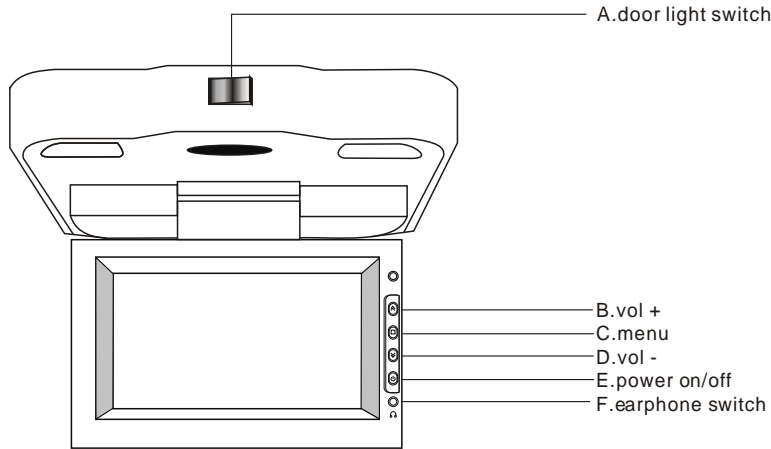


No.1 Quality

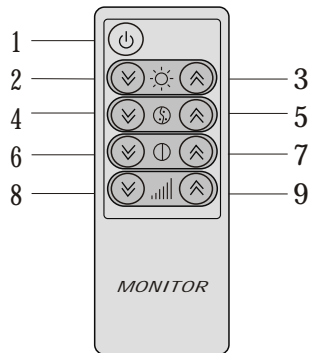


Panel

- A. Turn on the door light
- C. Active the menu
- E. LCD On/Off

- B. Positive adjustment
- D. Negative adjustment
- F. Earphone jack

Remote control



- 1. Power On/Off
- 2. Brightness -
- 3. Brightness +
- 4. Colour -
- 5. Colour +
- 6. Contrast -
- 7. Contrast +
- 8. Volume -
- 9. Volume +

Specifications

| | |
|---------------------------|----------------------------|
| Screen Size: | 7.2inch |
| System: | NTSC |
| Power source/Consumption: | DC12V+/-10%, <700mA |
| Video Input: | Composition Video signal |
| Operating Temperature: | 0°C ~+45°C |
| Storage Temperature: | -10°C~+80°C |
| Display Method: | Color LCD |
| Resolution(HXV): | 640×840 |
| Back light: | Cold Cathode Filament Tube |

Cautions

- Never connect the car adaptor to cigarette lighters for such as trucks or buses which use 24VDC power.
- Do not expose the monitor to high humidity, dust, steam, oily smoke, direct sunlight etc..
- For your safety, turn power OFF when not in use and unplug the adaptor.
- Never attempt your own maintenance. Consult your TV dealer or the company.
- Avoid dropping and strong impact.
- For your safety, the driver should not watch the TV or operate the controls while driving.

Accessories

- 1×monitor
- 1×Remote controller
- 1×instruction manual

WARNING:

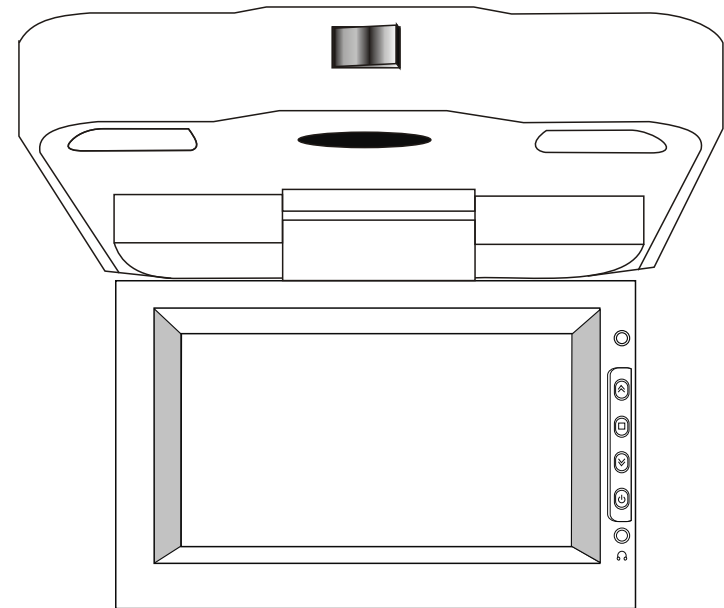
**DO NOT WATCH T.V. WHILE VEHICLE IN MOTION
IT CAN BE HAZARDOUS**

OWNER'S MANUAL

7.2" ROOF MOUNT TFT LCD MONITOR



www.pyramidcaraudio.com



MV7RM

PYRAMID



YOU'RE NOW READY FOR MORE FUN ON THE ROAD THAN EVER BEFORE