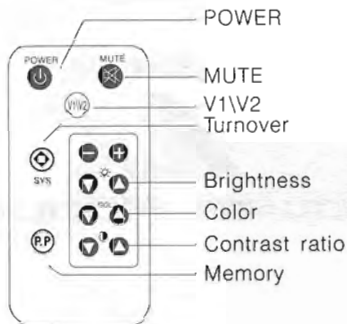


Adjustable Universal Headrest

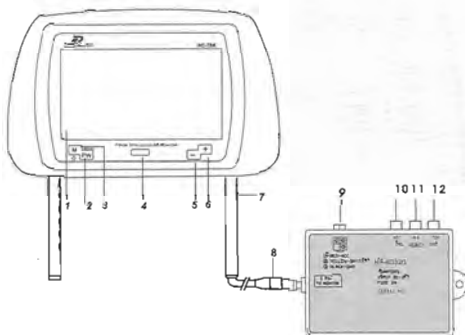
HD-7BG (Beige) HD-7BK (Black) HD-7GR (Gray)

**“A” GRADE SCREEN CONSTITUTE NO MORE THAN 3 MIXING PIXELS
YOU’RE NOW READY FOR MORE FUN ON THE ROAD THAN EVER BEFORE**

- Please read the manual in detail before using this product.
- This product is made of precision components, keep it away from moisture.



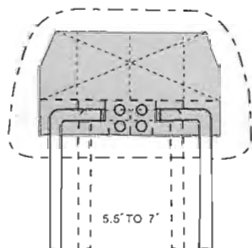
Structure



1. Color Lcd Screen
 4. Remote Control
 7. Stainless steel
 10. VIDEO In1

2. Power On/off Key
 5. Down
 8. Monitor Connector
 11. VIDEO In2

3. Menu Key
 6. Up
 9. DC 12V
 12. VIDEO OUT



You may adjust the stainless steel by adjusting the tube until the headrest indicator can fit on the back seat. (Maximum adjustment width is 4CM)

Installation instructions

- 1.Remove the headrest from the seat.
- 2.Replace the headrest monitor, You may adjust the stainless steel adjusting tube until the headrest monitor can be easily fitted into the seat. (Maximum adjusting width is 4cm)
- 3.The electric circuit of the headrest monitor can be connected easily. You can connect it to the 12V power of the car. (Red to +, Black to -), then connect the Video's signal from your driving source.
- 4.After you correctly install the headrest monitor, press the on/off, Power button to make sure it's getting power and video signal. You may need to adjust Brightness, Contrast and Color.

SPECIFICATION:

System Type:NTSC/PAL

Resolution: 480 X 234 X RGB

Power Supply: + 12V

Power: 6 W

Usage Environment: -20 C to + 50 C