

Component Video with Digital Audio to HDMI Converter

CPNTA2HDMI



CONVERGEAV

StarTech.com
Making hard-to-find easy!

FCC Compliance Statement

This equipment has been tested and found to comply with the limits for a Class B digital device, pursuant to part 15 of the FCC Rules. These limits are designed to provide reasonable protection against harmful interference in a residential installation. This equipment generates, uses and can radiate radio frequency energy and, if not installed and used in accordance with the instructions, may cause harmful interference to radio communications. However, there is no guarantee that interference will not occur in a particular installation. If this equipment does cause harmful interference to radio or television reception, which can be determined by turning the equipment off and on, the user is encouraged to try to correct the interference by one or more of the following measures:

- Reorient or relocate the receiving antenna.
- Increase the separation between the equipment and receiver.
- Connect the equipment into an outlet on a circuit different from that to which the receiver is connected.
- Consult the dealer or an experienced radio/TV technician for help.

Use of Trademarks, Registered Trademarks, and other Protected Names and Symbols

This manual may make reference to trademarks, registered trademarks, and other protected names and/or symbols of third-party companies not related in any way to StarTech.com. Where they occur these references are for illustrative purposes only and do not represent an endorsement of a product or service by StarTech.com, or an endorsement of the product(s) to which this manual applies by the third-party company in question. Regardless of any direct acknowledgement elsewhere in the body of this document, StarTech.com hereby acknowledges that all trademarks, registered trademarks, service marks, and other protected names and/or symbols contained in this manual and related documents are the property of their respective holders.

Table of Contents

Introduction	1
Features	1
Package contents	1
System Requirements	1
Operating Controls and Functions	2
Front Panel	2
Rear Panel.....	2
Connection and Installation	3
Specifications	4

Introduction

Convert analog component video (YPbPr and YCbCr) and audio (digital or analog) to HDMI! Supporting resolutions of up to 1080p, and 5.1 channel audio, the Converge AV Component with Audio to HDMI Format Converter is extremely simple to install and configure to get the input signal you want from your source equipment.

Features

- Consolidates YPbPr/YCbCr video and Toslink digital audio into a single HDMI connection
- HDMI 1.2 compliant
- Supports display resolutions of up to 1920 x 1080 (60Hz)

Package contents

This package should contain:

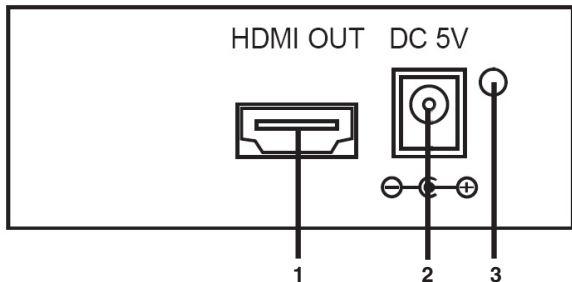
- 1 x YPbPr/YCbCr video and Toslink digital audio
- 1 x Power Adapter
- 1 x 3' (1m) RCA Audio Cable
- 1 x Instruction Manual

System Requirements

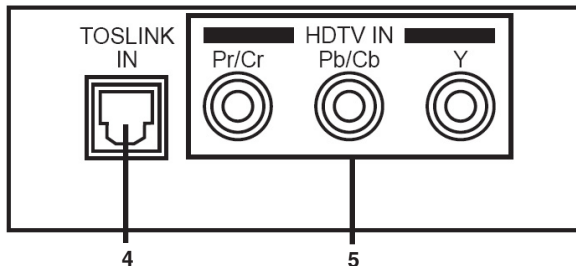
- A YPbPr/YCbCr video source
- A Toslink digital audio source
- An HDMI Cable
- An available power outlet

Operating Controls and Functions

Front Panel

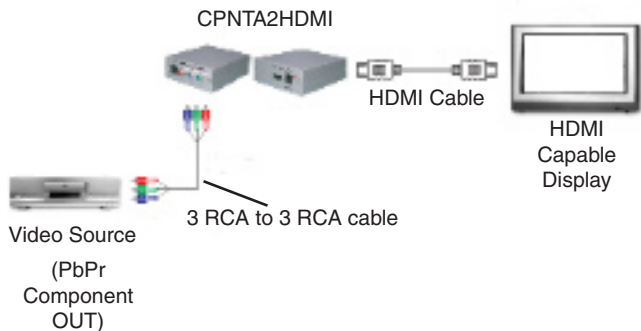


Rear Panel



- HDMI output connector:** Connect to the HDMI input of your display TV using HDMI cable
- DC power supply 5V(1A)**
- Power LED light**
- Toslink Digital Audio Input:** Connects to the Toslink output of your DVD or Set-Top-Box
- Analog YPbPr/YCbCr Input Connector:** Connects to the YPbPr or YCbCr output of your DVD or Set-Top-Box.

Connection and Installation



Specifications

HD Input	Analog YCbCr/YPbPr through 3 RCA Connectors
Input Signal	1 Vp-p 75 Ω , Cb/Cr or Pb/Pr:0.7Vp-p, 75 Ω
Audio Input	Digital Toslink
Input/Output Resolutions	HD: 480i, 480p, 720p, 1080i, 1080p@60Hz, 576i, 576p, 720p, 1080i, 1080p@50Hz 1080p @30Hz 1080p @25Hz 1080p @24Hz
Power	5V (1A) Center Positive
Product Dimensions	76 x 30 x 105mm (W x H x L)

Technical Support

StarTech.com's lifetime technical support is an integral part of our commitment to provide industry-leading solutions. If you ever need help with your product, visit www.startech.com/support and access our comprehensive selection of online tools, documentation, and downloads.

Warranty Information

This product is backed by a one-year warranty. In addition, StarTech.com warrants its products against defects in materials and workmanship for the periods noted, following the initial date of purchase. During this period, the products may be returned for repair, or replacement with equivalent products at our discretion. The warranty covers parts and labor costs only. StarTech.com does not warrant its products from defects or damages arising from misuse, abuse, alteration, or normal wear and tear.

Limitation of Liability

In no event shall the liability of StarTech.com Ltd. and StarTech.com USA LLP (or their officers, directors, employees or agents) for any damages (whether direct or indirect, special, punitive, incidental, consequential, or otherwise), loss of profits, loss of business, or any pecuniary loss, arising out of or related to the use of the product exceed the actual price paid for the product. Some states do not allow the exclusion or limitation of incidental or consequential damages. If such laws apply, the limitations or exclusions contained in this statement may not apply to you.



StarTech.com has been making "hard-to-find easy" since 1985, providing high quality solutions to a diverse IT and A/V customer base that spans many channels, including government, education and industrial facilities to name just a few. We offer an unmatched selection of computer parts, cables, A/V products, KVM and Server Management solutions, serving a worldwide market through our locations in the United States, Canada, the United Kingdom and Taiwan.

Visit **www.startech.com** today for complete information about all our products and to access exclusive interactive tools such as the Cable Finder, Parts Finder and the KVM Reference Guide. StarTech.com makes it easy to complete almost any IT or A/V solution. Find out for yourself why our products lead the industry in performance, support, and value.