



Ez-Electric Screen

Spectrum/Vmax(Plus) Series

Ver. 1.5

Users Guide



*Also available in Black casing



Important safety and warning precautions

1. Be sure to read this manual before use and follow the procedures specified:
 - ☆ Please retain this manual for future reference.
 - ☆ To avoid any damage, do not use any accessories not recommended by the manufacturer.
 - ☆ Handle the device carefully during transportation to avoid impact.
 - ☆ Do not put the device on uneven or inclined surfaces.
 - ☆ Do not put heavy objects on the power cord; affix the power cord properly to avoid someone tripping over it.
 - ☆ Never overload the power cord to prevent electrical shock or fire.
 - ☆ Guard the device from any liquid or foreign object to avoid electrical shock or fire due to loose contact or short circuit.
2. If any accessories need to be replaced, be careful to avoid short circuit.
3. There are no user serviceable parts in the device. Nobody except authorized technicians can open this device. To prevent the risk of electrical shock or fire, protect against moisture and rain.

Make sure that the power source this device is connected to has a continuous power flow.

The rating label on the product indicates the rated voltage.

Do not handle the power plug when your hands are wet or your feet are in contact with water.

4. Do not use this device under the following circumstances:
 - 1) Disconnect the power cord under the condition of heavy wind, rain, thunder or lightning.
 - 2) Avoid direct sunshine, rain shower or moisture.
 - 3) Keep away from fire sources and high temperature to prevent this device from overheating.
 - 4) Cut off the power supply first before transportation or maintenance.



Warning

Individual modifications to this product are prohibited and will void the user's warranty. Please contact the Service Department for any questions.

NOTE:

This equipment has been tested and found to comply with the limits for a Class B digital device, pursuant to Part 15 of the FCC Rules.

These limits are designed to provide reasonable protection against harmful interference in a residential installation. This equipment generates uses and can radiate radio frequency energy and, if not installed and used in accordance with the instructions, may cause harmful interference to radio communications.

However, there is no guarantee that interference will not occur in a particular installation. If this equipment does cause harmful interference to radio or television reception, which can be determined by turning the equipment off and on, the user is encouraged to try to correct the interference by one or more of the following measures:

To ensure safe and reliable operation, direct connection to a properly grounded power source is advised.

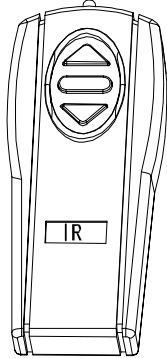
The power outlet supplying power to the unit should be close to the unit and easily accessible

Reorient or relocate the receiving antenna.

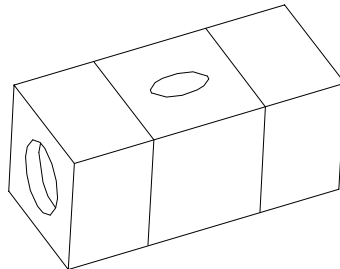
- ✎ Increase the separation between the equipment and receiver.
- ✎ Connect the equipment into an outlet using a circuit different from to where the receiver is connected
- ✎ Consult the dealer or an experienced radio/TV technician for help.



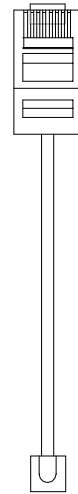
Accessory for Spectrum and VMAX2



IR

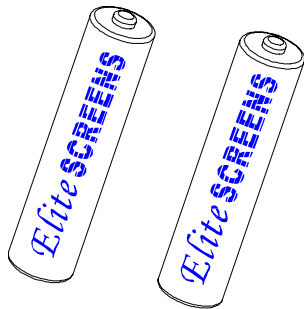


Bubble level

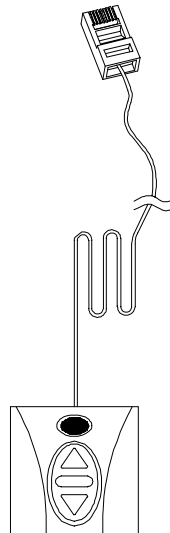


Eye receiver
(Optional for Spectrum)

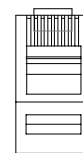
Please always point to the eye receiver when using the IR remote



Battery

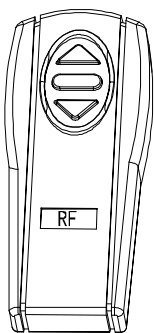


Wall box
(Optional for Spectrum)



Red 12V | Green 0V

12V trigger cable



RF(for VMAX2 only)

Note: Contact your reseller for optional accessories or visit shop.elitescreens.com for accessory purchase.



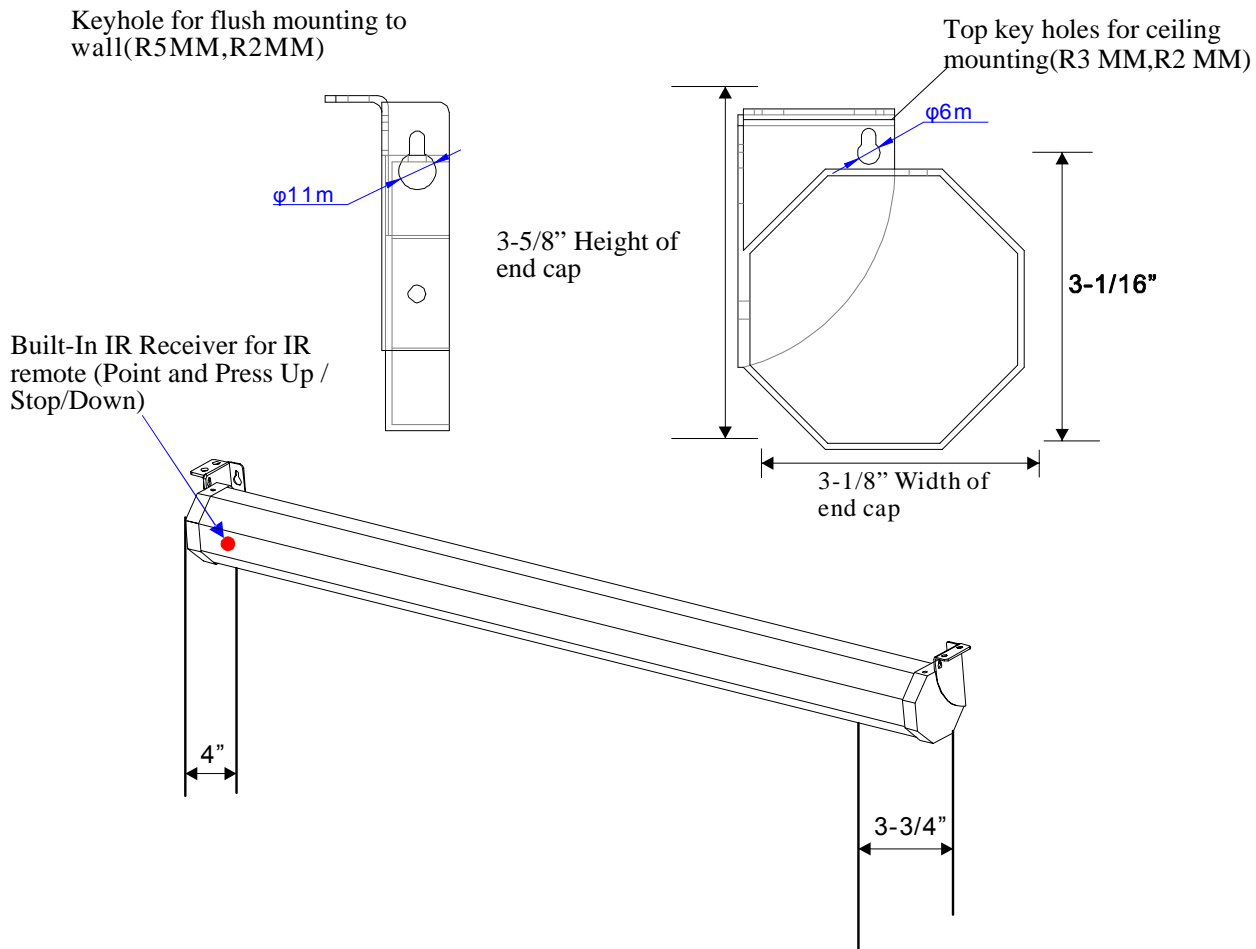
VMAX2 & Spectrum Series

IMPORTANT SAFETY INSTRUCTIONS

1. Position the power cord so it will not be; near a hot surface, pulled at or tripped over.
2. To avoid suffering an electric shock, do not attempt to disassemble this appliance yourself. In the event of technical trouble, please contact Elite Screens service dept. for help with repairing your screen.
3. Please disconnect the power supply when screen is not in use for a long period of time as should be done with any other electric household appliance.
4. To avoid possible injury and/or an electric shock, do not attempt to use the screen if there is obvious damage or the presence of broken parts.

PRE - I NSTALLATION

1. Carefully unpack the screen.
2. Always handle the screen in a leveled position on a clean surface.
3. In order to protect the screen from exposure to stains, keep the screen out of contact with foreign particles such as dust, sawdust and liquids.





INSTALLATION 1

1. Select the location for your screen within a reasonable angle of projection for your home projector and access to a good power source.
2. For the best support of your screen, it is ideal to secure your screen into the studs of your house's internal framework. If studs are not available, use hollow anchors for mounting your wall-screws in drywall or if you are installing in a concrete structure, use the concrete bolts for securing your screen into concrete walls. **(Always Consult Installer or Hardware Store for the correct screws)**
3. Make sure that the level is in perfect horizontal alignment with one another. Use wall/ceiling wood screws to secure to the wood studs. Use hollow wall anchors if mounting in drywall.
4. Position the washers to the head of the wall-screw. The washers give added stability by enabling to remain firmly anchored to the wall.
5. The screen casing is designed to accept the wall screws directly. If not using the **Optional L-bracket**, be sure to position the washer between the head of the wall-screw and the anchor slots on the projector casing.

NOTE:

Regardless of mounting method, screen should be securely supported so that vibration or even abusive pulling on the viewing surface will not cause case to work loose or fall. Installer must insure that fasteners used are of adequate strength and suitable for the mounting surface chosen.



INSTALLATION 2

1. Using a tape measure, mark the keyholes that are located at the back of the screen's case end cap.
2. After marking the area and predrilled hole, insert the screw and leave about 1/8" of an inch from the wall to mount the screen. **(Fig. 1)**

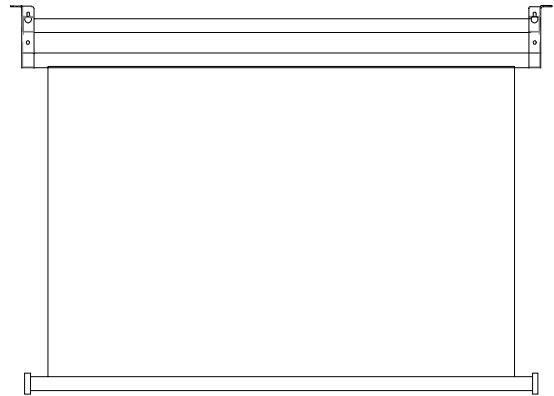
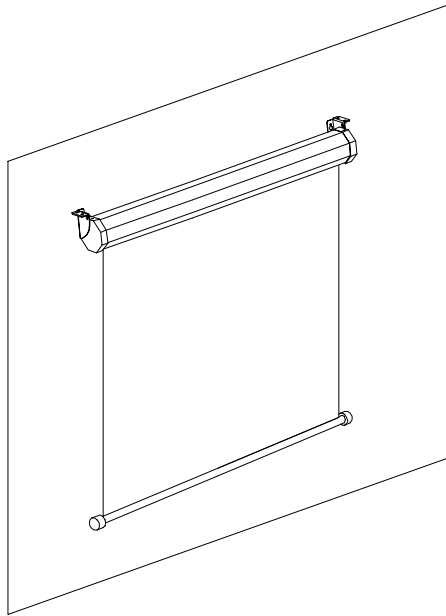


Fig. 1

Optional installation using a chain to hang the screen from the ceiling.

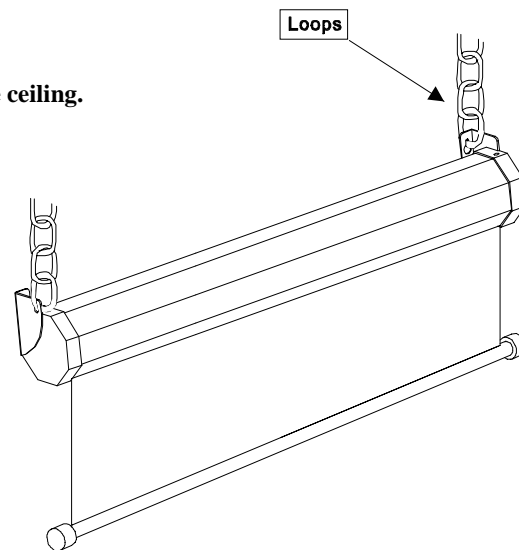
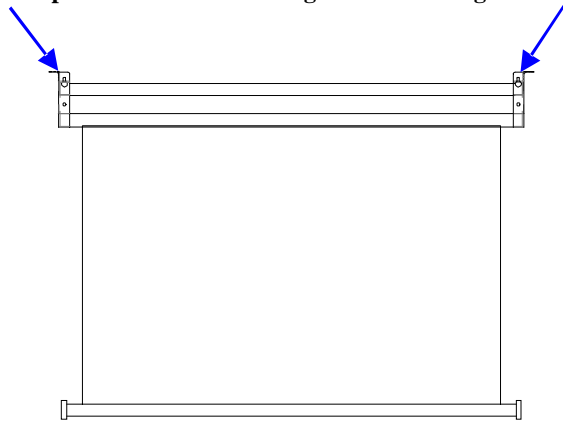


Fig. 2.

3. You can also hang the screen from a ceiling by using a chain with s-hooks (not included) and hang it by the keyholes located on each end of the case as shown on **(Fig. 2)**.



VMAX2/Spectrum optional accessories; The L-Brackets for Wall & Ceiling

Wood/Dry Wall installation: Use "B" wood screws provided for installation on wood studs on wall. Or use "E" hollow wall anchors provided in conjunction with the wood screws for drywall installation as shown on Fig. 1

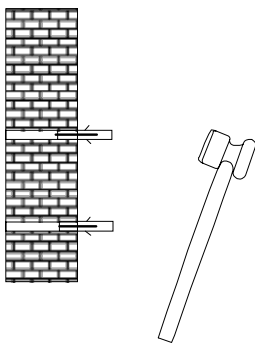
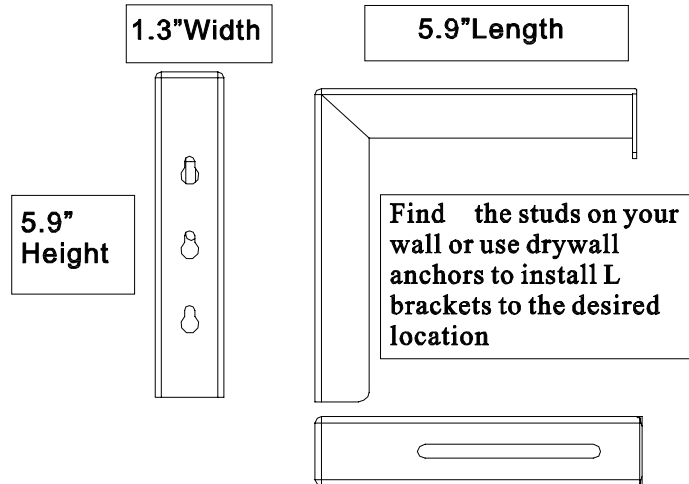


Fig. 1

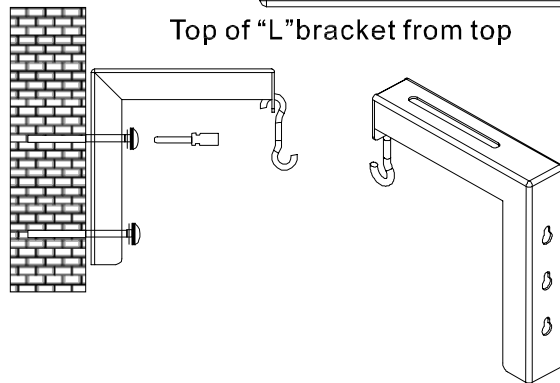
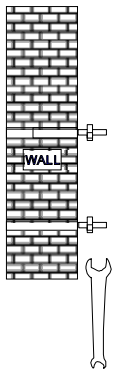
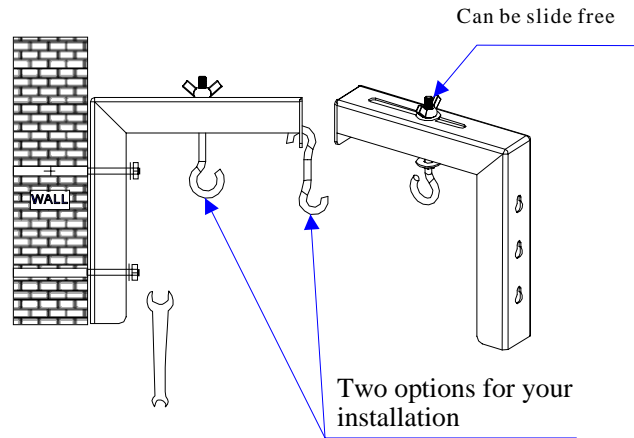


Fig. 2



Masonry/Cement wall installation: Use "D" bolts provided for installing your screen on a cement wall as shown on Fig. 2.



***Once the L-brackets are in place, the screen can be hung from the vertical hooks. Please note these are only examples and additional hardware may be required for your particular installation. Also, the screen can be hung directly on the wall screws or bolts without using the L-brackets at all.**

OPERATION



12-V Trigger

The VMAX2 and Spectrum Screens have the capability of using a 12-Volt Trigger. This accessory is optional for Spectrum Screens and can be purchased separately.

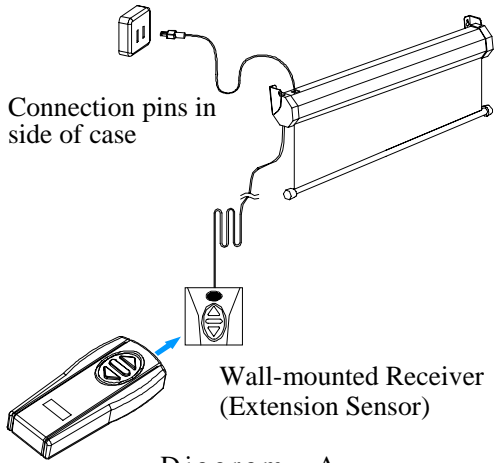


Diagram A
Transmitter Wall Box with IR Remote Control

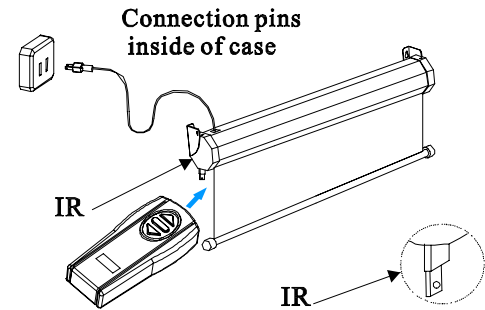
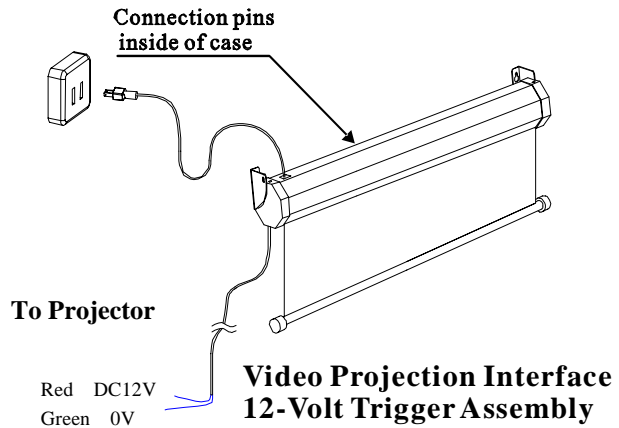
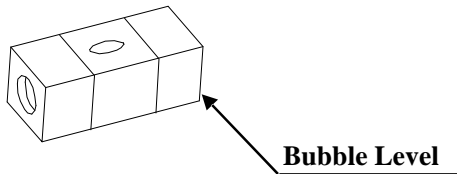


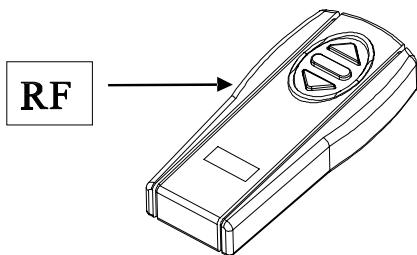
Diagram B
Transmitter Infrared "Eye" Sensor with IR Remote Control

- Bubble Level:** Included with the installation package is a small bubble level that can be useful in determining if the screen is perfectly level when installing.



- Below is the **RF** remote with a range of 30 Ft.

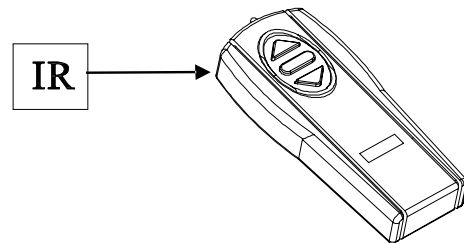
(Radio Frequency)
Note: When you get the optional RF, you should follow the instruction and adjust the code.



Radio Frequency Remote Control

- Below is the **IR** remote (Infra Red) with a range of 15 Ft.

(Infra Red)
Note: The light on this remote does not turn on when the buttons are depressed unlike the RF remote.



Infrared Remote Control



FAQ'S

1. Q: Why does my screen no longer function?

A: There are a few possible things you could check:

A.) Make sure your wall plug has power and that the screen is properly plugged in.

B.) Please check the fuse to y our screen. (Call Tech support for location of fuse)

C.) If screen works well with the line switch but not with the remote control, make sure the remote control has good batteries in it.

D.) Our electric screens with a tubular motor installed are equipped with a Thermal relay. This would include all Home (2, 3), Tension (1, 2, 3) series, and VMAX screens with a diagonal size above 180". This feature will automatically shut off screen in the event the motor becomes too hot, preventing overheating of the motor. To correct this, let screen alone for 10-15 minutes and try again.

2. Q: How is the screen material cleaned?

A: The screen material can be cleaned with mild soap and water.

3. Q: What type of batteries do the remote controls require?

A: The IR and RF remote controls use AAA alkaline batteries

4. Q: Can you manually pull down the screen?

A: No, manually pulling down the screen will damage the electronic motor rolling system.

5. Q: How could I setup my Screens IR receiver to work with my learning remote control system? Do you have any IR codes I can use to achieve this?

A: Our IR remote controls have been evaluated and entered in to the databases of some Universal remote control manufacturers. Please contact the manufacturer of your remote to inquire about your remotes ability to function with ours. If they have not evaluated our remote control then the following list of Binary codes will be used for most remote setups.

For Spectrum, VMAX2 (Plus), Home2(3) and Tension2(3) Series

Up: 1111 0000 0001

Stop: 1111 0000 0010

Down: 1111 0000 0100

6. Q: What is the gain on the matte white screen material?

A: The matte white material has a gain of 1.1. For detailed specs, info please check our web-site for more detail

Note: For more Update FAQ, please visit www.elitescreens.com



Warranty Policy -Electric Screens

- Two (2) year warranty parts and labor from purchase date as follows (except for refurbished units as specified below):
- Refurbished units carry a 90-day parts and labor warranty.
- Demo units or open box items are AS IS items and do not carry a warranty.
- Each party will be responsible for one way shipping during the warranty period.
- DOA (Defective On Arrival): Must be reported within 7 business days of receipt. An RMA (Return Merchandise Authorization) number must be issued in order to process a replacement. Elite Screens will replace the DOA (Defective On Arrival) unit with a brand new replacement *(see exceptions below) after the DOA unit is received and/or confirmed defective. Once the product is received, Elite Screens will send out a new* unit to the customer by ground service (based on stock availability). Should a problem be reported after the 7-day grace period, the item must be shipped to u for warranty repair.
- Missing Parts must be reported within the 7-day (DOA) grace period. If reported after 7 days, customer will be only responsible for shipping and handling fees. If reported after 30 days of receipt, customer is responsible for cost of the parts and shipping & handling fees.

Please visit link below for full warranty information
[Http://www.elitescreens.com/service.htm](http://www.elitescreens.com/service.htm)

Please visit link below for warranty claim
[Http://www.elitescreens.com/service_form.htm](http://www.elitescreens.com/service_form.htm)

*A new or refurbished replacement will be sent out to the customer depending on the type of purchase (new or refurbished) or based on stock availability.



REGISTER YOUR ELITE PRODUCT

Two ways to register your warranty with Elite Screens

A. On Line (Faster and Easier) www.elitescreens.com/register.html

B. Fill out & Fax to (562) 483-8498, Attn: Customer Service Dept.

*Your Name: _____

Address: _____

City/State/Zip _____

*Email Address: _____

*Phone: _____

*Screen Model: _____

*Serial Number: _____

*Date of Purchase: _____

*Dealer / Reseller Purchased from (name of the reseller): _____

What is your Projector Model: _____

Application: ___ Home ___ Education ___ Corporation ___ Government

___ Others

How would you rate this screen? ___ Excellent ___ Good ___ Ok ___ Improvement needed

Comments:

If you have pictures of your screen you'd like to share with us, please email your pictures to:

Eliteinfo@elitescreens.com

Or call us at 877-511-1211 Sales and Marketing Div.

For any technical inquiries, please email to techsupport@elitescreens.com or 877-511-1211 Customer Service Div

For any warranty claim inquires, please email to rma@elitescreens.com or 877-511-1211 Customer Service Div.