

BMW DVD Rear Seat Entertainment System

For your driving enjoyment.



This page will be blank (inside front cover)



Important Safety Precautions

This manual provides important information that will help you safely operate the BMW DVD Rear Seat Entertainment System. Please read it completely before using the system. Failure to follow the cautions or instructions in this manual could result in a severe personal injury accident and/or damage to the system.

It is always important to operate your vehicle in a safe manner and to avoid distractions while driving. Under certain driving conditions, you may need to turn the Rear Seat Entertainment System 'OFF' to avoid distraction and to focus all of your attention on the driving task.

Do not operate any function that diverts your attention from safely driving your vehicle. Any function that requires your prolonged attention should only be performed after coming to a complete stop in a safe location.

Maintain audio volume at a level where you can still hear outside sounds while driving. Failure to do so may result in an accident, or failure to hear emergency vehicles.

To avoid draining the vehicle battery, do not operate the system more than 15 minutes without starting the engine.

Halt use immediately if a problem occurs. Failure to do so may cause personal injury or damage to the product. Return to the nearest BMW Center for repair.

Welcome

Congratulations on your purchase! BMW's DVD Rear Seat Entertainment System is a sophisticated product designed to provide many hours of video enjoyment for rear seat passengers.

Thorough review of this owner's manual prior to operation will provide the best performance and help explain the simple requirements for proper care.

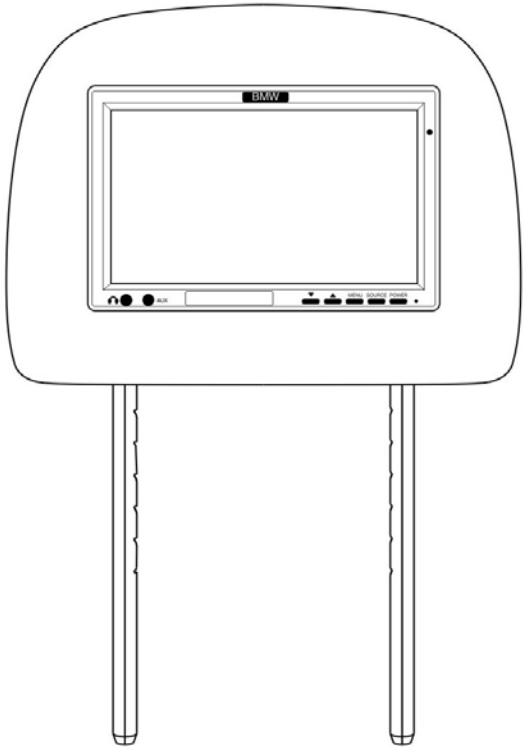
BMW of North America, LLC

Note: Due to the expertise required to properly install BMW's DVD Rear Seat Entertainment System, BMW highly recommends that a BMW Center perform the installation. Proper wiring, component placement, and adjustment are essential for optimum system performance.

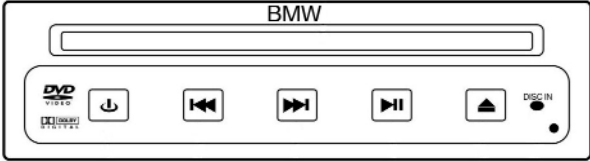
Table of Contents

Important Safety Precautions	1	DVD Basic Operation	21-33
Welcome	2	DVD Advanced Operation	34-41
Table of Contents	3	System Remote Control Layout and Operation	42-49
System Description	4-5	Headphone Control Layout and Operation	50-53
Quick Reference Guide	6	Optional Accessories	54
Monitor Control Layout	8-9	Troubleshooting	55-58
Monitor Operation	10-19	Care and Maintenance	59
DVD Control Layout	20	Specifications	60-61

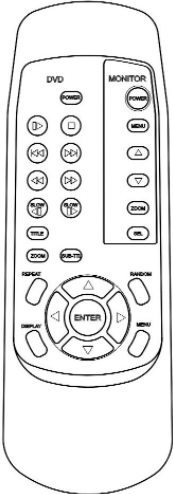
System Description



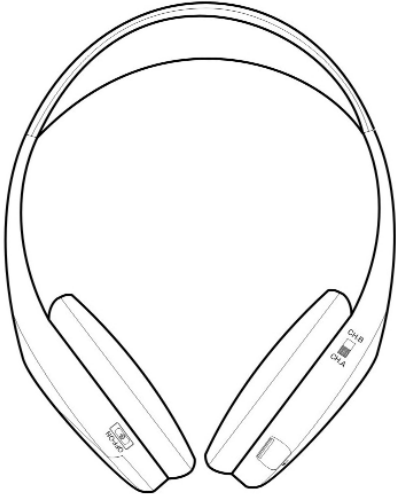
Head Restraint
with LCD



DVD Player



System Remote
Control



Infrared Wireless
Headphones

System Description

The BMW DVD Rear Seat Entertainment System consists of the following:

- **Head restraints with wide-screen 7" LCD Monitors (x2)**
- **DVD Player**
- **Wireless System Remote Control**
- **Infrared Wireless Headphones (x2)**
- **Owner's manual**

Quick Reference Guide

Following these steps will allow quick access to the functions of BMW's DVD Rear Seat Entertainment System.

Please refer to complete Owner's Manual for additional and more detailed information.

1. Turn vehicle ignition key to Position 1 (Steering Unlocked), Position 2 (Ignition ON), or Position 3 (Engine Start).

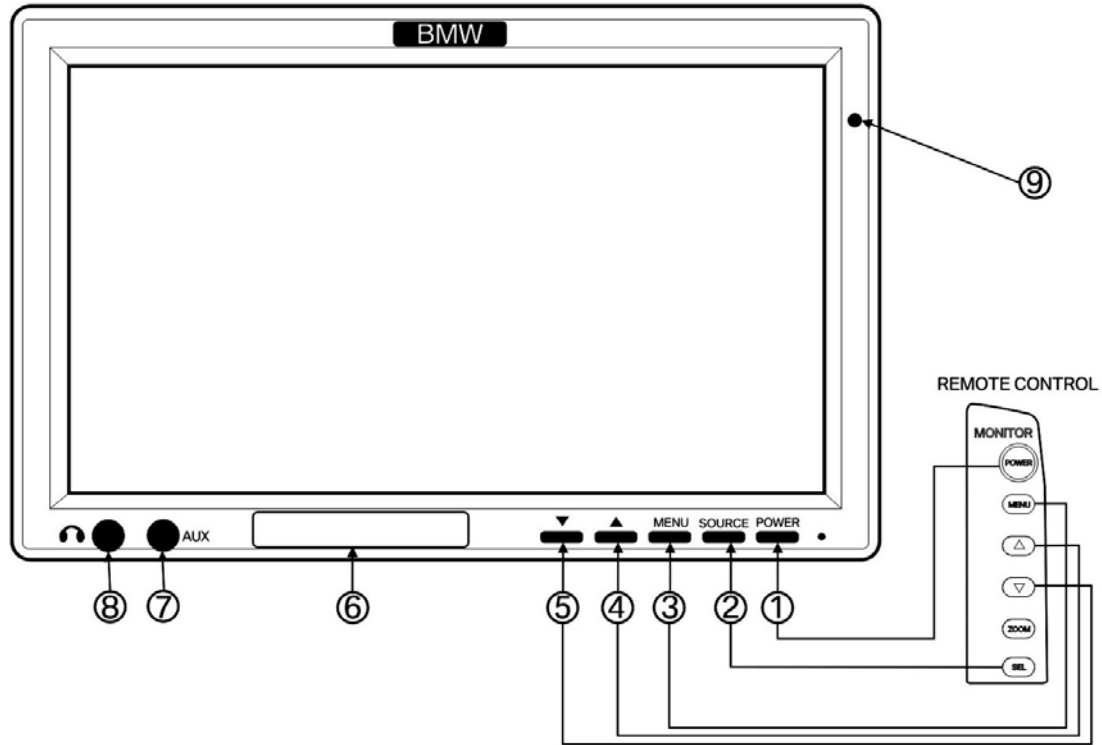
Note: System will not function in vehicle ignition key Position 0 (Steering Lock).

2. Press **POWER** buttons on Monitors. (Red LEDs located adjacent to the power buttons will illuminate.) Monitors may also be switched 'ON' using the Monitor **POWER** button on System Remote Control. (Refer to page 43, Figure 1, 'Monitor **POWER**')
3. Press Audio/Video **SOURCE** button on Monitors until 'AV 1' mode is selected, (Refer to page 9, Figure 2, 'Audio/Video **SOURCE**') The 'SEL' button on System Remote Control may also be used to change sources. (Refer to page 43, Figure 2, '**SEL**')

4. Press **POWER** button on DVD Player. (Control button backlighting will be illuminated.) DVD Player may also be switched 'ON' using the DVD **POWER** button on System Remote Control. (Refer to page 45, Figure 11, 'DVD **POWER**')
5. Insert DVD into DVD Player in center console if a disc is not currently loaded. (Refer to page 21, Figure 10, 'Loading Discs')
6. Press **PLAY** button on System Remote Control to start DVD play. (Refer to page 45, Figure 14, '**PLAY/PAUSE**')
7. Press **POWER** buttons on headphones. Set headphone channel A/B as appropriate. (Refer to page 51 'Headphones Control Layout and Operation')

Notes

Monitor Control Layout



Monitor Control Layout

1 POWER

2 SOURCE (SEL on System Remote Control)

AV 1 (DVD Player)

AV 2 (Monitor AUX Input)

AV 3 (Optional Global AUX Input Jack)

3 MENU

- CONTRAST
- BRIGHTNESS
- COLOR
- TINT
- SHARPNESS
- Screen MODE
(**ZOOM** on System Remote Control)
 - WIDE SCREEN
 - ZOOM SCREEN
 - NORMAL SCREEN
- RESET DEFAULT

4 s (UP)

5 t (DOWN)

6 INFRARED LED TRANSMITTER

(for wireless headphones)

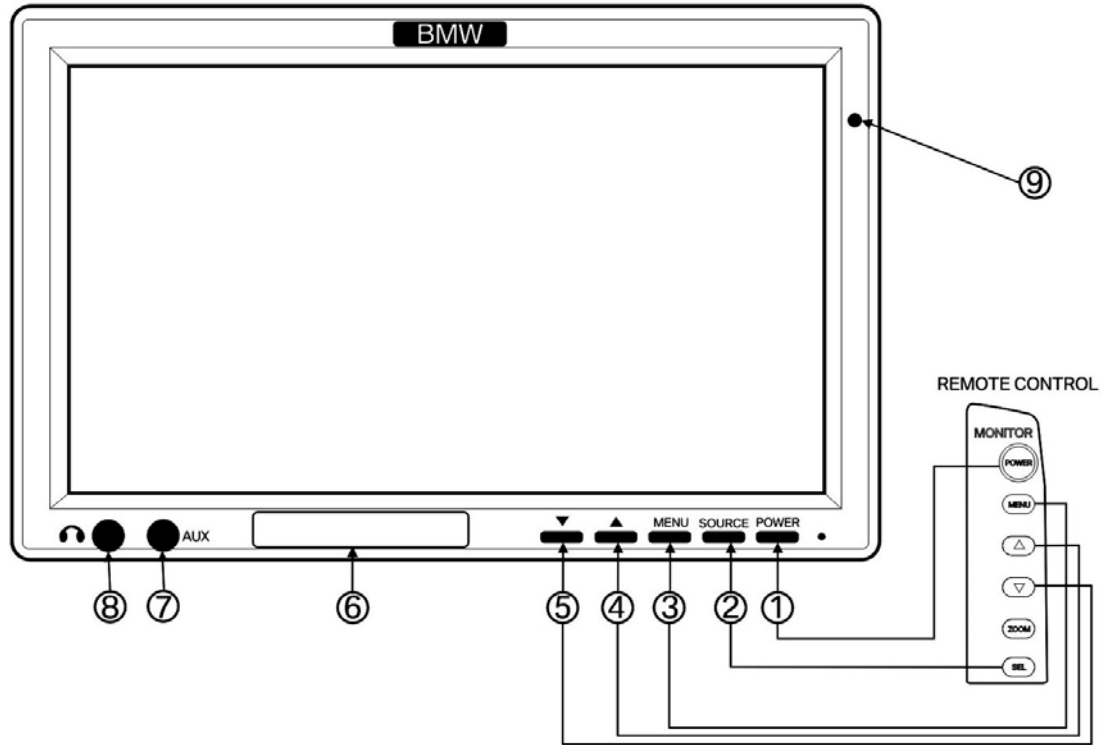
7 AUX Input Jack (AV 2)

8 HEADPHONE JACK

9 INFRARED REMOTE SENSOR

(receives signals from System Remote Control)

Monitor Operation



Monitor Operation

Control function operations for the LCD Monitors are also controllable from corresponding buttons on the System Remote Control. Monitor control functions are displayed on-screen for 3 seconds when operated.

Notes:

- ***Under cold temperature conditions, monitors may lose contrast temporarily, however contrast will return to normal after a short warm-up period.***
- ***It is normal for a very small number of monitor's pixels to be off. This is unavoidable even with high precision manufacturing processes.***

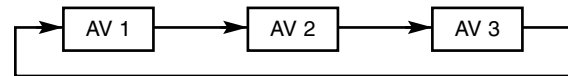
1 POWER – Switches Monitor 'ON/OFF' with vehicle ignition key in Position 1 (Steering Unlocked), Position 2 (Ignition ON) or Position 3 (Engine Start).

Performance Note:

Monitors may be adjusted by a BMW Center to default to one of three power start-up modes:

- 'SCREEN OFF' – Monitor will default to a power-off condition as vehicle is restarted.
- 'SCREEN ON' – Monitor will default to a power-on condition as vehicle is restarted.
- 'SCREEN AUTO' – Monitor will default to last power on/off condition that existed when vehicle was shut down. (SCREEN AUTO is factory-set power start-up mode.)

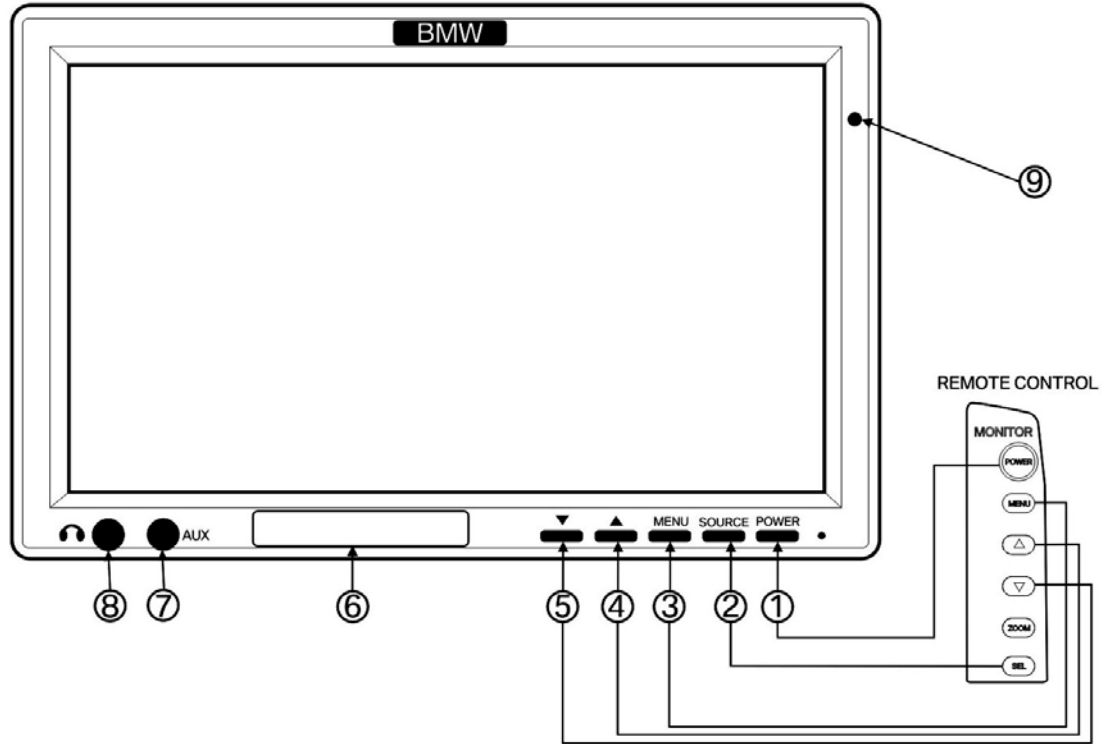
2 Audio/Video SOURCE – (Marked SEL on System Remote Control) Each monitor may be independently cycled between three audio/video sources:



Note: Audio/video sources must be compatible with standard NTSC composite video outputs

- AV 1 : DVD Player (vehicle mounted)

Monitor Operation



Monitor Operation

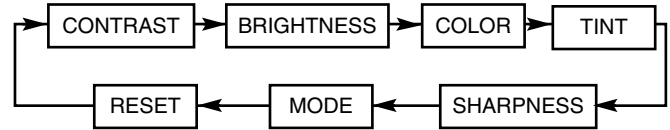
- AV 2 : Monitor **AUX** input jack (Figure 7). Permits viewing of auxiliary sources such as portable DVD players, game stations, video cameras, etc., on each individual monitor.

Note: Connection requires optional Auxiliary Input Adapter Cable, Part Number 84 11 0 392 065.

- AV 3 : Optional Global AUX input jack, (center console mounted). Permits viewing of auxiliary sources such as portable DVD players, game stations, video cameras, etc., on each monitor individually, or both monitors simultaneously.

Note: Connection requires optional AV 3 Global Auxiliary Input Jack, Part Number 84 11 0 392 068, and Auxiliary Input Adapter Cable Part Number 84 11 0 392 065.

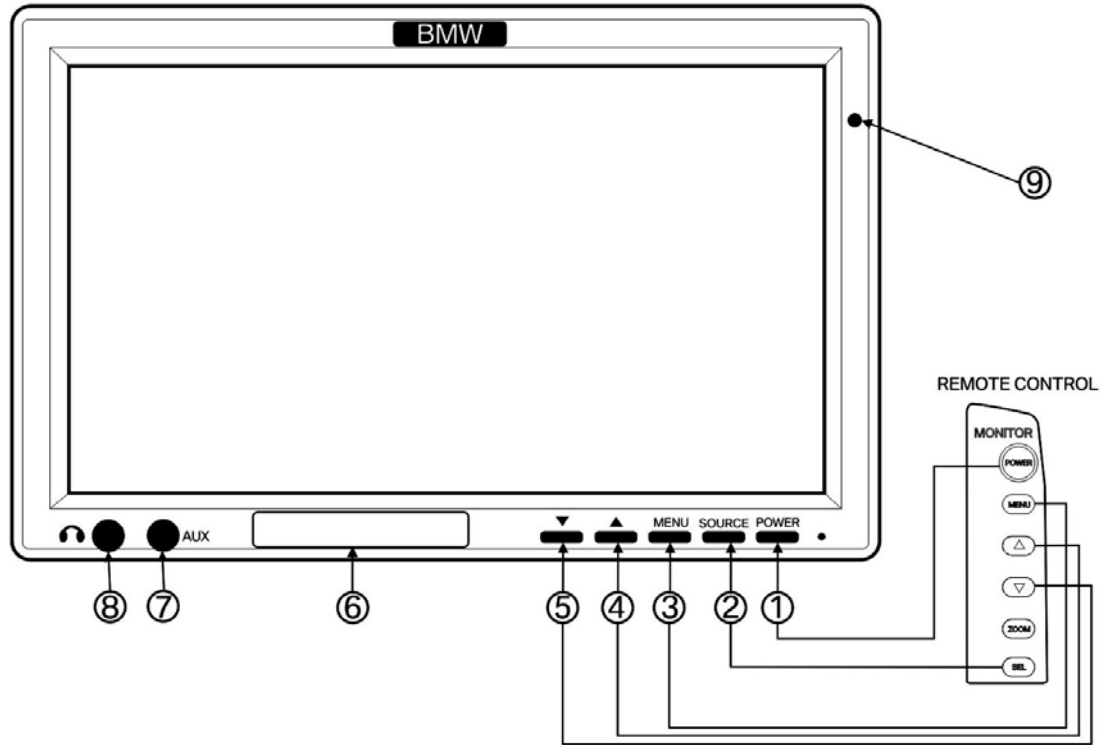
3 Monitor MENU – Cycles between basic Monitor control functions:



Adjust by pressing the Monitor **DOWN** or **UP** buttons:

- **CONTRAST:** Adjusts picture contrast.
- **BRIGHTNESS:** Adjusts picture brightness.
- **COLOR:** Adjusts picture color balance.
- **TINT:** Adjusts picture tint.
- **SHARPNESS:** Adjusts picture sharpness.

Monitor Operation



Monitor Operation

- **SCREEN** – (Monitor ZOOM on System Remote Control).
 - o **WIDE SCREEN:** Expands a 'Full Frame' formatted DVD to fit entire monitor. Proportionally stretches a 'Widescreen' formatted DVD to fit the entire width of monitor, (leaving black stripes at top and bottom of the monitor).
 - o **ZOOM SCREEN:** Expands a 'Full Frame' formatted DVD (4:3) to fit entire monitor by stretching only left and right side video information. Similarly stretches a 'Widescreen' formatted DVD, (leaving black stripes at top and bottom of the monitor).
 - o **NORMAL SCREEN:** Displays any format DVD without modification. Playing a 'Full Frame' formatted DVD will show black stripes at left and right sides of the monitor. Playing a 'Widescreen' formatted DVD will show black stripes on all sides of the monitor.

Note: *Thickness of black stripes displayed will vary according to the aspect ratio the original theatrical release was recorded in.*

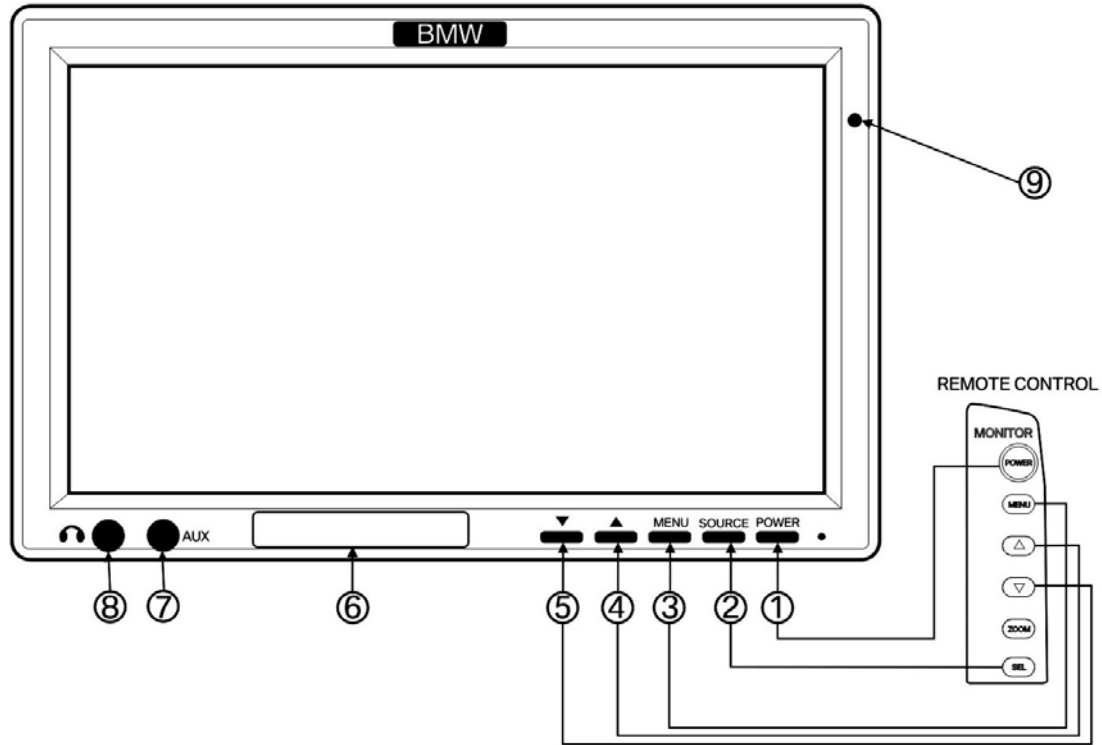
Performance Note:

To have a 'Full Frame' formatted DVD fill the entire monitor, set SCREEN (Monitor ZOOM on System Remote Control) to WIDE SCREEN or ZOOM SCREEN according to preference.

To have most 'Widescreen' formatted DVDs fill the entire monitor, set SCREEN (Monitor ZOOM on System Remote Control) to ZOOM SCREEN, and DVD ZOOM (on System Remote Control) to ZOOM 1 level. (Refer to page 47, Figure 23 'DVD ZOOM').

RESET DEFAULT – Resets all monitor control functions to default (center point) settings.

Monitor Operation



Monitor Operation

4 **s UP** - Two functions are accessible using this button on Monitor or System Remote Control:

- Increases volume for a universal wired head-phone (not supplied with system), plugged into monitor **HEADPHONE JACK** (Figure 8).
- When used in conjunction with Monitor **MENU** button (Figure 3), **s UP** button increases the selected control function.

5 **⌞ DOWN** - Two functions are accessible using this button on Monitor or System Remote Control:

- Decreases volume for a universal wired head-phone (not supplied with system), plugged into the monitor **HEADPHONE JACK** (Figure 8).
- When used in conjunction with Monitor **MENU** button (Figure 3), **⌞ DOWN** button decreases the selected control function.

6 **Infrared LED WINDOW** – Contains infrared light emitting diodes that transmit audio signals to the wireless headphones.

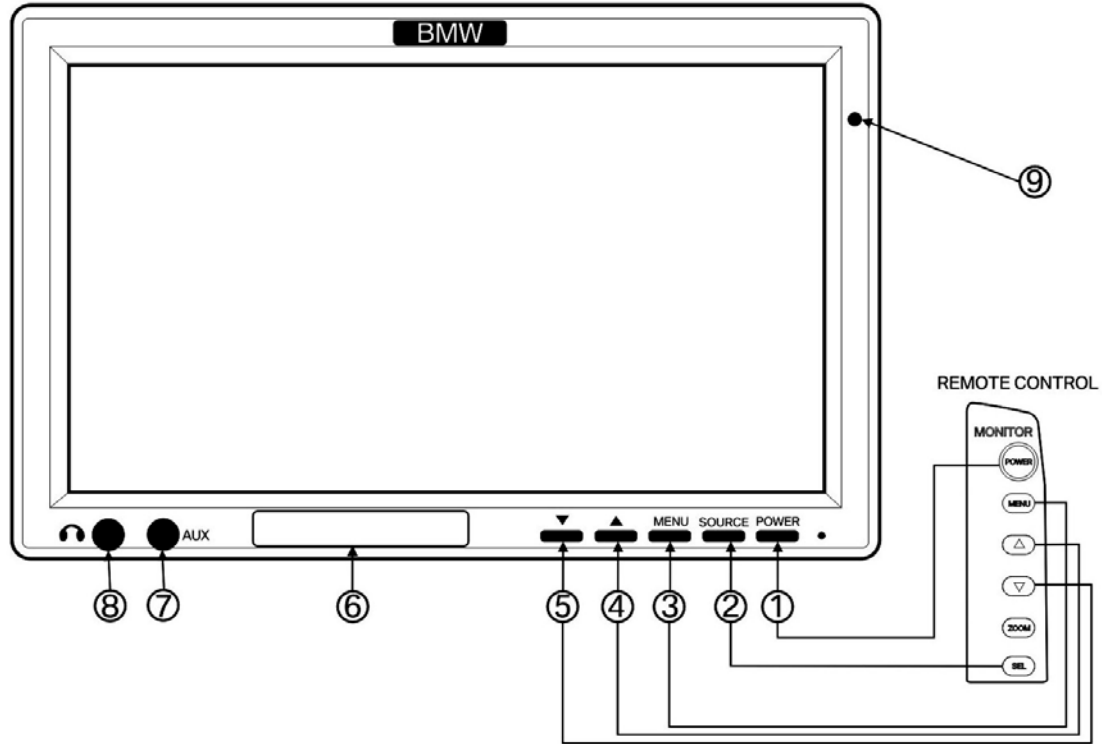
Performance Note:

IR transmission is a line-of-sight signal; therefore this window must remain unobstructed at all times. The LED's normally emit a soft red glow.

7 **A/V 2 AUX** Input Jack - Monitor-mounted auxiliary input jack permits viewing of auxiliary sources such as portable DVD units, game stations, video cameras, etc., on each individual monitor. Selectable using **SOURCE** buttons on Monitors, or **SEL** button on System Remote Control.

Note: Connection requires optional Auxiliary Input Adapter Cable, Part Number 84 11 0 392 065.

Monitor Operation



Monitor Operation

8 Wired HEADPHONE JACK – Permits connection of a universal wired headphone. Wired headphone volume is adjusted using s UP and t DOWN buttons (Figures 4 and 5).

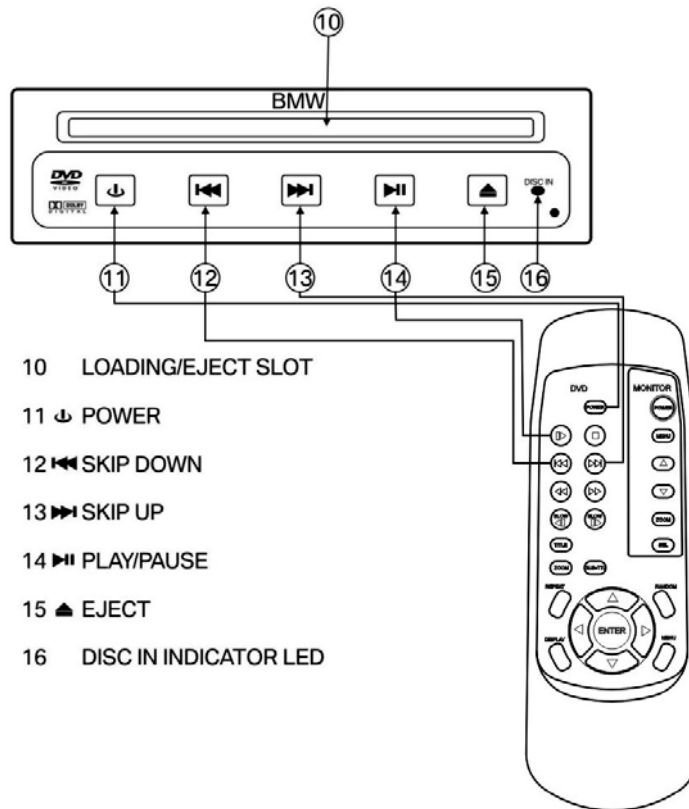
Note: Requires universal wired headphones with 3.5 mm stereo phone jack (not supplied with system).

9 INFRARED REMOTE SENSOR – Receives signals from System Remote Control.

Performance Note:

IR transmission is a line-of-sight signal; therefore this sensor must remain unobstructed at all times.

DVD Control Layout



DVD Operation (Basic)

System Remote Control or buttons on the face of DVD Player can control primary DVD functions. Advanced secondary control functions accessible only with System Remote Control are noted in the following section.

10 LOADING/EJECT SLOT

Loading Discs:

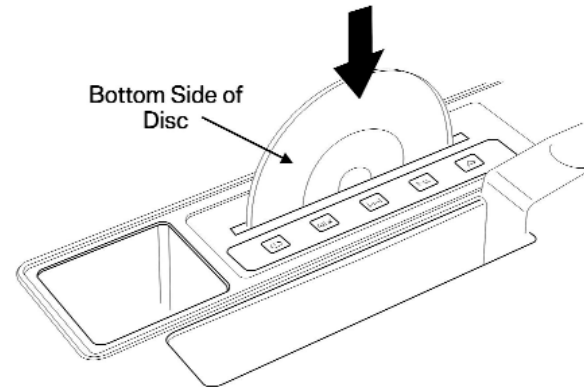
- Turn vehicle ignition key to Position 1 (Steering Unlocked), Position 2 (Ignition ON), or Position 3 (Engine Run).

Note: A disc may be inserted with vehicle ignition key turned to Position 0 (Steering Lock), by pressing EJECT button. After loading disc, the DVD Player will power 'OFF' automatically.

- Insert disc with printed side facing upwards, (towards passenger-seat). An on-screen error message of "BAD DISC" will be displayed if disc is inserted upside-down.

- Do not force discs into DVD Player. As disc is partially inserted, it is automatically drawn in and playback starts.

Note: For two-sided DVDs, play one side of disc, eject disc, turn it over, and reload to play second side.



- DISC IN indicator light on front of DVD Player illuminates as disc is loaded.

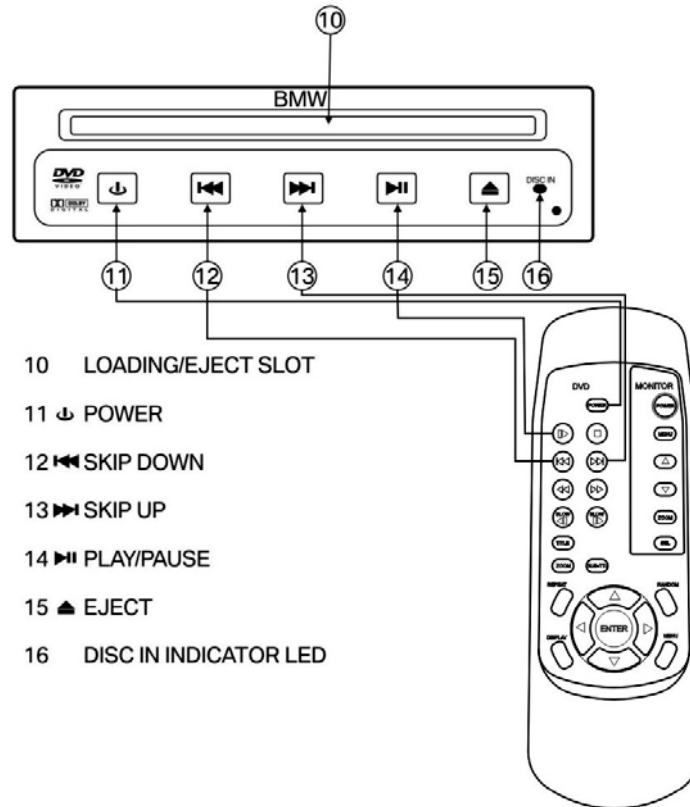
CAUTIONS:



- Inserting hands, fingers, or foreign objects in Disc insertion slot may result in personal injury or product damage.
- Do not attempt to insert more than one disc at a time.

CN1013887/D

DVD Operation (Basic)



- 10 LOADING/EJECT SLOT
- 11 ⏻ POWER
- 12 ⏮ SKIP DOWN
- 13 ⏭ SKIP UP
- 14 ⏪ PLAY/PAUSE
- 15 ▲ EJECT
- 16 DISC IN INDICATOR LED

DVD Operation (Basic)

Playable discs

Only discs listed below can be played on this DVD Player.

DVD-Video



Video-CD



CD-DA Audio CD



MP3 CD Audio on CD-R



- **DVD region number** (playable region number)
DVD Player will play any disc whose region number is 1 (or All). DVDs with a region number other than those shown below cannot be played on this DVD Player.



- **Video CDs**

DVD Player is compatible with playback control (PBC) compatible video CDs (version 2.0). 'PBC' is a function that permits users to access menu screens recorded on the disc to find specific scenes and view various types of information in dialog style.

- **Disc terminology**

Title: If titles are programmed for the DVD, these are the largest unit of division of information recorded on the disc.

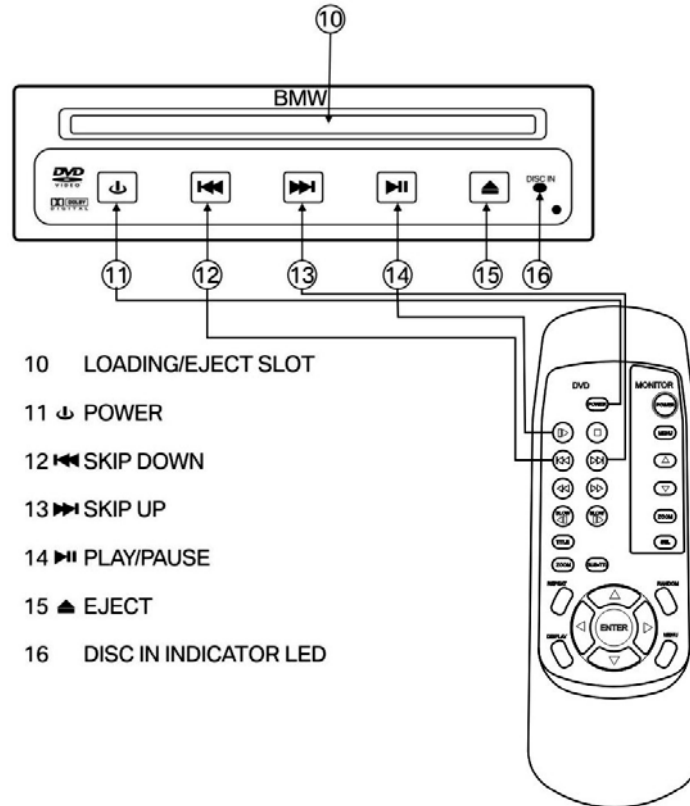
Chapter: Each Title may also be divided into smaller divisions called Chapters. These can be specific scenes or musical selections.

- **Discs that cannot be played:-**

DVD-ROMs, DVD-R/DVD-RAMs, CD-ROMs, non-MP3 CD-R/CD-RWs, photo CDs, etc.

Note: Many new Audio CDs have copy guard protection. DVD Player is not guaranteed to play discs with copy guard protection. If these discs do play, abnormal behavior may occur, such as some disc tracks not being listed.

DVD Operation (Basic)



- 10 LOADING/EJECT SLOT
- 11 ⏻ POWER
- 12 ⏮ SKIP DOWN
- 13 ⏭ SKIP UP
- 14 ⏪ PLAY/PAUSE
- 15 ▲ EJECT
- 16 DISC IN INDICATOR LED

DVD Operation (Basic)

CAUTIONS:



- *Attempting to play a cracked, warped, irregularly shaped, or damaged disc could severely damage DVD Player playback mechanism.*
- *Make sure discs inserted in DVD Player do not have irregularities. Outer and inner edges must be round and smooth. DVD Player automatically ejects discs with irregular surfaces as a protective measure to prevent jamming and mechanism damage. If a new disc inserted is ejected after initial loading; run a finger around inside of disc's center hole and outside edge to ensure outer and inner edges are round and smooth. Small bumps or irregularities could inhibit proper disc loading. To remove bumps, rub inside edge of the hole and disc's outside edge with the flat, curved, side of a ballpoint pen or other such instrument before reinserting disc.*
- *An on-screen error message of "BAD DISC" will be displayed if disc inserted cannot be read due to incorrect format, physical damage, or upside-down insertion.*

- 11 DVD POWER** - Switches DVD Player 'ON'/'OFF' with vehicle ignition in Position 1 (Steering Unlocked), Position 2 (Ignition 'ON') or Position 3 (Engine Run).

Note: *DVD Player will power itself 'OFF' if left idle for more than 5 minutes to help conserve system life.*

- 12 SKIP DOWN** - Return to beginning of currently playing chapter or track during playback or pause modes.

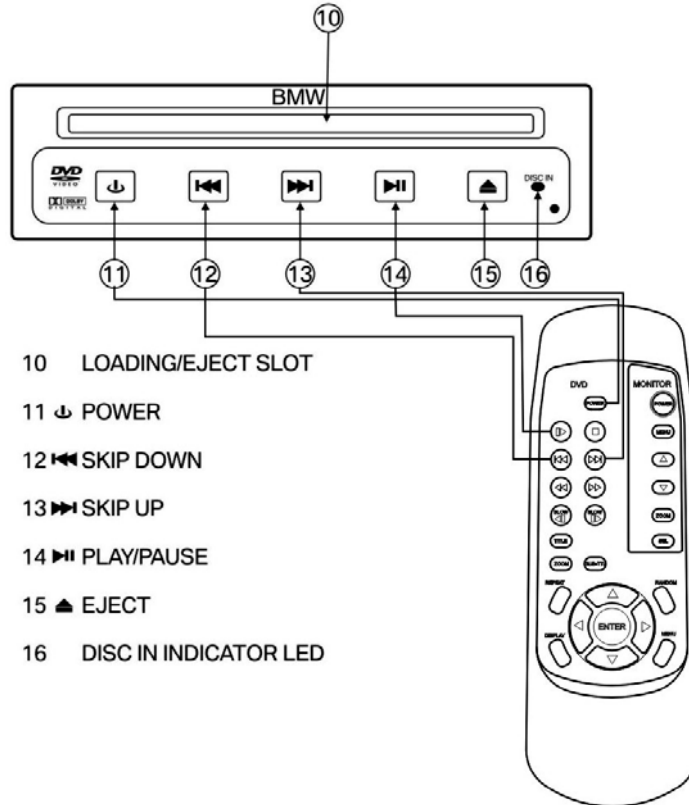
- 13 SKIP UP** - Advance to beginning of next chapter or track during playback or pause modes.

- 14 PLAY/PAUSE** - Cycles DVD Player between PLAY and PAUSE modes. On DVDs and video CDs with playback control (PBC), menu screens may appear automatically. It may be necessary to press ENTER button (Figure 27) on System Remote Control, or PLAY/PAUSE button again to commence play.

Performance Notes:

- *For some discs, disc menu screen may be displayed by pressing TITLE or MENU buttons.*
- *Driving on very bumpy roads while playing discs may result in skips, but will not scratch discs or damage DVD Player because discs are read optically.*

DVD Operation (Basic)



DVD Operation (Basic)

Play Position Memory Feature

- Playback will stop as DVD Player or Vehicle Ignition is switched 'OFF'.
- When power is restored, DVD Player will resume playback from the same point it stopped. (It may take up to 5 seconds before DVD disc resumes playback.)
- Play position memory is erased if disc is removed or reset switch on face of DVD Player is pressed.

15 EJECT - Discs may be ejected with vehicle ignition key in Position 1 (Steering Unlocked), Position 2 (Ignition ON), or Position 3 (Engine Start).

Note: *Disc can also be ejected with vehicle ignition key turned to Position 0 (Steering Lock) by pressing EJECT button. DVD Player powers 'OFF' automatically after unloading disc.*

- Press EJECT button to eject the disc. If you fail to remove disc within 15 seconds, the DVD Player will automatically reload disc.

CAUTIONS:



- *Do not attempt to grip or pull disc out while it is being pulled back into the player by the automatic reloading mechanism.*

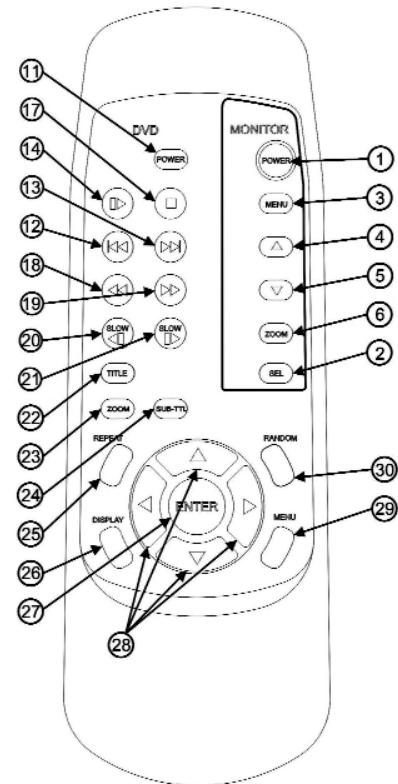
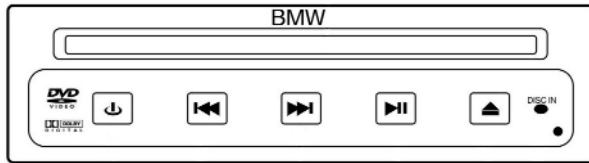
- As a disc is ejected, DISC IN indicator light on face of DVD Player turns 'OFF'.

Performance Note: *DVD Control button backlighting can be switched 'ON/OFF' by pressing and holding EJECT button for more than three seconds.*

16 DISC IN INDICATOR LED - Illuminates to indicate a disc is loaded in DVD Player.

17 STOP - (Remote function only) Press n STOP button on System Remote Control during playback to stop playback. Disc position will be automatically stored in memory.

DVD Operation (Basic)



DVD Operation (Basic)

PRE-STOP feature (DVD, Video CD only) - PRE-STOP feature permits playback to resume from position where it was stopped.

- Press **n** STOP button once during playback. DVD startup screen is displayed showing **n** STOP symbol (symbol disappears after three seconds). Pressing **n** STOP button a second time, or ejecting disc will cancel PRE-STOP mode and clear disc position memory.
- Pressing **▶||** PLAY/PAUSE button resumes playback from position at which it was stopped.

Note: For some discs, position at which playback restarts may not be accurate.

18 FAST REWIND - (Remote function only) Fast search in backwards direction during play or pause. Plays at 2X, 4X, 8X, or 20X speeds in sequence with multiple momentary presses. Press **◀||** PLAY/PAUSE button to resume normal playback.

Note: Audio is muted during this operation.

19 FAST FORWARD - (Remote function only) Fast search in forward direction during play or pause. Plays at 2X, 4X, 8X, or 20X speeds in sequence with multiple momentary presses. Press **▶||** PLAY/PAUSE button to resume normal playback.

Note: Audio is muted during this operation.

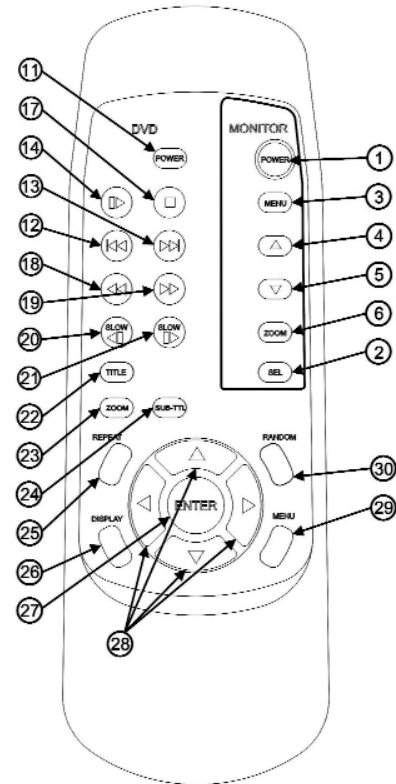
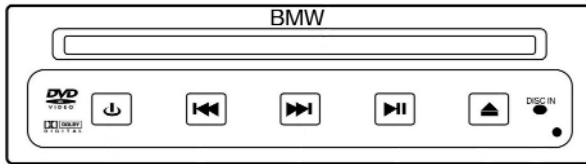
20 SLOW REVERSE - (Remote function only) Review backwards in slow motion during play or pause modes. Plays at 1/2, 1/3, 1/4, 1/5, 1/6 or 1/7 of normal speed, with multiple momentary presses. Press **▶||** PLAY/PAUSE button twice to resume normal playback.

Note: Audio is muted during this operation.

21 SLOW FORWARD - (Remote function only) Press to review forward in slow motion during play or pause modes. Plays at 1/2, 1/3, 1/4, 1/5, 1/6 or 1/7 of normal speed, with multiple momentary presses. Press **▶||** PLAY/PAUSE button twice to resume normal playback.

Note: Audio is muted during this operation.

DVD Operation (Basic)



DVD Operation (Basic)

22 TITLE - (Remote function only) Press with disc loaded/playing to view disc TITLE mode.

Note: *Due to the wide variety of digital media available, this feature may not work the same for all discs or may not work at all with specific discs.*

23 DVD ZOOM - (Remote function only) Zoom in on video images during play or pause modes. Zooms at Levels 1, 2, 3, or ZOOM OFF, with multiple momentary presses. In zoom modes, DIRECTION ARROW buttons (Figure 28) can be used to change monitor-viewing area.

Note: *DVD Player defaults to ZOOM OFF any time disc play is stopped.*

24 SUBTITLE - (Remote function only) Cycles between default language set on DVD Player, two additional languages that may be recorded on the disc itself, or subtitle 'OFF'.

Note: *Most DVD Discs are recorded to include three languages. Normally Region 1 discs (North America) are recorded to include English, Spanish, and French.*

25 REPEAT - (Remote function only) Cycles between repeat functions during disc playback (Title/Chapter/Off). Use this function to play the disc's titles, chapters or tracks repeatedly.

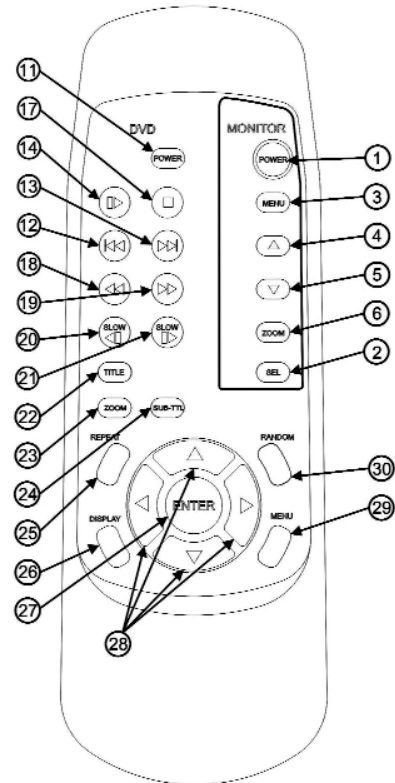
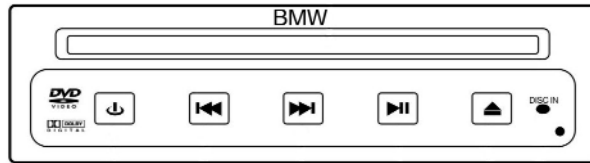
RPT Off – repeat playback is off
RPT TITLE – play entire disc over when finished
RPT CHPT – repeat only current chapter or track

26 DISPLAY - (Remote function only) Cycles between display functions during disc playback (elapsed/remaining time, full information, off). Refer to Displaying Disc Status section in DVD Advanced Operation

27 ENTER - (Remote function only) Press to enter selections when navigating menus.

28 DIRECTION ARROW - (Remote function only) Use to navigate up, down, or laterally through menus. In zoom modes DIRECTION ARROW buttons can be used to change monitor-viewing area.

DVD Operation (Basic)



DVD Operation (Basic)

29 DVD MENU - (Remote function only) Two functions are accessible using this button:

Function #1: Enter DVD Disc Menu while disc is playing.

Note: Menu offered is disc dependent.

Function #2: DVD Player Default Setup
(Refer to DVD Advanced Operation Section)

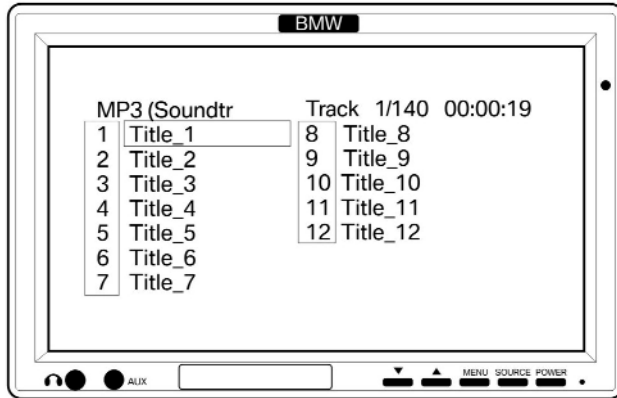
30 RANDOM – (Remote function only) Plays disc's titles, chapters or tracks randomly during disc playback. RANDOM feature cycles between 'ON' and 'OFF' with multiple presses.

DVD Operation (Advanced)

PLAYING MP3 DISCS:

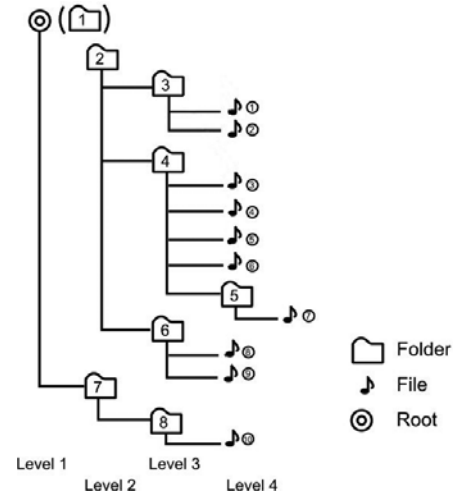
MP3 On Screen Display

When playing a MP3 CD, the name of the folder will be shown on the monitor's top line. Names of songs will be shown in columns underneath.



MP3 Playing Order

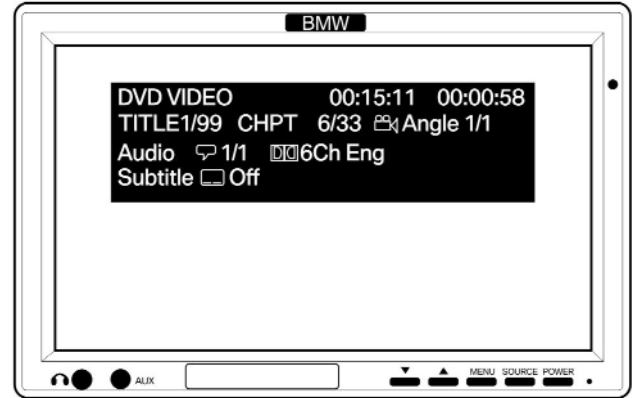
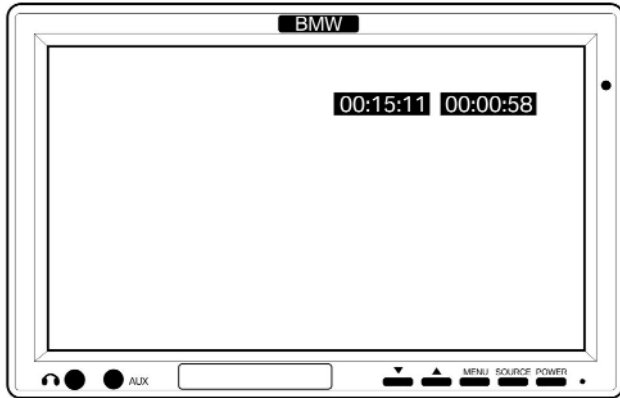
When selected for play, Folder Selecting, or Track Selecting, files and folders are accessed in order in which they were written to the CD. Because of this, the order in which they are expected to be played may not match the order in which they are actually played. For example, a medium with the following folder/file hierarchy is subject to Folder Selecting, or Track Selecting as shown in diagram.



DVD Operation (Advanced)

DISPLAYING DISC STATUS:

Press **DISPLAY** (Figure 26) on System Remote Control to show status (title number, chapter number, etc.) of disc being played. Total elapsed time and current chapter elapsed time will be displayed. Press **DISPLAY** a second time to display playback status:

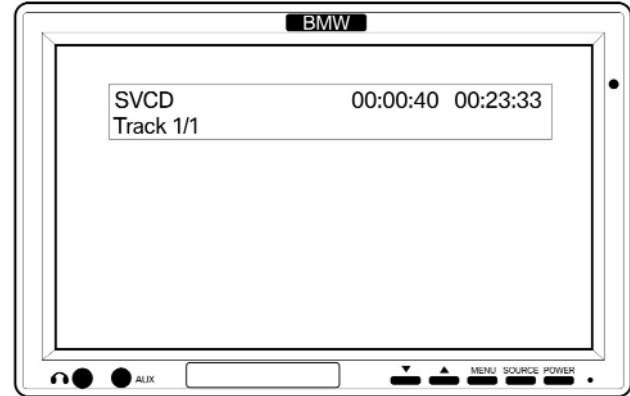
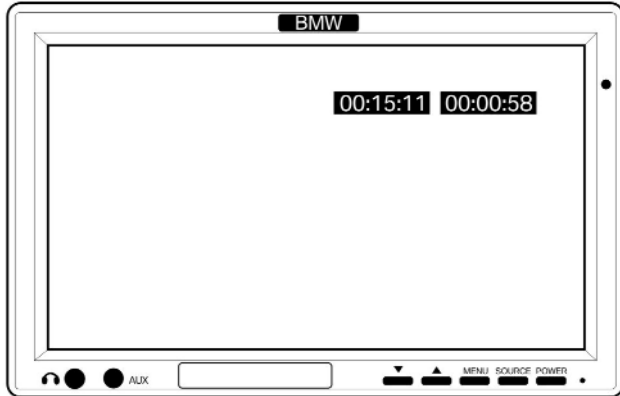


Press **DISPLAY** a third time to turn display 'OFF'.

DVD Operation (Advanced)

DISPLAYING VIDEO CD DISC STATUS:

Press **DISPLAY** (Figure 26) on System Remote Control to show status (title number, chapter number, etc.) of Video CD being played. Total elapsed time and current track elapsed time will be displayed. Press **DISPLAY** a second time to display playback status:



Press **DISPLAY** a third time to turn display 'OFF'.

DVD Operation (Advanced)

MODIFYING DVD PLAYER DEFAULT SETTINGS (SETUP)

Factory default settings can be modified to suit personal preferences. With playback stopped, press DVD MENU button on System Remote Control to display default SETUP menu:

Language	Video	Audio	Ratings
----------	-------	-------	---------

Press DVD MENU button at any time to exit SETUP menu.

Notes:

- ***Default settings are overwritten as settings are changed. Make a note of current settings before making changes. Settings are retained even if vehicle's battery is disconnected.***
- ***Some of the menu selections are not applicable to this system. Only those items that are explained in these pages should be changed.***

Changing DVD Player Default Languages:

OSD (on screen display) language, subtitle language, audio language, and DVD menu language can be set according to personal preferences. The OSD can also be switched 'ON/OFF'. (Factory default language set is 'English'.)

Use left and right DIRECTION ARROW buttons on System Remote Control to select LANGUAGE from SETUP menu, and press ENTER on System Remote Control (highlight indicates current selection). Use up and down DIRECTION ARROW buttons to select one of five choices, and press ENTER to accept setting.

- OSD Menu: Set language for DVD Player menus:

OSD Menu	English →	English
Subtitle	Off	Chinese
Audio	English	Spanish
DVD Menu	English	
OSD	On	

DVD Operation (Advanced)

- Subtitle: Set language of subtitle text. In “AUTO” mode, priority language for the disc being played is used:

OSD Menu	English	→	English
Subtitle	Off		Chinese
Audio	English		Spanish
DVD Menu	English		Auto
OSD	On		Off

- Audio: Set audio language reproduced from headphones/speakers:

OSD Menu	English	→	English
Subtitle	Off		Chinese
Audio	English		Spanish
DVD Menu	English		
OSD	On		

- DVD Menu: Set language of the DVD menus.

OSD Menu	English	→	English
Subtitle	Off		Chinese
Audio	English		Spanish
DVD Menu	English		
OSD	On		

- OSD: Turn OSD ‘ON/OFF’

OSD Menu	English
Subtitle	Off
Audio	English
DVD Menu	English
OSD	On

Note: If a disc being played has not been recorded with the default language selected on DVD Player Default Setup Menu, the priority language recorded on the disc itself will determine the language reproduced.

DVD Operation (Advanced)

Changing Video settings:

Picture shape, video format, picture brightness, and picture sharpness can be set according to personal preferences.

Use left and right DIRECTION ARROW buttons to select VIDEO from SETUP menu, and press ENTER (highlight indicates current selection). Use up and down DIRECTION ARROW buttons to select one of four choices, and press ENTER.

- TV Shape: Set picture shape for different types of monitors. (Factory default TV Shape set is '4:3 Letterbox')

4:3 PAN-SCAN: Select when connected to a normal 4:3 (conventional TV aspect ratio). The picture will fill the entire monitor, however due to mismatch in aspect ratio, parts of the movie at extreme left and right sides will not be visible.



4:3 LETTERBOX: Select when connected to a normal 4:3 (conventional TV aspect ratio) monitor. There may be black stripes visible at top and bottom of the monitor. The width of these stripes will vary depending upon original aspect ratio (wide range of variation) of the theatrical release of the movie.



16:9: Select when connected to a wide screen 16:9 aspect ratio monitor.



TV Shape
Video
Brightness
Edges

4:3 Pan Scan	→	4:3 Pan Scan
Auto		4:3 Letter Box
Off		16:9
Off		

DVD Operation (Advanced)

- Video: Sets video format used by DVD Player. NTSC is standard for North America and there is no need to change this setting. (Factory default Video setting is 'Auto')

TV Shape	4:3 Pan Scan	NTSC
Video	Auto	→ PAL
Brightness	Off	PAL 60
Edges	Off	Auto

- Brightness: Set picture brightness output from DVD Player. (Factory default Brightness setting is 'Off')

TV Shape	4:3 Pan Scan	Off
Video	Auto	On
Brightness	Off	→
Edges	Off	

- Edges: Set picture sharpness output from DVD Player. (Factory default Edges setting is 'Off')

TV Shape	4:3 Pan Scan	Off
Video	Auto	Sharpen
Brightness	Off	Soften
Edges	Off	→

Changing Audio settings:

The type of audio that is output to speakers for each type of audio encoding process can be set according to personal preferences. In '2 channel' mode, the selected encoding is processed for two channel output. In "Off" mode, regular stereo output is used. (Factory default Audio settings are all '2 Channel')

Performance Note: *It is recommended that Audio settings not be changed to avoid adversely affecting audio quality!*

Use left and right DIRECTION ARROW buttons to select AUDIO from SETUP menu, and press ENTER (highlight indicates current selection). Use up and down DIRECTION ARROW buttons to select one of four choices, and press ENTER to change.

DOLBY Digital	Analog Out
DTS	2 Channel
MP3	2 Channel
Other	2 Channel (Reserved for future use)


DVD Operation (Advanced)

Changing Rating settings:

Use to restrict movie viewing for children of appropriate age levels. (Factory default Rating setting is '8. Adult')

Use left and right DIRECTION ARROW buttons to select RATINGS from SETUP menu, and press ENTER (highlight indicates current selection). Use the down DIRECTION ARROW button to select RATING, and press ENTER to change. Available ratings are:

1. Kid Safe
2. G
3. PG
4. PG_13
5. PG_R
6. R
7. NC_17
8. Adult

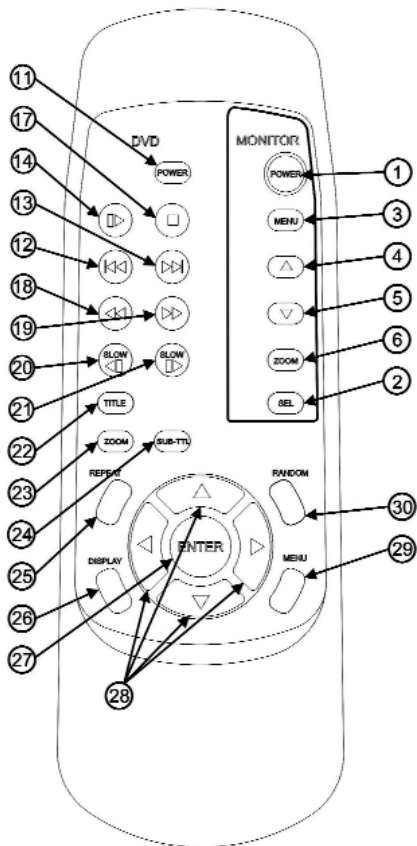
Password_ _ _ _  -
Rating 1. Kid Safe

Note: Password protection is not implemented in this version.

Notes:

- ***On un-rated DVDs, playback will not be restricted even if rating level is set. If you are unsure about a DVD, play it first to confirm. Do not leave DVDs you deem inappropriate accessible to young children.***
- ***Rating level remains in memory until changed. To enable play of discs of higher rating levels, this setting must be changed.***

System Remote Control Layout and Operation



System Remote Control Layout and Operation

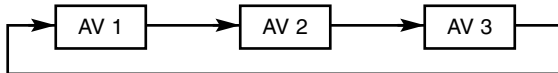
System Remote Control features glow-in-the-dark buttons, and integrates control of all Monitor and DVD Player functions.

Monitor Control Functions (Figures 1 – 6):

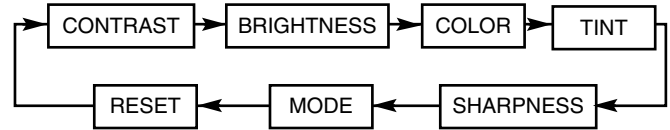
Note: Detailed description of the functionality of Monitor controls is available in 'Monitor Operation' section of this manual

1 MONITOR POWER – Power Monitor 'ON/OFF'.

2 SEL - Selects audio/video source (Marked SOURCE on Monitor) Each Monitor may be independently cycled between three audio/video sources:



3 MENU - Cycles between basic Monitor control functions:

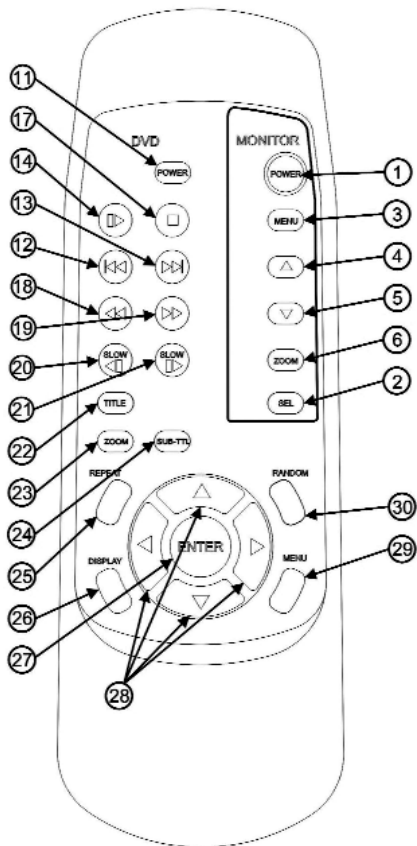


Adjust by pressing \uparrow DOWN or \downarrow UP buttons

4 \downarrow UP - Two control functions are accessible using this button on Monitor or System Remote Control:

- Increases volume for a universal wired headphone (not supplied with system), plugged into a Monitor HEADPHONE JACK (Figure 8)
- When used in conjunction with Monitor MENU button (Figure 3), \downarrow UP button increases the selected control function

System Remote Control Layout and Operation



System Remote Control Layout and Operation

5 **⏮ DOWN** - Two control functions are accessible using this button on Monitor or System Remote Control:

- Decreases volume for a universal wired headphone (not supplied with system), plugged into a Monitor HEADPHONE JACK (Figure 8)
- When used in conjunction with Monitor MENU button (Figure 3), **⏮ DOWN** button decreases the selected control function

6 **MONITOR ZOOM** – A shortcut function to cycle between screen mode selections available in main Monitor menu. (Refer to page 13, Figure 3, Monitor MENU for a detailed explanation of Monitor ZOOM functionality)

- ZOOM SCREEN
- NORMAL SCREEN
- WIDE SCREEN

DVD Control Functions (Figures 11 – 30):

Note: Detailed description of the functionality of DVD controls is available in 'DVD Operation Basic/Advanced' sections of this manual

11 DVD POWER - Power DVD 'ON/OFF'.

12 SKIP DOWN - Return to beginning of currently playing chapter or track.

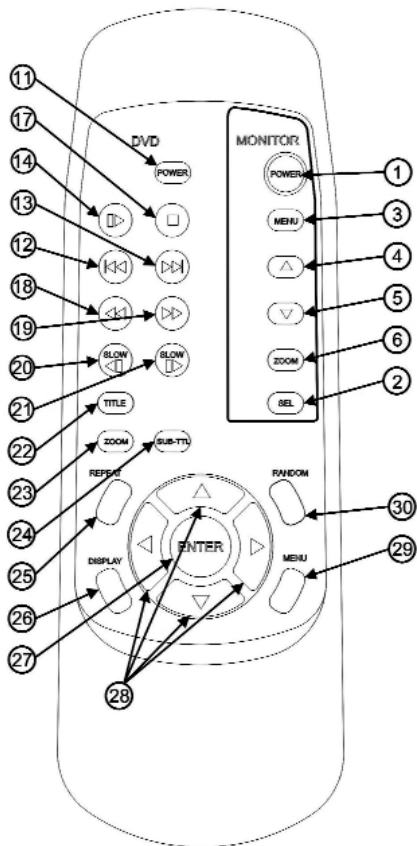
13 SKIP UP - Advance to beginning of next chapter or track.

14 PLAY/PAUSE – Cycle between PLAY and PAUSE modes.

17 STOP – Stop play.

18 FAST REWIND - Fast search in backwards direction during play or pause. Plays at 2X, 4X, 8X, & 20X speeds in sequence with multiple momentary presses.

System Remote Control Layout and Operation



System Remote Control Layout and Operation

19 FAST FORWARD - Fast search in forward direction during play or pause. Plays at 2X, 4X, 8X, or 20X speeds in sequence with multiple momentary presses.

20 SLOW REVERSE - Review backwards-in slow motion during play or pause modes. Plays at 1/2, 1/3, 1/4, 1/5, 1/6 or 1/7 of normal speed, with multiple momentary presses.

21 SLOW FORWARD - Press to review forward in slow motion during play or pause modes. Plays at 1/2, 1/3, 1/4, 1/5, 1/6 or 1/7 of normal speed, with multiple momentary presses.

22 TITLE - Enter disc TITLE mode with disc loaded.

Note: TITLE feature is disc-specific, and may not be available with disc loaded.

23 DVD ZOOM - Zoom in on video images during play or pause modes. Zooms at Levels 1, 2, or 3, with multiple momentary presses. In zoom modes the DIRECTION ARROW buttons (Figure 28) can be used to change zoomed monitor-viewing area.

24 SUBTITLE - Cycles between default language set on DVD Player, two additional languages that may be recorded on DVD disc itself, or subtitle OFF.

25 REPEAT - Cycles between repeat functions (Title/Chapter/Off).

26 DISPLAY - Cycles between display functions, (elapsed/remaining time, full information, off).

27 ENTER - Enter selections when navigating menus.

28 DIRECTION ARROW buttons - Use to navigate through menu.

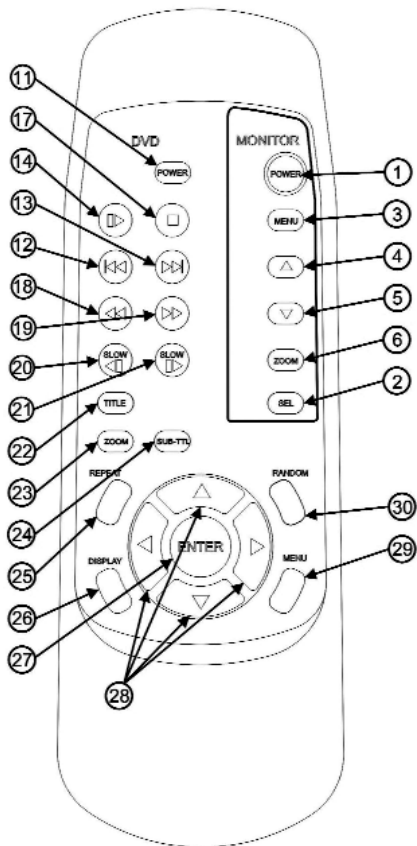
29 DVD MENU - (Remote function only) Two functions are accessible using this button:

Function #1: Enter DVD Disc Menu while disc is playing. **Note: Menu offered is disc dependent.**

Function #2: DVD Player Default Setup (Refer to DVD Advanced Operation Section)

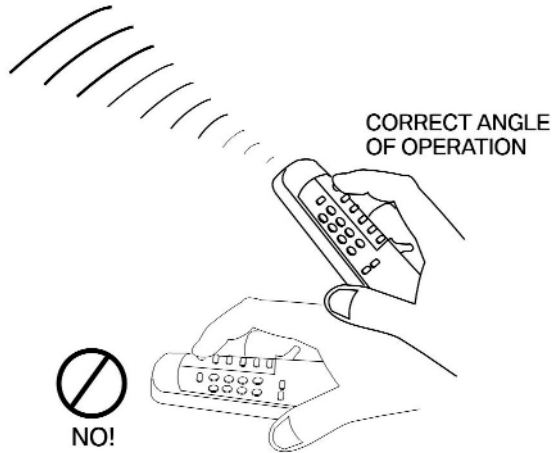
30 RANDOM - Play all chapters or tracks at random.

System Remote Control Layout and Operation



System Remote Control Layout and Operation

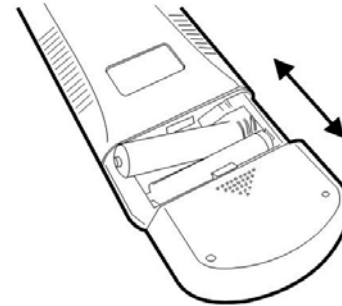
Using the System Remote Control:



- Aim System Remote Control at Infrared Remote Sensor on the Monitor (Figure 9) to be controlled at the angle shown by above illustration.

Performance Note: Direct sunlight on Infrared Remote Sensor may interfere with remote control operation.

Inserting batteries:



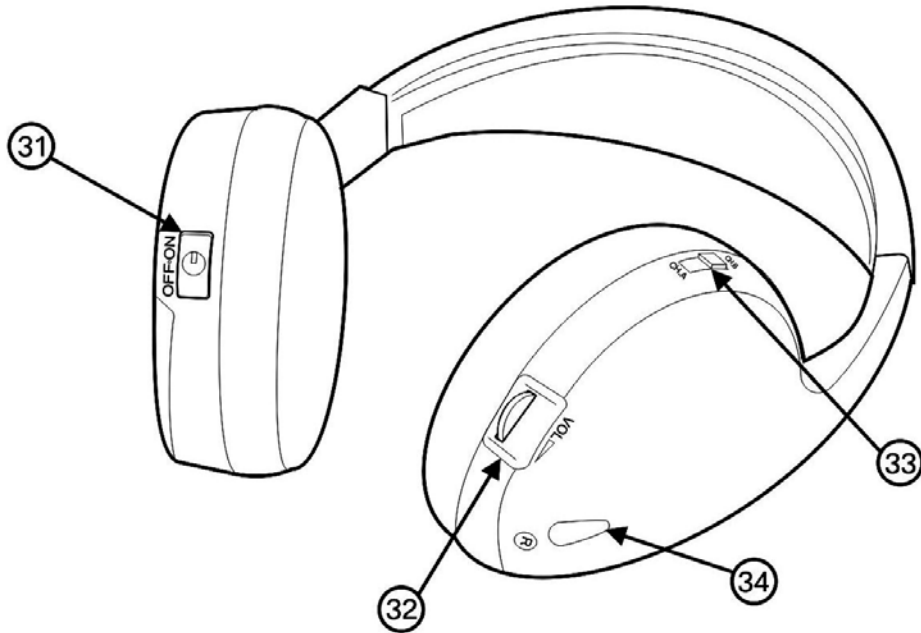
Insert two, size “AAA” batteries with correct polarity by matching + and - on batteries per the diagram inside battery compartment.

CAUTIONS:



- Do not leave System Remote Control in direct sunlight to prevent damage.
- Do not mix new batteries with old batteries.
- Rupture or chemical leakage from batteries may cause fire or personal injury.
- Wash hands after handling batteries.
- Keep batteries out of reach of children. Swallowing them may result in serious injury. If swallowed, consult a physician immediately.

Headphones Control Layout and Operation



Headphones Control Layout and Operation

Two-channel infrared wireless headphones receive sound signals via an infrared light beam. They operate in a line-of-sight orientation with INFRARED LED TRANSMITTER window on bottom edge of Monitor, (Refer to Page 7 Figure 6).

31 POWER – Momentary POWER switch permits headphones to be switched 'ON/OFF' manually. POWER LED (Figure 34) will illuminate as headphones are switched 'ON'. An Auto-Off Power-Saver feature automatically switches headphones 'OFF' three and one-half minutes after reception of the last detected infrared transmission signal to help conserve battery power.

32 VOLUME - Adjusts volume of the audio signal UP/DOWN.

CAUTION:

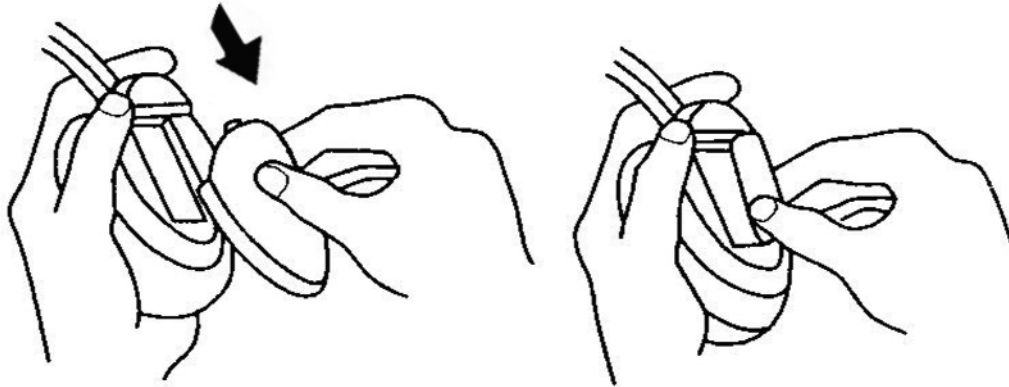


• *Turn headphone volume nearly to minimum before turning power switch 'ON' to avoid damage to headphones or listener's ears.*

33 CHANNEL SELECTOR SWITCH – Switches audio reception between Channel A and Channel B. Since Monitors have capability to reproduce different sources independently (i.e.: DVD, Game Units, HandiCam, etc.) through auxiliary inputs, it is necessary to transmit audio signals on separate channels (A & B). Driver's side Monitor is designated Channel A, and passenger's side Channel B. Headphone channel selector switch must be set to the appropriate channel according to the Monitor being viewed.

34 POWER LED - Illuminates in red to indicate that headphones are switched 'ON', and battery power is being supplied.

Headphones Control Layout and Operation



Headphones Control Layout and Operation

Inserting batteries:

Insert two, size “AAA” batteries with correct polarity by matching + and - on batteries per the diagram inside battery compartment.

Performance Notes:

- *Direct sunlight on Headphones or Infrared LED Transmitter on Monitor may interfere with signal transmission to Headphones.*
- *Cupped hands covering earpieces may interfere with signal transmission to Headphones.*

Note: *Headphones have an Auto-Shutoff feature after 3.5 minutes of system inactivity to conserve battery life. POWER LED (Figure 34) will turn ‘OFF’.*

CAUTIONS:



- *Do not leave Headphones in direct sunlight to prevent damage.*
- *Do not mix new batteries with old batteries.*
- *Rupture or chemical leakage from batteries may cause fire or personal injury.*
- *Wash hands after handling batteries.*
- *Keep batteries out of reach of children. Swallowing them may result in serious injury. If swallowed, consult a physician immediately.*

Optional Accessories

To increase enjoyment and utility of BMW's Rear Seat Entertainment System, several accessories are available at a BMW Center:

- **AV 3 Global Auxiliary Input Jack:**

The BMW Rear Seat Entertainment System is pre-adapted to permit auxiliary sources to be connected using AV 3 mode for viewing on each Monitor separately, or both Monitors simultaneously. (Refer to page 11, Figure 2 concerning Audio/Video Source switching.) Any audio/video source compatible with standard NTSC composite video outputs found on devices such as video game units, VCRs, portable DVD Players, or video/still cameras may be used. AV 3 AUX Input Jack requires a 3.5 mm phone jack be installed on the rear of the center console by a BMW Center.

Order Part Number 84 11 0 392 068 - 3.5 mm AUX Input Jack

Note: If auxiliary source to be connected is not equipped with a 3.5 mm Phone Plug output cable, it will be necessary to additionally Order Part Number 84 11 0 392 065 - Auxiliary Input Adapter Cable (3.5 mm Phone Plug to RCA Plug Adapter)

- **Auxiliary Input Adapter Cable:**

Permits connection of auxiliary devices such as video game units, VCRs, portable DVD Players, or video/still cameras equipped with RCA-type output jacks to Monitor-mounted AV 2 AUX Input Jacks (Refer to page 8, Figure 7), or Optional AV 3 Global Auxiliary Input Jack.

Order Part Number 84 11 0 392 065 - Auxiliary Input Adapter Cable (3.5 mm Phone Plug to RCA Plug)

Troubleshooting

In Case of Difficulty...

DVD Player

- If operation freezes, monitor goes black, or unit should otherwise not function properly, try turning power 'OFF' and then back 'ON'. Alternatively, try the following methods in the order listed until DVD Player returns to normal playback mode:
 1. Change source from DVD to other source then to DVD mode.
 2. Turn vehicle's ignition 'OFF' and then back 'ON' again.
 3. Press RESET button on the face of DVD Player.
- If the unit is still at fault, please consult a BMW Center.

(see troubleshooting chart on next page)

Troubleshooting

DVD Player

Symptom	Remedy
Unit does not operate.	<ul style="list-style-type: none"> • Turn Ignition 'ON' • Press Power 'ON' from remote • Fuse blown, replace with a fuse of same capacity • Turn Monitor's power 'ON' • Consult a BMW Center
No picture is produced. Playback does not start.	<ul style="list-style-type: none"> • Switch to the appropriate A/V source. • Check that disc is loaded with label side facing upwards • Clean disc • Check for disc compatibility • Press 'MENU' to turn menu off
Picture is unclear or noisy.	<ul style="list-style-type: none"> • During fast-forward or fast-reverse, picture can be slightly distorted. This is a normal situation. • Consult a BMW Center
Image sometimes stumbles or freezes NO DISC	<ul style="list-style-type: none"> • Clean or replace disc if it is scratched. • Load a disc. • Clean disc.
x (Not Valid)	<ul style="list-style-type: none"> • For some discs or playing modes, certain operations are not possible. This is not a malfunction.
REGION ERROR	<ul style="list-style-type: none"> • Load a disc with correct regional code number.
BAD DISC	<ul style="list-style-type: none"> • Inserted disc is of unknown format. Load an NTSC disc. • Inserted disc is Un-Readable
Black and white monitor, blank monitor, or frozen monitor	<ul style="list-style-type: none"> • Overheating. Turn system power 'OFF' and then turn power 'ON' again. If display still does not appear normal, leave power 'OFF' until temperature decreases and then turn power 'ON' again.
Discs become hot to the touch during playback	<ul style="list-style-type: none"> • Normal condition of mobile disc playback.

Troubleshooting

Monitor/Sound

Symptom	Remedy
POWER button on Monitor does not function. No function or display.	<ul style="list-style-type: none"> • Turn ignition 'ON'. • Check vehicle's battery voltage. • Consult a BMW Center.
No picture on Monitor screen during playback.	<ul style="list-style-type: none"> • Confirm Monitor's power button is 'ON' • Confirm Monitor's input is set to appropriate source. • Adjust monitor brightness. • Monitor's protective circuit is on because of high temperature. Wait until temperature inside vehicle comes down to normal monitor operating temperature. • Open connection with Monitor, AV Interface unit, or DVD. Consult a BMW Center.
Picture color is poor. Spots or dotted lines/stripes appear.	<ul style="list-style-type: none"> • Set Brightness/Color/Tint controls to proper settings. • Caused by neon signs, high-voltage power lines, CB transmitter, and other vehicle's ignition plugs, cell phones, etc. Change location of the vehicle.
No Remote Control operation or unstable operation.	<ul style="list-style-type: none"> • Remove any obstacle between System Remote Control and remote. Sensor on Monitor. • Replace batteries with new ones. Insert them correctly. • Ensure System Remote Control is being aimed at correct angle at remote sensor on Monitor. (See page 49) • Clean remote sensor or transmitter.
No sound from headphones.	<ul style="list-style-type: none"> • Turn on POWER to headphone. • Turn up volume on headphones. • Replace batteries in headphones.

Troubleshooting

Monitor/Sound *(continued)*

Symptom	Remedy
Distorted sound from wireless headphones.	<ul style="list-style-type: none">• Interference from outside light source, cell phones, etc. Change location of the vehicle.• Headphone set to wrong channel. Change channel.• Replace batteries with new ones. Insert them correctly.

Care and Maintenance

BMW's Rear Seat Entertainment System is a product of superior design and craftsmanship and should be treated with care. The suggestions below will help provide many years of trouble-free enjoyment.

- **Cleaning Components and Housings:** Clean components by occasional gentle wiping with a soft, lint-free, cotton cloth that has been slightly dampened with warm water and wrung out completely. Dry the finish by wiping with a clean dry cotton cloth.

CAUTIONS:



• *Use of liquids, abrasives, aerosol cleaners, interior protectant products or paper cleaning products will result in permanent damage to the finish and plastic housings of components! The LCD monitor is made of a specially coated glass and can be scratched or damaged by abrasive products, solvents, or ammonia-based window cleaners.*

• *Do not allow volatile substances, such as insecticides, to come into contact with components to prevent damage to products finish.*

• Use and Storage:

- Components should never be stored near or over a heat register or in direct sunlight.

- Do not store components in cold areas. Condensation moisture that will damage electronic circuits can form, as components warm up to normal operating temperatures.
- These units contain precision electronics that must be protected from dust, dirt, and moisture.
- Never spill liquids on any component. Liquids, humidity, and precipitation contain minerals that will corrode electronic circuits.

• Take care to avoid the following:

- Rough handling can break internal circuit boards. Do not drop, knock, or shake components.
- Do not attempt to paint or refinish components. Paint can clog moving parts and prevent proper operation.
- Non-expert handling can damage components. Attempting to open any of the components may void the limited warranty.

Specifications

MONITOR

Monitor Size	7" diagonal
Monitor Aspect Ratio	16:9 Widescreen
Display System	Low reflection rear projection type TN liquid crystal panel
Drive System	TFT Active matrix drive, normally white display
Number of Picture Elements	336,960 dots. (W:1440 x H:234 dots)
Light Source	Internal optical system (L-type cold cathode fluorescent tube)
Brightness	Min. 400 cd/m ₂ , typ. 500 cd/m ₂
Operating Temperature Range	-30°C to +85°C
Dimensions (W x H x D)	178.5 x 114 x 27mm (7"x4.5"x1")
Weight	383 g (13.5 oz)

AV INTERFACE UNIT

Dimensions (W x H x D)	99 x 90 x 25 mm (3.9"x3.5"x1")
Weight	422 g (14.9 oz)
Video Input	1.4 V (p-p), 75 Ohm (RCA type jack)
Audio Input	3.0 V (rms), less than 10 kOhm (RCA type jack)

DVD

Signal system	NTSC/PAL
Horizontal resolution	500 lines or greater
Video output level	1Vp-p (75 Ohms)
Video S/N ratio	65 dB
Audio S/N ratio	80 dB
Frequency response	17 Hz to 20 kHz (±1 dB)
Channel balance	1 dB max.
Channel separation	70 dB
Harmonic distortion	0.1% max.
Audio output	2 Vrms
Power supply	DC 14.4V (operating range: 11 to 16V)
Operating temperature range	-10°C to +60°C
Weight	1.3 kg (2.87 lbs.)
External dimensions (W x H x D)	162 x 49 x 164 mm (6.4" x 2" x 6.5")

ON1013887ID

Specifications

HEADPHONES

Receiving Frequency:	
Channel A2.3/2.8 MHz Left/Right
Channel B3.2/3.8 MHz Left/Right
Receiving Sensitivity Max.:	
Left/Right Channels6 dB
Sensitivity for 30dB S/N:	
Left/Right Channels14 dB
S/N at 60dB I/P:	
Left/Right Channel60 dB
Normal Output Power2 mW
Audio Frequency Response [-3dB]40Hz - 18KHz
Distortion at Max O/P (THD)0.5%
Volume Min. Noise0.5 mV
Channel Balance<2 dB

Design and specifications are subject to change without notice.

This product incorporates copyright protection technology that is protected by method claims of certain U.S. patents and other intellectual property rights owned by Macrovision Corporation and other rights owners. Use of this copyright protection technology must be authorized by Macrovision Corporation, and is intended for home and other limited viewing uses only unless otherwise authorized by Macrovision Corporation. Reverse engineering or disassembly is prohibited.

Manufactured under license from Dolby Laboratories. "Dolby", "Pro Logic" and the double-D symbol are trademarks of Dolby Laboratories. Confidential unpublished works. ©1992-1997 Dolby Laboratories. All Rights reserved.

Manufactured under license from Digital Theater Systems, Inc. US Pat. No. 5,451,942, 5,956,674, 5,974,380, 5,978,762 and other worldwide patents issued and pending. "DTS" and "DTS Digital Out" are trademarks of Digital Theater Systems.

Notes

Notes

Notes

This page will be blank (inside back cover)

Copyright © 2004 BMW of North America, LLC
All Rights Reserved
Woodcliff Lake, NJ 07677

All Rights Reserved

This publication is protected and all rights are reserved. No part of it may be reproduced or transmitted by any means or in any form, without prior written consent from BMW.

The information in this manual has been carefully checked and is believed to be accurate, however, changes are made periodically in subsequent publication editions. BMW may improve and/or change products described in this publication at any time. Due to continuing system improvements, BMW is not responsible for inaccurate information that may appear in this manual. In no event will BMW be liable for direct, indirect, special, exemplary, incidental, or consequential damages resulting from any defect or omission in this manual, even if advised of the possibility of such damages.

In the interest of continued product improvement, BMW reserves the right to make improvements in this manual and the products it describes at any time, without notices or obligation.

P/N 84 11 0 306 648

Printed in U.S.A.



CN1013887ID