

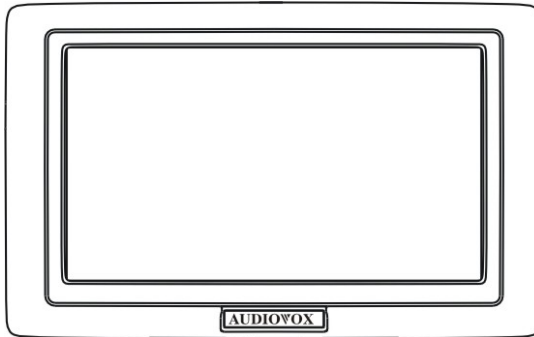


**AUDIOVOX®**  
**ELECTRONICS CORP.**

## **Wireless 4.5" LCD Display System**

**Model: ACA450**

### **Installation/User Manual**



#### **Features:**

- **4.5" TFT Color LCD Display**
- **On Screen Display Function**
- **2.4 GHz Wireless Receiver**
- **Automatically Displays Image when Vehicle is in Reverse**

# TABLE OF CONTENTS

Warnings .....	2
Product Description .....	3
Packing List .....	3
Installation Instructions .....	4
Controls and Indicators .....	6
Specifications .....	7
Maintenance .....	8
Troubleshooting .....	8

# Warnings

The product is intended to assist in safe driving and to allow the driver to have a broader rearview while the vehicle is in reverse. You, as the driver, are solely responsible for the safe operation of your vehicle and the safety of your passengers according to your local traffic regulations. Do not use any features of this system to the extent it distracts you from safe driving. Your first priority while driving should always be the safe operation of your vehicle. Audiovox Electronics Corporation cannot accept any responsibility whatsoever for accidents resulting from failure to observe these precautions or safety instructions.

1. This product utilizes high voltage. Any unauthorized modifications or damage to the product may result in electrical shock. Handle all components with care. Inspect regularly for damage to components and cabling.
2. You are responsible for ensuring that the installation of this product does not void or affect the vehicle manufacturer's warranty. Audiovox Electronics Corporation or its subsidiaries are not liable in full or in part for improper installation resulting in loss or damage to your property, or for voiding all or part of the vehicle manufacturer's warranty.
3. Do not apply excessive force to any of the components contained within this kit. Excessive force used before, during or after installation that results in a damaged or non-functional part will void all warranties.
4. Please follow the procedures in this installation manual. Improper installation or modification of this product will void all warranties.

# Product Description

This Wireless Backup Camera/Monitor Package is designed to assist the driver by providing a clear and wide image of the area behind the vehicle whenever the vehicle is shifted into reverse. Never rely solely on this product to ensure the area is clear of children and/or obstructions. Use your monitor and look both ways. This product is not intended to replace existing safety procedures, but rather to add an additional safety tool for your vehicle.

**CAUTION:** Do not back up your vehicle while watching the monitor screen. Always look in the direction the vehicle is traveling. Use the monitor as an aid to ensure there are no children or obstructions. The image on the monitor is not designed to show distance and may be misleading. The actual distance is less than appears in the monitor. The range of the image is limited. Be aware of blind spots.

## Packing list

The model ACA-450 monitor package consists of the following items:

1. LCD Wireless Reception Monitor – 1 qty
2. ACA200 Wireless Camera – 1 qty
3. Visor Clip – 1 qty
4. Mounting Bracket – 1 qty
5. 1.5m Power Supply Cable – 1 qty
6. 1.5m Cigarette Lighter Cable – 1 qty
7. Theft-proof Screws: 2 each coarse thread and machine thread
8. Wire connectors:
  - a) Tap connectors-1 qty
  - b) Ring connector-1 qty

# Installation Instructions

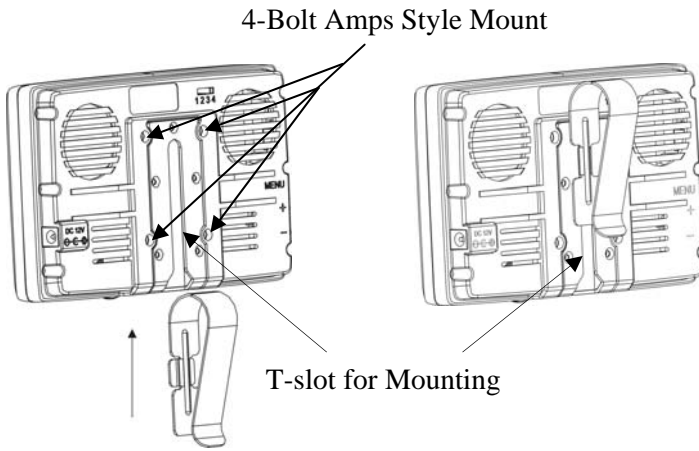


Figure 2 (Mounting the Monitor)

*NOTE: Amps Style Mount is an industry standard 4-bolt pattern for assorted style mounts available at many retailers. Use caution when installing bolts, as bolts that are too long will damage the monitor.*

## (1) Installing the Visor Clip (mounting bracket)

- a) Slide the Visor Clip all the way onto the T-slot on the back of the monitor, as shown in figure 2.
- b) Slide the Visor Clip over the sun visor.

## (2) Installing the Suction Cup Mount

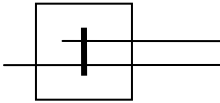
- c) Slide the T-bolt on the base of the suction cup mount into the T-slot on the back of monitor display.
- d) Tighten the T-nut until snug with the back of the monitor.
- e) Place the suction cup on the windshield and adjust to a suitable angle for observing the image on the monitor. Be sure not to obstruct your view through the windshield.

### (3) Electrical Connections:

The monitor can be powered two ways:

1. Plug the cigarette lighter adapter into the vehicle's cigarette lighter socket, and then insert the 2.5mm plug into the power supply jack on the monitor.
2. Permanently wire the leads to the vehicle. Choose a source that only has power when the vehicle ignition is on.

- a. Red wire: ignition source +12 volt. Using the tap connectors supplied, perform the following steps:
  - i. Place the un-stripped ignition source wire on the run channel
  - ii. Place the un-stripped red power wire completely
  - iii. Fold the tap connector back over the wires and make the connection by crimping the u-contact down flush with the plastic insulator.
  - iv. Close the top hinged cover until latched.
- b. Black wire: chassis/ground. Using the ground ring supplied, perform the following steps:
  - i. Place stripped wire (1/4") inside a connector
  - ii. Crimp the connector using a crimping tool to secure the wire.
- c. Plug the power plug into the monitor power supply jack.



Tap/Run Connection

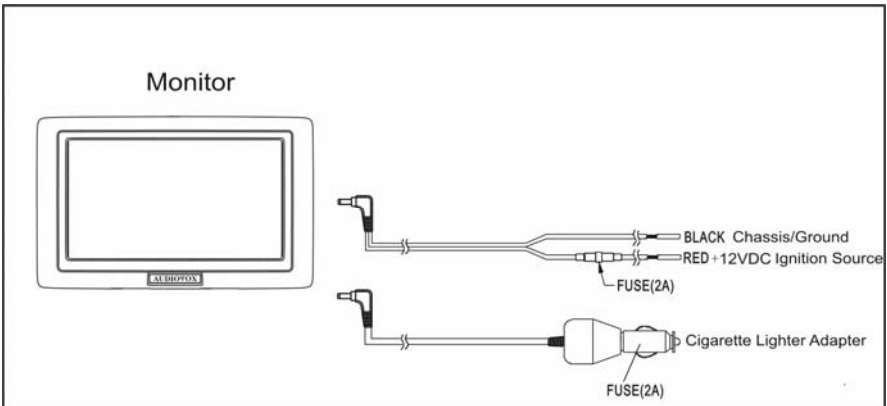


Figure 3 (Electrical Connections)

# Controls and Indicators

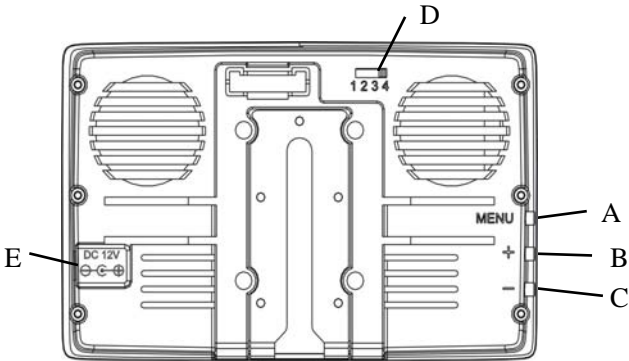


Figure 2 Back Side of Monitor

Figure 2 illustrates the controls and indicators on the back side of the ACA450 Monitor:

- A: Menu Key-shows on screen displays
- B: “+” Volume Adjustment Key
- C: “-” Volume Adjustment Key
- D: Four Position/Channel Receiver Frequency Switch

*NOTE: Position switch should be in the #1 position. Monitor can receive 4 different frequencies, as noted in specifications, and can receive 4 separate camera signals (optional).*

E: Power Supply Jack

# Specifications

## General

Power Supply	DC12V
Power Consumption	<6W
Current Draw	<400 mA
Operating Temperature Range	0 to 50

## Display System

Screen	4.5" TFT Color LCD
Brightness	400 cd/
Contrast Ratio	150:1
Backlight Life	10000 hours
Resolution	960×234
Video Format	NTSC/PAL
Display Format	16 : 9

## Wireless Reception System

Operating Frequency	2.4GHz
Selectable Channel Quantity	4 Channel
	CH1: 2414 MHz,
	CH2: 2432 MHz,
	CH3: 2450 MHz,
	CH4: 2468 MHz

# Maintenance



Though your monitor requires little care, you will still need to maintain its condition and performance by following the guidelines below.

- Keep your system away from excessive moisture, extreme heat or cold.
- Keep liquids away from the display.
- Occasionally clean the surface of the monitor with a soft cloth moistened with water or glass cleaner.

## Troubleshooting

<b>Symptoms</b>	<b>Solutions</b>
The Monitor is not on after the vehicle is started and the vehicle is in reverse	<ol style="list-style-type: none"><li>1. Check the monitor wiring and connections</li><li>2. Check that the channel switch is set to position 1</li></ol>
No video signal appears while reversing the vehicle	<ol style="list-style-type: none"><li>1. Check the rear view camera lens and Clean if needed</li><li>2. Check the rear view camera wiring and connections</li></ol>
Video image is not sharp enough	Clean the camera lens





For Customer Service  
Visit Our Website At  
**[www.audiovox.com](http://www.audiovox.com)**  
Product Information, Photos,  
FAQ's Owner's Manuals

© 2007 Audiovox Electronics Corp., 150 Marcus Blvd., Hauppauge, N.Y. 11788

---