



## INSTALLATION INSTRUCTIONS FOR PART 99-7953

### APPLICATIONS

# Suzuki Grand Vitara 2006-up 99-7953

### KIT FEATURES

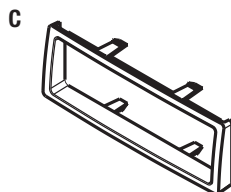
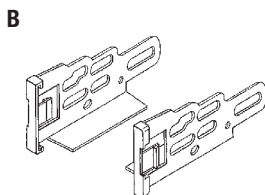
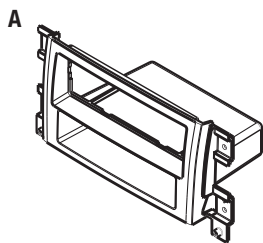
---

- DIN head unit provision with pocket
  - ISO DIN head unit provision with pocket
- 

### KIT COMPONENTS

---

- A) Radio Housing • B) ISO Brackets • C) Trim Plate
- 



### WIRING & ANTENNA CONNECTIONS (Sold Separately)

Wiring Harness:

- 70-1721 - Honda harness 1998-up

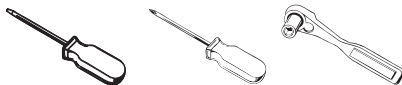
Antenna Adapter:

- Not Required

### TOOLS REQUIRED

---

Small Flat Blade Screwdriver • Phillips Screwdriver • Socket Wrench



**METRA. THE WORLD'S BEST KITS.™**



**1-800-221-0932**



**metraonline.com**

© COPYRIGHT 2004-2011 METRA ELECTRONICS CORPORATION



99-7953

## Table of Contents

### Dash Disassembly

- Suzuki Grand Vitara 2006-up ..... 3

### Kit Assembly

- DIN head unit provision ..... 4
- ISO DIN head unit provision ..... 5

### Caution

*Metra recommends disconnecting the negative battery terminal before beginning any installation. All accessories, switches, and especially air bag indicator lights must be plugged in before reconnecting the battery or cycling the ignition.*

*\*NOTE: Refer also to the instructions included with the aftermarket radio.*



#### KNOWLEDGE IS POWER

Enhance your installation and fabrication skills by enrolling in the most recognized and respected mobile electronics school in our industry. Log onto [www.installerinstitute.com](http://www.installerinstitute.com) or call 800-354-6782 for more information and take steps toward a better tomorrow.

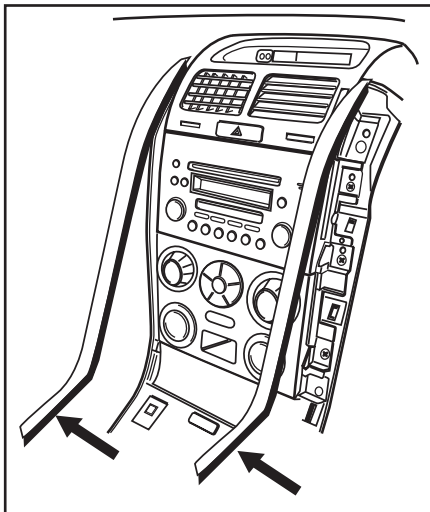


**Metra recommends MECP certified technicians**

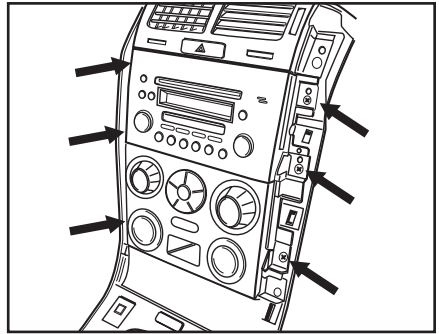
## Dash Disassembly

1. Unclip and remove the (2) outside trim panels. (Figure A)
2. Remove (6) Phillips screws securing the radio and climate controls to the sub dash. (Figure B)
3. Remove the (2) Phillips screws securing the factory radio bracket to the radio/ climate control assembly. (Figure C)
4. Separate the bracket and factory radio from the climate control. (Figure D)

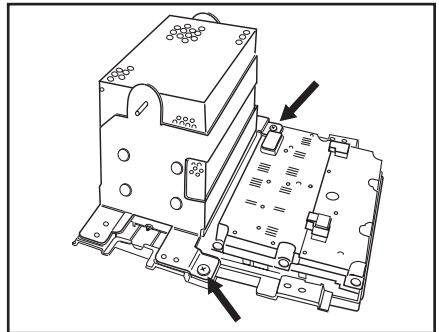
*Continued on next page*



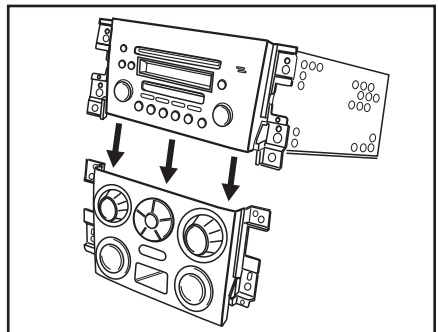
(Figure A)



(Figure B)



(Figure C)



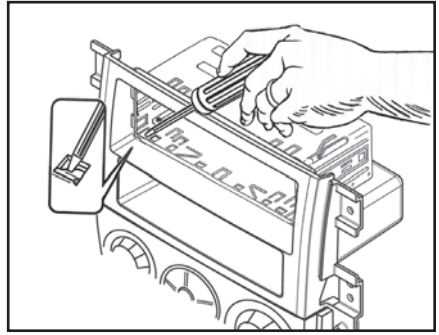
(Figure D)



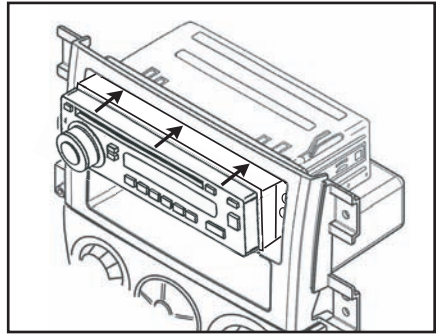
## Kit Assembly 99-7953

### DIN head unit provision

1. Locate the factory wiring harness and antenna plug in the dash. Metra recommends using the proper mating adapters from Metra and/or AXCESS.
2. Slide the DIN cage into the radio housing and secure by bending the metal locking tabs down. (Figure A)
3. Slide the aftermarket head unit into the cage until secure. (Figure B)
4. Reassemble dash in reverse order of disassembly.



(Figure A)



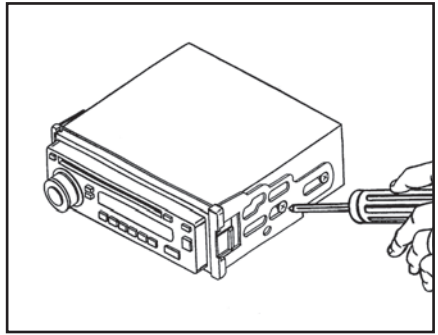
(Figure B)



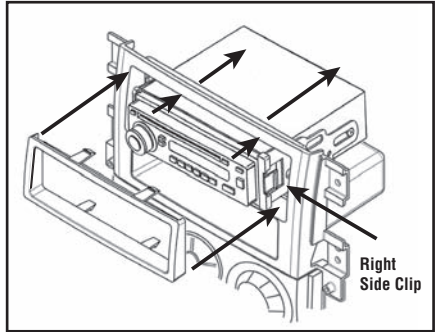
## Kit Assembly 99-7953

### ISO DIN head unit provision

1. Locate the factory wiring harness and antenna plug in the dash. Metra recommends using the proper mating adapters from Metra and/or AXCESS.
2. Mount the ISO brackets to the head unit with the screws supplied with the unit. (Figure A)
3. Slide the head unit into the radio opening until the side clips engage. (Figure B)
4. Snap the trim plate into the radio housing. (Figure B)
5. Reassemble dash in reverse order of disassembly.



(Figure A)



(Figure B)







**INSTALLATION INSTRUCTIONS FOR PART 99-7953**

REV. 5/18/11

**METRA. THE WORLD'S BEST KITS.™**



**1-800-221-0932**



**metraonline.com**

© COPYRIGHT 2004-2011 METRA ELECTRONICS CORPORATION