

**SUBARU – CLARION
CAR AUDIO
OPERATION**

Hi Radio Model

PF-3380I-A

1. Table of Contents

1.	Table of Contents	2
2.	OUTLINE.....	5
2-1.	Destination / Model Set Name	5
2-2.	Warning.....	5
2-3.	Surface Image.....	6
3.	Feature List.....	7
4.	Key Disposition.....	9
4-1.	Body.....	9
4-2.	Remote Controller.....	10
5.	Operation Specification.....	11
5-1.	Audio Common Operation.....	11
5-1-1.	VOLUME UP / DOWN.....	11
5-1-2.	Switch to TONE / BALANCE Adjustment Mode.....	12
5-1-3.	Adjust TONE / BALANCE UP / DOWN.....	13
5-2.	Operation of MENU.....	14
5-2-1.	Switch to MENU Mode.....	14
5-2-2.	BT Audio Setting.....	15
5-2-3.	Adjust SPEED VOLUME CONTROL (SVC).....	17
5-2-4.	Adjust SRS Sound.....	18
5-2-5.	Adjust BEEP.....	19
5-3.	Operation of RADIO (RBDS).....	20
5-3-1.	Initial Setting of RADIO.....	20
5-3-2.	Call / Switch RADIO Mode.....	21
5-3-3.	TUNE UP / DOWN.....	22
5-3-4.	SEEK UP / DOWN.....	23
5-3-5.	Call PRESET.....	24
5-3-6.	Write PRESET.....	25
5-3-7.	SCAN.....	26
5-3-8.	Select / SEEK PTY.....	27
5-3-9.	Switch to PS / RT.....	30
5-4.	Operation of Satellite Radio(XM).....	31
5-4-1.	Call /switch to XM mode.....	31
5-4-2.	CH UP / DOWN.....	32
5-4-3.	CHANNEL UP/DOWN FOR 10 DIGITS.....	33
5-4-4.	Category Search Mode.....	34
5-4-5.	Call Preset.....	35
5-4-6.	Write Preset.....	36
5-4-7.	SCAN.....	37
5-4-8.	Switch the Title.....	38
5-4-9.	Display RADIO ID.....	39

User Manual.doc

5-4-10. Advisory Message List	40
5-5. Operation of Satellite Radio (Sirius)	41
5-5-1. Call/Switch SR Mode.....	41
5-5-2. CH UP / DOWN.....	42
5-5-3. CHANNEL UP/DOWN FOR 10 DIGITS.....	43
5-5-4. Category Search Mode.....	44
5-5-5. Call Preset.....	45
5-5-6. Write Preset.....	46
5-5-7. SCAN.....	47
5-5-8. Switch the Title.....	48
5-5-9. Display RADIO ID.....	49
5-5-10. Advisory Message List	50
5-6. Media HUB Operation.....	51
5-6-1. Call /Switch Media HUB Mode.....	51
5-6-2. Track UP/DOWN.....	52
5-6-3. FF/FB.....	53
5-6-4. Browsing Mode.....	54
5-6-5. Select Operation Mode.....	55
5-6-6. Switch to TITLE.....	56
5-7. Operation of DISC	57
5-7-1. CD LOADING.....	57
5-7-2. EJECT CD.....	58
5-7-3. Playback Object (CD / USB).....	59
5-7-4. Switch to CD Mode.....	61
5-7-5. Playback / Pause (CD / USB).....	62
5-7-6. TRACK UP / DOWN.....	63
5-7-7. FOLDER UP / DOWN (DISC MP3/WMA/AAC).....	64
5-7-8. FF / FB.....	65
5-7-9. RPT	66
5-7-10. RDM	67
5-7-11. RPT/RDM Playlist of Track Transition.....	68
5-7-12. SCAN.....	74
5-7-13. Switch to TITLE (CD/USB).....	77
5-7-14. Send PAGE (CD/USB).....	78
5-7-15. Display ERROR Message (CD Mode).....	79
5-8. Operation of USB.....	80
5-8-1. USB CONNECT.....	80
5-8-2. USB DISCONNECT.....	81
5-8-3. Playback Object (CD/USB).....	82
5-8-4. Switch to USB Mode.....	83
5-8-5. Play / Pause (CD / USB).....	84
5-8-6. TRACK UP / DOWN (MSC).....	85
5-8-7. FOLDER UP / DOWN (MSC).....	86
5-8-8. TRACK UP / DOWN (iPod).....	87
5-8-9. CHAPTER UP / DOWN (iPod).....	88
5-8-10. FF / FB (MSC).....	89
5-8-11. FF / FB (iPod).....	90
5-8-12. RPT (MSC).....	91
5-8-13. RDM (MSC).....	92

User Manual.doc

5-8-14. RPT/RDM Playlist of Track Transition.....	93
5-8-15. SCAN.....	97
5-8-16. RPT (iPod).....	98
5-8-17. Shuffle (iPod).....	99
5-8-18. RPT/Shuffle Playlist of Track Transition.....	100
5-8-19. Select Category (iPod).....	104
5-8-20. Switch to TITLE.....	106
5-8-21. Send PAGE.....	107
5-8-22. Display ERROR (USB).....	108
5-9. Operation of Bluetooth Audio.....	110
5-9-1. Play / Pause.....	110
5-9-2. TRACK UP / DOWN.....	111
5-9-3. FOLDER UP / DOWN.....	112
5-9-4. RPT.....	113
5-9-5. RDM.....	114
5-9-6. RPT/RDM Playlist of Track Transition.....	115
5-9-7. Switch to TITLE.....	116
5-9-8. Send PAGE.....	117
5-10. Operation of Bluetooth HFP.....	118
5-10-1. VOICE COMMAND.....	118
5-10-2. VOICE COMMAND List.....	119
5-10-3. BT TOP MENU.....	121
5-10-4. INITIAL START (PAIRING).....	124
5-10-5. DIAL.....	125
5-10-6. Incoming Call.....	127
5-10-7. CALL.....	128
5-10-8. Registration Phone Book.....	129
5-10-9. PHONEBOOK (Others).....	132
5-10-10. BT SETUP (SECURITY).....	135
5-10-11. BT SETUP (PHONE SETUP).....	138
5-10-12. BT SETUP (SYSTEM SETUP).....	141
5-10-13. DELETE HISTORY.....	142
5-11. Operation of AUX.....	143
5-12. OTHERS.....	144
5-12-1. POWER ON.....	144
5-12-2. BEEP.....	145
5-12-3. TEL MUTE.....	146
5-12-4. Operation of Steering Controller.....	147
5-12-5. CONTROL BRIGHTNESS & ILLUMI.....	156

2. OUTLINE

2-1. Destination / Model Set Name

Outline	Car	Model Set	Destination	Note
2DIN size 1CD player	EX7	PF-3380	North America (U)	Left Hand Drive Car

2-2. Warning (North America (U) model)

- Changes or modifications not expressly approved by the party responsible for compliance could void the user's authority to operate the equipment.
- This equipment complies with FCC/IC radiation exposure limits set forth for an uncontrolled environment and meets the FCC radio frequency (RF) Exposure Guidelines in Supplement C to OET65 and RSS-102 of the IC radio frequency (RF) Exposure rules. This equipment has very low levels of RF energy that it deemed to comply without maximum permissive exposure evaluation (MPE). But it is desirable that it should be installed and operated keeping the radiator at least 20cm or more away from person's body (excluding extremities: hands, wrists, feet and ankles).
- This transmitter must not be co-located or operated in conjunction with any other antenna or transmitter.

2-3. Surface Image



3. Feature List

Mode	Function	Destination	Note
Radio	AM(MW) Frequency Band(kHz)	530~1710	10kHz step
	FM Frequency band(MHz)	87.75~107.9	200kHz step
	Number of Preset AM Station	6 × 2	
	Number of Preset FM Station	6 × 3	
	MANUAL UP/DOWN	○	
	SEEK UP/DOWN	○	
	AUTO STORE	○	
	Existence Station SCAN UP	○	
	Switch to LO/DX	AUTO	
	PS	○	
	Selection PTY	○	Group Selection
	PTY SEEK	○	Group Selection
	RADIO TEXT	○	
SAT (XM)	Number of Preset Station	6 × 3	
	CHANNEL UP/DOWN	○	
	CHANNEL10Digits UP/DOWN	○	
	CHANNEL SCAN UP	○	
	CATEGORY SEARCH MODE	○	
	CATEGORY UP/DOWN	○	IN CATEGORY SEARCH MODE
	DISPLAY TITLE	○	WithoutPage transition
SAT (Sirius)	Number of Preset Station	6 × 3	
	CHANNEL UP/DOWN	○	
	CHANNEL10Digits UP/DOWN	○	
	CHANNEL SCAN UP	○	
	CATEGORY SEARCH MODE	○	
	CATEGORY UP/DOWN	○	IN CATEGORY SEARCH MODE
	DISPLAY TITLE	○	WithoutPage transition
CD	TRACK UP/DOWN	○	
	FOLDER UP/DOWN	○	Only for playing compressed audio
	FF/FB	○	
	TRACK REPEAT	○	
	FOLDER REPEAT	○	Only for playing compressed audio
	ALL RANDOM	○	
	FOLDER RANDOM	○	Only for playing compressed audio
	SCAN	○	
	DISPLAY CD-TEXT	○	
	DISPLAY FOLDER/FILE NAME	○	Only for playing compressed audio
	BACKUP EJECT	○	
	PLAYBACK COMPRESSED AUDIO	○	Support MP3/WMA/AAC
	PLAYBACK CD-R/RW	○	
USB	TRACK UP/DOWN	○	
	FOLDER UP/DOWN	○	Only for playing compressed audio
	FF/FB	○	

User Manual.doc

	TRACK REPEAT	○	
	FOLDER REPEAT	○	Only for playing compressed audio
	ALL RANDOM	○	
	FOLDER RANDOM	○	Only for playing compressed audio
	FOLDER SCAN	○	Only for playing compressed audio
	DISPLAY FOLDER/FILE NAME	○	Only for playing compressed audio
	PLAYBACK COMPRESSED AUDIO	○	SUPPORT MP3/WMA/AAC
	PLAYBACK iPod	○	MUSIC ONLY
Bluetooth	HFP	○	
	OPP	○	
	A2DP	○	
	AVRCP (Ver.1.3)	○	
	VOICE RECOGNITION	H/F OPERATION AUDIO OPERATION MULTI LANGUAGES SUPPORT	○ ○ ENGLISH, FRENCH
AUDIO	VOLUME	○	0~+40
	BASS/MID/TREBLE	○	±8/±8/±8
	BALANCE/FADER	○	±9/±9
	SWITCH BEEP ON/OFF	○	
	LOUDNESS	○	FIXED ON
	MUTE	○	Only for the key of Steering Controller
	BEEP	○	possible to switch ON/OFF
	SUPPORT STEERING REMOTE CONTROLLER	○	
	DISPLAY AREA (LCD)	5 × 7dot × 15digits × 2lines	
	BUS	Sie-BUS	No Ce-NET
	SUPPORT TEL MUTE	○	
	CONNECT TO AUX	○	
	ADJUST AUX VOLUME	○	
	1STEP DIMMER	○	
	イルミコントロール Function	○	
CONNECTION DEVICE	XM-BB Sirius-BB MEDIA-HUB	Sie-BUS	
SPEED VOICE CONTROL (SVC)	○	CAN	

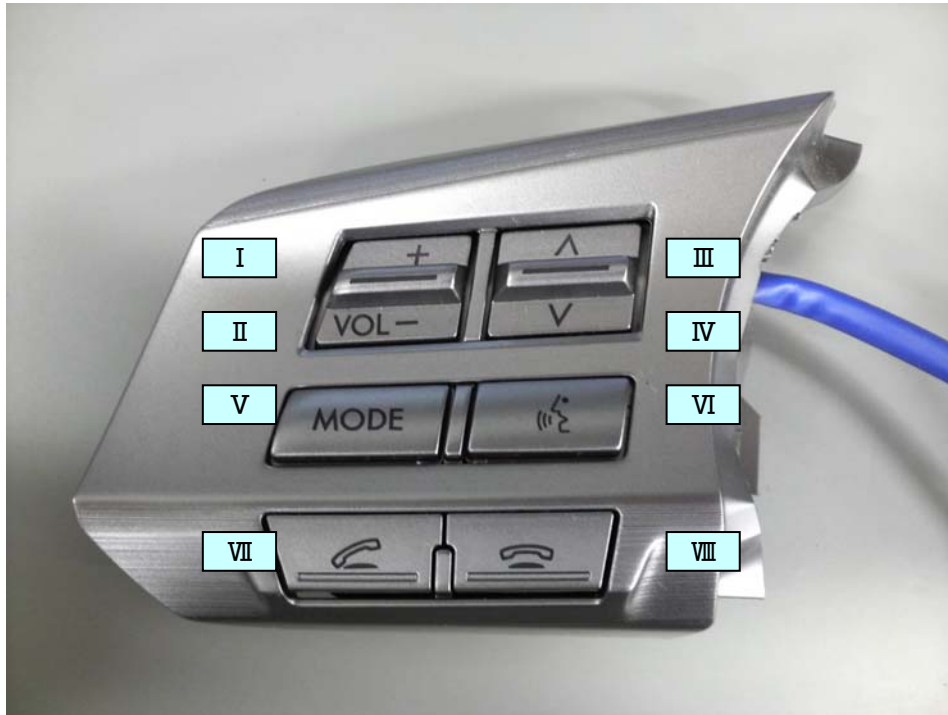
4. Key Disposition

4-1. Body



記号	Destination	Key Name
A		EJECT
B		PTY / CAT
C		A.S.
D		SCAN
E		TEXT
F		RPT / RDM
G		MENU
H		LIST / BACK
I		CD / AUX
J		FM
K		AM
L		SAT
M		UP
N		DOWN
O		<<
P		>>
Q		VOLUME
R		TUNE
S		1
T		2
U		3
V		4
W		5
X		6

4-2. Remote Controller



Destination Symbol	Key Name
I	VOLUME +
II	VOLUME -
III	UP
IV	DOWN
V	MODE
VI	TALK
VII	OFF HOOK
VIII	ON HOOK

5. Operation Specification

5-1. Audio Common Operation

5-1-1. VOLUME UP / DOWN

Function	<input type="checkbox"/> VOLUME UP / DOWN
Operation of button	<input type="checkbox"/> Turn left/right the <input type="text" value="VOLUME"/> key
Detail	<input type="checkbox"/> There are 41 steps in VOLUME STEP from Step0 to Step40. <input type="checkbox"/> The set will keep the volume value for each of connection AUX and other modes.(such as RADIO,CD mode) <input type="checkbox"/> Initial volume value is 15. <input type="checkbox"/> Initial volume value of AUX mode is 15. <input type="checkbox"/> If you turn right the <input type="text" value="VOLUME"/> key, the volume value will be 1 step up. <input type="checkbox"/> If you turn left the <input type="text" value="VOLUME"/> key, the volume value will be 1 step down. <input type="checkbox"/> If you adjust volume, it will display the volume value such as "VOLUME 15". <input type="checkbox"/> If you turn right when the volume value is the max value (40), or turn left when the volume value is the min value(0), the volume value will not be changed. <input type="checkbox"/> The <input type="text" value="VOLUME"/> key of set will be effective when playing FF/FB in CD mode. <input type="checkbox"/> The <input type="text" value="VOLUME"/> key of Steering Controller will be not effective when playing FF/FB in CD mode. <input type="checkbox"/> The <input type="text" value="VOLUME"/> key of set will be not effective in BT-TEL mode. (incoming call/calling/voice information) <input type="checkbox"/> Volume adjustment will be released by following conditions. <ul style="list-style-type: none"> <input type="checkbox"/> No volume adjustment operation in 5 seconds. <input type="checkbox"/> When you turn ACC / POWER off. <input type="checkbox"/> When you touch any effective key in any source mode.

5-1-2. Switch to TONE / BALANCE Adjustment Mode

Function	<input type="checkbox"/> Switch to TONE / BALANCE Adjustment Mode (BASS / MIDDLE / TREBLE / FADER / BALANCE)
Operation of button	<input type="checkbox"/> Touch the <input type="text" value="TUNE"/> key for less than 1.5sec. (Operation when Key is OFF)
Detail	<p><input type="checkbox"/> If you touch the <input type="text" value="TUNE"/> key for less than 1.5sec, it will switch to TONE / BALANCE adjustment mode.</p> <p><input type="checkbox"/> It will go to next mode like following, when you touch the <input type="text" value="TUNE"/> key.</p> <p style="text-align: center;"> <input type="text" value="Normal Mode"/> → <input type="text" value="BASS"/> → <input type="text" value="MIDDLE"/> → <input type="text" value="TREBLE"/> → <input type="text" value="FADER"/> → <input type="text" value="BALANCE"/> → <input type="text" value="Normal Mode"/> </p> <p><input type="checkbox"/> TONE / BALANCE adjustment mode will be released by following conditions.</p> <ul style="list-style-type: none"> <input type="checkbox"/> No operation is done in 5 seconds after you switch to next TONE / BALANCE adjustment mode. <input type="checkbox"/> When you turn ACC / POWER off. <input type="checkbox"/> When you touch the <input type="text" value="TUNE"/> key in BALANCE adjustment mode. <input type="checkbox"/> When you touch any effective key in any source mode.

5-1-3. Adjust TONE / BALANCE UP / DOWN

Function	<input type="checkbox"/> Adjust TONE / BALANCE UP / DOWN (BASS / MIDDLE / TREBLE / FADER / BALANCE)																													
Operation of button	<input type="checkbox"/> Turn left/right the <input type="text" value="TUNE"/> key																													
Detail	<input type="checkbox"/> If you turn the <input type="text" value="TUNE"/> key in T/B adjustment mode, the T/B adjustment value will be up/down. <input type="checkbox"/> When the adjustment value becomes 0 (CENTER) by your operation, the value will be hold on for 500msec. <input type="checkbox"/> If you turn right the key when the value is the max, or you turn left when the value is the min, the adjustment value will not be changed. <input type="checkbox"/> The range of the T/B adjustment value is the following.																													
	<table border="1" style="width: 100%; text-align: center;"> <thead> <tr> <th>Mode</th> <th>Adjustment Step</th> <th>Adjustment Range</th> <th>Total Steps</th> <th>Init Value</th> </tr> </thead> <tbody> <tr> <td>BASS</td> <td>±1step</td> <td>-8 ~ +8</td> <td>17</td> <td>0</td> </tr> <tr> <td>MIDDLE</td> <td>±1step</td> <td>-8 ~ +8</td> <td>17</td> <td>0</td> </tr> <tr> <td>TREBLE</td> <td>±1step</td> <td>-8 ~ +8</td> <td>17</td> <td>0</td> </tr> <tr> <td>FADER</td> <td>R/F ±1step</td> <td>R 9 ~ F 9</td> <td>19</td> <td>0</td> </tr> <tr> <td>BALANCE</td> <td>L/R ±1step</td> <td>L 9 ~ R 9</td> <td>19</td> <td>0</td> </tr> </tbody> </table> <p style="text-align: center;">Turn Left ← <input type="text" value="TUNE"/> → Turn Right</p>	Mode	Adjustment Step	Adjustment Range	Total Steps	Init Value	BASS	±1step	-8 ~ +8	17	0	MIDDLE	±1step	-8 ~ +8	17	0	TREBLE	±1step	-8 ~ +8	17	0	FADER	R/F ±1step	R 9 ~ F 9	19	0	BALANCE	L/R ±1step	L 9 ~ R 9	19
Mode	Adjustment Step	Adjustment Range	Total Steps	Init Value																										
BASS	±1step	-8 ~ +8	17	0																										
MIDDLE	±1step	-8 ~ +8	17	0																										
TREBLE	±1step	-8 ~ +8	17	0																										
FADER	R/F ±1step	R 9 ~ F 9	19	0																										
BALANCE	L/R ±1step	L 9 ~ R 9	19	0																										

5-2. Operation of MENU

5-2-1. Switch to MENU Mode

Function	<input type="checkbox"/> Call / Switch to MENU Mode
Operation of button	<input type="checkbox"/> Touch the <input type="text" value="MENU"/> key. (Action when Key is ON.)
Detail	<p><input type="checkbox"/> It will go to next mode like following, when you touch the <input type="text" value="MENU"/> key.</p> <p><input type="checkbox"/> Initial setting is "OFF".</p> <div style="text-align: center;"> <pre> graph LR A[OFF] --> B[BT Audio] B --> C[SVC] C --> D[SRS Sound] D --> E[BEEP] E --> F[OFF] </pre> </div> <p><input type="checkbox"/> MENU mode will be released by following conditions.</p> <ul style="list-style-type: none"> <input type="checkbox"/> No operation is done in 5 seconds after you switch to next menu mode. <input type="checkbox"/> When you turn ACC / POWER off. <input type="checkbox"/> When you touch <input type="text" value="MENU"/> key in BEEP adjustment mode. <input type="checkbox"/> When you touch any effective key in any source mode.

5-2-2. BT Audio Setting

Function	<p><input type="checkbox"/> Bluetooth Audio Setting</p> <ul style="list-style-type: none"> <input type="checkbox"/> PAIR AUDIO : Pair to a mobile phone which has A2Dpprofile. <input type="checkbox"/> SELECT AUDIO : Select a mobile phone from registration list. <input type="checkbox"/> SET PASSKEY : Set passkey for pairing. <input type="checkbox"/> DELETE AUDIO : Delete a mobile phone from registration list. <p>※ BT Audio setting is not effective when driving. ※ Touch “GO BACK” on the top of each item to release menu mode and go back to the last source.</p>
Operation of button	<p><input type="checkbox"/> PAIR AUDIO</p> <ol style="list-style-type: none"> 1. Select “PAIR AUDIO” <ul style="list-style-type: none"> <input type="checkbox"/> Key Operation : Turn the <input type="checkbox"/> TUNE key in BT Audio Setup MENU, select “PAIR AUDIO” and touch. ※ It will display “MEMORY FULL” for 2sec and go to BT Audio Setting Menu if there are more than one BT audio in registration list. 2. Make it waiting for searching and put in the passkey by mobile phone. <ul style="list-style-type: none"> <input type="checkbox"/> SET SIDE : It will go to display passkey text automatically after displayed “CAR M MEDIA”. <input type="checkbox"/> MOBILE SIDE : Put in the passkey by mobile phone after finishing searching. ※The passkey should be the same to the HF set. <p>○When paired successfully it will display Device Name and go to BT Audio Setting Menu after displaying “PAIRED”.</p> <p>○When failed in pairing it will go to BT Audio Setting Menu after displaying “FAILED”.</p> <p>※ Initial passkey is “1234”.</p> <p>※ Touch the <input type="checkbox"/> BACK key to release from waiting for searching.</p> <p>※ Touch the <input type="checkbox"/> BACK key to go back to BT Audio Setting Menu.</p> <p><input type="checkbox"/> SELECT AUDIO</p> <ol style="list-style-type: none"> 1. Select “SELECT AUDIO” <ul style="list-style-type: none"> <input type="checkbox"/>Key Operation: Turn the <input type="checkbox"/> TUNE key in BT Audio Setup MENU, select “SELECT AUDIO” and touch. ※ It will display “EMPTY” for 2sec and go to BT Audio setting if there is no BT audio in registration list. 2. Confirm the connection <ul style="list-style-type: none"> <input type="checkbox"/> Key Operation : Turn the <input type="checkbox"/> TUNE key when displaying “BT Audio”, select “CONFIRM” and touch. <input type="checkbox"/> When connected successfully it will go to BT Audio setting after displaying “SELECTED”. <input type="checkbox"/> When failed in connecting it will go to BT Audio setting after displaying “FAILED”.

	<p><input type="checkbox"/> SET PASSKEY</p> <p>1. Select "SET PASSKEY"</p> <p><input type="checkbox"/> Key Operation : Turn the TUNE key when in BT Audio Setup MENU, select "SET PASSKEY" and touch.</p> <p>2. Set PASSKEY</p> <p><input type="checkbox"/> It will display the current passkey (PKY:XXXXXXXX), then display new PASSKEY INPUT TEXT.</p> <ul style="list-style-type: none"> ※ 4-8 digits number is available. ※ If you set new passkey in BT Audio, the passkey of HF set is also changed. The same is true in reverse. ※ Initial passkey is "1234". <p><input type="checkbox"/> Key Operation : Turn the TUNE key when displaying "BT Audio", input numbers and touch.</p> <p>3. Confirm the New Passkey</p> <p><input type="checkbox"/> Key Operation : Turn the TUNE key when displaying "BT Audio", select "CONFIRM" and touch.</p> <p><input type="checkbox"/> When finishes resetting the passkey it will go to BT Audio Setting Menu after displaying the New PASSKEY for 2sec.</p> <p><input type="checkbox"/> DELETE AUDIO</p> <p>1. Select "DELETE AUDIO"</p> <p><input type="checkbox"/> Key Operation : Turn the TUNE key in BT Audio Setup MENU, select "DELETE AUDIO" and touch.</p> <p>※ It will display "EMPTY" for 2sec and go to BT Audio setting if there is no BT audio in registration list.</p> <p>2. Confirm Delection</p> <p><input type="checkbox"/> Key Operation : Turn the TUNE key to select "CONFIRM" and touch.</p> <p><input type="checkbox"/> When finish deleting the passkey it will go to BT Audio setting after displaying "DELETED" for 2sec.</p>
Detail	<p><input type="checkbox"/> It is not available to registrate VOICE TAG.</p> <p><input type="checkbox"/> VOICE COMAND is not available for this function.</p> <p><input type="checkbox"/> Only one Audio model can be registrated.</p> <p><input type="checkbox"/> There is no timeout in BT Audio menu.</p>

5-2-3. Adjust SPEED VOLUME CONTROL (SVC)

Function	<input type="checkbox"/> Adjust SPEED VOLUME CONTROL (SVC) in Menu Mode									
Operation of button	<input type="checkbox"/> Turn the <input type="text" value="TUNE"/> key									
Detail	<input type="checkbox"/> Turn the <input type="text" value="TUNE"/> key while adjusting SVC in MENU Mode to adjust SVC <input type="checkbox"/> Initial setting is OFF. <input type="checkbox"/> The adjustment value will not be changed if you turn up when it is the MAX value, or turn down when it is the MIN value. <input type="checkbox"/> Adjustment range is the following.									
	<table border="1" style="margin: auto;"> <thead> <tr> <th>Mode</th> <th>Adjustment Step</th> <th>Adjustment Range</th> <th>Total Steps</th> <th>Initial Value</th> </tr> </thead> <tbody> <tr> <td>SVC</td> <td>±1step</td> <td>OFF ~ 2</td> <td>3</td> <td>OFF</td> </tr> </tbody> </table> <p style="text-align: center;">Turn Left ← <input type="text" value="TUNE"/> → Turn Right</p>	Mode	Adjustment Step	Adjustment Range	Total Steps	Initial Value	SVC	±1step	OFF ~ 2	3
Mode	Adjustment Step	Adjustment Range	Total Steps	Initial Value						
SVC	±1step	OFF ~ 2	3	OFF						

5-2-4. Adjust SRS Sound

Function	<input type="checkbox"/> Switch SRS Sound ON/OFF in MENU Mode
Operation of button	<input type="checkbox"/> Turn the <input type="text" value="TUNE"/> key while adjusting SRS Sound.
Detail	<input type="checkbox"/> Turn the <input type="text" value="TUNE"/> key while adjusting SRS Sound to switch SRS Sound ON/OFF. <input type="checkbox"/> Initial setting is OFF. <input type="checkbox"/> The adjustment value will not be changed if you turn up when it is ON, or turn down when it is OFF.

5-2-5. Adjust BEEP



Function	<input type="checkbox"/> Switch BEEP ON/OFF in MENU Mode
Operation of button	<input type="checkbox"/> Turn the <input type="checkbox"/> TUNE key while adjusting BEEP.
Detail	<input type="checkbox"/> Turn the <input type="checkbox"/> TUNE key while adjusting BEEP to switch BEEP ON/OFF. <input type="checkbox"/> Initial setting is ON. <input type="checkbox"/> The adjustment value will not be changed if you turn up when it is ON, or turn down when it is OFF.

5-3. Operation of RADIO (RBDS)

5-3-1. Initial Setting of RADIO

Function	<input type="checkbox"/> Initial Setting of RADIO Frequency / Preset CHANNEL							
Operation of button	—							
Detail	■RADIO Setting							
		BAND		FM		AM		
	Item							
	Frequency Range	87.75 ~ 107.9 MHz		530 ~ 1710 kHz				
	Receiving Step	200 kHz		10 kHz				
	SEEKStep	200 kHz		10 kHz				
	Band	3 BAND		2 BAND				
	Initial Value of Band/ Frequency	FM1	98.1 MHz		AM1	1000 kHz		
		FM2	87.7 MHz		AM2	530kHz		
		FM3	87.7 MHz			—		
	※ 87.75 will be display as 87.7. ※ Preset Number will not be displayed initial.							
	■Initial Value of Preset CHANNEL							
		CH	1ch	2ch	3ch	4ch	5ch	6ch
	BAND							
	FM1 (MHz)		87.7	90.1	98.1	106.1	107.9	87.7
FM2 (MHz)		87.7	87.7	87.7	87.7	87.7	87.7	
FM3 (MHz)		87.7	87.7	87.7	87.7	87.7	87.7	
AM1 (kHz)		530	600	1000	1400	1630	530	
AM2 (kHz)		530	530	530	530	530	530	
※ It will display the CHANNEL Number only when you touch the “PRESET” key. ⇒ It will not display preset channel even the Frequency searched bay TUNE/SEEK is the same as Preset memory..								

5-3-2. Call / Switch RADIO Mode

Function	<input type="checkbox"/> Call FM/AM RADIO Mode and Switch to BAND
Operation of button	<input type="checkbox"/> Touch the <input type="checkbox"/> FM <input type="checkbox"/> or <input type="checkbox"/> AM key
Detail	<p><input type="checkbox"/> If you touch <input type="checkbox"/> FM <input type="checkbox"/> or <input type="checkbox"/> AM key in other source mode, it will start to receive Frequency of last Band and last memory.</p> <p><input type="checkbox"/> It is also effective when POWER OFF.</p> <p><input type="checkbox"/> ((ST)) indicator will blink while receiving Stereo Broadcast in FM mode.</p> <p><input type="checkbox"/> If you touch the <input type="checkbox"/> FM key in FM mode, it will switch to next Band like following.</p> <div style="text-align: center;">  <pre> graph LR FM1[FM1] --> FM2[FM2] FM2 --> FM3[FM3] FM3 --> FM1 </pre> </div> <p><input type="checkbox"/> If you touch the <input type="checkbox"/> AM key in AM mode, it will switch to next Band like following.</p> <div style="text-align: center;">  <pre> graph LR AM1[AM1] --> AM2[AM2] AM2 --> AM1 </pre> </div>

5-3-3. TUNE UP / DOWN

Function	<input type="checkbox"/> RADIO TUNE UP/DOWN
Operation of button	<input type="checkbox"/> Turn the <input type="checkbox"/> TUNE key
Detail	<input type="checkbox"/> If you turn right the <input type="checkbox"/> TUNE key in radio mode, the receiving frequency will be 1 step up. <input type="checkbox"/> If you turn left the <input type="checkbox"/> TUNE key in radio mode, the receiving frequency will be 1 step down. <input type="checkbox"/> If you turn up when frequency is the maximum, it will go to the minimum frequency. <input type="checkbox"/> If you turn down when frequency is the minimum, it will go to the maximum frequency.

5-3-4. SEEK UP / DOWN

Function	<input type="checkbox"/> RADIO SEEK UP/DOWN
Operation of button	<input type="checkbox"/> Touch the <input type="button" value=">>"/> & <input type="button" value="<<"/> key (Action when Key is ON.)
Detail	<p><input type="checkbox"/> If you touch the <input type="button" value=">>"/> or <input type="button" value="<<"/> key in RADIO mode, the receiving frequency will seek up or down.</p> <p><input type="checkbox"/> It will be MUTE while seeking.</p> <p><input type="checkbox"/> If the frequency reaches the maximum when you are seeking up, it will go back to the minimum frequency and go on seeking up.</p> <p><input type="checkbox"/> If the frequency reaches the minimum when you are seeking down, it will go back to the maximum frequency and go on seeking down.</p> <p><input type="checkbox"/> When it goes back to the maximum/minimum frequency, it will keep the next frequency for 500msec then go on seeking.</p> <p><input type="checkbox"/> If you go to volume adjustment mode or T/B adjustment mode while seeking, the adjustment value will be kept even frequency seek finishes after a receiving station is sought out.</p> <p><input type="checkbox"/> Sensitivity of seeking AM is linked to the illumination. It will be LO SEEK when the illumination is ON, and be DX SEEK when the illumination is OFF.</p> <p><input type="checkbox"/> Sensitivity of seeking FM is fixed to DX.</p> <p><input type="checkbox"/> SEEK mode will be released by following conditions.</p> <ul style="list-style-type: none"> <input type="checkbox"/> When received a station which is possible to be received. <input type="checkbox"/> When you go to other sourcemode. (The last frequency is the frequency before seeking.) <input type="checkbox"/> When you switch to other band. (The last frequency is the frequency before seeking) <input type="checkbox"/> when you turn ACC / POWER OFF. (The last frequency is the frequency before seeking) <input type="checkbox"/> When you turn the <input type="button" value="TUNE"/> key. (Stop at the frequency when key is ON) <input type="checkbox"/> When you touch the <input type="button" value=">>"/> or <input type="button" value="<<"/> key. (Stop at the frequency when key is ON) <input type="checkbox"/> When you touch the <input type="button" value="1"/> ~ <input type="button" value="6"/> key. (Call the cahannel you touch when key is ON) <input type="checkbox"/> When you touch the <input type="button" value="SCAN"/> key. (Scan starts from the frequency when key is ON) <input type="checkbox"/> When you touch the <input type="button" value="PTY / CAT"/> key. (Start PTY selection mode from the frequency when key is ON.)

5-3-5. Call PRESET

Function	<input type="checkbox"/> Call RADIO Preset Channel
Operation of button	<input type="checkbox"/> Touch the <input type="checkbox"/> 1 <input type="checkbox"/> ~ <input type="checkbox"/> 6 key for less than 1.5sec.
Detail	<p><input type="checkbox"/> If you touch the <input type="checkbox"/> 1 <input type="checkbox"/> ~ <input type="checkbox"/> 6 key for less than 1.5sec in RADIO mode, it will call the frequency which is kept as the memory of the key.</p> <p><input type="checkbox"/> It will switch the channel number display when key is ON.</p> <p><input type="checkbox"/> It will switch the frequency display when key is OFF.</p> <p><input type="checkbox"/> It is available to receive the frequency of preset channel when key is OFF.</p> <p><input type="checkbox"/> It will not work when you touch the key that its preset memory has been received.</p> <p><input type="checkbox"/> The following keys are effective before key OFF. (KEY ON~Less than 1.5sec KEY OFF)</p> <p><input type="checkbox"/> the <input type="checkbox"/> VOLUME key</p> <p><input type="checkbox"/> the <input type="checkbox"/> EJECT key</p>

5-3-6. Write PRESET

Function	<input type="checkbox"/> Preset Memori of RADIO frequency
Operation of button	<input type="checkbox"/> Touch the <input type="checkbox"/> 1 <input type="checkbox"/> ~ <input type="checkbox"/> 6 key for more than 1.5sec.
Detail	<input type="checkbox"/> Touch the <input type="checkbox"/> 1 <input type="checkbox"/> ~ <input type="checkbox"/> 6 key in RADIO mode for more than 1.5sec, it will preset the frequency as the memory of the key you touched. <input type="checkbox"/> BEEP sounds when memory is confirmed. <input type="checkbox"/> The displaying CH number will blink once when memory is confirmed. <input type="checkbox"/> It will not work when you touch the key which the preset memory has been received. <input type="checkbox"/> The following keys are effective before key OFF. <input type="checkbox"/> the <input type="checkbox"/> VOLUME <input type="checkbox"/> key <input type="checkbox"/> the <input type="checkbox"/> EJECT <input type="checkbox"/> key

5-3-7. SCAN

Function	<input type="checkbox"/> RADIO Station SCAN UP
Operation of button	<input type="checkbox"/> Touch <input type="checkbox"/> SCAN key
Detail	<p><input type="checkbox"/> If you touch the <input type="checkbox"/> SCAN key in RADIO mode, it will start to scan radio station which is possible to receive.</p> <p><input type="checkbox"/> It will start to scan radio stations, which is possible to receive, from the next frequency.</p> <p><input type="checkbox"/> It will be mute while scanning, if there is no station which is possible to receive.</p> <p><input type="checkbox"/> Mute mode will be off and radio sound comes out, when radio station, which is possible to receive, is found.</p> <p><input type="checkbox"/> When radio station, which is possible to receive, is found, it will receive the frequency for 5 seconds, then goes on to scan the next station.</p> <p><input type="checkbox"/> It will scan around for once, and stop when it goes to the frequency that it starts.</p> <p><input type="checkbox"/> It will not scan the beginning station (the ending station).</p> <p><input type="checkbox"/> SCAN mode will be released by following conditions.</p> <ul style="list-style-type: none"> <input type="checkbox"/> When you go to other sourcemode. (The last frequency is the frequency before scan.) <input type="checkbox"/> When you switch to other band. (The last frequency is the frequency before scan.) <input type="checkbox"/> when you turn ACC / POWER OFF. (The last frequency is the frequency before scan.) <input type="checkbox"/> When you turn the <input type="checkbox"/> TUNE key. (Stop at the frequency when key is ON) <input type="checkbox"/> When you touch the <input type="checkbox"/> >> or <input type="checkbox"/> << key. (Stop at the frequency when key is ON) <input type="checkbox"/> When you touch the <input type="checkbox"/> 1 ~ <input type="checkbox"/> 6 key. (Call the cahannel you touch when key is ON) <input type="checkbox"/> When you touch the <input type="checkbox"/> SCAN key. (Scan starts from the frequency when key is ON) <input type="checkbox"/> When you touch the <input type="checkbox"/> PTY / CAT key. (Start PTY selection mode from the frequency when key is ON.)

5-3-8. Select / SEEK PTY

Function	<input type="checkbox"/> Select / Seek RADIO PTY Group
Operation of button	<input type="checkbox"/> Touch the <input type="button" value="PTY / CAT"/> key (PTY selection mode ON) <input type="checkbox"/> Touch the <input type="button" value="FOLDER UP"/> or <input type="button" value="FOLDER DOWN"/> key (PTY UP/DOWN) <input type="checkbox"/> Touch the <input type="button" value=">>"/> or <input type="button" value="<<"/> key (PTY SEEK)
Detail	<p>■PTY Group Selection Mode</p> <input type="checkbox"/> If you touch the <input type="button" value="PTY / CAT"/> key in FM mode, it will go to PTY Group Selection Mode and display the PTY group being selected for 10 seconds. <input type="checkbox"/> It will display 「PTY」 in PTY Group Selection Mode. <input type="checkbox"/> If you touch the <input type="button" value="FOLDER UP"/> key in PTY Group Selection Mode, PTY group will be 1 step up. <input type="checkbox"/> If you touch the <input type="button" value="FOLDER DOWN"/> key in PTY Group Selection Mode, PTY group will be 1 step down. <input type="checkbox"/> Only the display will change by touching the <input type="button" value="FOLDER UP"/> or <input type="button" value="FOLDER DOWN"/> key, PTY Group will not. (The sound will not change, either) <input type="checkbox"/> Initial PTY Group is 「ALL PTY」. <p>■PTY SEEK</p> <input type="checkbox"/> If you touch the <input type="button" value=">>"/> key in PTY Group Selection Mode, it will start to seek up in selected PTY group. <input type="checkbox"/> If you touch the <input type="button" value="<<"/> key in PTY Group Selection Mode, it will start to seek down in selected PTY group. <input type="checkbox"/> It will keep PTY Group Selection Mode for 10 seconds even if it does not find the station match with the PTY Group. <input type="checkbox"/> PTY GROUP Selection Mode will be released by following conditions. <ul style="list-style-type: none"> <input type="checkbox"/> If you do no operation to change PTY for 10seconds. <input type="checkbox"/> When you turn ACC / POWER OFF. (The last frequency is the frequency when released.) <input type="checkbox"/> When you go to other source mode. (The last frequency is the frequency when released.) <input type="checkbox"/> When you switch to other BAND. (The last frequency is the frequency when released.) <input type="checkbox"/> Touch the <input type="button" value="PTY / CAT"/> key ※It will not scan in PTY Group.

5-3-8-1. PTY List

PTY Code	PTY Name	PTY Code	PTY Name
0	NO PTY	16	R&B
1	NEWS	17	SOFT R&B
2	INFORMATION	18	LANGUAGE
3	SPORTS	19	RELIGIOUS MUSIC
4	TALK	20	RELIGIOUS TALK
5	ROCK	21	PERSONALITY
6	CLASSIC ROCK	22	PUBLIC
7	ADULT HITS	23	COLLEGE
8	SOFT ROCK	24	NONE
9	TOP 40	25	NONE
10	COUNTRY	26	NONE
11	OLDIES	27	NONE
12	SOFT	28	NONE
13	NOSTALGIA	29	WEATHER
14	JAZZ	30	EMERGENCY TEST
15	CLASSICAL	31	EMERGENCY

5-3-8-2. PTY GROUP List

No	GROUP NAME	PTY Code of Object
1	ALL PTY	0~30
2	INFO	1~4
3	ROCK	5、6
4	SOFT	7、8、12
5	TOP 40	9
6	COUNTRY	10
7	OLDIES	11、13
8	JAZZ	14
9	CLASSICAL	15
10	R & B	16、17
11	RELIGIOUS	19、20
12	MISC	18、21~28、30
13	WEATHER	29

※ PTY Code 31 (EMERGENCY) is included by all the PTY groups.

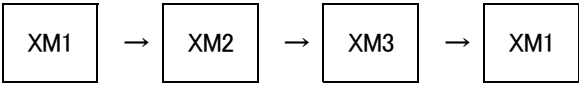
※ All the PTY GROUP NAME are capital letter.

5-3-9. Switch to PS / RT

Function	<input type="checkbox"/> Display RADIO PS (Program Service Name) and Switch to RT (Radio Text) Display
Operation of button	<input type="checkbox"/> Touch the <input type="text" value="TEXT"/> key for less than 0.5sec.
Detail	<p><input type="checkbox"/> If PS/RT exists, it will switch to display next like following when you touch the <input type="text" value="TEXT"/> key for less than 0.5sec.</p> <p><input type="checkbox"/> Initial setting is displaying PS.</p> <div style="text-align: center; margin: 10px 0;"> <pre> graph LR A[Display PS] --> B[Display RT] B --> C[Display frequency] C --> D[Display PS] </pre> </div> <p><input type="checkbox"/> It will display maximum 8 characters of PS.</p> <p><input type="checkbox"/> It will display maximum 64 characters of RT.</p> <p><input type="checkbox"/> When RT is more than 13 characters, touch the <input type="text" value="TEXT"/> key for less than 0.5sec to switch to next page.</p> <p><input type="checkbox"/> Operation specification of switch page is same to “Send Page” in CD Chapter.</p> <p><input type="checkbox"/> PS displaying will be Right-aligned.</p> <p><input type="checkbox"/> The <input type="text" value="TEXT"/> key is effective in SCAN mode.</p> <p><input type="checkbox"/> The <input type="text" value="TEXT"/> key is not effective while adjusting VOLUME / AUDIO / MENU.</p>

5-4. Operation of Satellite Radio(XM)

5-4-1. Call /switch to XM mode

Function	<input type="checkbox"/> Call /Switch to XM mode
Operation of button	<input type="checkbox"/> Touch <input type="text" value="SAT"/> key
Detail	<p><input type="checkbox"/> If you touch the <input type="text" value="SAT"/> key when it is in other source mode, it will start to receive the channel signal of last band and last memory of XM.</p> <p><input type="checkbox"/> It is effective when POWER OFF.</p> <p><input type="checkbox"/> The XM band will switch to next like the following when you touch <input type="text" value="SAT"/> key in XM mode..</p> <div style="text-align: center;">  <pre> graph LR XM1[XM1] --> XM2[XM2] XM2 --> XM3[XM3] XM3 --> XM1 </pre> </div> <p>※ The display will be "SAT" but not "XM".</p> <p><input type="checkbox"/> When receiving channel signal, it will go to the last mode after displaying the channel No. for 3 seconds.</p> <p><input type="checkbox"/> Initial setting is BAND1 (XM1) and CHANNEL001 (PREVIEW CHANNEL).</p>

5-4-2. CH UP / DOWN

Function	<input type="checkbox"/> SAT CHANNEL UP/DOWN
Operation of button	<input type="checkbox"/> Turn up/down the <input type="text" value="TUNE"/> key
Detail	<input type="checkbox"/> If you turn right the <input type="text" value="TUNE"/> key in SAT mode, the receiving channel will be one step up. <input type="checkbox"/> If you turn left the <input type="text" value="TUNE"/> key in SAT mode, the receiving channel will be one step down. <input type="checkbox"/> If you turn right the <input type="text" value="TUNE"/> key in the last channel, it will go to the first channel. <input type="checkbox"/> If you turn left the <input type="text" value="TUNE"/> key in the first channel, it will go to the last channel.

5-4-3. CHANNEL UP/DOWN FOR 10 DIGITS

Function	<input type="checkbox"/> SAT CHANNEL UP/DOWN FOR 10 DIGITS
Operation of button	<input type="checkbox"/> Touch the <input type="button" value=">>"/> / <input type="button" value="<<"/> key for more than 0.5sec (the function only works while touching)
Detail	<p><input type="checkbox"/> If you touch the <input type="button" value=">>"/> key for more than 0.5sec in SAT mode, the receiving channel will be up for 10 digits a second.</p> <p><input type="checkbox"/> If you touch the <input type="button" value="<<"/> key for more than 0.5sec in SAT mode, the receiving channel will be down for 10 digits a second.</p> <p><input type="checkbox"/> If you touch the <input type="button" value=">>"/> key in the last channel, it will go to the first channel.</p> <p><input type="checkbox"/> If you touch the <input type="button" value="<<"/> key in the first channel, it will go to the last channel.</p> <p><input type="checkbox"/> The first digits of channel No. will display as "--" while touching.</p> <p><input type="checkbox"/> After released, the third digits and the second digits will display the number which is displaying, and the first digits will be received from the channel number which is the most possible to receive.</p> <p><input type="checkbox"/> The function will be released by the following operation.</p> <ul style="list-style-type: none"> <input type="checkbox"/> ACC OFF/POWER OFF (The last channel will be the channel when release.) <input type="checkbox"/> Release the key.

5-4-4. Category Search Mode

Function	<input type="checkbox"/> SAT Category Search Mode (Category up/down)
Operation of button	<input type="checkbox"/> Touch <input type="text" value="PTY/CAT"/> key (Category Search Mode ON) <input type="checkbox"/> Touch <input type="text" value="UP"/> & <input type="text" value="DOWN"/> key (Category up/down) <input type="checkbox"/> Turn up/down the <input type="text" value="TUNE"/> key (CHANNEL UP/DOWN)
Detail	<p>■ Category Search Mode</p> <input type="checkbox"/> If you touch the "PTY/CAT" key in SAT mode, it will go to Category Search Mode and display the name of the category which is receiving for 10 seconds. <input type="checkbox"/> CAT indicator light will be on in Category Search Mode. <input type="checkbox"/> The name of the category you selected will blink in Category Search Mode. <p>■ Category UP/DOWN</p> <input type="checkbox"/> If you touch the "UP" key in Category Search Mode, the category which is possible to receive will be one step up. <input type="checkbox"/> If you touch the "DOWN" key in Category Search Mode, the category which is possible to receive will be one step down. <input type="checkbox"/> Only the display will change by touching "UP"/"DOWN" key, the channel will not. (The sound will not change, either) <input type="checkbox"/> If you turn right the "TUNE" key in Category Search Mode, the channel in the category you selected will be up. <input type="checkbox"/> If you turn left the "TUNE" key in Category Search Mode, the channel in the category you selected will be down. <input type="checkbox"/> When channel is up or down, the sound of signal receiving will be output. <input type="checkbox"/> CH000 (RADIO ID) cannot be selected when touching "UP" or "DOWN". <input type="checkbox"/> Category Search Mode will be released by the following operation. <ul style="list-style-type: none"> <input type="checkbox"/> If you do no operation to change category or channel for 10 seconds. <input type="checkbox"/> ACC OFF/POWER OFF (The last channel will be the channel when release.) <input type="checkbox"/> If you switch to other source mode. (The last channel will be the channel when release.) <input type="checkbox"/> If you switch the BAND. (The last channel will be the channel when release.) <input type="checkbox"/> Touch the "PTY/CAT" key. (Release by KEY ON) <input type="checkbox"/> Touch the "<<" or ">>" key for more than 0.5sec. (CHANNEL 10 Digits UP/DOWN) <input type="checkbox"/> Touch the "1~6" key for less than 1.5sec. (Call the preset channel) <input type="checkbox"/> Touch the "1~6" key for more than 1.5sec. (Write the preset channel)

5-4-5. Call Preset

Function	<input type="checkbox"/> Call SAT Preset Channel
Operation of button	<input type="checkbox"/> Touch the "1" ~ "6" key for less than 1.5sec
Detail	<input type="checkbox"/> If you touch "1" ~ "6" in SAT mode for less than 1.5sec, it will call the channel which is kept as the memory of each key. <input type="checkbox"/> If you call the channel, it will display the number of preset and receiving channel for 3 seconds, and then go to the last display mode. <input type="checkbox"/> If the preset channel is being received/has been received, it will not work when you touch the same key. <input type="checkbox"/> The following keys will be effective before KEY OFF. (KEY ON ~ 1.5sec KEY OFF) <input type="checkbox"/> <input type="checkbox"/> VOLUME key <input type="checkbox"/> <input type="checkbox"/> EJECT key

5-4-6. Write Preset

Function	<input type="checkbox"/> SAT Preset Channel Memory
Operation of button	<input type="checkbox"/> Touch the "1" ~ "6" key for more than 1.5sec
Detail	<input type="checkbox"/> If you touch "1" ~ "6" in SAT mode more than 1.5 sec, the receiving channel will be kept as the memory of the key you touch. <input type="checkbox"/> If the memory is confirmed, the preset channel number which is displaying will blink for once. <input type="checkbox"/> If the memory is confirmed, it will output the "BEEP" sound. <input type="checkbox"/> It will display the number of preset and receiving channel for 3 seconds, and then go to the last display mode. <input type="checkbox"/> It is available to keep CH000 (RADIO ID) as preset memory. <input type="checkbox"/> The following keys will be effective before KEY OFF. <input type="checkbox"/> <input type="checkbox"/> VOLUME key <input type="checkbox"/> <input type="checkbox"/> EJECT key

5-4-7. SCAN

Function	<input type="checkbox"/> SAT SAT Channel SCAN
Operation of button	<input type="checkbox"/> Touch the "SCAN" key
Detail	<ul style="list-style-type: none"> <input type="checkbox"/> If you touch "SCAN" key in SAT mode, it will start to scan. <input type="checkbox"/> It will scan from the next channel for 5 seconds for each when you start it. <input type="checkbox"/> If it finishes scanning the last channel, it will go on to scan from the first channel. <input type="checkbox"/> It will scan the channels which are possible for once, and stop at the beginning channel. <input type="checkbox"/> It will not scan the beginning channel (the ending channel). <input type="checkbox"/> The channel number will blink for every 500ms in scan mode. <input type="checkbox"/> If you touch "SCAN" key in Category Search Mode, it will scan in the category you selected. <input type="checkbox"/> Scan will be stopped by the following condition. <ul style="list-style-type: none"> <input type="checkbox"/> When you go to other source mode (The last channel will be the channel when release.) <input type="checkbox"/> When you switch the BAND (The last channel will be the channel when release.) <input type="checkbox"/> ACC OFF/POWER OFF (The last channel will be the channel when release.) <input type="checkbox"/> When you turn the "TUNE" key. (CHANNEL UP/DOWN) <input type="checkbox"/> When you touch the ">>>" or "<<<" key for more than 0.5sec <input type="checkbox"/> When you touch the "PTY/CAT" key. <ul style="list-style-type: none"> <input type="checkbox"/> scan in usual —KEY ON and Category Search Mode ON + release scan <input type="checkbox"/> scan in Category —KEY ON and Category Search Mode OFF + release scan <input type="checkbox"/> When you touch the "UP" or "DOWN" key. <ul style="list-style-type: none"> <input type="checkbox"/> scan in usual — OFF <input type="checkbox"/> scan in Category — KEY ON and Category UP/DOWN <input type="checkbox"/> when you touch the "1" ~ "6" for less than 1.5sec.(Call the preset memory) <input type="checkbox"/> when you touch the "1" ~ "6" for more than 1.5sec.(write the preset memory) <input type="checkbox"/> when you touch the "SCAN" key.(Stop at the channel when KEY is ON)

5-4-8. Switch the Title

Function	<input type="checkbox"/> Switch the XM title
Operation of button	<input type="checkbox"/> Touch the "TEXT" key
Detail	<input type="checkbox"/> If you touch the "TEXT" key, the title will display like following. <input type="checkbox"/> Default setting is displaying the channel number.
	<div data-bbox="288 488 1362 566" data-label="Diagram"> <pre> graph LR A["「CH NUMBER」"] --> B["「CH NAME」"] B --> C["「TITLE」"] C --> D["「NAME」"] D --> E["「CATEGORY」"] E --> F["「CH NUMBER」"] </pre> </div> <input type="checkbox"/> When you switch the title, it will display [CH NUMBER], [CH NAME], [TITLE], [NAME] and [CATEGORY] 3seconds for each, and then display the title. <input type="checkbox"/> 10 characters information will be supported. (8&16 characters will be not) <input type="checkbox"/> The "TEXT" key will be effective in scan mode. <input type="checkbox"/> The "TEXT" key will be not effective in Category Search Mode. <input type="checkbox"/> The "TEXT" key will be not effective while displaying RADIO ID. <input type="checkbox"/> The "TEXT" key will be not effective while adjusting Volume/Audio/Menu.

5-4-9. Display RADIO ID

Function	<input type="checkbox"/> Display XM RADIO ID
Operation of button	-
Detail	<input type="checkbox"/> If you select CH000, it will display RADIO ID. <input type="checkbox"/> It will display "RADIO ID" for 2 seconds and then display ID for 10 seconds and repeat. <input type="checkbox"/> If Category Search Mode is ON when it is displaying RADIO ID, the category name will be "—" and blink. <input type="checkbox"/> If error occurs when it is displaying RADIO ID, it will go on displaying RADIO ID but not advisory message, even if the advisory message should be displayed for the error. (Priority: RADIO ID > Advisory Message)

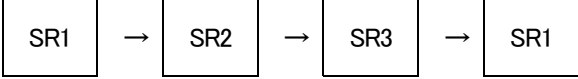
5-4-10. Advisory Message List

#	Error Contents	Display Contents	Note
1	Antenna cable is removed from the set.	ANTENNA	For all the channels
2	User password has been changed and cannot receive new code by XM signal. (The channel mapping has been changed.)	UPDATING	It will go to CH001 in 2 seconds.
3	Signal is not enough strong to be received for decoding.	NO SIGNAL	For all the channels
4	It is not effective when it is receiving signal or decoding. (when initial power up.)	LOADING	
5	It is not effective when it is receiving signal or decoding. (When switch channel.)	LOADING	
6	If you select a channel after broadcast ends.	OFF AIR	It will go to the last channel in 2 seconds.
7	SID is not effective.	CH --- (3"-")	It will go to CH001 in 2 seconds.
8	The artist's name and title is blank.	----- (6"-")	

※The operation of the Note depends on the situation of XM/Sirius-BB.

5-5. Operation of Satellite Radio (Sirius)

5-5-1. Call/Switch SR Mode

Function	<input type="checkbox"/> Call and switch the sirius Mode
Operation of button	<input type="checkbox"/> Touch the "SAT" key
Detail	<p><input type="checkbox"/> If you touch the "SAT" key when it is in other source mode, it will start to receive the channel signal of last band and last memory of SR.</p> <p><input type="checkbox"/> It is effective when POWER OFF.</p> <p><input type="checkbox"/> The SR band will switch to next like the following when you touch "SAT" key in SR mode.</p> <div style="text-align: center; margin: 10px 0;">  <pre> graph LR SR1[SR1] --> SR2[SR2] SR2 --> SR3[SR3] SR3 --> SR1[SR1] </pre> </div> <p>※The display will be "SAT" but not "SR".</p> <p><input type="checkbox"/> When receiving channel signal, it will go to the last mode after displaying the channel No. for 3 seconds.</p> <p><input type="checkbox"/> Initial setting is BAND1 (SR1) and CHANNEL184 (PREVIEW CHANNEL).</p>

5-5-2. CH UP / DOWN

- The same specification as XM.

5-5-3. CHANNEL UP/DOWN FOR 10 DIGITS

- The same specification as XM.

5-5-4. Category Search Mode

- The same specification as XM.

5-5-5. Call Preset

- The same specification as XM.

5-5-6. Write Preset

- The same specification as XM.
- But there are some differences as following.

	Changed Point
Detail	<input type="checkbox"/> CH000 and CH255 (RADIO ID) cannot be presetted.

5-5-7. SCAN

- The same specification as XM.

5-5-8. Switch the Title

Function	<input type="checkbox"/> Switch Sirius title
Operation of button	<input type="checkbox"/> Touch the "TEXT" key for less than 0.5sec.
Detail	<p><input type="checkbox"/> If you touch the "TEXT" key, the title will display like following.</p> <p><input type="checkbox"/> Initial setting is displaying the channel number.</p> <div style="text-align: center; margin: 10px 0;"> <pre> graph LR A["「CH NUMBER」"] --> B["「CH NAME」"] B --> C["「TITLE」"] C --> D["「NAME」"] D --> E["「CATEGORY」"] E --> F["「CH NUMBER」"] </pre> </div> <p><input type="checkbox"/> When you switch the title, it will display [CH NUMBER],[CH NAME],[TITLE],[NAME] and [CATEGORY] 3seconds for each, and then display the title.</p> <p><input type="checkbox"/> 10 characters information will be supported. (Same as XM. The information more than 10 characters will be truncated)</p> <p><input type="checkbox"/> The "TEXT" key will be effective in scan mode.</p> <p><input type="checkbox"/> The "TEXT" key will be not effective in Category Search Mode.</p> <p><input type="checkbox"/> The "TEXT" key will be effective while displaying RADIO ID.</p> <p><input type="checkbox"/> The "TEXT" key will be not effective while adjusting Volume/Audio/Menu.</p>

5-5-9. Display RADIO ID

Function	<input type="checkbox"/> Display RADIO ID
Operation of button	-
Detail	<input type="checkbox"/> If you choose CH000, it will display RADIO ID. <input type="checkbox"/> If you choose CH000, it will go to CH255 and display "RADIO ID" for 2 seconds, the upper 8 digits of ID for 5 seconds, and the lower 4 digits of ID for 5 seconds, and repeat. (depend on Sirius-BB) <input type="checkbox"/> For the problem of communication with Sirius-BB, the title data of CH255 will be kept as RADIO ID. Therefore, if you do not touch the "TEXT" key to switch to display title, it will not display ID. (It will not display channel number.) <input type="checkbox"/> If Category Search Mode is ON when it is displaying RADIO ID, the category name will be "—" and blink.

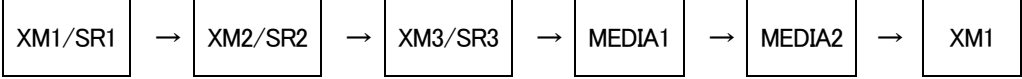
5-5-10. Advisory Message List

#	Error Contents (formal display)	Display Contents	Note
1	ANTENNA ERROR (ANTENNA)	ANTENNA	
2	Updating signed channel (UPDATING)	UPDATING	
3	Updating channel map (UPDATING)	UPDATING	
4	Requesting for channel/music information (ACQUIRING)	LOADING	
5	Signal is not enough strong to receive (ACQUIRING)	LOADING	
6	Choose unsigned channe (CALL 888-539-SIRI)	CH ---	
7	Choose unused channel (INVALID CH)	OFF AIR	

※ This specification is equivalent to XM's.

5-6. Media HUB Operation

5-6-1. Call /Switch Media HUB Mode

Function	<input type="checkbox"/> Call /Switch Media HUB Mode
Operation of button	<input type="checkbox"/> Touch the "SAT" key.
Detail	<p><input type="checkbox"/> If you touch the "SAT" key when it is in other source mode, it will start to receive the channel signal of last band and last memory of XM/MEDIA.</p> <p><input type="checkbox"/> If you touch the "SAT" key in Media HUB mode, it will switch to next like following.</p> <div style="text-align: center;">  <pre> graph LR A[XM1/SR1] --> B[XM2/SR2] B --> C[XM3/SR3] C --> D[MEDIA1] D --> E[MEDIA2] E --> F[XM1] </pre> </div> <p>※When XM/SR1-3 is chosen, it will display SAT1-3.</p> <p>Common Specification</p> <ul style="list-style-type: none"> <input type="checkbox"/> It is effective when POWER OFF. <input type="checkbox"/> When you select MEDIA1/ MEDIA2, it will display MEDIA1/ MEDIA2. <input type="checkbox"/> When receiving channel signal, it will go to the last mode after displaying the channel No. for 3 seconds. <input type="checkbox"/> The pass key to connect BT Audio is "0000".

5-6-2. Track UP/DOWN

Function	<input type="checkbox"/> Track UP/DOWN
Operation of button	<input type="checkbox"/> Turn the <input type="text" value="TUNE"/> key
Detail	<input type="checkbox"/> If you turn right the <input type="text" value="TUNE"/> key in Media HUB Mode, it will track up.
	<input type="checkbox"/> If you turn left the <input type="text" value="TUNE"/> key in Media HUB Mode, it will track down.
	<input type="checkbox"/> It will display 001 as CH Number normally.

5-6-3. FF/FB

Function	<input type="checkbox"/> FF/REW
Operation of button	<input type="checkbox"/> Touch the <input type="checkbox"/> >> / <input type="checkbox"/> << key for more than 0.5sec. (Operate only when touching.)
Detail	<input type="checkbox"/> It will wind forward from the playing track if you touch the <input type="checkbox"/> >> key for more than 0.5sec in Media HUBMode. <input type="checkbox"/> It will fast backward from the playing track if you touch the <input type="checkbox"/> << key for more than 0.5sec in Media HUBMode. <input type="checkbox"/> FF/FB will be released by following Operation. <input type="checkbox"/> When you turn ACC / POWER OF. <input type="checkbox"/> When you release the key.

5-6-4. Browsing Mode

Function	<input type="checkbox"/> Browsing Mode (Presetting Button)
Operation of button	<input type="checkbox"/> Touch the <input type="text" value="PTY / CAT"/> key. (CategorySearch Mode ON) <input type="checkbox"/> Touch the <input type="text" value="UP"/> and <input type="text" value="DOWN"/> key. (Category UP/DOWN)
Detail	<p>■ Browsing Mode</p> <input type="checkbox"/> If you touch the <input type="text" value="PTY / CAT"/> key in MediaHub Mode, it will go to Browsing Mode, and display the Browsing Mode name for selected P.ch for 5sec. <input type="checkbox"/> CAT indicator will be ON in Browsing Mode. <p>■ List UP/DOWN</p> <input type="checkbox"/> If you touch the <input type="text" value="UP"/> key in Browsing Mode, the list for selected P.ch will be up. <input type="checkbox"/> If you touch the <input type="text" value="DOWN"/> key in Browsing Mode, the list for selected P.ch will be down. <input type="checkbox"/> If you touch the <input type="text" value="UP"/> or <input type="text" value="DOWN"/> key, it will start to play the tracks of the selected list in 2 sec. It will keep Browsing Mode. <input type="checkbox"/> Browsing Mode will be released by following operation. <ul style="list-style-type: none"> <input type="checkbox"/> If you do no operation to change the list for 5sec. <input type="checkbox"/> Touch the <input type="text" value="PTY / CAT"/> key. <input type="checkbox"/> Turn ACC / POWER OFF. <input type="checkbox"/> Switch to other mode. <input type="checkbox"/> Switch to Band.

5-6-5. Select Operation Mode

Function	<input type="checkbox"/> Select Operation Mode																
Operation of button	<input type="checkbox"/> Touch the <input type="text" value="1"/> ~ <input type="text" value="6"/> key.																
Detail	<p><input type="checkbox"/> If you touch the <input type="text" value="1"/> ~ <input type="text" value="6"/> key in MediaHub Mode, it will display the Operation Mode for the key. (It will do the same action no matter long touch or not.)</p> <p>•When connect to iPod</p> <table style="width: 100%; border: none;"> <tr> <td style="width: 50%;"><input type="checkbox"/> 1: Settings(Shuffle/Repeat) -></td> <td>Display : SETTINGS</td> </tr> <tr> <td><input type="checkbox"/> 2: Playlist Select -></td> <td>Display : PLAYLISTS</td> </tr> <tr> <td><input type="checkbox"/> 3: Artist Select -></td> <td>Display : ARTISTS</td> </tr> <tr> <td><input type="checkbox"/> 4: Album Select -></td> <td>Display : ALBUMS</td> </tr> <tr> <td><input type="checkbox"/> 5: Podcast Select -></td> <td>Display : PODCASTS</td> </tr> <tr> <td><input type="checkbox"/> 6: Audiobook Select -></td> <td>Display : AUDIOBOOKS</td> </tr> </table> <p>•When connect to USB Storage</p> <table style="width: 100%; border: none;"> <tr> <td style="width: 50%;"><input type="checkbox"/> 1: Settings(Shuffle/Repeat) -></td> <td>Display : SETTINGS</td> </tr> <tr> <td><input type="checkbox"/> 2~6: Folder Select -></td> <td>Display : FOLDERS</td> </tr> </table> <p>•When connect to BT Audio</p> <p><input type="checkbox"/> 1~6: Display the connection device name.</p> <p><input type="checkbox"/> After displaying operation mode for 3sec when call the CH, it will display the title name if you touch the <input type="text" value="TEXT"/> key. (Display CH Number.)</p> <p><input type="checkbox"/> The following key will be effective while KEY is ON. (From Key ON to less than 1.5sec. Key OFF.)</p> <p><input type="checkbox"/> the <input type="text" value="VOLUME"/> key</p> <p><input type="checkbox"/> the <input type="text" value="EJECT"/> key</p>	<input type="checkbox"/> 1: Settings(Shuffle/Repeat) ->	Display : SETTINGS	<input type="checkbox"/> 2: Playlist Select ->	Display : PLAYLISTS	<input type="checkbox"/> 3: Artist Select ->	Display : ARTISTS	<input type="checkbox"/> 4: Album Select ->	Display : ALBUMS	<input type="checkbox"/> 5: Podcast Select ->	Display : PODCASTS	<input type="checkbox"/> 6: Audiobook Select ->	Display : AUDIOBOOKS	<input type="checkbox"/> 1: Settings(Shuffle/Repeat) ->	Display : SETTINGS	<input type="checkbox"/> 2~6: Folder Select ->	Display : FOLDERS
<input type="checkbox"/> 1: Settings(Shuffle/Repeat) ->	Display : SETTINGS																
<input type="checkbox"/> 2: Playlist Select ->	Display : PLAYLISTS																
<input type="checkbox"/> 3: Artist Select ->	Display : ARTISTS																
<input type="checkbox"/> 4: Album Select ->	Display : ALBUMS																
<input type="checkbox"/> 5: Podcast Select ->	Display : PODCASTS																
<input type="checkbox"/> 6: Audiobook Select ->	Display : AUDIOBOOKS																
<input type="checkbox"/> 1: Settings(Shuffle/Repeat) ->	Display : SETTINGS																
<input type="checkbox"/> 2~6: Folder Select ->	Display : FOLDERS																

5-6-6. Switch to TITLE

Function	<input type="checkbox"/> Switch to TITLE
Operation of button	<input type="checkbox"/> Touch the <input type="text" value="TEXT"/> key
Detail	<p><input type="checkbox"/> If you touch the <input type="text" value="TEXT"/> key each time in MediaHub Mode, it will switch to next title like following.</p> <p><input type="checkbox"/> Initial setting is displaying "CH NUMBER".</p> <p><input type="checkbox"/> If you switch to next title, it will display 「CH NUMBER」/「CH NAME」/「TITLE」/「NAME」/「CATEGORY」 for 3sec, then display the title.</p>
	<p style="text-align: center;">In 3 seconds.</p>
Detail	<p>※1 When it is in MEDIA1 Mode, It will display 「USB DEVICE**」 if it is not connected with a device. It will display 「USB iPod***」 if it is connected with a iPod. It will display 「USB MEMORY**」 if it is connected with a USB.</p> <p>When it is in MEDIA2 Mode,、 It will display 「BT AUDIO***」 if it is not connected with a device. (The display may be different in fact depending on MediaHub.)</p> <p>※2 It will display the song name when you select P.ch1~4, display podcast when you select P.ch5, and display audiobook name when you select P.ch6.</p> <p>※3 It will display the information of artist and album when you select P.ch1~4, display podcast when you select P.ch5, and display the information of author when you select P.ch6.</p> <p>※4 It will display (Such as Shuffle/Repeat, PLAYLIST MODE) the operatin name.</p> <p>※2~4 It will display 「DETACHED***」 when it is not connected with a device, or display 「ATTACHED***」 when it is connected with a device for 3 seconds, and then display as shown in the above for selected P.ch.</p>

5-7. Operation of DISC

5-7-1. CD LOADING

Function	<input type="checkbox"/> CD Loading
Operation of button	<input type="checkbox"/> Insert CD Disc
Detail	<input type="checkbox"/> It will start CD LOADING, if you insert a CD disk when there is no CD in it. <input type="checkbox"/> It will display "CD LOADING" while CD loading. <input type="checkbox"/> It will display P-TIME and start to play from the first track. <input type="checkbox"/> It is also effective when POWER is OFF. <input type="checkbox"/> It is not effective when ACC is OFF basically. (It may be available right after BACKUP EJECT, and so on.)

5-7-2. EJECT CD

Function	<input type="checkbox"/> EJECT CD
Operation of button	<input type="checkbox"/> Touch the <input type="text" value="EJECT"/> key
Detail	<ul style="list-style-type: none"> <input type="checkbox"/> If you touch the <input type="text" value="EJECT"/> key when there is a CD in, it will eject the CD. <input type="checkbox"/> It will keep CD Mode even if it ejects the CD in CD Mode. <input type="checkbox"/> It will keep the current mode when it eject the CD in other mode except CD Mode. <input type="checkbox"/> It will go on ejecting even if ACC/POWER is turned off while ejecting. <input type="checkbox"/> It will go on ejecting even if it goes to other mode while ejecting. <input type="checkbox"/> If you leave the CD on reload for 15 seconds after it rejects, it will pull in the CD again. <input type="checkbox"/> It will start to play from the first track after reloads and keep the current mode. <input type="checkbox"/> It will eject again for twice if it fails ejecting for it is caught or something else.

5-7-3. Playback Object (CD / USB)

Function	<input type="checkbox"/> The Following Data is Able to be Played		
Operation of button	---		
Detail	<input type="checkbox"/> Maximum number of folders/files		
	USB Memory	Maximum number of folders	512
		Maximum number of files in a folder	255
		Maximum number of files	130560
	CD	Maximum number of folders	255
		Maximum number of files in a folder	255
		Maximum number of files	510
	※ Maximum 8- layer (include ROOT) Folder is available. ※ In CD Mode, the number of total folders (include ROOT Folder) and total Tracks should be less than 512.		
	<input type="checkbox"/> Media that is able to be played		
	<input type="checkbox"/> DISC Media •Format: Based on ISO9660 LEVEL1,2(MODE1,2 Form1)		
<input type="checkbox"/> USB Memory (Mass Storage) •USB Memory of Mass Storage Class •USB Memory that has HUB Class is unable to be played •USB Memory of ATAP Subclass is unable to be played			
<input type="checkbox"/> iPod			
iPod	5G	○	
	5.5G	○	
	classic 1G	○	
	classic 2G	○	
	nano 1G	×※1	
	nano 2G	○	
	nano 3G	○	
	nano 4G	○	
	touch 1G	○	
	touch 2G	○	
iPhone	1G(GSM)	○※2	
	3G	○※2	
	3G S	Will be supported in schedule	
※ 1: It may burn in charging for the bug of iPod hardware. It will not be the subject. ※ 2: There are too many bugs of F/W of iPod. Something that depends on those bugs becomes limitations.			

User Manual.doc

Playback Object Files (CD / USB)

MP3	Based on Layer3 of MPEG 1, 2 & 2.5
	Sampling Rate (kHz): 48,44.1,32,24,22.05,16,12,11.025,8
	Bit Rate (kbps): 8~320
	Variable Bit Rate Supported
	ID3 Tag (ver1.x,ver2.x)
WMA	Based on Windows Media Audio9
	Bit Rate (kbps): 32~192
	Unable to Playback DRM Protected Files
AAC	MPEG4 AAC (Based on ISO/IEC 14496-12: 2003 + iTunes Meta-data Specification)
	Sampling Rate (kHz): 48,44.1,32,24,22.05,16,12,11.025,8
	Bit Rate (kbps): 8~320
	Number of Channels: 1~2ch

- ※ Copyright protected files are not able to be play.
- ※ It does not support Lossless, Professional and Voice of WMA9.

5-7-4. Switch to CD Mode

Function	<input type="checkbox"/> Switch to CD Mode
Operation of button	<input type="checkbox"/> Touch the <input type="text" value="CD / AUX"/> key
Detail	<p><input type="checkbox"/> It will go to CD Mode if you touch the <input type="text" value="CD / AUX"/> key in other mode except CD Mode.</p> <p><input type="checkbox"/> It will also go to CD Mode when disk roading.</p> <p><input type="checkbox"/> It is also effective when POWER is OFF.</p> <p><input type="checkbox"/> It will switch to next mode like following if you touch the <input type="text" value="CD / AUX"/> key in CD Mode.</p> <p style="text-align: center;"><input type="text" value="CD"/> → <input type="text" value="USB(iPod)"/> → <input type="text" value="BT Audio"/> → <input type="text" value="AUX"/> → <input type="text" value="MediaHub"/> → <input type="text" value="CD"/> →</p> <p>※ <input type="text" value="MediaHub"/> Mode is able to be selected by touching the <input type="text" value="SAT"/> key.</p> <p><input type="checkbox"/> It will resume playing whe you switch to CD Mode. (RPT/RDM Setting will be kept.)</p>

5-7-5. Playback / Pause (CD / USB)

Function	<input type="checkbox"/> Playback / Pause the Music
Operation of button	<input type="checkbox"/> Steering Controller Operation Only <input type="checkbox"/> Refer to Steering Controller Operation Specification
Detail	<input type="checkbox"/> It will be paused if you touch to pause while playing music. <input type="checkbox"/> It will fade out and become mute, then pause. <input type="checkbox"/> It will display MUTE when pauses. <input type="checkbox"/> It will fade in when returns to play mode from pause mode. <input type="checkbox"/> It will fade in from where it paused. <input type="checkbox"/> The volume adjustment while fading out/in is based on the current (fading out/in) volume value. Then the fade result will not effect on the volume, and the volume value you adjusted will be set <input type="checkbox"/> It is able to set volume value from "VOL 00" if you adjust the volume when it is in MUTE. <input type="checkbox"/> The operation of FF / FB, Track(Folder) UP / DOWN will be not available in PAUSE Mode. <input type="checkbox"/> Pause Mode will be released by the following operation. <ul style="list-style-type: none"> <input type="checkbox"/> When you set volume. <input type="checkbox"/> When you switch to other mode and return. (Be released when return to the mode) <input type="checkbox"/> ACC OFF / ON, BackUp OFF / ON <p>■ <u>When playing CD</u></p> <input type="checkbox"/> The Pause Function stops disk rotating in fact. <input type="checkbox"/> It will fade in after Pause Mode released, but it takes time before the sound comes out because it starts to rotate the disk. <p>■ <u>When playing USB (MSC)</u></p> <input type="checkbox"/> It is same to CD Mode basically. ※ There is no operation to stop rotating for the USB is not a disk. <p>■ <u>When playing USB (iPod)</u></p> <input type="checkbox"/> Make iPod PAUSE. <input type="checkbox"/> It will play from where iPod kept, when Pause Mode released.

5-7-6. TRACK UP / DOWN

Function	<input type="checkbox"/> CD の TRACK UP/DOWN
Operation of button	<input type="checkbox"/> Turn the <input type="text" value="TUNE"/> key
Detail	<p><input type="checkbox"/> It will go to next track if you turn right the <input type="text" value="TUNE"/> key in CD Mode.</p> <p><input type="checkbox"/> It will play from the beginning of current track if you turn left the <input type="text" value="TUNE"/> key in CD Mode.</p> <p><input type="checkbox"/> It will go to previous track if you turn <input type="text" value="TUNE"/> the key in 1sec after operation for changing track.</p> <p><input type="checkbox"/> The operation of TRACK UP/DOWN is not effective while DISC LOADING or READING.</p> <p>■ <u>When playing CD-DA</u></p> <p><input type="checkbox"/> It will go to the first track in the same disk if you track UP when it is playing the last track in the disk.</p> <p><input type="checkbox"/> It will go to the last track in the same disk if you track DOWN when it is playing the first track in the disk. (When it has played for less than 1sec.)</p> <p>■ <u>When playing DISC MP3/WMA/AAC</u></p> <p><input type="checkbox"/> It will go to the first track in the same folder if you track UP when it is playing the last track in the folder.</p> <p><input type="checkbox"/> It will go to the last track in the same disk if you track DOWN when it is playing the first track in the disk. (When it has played for less than 1sec.)</p>


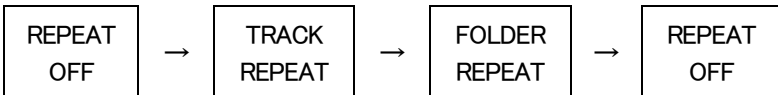
5-7-7. FOLDER UP / DOWN (DISC MP3/WMA/AAC)

Function	<input type="checkbox"/> CD の FOLDER UP/DOWN (DISC MP3/WMA/AAC)
Operation of button	<input type="checkbox"/> Touch the <input type="checkbox"/> UP or <input type="checkbox"/> DOWN key. <input type="checkbox"/> The Operation of the <input type="checkbox"/> UP or <input type="checkbox"/> DOWN key of Steering Controller.
Detail	<input type="checkbox"/> It will go to the next folder of current folder, if you touch the <input type="checkbox"/> UP key in CD (DISC MP3/WMA/AAC) Mode. <input type="checkbox"/> It will go to the previous folder of current folder, if you touch the <input type="checkbox"/> DOWN key in CD (DISC MP3/WMA/AAC) Mode. <input type="checkbox"/> It will go to the first folder if you touch the <input type="checkbox"/> UP key when current folder is the last. <input type="checkbox"/> It will go to the last folder if you touch the <input type="checkbox"/> DOWN key when current folder is the first. <input type="checkbox"/> The operation of FOLDER UP/DOWN is not effective while DISC LOADING or READING. <input type="checkbox"/> Long touch of FOLDER UP/DOWN is not effective.


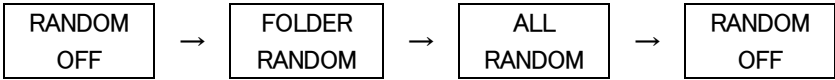
5-7-8. FF / FB

Function	<input type="checkbox"/> CD FF/FB
Operation of button	<input type="checkbox"/> Touch the <input type="button" value=">>"/> or <input type="button" value="<<"/> key for more than 0.5sec (Action only when touching)
Detail	<p><input type="checkbox"/> It will play fast forward if you touch the <input type="button" value=">>"/> key for more than 0.5sec in CD Mode.</p> <p><input type="checkbox"/> It will play fast backward if you touch the <input type="button" value="<<"/> key for more than 0.5sec in CD Mode.</p> <p><input type="checkbox"/> BEEP occurs when you touch the <input type="button" value=">>"/> or <input type="button" value="<<"/> key for more than 0.5sec.</p> <p><input type="checkbox"/> It will display P-TIME when playing fast FF/FB.</p> <p><input type="checkbox"/> It will go to the beginning of the next track and keep playing FF when it comes to the end of the track.</p> <p><input type="checkbox"/> It will go to the end of the previous track and keep playing FB when it comes to the beginning of the track.</p> <p>■ When playing CD-DA</p> <p><input type="checkbox"/> The speed will be 3 times in the beginning 3 seconds, and then it will up to 10 times when playing FF/FB.</p> <p><input type="checkbox"/> It will release FF Mode when it comes to the end of the last track in the disk, and play normally.</p> <p><input type="checkbox"/> It will release FB Mode when it comes to the beginning of the first track in the disk, and play normally.</p> <p><input type="checkbox"/> Sound comes out when playing FF/FB.</p> <p>■ When playing DISC MP3/WMA/AAC</p> <p><input type="checkbox"/> The speed will be 10 times (fixed) when playing FF/FB. (However, the real speed depends on Bit rate.)</p> <p><input type="checkbox"/> It will release FF Mode when it comes to the end of the last track in the folder, and go to the first track of the next folder and play normally.</p> <p><input type="checkbox"/> It will release FF Mode when it comes to the end of the last track of the last folder in the disk, and go to the first track of the first folder in the same disk and play normally.</p> <p><input type="checkbox"/> It will release FB Mode when it comes to the beginning of the first track in the folder, and play normally.</p> <p><input type="checkbox"/> Sound comes out when playing FF/FB.</p> <p><input type="checkbox"/> FF/FB Mode will be released by following conditions.</p> <ul style="list-style-type: none"> <input type="checkbox"/> When you release the key. <input type="checkbox"/> When it comes to the first track in the disk. <input type="checkbox"/> When it comes to the first track in the folder. (Only for DISC MP3/WMA/AAC Mode) <input type="checkbox"/> When you turn ACC / POWER OFF. <input type="checkbox"/> When you EJECT(CD) or DISCONNECT(USB).

5-7-9. RPT

Function	<input type="checkbox"/> Repeat Mode of CD
Operation of button	<input type="checkbox"/> Touch the <input type="text" value="RPT / RDM"/> key for less than 0.5sec.
Detail	<p><input checked="" type="checkbox"/> <u>When playing CD-DA</u></p> <p><input type="checkbox"/> Repeat Mode will switch to next like following, if you touch the <input type="text" value="RPT / RDM"/> key for less than 0.5sec.</p> <div style="text-align: center;">  <pre> graph LR A[REPEAT OFF] --> B[TRACK REPEAT] B --> C[REPEAT OFF] </pre> </div>
	<p><input checked="" type="checkbox"/> <u>When playing DISCMP3/WMA/AAC</u></p> <p><input type="checkbox"/> Repeat Mode will switch to next like following, if you touch the <input type="text" value="RPT / RDM"/> key for less than 0.5sec.</p> <div style="text-align: center;">  <pre> graph LR A[REPEAT OFF] --> B[TRACK REPEAT] B --> C[FOLDER REPEAT] C --> D[REPEAT OFF] </pre> </div> <p><input type="checkbox"/> Initial Mode is OFF.</p> <p><input type="checkbox"/> It will display repeat mode name for 3sec when you switch to a repeat mode, then displays P-TIME. It will return to the last display.</p> <p><input type="checkbox"/> RPT indicator will be on in repeat mode.</p> <p><input type="checkbox"/> It will keep the repeat mode even if you turn ACC/POWER OFF, or switch to other source mode.</p> <p><input type="checkbox"/> RPT Mode will be released by the following operation.</p> <ul style="list-style-type: none"> <input type="checkbox"/> Touch the <input type="text" value="SCAN"/> key. (Key is ON and Scan Mode is ON.) <input type="checkbox"/> Touch the <input type="text" value="RPT / RDM"/> key for less than 0.5sec in TRACK RPT Mode.(Only CD-DA : Release RPT Mode) <input type="checkbox"/> Touch the <input type="text" value="RPT / RDM"/> key in FOLDER RPT Mode for less than 0.5sec. (Only MP3/WMA/AAC : Release RPT Mode) <input type="checkbox"/> Touch the <input type="text" value="RPT / RDM"/> key for less than 0.5sec. (RDM :ON) <input type="checkbox"/> EJECT the CD.

5-7-10. RDM

Function	<input type="checkbox"/> CD RDM Mode
Operation of button	<input type="checkbox"/> Touch the <input type="text" value="RPT / RDM"/> key for more than 0.5sec.
Detail	<p><input checked="" type="checkbox"/> <u>When playing CD-DA</u></p> <p><input type="checkbox"/> It will switch to next mode like the following if you touch the <input type="text" value="RPT / RDM"/> key for more than 0.5sec.</p> <div style="text-align: center;">  <pre> graph LR A[RANDOM OFF] --> B[ALL RANDOM] B --> C[RANDOM OFF] </pre> </div> <p><input checked="" type="checkbox"/> <u>When playing DISC MP3/WMA/AAC</u></p> <p><input type="checkbox"/> It will switch to next mode like the following if you touch the <input type="text" value="RPT / RDM"/> key for more than 0.5sec.</p> <div style="text-align: center;">  <pre> graph LR A[RANDOM OFF] --> B[FOLDER RANDOM] B --> C[ALL RANDOM] C --> D[RANDOM OFF] </pre> </div> <p><input type="checkbox"/> Initial setting is OFF.</p> <p><input type="checkbox"/> BEEP sounds when you switch the Mode.</p> <p><input type="checkbox"/> If you switch RDM modes, it will display the RDM Mode Name for 3sec, then return to the last display mode.</p> <p><input type="checkbox"/> If it has not got the title, it will display P-TIME until it gets the title.</p> <p><input type="checkbox"/> RDM indicator is ON in RDM Mode.</p> <p><input type="checkbox"/> It will keep RDM Mode setting even if you turn ACC/POWER OFF or go to other source mode.</p> <p><input type="checkbox"/> RDM Mode will be released by following operations.</p> <ul style="list-style-type: none"> <input type="checkbox"/> Touch the <input type="text" value="UP"/> or <input type="text" value="DOWN"/> key. (Only MP3/WMA/AAC: FOLDER UP/DOWN (Steering Controller is OK, too)) <input type="checkbox"/> Touch the <input type="text" value="SCAN"/> key. (Scan Mode is ON when Key is ON.) <input type="checkbox"/> Touch the <input type="text" value="RPT / RDM"/> key for less than 0.5sec. (RPT Mode is ON) <input type="checkbox"/> Touch the <input type="text" value="RPT / RDM"/> key for more than 0.5sec in all the RDM Modes. (Release RDM Mode) <input type="checkbox"/> EJECT the CD.

5-7-11. RPT/RDM Playlist of Track Transition

5-7-11-1. TRACK RPT (CD-DA,)

RPT Modes	Operation	#	Item/State	Specification
TRACK RPT	Playback normally in RPT Mode	1	Playback Method	<input type="checkbox"/> Repeat the current track
		2	When it goes to the end of the track	<input type="checkbox"/> Go to the beginning of the same track <input type="checkbox"/> Go on repeating
	TRACK UP	1	Track UP	<input type="checkbox"/> Go to the next track <input type="checkbox"/> Go on repeating
		2	Track UP when it is the last track	<input type="checkbox"/> Go to the first track <input type="checkbox"/> Go on repeating
	TRACK DOWN	1	Track DOWN (playing for more than 1sec)	<input type="checkbox"/> Go to the beginning of the same track <input type="checkbox"/> Go on repeating
		2	Track DOWN (playing for less than 1sec)	<input type="checkbox"/> Go to the previous track <input type="checkbox"/> Go on repeating
		3	Track DOWN when it is the first track (playing for less than 1sec)	<input type="checkbox"/> Go to the last track <input type="checkbox"/> Go on repeating
	FF	1	Play FF until it reaches the end	<input type="checkbox"/> Go to the beginning of the same track <input type="checkbox"/> Release FF Mode <input type="checkbox"/> Go on repeating
	FB	1	Play FB until it reaches the beginning	<input type="checkbox"/> Go to the beginning of the same track <input type="checkbox"/> Release FB Mode <input type="checkbox"/> Go on repeating

5-7-11-2. ALL RDM(CD-DA)

RDM Mode	Operation	#	Item/State	Specification
ALL RDM	Playback normally in RDM Mode	1	RDM extraction Method	<input type="checkbox"/> Playback the track extracted from all the tracks in media by RDM
		2	When it goes to the end of current track	<input type="checkbox"/> Extract the next track from all the tracks in media by RDM <input type="checkbox"/> Go on RDM playing
	TRACK UP	1	Track UP	<input type="checkbox"/> Extract the next track from all the tracks in media by RDM <input type="checkbox"/> Go on RDM playing
	TRACK DOWN	1	Track DOWN	<input type="checkbox"/> Go to the beginning of the same track <input type="checkbox"/> No track transition <input type="checkbox"/> Go on RDM playing
	FF	1	Play FF until it reaches the end	<input type="checkbox"/> Extract the next track from all the tracks in media by RDM <input type="checkbox"/> Release FF Mode <input type="checkbox"/> Go on RDM playing
	FB	1	Play FB until it reaches the beginning	<input type="checkbox"/> Go to the beginning of the same track <input type="checkbox"/> Release FB Mode <input type="checkbox"/> Go on RDM playing

5-7-11-3. TRACK RPT (DISC MP3/WMA/AAC)

RPT Mode	Operation	#	Item/State	Specification
TRACK RPT	Playback normally in RPT Mode	1	Repeat Method	<input type="checkbox"/> Repeat the current track
		2	When it goes to the end of the track	<input type="checkbox"/> Go to the beginning of the same track <input type="checkbox"/> Go on repeating
	TRACK UP	1	Track UP	<input type="checkbox"/> Go to the next track <input type="checkbox"/> Go on repeating
		2	Track UP when it is the last track in the folder	<input type="checkbox"/> Go to the first track in the same folder <input type="checkbox"/> Go on repeating
	TRACK DOWN	1	Track DOWN (playing for more than 1sec)	<input type="checkbox"/> Go to the beginning of the same track <input type="checkbox"/> Go on repeating
		2	Track DOWN (playing for less than 1sec)	<input type="checkbox"/> Go to the previous track <input type="checkbox"/> Go on repeating
		3	Track DOWN when it is the first track in the folder (playing for less than 1sec)	<input type="checkbox"/> Go to the last track in the same folder <input type="checkbox"/> Go on repeating
	FOLDER UP	1	Folder UP	<input type="checkbox"/> Go to the first track of the next folder <input type="checkbox"/> Go on repeating
	FOLDER DOWN	1	Folder DOWN	<input type="checkbox"/> Go to the first track of the previous folder <input type="checkbox"/> Go on repeating
	FF	1	Play FF until it reaches the end	<input type="checkbox"/> Go to the beginning of the same track <input type="checkbox"/> Release FF Mode <input type="checkbox"/> Go on repeating
FB	1	Play FB until it reaches the beginning	<input type="checkbox"/> Release FB Mode <input type="checkbox"/> Go on repeating	

5-7-11-4. FOLDER RPT (DISC MP3/WMA/AAC)

RPT Mode	Operation	#	Item/State	Specification
FOLDER RPT	Playback normally in RPT Mode	1	Repeat Method	<input type="checkbox"/> Repeat the tracks in current folder
		2	When it goes to the last track in the folder	<input type="checkbox"/> Go to the first track in the same folder <input type="checkbox"/> Go on repeating
	TRACK UP	1	Track UP	<input type="checkbox"/> Go to the next track in the same folder <input type="checkbox"/> Go on repeating
		2	Track up when it is the last track in the folder	<input type="checkbox"/> Go to the first track in the same folder <input type="checkbox"/> Go on repeating
	TRACK DOWN	1	Track DOWN (playing for more than 1sec)	<input type="checkbox"/> Go to the beginning of current track <input type="checkbox"/> Go on repeating
		2	Track DOWN (playing for less than 1sec)	<input type="checkbox"/> Go to the previous track <input type="checkbox"/> Go on repeating
		3	Track down when it is the first track in the folder (playing for less than 1sec)	<input type="checkbox"/> Go to the last track in the same folder <input type="checkbox"/> Go on repeating
	FOLDER UP	1	FOLDER UP	<input type="checkbox"/> Go to the first track of the next folder <input type="checkbox"/> Go on repeating
	FOLDER DOWN	1	FOLDER DOWN	<input type="checkbox"/> Go to the first track of the previous folder <input type="checkbox"/> Go on repeating
	FF	1	Play FF until it reaches the end	<input type="checkbox"/> Go to the next track <input type="checkbox"/> Keep FF Mode <input type="checkbox"/> Go on repeating
		2	Play FF until it reaches the end of the last track in the folder.	<input type="checkbox"/> Go to the first track in the same folder <input type="checkbox"/> Release FF Mode <input type="checkbox"/> Go on repeating
	FB	1	Play FB until it reaches the beginning	<input type="checkbox"/> Go to the previous track <input type="checkbox"/> Keep FB Mode <input type="checkbox"/> Go on repeating
		2	Play FB until it reaches the beginning of the first track in the folder	<input type="checkbox"/> Release FB Mode <input type="checkbox"/> Go on repeating

5-7-11-5. FOLDER RDM (DISC MP3/WMA/AAC)

RDM Mode	Operation	#	Item/State	Specification
FOLDER RDM	Playback normally in RDM Mode	1	RDM extraction Method	<input type="checkbox"/> Playback the track extracted from all the tracks in the folder by RDM
		2	When it goes to the end of the track	<input type="checkbox"/> Extract the next track from all the tracks in the folder by RDM <input type="checkbox"/> Go on RDM playing
		3	When it goes to the end of the last track in the folder (The last track in RDM)	<input type="checkbox"/> Go to the next folder <input type="checkbox"/> Extract the track from all the tracks in the next folder by RDM <input type="checkbox"/> Go on RDM playing
	TRACK UP	1	Track UP	<input type="checkbox"/> Extract the next track from the same folder by RDM <input type="checkbox"/> Go on RDM playing
		2	Track UP when it is the last track in the folder (The last track in RDM)	<input type="checkbox"/> Extract the next track from the same folder by RDM (RDM the folder again) <input type="checkbox"/> Go on RDM playing
	TRACK DOWN	1	Track DOWN	<input type="checkbox"/> Go to the beginning of the same track <input type="checkbox"/> Go on RDM playing
	FOLDER UP	1	Folder UP	<input type="checkbox"/> Release RDM Mode <input type="checkbox"/> Playback the first track of the next folder normally
	FOLDER DOWN	1	Folder DOWN	<input type="checkbox"/> Release RDM Mode <input type="checkbox"/> Playback the first track of the previous folder normally
	FF	1	Play FF until it reaches the end	<input type="checkbox"/> Extract the next track by RDM <input type="checkbox"/> Keep FF Mode <input type="checkbox"/> Go on RDM playing
		2	Play FF until it reaches the end of the last track in the folder (The last track in RDM)	<input type="checkbox"/> Extract the next track from the same folder by RDM (RDM the folder again) <input type="checkbox"/> Keep FF Mode <input type="checkbox"/> Go on RDM playing
	FB	1	Play FB until it reaches the beginning	<input type="checkbox"/> Playback from the beginning of the same track <input type="checkbox"/> Release FB Mode <input type="checkbox"/> Go on RDM playing

5-7-11-6. ALL RDM (DISC MP3/WMA/AAC)

RDM Mode	Operation	#	Item/State	Specification
ALL RDM	Playback normally in RDM Mode	1	RDM extraction Method	<input type="checkbox"/> Playback the track extracted from all the tracks in media by RDM ※ It will not play the same track continued, but may play again when the next ends because it does not calculate all the folders in media, just extracts the next track each time in a simple way.
		2	When it goes to the end of the track	<input type="checkbox"/> Extract the next track from media by RDM <input type="checkbox"/> Go on RDM playing
	TRACK UP	1	Track UP	<input type="checkbox"/> Extract the next track from media by RDM <input type="checkbox"/> Go on RDM playing
	TRACK DOWN	1	Track DOWN	<input type="checkbox"/> Go to the beginning of current track <input type="checkbox"/> No track transition <input type="checkbox"/> Go on RDM playing
	FOLDER UP	1	Folder UP	<input type="checkbox"/> Release RDM Mode <input type="checkbox"/> Playback the first track of the next folder normally
	FOLDER DOWN	1	Folder DOWN	<input type="checkbox"/> Release RDM Mode <input type="checkbox"/> Playback the first track of the previous folder normally
	FF	1	Play FF until it reaches the end	<input type="checkbox"/> Extract the next track media by RDM <input type="checkbox"/> Keep FF Mode <input type="checkbox"/> Go on RDM playing
	FB	1	Play FB until it reaches the beginning	<input type="checkbox"/> Playback from the beginning of the same track <input type="checkbox"/> Release FB Mode <input type="checkbox"/> Go on RDM playing

5-7-12. SCAN

Function	<input type="checkbox"/> CD Scan Mode
Operation of button	<input type="checkbox"/> Touch the <input type="text" value="SCAN"/> key (Action when Key is ON)
Detail	<p>■ When playing CD-DA</p> <p><input type="checkbox"/> It will switch to next scan mode like following if you touch the <input type="text" value="SCAN"/> key each time.</p> <p><input type="checkbox"/> It will play each track in the disk for 10sec in scan mode.</p> <p><input type="checkbox"/> It will go to the first track and keep the scan mode when it finishes playing the last track in the disk in scan mode.</p> <div style="text-align: center; margin: 10px 0;"> <div style="border: 1px solid black; padding: 5px; display: inline-block; margin: 0 5px;">SCAN OFF</div> → <div style="border: 1px solid black; padding: 5px; display: inline-block; margin: 0 5px;">DISC SCAN</div> → <div style="border: 1px solid black; padding: 5px; display: inline-block; margin: 0 5px;">SCAN OFF</div> </div> <p>■ When playing DISC MP3/WMA/AAC</p> <p><input type="checkbox"/> It will switch to next scan mode like following if you touch the <input type="text" value="SCAN"/> key each time.</p> <p><input type="checkbox"/> It will start to play each track in the folder for 10sec from the next track when you switch to FOLDER SCAN Mode.</p> <p><input type="checkbox"/> It will go to the first track and keep the scan mode when it finishes playing the last track in the folder in FOLDER SCAN Mode.</p> <div style="text-align: center; margin: 10px 0;"> <div style="border: 1px solid black; padding: 5px; display: inline-block; margin: 0 5px;">SCAN OFF</div> → <div style="border: 1px solid black; padding: 5px; display: inline-block; margin: 0 5px;">FOLDER SCAN</div> → <div style="border: 1px solid black; padding: 5px; display: inline-block; margin: 0 5px;">SCAN OFF</div> </div>
	<p><input type="checkbox"/> Initial setting is OFF.</p> <p><input type="checkbox"/> It will display the SCAN Mode name for 3sec, then display P-TIME if you switch to scan mode.</p> <p><input type="checkbox"/> It will scan from the next track to the track when you operate the folder.</p> <p><input type="checkbox"/> It will scan around once in the DISK/FOLDER, and stop when it goes to the track before scan starts.</p> <p><input type="checkbox"/> SCAN Mode will be released by following operations.</p> <ul style="list-style-type: none"> <input type="checkbox"/> Turn ACC/POWER OFF. <input type="checkbox"/> Switch to other source mode. <input type="checkbox"/> Turn the <input type="text" value="TUNE"/> key. (TRACK UP/DOWN) <input type="checkbox"/> Touch the <input type="text" value=">>"/> or <input type="text" value="<<"/> key for more than 0.5sec. (FF/FB) <input type="checkbox"/> Touch the <input type="text" value="UP"/> or <input type="text" value="DOWN"/> key. (Only DISC MP3/WMA/AAC : FOLDER UP/DOWN) <input type="checkbox"/> Touch <input type="text" value="RPT / RDM"/> key for less than 0.5sec. (RPT Mode ON) <input type="checkbox"/> Touch the <input type="text" value="RPT / RDM"/> key for more than 0.5sec. (RDM Mode ON) <input type="checkbox"/> Touch the <input type="text" value="SCAN"/> key. (SCAN Mode released)

5-7-12-1. DISC SCAN (CD-DA)

SCAN Mode	Operation	#	Item/State	Specification
DISC SCAN	Playback normally in Scan Mode	1	SCAN	<input type="checkbox"/> Playback each track for 10sec from the next track. <input type="checkbox"/> Go to the first track of the DISC if current track is the last.
		2	When finishes playing for 10sec.	<input type="checkbox"/> Playback the next track for 10sec. <input type="checkbox"/> Go to the first track of the DISC if current track is the last. <input type="checkbox"/> Keep SCAN Mode.
		3	When returns to the track when SCAN begins	<input type="checkbox"/> Playback normally. <input type="checkbox"/> Release SCAN Mode
	TRACK UP	1	Track UP	<input type="checkbox"/> Playback the next track normally. <input type="checkbox"/> Go to the first track of the DISC if current track is the last. <input type="checkbox"/> Release SCAN Mode
	TRACK DOWN	1	Track DOWN	<input type="checkbox"/> Go back to the beginning of the same track. <input type="checkbox"/> Release SCAN Mode
	FF	1	Play FF	<input type="checkbox"/> Play FF. <input type="checkbox"/> Release SCAN Mode
	FB	1	Play FB	<input type="checkbox"/> Play FB. <input type="checkbox"/> Release SCAN Mode

5-7-12-2. FOLDER SCAN (DISC MP3/WMA/AAC)

SCAN Mode	Operation	#	Item/State	Specification
FOLDER SCAN	Playback normally in Scan Mode	1	SCAN	<input type="checkbox"/> Playback each track for 10sec from the next track. <input type="checkbox"/> Go to the first track of the FOLDER if current track is the last.
		2	When finishes playing for 10sec.	<input type="checkbox"/> Playback the next track for 10sec. <input type="checkbox"/> Go to the first track of the FOLDER if current track is the last. <input type="checkbox"/> Keep SCAN Mode.
		3	When returns to the track when SCAN begins	<input type="checkbox"/> Playback normally. <input type="checkbox"/> Release SCAN Mode
	TRACK UP	1	Track UP	<input type="checkbox"/> Playback the next track. <input type="checkbox"/> Go to the first track of the FOLDER if current track is the last. <input type="checkbox"/> Release SCAN Mode
	TRACK DOWN	1	Track DOWN	<input type="checkbox"/> Go to the beginning of the same track. <input type="checkbox"/> Release SCAN Mode
	FOLDER UP	1	Folder UP	<input type="checkbox"/> Playback the first track of the next folder normally <input type="checkbox"/> Release SCAN Mode
	FOLDER DOWN	1	Folder DOWN	<input type="checkbox"/> Playback the first track of the previous folder normally <input type="checkbox"/> Release SCAN Mode
	FF	1	Play FF	<input type="checkbox"/> Play FF <input type="checkbox"/> Release SCAN Mode
	FB	1	Play FB	<input type="checkbox"/> Play FB <input type="checkbox"/> Release SCAN Mode

5-7-13. Switch to TITLE (CD/USB)

Function	<input type="checkbox"/> Switch to TITLE (CD/USB)
Operation of button	<input type="checkbox"/> Touch the <input type="text" value="TEXT"/> key for less than 0.5
Detail	<input type="checkbox"/> It will switch to next title mode like following if you touch the <input type="text" value="TEXT"/> key for less than 0.5sec in CD Mode. <input type="checkbox"/> Initial setting is displaying P-TIME. <input type="checkbox"/> It will go to display the last mode when connects next time even when ACC(POWER) OFF/ON, NO DISC/NO DEVICE. <input type="checkbox"/> It will display the mode name for 3sec then display the title if you switch to Displaying TITLE Mode. <input type="checkbox"/> It will display [NO TITLE] if there is no title. <input type="checkbox"/> The <input type="text" value="TEXT"/> key is effective in every trick play mode. <input type="checkbox"/> The <input type="text" value="TEXT"/> key is not effective when displaying VOLUME / AUDIO / MENU / iPod LIST screen. <input type="checkbox"/> It will keep the last display mode for each media mode.(Such as display mode of ARTIST TITLE, ALBUM TITLE.) ■ When displaying CD-DA <input type="checkbox"/> It will switch to next title mode like following no matter whether there is CD-TEXT or not when playing CD-DA. <div style="text-align: center;"> <input type="text" value="P-TIME"/> → <input type="text" value="DISC TITLE"/> → <input type="text" value="ARTIST TITLE"/> → <input type="text" value="TRACK TITLE"/> → <input type="text" value="P-TIME"/> </div> <input type="checkbox"/> It will display TRACK ARTIST for ARTIST TITLE, if there is no TRACK ARTIST it display DISC ARTIST instead. It will display [NO TITLE] when there is neither TRACK ARTIST nor DISC ARTIST. ■ When playing DISC/MS MP3/WMA/AAC <input type="checkbox"/> It will switch to next title display like following when playing DISC/MS MP3/WMA/AAC. <input type="checkbox"/> It will display [ROOT] for folder name if you select ROOT folder (the top layer). <input type="checkbox"/> It will also display the extension when displays FILE TITLE. <div style="text-align: center;"> <input type="text" value="P-TIME"/> → <input type="text" value="FOLDER TITLE"/> → <input type="text" value="FILE TITLE"/> → <input type="text" value="P-TIME"/> </div> ■ When playing iPod <input type="checkbox"/> It will display the information of the track playing now. <input type="checkbox"/> It will display the conent which is got from iPod. <div style="text-align: center;"> <input type="text" value="P-TIME"/> → <input type="text" value="ARTIST TITLE"/> → <input type="text" value="ALBUM TITLE"/> → <input type="text" value="SONG TITLE"/> → <input type="text" value="P-TIME"/> </div> ※ It does not support to display chapter name.

5-7-14. Send PAGE (CD/USB)

Function	<input type="checkbox"/> Send CD / USB TITLE Displaying PAGE (2-line display)
Operation of button	<input type="checkbox"/> Touch the <input type="text" value="TEXT"/> key for more than 0.5sec
Detail	<p><input type="checkbox"/> There are 2 display modes. One displays the lower line only (1-line Display Mode), the other displays both upper and Lower lines (2-line Display Mode).</p> <p><input type="checkbox"/> Initial mode is 1-line Display Mode.</p> <ul style="list-style-type: none"> • 1-line Display Mode <ul style="list-style-type: none"> <input type="checkbox"/> It displays Mode name, DISC number, FOLDER number, TRACK number and CHANNEL number on the Upper line of screen. <input type="checkbox"/> It displays P-TIME, Frequency or Title on the Lower line of screen. <input type="checkbox"/> It will switch to next display if you touch the <input type="text" value="TEXT"/> key for less than 0.5sec. <input type="checkbox"/> It will display error message instead when error occurs. (Refer to Displaying Specification for displaying error message.) • <u>2-line Display Mode</u> <ul style="list-style-type: none"> <input type="checkbox"/> 2-line Display Mode is the mode to display the title name that more than 16 characters for 2 lines. <input type="checkbox"/> It will go to 2-line Display Mode if you touch the <input type="text" value="TEXT"/> key for more than 0.5sec in 1-line Display Mode. <input type="checkbox"/> It will not go to 2-line Display Mode if there are less than 16 characters in the title. <input type="checkbox"/> It will display the beginning 15 characters of title string on the Upper line and the 16rd to 30th characters on the Lower line. <input type="checkbox"/> It will turn to next page if you touch the <input type="text" value="TEXT"/> key for more than 0.5sec in 2-line Display Mode when there are more than 31 characters in the title. <input type="checkbox"/> However, the number characters which would be turned up depends on the content of the title. <input type="checkbox"/> It will return to 1-line Display Mode if you touch the <input type="text" value="TEXT"/> key for more than 0.5sec in 2-line Display Mode when it is displaying the last page. <input type="checkbox"/> It does not break words. <input type="checkbox"/> 2-line Display Mode will be released by the following condition. <ul style="list-style-type: none"> <input type="checkbox"/> When you touch the <input type="text" value="TEXT"/> key for more than 0.5sec when it is displaying the last page. <input type="checkbox"/> No operation for 10sec. <input type="checkbox"/> When it goes to a track that there is less than 16 characters in title name.

5-7-15. Display ERROR Message (CD Mode)

Function	<input type="checkbox"/> Display ERROR Message
Operation of button	-
Detail	<p><input type="checkbox"/> It is available to switch modes or adjust AUDIO even when error occurs.</p> <p><input type="checkbox"/> The displaying of ERROR Message will be released when switch modes.</p> <p><input type="checkbox"/> It will not display ERROR Message even if error occurs when ejecting in other mode except CD Mode.</p> <p><input type="checkbox"/> Displaying Priority will be the following: 「Mechanism ERROR > Forcus ERROR > DISC ERROR > Format ERROR」.</p> <ul style="list-style-type: none"> ▪ <u>Mechanism ERROR</u> <ul style="list-style-type: none"> <input type="checkbox"/> When Mechanism ERROR occurs in CD. <input type="checkbox"/> When it cannot EJECT DISC. <input type="checkbox"/> It will display “PUSH EJECT” when Mechanism ERROR occurs. ▪ <u>Forcus ERROR</u> <ul style="list-style-type: none"> <input type="checkbox"/> DISC stops when it read TOC. <input type="checkbox"/> There is a flaw in the DISC. <input type="checkbox"/> It will display “CHECK DISC” when Forcus ERROR occurs. ▪ <u>DISC ERROR</u> <ul style="list-style-type: none"> <input type="checkbox"/> Insert the DISC uncorrectly. <input type="checkbox"/> It is a dirty DISC. <input type="checkbox"/> Insert a unwritten CD-R <input type="checkbox"/> TOC information is damaged. <input type="checkbox"/> It will display “CHECK DISC” when DISC ERROR occurs. ▪ <u>Format ERROR</u> <ul style="list-style-type: none"> <input type="checkbox"/> Sound will not come out if it is unable to decode. <input type="checkbox"/> It will take 3sec to detect the file that unable to decode, and keep the state for 5sec then goes to the next file. <input type="checkbox"/> It will display nothing when Format ERROR occurs. ▪ <u>No File ERROR</u> <ul style="list-style-type: none"> <input type="checkbox"/> There is no DISC MP3/WMA/AAC file in the DISC. <input type="checkbox"/> It will display “CHECK DISC” when No File ERROR occurs. ▪ <u>Digital Rights Management (DRM)</u> <ul style="list-style-type: none"> <input type="checkbox"/> It will not come out sound if the DRM of WMA of the playing file is ON. <input type="checkbox"/> It will take 3sec to detect DRM, and keep the state for 5sec then goes to the next file. <input type="checkbox"/> It will display nothing when DRM occurs.

5-8. Operation of USB

5-8-1. USB CONNECT

Function	<input type="checkbox"/> Connect to USB Media (1 USB Drive)
Operation of button	<input type="checkbox"/> Connect to USB Media with USB Concave shape A Connector.
Detail	<p><input type="checkbox"/> It will not switch to USB Mode automatically even if it connects to USB Media.</p> <ul style="list-style-type: none"> ▪ In USB Mode <ul style="list-style-type: none"> <input type="checkbox"/> It will display [NO DEVICE] if it connects to nothing with USB connector. <input type="checkbox"/> It will display [USB READING] until it gets ready to play the device that connected. <input type="checkbox"/> It will display [USB READING] no matter what it is connecting to, iPod, MSC or unsuport device. ▪ Connected to MSC(Mass Storage Class) in USB Mode <ul style="list-style-type: none"> <input type="checkbox"/> It will play from the first track of the first folder when it finishes USB READING. (TOP PLAY) <input type="checkbox"/> It will play the resume when reconnected to the same MSC. <input type="checkbox"/> Resume information will be scraped each time it connects to an iPod. ▪ Connected to iPod in USB Mode <ul style="list-style-type: none"> <input type="checkbox"/> It will start to play from where controlled by iPod when it finishes USB READING. (Depends on iPod) <input type="checkbox"/> It will start to play from the first track of song category after it finishes USB READING when it is connected to an iPod that is stopped. <input type="checkbox"/> It will start to play from the first track of song category after it finishes USB READING when it is connected to an iPod that is playing VIDEO. <input type="checkbox"/> It will be ALL RPT Mode if it is connected in RPT Mode. It sets ALL RPT automatically by USB Control Comand. <input type="checkbox"/> It supports audio only for iPod. (Video is not supported.) <input type="checkbox"/> The Logo of SUBARU will be displayed on iPod screen when connected. <p>※ You cannot do an operation on iPod while connected. However, Touch Pannel Model iPod will be effective.</p> <ul style="list-style-type: none"> ▪ Others <ul style="list-style-type: none"> <input type="checkbox"/> It is able to connect to an iPod when ACC is OFF, but it cannot recognaize the device. <input type="checkbox"/> Response latency for USB DEVICE will be 15sec when turn ACC OFF/ON. It will display [USB READING] in the time even if nothing connected with USB connector. (Specification for bad reaction device.)

5-8-2. USB DISCONNECT

Function	<input type="checkbox"/> Disconnect USB Device
Operation of button	<input type="checkbox"/> Disconnect USB Connector by hand
Detail	<input type="checkbox"/> It will keep USB Mode when you disconnect USB device in USB Mode. <input type="checkbox"/> It will keep current Mode when you disconnect USB device in other mode except USB Mode. <input type="checkbox"/> It will start USB Mode when you turn POWER ON next time if you disconnect the device when POWER is OFF. <input type="checkbox"/> It will work like following if you replace the connected device when POWER(ACC) is OFF. (Destination for All Models) <ul style="list-style-type: none"> <input type="checkbox"/> If you replace the connected device with an iPod, it will start to play from where controlled by the iPod. <input type="checkbox"/> If you replace the connected device with a MSC (Even it is the same MSC.), it will start to play from top. <input type="checkbox"/> It will display [USB READING] and start USB Mode when you turn POWER ON next time if you disconnect the device in USB Mode when POWER is OFF. If no device detected it will go to NO DEVICE. (It takes 15sec to confirm NO DEVICE.) <input type="checkbox"/> Trickplay Mode will be released if you disconnect the USB device. <input type="checkbox"/> Trickplay Mode will be kept when you turn ACC on next time if you disconnect and connect the same USB device When ACC is OFF.

5-8-3. Playback Object (CD/USB)

Refer to Playback Object (CD/USB).

5-8-4. Switch to USB Mode

Function	<input type="checkbox"/> Switch to USB Mode
Operation of button	<input type="checkbox"/> Touch <input type="text" value="CD / AUX"/> key (Action when Key is ON.)
Detail	<p><input type="checkbox"/> Touch the <input type="text" value="CD / AUX"/> key to switch to USB Mode when in other source mode.</p> <p><input type="checkbox"/> It is effective when POWER is OFF.</p> <p><input type="checkbox"/> It will switch to next source mode like following if you touch the <input type="text" value="CD / AUX"/> key in USB Mode.</p> <p><input type="text" value="CD"/> → <input type="text" value="USB(iPod)"/> → <input type="text" value="BT Audio"/> → <input type="text" value="AUX"/> → <input type="text" value="MediaHub"/> → <input type="text" value="CD"/> →</p> <p><input type="checkbox"/> It will play resume if you switch to USB Mode when it is connected to Memory or iPod. (RPT/RDM Mode is kept.)</p>

5-8-5. Play / Pause (CD / USB)

Please refer to CD Mode for it includes the operation.

5-8-6. TRACK UP / DOWN (MSC)

- It is the same to CD (DISC MP3/WMA/AAC When playing).

5-8-7. FOLDER UP / DOWN (MSC)

- It is the same to CD (DISC MP3/WMA/AAC When playing).

5-8-8. TRACK UP / DOWN (iPod)

Function	<input type="checkbox"/> Index UP/DOWN ※It display track index in iPod.
Operation of button	<input type="checkbox"/> Turn the <input type="checkbox"/> TUNE key
Detail	<input type="checkbox"/> It will go to the next index if you turn right the <input type="checkbox"/> TUNE key in iPod Mode. <input type="checkbox"/> It will go to the beginning of the playing index if you turn left the <input type="checkbox"/> TUNE key in iPod Mode. <input type="checkbox"/> It will go to the previous index if you turn left the <input type="checkbox"/> TUNE key when it plays the index for less than 1sec. However, the timing may be different for different model or F/M Version because of that going to previous track or not is controlled by iPod. <input type="checkbox"/> It is not available to operate in READING.

5-8-9. CHAPTER UP / DOWN (iPod)

Function	<input type="checkbox"/> CHAPTER UP/DOWN
Operation of button	<input type="checkbox"/> Turn the <input type="checkbox"/> TUNE key <input type="checkbox"/> It is possible to operate in Podcasts or Audio Books. (There is ST with or without chapter for different content) <input type="checkbox"/> It will track up if you chapter up when it is the last chapter. <input type="checkbox"/> It will track down if you chapter down when it is the first chapter.
Detail	<input type="checkbox"/> It will go to the next chapter if you turn right the <input type="checkbox"/> TUNE key in a file with chapters in iPod mode. <input type="checkbox"/> It will go to the beginning of the chapter if you turn left the <input type="checkbox"/> TUNE key in a file with chapters in iPod mode. <input type="checkbox"/> It will go to the previous chapter if you turn left the <input type="checkbox"/> TUNE key when it plays the chapter for less than 1sec. <input type="checkbox"/> It will go to the next index if you turn right the <input type="checkbox"/> TUNE key when it is the last chapter. <input type="checkbox"/> It will go to the previous index if you turn left the <input type="checkbox"/> TUNE key when it is the first chapter and it has played for less than 1sec. <input type="checkbox"/> It is not available to operate when READING.

5-8-10. FF / FB (MSC)

- It is the same to Operation Specification of CD (DISC MP3/WMA/AAC When playing).

5-8-11. FF / FB (iPod)


- Track is discripted as Index in iPod.

Function	<input type="checkbox"/> Playing FF/FB of iPod <input type="checkbox"/> Sound comes out when playing FF/FB. (Sound comes out or not depending on the condition of iPod.)
Operation of button	<input type="checkbox"/> Touch the <input type="checkbox"/> >> or <input type="checkbox"/> << key for more than 0.5sec. (Action only while touching.)
Detail	<input type="checkbox"/> It will play FF if you touch the <input type="checkbox"/> >> key fot more than 0.5sec in iPod Mode. <input type="checkbox"/> It will play FB if you touch the <input type="checkbox"/> << key fot more than 0.5sec in iPod Mode. <input type="checkbox"/> BEEP sounds when confirms the key operation. <input type="checkbox"/> It will display P-TIME in playing FF/FB. <input type="checkbox"/> It will not display P-TIME but keep displaying menu if it is in iPod MENU Mode. <input type="checkbox"/> It will go to the next index and released from FF mode if it plays FF in the end of the index. (Depending on Specification of iPod.) <input type="checkbox"/> It will be released from FB mode and start to play if it plays FB at the beginning of the index. (Depending on Specification of iPod.) <input type="checkbox"/> The speed of playing FF/FB is depending on Specification of iPod for it is controlled by iPod. <input type="checkbox"/> FF/FB mode will be released by following conditions. <ul style="list-style-type: none"> <input type="checkbox"/> When you release the key. <input type="checkbox"/> When you switch to other source mode. <input type="checkbox"/> Whe you disconnect the device. <input type="checkbox"/> When you turn ACC / POWER OFF.

5-8-12. RPT (MSC)

Function	<input type="checkbox"/> RPT Mode of MSC
Operation of button	<input type="checkbox"/> Touch the <input type="text" value="RPT / RDM"/> key for less than 0.5sec.
Detail	<p><input type="checkbox"/> It will switch to next RPT mode like following if you touch the <input type="text" value="RPT / RDM"/> key for less than 0.5sec each time.</p> <div style="text-align: center; margin: 10px 0;"> <pre> graph LR A[REPEAT OFF] --> B[TRACK REPEAT] B --> C[FOLDER REPEAT] C --> D[REPEAT OFF] </pre> </div> <p><input type="checkbox"/> Initial setting is OFF.</p> <p><input type="checkbox"/> It will display the RPTmode name for 3sec, then trturns to the last display (such as ARTIST NAME, P-TIME) when you switch to RPT Mode.</p> <p><input type="checkbox"/> RPT indicator will be on in RPT Mode.</p> <p><input type="checkbox"/> It will keep RPT Mode when you turn ACC/POWER OFF or switch to other source mode.</p> <p><input type="checkbox"/> RPT Mode will be released by following operation.</p> <ul style="list-style-type: none"> <input type="checkbox"/> Touch the <input type="text" value="SCAN"/> key. (SCAN Mode will be ON when Key is ON) <input type="checkbox"/> Touch the <input type="text" value="RPT / RDM"/> key for less than 0.5sec in FOLDER RPT Mode. (RPT Mode released.) <input type="checkbox"/> Touch the <input type="text" value="RPT / RDM"/> key for more than 0.5sec. (RDM Mode will be ON) <input type="checkbox"/> Disconnect the media device. (Replaced with other media device.)

5-8-13. RDM (MSC)

Function	<input type="checkbox"/> RDM Mode of MSC
Operation of button	<input type="checkbox"/> Touch the <input type="checkbox"/> RPT / RDM key for more than 0.5sec.
Detail	<p><input type="checkbox"/> It will switch to next RDM mode like following if you touch the <input type="checkbox"/> RPT / RDM key for more than 0.5sec each time.</p> <div style="text-align: center;">  <pre> graph LR A["RANDOM OFF"] --> B["FOLDER RANDOM"] B --> C["ALL RANDOM"] C --> D["RANDOM OFF"] </pre> </div> <p><input type="checkbox"/> Initial setting is OFF.</p> <p><input type="checkbox"/> BEEP sounds when you switch to RDM Mode.</p> <p><input type="checkbox"/> It will display the RDM mode name for 3sec, then returns to the last display when you switch to RDM Mode.</p> <p><input type="checkbox"/> It will keep displaying P-TIME until it gets the title.</p> <p><input type="checkbox"/> RDM Indicator will be on in RDM Mode.</p> <p><input type="checkbox"/> It will keep RDM Mode when you turn ACC/POWER OFF or switch to other source mode.</p> <p><input type="checkbox"/> RDM Mode will be released by following operation.</p> <ul style="list-style-type: none"> <input type="checkbox"/> Touch the <input type="checkbox"/> UP or <input type="checkbox"/> DOWN key. <input type="checkbox"/> Touch the <input type="checkbox"/> SCAN key. (SCAN Mode will be ON when Key is ON) <input type="checkbox"/> Touch the <input type="checkbox"/> RPT / RDM key for less than 0.5sec. (RPT Mode will be ON) <input type="checkbox"/> Touch the <input type="checkbox"/> RPT / RDM key for more than 0.5sec in ALL RDM Mode. (RDM Mode released) <input type="checkbox"/> Disconnect the media device. (Replaced with other media device.)

5-8-14. RPT/RDM Playlist of Track Transition

5-8-14-1. TRACK RPT (MSC)

- Omitted for the same Operation Specification to TRACK RPT (DISC MP3/WMA/AAC).

5-8-14-2. FOLDER RPT (MSC)

- Omitted for the same Operation Specification to FOLDER RPT (DISC MP3/WMA/AAC).

5-8-14-3. FOLDER RDM(MSC)

- Omitted for the same Operation Specification to FOLDER RDM (DISC MP3/WMA/AAC).

5-8-14-4. ALL RDM(MSC)

- Omitted for the same Operation Specification to ALL RDM(DISC MP3/WMA/AAC).

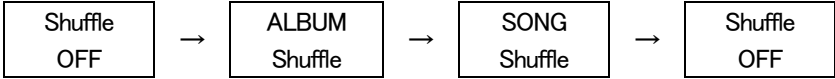
5-8-15. SCAN

Function	<input type="checkbox"/> SCAN Mode of USB (MSC Only)
Operation of button	<input type="checkbox"/> Touch the <input type="checkbox"/> SCAN key.
	<p><input type="checkbox"/> It will switch to next SCAN mode like following if you touch the <input type="checkbox"/> SCAN key each time.</p> <p><input type="checkbox"/> It will start to play all the tracks in the folder for 10sec each from the next track if you switch to FOLDER SCAN Mode.</p> <p><input type="checkbox"/> It will go to the first track and go on scanning when it is the end of the last track in the folder in FOLDER SCAN Mode.</p> <div style="text-align: center; margin: 10px 0;"> <pre> graph LR A[SCAN OFF] --> B[FOLDER SCAN] B --> C[SCAN OFF] </pre> </div> <p><input type="checkbox"/> Initial setting is OFF.</p> <p><input type="checkbox"/> It will display SCAN Mode name for 3sec, then displays P-TIME when you switch to SCAN Mode.</p> <p><input type="checkbox"/> It will go to the first track when it finishes scanning the last track in the folder.</p> <p><input type="checkbox"/> It will scan the folder around once and stops when it returns to the track before it starts.</p>
Detail	<p><input type="checkbox"/> SCAN Mode will be released by following operation.</p> <ul style="list-style-type: none"> <input type="checkbox"/> Turn ACC / POWER OFF. <input type="checkbox"/> Switch to other source mode. <input type="checkbox"/> Turn the <input type="checkbox"/> TUNE key. (Track UP / DOWN) <input type="checkbox"/> Touch the <input type="checkbox"/> >> or <input type="checkbox"/> << key for more than 0.5sec. (FF / FB) <input type="checkbox"/> Touch the <input type="checkbox"/> UP or <input type="checkbox"/> DOWN key. (DISC / MSC MP3 / WMA / AAC Only : FOLDER UP / DOWN) <input type="checkbox"/> Touch the <input type="checkbox"/> RPT / RDM key for less than 0.5sec. (RPT Mode ON) <input type="checkbox"/> Touch the <input type="checkbox"/> RPT / RDM key for more than 0.5sec. (RDM ON) <input type="checkbox"/> Touch the <input type="checkbox"/> SCAN key. (SCAN Mode released when Key is ON)

5-8-16. RPT (iPod)

Function	<input type="checkbox"/> RPT Mode of iPod <input type="checkbox"/> Initial setting may be different depending on the RPT setting of iPod when connecting. <input type="checkbox"/> It is available to set RPT and Shuffle together depending on the Specification of iPod.
Operation of button	<input type="checkbox"/> Touch the <input type="checkbox"/> RPT / RDM key for less than 0.5sec.
Detail	<input type="checkbox"/> It will switch to next RPT Mode like following if you touch the <input type="checkbox"/> RPT / RDM key for less than 0.5sec. <div style="text-align: center; margin: 10px 0;"> </div> <input type="checkbox"/> Initial setting is ALL REPEAT. <input type="checkbox"/> It will display RPTMode name for 3sec, then returns to the last display (Such as ARTIST TITLE, P-TIME) when you switch to RPT Mode. <input type="checkbox"/> RPT Indication will be ON in RPT Mode. <input type="checkbox"/> iPod will keep the setting even if it is disconnected. ✘ The setting may be released depending on the Specification. <input type="checkbox"/> It is not available to set RPT when playing Audiobook.

5-8-17. Shuffle (iPod)

Function	<input type="checkbox"/> Shuffle Mode of iPod <input type="checkbox"/> It will display "RANDOM" or "RDM" instead of "Shuffle" for there are too many character. <input type="checkbox"/> ShuffleFunction is carried on by iPod. <input type="checkbox"/> It is available to set RPT and SHUFFLE together depending on Specification of iPod. <input type="checkbox"/> It will act like following depending on Specification of iPod. <input type="checkbox"/> SONG Shuffle : Reorder the playing order in selected DB by random. <input type="checkbox"/> ALBUM Shuffle : Reorder the playing order of album unit in selected DB by random.
Operation of button	<input type="checkbox"/> Touch the <input type="checkbox"/> RPT / RDM key for more than 0.5sec.
Detail	<input type="checkbox"/> It will switch to next Shuffle Mode like following if you touch the <input type="checkbox"/> RPT / RDM for more than 0.5sec. <div style="text-align: center;">  <pre> graph LR A[Shuffle OFF] --> B[ALBUM Shuffle] B --> C[SONG Shuffle] C --> D[Shuffle OFF] </pre> </div> <input type="checkbox"/> Initial setting is depending on the shuffle setting of the connecting iPod. <input type="checkbox"/> BEEP counts when you switch to next shuffle mode. <input type="checkbox"/> It will display Shuffle name for 3sec then returns to the last display when you switch to Shuffle Mode. <input type="checkbox"/> It will display P-TIME until it gets the title. <input type="checkbox"/> RDM indicator is on in Shuffle Mode. <input type="checkbox"/> It will keep Shuffle Mode even if you turn ACC/POWER OFF or switch to other source mode. ※ It may be released depending on iPod Specification. <input type="checkbox"/> iPod will keep the shuffle setting even it is disconnected. <input type="checkbox"/> Shuffle Mode will be released by following operation. <input type="checkbox"/> Touch the <input type="checkbox"/> RPT / RDM key for more than 0.5sec in SONG Shuffle Mode. <input type="checkbox"/> It is not available to set Shuffle Mode when playing Audiobook / Podcasts. <input type="checkbox"/> RDM indicator will be OFF when playing Audiobook / Podcasts.

5-8-18. RPT/Shuffle Playlist of Track Transition

5-8-18-1. SONG RPT (iPod)

※ The following is the reference only for the action is controlled by iPod.
There may be different actions for different iPod model or F/M Specification.

※ACTION FOR REFERENCE※

RPT Mode	Operation	#	Item/State	Specification
SONG RPT	Play normally in RPT Mode	1	Repeat Method	<input type="checkbox"/> Repeat the current index.
		2	When it goes to the end of current track.	<input type="checkbox"/> Go to the beginning of current index. <input type="checkbox"/> Go on repeating
	Track UP	1	Track UP	<input type="checkbox"/> Go to the beginning of current index. <input type="checkbox"/> Go on repeating
		2	Track up when it is the last track in the DB	<input type="checkbox"/> Go to the beginning of current index. <input type="checkbox"/> Go on repeating
	Track DOWN	1	Track DOWN (Has played for more than 1sec)	<input type="checkbox"/> Go to the beginning of current index. <input type="checkbox"/> Go on repeating
		2	Track DOWN (Has played for less than 1 sec)	<input type="checkbox"/> Go to the beginning of current index. <input type="checkbox"/> Go on repeating
	FF	1	Play FF until it reach the end	<input type="checkbox"/> Go to the beginning of current index. <input type="checkbox"/> FF Mode Released <input type="checkbox"/> Go on repeating
	FB	1	Play FB until it reach the beginning	<input type="checkbox"/> FB Mode Released <input type="checkbox"/> Go on repeating

5-8-18-2. ALL RPT (iPod)

※ The following is the reference only for the action is controlled by iPod.

There may be different actions for different iPod model or F/M Specification

※ACTION FOR REFERENCE※

RPT Mode	Operation	#	Item/State	Specification
ALL RPT	Play normally in RPT Mode	1	Repeat Method	<input type="checkbox"/> Repeat all indexes in current DB
		2	When finishes playing the last index in DB	<input type="checkbox"/> Go to the first index in DB <input type="checkbox"/> Go on repeating
	Track UP	1	Track UP	<input type="checkbox"/> Go to the next index in current DB <input type="checkbox"/> Go on repeating
		2	Track UP when it is the last index in DB	<input type="checkbox"/> Go to the first index in DB <input type="checkbox"/> Go on repeating
	Track DOWN	1	Track DOWN (Has played for more than 1sec)	<input type="checkbox"/> Go to the beginning of current index <input type="checkbox"/> Go on repeating
		2	Track DOWN (Has played for less than 1sec)	<input type="checkbox"/> Go to the previous index <input type="checkbox"/> Go on repeating
		3	Track DOWN when it is the first track in the folder (Has played for less than 1sec))	<input type="checkbox"/> Go to the last index in current DB <input type="checkbox"/> Go on repeating
	FF	1	Play FF until it reach the end	<input type="checkbox"/> Go to the next index <input type="checkbox"/> FF Mode Released <input type="checkbox"/> Go on repeating
		2	Play FF until it reach the end of the last index in DB	<input type="checkbox"/> Go to the first index in DB <input type="checkbox"/> FF Mode Released <input type="checkbox"/> Go on repeating
	FB	1	Play FB until it reach the beginning	<input type="checkbox"/> FB Mode Released <input type="checkbox"/> Go on repeating
		2	Play FB until it reach the beginning of the first index in DB	<input type="checkbox"/> FB Mode Released <input type="checkbox"/> Go on repeating

5-8-18-3. ALBUM Shuffle (iPod)

※ The following is the reference only for the action is controlled by iPod.

There may be different actions for different iPod model or F/M Specification.

※ACTION FOR REFERENCE※

RPT Mode	Operation	#	Item/State	Specification
ALBUM Shuffle	Play normally in Shuffle Mode	1	Shuffle Method	<input type="checkbox"/> Repeat all indexes in current DB
		2	When finishes playing the last index in DB	<input type="checkbox"/> Go to the first index in current DB <input type="checkbox"/> Reshuffle <input type="checkbox"/> Go on shuffling
	Track UP	1	Track UP	<input type="checkbox"/> Go to the next index in current DB <input type="checkbox"/> Go on shuffling
		2	Track UP when it is the last index in DB	<input type="checkbox"/> Go to the first index in current DB <input type="checkbox"/> Reshuffle <input type="checkbox"/> Go on shuffling
	Track DOWN	1	Track DOWN (Has played for more than 1sec)	<input type="checkbox"/> Go to the beginning of current index <input type="checkbox"/> Go on shuffling
		2	Track DOWN (Has played for less than 1sec)	<input type="checkbox"/> Go to the previous index <input type="checkbox"/> Go on shuffling
		3	Track DOWN when it is the first track in the folder (Has played for less than 1sec))	<input type="checkbox"/> Go to the last index in the same folder <input type="checkbox"/> Reshuffle <input type="checkbox"/> Go on shuffling
	FF	1	Play FF until it reach the end	<input type="checkbox"/> Go to the next index <input type="checkbox"/> FF Mode Released <input type="checkbox"/> Go on shuffling
		2	Play FF until it reach the end of the last index in DB	<input type="checkbox"/> Go to the first index in current DB <input type="checkbox"/> Reshuffle <input type="checkbox"/> FF Mode Released <input type="checkbox"/> Go on shuffling
	FB	1	Play FB until it reach the beginning	<input type="checkbox"/> FB Mode Released <input type="checkbox"/> Go on shuffling
		2	Play FB until it reach the beginning of the first index in DB	<input type="checkbox"/> FB Mode Released <input type="checkbox"/> Go on shuffling

5-8-18-4. SONG Shuffle (iPod)

※ The following is the reference only for the action is controlled by iPod.

There may be different actions for different iPod model or F/M Specification.

※ACTION FOR REFERENCE※

RPT Mode	Operation	#	Item/State	Specfcation
SONG Shuffle	Play normally in Shuffle Mode	1	Shuffle Method	<input type="checkbox"/> Repeat all indexes in current DB
		2	When finishes playing the last index in DB	<input type="checkbox"/> Go to the first index in current DB <input type="checkbox"/> Reshuffle <input type="checkbox"/> Go on shuffling
	Track UP	1	Track UP	<input type="checkbox"/> Go to the next index in current DB <input type="checkbox"/> Go on shuffling
		2	Track UP when it is the last index in DB	<input type="checkbox"/> Go to the first index in current DB <input type="checkbox"/> Reshuffle <input type="checkbox"/> Go on shuffling
	Track DOWN	1	Track DOWN (Has played for more than 1sec)	<input type="checkbox"/> Go to the beginning of current index <input type="checkbox"/> Go on shuffling
		2	Track DOWN (Has played for less than 1sec)	<input type="checkbox"/> Go to the previoures index <input type="checkbox"/> Go on shuffling
		3	Track DOWN when it is the first track in the folder (Has played for less than 1sec))	<input type="checkbox"/> Go to the last index in current DB <input type="checkbox"/> Reshuffle <input type="checkbox"/> Go on shuffling
	FF	1	Play FF until it reach the end	<input type="checkbox"/> Go to the next index <input type="checkbox"/> FF Mode Released <input type="checkbox"/> Go on shuffling
		2	Play FF until it reach the end of the last index in DB	<input type="checkbox"/> Go to the first index in current DB <input type="checkbox"/> Reshuffle <input type="checkbox"/> FF Mode Released <input type="checkbox"/> Go on shuffling
	FB	1	Play FB until it reach the beginning	<input type="checkbox"/> FB Mode Released <input type="checkbox"/> Go on shuffling
		2	Play FB until it reach the beginning of the first index in DB	<input type="checkbox"/> FB Mode Released <input type="checkbox"/> Go on shuffling

5-8-19. Select Category (iPod)

Function	<input type="checkbox"/> Select Category of iPod <input type="checkbox"/> Only Audio Category is able to be selected. <input type="checkbox"/> The iPod may go to Stop Mode. It will display iPod MENU when it goes to Stop Mode.
Operation of button	<input type="checkbox"/> Touch the <input type="text" value="LIST / BACK"/> for less than 1.5sec : Call iPod MENU (iPod MENU Released) <input type="checkbox"/> Touch the <input type="text" value="LIST / BACK"/> for less than 1.5sec : List Back (iPod MENU Displaying) <input type="checkbox"/> Touch the <input type="text" value="LIST / BACK"/> for more than 1.5sec : Release iPod MENU (iPod MENU Displaying) <input type="checkbox"/> Turn right the <input type="text" value="TUNE"/> key : iPod MENU 内 UP (iPod MENU Displaying) <input type="checkbox"/> Turn left the <input type="text" value="TUNE"/> key : iPod MENU 内 DOWN (iPod MENU Displaying) <input type="checkbox"/> Touch the <input type="text" value="TUNE"/> key : Decide the Item (iPod MENU Displaying)
Detail	<input type="checkbox"/> It is able to select audio category of iPod in iPod MENU. <input type="checkbox"/> It will display Playlists when you open iPod MENU. (The list in this layer is called Top Menu.) <input type="checkbox"/> Item order will be the following when you open the Top Menu. Playlists ⇒ Artists ⇒ Albums ⇒ Songs ⇒ Podcasts ⇒ Genres ⇒ Composers ⇒ Audiobooks ⇒ Playlists*** <input type="checkbox"/> It will display [NO MUSIC] if there is no item in the list you selected to go when touch the <input type="text" value="TUNE"/> key. <input type="checkbox"/> It will return to upper list and it is able to select list/item, if you touch the <input type="text" value="LIST / BACK"/> key for less than 1.5sec when displaying [NO MUSIC]. (The <input type="text" value="LIST / BACK"/> key is able to do that itself even not in displaying [NO MUSIC].) <input type="checkbox"/> It will display P-TIME temporary then goes to the main Screen and plays the track if you selected a track and touched the <input type="text" value="TUNE"/> key. <input type="checkbox"/> It will release iPod MENU automatically and display P-TIME temporary then goes to the main Screen and plays if you do no operation in 10sec when you open the list. <input type="checkbox"/> It will return to upper list if you listback from current iPod MENU. <ul style="list-style-type: none"> <input type="checkbox"/> It will display the list of what you select last time. <input type="checkbox"/> It is able to return to main Screen at last if you touch the key till it returns to main Screen. <input type="checkbox"/> It is unable to listback in Main Screen. (It will go to the Top MENU in iPod MENU) <input type="checkbox"/> It will release iPod MENU Screen and go to Main Screen if you touch the <input type="text" value="LIST / BACK"/> key for more than 1.5sec in iPod MENU Screen.

- It will act like following when you do operations in iPod MENU.

Please refer to each chapter for detail operation of effective keys.

● HARD KEY OF SET

KEY	Effect	Notes
EJECT	effective	Keep the Display Go on to count 10sec
TEXT	not effective	Keep the Display
CD / AUX	effective	Switch to the Mode
FM / AM	effective	Switch to the Mode
SCAN(/ AS)	not effective	Keep the Display
MENU	effective	iPod MENU Released
SAT	effective	Switch to the Mode (when there is tuner)
VOL	effective	Display VOL Temporary Keep displaying for 10sec then return to iPod MENU
Power OFF	effective	Power OFF
UP / DOWN	not effective	Keep the Display
<< / >>	not effective	Keep the Display
Pch 1~6	not effective	Keep the Display
RPT / RDM	not effective	Keep the Display

● STEREO REMOTE CONTROLLER

KEY	Effect	Notes
MODE	effective	Switch to the Mode
UP	not effective	Keep the Display
DOWN	not effective	Keep the Display
VOLUME +	effective	Display VOL Temporary Keep displaying for 10sec then return to iPod MENU
VOLUME -	effective	Display VOL Temporary Keep displaying for 10sec then return to iPod MENU
TALK	effective	Go to TEL Mode
OFF HOOK	effective	Switch to the Mode
ON HOOK	not effective	Keep the Display

Detail

5-8-20. Switch to TITLE

- Refers to Switch to TITLE of CD/USB

5-8-21. Send PAGE

- Omitted for the same.

5-8-22. Display ERROR (USB)

(1/2)

Function	<input type="checkbox"/> Display ERROR in USB Mode
Operation of button	-
Detail	<p><input type="checkbox"/> It is able to switch other mode or adjust AUDIO when ERROR occurs.</p> <p><input type="checkbox"/> It will nothing when ERROR occurs in other mode except USB Mode. (Display ERROR only in USB Mode)</p> <p>■ <u>Bus Error</u></p> <ul style="list-style-type: none"> <input type="checkbox"/> It occurs when more than 1.5A overcurrent caused by USB 5V Bass shorts. <input type="checkbox"/> It displays [CHECK DEVICE]. <input type="checkbox"/> It will return by turning ACC OFF/ON. <input type="checkbox"/> It will stop power supply automatically but display nothing when the current is between 1 to 1.5A. It will return automatically if the cause of the overcurrent removed. <p>■ <u>Unsupported Device ERROR</u></p> <ul style="list-style-type: none"> <input type="checkbox"/> It occurs when it is connected to a device which is not supported, such as USB mouse. <input type="checkbox"/> It also occurs when iPod is frozen or cannot communication rightly. <input type="checkbox"/> It occurs if it is connected to an iPod which is not Object iPod. (such as iPod 4G) <input type="checkbox"/> It displays [CHECK DEVICE]. (Refer to Display Specification for Detail) <input type="checkbox"/> It will return when disconnect them. <p>■ <u>Playing ERROR</u></p> <ul style="list-style-type: none"> <input type="checkbox"/> It occurs when USB communication disconnected by surge or decoding failure happens when playing. <input type="checkbox"/> It occurs when timeout happens for iPod responses extremely late. <input type="checkbox"/> It occurs when error is notified by iPod. <input type="checkbox"/> It displays [CHECK DEVICE]. <input type="checkbox"/> It will return when disconnect them. <input type="checkbox"/> It may return automatically after displaying error because it will retry if you do nothing. <p>■ <u>iPod Recognition ERROR</u></p> <ul style="list-style-type: none"> <input type="checkbox"/> It will display the ERROR when error occurs when it is certifying the connecting iPod. It mainly happens with imitation iPod, Unstable iPod and so on. <input type="checkbox"/> It displays [CHECK DEVICE]. <p>■ <u>HUB ERROR</u></p> <ul style="list-style-type: none"> <input type="checkbox"/> It occurs when it is connected to USB-HUB. Sometimes it also occur if there are both Mass Storage Class and HUB Class. <input type="checkbox"/> It displays [CHECK DEVICE]. <input type="checkbox"/> It will return when disconnect them.

Detail

■ Digital Rights Management (DRM)

- It will not come out sound if the DRM of WMA of the playing file is ON.
- It will take 3sec to detect DRM, and keep the state for 5sec then goes to the next file. (It will display P-TIME as “—:—“ and blink)
- The file which it would go to when finishes playing current filae normally, or the next file decided by trick play will be the next file.
- It will go to the next file in TRACK RPT Mode.
- It is not available to pause when playing DRM file.
- It is not effective to operate trick play when playing DRM file.
- It will display nothing when DRM occurs.
- TrickPlay Mode will be kept.

■ Unsupported Files

- It will not come out sound if it plays a file which is not supported.
- It will keep the state for 5sec then goes to the next file. (It will display P-TIME as “—:—“ and blink)
- The file which it would go to when finishes playing current filae normally, or the next file decided by trick play will be the next file.
- It will go to the next file in TRACK RPT Mode.
- It is not available to pause when playing unsupported files.
- It is not effective to operate trick play when playing unsupported files.
- It will display nothing when ERROR occurs.
- TrickPlay Mode will be kept.

5-9. Operation of Bluetooth Audio

- It is unable to control completely by the set. Each state of operation depends on specification of connecting device.

5-9-1. Play / Pause

- It is the same specification to CD (DISC MP3/WMA/AAC / AAC When playing). (No operation for DISC rotation or stop.)
- It is unable to control completely by the set. Each state of operation depends on specification of connecting device.

5-9-2. TRACK UP / DOWN

- It is the same specification to CD (DISC MP3/WMA/AAC / AAC When playing)
- However, it does not support continued operation of TRACK UP/DOWN.
- It is unable to control completely by the set. Each state of operation depends on specification of connecting device.
- The action that tracks down when it is the first track depends on specification of connecting device.
- The action that tracks up when it is the last track depends on specification of connecting device.

5-9-3. FOLDER UP / DOWN

- It is the same specification to CD (DISC MP3/WMA/AAC / AAC When playing)
- It is unable to control completely by the set. Each state of operation depends on specification of connecting device.
- The structure of FOLDER depends on connecting Mobile Phone.
- However, it does not support continued operation of FOLDER UP/DOWN.
- The action that folder down when it is the first track depends on specification of connecting device.
- The action that folder up when it is the last track depends on specification of connecting device.

5-9-4. RPT

Function	<input type="checkbox"/> RPT Mode of Bluetooth Audio
Operation of button	<input type="checkbox"/> Touch the <input type="checkbox"/> RPT / RDM key for less than 0.5sec
Detail	<p><input type="checkbox"/> It will switch to next RPT Mode like following if you touch the <input type="checkbox"/> RPT / RDM key for less than 0.5sec.</p> <div style="text-align: center; margin: 10px 0;"> <pre> graph LR A[REPEAT OFF] --> B[ALL REPEAT] B --> C[FOLDER REPEAT] C --> D[TRACK REPEAT] D --> E[REPEAT OFF] </pre> </div> <p><input type="checkbox"/> It is unable to control completely by the set. Each state of operation depends on specification of connecting device.</p> <p><input type="checkbox"/> Initial state depends on the connecting device.</p> <p><input type="checkbox"/> It will display the RPTMode for 3sec when you switch to RPT Mode, then it display P-TIME. It will return to the last display.</p> <p><input type="checkbox"/> RPT indicator is ON in RPT Mode.</p> <p><input type="checkbox"/> It depends on the connecting device to keep RPT Mode or not when you turn ACC/POWER OFF or switch to othersource mode.</p> <p><input type="checkbox"/> The state after operation depends on the specification connecting device.</p> <p><input type="checkbox"/> Releasing RPT Mode depends on the connecting device.</p>

5-9-5. RDM

Function	<input type="checkbox"/> RDM Mode of Bluetooth Audio
Operation of button	<input type="checkbox"/> Touch the <input type="checkbox"/> RPT / RDM key for more than 0.5sec.
Detail	<p><input type="checkbox"/> It will switch to next mode like following if touch the <input type="checkbox"/> RPT / RDM key for more than 0.5sec.</p> <div style="text-align: center; margin: 10px 0;"> <pre> graph LR A["RANDOM OFF"] --> B["ALL RANDOM"] B --> C["FOLDER RANDOM"] C --> D["RANDOM OFF"] </pre> </div> <p><input type="checkbox"/> It is unable to control completely by the set. Each state of operation depends on specification of connecting device.</p> <p><input type="checkbox"/> Initial state depends on the connecting device.</p> <p><input type="checkbox"/> BEEP sounds when switch to RDM Mode.</p> <p><input type="checkbox"/> It will display the RPTMode for 3sec when you switch to RPT Mode, then it returns to the last display.</p> <p><input type="checkbox"/> It will keep displaying P-TIME until it gets title.</p> <p><input type="checkbox"/> RDM indicator is ON in RDM Mode.</p> <p><input type="checkbox"/> It depends on the connecting device to keep RDM Mode or not when you turn ACC/POWER OFF or switch to othersource mode.</p> <p><input type="checkbox"/> The state after operation depends on the specification connecting device.</p> <p><input type="checkbox"/> Releasing RDM Mode depends on the connecting device.</p>

5-9-6. RPT/RDM Playlist of Track Transition

- The Specification of playlist of track transition of ALL REPEAT, TRACK REPEAT, FOLDER REPEAT, ALL RANDOM, FOLDER RANDUM is the same to 6-9-11.RPT/RDM. However, the state after operation depends on the specification connecting device.

5-9-7. Switch to TITLE

Function	<input type="checkbox"/> Switch to Title of Bluetooth Audio									
Operation of button	<input type="checkbox"/> Touch the <input type="text" value="TEXT"/> key for less than 0.5sec									
Detail	<p><input type="checkbox"/> It will switch to display title if you touch the <input type="text" value="TEXT"/> key for less than 0.5sec in Bluetooth Audio.</p> <p><input type="checkbox"/> Initial setting is displaying P-TIME. (Depends on the connecting device)</p> <p><input type="checkbox"/> It displays that notified from Mobile Phone.</p> <p><input type="checkbox"/> The state after operation depends on the specification connecting device.</p> <p><input type="checkbox"/> It will display the last display mode when connect next time, even you turn ACC(POWER) OFF/ON, or disconnect the device.</p> <p><input type="checkbox"/> It will display the Title name for 3sec when you switch to Title Mode, then display the title.</p> <p><input type="checkbox"/> It will display "NO TITLE" if there is no title.</p> <p><input type="checkbox"/> The <input type="text" value="TEXT"/> key is effective in each track play mode.</p> <p><input type="checkbox"/> The <input type="text" value="TEXT"/> key is not effective in VOLUME / AUDIO / MENU Mode.</p> <p><input type="checkbox"/> It depends on the connecting device to keep the last display mode or not.</p> <p><input type="checkbox"/> It will switch to next title display mode like following in playing Bluetooth Audio, no matter wether there is tag or not.</p> <p><input type="checkbox"/> The Title Area will be blank if the connecting Mobile Phone has AVRCP Ver1.0.</p> <div style="text-align: center; margin: 10px 0;"> <table border="1" style="margin: auto;"> <tr> <td style="padding: 5px;">P-TIME</td> <td style="padding: 0 10px;">→</td> <td style="padding: 5px;">ARTIST TITLE</td> <td style="padding: 0 10px;">→</td> <td style="padding: 5px;">ALBUM TITLE</td> <td style="padding: 0 10px;">→</td> <td style="padding: 5px;">TRACK TITLE</td> <td style="padding: 0 10px;">→</td> <td style="padding: 5px;">P-TIME</td> </tr> </table> </div> <p><input type="checkbox"/> It will display TRACK ARTIST as ARTIST TITLE. It will display NO TITLE when there is no TRACK ARTIST.</p>	P-TIME	→	ARTIST TITLE	→	ALBUM TITLE	→	TRACK TITLE	→	P-TIME
P-TIME	→	ARTIST TITLE	→	ALBUM TITLE	→	TRACK TITLE	→	P-TIME		

5-9-8. Send PAGE

- It is the same specification with (CD/USB).

5-10. Operation of Bluetooth HFP

5-10-1. VOICE COMMAND

Function	<input type="checkbox"/> It is the function to call Menu, Phonebooks or set the setting by Voice Command.
Operation of button	<input type="checkbox"/> Touch the <input type="checkbox"/> TALK key and say effective Voice Commands.
Detail	<input type="checkbox"/> It is able to call menu or make a call by VOICE COMMAND. <input type="checkbox"/> Touch the <input type="checkbox"/> TALK key and say the Voice Command when it becomes effective. <input type="checkbox"/> It will display “LISTENING” when you say a Voice Command. (It will end the Mode in 5sec after it cannot recognize theCommand.) <input type="checkbox"/> It is available to registrate VOICE TAG for Mobile Phone or Phonebooks to call these functions out by Voice Command. <input type="checkbox"/> [REPEAT] and [CANCEL] are always effective when the <input type="checkbox"/> TALK key is effective. <ul style="list-style-type: none"> <input type="checkbox"/> If you say “REPEAT” it will repeat the guidance output just before you touch the <input type="checkbox"/> TALK key. <input type="checkbox"/> If you say “CANCEL” it will go to to the last source from BT MENU. <input type="checkbox"/> Some of HELP Commands are effective. If you say “HELP” it will guide to the effective Voice Command.

5-10-2. VOICE COMMAND List

No.	ENGLISH	Canadian French
1	0(zero,oh)	0(zéro)
2	1(one)	1(un)
3	2(two)	2(deux)
4	3(three)	3(trois)
5	4(four)	4(quatre)
6	5(five)	5(cinq)
7	6(six)	6(six)
8	7(seven)	7(sept)
9	8(eight)	8(huit)
10	9(nine)	9(neuf)
11	*(star)	*(étoile)
12	#(pound)	#(carré, dièse)
13	+(plus)	'+(plus)
15	callback	rappel
16	redial	recomposer
17	dial by number	composer par numéro
18	dial by name	composer par nom
19	phonebook	registre
20	setup	réglages
21	phone book add entry	ajouter l'entrée dans le registre
22	phone book change name	modifier le nom dans le registre
23	phone book delete entry	supprimer l'entrée du registre
24	phone book list names	lister les noms du registre
25	phone book set speed dial	configurer composition abrégée pour le registre
26	phonebook delete speed dial	supprimer composition abrégée pour le registre
27	phone book unlock	déverrouiller le registre
28	cancel	annuler
29	help	aide
30	repeat	répéter
31	go back	retourner
32	mute	sourdine
34	dial	composer
35	previous	précédent
36	delete	supprimer
37	store	enregistrer
38	confirm	confirmer
39	phone setup	réglages du téléphone
40	security	sécurité
41	pair phone	jumeler le téléphone
42	change name	modifier le nom
43	select phone	sélectionner le téléphone
44	list phones	lister les téléphones
45	set pass key	configurer le passe-partout
47	add entry	ajouter l'entrée
48	delete entry	supprimer l'entrée
49	delete speed dial	supprimer composition abrégée

User Manual.doc

50	by voice	vocalement
52	by phone	par téléphone
54	call history	historique d'appels
56	set speed dial	configurer composition abrégée
58	incoming	entrant
59	outgoing	sortant
60	list names	lister les noms
61	set PIN	configurer NIP
62	phone book lock	verrouiller le registre

5-10-3. BT TOP MENU

(1/2)

Function	<input type="checkbox"/> Call, Registrare and Set BT TOP MENU.
Operation of button	<p><input type="checkbox"/> Call BT TOP MENU in other mode except BT Mode by touching following keys.</p> <p><input type="checkbox"/> KEY OPERATION : Call BT TOP MENU by touching the OFF HOOK key, Select each item by turning the TUNE key and decide by touching it.</p> <p><input type="checkbox"/> VOICE COMMAND : Say the voice commands to call each item in BT TOP MENU directly after touch the TALK key.</p> <p>※ <u>Following Items are effective.</u></p> <p>PHONEBOOK : The menu to operate about phonebook REDIAL : The menu to redial or delete the outgoing call history CALLBACK : The menu to redial or delete the incoming call history SET UP : The menu to set each setting of Bluetooth TEL Mode</p> <p><input type="checkbox"/> The following VOICE COMMANDS are effective in BT TOP MENU.</p> <p><input type="checkbox"/> Phonebook : Go to PHONEBOOK <input type="checkbox"/> Redial : Go to Redial <input type="checkbox"/> Callback : Go to Callback <input type="checkbox"/> Setup : Go to Set up <input type="checkbox"/> Dial + Voice tag : Call Voice Tag recognized <input type="checkbox"/> Dial by name : Go to Dial By Name <input type="checkbox"/> Dial by number : Go to Dial By Number <input type="checkbox"/> Phonebook Add Entry : Go to Add Entry <input type="checkbox"/> Phonebook List Names : Go to List Names <input type="checkbox"/> Phonebook Change name : Go to Change Name <input type="checkbox"/> Phonebook Set Speed Dial : Go to Set Speed Dial <input type="checkbox"/> Phonebook Delete Entry : Go to Delete Entry <input type="checkbox"/> Phonebook Delete Speed Dial : Go to Selete Speed Dial <input type="checkbox"/> HELP : Call HELPCommand</p>
	<p><input type="checkbox"/> The following VOICE COMMANDS are effective futher in the following items in BT TOP MENU.</p> <p><input type="checkbox"/> When Item PHONEBOOK is selected.</p> <p><input type="checkbox"/> Add Entry : Go to Add Entry <input type="checkbox"/> List Names : Go to List Names <input type="checkbox"/> Change Name : Go to Change Name <input type="checkbox"/> Set Speed Dial : Go to Set Speed Dial <input type="checkbox"/> Delete Entry : Go to Delete Entry <input type="checkbox"/> Delete Speed Dial : Go to Delete Speed Dial <input type="checkbox"/> Go Back : Go back to BT TOP MENU <input type="checkbox"/> HELP : Call HELPCommand</p>

User Manual.doc

When Item REDIAL is selected.

- Dial : Call the number selected
- Store : Registrare the number to phonebook and go to the menu
- Delete : Delete the selected number from history and go to the menu
- Previous : Go back to display the previous newest number
- Go Back : Go back to display the second newest number
- HELP : Call HELP Command

When Item CALL BACK is selected.

- Dial : Call the number selected
- Store : Registrare the number to phonebook and go to the menu
- Delete : Delete the selected number from history and go to the menu
- Previous : Go back to display the previous newest number
- Go Back : Go back to display the second newest number
- HELP : Call HELP Command

When Item SET UP is selected.

- Security : Go to Security
- Phone Set Up : Go to Phone Set Up
- Go Back : Go to BT TOP MENU
- HELP : Call HELP Command

- It will announce the Guidance if you operate the hard keys about Bluetooth HFP when driving.
- If you drive when registering the commands of BY PHONE, MANUAL INPUT, SET SPEED DIAL, DELETE SPEED DIAL, PAIR PHONE and SPEED DIAL, it will cancel the function and return to TOP MENU.

BT TOP MENU

PHONEBOOK : The menu to operate about phonebook

ADD ENTRY : The function to registrate numbers to phonebook

BY VOICE : registrate by VOICE COMMAND

BY PHONE : registrate by Mobile phone

MANUAL INPUT : registrate by inputing numbers

CALL HISTRY : registrate from incoming history

LIST NAMES : The function to Read the Voice Tag in phonebook,
It is possible for outgoing a call

CHANGE NAMES : The function to change registrated VOICE TAGS.

SET SPEED DIAL : The function to set an entry as speed dial.

DELETE ENTRY : The function to delete an entry from phonebook..

DEL SPEED DIAL : The function to delete SPEED DIAL registration.

REDIAL : The menu to redial or delete the outgoing call history

DIAL : The function to make a call by selecting a number from outgoing history.

STORE : The function to registrate by selecting a number from outgoing history.

DELETE : The function to delete a recorde from outgoing history.

CALL BACK : The menu to redial or delete the incoming call history

DIAL : The function to make a call by selecting a number from incoming history.

STORE : The function to registrate by selecting a number from incoming history.

DELETE : The function to delete a recorde from incoming history.

SET UP : The menu to set each setting of Bluetooth TEL Mode

SECURITY : Setting of PIN CODE and phonebook LOCK ON/OFF

SET PIN : SET/RESET PIN

PHBK LOCK : PHBK LOCK ON (cannot operate)

PHBK UNLOCK : PHBK LOCK OFF

PHONE SETUP : Setting of Registrare a Mobile Phone

PAIR PHONE : The function to pair with a mobile phone.

SELECT PHONE : The function to connect to any phone on the registration list.

CHANGE NAME : The function to reset VOICE TAG of registrated phones.

LIST PHONES : The function to read the VOICE TAG.

SET PASSKEY : Reset PASS KEY.

DELETE : The function to delete a phone from registration list.

SYSTEM SETUP : Setting or Initialization of Guidance Volume

GUIDANCE VOL : The function to set Guidance Volume

INITIALIZE : The function to initialize.

SEL LANGUAGE : The function to set Languages

Detail

5-10-4. INITIAL START (PAIRING)

Function	<input type="checkbox"/> It will begin Initial Pairing if you go to BT TOP MENU when there is no registration on the list. <input type="checkbox"/> It is the same operation to pairing normally. <input type="checkbox"/> It will display "NOT AVAIL" and released from BT Mode if it begin driving.
Operation of button	<input type="checkbox"/> Select the Languages <input type="checkbox"/> Key Operation : Select English or French by turning the TUNE and decide by touching the TUNE key. <input type="checkbox"/> Display "WELCOME!" <input type="checkbox"/> Key Operation : Touch the TUNE or TALK key to skip to registration. <input type="checkbox"/> Registration 1. Register the VOICE TAG for a phone to register. <input type="checkbox"/> Key Operation : It will display next like following :PAIR PHONE → RECORD NAME → GO BACK Select the RECORD NAME and decide. Touch the TALK key to start Voice Recognition. 2. Read VOICE TAG and register. <input type="checkbox"/> Key Operation : TURN the TUNE key and select "CONFIRM" and touch. <input type="checkbox"/> Voice Recognition : Touch the TALK key and say the Voice Tag(Voice Tag: CONFIRM) 3. Search from mobile phone and input the PASS KEY. <input type="checkbox"/> It will display "CAR M MEDIA" when VOICE TAG registered → Input PASS KEY by Mobile Phone when it displays. ※ Initial PASSKEY is 1234.
Detail	<input type="checkbox"/> It will be released from BT Mode by touching the ON HOOK key. (Go to the last source mode) <input type="checkbox"/> Voice Cancel Command is effective in all states. It will be released from BT Mod. (Go to the last source mode)

5-10-5. DIAL

Function	<p><input type="checkbox"/> The function to Dial.</p> <p><input type="checkbox"/> There are 8 ways to dial basically.</p> <ul style="list-style-type: none"> <input type="checkbox"/> DIAL BY NAME : Outgoing a call by Saying Voice Tag in Voice Recognition Mode. <input type="checkbox"/> DIAL BY NUMBER : Outgoing a call by Saying Numbers in Voice Recognition Mode. <input type="checkbox"/> SPEED DIAL : Outgoing a call by Touching the Pch KEY which is registrated for SPEED DIAL <input type="checkbox"/> REDIAL : Redial from outgoing history. <input type="checkbox"/> CALL BACK : Call back fron incoming history. <input type="checkbox"/> LIST NAMES : Outgoing a call from phonebook. <input type="checkbox"/> TOP REDIAL : Outgoing a call from outgoing historyby touching the <input type="checkbox"/> OFF HOOK key from TOP MENU. <input type="checkbox"/> DIAL FROM MOBILE : Outgoing a call from Mobile Phone. <p><input type="checkbox"/> It will stop outgoing a call by touching the <input type="checkbox"/> ON HOOK key when it starts to call.</p>
Operation of button	<p><input type="checkbox"/> DIAL BY NAME</p> <ol style="list-style-type: none"> 1. Touch the <input type="checkbox"/> TALK key to call VOICE RECOGNIZATION Mode in BT TOP MENU or in other mode except BT Mode and say "DIAL BY NAME" to go to DIAL BY NAME Mode. 2. Touch the <input type="checkbox"/> TALK key to call VOICE RECOGNIZATION Mode and say VOICE TAG to call the memory. It will display the <u>regestration name or number</u> when you call the memory. 3. Outgoing a call. <ul style="list-style-type: none"> <input type="checkbox"/> Key Operation : Turn the <input type="checkbox"/> TUNE key and select DIAL and touch the <input type="checkbox"/> TUNE or <input type="checkbox"/> OFF HOOK key when displaying number. <input type="checkbox"/> VOICE COMMAND : Touch the <input type="checkbox"/> TALK key and say "DIAL" when displaying number. <p><input type="checkbox"/> DIAL BY NUMBER</p> <ol style="list-style-type: none"> 1. It will go to VOICE RECOGNIZATION Mode by touching the <input type="checkbox"/> TALK key in BT TOP MENU or in other mode except BT Mode. 2. It will go to DIAL BY NUMBER Mode by saying "DIAL BY NUMBER". 3. It will go to VOICE RECOGNIZATION Mode by touching the <input type="checkbox"/> TALK key and say the numbers. 4. Outgoing a call.(The same operation to DIAL BY NAME) <p><input type="checkbox"/> SPEED DIAL</p> <ol style="list-style-type: none"> 1. It will call the numbers when you touch the <input type="checkbox"/> 1 ~ <input type="checkbox"/> 6 key in BT TOP MENU. 2. Outgoing a call by touching the <input type="checkbox"/> OFF HOOK key.

REDIAL

1. Call REDIAL Mode.

Key Operation : Turn the **TUNE** key and select REDIAL and touch in BT TOP MENU.

VOICE COMMAND: Touch the **TALK** key and say “**REDIAL**” in BT TOP MENU or other mode except BT Mode.

2. Turn the **TUNE** key in outgoing history and select the number.

3. Outgoing a call.(The same operation to DIAL BY NAME)

(It is possible to call the displaying number by touching the **OFF HOOK** keywhen displaying outgoing history.)

CALL BACK

1. Call CALL BACK Mode.

Key Operation : Turn the **TUNE** key and select CALL BACK and touch in BT TOP MENU.

VOICE COMMAND : Touch the **TALK** key and say “**CALL BACK**” in BT TOP MENU or other mode except BT Mode.

2. Turn the **TUNE** key in incoming history and select the number.

3. Outgoing a call.(The same operation to DIAL BY NAME)

(It is possible to call the displaying number by touching the **OFF HOOK** keywhen displaying incoming history.)

Call from LIST NAMES

1. Call LIST NAMES.

Key Operation : Turn the **TUNE** key to select LIST NAMES in PHONE BOOK and touch.

VOICE COMMAND : Touch the **TALK** key and say “**LIST NAMES**” in PHONEBOOK.

Turn the **TUNE** key to select a number/name and touch (It display “SELECTED”)

3. Outgoing a call.(The same operation to DIAL BY NAME)

(It is possible to call the displaying number by touching the **OFF HOOK** keywhen displaying phonbook.)

Call TOP REDIAL

1. It will call the most recently number in outgoing history by touch the **OFF HOOK** key in BT TOP MENU.

2. Trun the **TUNE** key and select DIAL and touch to outgoing a call.

(In Item 2, it is alsopossible to outgoing a call by touching the **OFF HOOK** key .)

5-10-6. Incoming Call

Function	<input type="checkbox"/> The function of taking a call.
Operation of button	<input type="checkbox"/> The following operation is effective when a call incoming. <ul style="list-style-type: none"> <li data-bbox="309 360 1321 398"> <input type="checkbox"/> Answer the call : Answer the call by touching the <input type="checkbox"/> OFF HOOK key <li data-bbox="309 434 1321 472"> <input type="checkbox"/> Response Pending : Short touching the <input type="checkbox"/> ON HOOK key for Response Pending <li data-bbox="309 508 1321 546"> <input type="checkbox"/> Refuse the call : Long touching the <input type="checkbox"/> ON HOOK key for refusing the call <li data-bbox="309 582 1072 620"> <input type="checkbox"/> Adjust the incoming volume : Touch the <input type="checkbox"/> VOL+ or <input type="checkbox"/> VOL- key
Detail	<ul style="list-style-type: none"> <li data-bbox="252 676 1327 714"><input type="checkbox"/> It is able to adjust the incoming volume when incoming a call. (Value Range:0~14 Initial Value : 7) <li data-bbox="252 714 1407 752"><input type="checkbox"/> Incoming volume will return to the initial value when next call incomes, even it is adjusted when a call incoming. <li data-bbox="252 752 807 790"><input type="checkbox"/> It will go to the last mode when incoming calls end. <li data-bbox="252 790 651 828"><input type="checkbox"/> No Voice Commands are effective.

5-10-7. CALL

Function	<input type="checkbox"/> The Function to Call By Connecting HFP.
Operation of button	<input type="checkbox"/> The following operation is effective when calling. <ul style="list-style-type: none"> <input type="checkbox"/> Switch HF Mode to PRIVATE Mode : Touch the <input type="checkbox"/> OFF HOOK key. (It also possible for the opposite action.) <input type="checkbox"/> Switch Micphone to MUTE : Touch the <input type="checkbox"/> TALK key. (It also possible for the opposite action.) <input type="checkbox"/> End the Call : Touch the <input type="checkbox"/> ON HOOK key.
Detail	<ul style="list-style-type: none"> <input type="checkbox"/> It will go to the last source mode when a call ends. <input type="checkbox"/> Where it will go depends on the way you dial. The last source mode. <input type="checkbox"/> It is able to adjust the incoming volume when incoming a call. (Value Range:0~14 Initial Value : 7) <input type="checkbox"/> It will release BT Mode and go to the last source mode when you switch to Private Mode. <input type="checkbox"/> Call volume will return to the initial value in next call, even it is adjusted when calling. <input type="checkbox"/> No Voice Commands are effective. <input type="checkbox"/> It is able to adjust Sending Volume Level. If you touch the <input type="checkbox"/> UP key, Sending Volume Level will be UP. If you touch the <input type="checkbox"/> DOWN key, Sending Volume Level will be DOWN. (VALUE RANGE:1~5 INITIAL VALUE: 3)

5-10-8. Registration Phone Book

Function	<p><input type="checkbox"/> The function to registrate phone numbers, names and some information else to phonebook. Threr are 6 ways like following.</p> <ul style="list-style-type: none"> <input type="checkbox"/> BY VOICE : Registrte phonebook by saying numbers in VOICE COMMAND Mode. <input type="checkbox"/> BY PHONE : Registrte phonebook the numbers transferred from phonebook of mobile phone. <input type="checkbox"/> MANUAL INPUT : Registrte phonebook by inputing numbers by key or in VOICE COMMAND Mode. <input type="checkbox"/> CALL HISTORY : Registrte phonebook from incoming/outgoing history. <input type="checkbox"/> STORE (REDIAL) : Registrte phonebook in REDIAL Item. <input type="checkbox"/> STORE (CALL BACK) : Registrte phonebook in CALL BACK Item. <input type="checkbox"/> SPEED DIAL : It is available to registrate SPEED DIAL if VOICE TAG has been registrated.
Operation of button	<p><input type="checkbox"/> BY VOICE</p> <ol style="list-style-type: none"> 1. Call BY VOICE MODE in ADD ENTRY Menu. <ul style="list-style-type: none"> <input type="checkbox"/> Key Operation : Turn the TUNE key select BY VOICE and touch. <input type="checkbox"/> VOICE COMMAND : Touch the TALK key and say “BY VOICE” 2. Say the number you want to registrate. <ul style="list-style-type: none"> <input type="checkbox"/> VOICE COMMAND : Touch the TALK key and say the number. 3. Do the following operation to confirm after saying numbers. <ul style="list-style-type: none"> <input type="checkbox"/> Key Operation : Turn the TUNE key select CONFIRM and touch. <input type="checkbox"/> VOICE COMMAND : Touch the TALK key and say “CONFIRM”. 4. Registrte VOICE TAG <ul style="list-style-type: none"> <input type="checkbox"/> Key Operation : Turn the TUNE key to select RECORD NAME and touch or touch the TALK key. 5. Confirm VOICE TAG. It will display <u>STORED</u> and go to SPEED DIAL after registrated. <ul style="list-style-type: none"> <input type="checkbox"/> Key Operation : Turn the TUNE key to select CONFIRM and touch. <input type="checkbox"/> VOICE COMMAND : Touch the TALK key and say “CONFIRM” <p><input type="checkbox"/> BY PHONE (It will release BT Mode and display NOT AVAIL when you start driving.)</p> <ol style="list-style-type: none"> 1. Call BY PHONE MODE in ADD ENTRY Menu. <ul style="list-style-type: none"> <input type="checkbox"/> Key Operation : Turn the TUNE key select BY PHONE and touch. <input type="checkbox"/> VOICE COMMAND: Touch the TALK key and say “BY PHONE”. 2. Corfirm BY PHONE. <ul style="list-style-type: none"> <input type="checkbox"/> Key Operation : Turn the TUNE key select CONFIRM and touch. <input type="checkbox"/> VOICE COMMAND: Touch the TALK key and say “CONFIRM”. 3. Transfer numbers from mobile phone and confirm loke following. <ul style="list-style-type: none"> <input type="checkbox"/> Key Operation : Turn TUNE key to select CONFIRM and touch. <input type="checkbox"/> VOICE COMMAND : Touch the TALK key and say “CONFIRM”. <p>※ The Rest is the same to 「No.3 VOICE TAG REGISTRATION」.</p>

MANUAL INPUT (It will release BT Mode and display NOT AVAIL when you start driving.)

1. Select MANUAL INPUT in ADD ENTRY Menu.

Key Operation : Turn the **TUNE** key to select MANUAL INPUT and touch.

2. Input the Numbers (MAX: 24digits)

※ The Rest is the same to 「No.3 VOICE TAG REGISTRATION」.

CALL HISTORY

1. CALL HISTORY in ADD ENTRY Menu.

Key Operation : Turn the **TUNE** key to select CALL HISTORY and touch.

VOICE COMMAND : Touch the **TALK** key and say “**CALL HISTORY**”.

2. Turn the **TUNE** key to select OUTGOING/INCOMING and touch.

Key Operation : Turn the **TUNE** key to select OUTGOING/INCOMING and touch

VOICE COMMAND : Touch the **TALK** key and say “**INCOMING**”/”**OUTGOING**”

3. Select the numbers from the history.

Key Operation : Turn the **TUNE** key to select number and touch.

※ The Rest is the same to 「No.3 VOICE TAG REGISTRATION」

REDIAL

1. Call REDIAL in BT TOP MENU.

Key Operation : Turn the **TUNE** key to select REDIAL and touch.

VOICE COMMAND : Touch the **TALK** key and saying “**REDIAL**”.

2. Select the number / name.

Key Operation : Turn the **TUNE** key to select the number/name and touch to decide.

3. Register

Key Operation : Turn the **TUNE** key to select STORE and touch.

VOICE COMMAND : Touch the **TALK** key and saying “**STORE**”.

※ The rest is the same to 「No.2 Confirm the Number」.

CALL BACK

1. Call CALL BACK in BT TOP MENU

Key Operation : Turn the **TUNE** key to select CALL BACK and touch.

VOICE COMMAND : Touch the **TALK** key and saying “**CALL BACK**”.

※ The rest is the same to 「No.2 Confirm the Number」.

User Manual.doc

	<p><input type="checkbox"/> SPEED DIAL (It will release BT Mode and display NOT AVAIL when you start driving.)</p> <ol style="list-style-type: none">It will go to registrate SPEED DIAL after VOICE TAG registered.<ul style="list-style-type: none"><input type="checkbox"/> Key Operation : Turn the TUNE key to select SPEED DIAL and touch.<input type="checkbox"/> VOICE COMMAND : Touch the TALK key and saying "SET SPEED DIAL".Touch any key from 1 ~ 6 which you you want to registrate.<ul style="list-style-type: none">※ It will display "<u>OVERWRITE?</u>" if the key you touch has been registrated.
Detail	<p><input type="checkbox"/> VOICE TAG and SPEED DIAL Registration can be omitted.</p>

5-10-9. ☐PHONEBOOK (Others)

Function	<p><input type="checkbox"/> There are some other items like following in phonebook.</p> <ul style="list-style-type: none"> <input type="checkbox"/> LIST NAMES : The function to read VOICE TAG. It is able to call. <input type="checkbox"/> CHANGE NAMES : The function to change VOICE TAG which has been registered. <input type="checkbox"/> SET SPEED DIAL : The function to registrate SPEED DIAL. <input type="checkbox"/> DELETE ENTRY : The function to delete memory from phonebook. <input type="checkbox"/> DEL SPEED DIAL : The function to delete SPEED DIAL.
Operation of button	<p><input type="checkbox"/> LIST NAMES</p> <ol style="list-style-type: none"> 1. Call LIST NAMES in PHONEBOOK. <ul style="list-style-type: none"> <input type="checkbox"/> Key Operation : Turn the TUNE key to select LIST NAMES and touch. <input type="checkbox"/> VOICE COMMAND : Touch the TALK key and say "LIST NAME") 2. The following operations are effective in LIST NAMES. <ul style="list-style-type: none"> <input type="checkbox"/> Touch the OFFHOOK key : Outgoing a call of the number selected. <input type="checkbox"/> Touch the TALK key : Select the number which selected when you rouched.(Refer to 3) <input type="checkbox"/> Turn the TUNE key : Go to next memory (From No.N To No.N+1) <input type="checkbox"/> Touch the TUNE key : Select the number which selected when you rouched.(Refer to 3) <input type="checkbox"/> Touch the ON HOOK key : Go to the last Source Mode. <input type="checkbox"/> No Operation : Display the memory and read VOICE TAG, then go to next memory. 3. If you select a number/name and touch, it will display "SELECTED". The following items are able to select. And VOICE COMMAND is also effective. <ul style="list-style-type: none"> <input type="checkbox"/> Key Operation : Turn the TUNE key to select following items and touch. <ul style="list-style-type: none"> ➤ DIAL : Dial the number ➤ CHANGE NAME : Change VIOCE TAG ➤ SET SPEED DIAL : Registrate SPEED DIAL ➤ DELETE ENTRY : Delete entry from phonebook. ➤ GO BACK : Return to LIST NAMES <input type="checkbox"/> VOICE COMMAND : Touch the TALK key and say <ul style="list-style-type: none"> After the TALK key has been touched <ul style="list-style-type: none"> ➤ SAY: DIAL : Dial the number ➤ SAY: CHANGE NAME : Change VIOCE TAG ➤ SAY: SET SPEED DIAL : Registrate SPEED DIAL ➤ SAY: DELETE ENTRY : Delete entry from phonebook. ➤ SAY: GO BACK : Return to LIST NAMES

CHANGE NAME

1. Call CHANGE NAME in PHONEBOOK.

Key Operation : Turn the **TUNE** key to select CHANGE NAME and touch.

VOICE COMMAND : Touch the **TALK** key and say “**CHANGE NAME**”.

2. Call and change the number/name and Confirm

Key Operation : Turn the **TUNE** key to select the number and touch.

VOICE COMMAND : Touch the **TALK** key and say “**VOICE TAG**”.

3. Confirm the number. (Only for Call VOICE Recognition in Item2.)

Confirm after displayed the number has been recognized.

Key Operation : Turn the **TUNE** key to select CONFIRM and touch.

VOICE COMMAND : Touch the **TALK** key and say “**CONFIRM**”.

4. After displayed the number has been recognized, Touch the **TALK** key or select RECORD NAME to say and registrate a new VOICE TAG.

5. Confirm the VOICE TAG. It will display “**CHANGED**”, finishes registration or Updation,then go to Phonebook.

Key Operation : Turn the **TUNE** key to select CONFIRM and touch.

VOICE COMMAND : Touch the **TALK** key and say “**CONFIRM**”.

SET SPEED DIAL (It will release BT Mode and display NOT AVAIL when you start driving.)

1. Call SET SPEED DIAL in PHONEBOOK.

Key Operation : Turn the **TUNE** key to select SET SPD DIAL and touch.

VOICE COMMAND : Touch the **TALK** key and say “**SET SPEED DIAL**”.

2. Call the number/name to registrate SPEED DIAL

Key Operation : Turn the **TUNE** key to select the number and touch.

VOICE COMMAND : Touch the **TALK** key and say “**VOICE TAG**”.

3. Confirm the number.(Only for Call VOICE Recognition in Item2.)

Key Operation : Turn the **TUNE** key to select CONFIRM and touch.

VOICE COMMAND : Touch the **TALK** key and say “**CONFIRM**”.

Touch any key of **1** ~ **6** to registrate SPEED DIAL.

DELETE ENTRY

1. Call DELETE ENTRY in PHONEBOOK.

Key Operation : Turn the **TUNE** key to select DELETE ENTRY and touch..

VOICE COMMAND : Touch the **TALK** key and say “*DELETE ENTRY*”.

2. Call the number to delete.

Key Operation : Turn the **TUNE** key to select the number and touch.

VOICE COMMAND : Touch the **TALK** key and say “*VOICE TAG*”.

3. Delete the number. (It will display DELETED and go to PHONE BOOK.)

Key Operation : Turn the **TUNE** key to select CONFIRM and touch.

VOICE COMMAND : Touch the **TALK** key and say “*CONFIRM*”.

DELETE SPD DIAL (It will release BT Mode and display NOT AVAIL when you start driving.)

1. Call DEL SPD DIAL.

Key Operation : Turn the **TUNE** key to select DEL SPD DIAL and touch.

VOICE COMMAND : Touch the **TALK** key and say “*DELETE SPEED DIAL*”.

2. Touch the key of **1** ~ **6** to delete.

3. Delete SPD DIAL. It will display DELETED and go to PHONE BOOK

Key Operation : Turn the **TUNE** key to select CONFIRM and touch.

VOICE COMMAND : Touch the **TALK** key and say “*CONFIRM*”.

Detail

It will go to the last source mode automatically when call ends.

The **ON HOOK** key is no effective except when calling/ taking a call.

5-10-10. BT SETUP (SECURITY)

Function	<input type="checkbox"/> There are following settings in SECURITY. <input type="checkbox"/> SET PIN : SET PIN CODE <input type="checkbox"/> PHBK LOCK : SET PHBK LOCK ON (No operation about phonebook is available) <input type="checkbox"/> PHBK UNLOCK : SET PHBK LOCK OFF
Operation of button	<input type="checkbox"/> Call SETUP in BT TOP MENU and set up. <input type="checkbox"/> Key Operation : Turn the TUNE key to select SETUP and touch. <input type="checkbox"/> VOICE COMMAND : Touch the TALK key and say " SETUP ". <input type="checkbox"/> Set PIN CODE in SECURITY 1. Call SECURITY when setting up. <input type="checkbox"/> Key Operation : Turn the TUNE key to select SECURITY and touch.. <input type="checkbox"/> VOICE COMMAND : Touch the TALK key and say " SECURITY ". 2. Call SET PIN . <input type="checkbox"/> Key Operation : Turn the TUNE key to select SET PIN and touch. <input type="checkbox"/> VOICE COMMAND : Touch the TALK key and say " SET PIN ". 3. Input the current PIN Code when it displays <u>CURRENT PIN ?</u> . <input type="checkbox"/> Key Operation : Turn the TUNE key to select Number and touch to decide. <input type="checkbox"/> VOICE COMMAND : Touch the TALK key and say " PIN CODE NUMBER ". 4. Confirm PIN CODE. <input type="checkbox"/> Key Operation : Turn the TUNE key to select CONFIRM and touch. <input type="checkbox"/> VOICE COMMAND : Touch the TALK key and say " CONFIRM ". 5. It will display <u>SET PIN</u> and go to registrate newPIN CODE. <input type="checkbox"/> Key Operation : Turn the TUNE key to select the number and touch. To decide. <input type="checkbox"/> VOICE COMMAND : Touch the TALK key and say " PIN CODE NUMBER ". 6. Confirm the new PIN CODE. (It will display <u>COMPLETED</u> and go to SECURITY MENU.) <input type="checkbox"/> Key Operation : Turn the TUNE key to select CONFIRM and touch. <input type="checkbox"/> VOICE COMMAND : Touch the TALK key and say " CONFIRM ".

User Manual.doc

- Call PHBK LOCK in SECURITY MENU.
 1. Call SECURITY MENU when setting.
 - Key Operation : Turn the **TUNE** key to select SECURITY and touch.
 - VOICE COMMAND : Touch the **TALK** key and say "**SECURITY**".
 2. Call PHBK LOCK.
 - Key Operation : Turn the **TUNE** key to select PHBK LOCK and touch.
 - VOICE COMMAND : Touch the **TALK** key and say "**PHONE BOOK LOCK**".
 3. Input the current PIN Code when it displays CURRENT PIN ?.
 - Key Operation : Turn the **TUNE** key to select Numbers and touch.
 - VOICE COMMAND : Touch the **TALK** key and say "**PIN CODE NUMBER**".
 4. Confirm PIN CODE. If PIN CODE is correctly it will display LOCKED, and lock the phonebook.
 - Key Operation : Turn the **TUNE** key to select CONFIRM and touch.
 - VOICE COMMAND : Touch the **TALK** key and say "
- Set PHBK UNLOCK in SECURITY MENU.
 1. Call PHBK UNLOCK in SECURITY like PHBK LOCK..
 - Key Operation : Turn the **TUNE** key to select PHBK UNLOCK and touch.
 - VOICE COMMAND : Touch the **TALK** key and say "**PHONEBOOK UNLOCK**".
 - ※ If it is unlocked it will display UNLOCKED and go to SECURITY MENU.
 - ※ Then input the PIN CODE and it will display UNLOCKED and unlock the phonbook just like PHBK LOCK..

Detail

- PIN CODE is the code for locking /unlocking the PHONEBOOK. It is different from the KEY for pairing. (The Key

forpairing is called PASS KEY.)

- PIN CODE is made up by a 4-digit number.
- The following operations are limited in BT MENU when it is locked.
- If you go to the menu which is limited, it will display PHBK LOCK. The following operations are effective in the case.
 - Key Operation : Turn the **TUNE** key to select PHBK UNLOCK and touch.

OHARD KEY

KEYS	EFFECT
OFF HOOK	After going to REDIAL Menu, displays <u>PHBK LOCK</u>
ON HOOK	Go to the last source mode.
TALK	Call Voice Recognition
Touch TUNE	Decide selected item
Turn TUNE	Select item
1~6	Display <u>PHBK LOCK</u>

OVOICE COMMAND

VOICE TAG	EFFECT
PHONEBOOK	Display <u>PHBK LOCK</u>
REDIAL	Display <u>PHBK LOCK</u>
CALL BACK	Display <u>PHBK LOCK</u>
SET UP	Go to SET UP MENU
VIOCE TAG 名	Display <u>PHBK LOCK</u>
DIAL BY NAME	Display <u>PHBK LOCK</u>
DIAL BY NUMBER	Go To DIAL MENU
PHONEBOOK ADD ENTRY	Display <u>PHBK LOCK</u>
PHONEBOOK LIST NAME	Display <u>PHBK LOCK</u>
PHONEBOOK CHANGE NAME	Display <u>PHBK LOCK</u>
PHONEBOOK SPEED DIAL	Display <u>PHBK LOCK</u>
PHONEBOOK DELETE SPEED DIAL	Display <u>PHBK LOCK</u>

5-10-11. BT SETUP (PHONE SETUP)

Function	<p><input type="checkbox"/> There are setting items like following in PHONE SETUP MENU.</p> <ul style="list-style-type: none"> <input type="checkbox"/> PAIR PHONE : Paring <input type="checkbox"/> SELECT PHONE : Select a mobile phone from registration list to connect to. <input type="checkbox"/> CHANGE NAME : Registrare/Change VOICE TAG of the phones on registration list. <input type="checkbox"/> LIST PHONES : Read the VOICE TAG of the phones on registration list. <input type="checkbox"/> SET PASSKEY : Set PASSKEY for pairing. <input type="checkbox"/> DELETE : Delete phones/a phone from registration list.
Operation of button	<p><input type="checkbox"/> PAIR PHONE (It will release BT Mode and display NOT AVAIL when you start driving.)</p> <ol style="list-style-type: none"> 1. Registrare VOICE TAG for the phone to registrate. <ul style="list-style-type: none"> <input type="checkbox"/> Key Operation : Turn the <input type="checkbox"/> TUNE key to select RECORD NAME and touch or touch the <input type="checkbox"/> TALK key and speak. <input type="checkbox"/> VOICE COMMAND : Touch the <input type="checkbox"/> TALK key to call VOICE Recognition Mode and say "RECORD NAME". 2. Registrare VOICE TAG after you spoke. <ul style="list-style-type: none"> <input type="checkbox"/> Key Operation : Touch the <input type="checkbox"/> TUNE key to select CONFIRM and touch. <input type="checkbox"/> VOICE COMMAND : Touch the <input type="checkbox"/> TALK key and say "CONFIRM". 3. Search from mobile phone and input the PASS KEY. <ul style="list-style-type: none"> ※ Initial PASSKEY is 1234. <p><input type="checkbox"/> SELECT PHONE</p> <ol style="list-style-type: none"> 1. Call SELECT PHONE in PHONE SETUP MENU. <ul style="list-style-type: none"> <input type="checkbox"/> Key Operation : Turn the <input type="checkbox"/> TUNE key to select SELECT PHONE and touch. <input type="checkbox"/> VOICE COMMAND : Touch the <input type="checkbox"/> TALK key and say "SELECT PHONE". <ul style="list-style-type: none"> ※ If there is no phone on registration list, it will display "EMPTY" and go to PHONE SETUP MENU. 2. Select a phone from the registration list. <ul style="list-style-type: none"> <input type="checkbox"/> Key Operation : Touch the <input type="checkbox"/> TUNE key to select a mobile phone to connect to and touch. <input type="checkbox"/> VOICE COMMAND : Touch the <input type="checkbox"/> TALK key and say "VOICE TAG". 3. Confirm the phone. (Only for the case that called Voice Recognition in Step2) <ul style="list-style-type: none"> <input type="checkbox"/> Key Operation : Touch the <input type="checkbox"/> TUNE key to select CONFIRM and touch. <input type="checkbox"/> VOICE COMMAND : Touch the <input type="checkbox"/> TALK key and say "CONFIRM". 4. Start to connect. It will go to PHONE SETUP MENU after displaying the name and "SELECTED".

CHANGE NAME

1. Call CHANGE NAME in PHONE SETUP MENU.

Key Operation : Touch the **TUNE** key to select CHANGE NAME and touch.

VOICE COMMAND : Touch the **TALK** key and say "**CHANGE NAME**".

※ If there is no phone on registration list, it will display "EMPTY" and go to PHONE SETUP MENU.

2. Select the phone to change name from the list like SELECT PHONE.

3. Register VOICE TAG again.

Key Operation : Touch the **TUNE** key to select RECORD NAME and touch or touch the **TALK** key to speak.

4. Confirm VOICE TAG. It will display "CHANGED" and go to PHONE SETUP MENU after you confirm it.

Key Operation : Touch the **TUNE** key to select CONFIRM and touch.

VOICE COMMAND : Touch the **TALK** key and say "**CONFIRM**".

LIST PHONES

1. Call LIST PHONE in PHONE SETUP MENU.

Key Operation : Touch the **TUNE** key to select LIST PHONES and touch.

VOICE COMMAND : Touch the **TALK** key and say "**LIST PHONES**".

※ If there is no phone on registration list, it will display "EMPTY" and go to PHONE SETUP MENU.

2. Display the phones from the first one and display VOICE TAG. It will go to next like following by Key Operation.

Key Operation : Touch the **TUNE** key to select the next phone and touch.

: Touch the **ON HOOK** key to go to the last source mode.

: Touch the **TALK** key to select the phone.

: It will display the phone without operation and read VOICE TAG and go to next memory.

3. It will display **SELECTED** if you select a phone. Then the following items become effective. The following items are also able to be called by VOICE COMMAND by touching the **TALK** key.

Key Operation : Touch the **TUNE** key to select following item and touch.

- SELECT PHONE** : Connect to a phone
- **CHANGE NAME** : Change VOICE TAG
- **DELETE** : Delete a phone/phones from registration list
- **GO BACK** : Return to LIST PHONES MENU

VOICE COMMAND : Touch the **TALK** key and speak.

After touching the **TALK** key

- SAY: **SELECT PHONE** : Connect to a phone
- SAY: **CHANGE NAME** : Change VOICE TAG
- SAY: **DELETE ENTRY** : Delete a phone/phones from registration list
- SAY: **GO BACK** : Return to LIST PHONES MENU

SET PASSKEY

1. Call SET PASSKEY in PHONE SETUP MENU.

Key Operation : Touch the **TUNE** key to select SET PASSKEY and touch.

VOICE COMMAND : Touch the **TALK** key and say “*SET PASSKEY*”.

2. Input the new PASSKEY after displaying current PASSKEY.

Key Operation : Touch the **TUNE** key to select a number and touch to decide.

VOICE COMMAND : Touch the **TALK** key and say “*PASSKEY NUMBER*”.

3. Confirm the PASSKEY. It will go to PHONE SETUP MENU after displaying the new PASS KEY.

Key Operation : Touch the **TUNE** key to select CONFIRM and touch.

VOICE COMMAND : Touch the **TALK** key and say “*CONFIRM*”.

DELETE

1. Call DELETE in PHONE SETUP MENU.

Key Operation : Touch the **TUNE** key to select DELETE and touch.

VOICE COMMAND : Touch the **TALK** key and say “*DELETE*”.

2. Select the phone to delete from the list.

Key Operation : Touch the **TUNE** key to select a phone and touch.

VOICE COMMAND : Touch the **TALK** key and say “*VOICE TAG*”.

3. Confirm. It will go to PHONE SETUP MENU after displaying DELETED.

Key Operation : Touch the **TUNE** key to select CONFIRM and touch.

VOICE COMMAND : Touch the **TALK** key and say “*CONFIRM*”.

5-10-12. BT SETUP (SYSTEM SETUP)

Function	<input type="checkbox"/> There are following setting items in SYSTEM SETUP MENU. <input type="checkbox"/> GUIDANCE VOL : Adjust GUIDANCE VOLUME <input type="checkbox"/> INITIALIZE : Initialize Information of Registered Device <input type="checkbox"/> SEL LANGUAGE : Select Language
Operation of button	<input type="checkbox"/> GUIDANCE VOL 1. Call GUIDANCE VOL in SYSTEM SETUP MENU. <input type="checkbox"/> Key Operation : Touch the <input type="checkbox"/> TUNE key to select GUIDANCE VOL and touch. 2. Turn the <input type="checkbox"/> TUNE key and adjust GUIDANCE VOL (1~7). It will go to SYSTEM SETUP MENU when timeout or you touch the <input type="checkbox"/> TUNE key. <input type="checkbox"/> INITIALIZE 1. Call INITIALIZE in SYSTEM SETUP MENU. <input type="checkbox"/> Key Operation : Touch the <input type="checkbox"/> TUNE key to select INITIALIZE and touch. 2. Confirm INITIALIZATION. It will display "PLEASE WAIT" and "INITIALIZED" then go to the last source mode. <input type="checkbox"/> Key Operation : Touch the <input type="checkbox"/> TUNE key to select CONFIRM and touch. ※ No key will be effective when displaying "PLEASE WAIT". <input type="checkbox"/> SEL LANGUAGE 1. Call SEL LANGUAGE in SYSTEM SETUP MENU. <input type="checkbox"/> Key Operation : Touch the <input type="checkbox"/> TUNE key to select LANGUAGE and touch. 2. Turn the <input type="checkbox"/> TUNE key to select ENGLISH or FRANÇAIS. It will go to SYSTEM SETUP MENU when timeout or you touch the <input type="checkbox"/> TUNE key.
Detail	<input type="checkbox"/> VALUE RANGE of VOLUME is 1~7. <input type="checkbox"/> It will go to SYSTEM SETUP MENU after you adjust VOLUME. <input type="checkbox"/> The <input type="checkbox"/> OFF HOOK will be not effective. <input type="checkbox"/> The <input type="checkbox"/> 1 ~ <input type="checkbox"/> 6 keys will be not effective.

5-10-13. DELETE HISTORY

Function	<input type="checkbox"/> Delete the history of REDIAL/CALLBACK.
Operation of button	<p><input type="checkbox"/> REDIAL</p> <ol style="list-style-type: none"> 1. Call REDIAL in BT TOP MENU. <ul style="list-style-type: none"> <input type="checkbox"/> Key Operation : Touch the TUNE key to select REDIAL and touch. <input type="checkbox"/> VOICE COMMAND : Touch the TALK key and say "REDIAL". 2. Select the number/ name to delete. <ul style="list-style-type: none"> <input type="checkbox"/> Key Operation : Touch the TUNE key to select registration number/name and touch to decide. 3. Delete. <ul style="list-style-type: none"> <input type="checkbox"/> Key Operation : Touch the TUNE key to select DELETE and touch. <input type="checkbox"/> VOICE COMMAND : Touch the TALK key and say "DELETE". 4. Confirm deletion. It will display "DELETED" and go to TOP MENU. <ul style="list-style-type: none"> <input type="checkbox"/> Key Operation : Touch the TUNE key to select CONFIRM and touch. <input type="checkbox"/> VOICE COMMAND : Touch the TALK key and say "CONFIRM". <p><input type="checkbox"/> CALL BACK</p> <ol style="list-style-type: none"> 1. Call CALL BACK in BT TOP MENU. <ul style="list-style-type: none"> <input type="checkbox"/> Key Operation : Touch the TUNE key to select CALL BACK and touch. <input type="checkbox"/> VOICE COMMAND : Touch the TALK key and say "CALL BACK". <p>※ The rest is the same specification to Item2 "Select the number/ name to delete" in Registration from REDIAL History.</p>

5-11. Operation of AUX

Function	<input type="checkbox"/> AUX Input
Operation of button	<input type="checkbox"/> Touch the <input type="checkbox"/> CD / AUX key. <input type="checkbox"/> Touch the <input type="checkbox"/> MODE key of Steering Controller.
Detail	<input type="checkbox"/> It will switch to AUX Mode if you touch the <input type="checkbox"/> CD / AUX key no matter whether connected to an AUX Device or not. (Please refer to “Switch to CD Mode” in CD Chapter.) <input type="checkbox"/> It will not switch to AUX Mode if you touch the <input type="checkbox"/> MODE key of Steering Controller when there is no AUX Device connected. <input type="checkbox"/> It will keep AUX VOLUME Value even if you disconnect the AUX Device. <input type="checkbox"/> It will not go to AUX Mode automatically even if you connect a AUX Device to the SET when it is working. <input type="checkbox"/> It will keep AUX Mode when you disconnect the AUX Device in AUX Mode. <input type="checkbox"/> AUX Mode will be released by following operation. <ul style="list-style-type: none"> <input type="checkbox"/> When you switch to other mode.

5-12. OTHERS

5-12-1. POWER ON

Function	<input type="checkbox"/> POWER ON/OFF
Operation of button	<input type="checkbox"/> Touch the VOLUME key.
Detail	<input type="checkbox"/> POWER will be ON in last mode if you touch the VOLUME key when POWER is OFF. <input type="checkbox"/> POWER will be OFF if you touch the VOLUME key when POWER is ON. <input type="checkbox"/> The Display will also be off when POWER is OFF. <input type="checkbox"/> It will not FADE OUT/IN like touching the MUTE key when POWER is OFF/ON. <input type="checkbox"/> It will start to receive initial FM1 frequency of RADIO when you turn POWER ON first time.

5-12-2. BEEP

Function	<input type="checkbox"/> BEEP OCCURING When Operate the Specified Key
Operation of button	<input type="checkbox"/> Refers to Following.
Detail	<input type="checkbox"/> BEEP Comes out from the Front Speaker.

5-12-3. TEL MUTE

Function	<input type="checkbox"/> TEL-MUTE
Operation of button	-
Detail	<input type="checkbox"/> If car-phone is connected to the TEL-MUTE terminal of the set and call rings, it will stop the mode if it is in RADIO/CD/USB/AUX mode. <input type="checkbox"/> TEL-MUTE Mode will be released by following conditions. <input type="checkbox"/> When you touch the MODE key of Steering Controller for more than 1.5sec. (Return to last mode)

5-12-4. Operation of Steering Controller

When it is detected that more than 1 key are touched together (When the keys of Steering Controller in low voltage are touched), the first key and the last key you touch will be not effective.

5-12-4-1. VOLUME UP / DOWN (1step)

Function	<input type="checkbox"/> VOLUME の UP/DOWN
Operation of button	<input type="checkbox"/> Touch the <input type="checkbox"/> VOLUME + or <input type="checkbox"/> VOLUME - key for less than 0.5sec.
Detail	<p><input checked="" type="checkbox"/> COMMON FOR ALL MODES</p> <p><input type="checkbox"/> Adjust VOLUME when Key is ON.</p> <p><input type="checkbox"/> VOLUME will be 1step UP if you touch the <input type="checkbox"/> VOLUMR + key for less than 0.5sec.</p> <p><input type="checkbox"/> VOLUME will be 1step DOWN if you touch the <input type="checkbox"/> VOLUMR - key for less than 0.5sec.</p> <p><input type="checkbox"/> It will not be UP when it is the MAX(40).</p> <p><input type="checkbox"/> It will not be DOWN when it is the MIN(0).</p> <p><input type="checkbox"/> The <input type="checkbox"/> VOLUME + and <input type="checkbox"/> VOLUME - keys of the set will be not effective when you are touching the <input type="checkbox"/> VOLUME + or <input type="checkbox"/> VOLUME - key of Steering Controller.</p> <p><input type="checkbox"/> The <input type="checkbox"/> VOLUME keys of Steering Controller will be effective even it is receiving a call/calling/ in Voice Guidance in BT-TEL Mode.</p> <p><input type="checkbox"/> VOLUME ADJUSTMENT will be released by following conditions.</p> <ul style="list-style-type: none"> <input type="checkbox"/> When you turn ACC / POWER OFF. <input type="checkbox"/> When you touch an effective key which is effective in each mode. <input type="checkbox"/> When you do no operation in 5sec.

5-12-4-2. VOLUME UP / DOWN (Continued)

Function	<input type="checkbox"/> VOLUME be UP/DOWN Continued
Operation of button	<input type="checkbox"/> Touch the <input type="checkbox"/> VOLUME + or <input type="checkbox"/> VOLUME - key for more than 0.5sec. (Action Only When Touching)
Detail	<p>■ COMMON FOR ALL MODES</p> <p><input type="checkbox"/> VOLUME will be UP/DOWN continued when you touch the <input type="checkbox"/> VOLUME + or <input type="checkbox"/> VOLUME - key for more than 0.5sec.</p> <p><input type="checkbox"/> VOLUME will be 1 step UP/DOWN in every 150ms when you touching the key for more than 0.5sec.</p> <p><input type="checkbox"/> It will stop when it is the MAX/MIN(40/0).</p>

5-12-4-3. UP / DOWN

Function	<input type="checkbox"/> Preset CH UP / DOWN (SEEK UP / DOWN)
Operation of button	<input type="checkbox"/> Touch the <input type="checkbox"/> UP or <input type="checkbox"/> DOWN key.
Detail	<p><input checked="" type="checkbox"/> RADIO Mode</p> <p><input type="checkbox"/> Preset CH will be UP/DOWN if you touch the <input type="checkbox"/> UP or <input type="checkbox"/> DOWN key for less than 1.5sec.</p> <p><input type="checkbox"/> It will SEEK UP/DOWN if you touch the <input type="checkbox"/> UP or <input type="checkbox"/> DOWN key for more than 1.5sec.</p> <p><input checked="" type="checkbox"/> SAT Mode</p> <p><input type="checkbox"/> CH will be UP/DOWN if you touch the <input type="checkbox"/> UP or <input type="checkbox"/> DOWN key. (Action when Key is ON)</p> <p><input checked="" type="checkbox"/> CD / USB / BT Audio Mode</p> <p><input type="checkbox"/> TRACK will be UP/DOWN if you touch the <input type="checkbox"/> UP or <input type="checkbox"/> DOWN key for less than 1.5sec.</p> <p><input type="checkbox"/> FOLDER will be UP/DOWN if you touch the <input type="checkbox"/> UP or <input type="checkbox"/> DOWN key for more than 1.5sec.</p> <p><input checked="" type="checkbox"/> AUX Mode</p> <p><input type="checkbox"/> The key is not effective in AUX Mode.</p> <p><input checked="" type="checkbox"/> BT-TEL Mode</p> <p><input type="checkbox"/> The key is not effective in BT-TEL Mode.</p>

5-12-4-4. MODE

Function	<input type="checkbox"/> Switch MODES
Operation of button	<input type="checkbox"/> Touch the MODE key for less than 1.5sec.
Detail	<p>【 COMMON FOR ALL MODES 】</p> <p><input type="checkbox"/> It will switch to other mode if you touch the key. The Mode order will be different for different Destinations.</p> <div style="text-align: center;"> <pre> graph LR FM1[FM] --> AM[AM] AM --> SAT[SAT ※] SAT --> CD[CD ※] CD --> USB[USB ※] USB --> BT[BT Audio ※] BT --> AUX[AUX ※] AUX --> Media[Media-HUB ※] Media --> FM2[FM] </pre> </div> <p><input type="checkbox"/> It will go to the last frequency of the last BAND if you switch to FM/AM Mode.</p> <p><input type="checkbox"/> It will go to the last channel of the last BAND if you switch to SAT Mode.</p> <p><input type="checkbox"/> It will go to the last time of the last track of the last DISC if you switch to CD Mode.</p> <p><input type="checkbox"/> It is not effective when ACC/POWER is OFF.</p> <p><input type="checkbox"/> It will go to the last time of the last track if you switch to USB Mode.</p> <p><input type="checkbox"/> ※ The mode with the mark will be skipped if it is not connected (or no disk inserted).</p> <p>(This specification is for touching the MODE key of Stereo Controller only, it will not skip when switch by other ways.)</p>

5-12-4-5. MUTE

Function	<input type="checkbox"/> MUTE ON / OFF
Operation of button	<input type="checkbox"/> Touch the <input type="checkbox"/> MODE key for more than 1.5sec.
Detail	<p><input type="checkbox"/> It will switch MUTE ON/OFF if you touch the <input type="checkbox"/> MODE key for more than 1.5sec in each mode.</p> <p><input type="checkbox"/> It will display “MUTE” in MUTE Mode.</p> <p><input type="checkbox"/> MUTE Mode will be released by following situation.</p> <ul style="list-style-type: none"> <input type="checkbox"/> When you turn ACC / POWER OFF. <input type="checkbox"/> When you go to other source mode. <input type="checkbox"/> Touch the <input type="checkbox"/> MODE key more than 1.5sec. <input type="checkbox"/> When you turn VOLUME UP. <input type="checkbox"/> When BT-TEL interrupts. <p><input type="checkbox"/> The following key is also effective besides above. (MUTE Mode will not be released.)</p> <ul style="list-style-type: none"> <input type="checkbox"/> The <input type="checkbox"/> EJECT key. <p>※MUTE Mode will be released in case of touching the EJECT key when you going to other source mode.</p>

5-12-4-6. ON HOOK

Function	<input type="checkbox"/> End a Call
Operation of button	<input type="checkbox"/> Touch the <input type="checkbox"/> ON HOOK key.
Detail	【 COMMON FOR ALL MODES 】 <input type="checkbox"/> End HFP function by mobile phone.

5-12-4-7. OFF HOOK

Function	<input type="checkbox"/> Outgoing a Call
Operation of button	<input type="checkbox"/> Touch the <input type="checkbox"/> OFF HOOK key.
Detail	【 COMMON FOR ALL MODES 】 <input type="checkbox"/> Outgoing a call from mobile phone.

5-12-4-8. VOICE COMMAND

Function	<input type="checkbox"/> VOICE COMMAND
Operation of button	<input type="checkbox"/> Touch the <input type="checkbox"/> TALK key
Detail	【 Common For All Models 】 <input type="checkbox"/> Voice Command will be effective by touching the <input type="checkbox"/> TALK key.

5-12-5. CONTROL BRIGHTNESS & ILLUMI

Function	<input type="checkbox"/> The Brightness of LCD backlight can be changed by the operation of illumination.
Operation of button	-
Detail	<input type="checkbox"/> If it receives "BRIGHT ON" signal from ECU, it will set brightness of LCD backlight to Day Brightness (MAX). <input type="checkbox"/> If it receives "BRIGHT OFF" signal from ECU, it will set brightness of LCD backlight as signal. <input type="checkbox"/> It is possible to adjust the brightness in 6 steps.

	STEP OF CAR ILLUMI	LCD BACK LIGHT BRIGHTNESS
Night Brightness	1	DARK
	2	↑
	3	
	4	
	5	↓
	6	LIGHT
Day Brightness	-	MAX