

IMPORTANT SAFETY INSTRUCTIONS

- Read these instructions.
- Keep these instructions.
- Heed all warnings.
- Follow all instructions.
- Do not use this apparatus near water.
- Clean only with a dry cloth.
- Do not block the ventilation openings. Install in accordance with the manufacturer's instructions.
- Do not install near any heat sources such as radiators, heat registers, stoves, or other apparatus (including amplifiers) that produce heat.
- Do not defeat the safety purpose of the polarized or grounding - type plug. A polarized plug has two blades with one wider than the other. A grounding type plug has two blades and a third grounding prong. The wide blade or the third prong are provided for your safety. If the provided plug does not fit into your outlet, consult an electrician for replacement of the obsolete outlet.
- Protect the power cord from being walked on or pinched particularly at plugs, convenience receptacles, and the point where they exit from the apparatus.
- Only use attachments/accessories specified by the manufacturer.
- Use only with a cart, stand, tripod, bracket, or table specified by the manufacturer, or sold with the apparatus. When a cart is used, use caution when moving the cart/apparatus combination to avoid injury from tip-over.
- Unplug this apparatus during lightning storms or when unused for long periods of time.
- Refer all servicing to qualified service personnel. Servicing is required when the apparatus has been damaged in any way, such as power-supply cord or plug is damaged, liquid has been spilled or objects have fallen into the apparatus, the apparatus has been exposed to rain or moisture, does not operate normally, or has been dropped.

DISC FORMATS

This unit can play

	DVDs [8cm/12cm disc]		Audio CDs [8cm/12cm disc]	CD-R CD-RW Compatible
--	-------------------------	--	------------------------------	---------------------------------

Region Management Information

Region Management Information: This unit is designed and manufactured to respond to the Region Management Information that is encoded on DVDs. If the region number printed on the DVD does not correspond to the region number of this unit, it cannot play that disc.

The region number of this unit is 1.

Disc Function or Operation that is Not Available

When the symbol appears on the screen, it indicates that the function or operation attempted is not available at that time. This occurs because the DVD manufacturer determines the specific functions of DVDs. Certain functions may not be available on some DVDs. Be sure to read the documentation provided with the DVD.

Icons Used on DVDs

- Sample Icons
- | | |
|--|-----------------------------------|
| | Language selections for audio |
| | Language selections for subtitles |
| | Screen aspect ratio |
| | Multiple camera angles |
| | Region code indicator |

Title, Chapter and Tracks

- DVDs are divided into "titles" and "chapters". If the disc has more than one movie on it, each movie would be a separate "title". "Chapters" are sections of titles.
- Audio CDs are divided into "tracks". A "track" is usually one song on an Audio CD.

Note: Numbers identify each title, chapter, and track on a disc. Most discs have these numbers recorded on them, but some do not.

Notes on Unauthorized Discs

You may not be able to play some DVDs on this unit, particularly if they were purchased from outside your geographic area or made for business purposes.

SOUND SYSTEM

Dolby Digital

Dolby Digital is a technology developed by Dolby Laboratories. Soundtracks encoded in Dolby Digital can reproduce from one to 5.1 discrete channels of excellent quality audio.

The unit automatically recognizes the Dolby Digital bitstream and provides a downmix suitable for two-channel listening. An additional Dolby Digital decoder is required for reproduction of the discrete multi-channel soundtracks available on many DVDs.

Manufactured under license from Dolby Laboratories. "Dolby" and the double-D symbol are trademarks of Dolby Laboratories.



ACCESSORIES

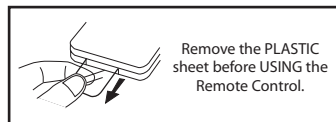
Please check and identify the supplied accessories.
• To order accessories visit website <http://www.RCAav.com>

- | | | |
|--------------------------|------------------------------------|-----|
| <input type="checkbox"/> | Remote Control (with battery)..... | x1 |
| <input type="checkbox"/> | AC Power Adapter..... | x 1 |
| <input type="checkbox"/> | Car Power Adapter..... | x 1 |
| <input type="checkbox"/> | Mounting Strap..... | x 1 |
| <input type="checkbox"/> | Audio/Video Cable..... | x 1 |

REMOTE CONTROL

Using the Remote Control

- Point the remote control at the REMOTE SENSOR located on the unit.
- When using this unit in very bright light, the infrared REMOTE SENSOR may not work properly.
- The maximum effective distance for remote operation is about 16 feet (5 meters).



TO CHANGE REMOTE BATTERY

- Open the battery door.
- Insert one CR2025 (3V) size battery.



BATTERY REPLACEMENT

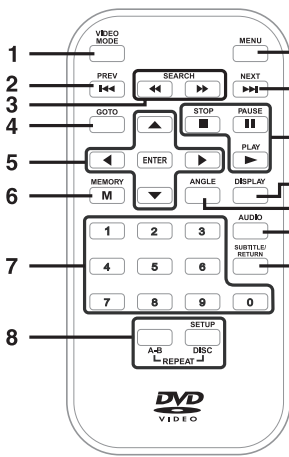
When the battery becomes weak, the operating distance of the remote control will be greatly reduced and you will need to replace the battery.

Note: If the remote control is not going to be used for a long time, remove the battery.

- WARNING:** Do not dispose of the battery in a fire or it may leak and/or explode.
WARNING: Batteries shall not be exposed to excessive heat such as sunshine, fire or the like.
CAUTION: Danger of explosion if battery is incorrectly replaced. Replace only with the same or equivalent type.

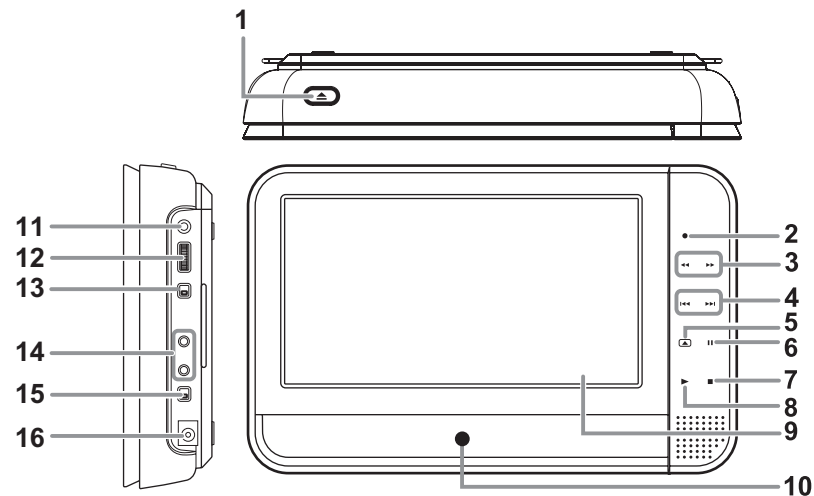
CONTROL REFERENCE GUIDE

Remote Control



- VIDEO MODE Button**
Adjusts Brightness, Contrast, Color or View Mode of the LCD screen.
- PREV Button**
Goes back to current or previous chapters/tracks.
- SEARCH Buttons**
Fast reverse playback.
Fast forward playback.
- GOTO Button**
Skips directly to a location on a DVD or a CD.
- Cursor Buttons**
Use to move between selections on a menu screen and adjust certain settings.
- ENTER Button**
Confirms selections on a menu screen.
- MEMORY Button**
In STOP mode, sets titles/chapters in a favorite order.
- Number (0 - 9) Buttons**
Use when creating programs and locating a title/chapter or specific time.
- REPEAT A-B Button**
Performs point-to-point repeat playback on a DVD or CD.
- REPEAT DISC Button**
Repeats a DVD chapter or title.
Repeats a CD track or the entire disc.
- SETUP Button**
Opens and closes the SETUP menu while in stop mode.
- SUBTITLE Button**
Selects one of the subtitle languages programmed on a DVD (if available).
- RETURN Button**
Returns to normal operation after using the SETUP menu of a DVD.
- AUDIO Button**
Selects one of the audio sound tracks programmed on a DVD or select the audio output mode on an Audio CD.
- ANGLE Button**
Switches between multiple camera angles when the DVD you are playing has been programmed with multiple camera angles.
- DISPLAY Button**
Shows status information on the screen.
- STOP Button**
Stops playing a disc.
- PLAY Button**
Starts or resumes playback of a disc.
- PAUSE Button**
Pauses playback of a disc. Each time you press the PAUSE button the picture advances one frame on a DVD. Press the PLAY button to resume playback.
- NEXT Button**
Advances chapters/tracks.
- MENU Button**
Opens and closes the DVD menu.

Unit

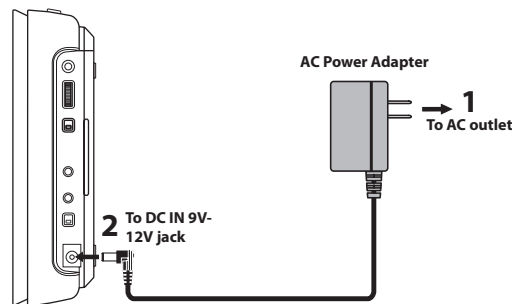


- Button**
Press the button to open the front panel, press the inside disc switch to open the disc door.
- STANDBY Indicator**
When the STANDBY / ON switch is slid to STANDBY position, the red light will illuminate.
- SEARCH Button**
Performs fast reverse playback.
- PREV Button**
Goes back to current or previous chapters/tracks.
- Flip Button**
Flips the screen image.
- PAUSE Button**
Pauses playback of a disc. Each time you press the PAUSE button the picture advances one frame on a DVD. Press the PLAY button to resume playback.
- STOP Button**
Stops playing a disc.
- PLAY Button**
Starts or resumes playback of a disc.
- LCD Screen**
- Remote Sensor**
Receives the remote control signal.
- Headphone Jack**
- VOLUME Control**
Adjusts the volume.
- Standby/On Switch**
- AUDIO & VIDEO IN / OUT Jacks**
- AV IN / DVD Switch**
- DC IN 9V-12V Jack**

POWER SUPPLY

A. Using the AC Power Adapter

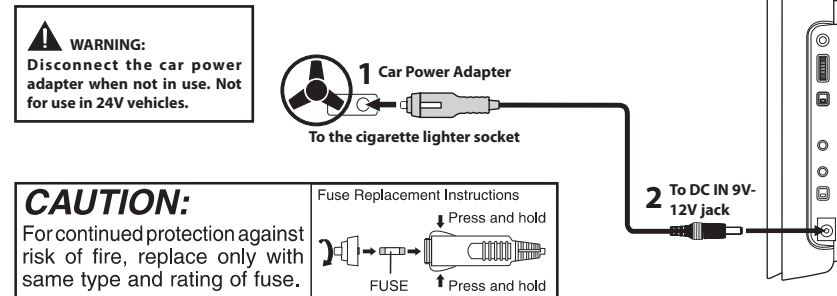
The supplied AC power adapter operates on AC 100-120V ~50/60Hz.



- Cautions:**
- The AC power adapter included with this unit is for its use only. Do not use it with other equipment.
 - When the unit is not going to be used for long time, disconnect the AC power adapter from the AC power outlet.
 - When the AC power adapter is plugged in, the apparatus is not completely disconnected from the main power supply, even when the power is turned off.
- Warning:**
The AC power adapter is used as disconnect device and it should remain readily operable during intended use. In order to disconnect the apparatus from the mains completely, the AC power adapter should be disconnected from the mains socket outlet completely.

B. Using the Car Power Adapter

The 12V car power adapter allows the unit to be used with vehicles that have a 12V, negative ground electrical system.



Turning on the Unit

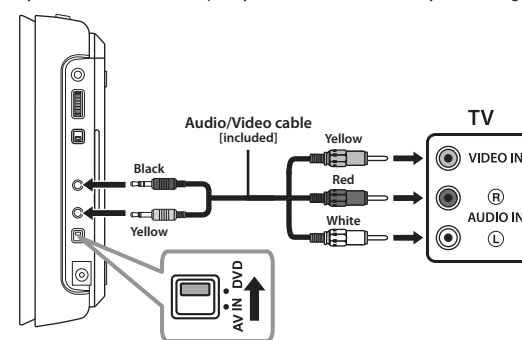
- Slide the STANDBY / ON switch on the top of the unit to the ON position.
- The DVD logo (start-up picture) will appear on the screen.
- After use, slide the STANDBY / ON switch to the STANDBY (power off) position.



CONNECTIONS

A. Connecting to a TV

If your TV has Audio/Video inputs, you can connect the unit to your TV using Audio/Video cable.

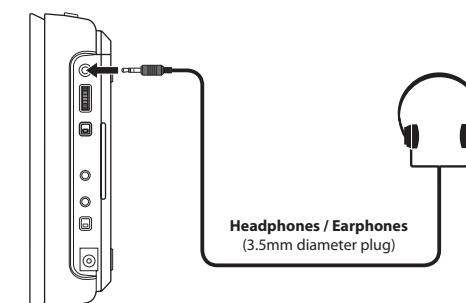


Watching a DVD on your TV

- Connect your TV to the unit using an Audio/Video cable.
- Turn on unit. Slide the DVD / AV IN switch to DVD.
- Turn on the TV and follow the instructions included with it to play the DVD.

B. Using Headphones / Earphones

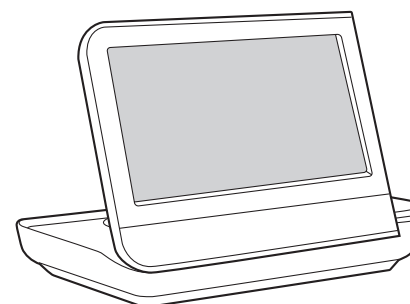
- Turn down the volume before connecting, and then adjust the level.
- When headphones/earphones are connected, no sound will be emitted from the unit's speaker.



Caution: Avoid listening to sound at levels which may be harmful to your ears.

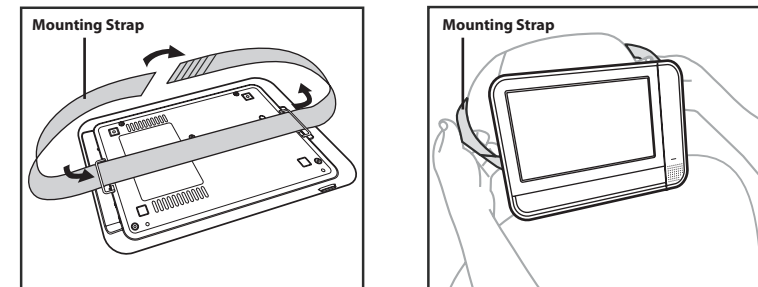
FOR DESKTOP USE

You can flip up the display for desk-top or table-top viewing.

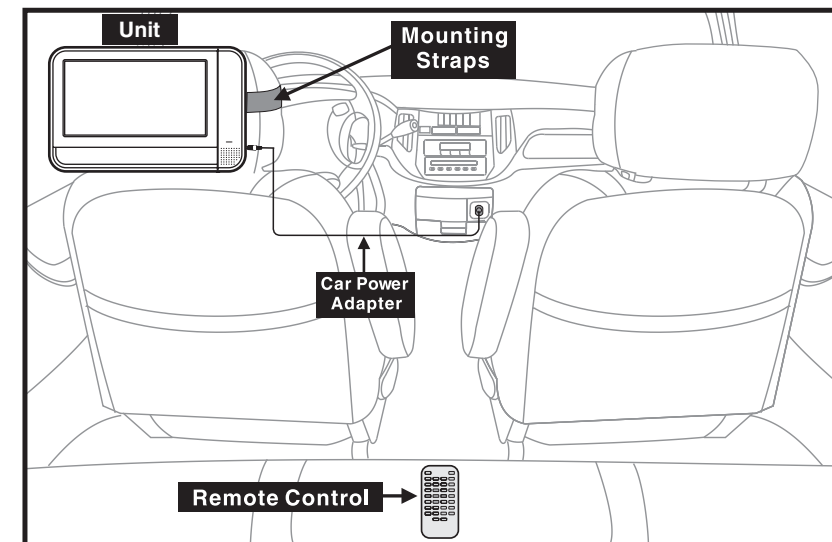


INSTALLING IN A VEHICLE

Use the supplied mounting straps to install the units on the back of the vehicle's headrests. Tightly wrap the mounting straps around the headrest.



INSTALLATION GUIDE



- SAFETY WARNING!**
- This unit should never be used by the vehicle's driver or left unsecured in the vehicle while driving.
 - If this unit is being used in your vehicle, be sure that it is secured or held safely, and does not obstruct any safety device, including air bags or seat belts.
 - All passengers should wear seat belts when using this unit in a moving vehicle.
 - If in doubt, please contact your vehicle manufacturer for further advice.

LIMITED WARRANTY

AVC MULTIMEDIA ("AVC") makes the following limited warranty. This limited warranty extends to the original consumer purchaser and is limited to non-commercial use of the product.

One Year Parts & Labor Warranty

AVC products purchased in the United States are warranted to be free from defects in materials or workmanship for a period of one year from the date of their original retail purchase. If the unit fails to conform to this warranty, we will service the product using new or refurbished parts and products, at AVC's sole discretion.

During a period of one year from the effective warranty date, AVC will provide, when needed, service labor to repair a manufacturing defect at its designated Service Center. To obtain warranty service in the United States, you must first call our Customer Support Center at 1-800-506-5746 or 1-877-252-6873, during the hours listed in the box below. The determination of service will be made by AVC Customer Support. PLEASE DO NOT RETURN YOUR UNIT TO AVC WITHOUT PRIOR AUTHORIZATION. New or remanufactured replacements for defective parts or products will be used for repairs by AVC at its designated Service Center for one year from the effective warranty date. Such replacement parts or products are warranted for an additional one year from the date of repair or replacement. The Customer will be required to ship the unit to the Service Center indicated at the time Customer Support is contacted to make the necessary repairs. The customer is responsible for all transportation charges to the service facility.

Packaging and Shipping Instruction

When you send the product to the AVC service facility you must use the original carton box and packing material or an equivalent as designated by AVC.

LIMITED WARRANTY

Your Responsibility

- You must retain the original sale receipt to provide proof of purchase.
- These warranties are effective only if the product is purchased and operated in the U.S.A. or Canada.
- Warranties extend only to defects in material or workmanship, and do not extend to any product or parts which have been lost or discarded, or damage to product or parts caused by misuse, accident, improper operation or maintenance, or use in violation of instructions provided with the product, or to product which has been altered or modified without authorization of AVC, or to products or parts thereof which have had the serial number removed or changed.

Out of Warranty

In the event your product requires repair after the limited warranty period has expired, please contact our Customer Support Center at 1-800-506-5746, 1-877-252-6873 or www.RCAav.com

Hours: Monday-Thursday: 9am-7pm, Friday: 9am-5pm, Saturday: 9am-NOON Eastern time.

Important: You are responsible for any transportation, shipping or insurance relative to the return of product to our Product Returns Center.

All warranties implied by state law, including the implied warranties of merchantability and fitness for a particular purpose, are expressly limited to the duration of the limited warranties set forth above. With the exception of any warranties implied by state law as hereby limited, the foregoing warranty is exclusive and in lieu of all other warranties, guarantees, agreements and similar obligations of manufacturer or seller with respect to the repair or replacement of any parts. In no event shall AVC be liable for consequential or incidental damages.

No person, agent, distributor, dealer or company is authorized to change, modify or extend the terms of these warranties in any manner whatsoever. The time when action must be commenced to enforce an obligation of AVC arising under the warranty or under any statute, or law of the United States or any state thereof, is hereby limited to one year from the date of purchase. This limitation does not apply to implied warranties arising under state law.

This warranty gives you specific legal rights and you may also have other rights, which may vary, from state to state. Some states do not allow limitation on how long an implied warranty lasts, when an action may be brought, or the exclusion or limitation of incidental or consequential damages, so the above provisions may not apply to you.

For more information on other products and services, please visit our web site at

www.RCAav.com

Important: Also keep your "Bill of Sale" as proof of purchase.

Model no. Product name.....
Type of set.....
Serial no. Invoice no.....
Date purchased..... Dealer name.....

FOR SERVICE AND REPAIR, PLEASE VISIT www.RCAav.com

