

AUDIOVOX[®] **OWNER'S MANUAL** **AND INSTALLATION GUIDE**

ACD-32

**DETACHABLEFRONTPANEL
ELECTRONICALLY-TUNEDAM/FM/MPXRADIO
WITHCOMPACTDISCPLAYER
ANDQUARTZCLOCK**



INDEX

How To Use This Manual Page 1

Kit Information Page 2

Universal and Import Car Installations Page 3,4

Chrysler-Dodge-Plymouth Installations Page 5

Chevrolet-Oldsmobile-Pontiac-Buick-GMC Cadillac-Saturn
Installations Page 6

Ford-Lincoln-Mercury Installations Page 7

Radio Wiring Page 8

Speaker Wiring Page 9

Operating Instructions Page 10-14

Setting the Clock Page 15

Error Codes Page 15

Frequency Step Switch Page 15

Specifications Page 16

Troubleshooting Page 17

Care and Maintenance Page 18

Warranty Back Page

Toll-Free Assistance

The installation and wiring connections for this unit are so simple, we doubt you'll need our help, but, if you do, we're here to help you. Just call our toll-free telephone assistance line at **1-800-645-7102** during days/hours shown.

DAY	TIME ZONE			
	PACIFIC	MOUNTAIN	CENTRAL	EASTERN
MON.-FRI.	5:30AM - 4PM	6:30AM - 5PM	7:30AM -6PM	8:30AM - 7PM
SATURDAY	6AM - 2PM	7AM - 3PM	8AM -4PM	9AM - 5PM

HELP!

1-800-645-7102

Monday-Friday 8:30am-7:00pm Eastern
Saturday 9:00am-5:00pm Eastern

HOW TO USE THIS MANUAL

1. Identify the make and year of the car in which you will be installing this sound system.
2. Refer to the Kit Listing and Kit Information sections on page 2 to determine if a kit is required.
3. If a kit is required, follow the directions in Kit Information section.
4. Follow the specific installation instructions for your particular make of car as listed in the index.

KIT INFORMATION

1. The years shown in the Kit Listing below are approximate. Always check the application chart at your retail store to find information on your specific make, model and year of vehicle. If a kit is required, read the description on the kit you intend to purchase to make sure it applies to your vehicle. If you have any doubts or questions, call our toll-free "HELP" line.
2. The kits shown below are Audiovox kits. Your retailer may sell kits made by other manufacturers which may also be usable to install this radio. Always check the kit application before purchasing it to make sure it will work with your vehicle.
3. If you believe you need a kit but cannot find a retail store where it is available, call our toll-free "HELP" line.

KIT LISTING

VEHICLE TYPE	KIT REQUIREMENT/NOTES
Chevrolet-Oldsmobile-Buick-Pontiac-Cadillac-Saturn	
1981 and Older	Installation Not Possible
1982 and Newer	AX-93-FCGM
Chevrolet-GMC Full Size Vans	
1988 and Newer	AX-88-CHV
Chevrolet-GMC Full Size Pickups	
1988 and Newer	AX-88-CHT
Chrysler-Dodge-Plymouth	
U.S. Built 1974 and Newer	AX-93-FCGM
Imported	Refer to In-Store Chart
Ford-Lincoln-Mercury	
1984 and Older	Installation Not Possible
1985 and Newer	AX-93-FCGM
Jeep-Eagle	
1984 and Newer	Filing of Dash Required

IMPORT CARS

Due to the wide variety of import cars and the different installations required, this manual does not show typical installations in these vehicles. However, this sound system can be installed in many import cars by following the "Universal Installation" section on pages 3 and 4. Check the application chart at your retail store or call our toll-free "HELP" line for specific information on your particular car.

IMPORTS:

Acura-Audi-BMW-Daihatsu-Fiat-Honda-Hyundai	
Mercedes-Peugeot-Porsche-Saab-Subaru	
Volkswagen-Volvo-Yugo	Will Fit Most Years; Some Require Filing of Dash
Datsun-Nissan	Refer to In-Store Chart
Mazda	Professional Installation Recommended
Toyota	Professional Installation Recommended

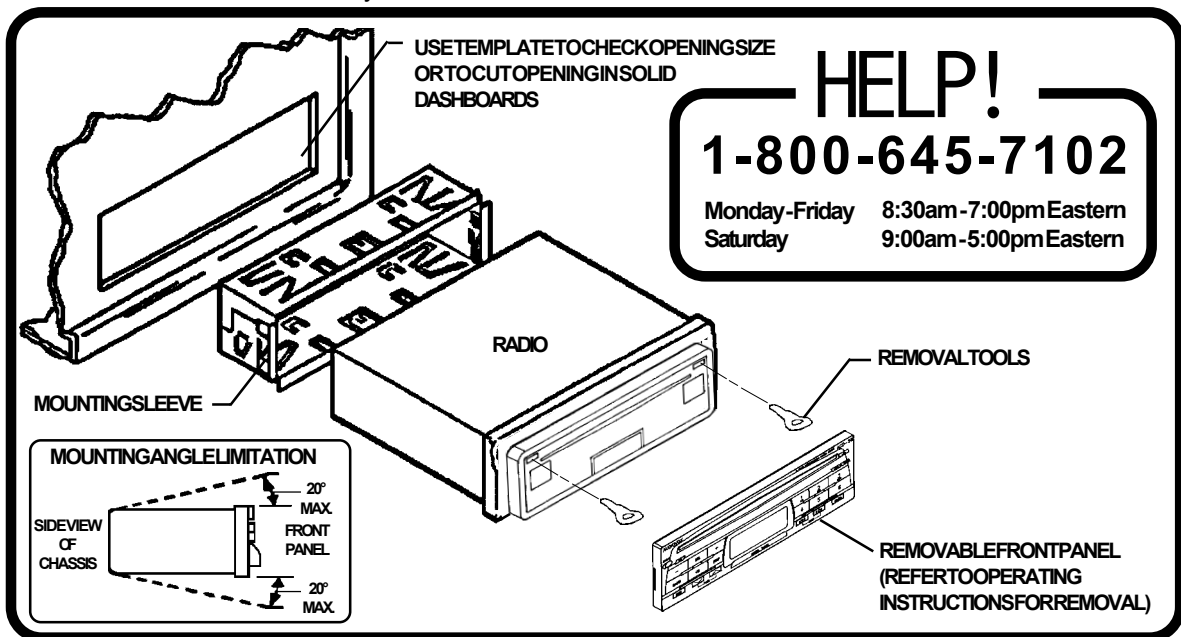
For vehicles not listed or more specific information, refer to the in-store application chart or call our "HELP" line.

UNIVERSAL INSTALLATION AND IMPORT CAR INSTALLATION

This installation is designed for cars, trucks, vans, and boats that have an existing radio opening that is no larger than the size shown on the template provided (182mm wide x 53mm high). If the opening is smaller than required, you can use a file to enlarge it to match the template, using the slots on the template as a guide. If you have no existing radio opening, use the template to accurately cut the required size as per the **slots** on the template.

CAUTION: 1. DO NOT CUT OR FILE THE OPENING TO THE OUTER EDGES OF THE TEMPLATE!
 2. FOR PROPER OPERATION OF THE CD PLAYER, THE CHASSIS MUST BE WITHIN 20° OF HORIZONTAL. MAKE SURE THE UNIT IS MOUNTED WITHIN THIS LIMITATION.

1. Inspect the Existing Radio Opening:
 - A. Use the radio opening template (supplied) to make sure the dashboard opening is the proper size. If your vehicle does not have an existing opening of this size, it will be necessary to cut or file the opening to these dimensions.
 - B. Check that there will be sufficient space behind the dashboard for the radio chassis.
2. Prepare the Radio for installation:
 - A. Carefully check the radio chassis for any shipping screws that are labeled "Remove Before Installation" and remove them as necessary.
 - B. Remove the detachable front panel if it is attached to the chassis, as explained in the Operating Instructions section of this manual.
 - C. Using the 2 removal tools (supplied), remove the mounting sleeve from the radio chassis as shown in the diagram below.
3. Mounting the Radio Sleeve:
 - A. Check the dashboard opening size by sliding the mounting sleeve into it. If the opening is not large enough, carefully cut or file as necessary until the sleeve easily slides into the opening. Do not force the sleeve into the opening or cause it to bend or bow.
 - B. Locate the series of bend tabs along the top, bottom, and sides of the mounting sleeve. With the sleeve fully inserted in the dashboard opening, bend as many of the tabs outward as necessary so that the sleeve is firmly secured to the dashboard.



UNIVERSAL INSTALLATION AND IMPORT CAR INSTALLATION

4. Wire the Radio to the Vehicle's Wiring:

- Place radio in front of dashboard opening so that wiring can be brought through the mounting sleeve.
- Carefully follow the diagrams on pages 8 and 9 or 10 to wire the radio, making certain all connections are secure and insulated with wire nuts or electrical tape to insure proper operation of the unit.
- After completing the wiring, re-attach the front panel to the chassis and turn the unit on to confirm operation (ignition switch must be "on"). If unit does not operate, re-check all wiring until problem is corrected.
- Once proper operation is achieved, turn off ignition switch, remove front panel, and proceed with final mounting of the radio.

5. Installing the Radio in the Mounting Sleeve:

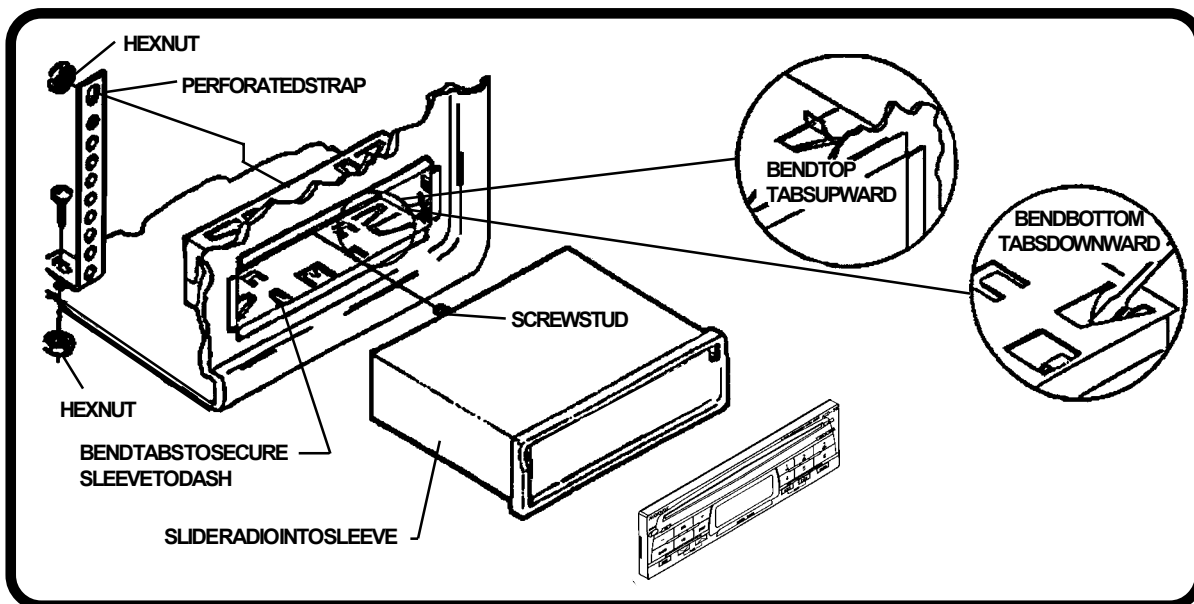
- Carefully slide the radio into the mounting sleeve until it is fully seated and the side spring clips snap in place.
- Attach one end of the perforated strap (supplied) to the screw stud on the rear of the radio using the hex nut provided.
- Fasten the other end of the perforated strap to a secure part of the dashboard either above or below the radio using the screw and hex nut provided.

CAUTION: The rear of the radio must be supported with the strap to prevent possible damage to the dashboard from the weight of the radio or improper operation of the radio due to vibration.

- Re-attach the front panel to the chassis and check operation of the unit by referring to the Operating Instructions section of this manual.

6. Removing the Radio:

- Should it be necessary to remove the radio for servicing or other reasons, first remove the detachable front panel.
- Remove the rear support strap by taking off the hex nut securing it to the screw stud on the rear of the chassis.
- Use the 2 removal tools (supplied) to disengage the spring clips and pull the radio out of the mounting sleeve.



CHRYSLER-DODGE-PLYMOUTH INSTALLATION

All U.S. Made Cars, Trucks, and Vans Built Since 1974

Important-This radio cannot be installed in any U.S. made Chrysler, Dodge, or Plymouth without an installation kit. Refer to Kit Listings on page 2 for the required kit. Complete kit installation is explained in the instructions included with the kit.

CAUTION: 1. DO NOT CUT OR FILE THE OPENING TO THE OUTER EDGES OF THE TEMPLATE!

2. FOR PROPER OPERATION OF THE CD PLAYER, THE CHASSIS MUST BE WITHIN 20° OF HORIZONTAL. MAKE SURE THE UNIT IS MOUNTED WITHIN THIS LIMITATION.

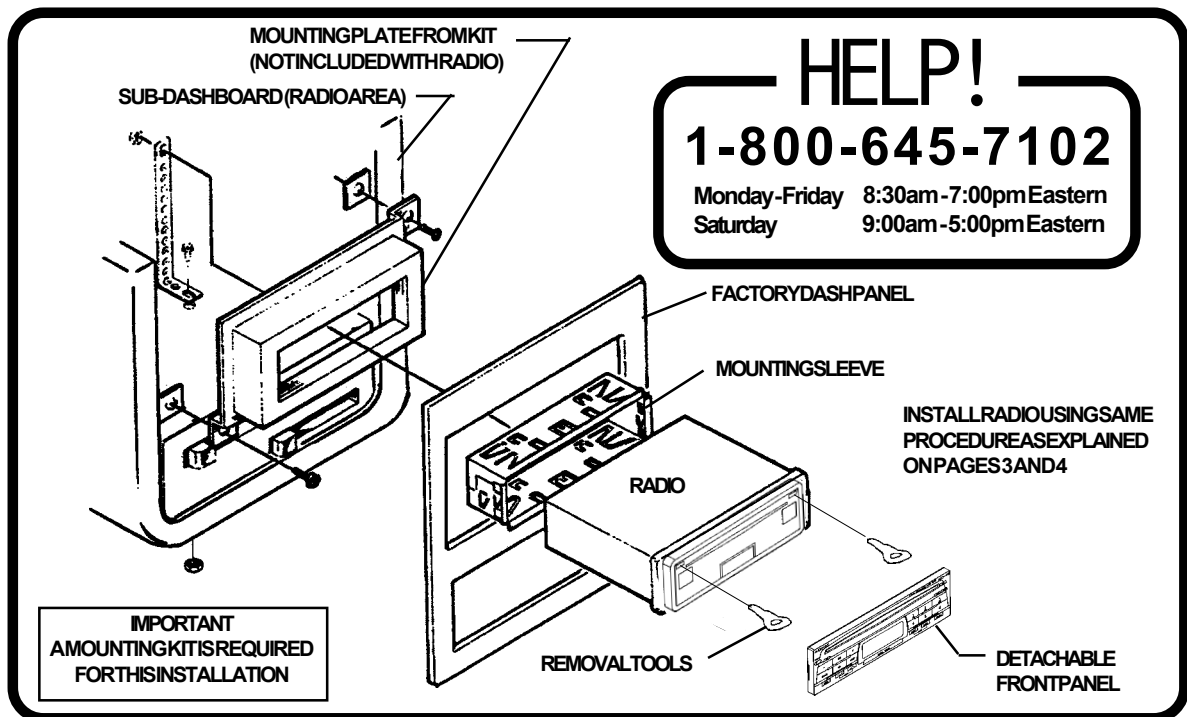
1. Remove Existing Radio:

- A. Remove existing radio dash trim panel surrounding the radio opening. This panel is usually secured by screws and/or snap-in clips.
- B. Remove the two large screws used to secure radio to the sub-dashboard.

Helpful Hint: If you do not have an existing radio, you will find the radio opening is covered by a disposable cover plate.
- C. Pull the radio forward to access the wiring and antenna cables plugged into the rear of the chassis.
- D. Un-plug the wiring harness(es) and antenna cable and remove the radio.

2. Install the New Radio:

- A. Following the instructions included with the installation kit, secure the sleeve from the radio to the mounting plate from the kit as explained on page 3.
- B. Install the sleeve/mounting plate assembly to the sub-dashboard as per the instructions with the installation kit.
- C. Replace the dashboard trimpanel.
- D. Following the instructions of steps 4 and 5 on page 4, carefully wire the radio and complete installation into the mounting sleeve.



CHEVROLET-OLDSMOBILE-BUICK-PONTIAC-GMC-CADILLAC-SATURN INSTALLATION All U.S. Made Cars, Trucks, and Vans Built Since 1982

Important-This radio cannot be installed in any "GM" vehicle without an installation kit. Refer to Kit Listings on page 2 for the required kit. Complete kit installation is explained in the instructions included with kit. This radio cannot be installed in GM vehicles built before 1982.

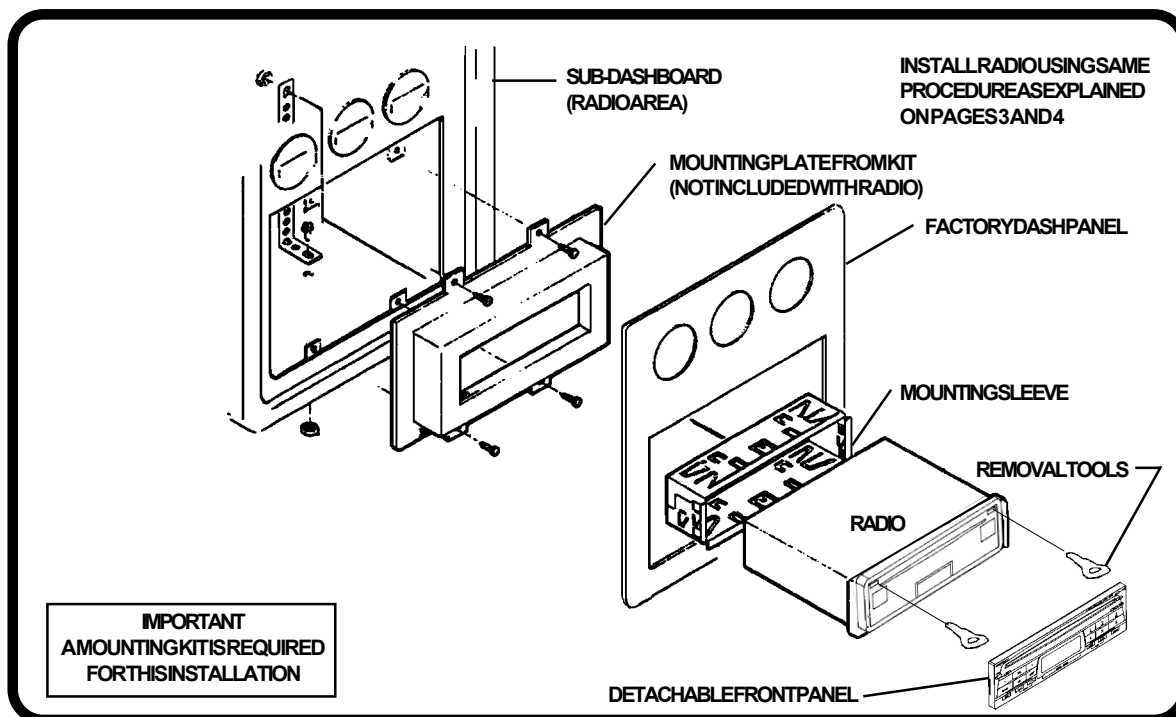
CAUTION: 1. DO NOT CUT OR FILE THE OPENING TO THE OUTER EDGES OF THE TEMPLATE!
2. FOR PROPER OPERATION OF THE CD PLAYER, THE CHASSIS MUST BE WITHIN 20° OF HORIZONTAL. MAKE SURE THE UNIT IS MOUNTED WITHIN THIS LIMITATION.

1. Remove Existing Radio:

- Remove existing radio dash trim panel surrounding the radio opening. This panel is usually secured by screws and/or snap-in clips.
- Remove the screws used to secure radio to the sub-dashboard.
Helpful Hint: If you do not have an existing radio, you will find the radio opening is covered by a disposable cover plate.
- Pull the radio forward to access the wiring and antenna cables plugged into the rear of the chassis.
- Un-plug the wiring harness(es) and antenna cable and remove the radio.

2. Install the New Radio:

- Following the instructions included with the installation kit, secure the sleeve from the radio to the mounting plate from the kit as explained on page 3.
- Install the sleeve/mounting plate assembly to the sub-dashboard as per the instructions with the installation kit.
- Replace the dashboard trimpanel.
- Following the instructions of steps 4 and 5 on page 4, carefully wire the radio and complete installation into the mounting sleeve.



FORD-LINCOLN-MERCURY INSTALLATION

All U.S. Made Cars, Trucks, and Vans Built Since 1985

Important-Measure the size of your existing radio opening. If it is no larger than the size shown on the template provided, you can install the radio as explained on pages 3 and 4. If the opening is larger, you must use a kit. See Kit Listing on page 2. This radio cannot be installed in Ford cars built prior to 1985.

CAUTION: 1. DO NOT CUT OR FILE THE OPENING TO THE OUTER EDGES OF THE TEMPLATE!

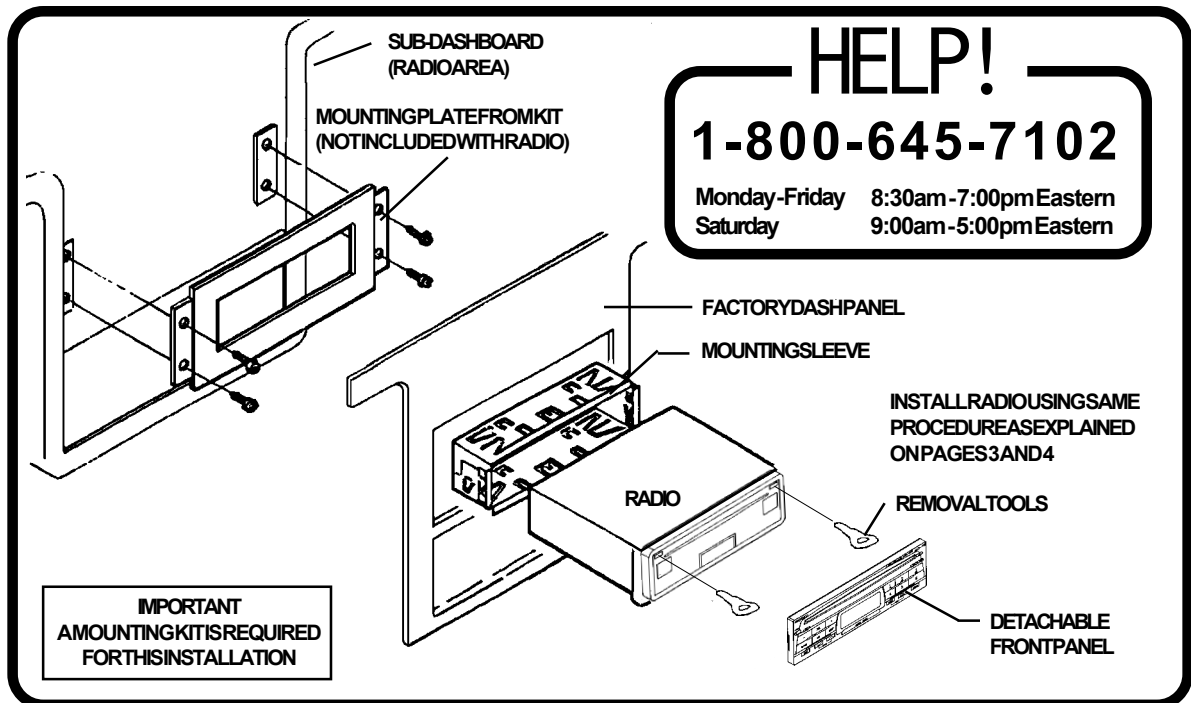
2. FOR PROPER OPERATION OF THE CD PLAYER, THE CHASSIS MUST BE WITHIN 20° OF HORIZONTAL. MAKE SURE THE UNIT IS MOUNTED WITHIN THIS LIMITATION.

1. Remove Existing Radio:

- A. Remove existing radio dash trim panel surrounding the radio opening. This panel is usually secured by screws and/or snap-in clips.
- B. Remove the screws used to secure radio to the sub-dashboard.
Helpful Hint: If you do not have an existing radio, you will find the radio opening is covered by a disposable cover plate.
- C. Pull the radio forward to access the wiring and antenna cables plugged into the rear of the chassis.
- D. Un-plug the wiring harness(es) and antenna cable and remove the radio.

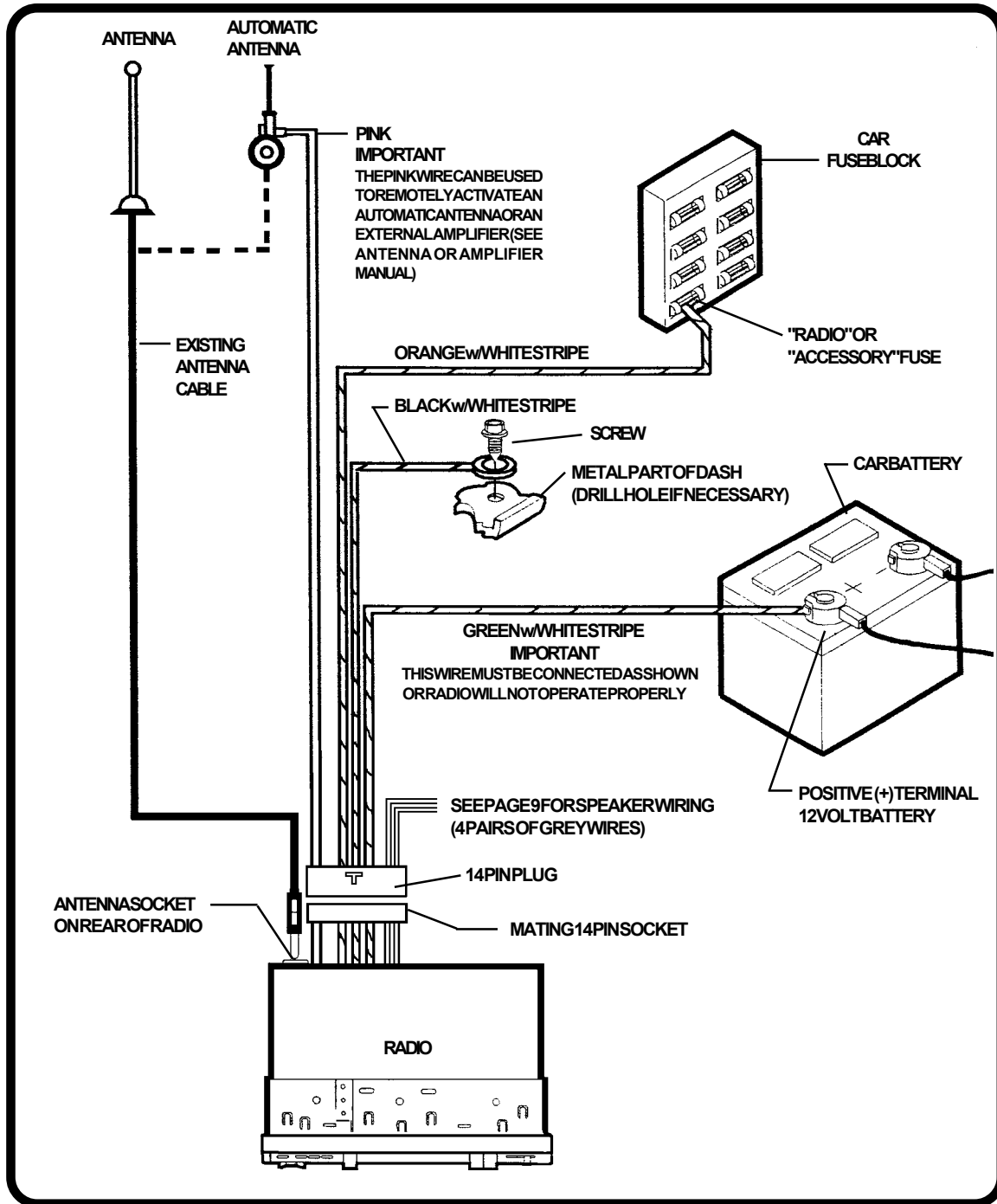
2. Install the New Radio:

- A. If a kit is not required, follow the instructions on pages 3 and 4. If a kit is required, follow the instructions included with the kit and secure the sleeve from the radio to the mounting plate from the kit as explained on page 3.
- B. Install the sleeve/mounting plate assembly to the sub-dashboard as per the instructions with the installation kit.
- C. Replace the dashboard trimpanel.
- D. Following the instructions of steps 4 and 5 on page 4, carefully wire the radio and complete installation into the mounting sleeve.



RADIO WIRING

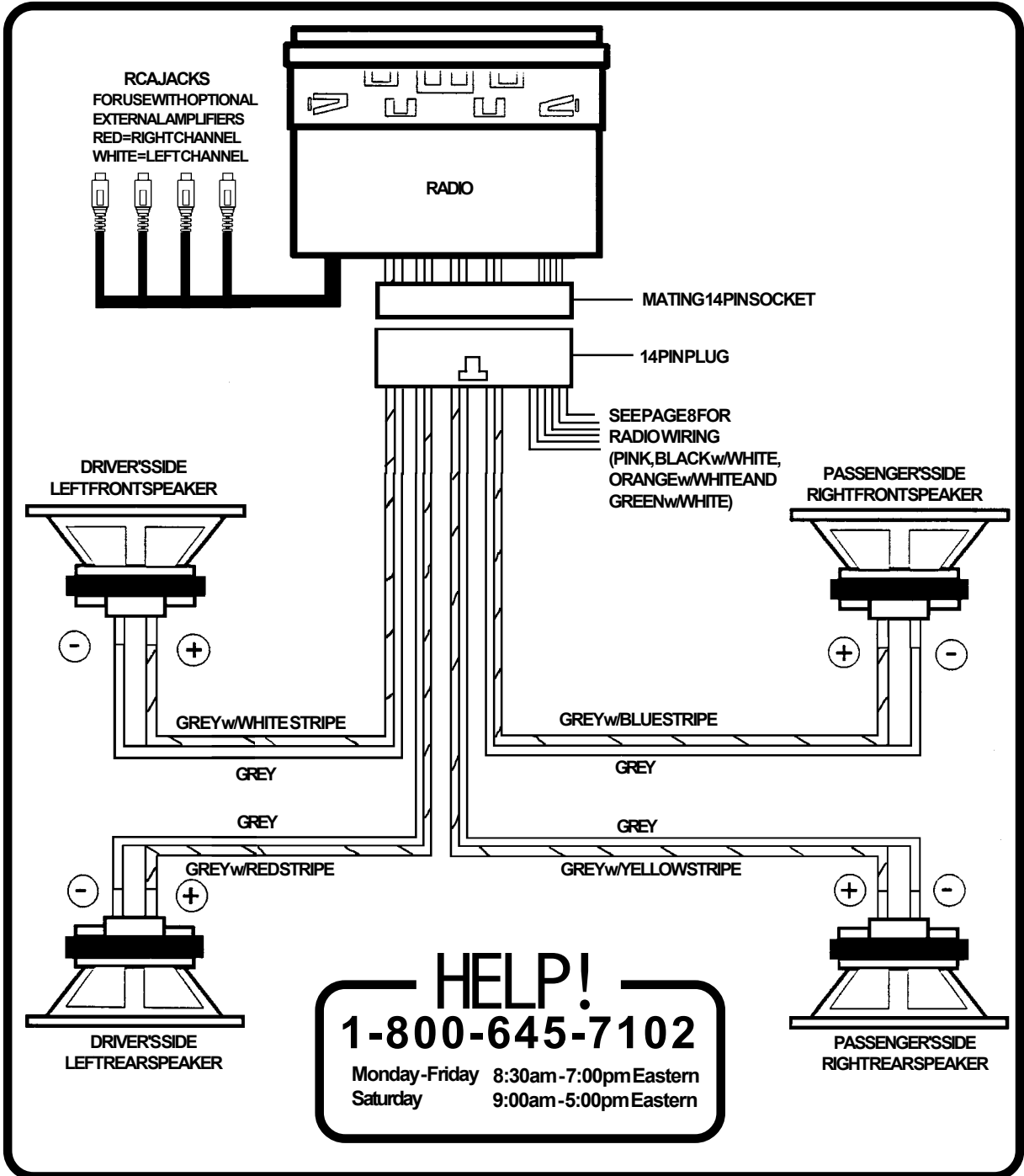
REFER TO PAGE 9 FOR SPEAKER WIRING



SPEAKER WIRING
 REFERTOPAGE8
 FORDRADIO WIRING

WARNING!

THEAMPLIFIERSINTHISRADIOARE**ONLY**DESIGNEDFORUSEWITH4SPEAKERS.
NEVERCOMBINE(BRIDGE)OUTPUTSFORUSEWITH2SPEAKERS.
NEVERGROUNDNEGATIVESPEAKERLEADSTOCHASSISGROUND.
 FAILURETOWIREEXACTLYASSHOWNBELOWMAYCAUSEELECTRICALLDAMAGETOTHERADIO.



OPERATING INSTRUCTIONS

**1 POWER OFF BUTTON**

Press this button to turn the unit off. Use the Radio On/Band Selector button **bl** or CD Mode Selector **Cl** to turn the unit on.

2 VOLUME / LEVEL CONTROLS

To increase the volume level, press the + button. The volume will increase and the level will be shown by the bars under the "VOL" indication on the display panel. To increase the volume quickly, keep the button pressed. To decrease the volume level, press the - button. Keep the button pressed to decrease the volume quickly. The display will automatically return to the normal indication 5 seconds after the last volume adjustment or when another function is activated. These controls are also used in conjunction with the Select button **3** to adjust the treble, bass, balance and fader levels as described in **4**, **5**, **6**, and **7**.

3 SELECT BUTTON (SEL)

This button is used to select the audio function (volume, bass, treble, balance or fade) to be adjusted using the Level Control **2**. Pressing the Select button once will set the unit for bass adjustment ("BAS" will appear on the display panel). Pressing the button additional times will select

treble adjustment ("TRE" on display panel), balance ("BAL"), fader ("FAD"), and volume ("VOL"). The display will return to the normal indication 5 seconds after the last adjustment or when another function is activated.

4 BASS CONTROL

To adjust the bass level, first select the Bass mode by pressing the Select button **3** until the "BAS" indication appears on the display panel. Within 5 seconds of choosing the Bass mode, press the + or - buttons of the Level Control **2** to adjust the bass response as desired. The bass level will be shown by the bars on the display panel from a minimum of -----v to a maximum of v----- (a single bar in the center of the display represents flat response). The display will automatically return to the normal indication 5 seconds after the last adjustment or when another function is activated.

5 TREBLE CONTROL

To adjust the treble level, first select the Treble mode by pressing the Select button **3** until the "TRE" indication appears on the display panel. Within 5 seconds of choosing the Treble mode, press the + or - buttons of the Level Control **2** to

adjust the treble response as desired. The treble level will be shown by the bars on the display panel from a minimum of $\text{----}\nabla$ to a maximum of $\nabla\text{----}$ (a single bar in the center of the display represents flat response). The display will automatically return to the normal indication 5 seconds after the last adjustment or when another function is activated.

6 LEFT/RIGHT BALANCE CONTROL

To adjust the left-right speaker balance, first select the Balance mode by pressing the Select button **3** until the "BAL" indication appears on the display panel. Within 5 seconds of choosing the Balance mode, press the - button of the Level Control **2** to adjust the stereo balance to the left channel speakers or the + button of the control to adjust it to the right channel speakers. The balance position will be shown by the bars on the display panel from $\text{L----}\nabla$ (full left) to $\nabla\text{----R}$ (full right). When the volume level between the left and right speakers is equal, $\text{L } \nabla \text{ R}$ will be shown on the display panel. The display will automatically return to the normal indication 5 seconds after the last adjustment or when another function is activated.

7 FRONT/REAR FADER CONTROL

To adjust the front-rear speaker balance, first select the Fader mode by pressing the Select button **3** until the "FAD" indication appears on the display panel. Within 5 seconds of choosing the Fader mode, press the - or the + buttons of the Level Control **2** to adjust the front-rear speaker levels as desired. The fader position will be shown by the bars on the display panel from $\text{R----}\nabla$ (full rear) to $\nabla\text{----F}$ (full front). When the volume level between the front and rear speakers is equal, $\text{R } \nabla \text{ F}$ will be shown on the display panel. The display will automatically return to the normal indication 5 seconds after the last adjustment or when another function is activated.

8 LOUDNESS CONTOUR

When listening to music at low volume levels, this feature will boost the bass and treble ranges to compensate for the characteristics of human hearing. Press the button to activate this feature as indicated by "LOUD" on the display panel. Pressing the button again will de-activate the function and "LOUD" will disappear from the display.

9 AUDIO MUTE

This button is used to mute the volume from the system. By pressing the button, the indication "MUTE" will appear on the display panel and the volume will be muted. When in the Mute mode, the Volume/Level Controls **2** and Select button **3** will be disabled. Press the Mute button again to return to the volume level setting in use before the Mute function was activated.

bl RADIO ON AM/FM BAND SELECTOR

Press this button to turn the radio on.

During radio play, each time the button is pressed, the radio band changes. The indications "AM1", "AM2", "FM1", "FM2", or "FM3" will appear on the display panel according to your selection.

During CD play, pressing this button will change to radio operation without ejecting the disc.

bm & bn MANUAL UP/DOWN TUNING (∇)
To manually select a radio station, momentarily press the Up Tuning (\nearrow) button **bm** to advance the unit one digit higher or the Down Tuning (\searrow) button **bn** to tune downward. Continue to press either button to tune the radio rapidly in the selected direction.

bo AUTOMATIC UP SEEK TUNING (\blacktriangleright)

bp AUTOMATIC DOWN SEEK TUNING (\blacktriangleleft)

Pressing either button will activate the Automatic Seek Tuning function in the selected direction. The radio will seek the next available station and stop at that frequency. The Seek function can also be stopped by pressing the button again or activating any other tuning function.

bq AUTO-STORE TUNING (AS) PRE-SET SCAN TUNING (PS)

Press this button momentarily to scan the 6 stations in the pre-set memories of the band in use. The unit will stop at each pre-set station for 5 seconds before continuing to the next pre-set station (the pre-set number on the display panel will flash during Pre-Set Scan operation). Press the button again momentarily to stop Pre-Set Scan operation and remain on the selected frequency.

Pressing the button for longer than 2 seconds will activate the Auto-Store Tuning feature. The radio will automatically scan the band in use and enter strong stations into the pre-set memory positions for that band. If you have already set the pre-set memories of that band to your favorite stations, activating the Auto-Store Tuning feature will erase those stations and enter the new strong stations. This feature is most useful when travelling in a new area where you are not familiar with the local stations.

br STATION PRE-SET MEMORIES

To set any of the 6 pre-set memory buttons, use the following procedure:

1. Turn the unit on and select the desired band.
2. Select the first station to be pre-set using the Manual Up/Down **bm** & **bn** or Automatic Up/Down Seek Tuning functions **bo** & **bp**.
3. Press the pre-set button to be set and continue to hold the button in. The volume will be momentarily muted and then return and the pre-set number will appear on the display panel. The station is now set into the memory of that pre-set button and can be re-called at any time by momentarily pressing that button.
4. Repeat the above procedure for the remaining 5 pre-sets on the band in use and for the other 4 bands of the unit.

bs LOCAL/DISTANT - FM STEREO/MONO SELECTOR (MO/LO)

This button is used to select the strength of the signals (Local or Distant) at which the radio will stop during Automatic Seek Tuning on the AM and FM bands as well as FM Stereo or Mono reception modes.

Press the button to select the Local setting ("LOC"

will appear on the display panel) and only strong (local) stations will be received during Automatic Seek Tuning. Pressing the button again will select the Distant setting ("LOC" will disappear from the display panel) and the radio will stop at a wider range of signals, including weaker (more distant) stations.

During FM radio operation, this button is used to select mono or stereo reception of the broadcast signal. Under normal reception conditions, the unit should be left in the stereo mode, as indicated by "ST" on the display panel when listening to an FM stereo signal. If the stereo signal is too weak for comfortable listening, press the button to switch to mono reception (the "ST" will disappear from the display panel and "MONO" will appear). To return to the stereo reception mode, press the button again so that the "MONO" indication disappears and the "ST" indication returns.

bt LIQUID CRYSTAL DISPLAY PANEL

The Liquid Crystal Display (LCD) panel displays the frequency, time, and activated functions.

NOTE: It is a characteristic of LCD panels that, if subjected to cold temperatures for an extended period of time, they may take longer to illuminate than under normal conditions. In addition, the visibility of the numbers on the LCD may slightly decrease. The LCD read-out will return to normal when the temperature increases to a normal range.

bu DISCSLOT

With the label surface facing up, gently insert the disc into the slot until the soft-loading mechanism engages and disc play begins. The **DISC** indication, track number and elapsed time will appear on the display panel.

NOTE: This unit is designed for play of standard 5" (12cm) Compact Discs ONLY. Do not attempt to use 3" (8cm) CD-Singles in this unit, either with or without an adaptor, as damage to the player and/or disc can occur. Such damage will not be covered by the Warranty on this product.

cl CD MODE SELECTOR (CD)

Press this button to turn on the unit if a disc is already loaded in the player.

When listening to radio with a disc loaded in the unit (**DISC** on the display panel), press this button to return to disc play mode from the point at which play was stopped.

cm FORWARD TRACK SELECT (▶▶)**cn** BACKWARD TRACK SELECT (◀◀)

The Track Select functions are used to quickly access the beginning of a particular track. Each time the Forward Track Select (▶▶) button is pressed, the next higher track number will be selected as shown on the display panel. Similarly, each time the Backward Track Select (◀◀) button is pressed, the next lower track number will be selected as shown on the display panel.

co & cp CUE/REVIEW FUNCTIONS (X/∧)

High-speed audible search to any section of the disc can be made by the Cue and Review functions. Press and hold the Cue button (∧) to advance rapidly in the forward direction or the Review button (∨) to advance rapidly in the backward direction. During either function, the elapsed time within each track will automatically be shown on the display panel.

cq INTRO-SCAN SELECTOR (INT)

During disc play, press this button to play the first 10 seconds of each track on the disc ("INTRO" will appear on the display panel). When a desired track is reached, press the Intro-Scan button **cq** again to cancel the function and play of the selected track will continue. Intro-Scan mode will also be cancelled by activating the Repeat Play **cr** or Random Play **cs** functions.

cr REPEAT PLAY SELECTOR (RPT)

During disc play, press this button to repeat the play of the selected track ("RPT" will appear on the display panel). Play of the track will continue to repeat until the button is pressed again and the "RPT" indication disappears from the display panel. Repeat Play mode will also be cancelled by activating the Intro-Scan **cq** or Random Play **cs** functions.

cs RANDOM PLAY SELECTOR (RDM)

During disc play, press this button to play the tracks on the disc in a random shuffled order ("RANDM" will appear on the display panel). In Random Play mode, the Forward Track Select **cm** will also select tracks in the random order instead of the normal progression. Backward Track Select **cn** will only go back to the beginning of the track in play. The Random Play mode can be cancelled by pressing the button again ("RANDM" indication will disappear from the display panel) or by activating the Intro-Scan **cq** or Repeat Play **cr** functions.

ct DISC EJECT (▲)

Disc play is stopped, the disc is ejected and the unit will change to radio operation by pressing this button. If the disc is not removed from the unit within 10 seconds of being ejected, it will automatically be re-loaded into the unit to prevent damage (**DISC** will appear on the display panel). Pressing the CD Mode Selector button **cl** again before removing the disc will also re-load the disc into the unit.

cu TIME/FREQUENCY DISPLAY SELECTOR (DISP)

Press this button to call the time display on the incorporated quartz clock. Press the button again to return to radio frequency or disc display.

dl THEFT-DETERRENT L.E.D.

Located on the chassis behind the front panel, a light-emitting diode (L.E.D.) will flash when the panel is removed. The flashing light serves as a visual warning to the would-be thief that the unit has been disabled by removal of the front panel.

dm RE-SET BUTTON

A Re-Set button is located on the front of the chassis (front panel must be removed to access the button). The re-set circuitry is provided to protect the microprocessor circuitry and should only be activated under the following circumstances as it will erase the time and radio station pre-set memories.

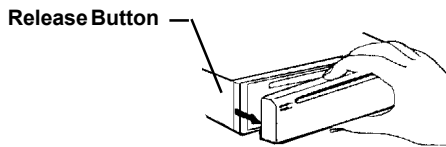
1. Upon initial installation after all wiring is completed.
2. After the position of the frequency step switch on the bottom of the chassis has been changed.

3. If there is a malfunction of any of the switches on the unit or of the CD player, pressing the Re-Set button may clear the system and return to normal operation.

dn FRONT PANEL RELEASE KNOB

This knob is used to release the mechanism that holds the front panel to the chassis. To detach the front panel, slide the button to the right so that the left side of the panel is released. Grasp the released side and pull it off of the chassis. To re-attach the panel, position the right side of the panel in place first and then press the left side of the panel until the mechanism locks it into place.

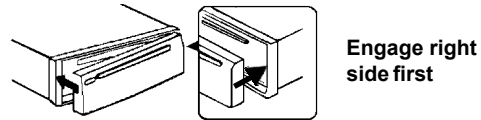
DETACHING THE FRONT PANEL



NOTES ON USE OF FRONT PANEL

1. Make sure the front panel is right-side-up when attaching it to the chassis as it cannot be attached when up-side down.
2. Do not press very hard on the front panel when attaching it to the chassis. No more than light to moderate pressure should be needed.
3. When attaching the front panel, make sure the right side is correctly engaged before pressing the left side to lock it into position.
4. When taking the front panel with you, please use the supplied carrying case to protect the panel from dirt and damage.

ATTACHING THE FRONT PANEL



SETTING THE CLOCK

1. Turn the radio on so that the radio frequency or clock time is shown on the display panel.
2. Press and hold the Time/Frequency Display Selector button **CU** approximately 2 seconds until the time display begins flashing.
3. While continuing to hold the Time/Frequency Display Selector button, press the Down Seek Tuning button (**◀◀ bp**) to adjust the hours and the "PM" indicator and the Up Seek Tuning button (**▶▶ bo**) to adjust the minutes to the correct time.
4. When the correct time is shown on the display panel, release the Time/Frequency Selector button.

ERROR CODES

If a problem should develop while operating the CD player, the following error codes may be displayed on the display panel:

- ER 1:** Indicates the disc is not loading or ejecting properly. Try re-loading or pressing the Eject button again. Check the condition of the disc in use or try another disc.
- ER 2:** Indicates an interface error between the disc mechanism and radio circuitry. Press the Re-Set button **dm** and try again.
- ER 3:** Indicates an error in the laser reading the disc. Eject the disc, make sure it is clean, undamaged, and loaded correctly (label side up). Re-load the disc and check for proper operation or try another disc.
- RST:** Indicates a system error. Press the Re-Set button **dm** and try again.
- ROM:** Indicates that a computer CD-ROM has been loaded into the unit. Eject the disc and load an audio CD.

If the suggested measures do not solve the problem, contact an approved warranty station near you for further assistance.

FREQUENCY STEP SWITCH

This unit is supplied pre-set at the factory for reception of North American radio stations (10 KHz. channel spacing on AM/200 KHz. spacing on FM). Use in other areas in the world may require different channel spacing. A switch on the bottom of the chassis allows selection of 9 KHz. AM/50 KHz. FM channel spacing. Slide the switch to the appropriate position using a small screwdriver blade. The Re-Set button **dm** on the front of the chassis must then be pressed to activate the change of channel spacing.

SPECIFICATIONS

Size:	7" W x 2" H x 6-1/4" D 178 mm x 50 mm x 160 mm
Operating Voltage:	12 volts DC, negative ground
Output Power:	64 watts maximum (7 watts x 2 channels-front 25 watts x 2 channels-rear)
Output Wiring:	Floating-ground type designed for 4 speaker use. CANNOT be used with 2 speakers. RCA low-level outputs.
Output Impedance:	Compatible with 4-8 ohm speakers.
Low-Level Output:	500 mv.
Tuning Range:	AM: 530-1,720 KHz. (10 KHz. step) 522-1,620 KHz. (9 KHz. step) FM: 87.5-107.9 MHz. (200 KHz. step) 87.5-108.0 MHz. (50 KHz. step)
Sensitivity:	AM: 20 uv. FM: 1.5 uv.
FM Stereo Separation:	30 dB
CD Frequency Response:	20-20,000 Hz. \pm 2dB
CD Signal/Noise Ratio:	>70 dB
CD Channel Separation:	>60 dB
CD Dynamic Range:	>80 dB
CD Distortion:	<0.1% T.H.D.

*Specifications are subject to change without notice.

TROUBLESHOOTING

PROBLEM	PROBABLE CAUSE	CHECK FOLLOWING
Unit completely inoperative no lights, no sound	Incorrect power connection	Orange/White stripe wire to +12V ACC. and Green/White stripe wire to +12V battery
	Blown fuse	Check fuses in wires listed above and check car fuse block
Unit will not keep time or radio station memory	Incorrect power connection	Green/White stripe wire is not connected to a "live" +12V battery source
	Blown fuse	Check fuse in Green/White stripe wire and at car's fuse block
Noise on both radio and CD	Poor ground	Check Black/White stripe wire for proper grounding
	Dirty or corroded battery posts	Clean and tighten connection
	If problem also existed with previous radio you removed	Consult your local garage mechanic-car may need tune-up or noise filter
Noise on radio only	Antenna	Check that antenna base is grounded. Test with antenna disconnected. If noise goes away, replace antenna
Poor FM reception and almost no AM reception	Antenna	Replace antenna and antenna cable
No sound on one speaker (both radio and CD)	Wiring	Check speaker wiring
	Speaker	Test with good speaker
	Control Settings	Check balance and fader controls
Poor sound-new unit	Speakers or speaker wiring	Check rating of speakers for sufficient power capacity
		Check that speakers are in good condition
		Check that none of the speaker wires are grounded
		Check speaker wiring
CD sound skips	Installation angle is greater than 20°	Adjust the mounting angle to less than 20°
	Disc player is not installed correctly	Make sure disc player is mounted securely
	Dirty, scratched, or defective disc	Clean disc if dirty; replace if badly scratched or defective
	Condensation on laser lens	Allow condensation to dry, then try again


CARE AND MAINTENANCE

The radio section of your new sound system does not require any maintenance. We recommend you keep this manual for reference on the many features found in this unit as well as how to set the clock. The compact disc player section also requires no routine maintenance, but proper understanding of its use and handling will help you obtain maximum enjoyment of its capabilities. The following points should be observed:

- When cleaning the interior of the vehicle, do not get water or cleaning fluids on the unit.
- The CD player is a precision instrument and will not operate properly in extreme hot or cold. In case of such conditions, wait until the interior temperature of the vehicle reaches a normal temperature before using the player.
- If the temperature inside the player gets too hot, a protective circuit will automatically stop play of the disc. In this case, allow the unit to cool off before operating the player again.
- Never insert anything other than a 5" (12 cm) compact disc into the player as the mechanism can be damaged by foreign objects.
- Do not attempt to use 3" (8 cm) CD-Single discs in this unit, either with or without an adaptor, as damage to the player and/or disc may occur. Such damage will not be covered by the Warranty on this product.
- When not using the disc player, always remove the compact disc. Do not leave an ejected disc sitting in the disc slot as this can expose it to sunlight and other causes of damage.
- Do not attempt to open the unit chassis. There are no user serviceable parts or adjustments inside.
- When the vehicle warms up during cold weather or under damp conditions, moisture may condense on the lens of the disc player. Should this occur, the player will not operate properly until the moisture has evaporated.
- The unit is designed with a vibration dampening CD mechanism to minimize interruption of disc play due to normal vibration in a moving vehicle. When driving on very rough roads, however, occasional sound skips may occur. This will not scratch or damage the disc and normal play will resume when the rough conditions cease.

HANDLING COMPACT DISCS

Dirt, dust, scratches, and warpage can cause skips in the playback and deterioration of sound quality. Please follow these guidelines to take care of your compact discs:

- Use only compact discs with the  mark.
- Fingerprints, dust, and dirt should be carefully wiped off the disc's playing surface (shiny side) with a soft cloth.
- Wipe in a straight motion from the inside to the outside of the disc.
- Never use chemicals such as record sprays, household cleaners or thinner to clean compact discs. Such chemicals can irreparably damage the disc's surface.
- Discs should be kept in their storage cases when not in use.
- Do not expose discs to direct sunlight, high temperatures or high humidity for extended periods.
- Do not stick paper, tape, or labels on the disc surfaces nor write on them with any type of marker.

12 MONTH LIMITED WARRANTY

Applies to In-dash radios, radio/tape player and radio/CD player combinations, and CD Changers.

AUDIOVOX CORPORATION (the Company) warrants to the original retail purchaser of this product that should this product or any part thereof, under normal use and conditions, be proven defective in material or workmanship within 12 months from the date of original purchase, such defect(s) will be repaired or replaced with new or reconditioned product (at the Company's option) without charge for parts and repair labor.

To obtain repair or replacement within the terms of this Warranty, the product is to be delivered with proof of warranty coverage (e.g. dated bill of sale), specification of defect(s), transportation prepaid, to an approved warranty station. For the location of the nearest warranty station to you, call toll-free to our control office:

IN U.S.A. 1-800-243-1311
IN CANADA 1-800-461-1772

This Warranty does not extend to the elimination of car static or motor noise, to correction of antenna problems, to costs incurred for installation, removal, or reinstallation of the product, or damage to tapes, compact discs, speakers, accessories, or vehicle electrical systems.

This Warranty does not apply to any product or part thereof which, in the opinion of the Company, has suffered or been damaged through alteration, improper installation, mishandling, misuse, neglect, accident, or by removal or defacement of the factory serial number/bar code label(s). THE EXTENT OF THE COMPANY'S LIABILITY UNDER THIS WARRANTY IS LIMITED TO THE REPAIR OR REPLACEMENT PROVIDED ABOVE AND, IN NO EVENT, SHALL THE COMPANY'S LIABILITY EXCEED THE PURCHASE PRICE PAID BY PURCHASER FOR THE PRODUCT.

This Warranty is in lieu of all other express warranties or liabilities. ANY IMPLIED WARRANTIES, INCLUDING ANY IMPLIED WARRANTY OF MERCHANTABILITY, SHALL BE LIMITED TO THE DURATION OF THIS WRITTEN WARRANTY. ANY ACTION FOR BREACH OF ANY WARRANTY HEREUNDER INCLUDING ANY IMPLIED WARRANTY OF MERCHANTABILITY MUST BE BROUGHT WITHIN A PERIOD OF 30 MONTHS FROM DATE OF ORIGINAL PURCHASE. IN NO CASE SHALL THE COMPANY BE LIABLE FOR ANY CONSEQUENTIAL OR INCIDENTAL DAMAGES FOR BREACH OF THIS OR ANY OTHER WARRANTY, EXPRESS OR IMPLIED, WHATSOEVER. No person or representative is authorized to assume for the Company any liability other than expressed herein in connection with the sale of this product.

Some states do not allow limitations on how long an implied warranty lasts or the exclusion or limitation of incidental or consequential damage so the above limitations or exclusions may not apply to you. This Warranty gives you specific legal rights and you may also have other rights which vary from state to state.

U.S.A. : AUDIOVOX CORPORATION, 150 MARCUS BLVD., HAUPPAUGE, NEW YORK 11788 1-800-243-1311

CANADA: CALL 1-800-461-1772 FOR LOCATION OF WARRANTY STATION SERVING YOUR AREA

AUSTRALIA: AUDIOVOX PACIFIC PTY LTD., DOYLE AVENUE, UNANDERRA, NSW 2526 (042) 718-555

NEW ZEALAND: AUDIOVOX PACIFIC PTY LTD., UNIT B, 6 HENDERSON PLACE, PENROSE, AUCKLAND (09) 645-720

AUDIOVOX®

© 1996 Audiovox Corporation Hauppauge, NY 11788

Printed in China

Form No. 128-4785