



EN

# TME-M770

## 6.5-INCH TOUCH PANEL WIDE LCD MONITOR

- **OWNER'S MANUAL**  
Please read before using this equipment.
- **MODE D'EMPLOI**  
Veuillez lire avant d'utiliser cet appareil.
- **MANUAL DE OPERACIÓN**  
Léalo antes de utilizar este equipo.

FR

ES

**ALPINE ELECTRONICS, INC.**

1-1-8 Nishi Gotanda,  
Shinagawa-ku, Tokyo 141-0031, Japan  
Phone 03-5496-8231

**ALPINE ELECTRONICS OF AMERICA, INC.**

19145 Gramercy Place, Torrance,  
California 90501, U.S.A.  
Phone 1-800-ALPINE-1 (1-800-257-4631)

**ALPINE ELECTRONICS OF CANADA, INC.**

7300 Warden Ave., Suite 203, Markham,  
Ontario L3R 9Z6, Canada  
Phone 1-800-ALPINE-1 (1-800-257-4631)

**ALPINE ELECTRONICS OF AUSTRALIA PTY. LTD.**

6-8 Fiveways Boulevard Keysborough,  
Victoria 3173, Australia  
Phone 03-9769-0000

**ALPINE ELECTRONICS GmbH**

Frankfurter Ring 117, 80807 München,  
Germany  
Phone 089-32 42 640

**ALPINE ELECTRONICS OF U.K., LTD.**

Fletchamstead Highway,  
Coventry CV4 9TW. U.K.  
Phone 0870-33 33 763

**ALPINE ELECTRONICS FRANCE S.A.R.L.**

(RCS PONTOISE B 338 101 280)  
98, Rue de la Belle Etoile, Z.I. Paris  
Nord II, B.P. 50016, 95945, Roissy  
Charles de Gaulle Cedex, France  
Phone 01-48 63 89 89

**ALPINE ITALIA S.p.A.**

Viale C. Colombo 8,  
20090 Trezzano Sul Naviglio (MI), Italy  
Phone 02-48 47 81

**ALPINE ELECTRONICS DE ESPAÑA, S.A.**

Portal de Gamarra 36, Pabellón, 32  
01013 Vitoria (Alava) - APDO 133, Spain  
Phone 945-283588



# Contents

## Operating Instructions

### **WARNING**

<b>WARNING</b> .....	<b>2</b>
<b>CAUTION</b> .....	<b>3</b>
<b>PRECAUTIONS</b> .....	<b>3</b>

### **Basic Operation**

Screen Display ON/OFF .....	4
Adjusting the Volume .....	4
Switching the Source .....	4

### **Other Useful Features**

Setup Operation .....	5
VISUAL EQ™ Operation .....	7
Changing to Another Product's Source .....	8
Operating Other Products .....	9

### **Information**

In Case of Difficulty .....	11
Specifications .....	12

## Installation and Connections

Warning .....	13
Caution .....	13
Precautions .....	14
Installation .....	15
Connections .....	18

### **LIMITED WARRANTY**

# **WARNING**

## **WARNING**

**This symbol means important instructions. Failure to heed them can result in serious injury or death.**

### **DO NOT OPERATE ANY FUNCTION THAT TAKES YOUR ATTENTION AWAY FROM SAFELY DRIVING YOUR VEHICLE.**

Any function that requires your prolonged attention should only be performed after coming to a complete stop. Always stop the vehicle in a safe location before performing these functions. Failure to do so may result in an accident.

### **KEEP THE VOLUME AT A LEVEL WHERE YOU CAN STILL HEAR OUTSIDE NOISE WHILE DRIVING.**

Failure to do so may result in an accident.

### **MINIMIZE DISPLAY VIEWING WHILE DRIVING.**

Viewing the display may distract the driver from looking ahead of the vehicle and cause an accident.

### **DO NOT DISASSEMBLE OR ALTER.**

Doing so may result in an accident, fire or electric shock.

### **USE THIS PRODUCT FOR MOBILE 12V APPLICATIONS.**

Use for other than its designed application may result in fire, electric shock or other injury.

### **KEEP SMALL OBJECTS SUCH AS BATTERY OUT OF THE REACH OF CHILDREN.**

Swallowing them may result in serious injury. If swallowed, consult a physician immediately.

### **USE THE CORRECT AMPERE RATING WHEN REPLACING FUSES.**

Failure to do so may result in fire or electric shock.

### **DO NOT WATCH VIDEO WHILE DRIVING.**

Watching the video may distract the driver from looking ahead of the vehicle and cause an accident.

### **INSTALL THE PRODUCT CORRECTLY SO THAT THE DRIVER CANNOT WATCH TV/VIDEO UNLESS THE VEHICLE IS STOPPED AND THE EMERGENCY BRAKE IS APPLIED.**

It is dangerous (and illegal in many states) for the driver to watch TV/Video while driving a vehicle. Installing this product incorrectly enables the driver to watch TV/Video while driving. This may cause a distraction, preventing the driver from looking ahead, thus causing an accident. The driver or other people could be severely injured.

## CAUTION

This symbol means important instructions. Failure to heed them can result in injury or material property damage.

### **HALT USE IMMEDIATELY IF A PROBLEM APPEARS.**

Failure to do so may cause personal injury or damage to the product. Return it to your authorized Alpine dealer or the nearest Alpine Service Center for repairing.

## PRECAUTIONS

### **Temperature**

Be sure the temperature inside the vehicle is between +45°C (+113°F) and 0°C (+32°F) before turning your unit on.

### **Fuse Replacement**

When replacing the fuse(s), the replacement must be of the same amperage as shown on the fuse holder. If the fuse(s) blows more than once, carefully check all electrical connections for shorted circuitry. Also have your vehicle's voltage regulator checked.

### **Maintenance**

If you have problems, do not attempt to repair the unit yourself. Return it to your Alpine dealer or the nearest Alpine Service Station for servicing.

### **Installation Location**

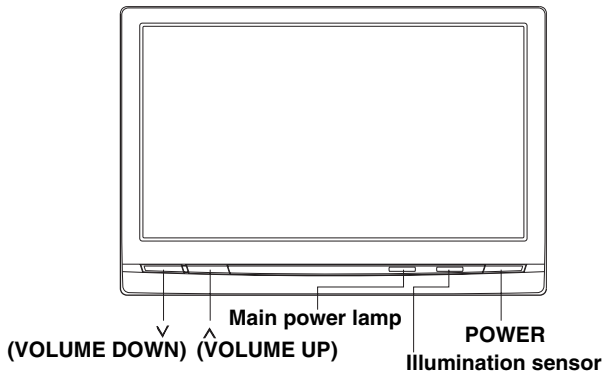
Make sure the TME-M770 will not be exposed to:

- Direct sun and heat
- High humidity
- Excessive dust
- Excessive vibrations
- After turning the system off, a slight ghost of the image will remain temporarily. This is an effect peculiar to LCD technology and is normal.
- Under cold temperature conditions, the screen may lose contrast temporarily. After a short warm-up period, it will return to normal.

### **About the Touch Switch**

- To protect the display, lightly touch the screen with the tip of your finger.
- If there is no response from the switch, then move your finger away from the screen and touch again.

# Basic Operation



## Screen Display ON/OFF

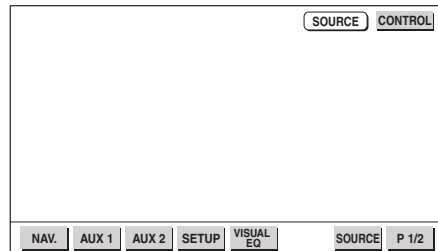
- 1 Press the **POWER** button.
- 2 To turn off the POWER, press the **POWER** button again.
  - If properly connected, the monitors main POWER will turn off when the vehicle's ignition switch is off. If the main power lamp illuminates in the STAND BY mode, the vehicle's battery may be discharged.
  - After turning the system off, a slight ghost of the image will remain temporarily. This is an effect peculiar to LCD technology and is normal.
  - Under cold temperature conditions, the screen may lose contrast temporarily. After a short warm-up period, it will return to normal.

## Adjusting the Volume

- 1 Adjust the volume level by pressing the ∨ or ∧ button.

## Switching the Source

- 1 Touch the option part of the display to display each source operation screen or source selection screen.
- 2 If each source operation screen is displayed, touch **CONTROL** on the upper right side of the screen to display the source selection screen.
  - The source selection screen is displayed by touching "CONTROL" as described below, depending on the current source.
    - When touched while the current source is GAME, AUX 1 or AUX 2 : Source selection screen
    - When touched while the current source is EXT.DVD: EXT.DVD operation screen → Source selection screen
    - When touched while the current source is TV: TV operation screen → Source selection screen
    - When touched while the current source is LINK: AUDIO operation screen → EXT.DVD operation screen → TV operation screen → Source selection screen
- 3 Touch the source (NAV. / AUX 1/ AUX 2) you want to view.

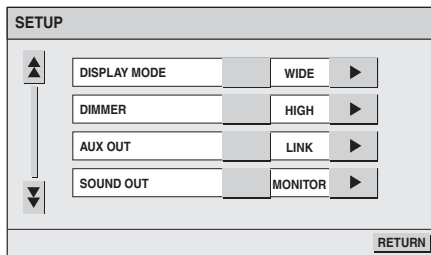


- The AUX 1, AUX 2 source name changes to the selected mode name in the next item "Setup Operation" - "⑥ External input name setting". Also, "NAV." is only displayed when "⑦ Navigation Settings" in following section, "Setup Operation", is set to "ON".
- The operation screens for the different sources as well as the source selection screen turn off automatically if no operation is performed for 5 seconds.

# Other Useful Features

## Setup Operation

- 1 Touch the option part of the display to display each source operation screen or source selection screen.
- 2 If each source operation screen is displayed, touch **CONTROL** on the upper right side of the screen to display the source selection screen.
- 3 Touch **SETUP**.
- 4 Select the desired setting item screen by touching ▲ or ▼.
- 5 Change the setting by touching ◀ or ▶.



- ① Display mode selection for the display (DISPLAY MODE)



WIDE

Normal images are expanded uniformly in the horizontal direction and are displayed over the entire screen.



ZOOM

Normal images are expanded in the horizontal direction and are displayed over the entire screen. The expansion ratio increases towards the right and left edges of the screen.



CINEMA

Normal images are expanded in the horizontal and vertical directions. The top and bottom of the image are cut off. This mode is suited for 16:9 cinema size images.



NORMAL

Normal image (4:3)

- ② Dimmer adjustment (DIMMER)

HIGH : The backlighting is set to the value adjusted at "DIMMER HIGH LEVEL".

LOW : The backlighting is set to the value adjusted at "DIMMER LOW LEVEL".

AUTO: Display illumination can be adjusted automatically depending on the brightness in the car. (Within the range of DIMMER HIGH LEVEL and DIMMER LOW LEVEL)

Continued

# Other Useful Features

## ③ Rear monitor select function (AUX OUT)

**LINK** : Output the video/audio portion shown on the main monitor, to the rear monitor.

**AUX1** : Output the AUX1 video/audio to the rear monitor.

**AUX2** : Output the AUX2 video/audio to the rear monitor.

## ④ Change sound output (SOUND OUT)

**MONITOR** : Outputs sound through the built-in speakers.

**HEADPHONE** : Outputs sound to headphones if connected.

\*Note that sound will not be output unless the audio output settings are appropriate.

## ⑤ External input sound level adjustment (AUX IN 1 LEVEL/AUX IN 2 LEVEL)

**HIGH** : Sets the sound level at a high level.

**LOW** : Reduces the sound level.

## ⑥ External input name setting (AUX IN 1 MODE/AUX IN 2 MODE)

Select the name from the following list, to be used for the product using the external input mode. This will apply to the touch switch name at source selection time and the source name during playback change.

OFF/TV/EXT.DVD/GAME/AUX 1 (2)/LINK (AUX 1 MODE only)

- Set to "LINK" when an IVA-D300 or VPE-S431 is connected. (Be sure to connect to the "AUX IN 1" connector.)
- Set to "EXT.DVD" when a DVA-5210, DVA-5205, DHA-S680 or the like is connected.
- Set to "TV" if a TV tuner is connected to this product.
- The way the source operation screens and the source selection screen switches when "CONTROL" is touched differs according to the selected mode. (See page 4 "Switching the Source", step 2.)

## ⑦ Navigation settings (NAV. IN)

When the navigation is connected, set to ON.

## ⑧ Dimmer HIGH level adjustment (DIMMER HIGH LEVEL)

Adjusts the HIGH LEVEL (16 (MIN) to 31 (MAX)) of the dimmer.

## ⑨ Dimmer LOW level adjustment (DIMMER LOW LEVEL)

Adjusts the LOW LEVEL (0 (MIN) to 15 (MAX)) of the dimmer.

## ⑩ Touch panel adjustment (SCREEN ALIGNMENT)

Adjust if the LCD display position and touch panel position do not match.

◀◀ : Reset to default settings.

▶ : Changes to adjustment screen. The adjustment method is as follows.

- 1) Touch ▶ from SCREEN ALIGNMENT. The screen changes to the adjustment screen.
- 2) Touch the ✕ mark on the lower left side of the screen. The adjustment screen switches.
- 3) Touch the ✕ mark on the upper right side of the screen. When the adjustment is finished, the screen returns to the SETUP screen.

- If you touch **RETURN** on the adjustment screen, nothing is adjusted and the screen returns to the **SETUP** screen.

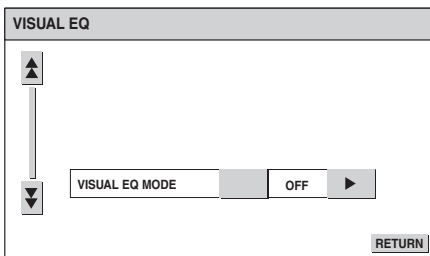
## 6 When the settings are completed, touch **RETURN**.

The screen returns to the source selection screen.



## VISUAL EQ™ Operation

- 1 Touch the option part of the display to display each source operation screen or source selection screen.
- 2 If each source operation screen is displayed, touch **CONTROL** on the upper right side of the screen to display the source selection screen.
- 3 Touch **VISUAL EQ**.
- 4 Select the desired setting by touching ▲ or ▼.
- 5 Change the selected setting by touching ◀ or ▶.



- ① VISUAL EQ mode (manufacturer's settings) selection (VISUAL EQ MODE)
  - OFF : Default setting.
  - NIGHT M. : Suitable for movies with a lot of dark scenes.
  - SOFT : Suitable for movies with computer graphics or animation.
  - SHARP : Suitable for old movies whose resolution is unclear.
  - CONTRAST : Suitable for the latest movies.
  - P.SET-1, 2 : Accesses the preset number stored in step "⑦ Storing".

• To return to the default values after selecting one of the modes between "NIGHT M." and "CONTRAST" then adjusting the image brightness, color density and so on to suit your tastes, set this function to "OFF".

- ② Brightness adjustment (BRIGHT)
 

Allows the brightness (–15 (MIN)~+15 (MAX)) of the picture.
- ③ Color depth adjustment (COLOR)
 

Change depth can be adjusted from –15 (MIN) to +15 (MAX).

\* Adjustment cannot be made in the NAVIGATION (RGB connection) mode.

- ④ Tint tone adjustment (TINT)
 

Tint tone can be adjusted from G15 (G MAX) to R15 (R MAX).

\* Adjustment cannot be made in the NAVIGATION (RGB connection) mode.

- ⑤ Contrast adjustment (CONTRAST)
 

Contrast can be adjusted from –15 (LOW) to +15 (HIGH).

- ⑥ Screen quality adjustment (SHARP)
 

Screen quality can be adjusted from –15 (SOFT) to +15 (HARD).

- ⑦ Storing (USER MEMORY)
 

You can store the settings adjusted in steps ② to ⑥ in the following way.

- 1) Touch ◀ or ▶ from USER MEMORY after adjusting settings ② to ⑥, and select the preset number you want to store in (P.SET-1, 2).
- 2) After selecting the preset No., touch "WRITE".

- P.SET-1, 2 stored here can be accessed from "① VISUAL EQ mode selection".
- If ② to ⑥ are adjusted, VISUAL EQ mode in ① changes to "CUSTOM".

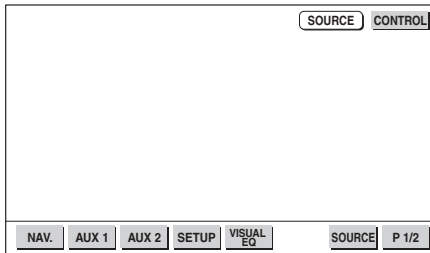
- 6 When setting is completed, touch **RETURN**. The screen changes to the source selection screen.

# Other Useful Features

## Changing to Another Product's Source

When used with touch panel compatible products such as IVA-D300/VPE-S431, sources connected to those products are also selectable.

- 1 Touch the option part of the display to display each source operation screen or source selection screen.
- 2 If each source operation screen is displayed, touch **CONTROL** on the upper right side of the screen to display the source selection screen.
- 3 Touch **SOURCE**.



<When the AUX IN 1 connection destination is IVA-D300 etc.>

Each time you touch "SOURCE", the source changes.

The source depends on the settings and connections of the product used together with the IVA-D300.

Refer to the combined products instructions manuals.

<When the AUX IN 1 connection destination is VPE-S431>

After touching "SOURCE", change the source with the following operation.

- 1) Touch "P 1/2".

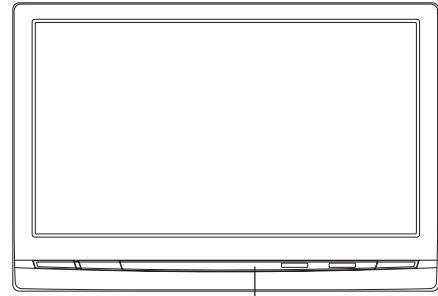
The screen changes to "P 2/2".

- 2) Touch "◀" "▶" "▲" "▼" to select the desired source. Touch "ENTER".

Touch "RETURN" to return to the previous screen.

- When "SETUP" is selected, the setup operation on the VPE-S431 can be performed in the same way as the source selection operation. For details on the setup items, see the VPE-S431's operating instructions.

## Remote Control Sensor



Remote sensor

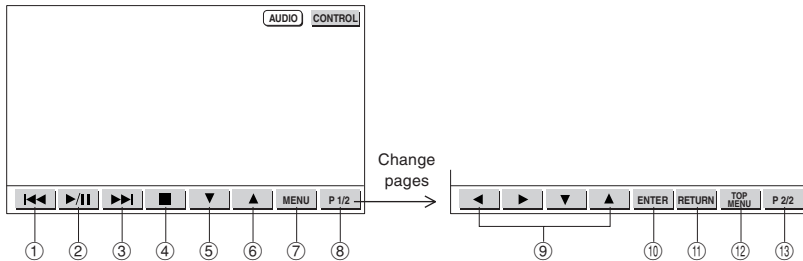
- Receives the remote control signal from connected ALPINE products such as navigation and DVD players.

## Operating Other Products

When the TME-M770 is used in combination with a product designed to be operated from the TME-M770 (IVA-D300, DVA-5210, DHA-S680, etc.), some of the operations on the other product can be performed from the TME-M770. Below are some examples of the operations that can be performed.

### Operating a DVD in the IVA-D300

- 1 Touch any point on the display.  
The "AUDIO" operation screen appears.

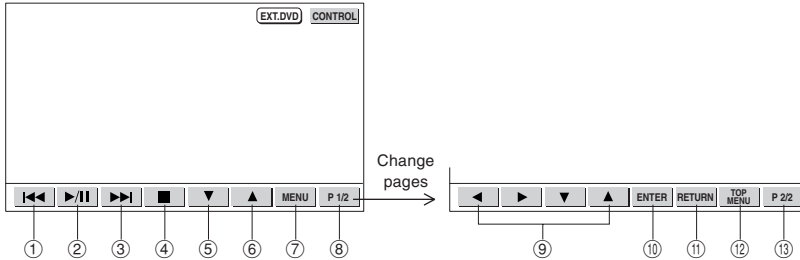


Operation of DVD in IVA-D300		
	Touch	Long touch
①	Play from start of current chapter	2x fast reverse/8x fast reverse after 5 seconds
②	Play/pause	-
③	Play next chapter	2x fast forward/8x fast forward after 5 seconds Slow play (from pause mode)
④	PRE STOP/STOP	STOP
⑤	-	-
⑥	-	-
⑦	Call out DVD menu	-
⑧	Switch page (function guide)	-
⑨	Move menu cursor	-
⑩	Enter (DVD menu)	-
⑪	-	-
⑫	-	Call out DVD top menu
⑬	Switch page (function guide)	-

# Other Useful Features

## Operating the DVA-5210 and the DHA-S680

- 1 Touch the option part of the display.  
The screen changes to the operation screen for each source.
- 2 Touch “CONTROL” on the upper right side of the screen.  
Display the “EXT.DVD” operation screen.



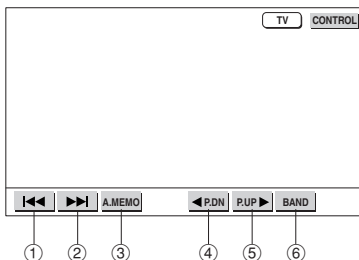
	Operation of a DVD player (DVA-5210)		Operation of a DVD changer (DHA-S680)	
	Touch	Long touch	Touch	Long touch
①	Play from start of current chapter	2x fast reverse/ 8x fast reverse after 5 seconds	Play from start of current chapter	16x fast reverse
②	Play/pause	–	Play	Slow play
③	Play next chapter	2x fast forward/ 8x fast forward after 5 seconds Slow play (from pause mode)	Play next chapter	16x fast forward
④	PRE STOP/STOP	STOP	PRE STOP/STOP	–
⑤	–	–	Switch DISC	–
⑥	–	–	Switch DISC	–
⑦	Call out DVD menu	Call out DVD player setup screen*	Call out DVD menu	Call out DVD changer setup screen*
⑧	Switch page (function guide)	–	Switch page (function guide)	–
⑨	Move menu cursor	–	Move menu cursor	–
⑩	Enter (DVD menu)	–	Enter (DVD menu)	–
⑪	Move back 1 screen (DVD player setup)*	–	Move back 1 screen (DVD changer setup)*	–
⑫	Cue to start of chapter, track or elapsed time	Call out DVD top menu	Cue to start of chapter, track or elapsed time	Call out DVD top menu
⑬	Switch page (function guide)	–	Switch page (function guide)	–

\* Stop mode only

\* Stop mode only

### If a TV is operated (A TV tuner is connected)

- 1 Touch the option part of the display.  
The screen changes to the operation screen for each source.
- 2 Touch “CONTROL” on the upper right side of the screen.  
Display the “TV” operation screen.



	TV Operation	
	Touch	Long touch
①	Channel down	–
②	Channel up	–
③	Auto memory	–
④	Preset channel down	–
⑤	Preset channel up	–
⑥	Change band	–

- When connecting an IVA-D300 to the TME-M770, be sure to connect it to the “AUX IN 1” connector and set the “AUX IN MODE” setting (SETUP) to “LINK”.
- When connecting a DVA-5210, DHA-S680 etc., to the TME-M770, set the “AUX IN MODE” setting (SETUP) to “EXT.DVD”.
- When connecting a TV tuner to the TME-M770, set the “AUX IN MODE” setting (SETUP) to “TV”.
- The TME-M770 and other components connected to it can be operated with a separately sold remote control unit. For instructions on operations using the remote control unit, see the remote control unit’s operating instructions. When operating an IVA-D300, see the “Rear Entertainment Function” section of the IVA-D300’s operating instructions.
- Depending on the connected component, some functions and operations may differ. Also refer to the operating instructions of the connected component.

# Information

## In Case of Difficulty

If you encounter a problem, please review the items in the following checklist. This guide will help you isolate the problem if the unit is at fault. Otherwise, make sure the rest of your system is properly connected or consult your authorized Alpine dealer.

### No function or display.

- Car's ignition is off.
  - Turn the ignition on.
- No fuse or blown fuse.
  - Check the cause and replace the fuse.
- Incorrect connections.
  - Check connection and remedy.
- Vehicle's battery is weak.
  - Check the voltage of vehicle's battery.

### Unclear picture display.

- Fluorescent tube is exhausted.
  - Replace the fluorescent tube\*.

### No picture display.

- Brightness control is set for minimum brightness control.
  - Adjust the brightness.
- Incorrect setting of the VCR mode.
  - Switch to the correct mode.
- Protective circuit is on because of high temperature.
  - Wait until the temperature inside the vehicle comes down to the operating temperature range (45°C).
- Incorrect or open connection with the Monitor, AV interface unit.
  - Check the connection and remedy.

### Picture color is poor.

- Brightness/Color/Tint control are not set to the proper positions.
  - Check each control.

### Spots or dotted lines/stripes appear.

- Caused by neon signs, high-voltage power lines, CB transmitter, other vehicle's ignition plugs, etc.
  - Change the location of your vehicle.

### Unit does not operate.

- Monitor's power is not turned on.
  - Turn on the monitor's power.

### Navigation screen is not displayed or navigation system's remote controller keys do not work.

- Navigation system's power is turned off.
  - Press the ON/OFF (POWER) button on the navigation system's remote controller to turn the navigation system's power on.

\* The fluorescent tube replacement is not free of charge even within the warranty period, for the tube is an article of consumption.

# Information

## Specifications

---

### MONITOR

Screen Size	6.5-type
Display System	Low reflection rear projection type TN liquid crystal panel
Drive System	Active matrix drive, normally white display
Number of Picture Elements	280,800 pcs. (H:1200 x V:234 dots)
Effective Number of Picture Elements	99.99% or more
Light Source	Internal optical system (U-type cold cathode fluorescent tube)
Dimensions (W x H x D)	161 x 109 x 28.5mm
Weight	360g

### AV Interface Unit

Dimensions (W x H x D)	180 x 119 x 28.5 mm
Weight	550g

- *Due to continuous product improvement, specifications and design are subject to change without notice.*
- *The LCD panel is manufactured using an extremely high precision manufacturing technology. Its effective pixel ratio is over 99.99%. This means that there is a possibility that 0.01% of the pixels could be either always ON or OFF.*

# Installation and Connections

Before installing or connecting the unit, please read the following and pages 2 and 3 of this manual thoroughly for proper use.

## Warning

### **MAKE THE CORRECT CONNECTIONS.**

Failure to make the proper connections may result in fire or product damage.

### **USE ONLY IN CARS WITH A 12 VOLT NEGATIVE GROUND.**

(Check with your dealer if you are not sure.) Failure to do so may result in fire, etc.

### **BEFORE WIRING, DISCONNECT THE CABLE FROM THE NEGATIVE BATTERY TERMINAL.**

Failure to do so may result in electric shock or injury due to electrical shorts.

### **DO NOT ALLOW CABLES TO BECOME ENTANGLED IN SURROUNDING OBJECTS.**

Arrange wiring and cables in compliance with the manual to prevent obstructions when driving. Cables or wiring that obstruct or hang up on places such as the steering wheel, gear lever, brake pedals, etc. can be extremely hazardous.

### **DO NOT SPLICE INTO ELECTRICAL CABLES.**

Never cut away cable insulation to supply power to other equipment. Doing so will exceed the current carrying capacity of the wire and result in fire or electric shock.

### **DO NOT USE BOLTS OR NUTS IN THE BRAKE OR STEERING SYSTEMS TO MAKE GROUND CONNECTIONS.**

Bolts or nuts used for the brake or steering systems (or any other safety-related system), or tanks should NEVER be used for installations or ground connections. Using such parts could disable control of the vehicle and cause fire etc.

### **KEEP SMALL OBJECTS SUCH AS BATTERY OUT OF THE REACH OF CHILDREN.**

Swallowing them may result in serious injury. If swallowed, consult a physician immediately.

### **DO NOT INSTALL IN LOCATIONS WHICH MIGHT HINDER VEHICLE OPERATION, SUCH AS THE STEERING WHEEL OR GEARSHIFT.**

Doing so may obstruct forward vision or hamper movement etc. and results in serious accident.

### **DO NOT DAMAGE PIPE OR WIRING WHEN DRILLING HOLES.**

When drilling holes in the chassis for installation, take precautions so as not to contact, damage or obstruct pipes, fuel lines, tanks or electrical wiring. Failure to take such precautions may result in fire.

### **DO NOT INSTALL THE MONITOR NEAR THE PASSENGER SEAT AIR BAG.**

If the unit is not installed correctly the air bag may not function correctly and when triggered the air bag may cause the monitor to spring upwards causing an accident and injuries.

## Caution

### **HAVE THE WIRING AND INSTALLATION DONE BY EXPERTS.**

The wiring and installation of this unit requires special technical skill and experience. To ensure safety, always contact the dealer where you purchased this product to have the work done.

### **USE SPECIFIED ACCESSORY PARTS AND INSTALL THEM SECURELY.**

Be sure to use only the specified accessory parts. Use of other than designated parts may damage this unit internally or may not securely install the unit in place. This may cause parts to become loose resulting in hazards or product failure.

### **ARRANGE THE WIRING SO IT IS NOT CRIMPED OR PINCHED BY A SHARP METAL EDGE.**

Route the cables and wiring away from moving parts (like the seat rails) or sharp or pointed edges. This will prevent crimping and damage to the wiring. If wiring passes through a hole in metal, use a rubber grommet to prevent the wire's insulation from being cut by the metal edge of the hole.

### **DO NOT INSTALL IN LOCATIONS WITH HIGH MOISTURE OR DUST.**

Avoid installing the unit in locations with high incidence of moisture or dust. Moisture or dust that penetrates into this unit may result in product failure.

# Installation and Connections

## Precautions

---

- Be sure to disconnect the cable from the (-) battery post before installing your TME-M770. This will reduce any chance of damage to the unit in case of a short-circuit.
- Be sure to connect the color coded leads according to the diagram. Incorrect connections may cause the unit to malfunction or damage the vehicle's electrical system.
- When making connections to the car's electrical system, be aware of the factory installed components (e.g. on-board computer). Do not tap into these leads to provide power for this unit. When connecting the TME-M770 to the fuse box, make sure the fuse for the intended circuit of the TME-M770 has the appropriate amperage. Failure to do so may result in damage to the unit and/or the vehicle. When in doubt, consult your ALPINE dealer.
- The TME-M770 uses female RCA-type jacks for connection to other units having RCA connectors. You may need an adaptor to connect other units. If so, please contact your authorized ALPINE dealer for assistance.

## IMPORTANT

Please record the serial number of your unit in the space provided below and keep it as a permanent record. The serial number plate is located on the rear of the monitor or on the bottom of the AV interface unit.

SERIAL NUMBER: \_\_\_\_\_  
INSTALLATION DATE: \_\_\_\_\_  
INSTALLATION TECHNICIAN: \_\_\_\_\_  
PLACE OF PURCHASE: \_\_\_\_\_



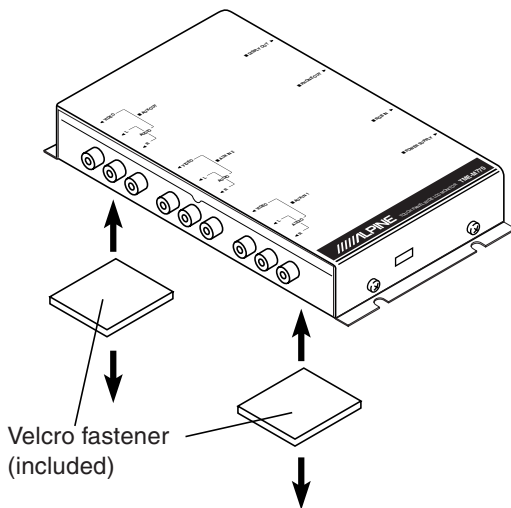
# Installation

## Installing AV Interface Unit

This Unit can be placed inside the trunk, on the kick panel of the front passenger's seat or underdash. However, to avoid unnecessary signal wiring, it is better to mount the Unit as close as possible to the Display.  
**DO NOT MOUNT THE INTERFACE UNIT IN LOCATIONS EXPOSED TO MOISTURE OR EXTREME HEAT** (such as the engine compartment).

### Velcro fastener Mounting:

1. Place a Velcro fastener onto the mounting surface. The rough side should be facing the unit.
2. Remove the backing to the adhesive on the Velcro strips. Press the unit onto the mounting location.



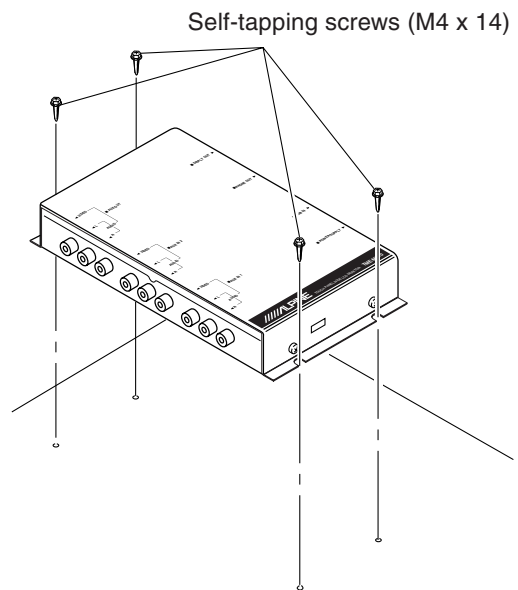
### Attaching with screws

1. Place the unit on the location chosen for installation.
2. Mark the screw locations using the unit as a template.
3. Drill a hole less than 3 mm in diameter.

### **WARNING**

**When you are drilling a hole in the car body, be careful not to damage pipes, tanks or electrical wiring etc.. It might cause an accident or a fire.**

4. Firmly attach the unit using 4 of the supplied self-tapping screws (M4 x 14).



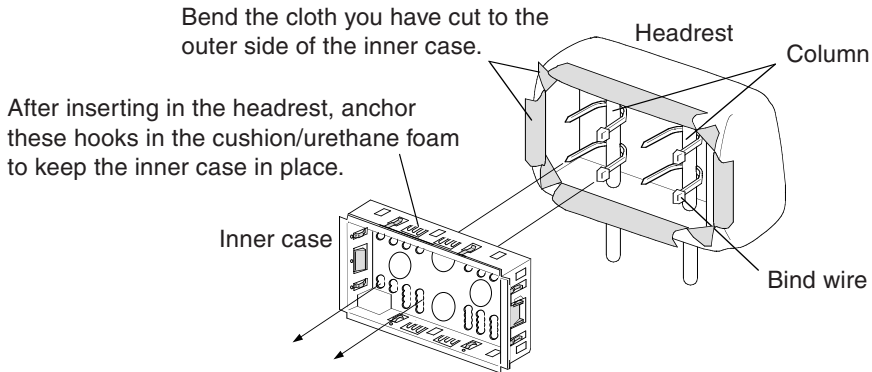
# Installation and Connections

## Mounting the monitor to the headrest

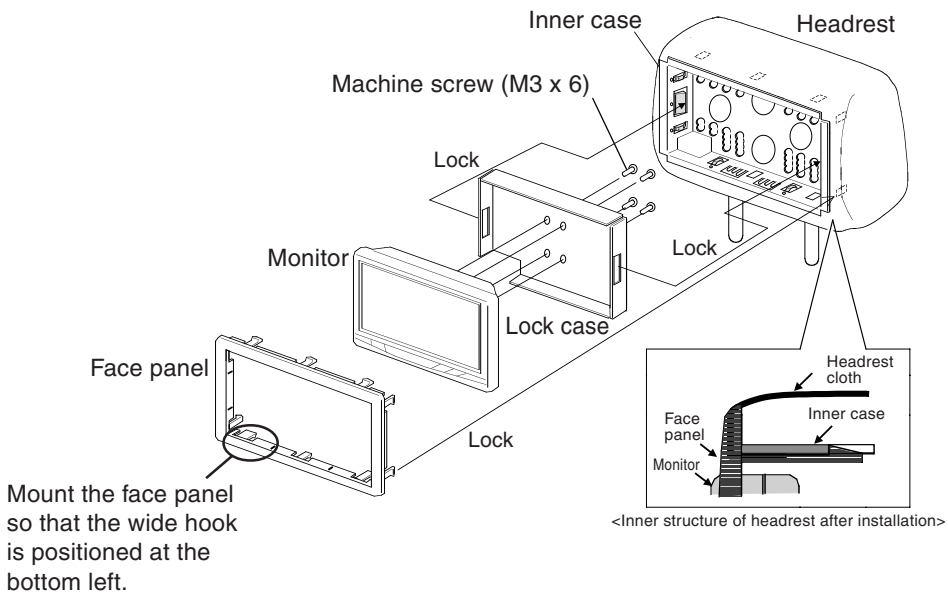
By all means, make a request to your store of purchase for mounting to a headrest.  
The following descriptions are directed at the dealer.

< When using a face panel >

### 1) Attaching an inner case to the headrest

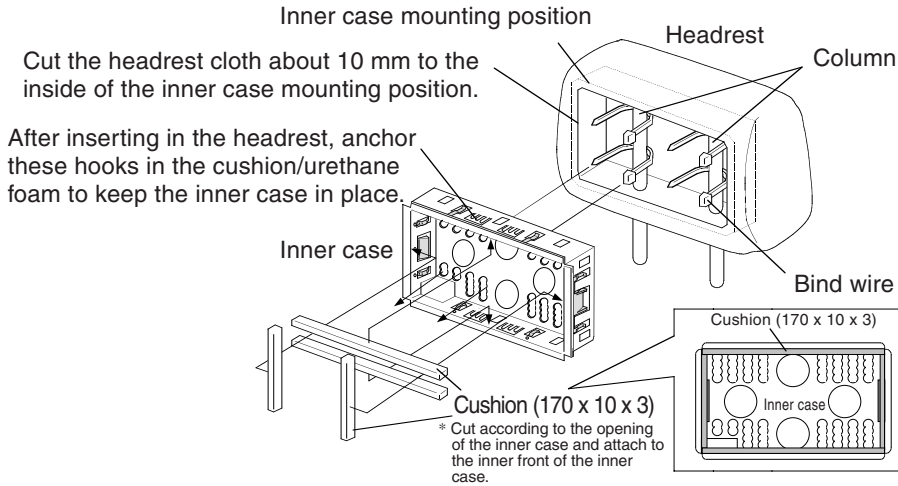


### 2) Attaching a monitor to the inner case

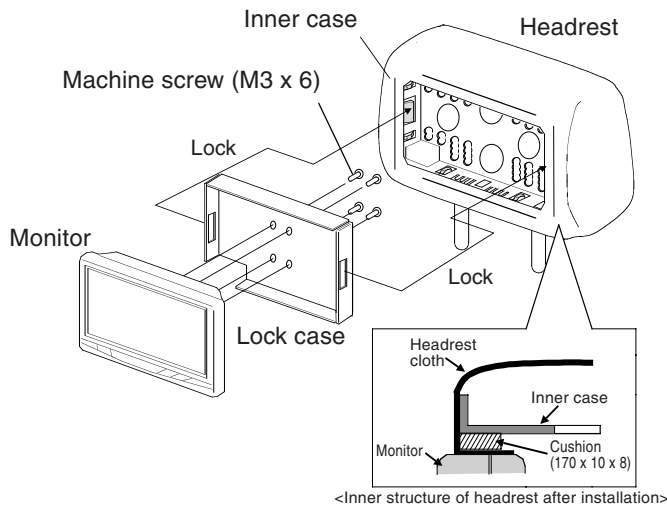


< When not using a face panel >

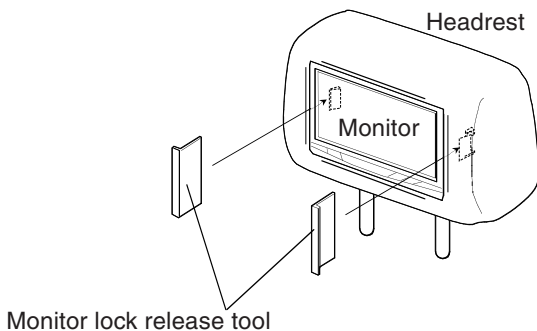
1) Attaching an inner case to the headrest



2) Attaching a monitor to the inner case



3) Detaching the monitor



Release the lock by inserting the tool, then draw the monitor out and remove it.

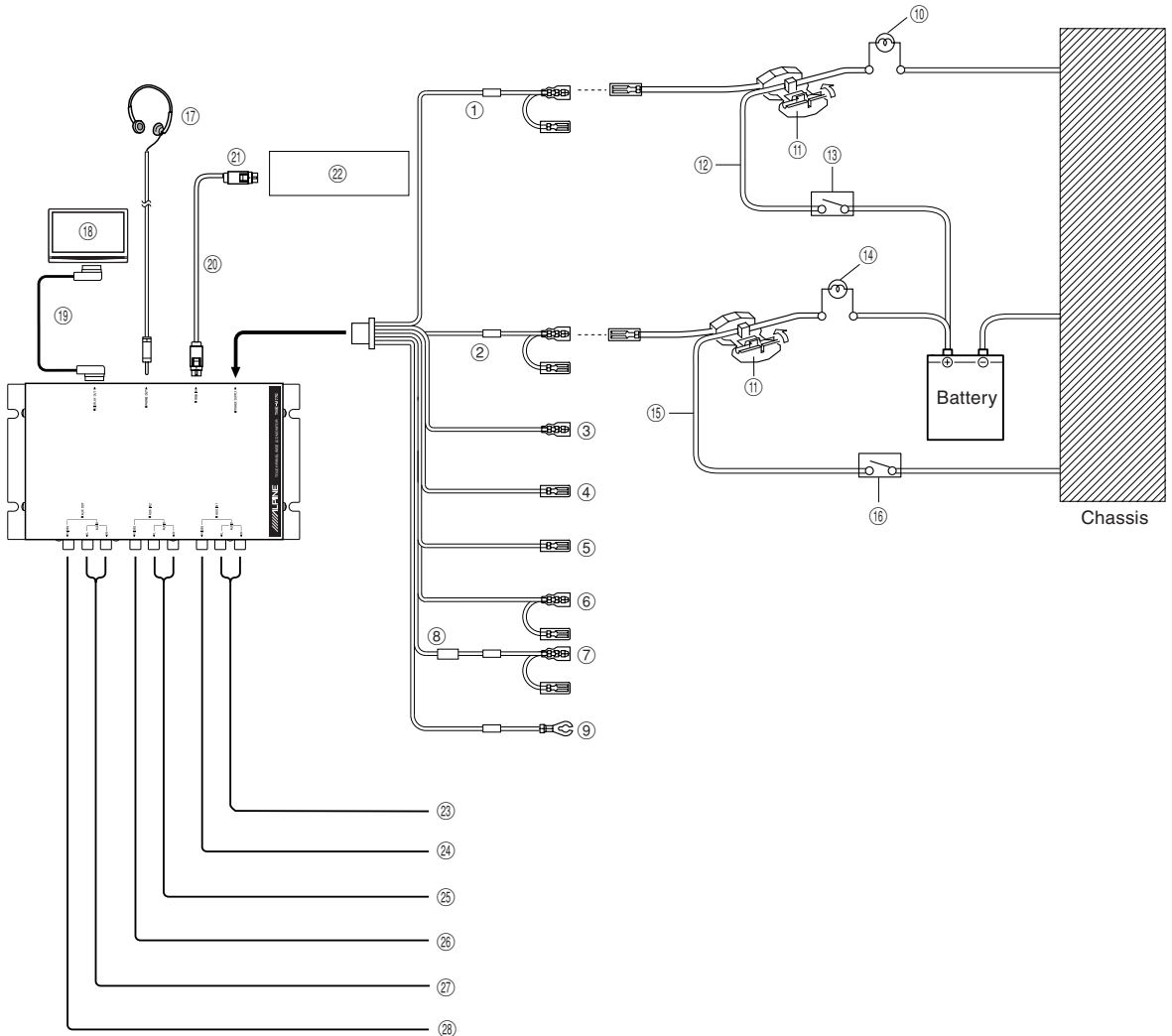
- Insert the tool with the face panel removed.
- If the headrest cloth is stuck between the inner case and monitor, pull out the headrest cloth, then insert the tool to release the lock.

# Installation and Connections

## Connections

Make connections correctly.  
Improper connections may cause a fire or operation failure.

### Basic connection



- ① **Foot brake lead (Yellow/Black)**  
Connect this lead to the foot brake lead powered when the foot brake is pressed.
- ② **Hand brake lead (Yellow/Blue)**  
Connect this lead to the hand brake lead powered when the hand brake is pulled.
- ③ **Monitor control lead (White/Pink)**  
Connect when upgrading with touch panel compatible products such as the IVA-D300.
- ④⑤ **Remote control output lead (White/Brown)**  
To remote control input lead of ALPINE products used in the system.
- ⑥ **Reverse Lead (Orange/White)**  
Use only when a back-up camera is connected. Connect to the plus side of the car's reverse lamp that lights when the transmission is shifted into reverse (R).  
  
Switches the video picture to the back-up camera. This is linked with putting the car into reverse (R).
- ⑦ **ACC power lead (Red)**  
To ACC power lead powered when engine key position is ACC.
- ⑧ **Fuse (7.5A)**
- ⑨ **Ground lead (Black)**  
Connect the lead to a good chassis ground on the vehicle. Make sure the connection is made to bare metal and is securely fastened using the sheet metal screw provided.
- ⑩ **Foot brake lamp**
- ⑪ **Brake connector (Included)**
- ⑫ **Foot brake lead**
- ⑬ **Foot brake switch**
- ⑭ **Hand (parking) brake lamp**
- ⑮ **Hand (parking) brake lead**
- ⑯ **Hand (parking) brake switch**
- ⑰ **Headphone**
- ⑱ **Main monitor**
- ⑲ **Connection cable**
- ⑳ **RGB cable**
- ㉑ **To RGB output terminal**
- ㉒ **Made by Alpine navigation**
- ㉓ **Audio input connectors (AUX 1)**  
Use these connectors to input the audio signals from a DVD player, video deck etc.
- ㉔ **Video input connector (AUX 1)**  
Use this connector to input the video signals from a DVD player, video deck etc.
- ㉕ **Audio input connectors (AUX 2)**  
Use these connectors to input the audio signals from a DVD player, video deck etc.

- ㉖ **Video input connectors (AUX 2)**  
Use this connector to input the video signals from a DVD player, video deck etc.
- ㉗ **Audio output connectors**  
Use these connectors to output audio signals to a rear monitor, etc.
- ㉘ **Video output connector**  
Use this connector to output video signals to a rear monitor, etc.

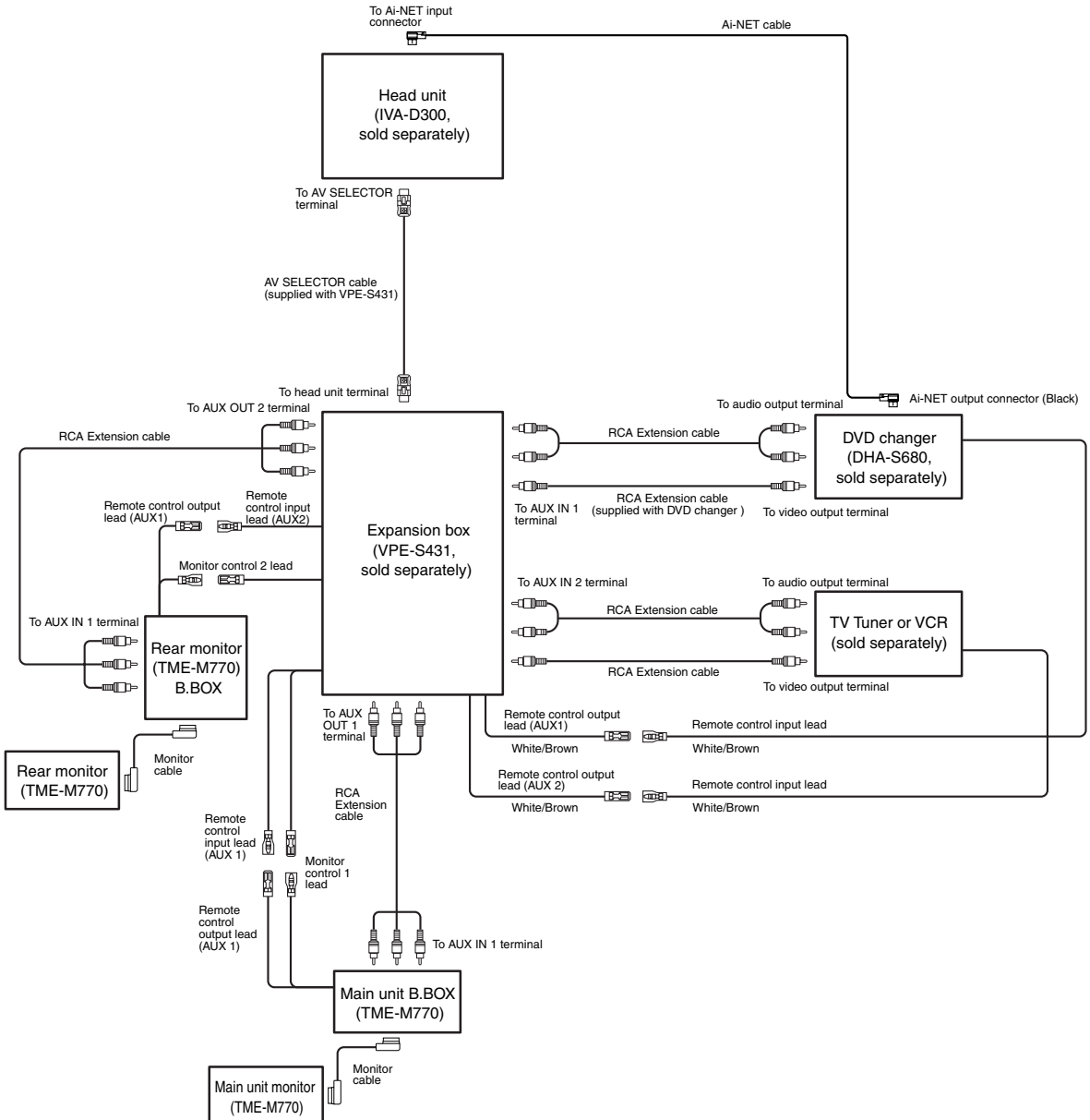
- *When connecting to an IVA-D300 or VPE-S431, use the "AUX IN 1" connector. When connecting a rear view camera, use the "AUX IN 2".*

**To prevent external noise from entering the audio system.**

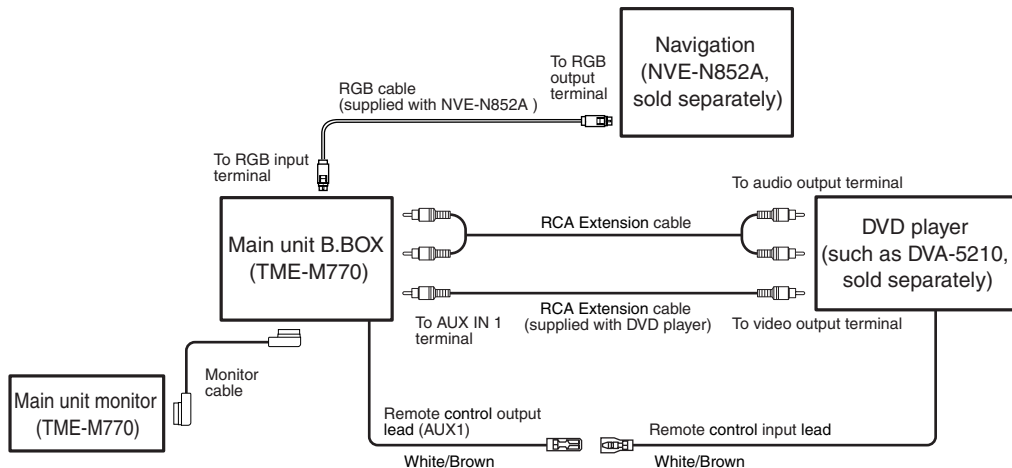
- Locate the unit and route the leads at least 10cm away from the car harness.
- Keep the battery power leads as far away from other leads as possible.
- Connect the ground lead securely to a bare metal spot (remove the coating if necessary) of the car chassis.
- If you add an optional noise suppressor, connect it as far away from the unit as possible. Your Alpine dealer carries various Alpine noise suppressors, contact them for further information.
- Your Alpine dealer knows best about noise prevention measures so consult your dealer for further information.

# System Connections

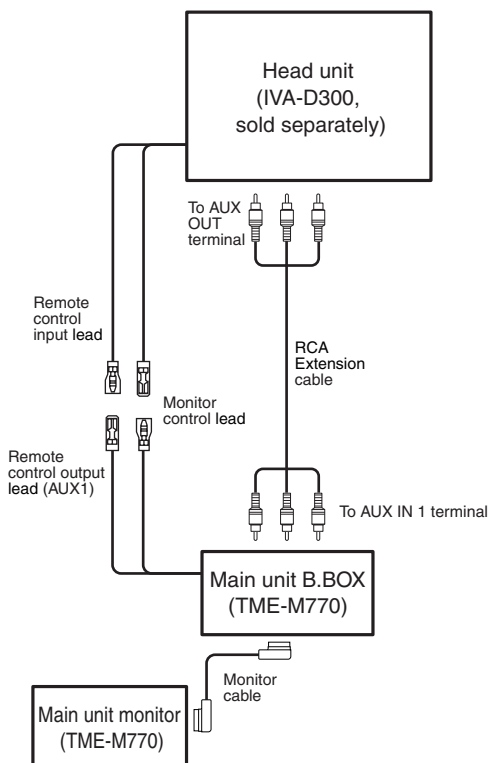
1) 2 main units + head unit (IVA-D300) + expansion box (VPE-S431) + DVD changer (DHA-S680) + TV Tuner (S680) + TV Tuner



## 2) Main unit + navigation (NVE-N852A) + DVD player (such as DVA-5210)



## 3) Main unit and head unit (IVA-D300)









## LIMITED WARRANTY

ALPINE ELECTRONICS OF AMERICA, INC. AND ALPINE OF CANADA INC. ("Alpine"), are dedicated to quality craftsmanship and are pleased to offer this Warranty. We suggest that you read it thoroughly. Should you have any questions, please contact your Dealer or contact Alpine at one of the telephone numbers listed below.

### ●PRODUCTS COVERED:

This Warranty covers Car Audio Products and Related Accessories ("the product"). Products purchased in the Canada are covered only in the Canada. Products purchased in the U.S.A. are covered only in the U.S.A.

### ●LENGTH OF WARRANTY:

This Warranty is in effect for one year from the date of the first consumer purchase.

### ●WHO IS COVERED:

This Warranty only covers the original purchaser of the product, who must reside in the United States, Puerto Rico or Canada.

### ●WHAT IS COVERED:

This Warranty covers defects in materials or workmanship (parts and labor) in the product.

### ●WHAT IS NOT COVERED:

This Warranty does not cover the following:

- ① Damage occurring during shipment of the product to Alpine for repair (claims must be presented to the carrier).
- ② Damage caused by accident or abuse, including burned voice coils caused by over-driving the speaker (amplifier level is turned up and driven into distortion or clipping). Speaker mechanical failure (e.g. punctures, tears or rips). Cracked or damaged LCD panels. Dropped or damaged hard drives.
- ③ Damage caused by negligence, misuse, improper operation or failure to follow instructions contained in the Owner's manual.
- ④ Damage caused by act of God, including without limitation, earthquake, fire, flood, storms or other acts of nature.  
Any cost or expense related to the removal or reinstallation of the product.
- ⑤ Service performed by an unauthorized person, company or association.
- ⑥ Any product which has the serial number defaced, altered or removed.
- ⑦ Any product which has been adjusted, altered or modified without Alpine's consent.
- ⑧ Any product not distributed by Alpine within the United States, Puerto Rico or Canada.
- ⑨ Any product not purchased from an Authorized Alpine Dealer.

### ●HOW TO OBTAIN WARRANTY SERVICE:

- ① You are responsible for delivery of the product to an Authorized Alpine Service Center or Alpine for repair and for payment of any initial shipping charges. Alpine will, at its option, repair or replace the product with a new or reconditioned product without charge. If the repairs are covered by the warranty, and if the product was shipped to an Authorized Alpine Service Center or Alpine, Alpine will pay the return shipping charges.
- ② You should provide a detailed description of the problem(s) for which service is required.

- ③ You must supply proof of your purchase of the product.
- ④ You must package the product securely to avoid damage during shipment. To prevent lost packages it is recommended to use a carrier that provides a tracking service.

### ●HOW WE LIMIT IMPLIED WARRANTIES:

ANY IMPLIED WARRANTIES INCLUDING FITNESS FOR USE AND MERCHANTABILITY ARE LIMITED IN DURATION TO THE PERIOD OF THE EXPRESS WARRANTY SET FORTH ABOVE AND NO PERSON IS AUTHORIZED TO ASSUME FOR ALPINE ANY OTHER LIABILITY IN CONNECTION WITH THE SALE OF THE PRODUCT.

### ●HOW WE EXCLUDE CERTAIN DAMAGES:

ALPINE EXPRESSLY DISCLAIMS LIABILITY FOR INCIDENTAL AND CONSEQUENTIAL DAMAGES CAUSED BY THE PRODUCT. THE TERM "INCIDENTAL DAMAGES" REFERS TO EXPENSES OF TRANSPORTING THE PRODUCT TO THE ALPINE SERVICE CENTER, LOSS OF THE ORIGINAL PURCHASER'S TIME, LOSS OF THE USE OF THE PRODUCT, BUS FARES, CAR RENTALS OR OTHER COSTS RELATING TO THE CARE AND CUSTODY OF THE PRODUCT. THE TERM "CONSEQUENTIAL DAMAGES" REFERS TO THE COST OF REPAIRING OR REPLACING OTHER PROPERTY WHICH IS DAMAGED WHEN THIS PRODUCT DOES NOT WORK PROPERLY. THE REMEDIES PROVIDED UNDER THIS WARRANTY ARE EXCLUSIVE AND IN LIEU OF ALL OTHERS.

### ●HOW STATE/PROVINCIAL LAW RELATES TO THE WARRANTY:

This Warranty gives you specific legal rights, and you may also have other rights which vary from state to state and province to province. In addition, some states/provinces do not allow limitations on how long an implied warranty lasts, and some do not allow the exclusion or limitation of incidental or consequential damages. Accordingly, limitations as to these matters contained herein may not apply to you.

### ●IN CANADA ONLY:

This Warranty is not valid unless your Alpine car audio product has been installed in your vehicle by an Authorized Installation Center, and this warranty stamped upon installation by the installation center.

### ●HOW TO CONTACT CUSTOMER SERVICE:

Should the product require service, please call the following number for your nearest Authorized Alpine Service Center.

**CAR AUDIO 1-800-ALPINE-1 (1-800-257-4631)  
NAVIGATION 1-888-NAV-HELP (1-888-628-4357)**

Or visit our website at; <http://www.alpine-usa.com>

**ALPINE ELECTRONICS OF AMERICA, INC.**, 19145 Gramercy Place, Torrance, California 90501, U.S.A.

**ALPINE ELECTRONICS OF CANADA, INC.**, 7300 Warden Ave., Suite 203, Markham, Ontario L3R 9Z6, Canada

Do not send products to these addresses.

Call the toll free telephone number or visit the website to locate a service center.



## GARANTIE LIMITÉE

Fidèles à leur engagement de ne fournir que des produits de qualité, ALPINE ÉLECTRONIQUE DE L'AMÉRIQUE, INC. et ALPINE ÉLECTRONIQUE DU CANADA, INC. (Alpine) sont heureuses de vous offrir cette garantie. Nous vous suggérons de le lire attentivement et en entier. Si vous avez la moindre question, veuillez contacter l'un de nos concessionnaires ou appeler directement Alpine aux numéros listés ci-dessous.

### ● PRODUITS COUVERTS PAR LA GARANTIE

Cette garantie couvre les produits audio de voiture et les accessoires connexes ("le produit"). Elle ne couvre les produits que dans le pays où ils ont été achetés.

### ● DURÉE DE LA GARANTIE

Cette garantie est en vigueur pendant un an à partir de la date du premier achat du client.

### ● PERSONNES PROTÉGÉES PAR LA GARANTIE

Seul l'acheteur original du produit, s'il réside aux États-Unis, à Porto Rico ou au Canada, peut se prévaloir de la garantie.

### ● CE QUI EST COUVERT

Cette garantie couvre tous les défauts de matériaux et de fabrication (pièces et main d'œuvre) du produit.

### ● CE QUI N'EST PAS COUVERT

Cette garantie ne couvre pas ce qui suit:

- ① Les dommages survenus durant le transport des produits renvoyés à Alpine pour être réparés (les réclamations doivent être adressées au transporteur);
- ② Les dégâts provoqués par un accident ou une mauvaise utilisation, y compris des bobines acoustiques grillées suite à une surexcitation des enceintes (augmentation du niveau de l'amplificateur jusqu'à atteindre un effet de distorsion ou d'écrêtage), une défaillance mécanique des enceintes (perforations, déchirures ou fentes), panneaux LCD fissurés ou endommagés, disques durs endommagés ou ayant subi une chute.
- ③ Tout dégât provoqué par négligence, usage inapproprié, mauvaise utilisation ou par le non-respect des instructions indiquées dans le manuel de l'utilisateur.
- ④ Les dommages dus à la force majeure, notamment aux tremblements de terre, au feu, aux inondations, aux tempêtes ou aux autres cataclysmes naturels; Les frais ou les dépenses relatifs à l'enlèvement ou à la réinstallation du produit;
- ⑤ Les services rendus par une personne, physique ou morale non autorisée;
- ⑥ Les produits dont le numéro de série a été effacé, modifié ou retiré;
- ⑦ Les produits qui ont été adaptés ou modifiés sans le consentement d'Alpine;
- ⑧ Les produits qui ne sont pas distribués par Alpine aux États-Unis, à Porto Rico ou au Canada;
- ⑨ Les produits qui n'ont pas été achetés par l'entremise d'un concessionnaire Alpine autorisé;

### ● COMMENT SE PRÉVALOIR DE LA GARANTIE

- ① Il vous faut remettre le produit nécessitant des réparations à un centre de service autorisé Alpine ou à Alpine même et en assumer les frais de transport. Alpine a le choix entre réparer le produit ou le remplacer par un produit neuf ou révisé, le tout sans frais pour vous. Si les réparations sont couvertes par la garantie et si le produit a été envoyé à un centre de service Alpine ou à Alpine, le paiement des frais de réexpédition du produit incombe Alpine.

- ② Vous devez donner une description détaillée des problèmes qui sont à l'origine de votre demande de réparation.
- ③ Vous devez joindre la preuve de votre achat du produit.
- ④ Vous devez emballer soigneusement le produit pour éviter tout dommage durant son transport. Pour éviter la perte de l'envoi, il est conseillé de choisir un transporteur qui propose un service de suivi des envois.

### ● LIMITATION DES GARANTIES TACITES

LA DURÉE DE TOUTES LES GARANTIES TACITES, Y COMPRIS LA GARANTIE D'ADAPTATION À L'UTILISATION ET LA GARANTIE DE QUALITÉ LOYALE ET MARCHANDE, EST LIMITÉE À CELLE DE LA GARANTIE EXPRESSE DÉTERMINÉE CI-DESSUS. PERSONNE N'EST AUTORISÉ À ENGAGER AUTREMENT LA RESPONSABILITÉ D'ALPINE EN VERTU DE LA VENTE D'UN PRODUIT.

### ● EXCLUSIONS DE LA GARANTIE

ALPINE STIPULE EXPRESSÉMENT QU'ELLE N'EST PAS RESPONSABLE DES DOMMAGES-INTÉRÊTS ET DOMMAGES INDIRECTS PROVOQUÉS PAR LE PRODUIT. LES DOMMAGES-INTÉRÊTS SONT LES FRAIS DE TRANSPORT DU PRODUIT VERS UN CENTRE DE SERVICE ALPINE, LA PERTE DE TEMPS DE L'ACHETEUR ORIGINAL, LA PERTE D'UTILISATION DU PRODUIT, LES BILLETS D'AUTOBUS, LA LOCATION DE VOITURES ET TOUS LES AUTRES FRAIS LIÉS À LA GARDE DU PRODUIT.

LES DOMMAGES INDIRECTS SONT LES FRAIS DE RÉPARATION OU DE REMPLACEMENT D'AUTRES BIENS ENDOMMAGÉS SUITE AU MAUVAIS FONCTIONNEMENT DU PRODUIT.

LES RECOURS PRÉVUS PAR LES PRÉSENTES EXCLUENT ET REMPLACENT TOUTE AUTRE FORME DE RECOURS.

### ● LIEN ENTRE LA GARANTIE ET LA LOI

La garantie vous donne des droits spécifiques, mais vous pouvez aussi jouir d'autres droits, qui varient d'un état ou d'une province à l'autre. En outre, certains états et certaines provinces interdisent de limiter la durée des garanties tacites ou d'exclure les dommages accessoires ou indirects. Dans ce cas, les limites et les exclusions de la garantie peuvent ne pas s'appliquer à vous.

### ● CLAUSE APPLICABLE AU CANADA SEULEMENT

Pour que la garantie soit valable, il faut qu'un centre d'installation autorisé ait installé le système audio pour l'auto dans votre véhicule et qu'il ait ensuite apposé son cachet sur la garantie.

### ● NUMÉROS D'APPEL DU SERVICE À LA CLIENTÈLE

Si vous avez besoin de nos services, veuillez appeler Alpine aux numéros ci-dessous pour le centre de service autorisé Alpine le plus proche.

<b>AUDIO DE VOITURE</b>	<b>1-800-ALPINE-1 (1-800-257-4631)</b>
<b>NAVIGATION</b>	<b>1-888-NAV-HELP (1-888-628-4357)</b>

Ou visitez notre site Web à l'adresse <http://www.alpine-usa.com>

**ALPINE ÉLECTRONIQUE DE L'AMÉRIQUE, INC.**, 19145 Gramercy Place, Torrance, California 90501, U.S.A.  
**ALPINE ÉLECTRONIQUE DU CANADA, INC.**, 7300 Warden Ave., Suite 203, Markham, Ontario L3R 9Z6, Canada  
N'envoyez aucun produit à ces adresses.

Appelez notre numéro gratuit ou visitez notre site Web si vous recherchez un centre de service.