

VDO dayton

CD 5626X

CD 5526X



User manual

Mode d'emploi

Bedienungsanleitung

Gebruiksaanwijzing

Istruzioni d'uso

Instrucciones de manejo

Modo de empra go

Bruksanvisning

Betjeningsvejledning

Käyttöohje

www.vdodayton.com

English

Français

Deutsch

Nederlands

Italiano

Español

Português

Svenska

Dansk

Suomi

CONNECTOR OVERVIEW

A: POWER	
A1	N.C.
A2	N.C.
A3	N.C.
A4	IGNITION
A5	N.C.
A6	ILLUMINATION SIGNAL
A7	POWER
A8	GROUND

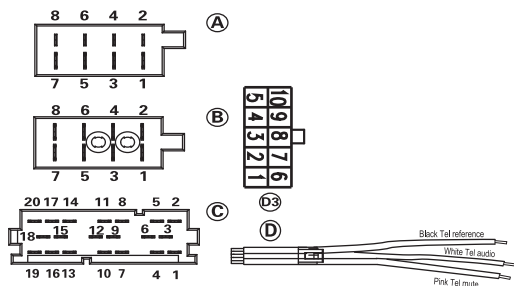
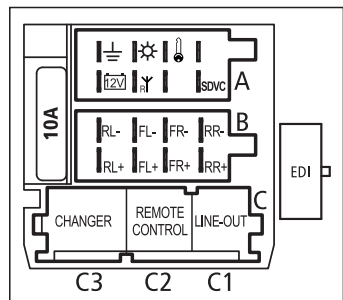
B: LOUD SPEAKER	
B1	REAR RIGHT+
B2	REAR RIGHT-
B3	FRONT RIGHT+
B4	FRONT RIGHT-
B5	FRONT LEFT+
B6	FRONT LEFT-
B7	REAR LEFT+
B8	REAR LEFT-

C1: LINE OUT	
C1	REAR LEFT
C2	REAR RIGHT
C3	GROUND
C4*	REAR LEFT
C5*	REAR RIGHT
C6	REMOTE AMPLIFIER

C2: STEERING WHEEL REMOTE CONTROL	
C7	
C8	REMOTE CONTROL INTERFACE+
C9	REMOTE CONTROL INTERFACE GND
C10	
C11	
C12	

C3: CHANGER	
C13	TX BUS
C14	RX BUS
C15	GROUND SUPPLY
C16	PERMANENT SUPPLY
C17	REMOTE SUPPLY
C18	AUDIO LEFT
C19	AUDIO GROUND
C20	AUDIO RIGHT

D3*: EDI	
1	12C clock
2	12C data
3	MRQ
4	RC3 remote control
5	SDVC/speed signal
6	12V permanent power
7	12V ACC or ignition
8	Ground
9	
10	



Proper disposition for all scraps(Please place in bins for electronic parts) for environment protection.

**CLASS 1
LASER PRODUCT**

A



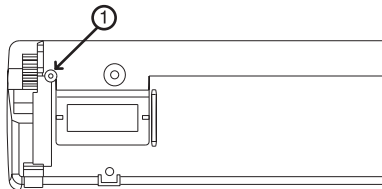
B



C



D



BEFORE YOU START...

Thank you for purchasing our product which has been designed and manufactured to the highest standards and subjected to rigorous testing.

Please read this information carefully and follow all instructions outlined below. This will ensure the reliable operation and long service life of your radio. Keep this manual handy in your car for future reference.

ENVIRONMENT

This booklet is printed on low-chlorine recyclable paper.

IMPORTANT

This device has been designed and produced according to applicable Safety Regulations. Please read carefully the instruction manual and use the device as intended.

CONTENTS PAGE

TECHNICAL DATA	4
INSTALLATION	5
PREPARATION	5
MOUNTING	7
FRONT PANEL PRESENTATION	8
SECURITY	9
AUDIO	9
RADIO	10
RADIO DATA SYSTEM (RDS) ON FM	10
CHANGER	11
SPECIAL FUNCTIONS	12
SETUP	14
TROUBLE SHOOTING	17

TECHNICAL AND FUNCTION DATA

	CD5526X	CD5626X
Power Supply	12V	12V
Max Power	4x35w	4x45w
Sinus Power	4x19w	4x22w
Illumination	switchable (orange/green/dual)	switchable (orange/green/dual)
Steering Wheel Remote Control	•	•
Changer/Aux In	•	•
CLOCK	•	•
Current consumption (off state)	≤ 3mA	≤ 3mA
External Display Interface (EDI)	x	•
Speed Dependant Volume Control	•	•
Preampout	2-CHANNEL 2V	4-CHANNEL 2V
Front Panel	Full-detach	Full-detach
Dimensions (wxhxd)	180x51x160mm	180x51x160mm
Tel In	•	•
MP3/WMA	•	•

Note: • : Support ed , x : Not Supported

Warning:

- To prevent short-circuiting, disconnect the negative car battery terminal until the set has been mounted and connected (fig.1 See separate installation card).
- Only trained specialists may install the unit.
- Always observe correct assignment of vehicle connections. Incorrect assignment of the connections may lead to damage of the unit or vehicle electrical system/electronics.
- Observe automotive industry quality standards.
- Fire hazard! When drilling, care must be taken not to damage concealed wiring harnesses, the fuel tank and fuel lines.
- Never drill into supporting or safety-relevant body parts.

INSTALLATION

Connection in vehicles equipped with standard ISO connectors.

The radio may be installed without major preparation in vehicles equipped with ISO standard connectors. Some signals may have to be adapted or connected to the ISO connectors (see separate installation card).

Connection in vehicles without standard ISO connectors.

For vehicles with different connection requirements, ask your dealer for an adapter cable. If no adapter cable is available for your vehicle, connect the radio as described (see separate installation card).

PREPARATION

Voltage and polarity: The set must be connected to a 12V car battery with negative terminal to earth (car chassis). Installation in vehicles not fulfilling these requirements could result in malfunction, damage or fire.

* Depending on version

CONNECTOR A (fig.2)

Power supply connections

- **A7** : Connect to a permanent 12V supply. This is the main power supply. Ensure this connection can handle a current of 10A.
- **A4** : Connect to a switched 12V supply (switched on/off by car ignition).
- **A8**: Connect to earth (car chassis).

This connection set up will enable you to make full use of the ON/OFF LOGIC function of this set limiting the use of the set to 1 hour after removal of the ignition key. If this feature does not appear to be functioning as expected you may require an adaptor cable.

Optional connections: (fig. 2)

• SDVC (Speed Dependant Volume Control):

- Intelligent volume control which automatically adjust the volume depending on your car's speed.
- Connect pin A1 to a signal from the speedometer of your car. Some cars are already prepared for it , please consult your dealer.
- To activate the SDVC volume function, see SPECIAL FUNCTIONS, page 12.

CONNECTOR B (fig.3)

Loudspeakers (use 4 ohm loudspeakers only)

- Do not connect any of the loudspeaker leads to earth or directly to a booster/amplifier without high level input or via an external fader! You can connect the loudspeaker leads directly to an amplifier with high level input.
- Connecting 4 loudspeakers :

	Front	Rear
Left+	B5	B7
Left-	B6	B8
Right+	B3	B1
Right-	B4	B2

CONNECTOR C1

Connector C1 for Pre-out (fig. 4)

- Connect a power amplifier (with 2/4 additional loudspeaker) to this set with the RCA cable.
- Connect Red socket to Right channel and white socket to Left channel.
- Connect fly lead wire to Amplifier Remote on/off.

Connector C2 (fig. 5)

Car steering wheel remote control

Main functions of this radio can be operated by the car steering wheel remote control. If this remote control is based on 2 wire RC3 standard it can directly be connected. A programming step described on page 13 is needed to teach in the specific functions .

If your car remote control is not supported by this radio please consult your dealer for specific adapter solution.

Use a C2 (mini ISO) casle to connect your car remote control to the head unit.

Wire of Telephone Mute

- If your car telephone or the car kit of your mobile phone provides a mute signal, it can be used to automatically interrupt the set's sound output.
- Connect the telephone mute wire to the Pink lead wire.
- See 'SAM' (page 15); select option 'TEL' and set 'MUTE LO' or 'MUTE HI' (according to phone type) to automatically interrupt the set's sound output when using your car phone.

Flylead for TEL IN audio input

- If your car telephone or the car kit of your mobile phone provides audio signal. You can via this cable to input the audio to the headunit.

Connector C3 for our analogue DVD/MP3/CD changer or an Auxiliary equipment. (available separately)

- You can connect our analogue DVD/MP3/CD changer to this set (fig. 6)
- Select option 'AUX-ON' in 'SAM' (page 15).
- You can connect the audio output of auxiliary equipment e.g. in-car video system (instead of a CD changer) to this set (fig.7) using a separate accessory cable.
- Select option 'AUX ON' in 'SAM' (page 15).

Other connections (fig 8.)

D3 External Display Interface (EDI) (fig. 8)

- You can show the content of headunit on a specific car remote display via connector D3. Contact your dealer for an 'EDI Box' of the specific car which is sold separately.

* Depending on version

MOUNTING

METAL SLEEVE (fig.10)

- Install the metal sleeve (dimension 182x53 mm) in the dashboard. For optimal performance of the CD player*, the metal sleeve should be positioned horizontally (between -10° and +30°).
- Fix metal sleeve into place by pressing the metal tags outwards using a screwdriver.

CONNECTING THE RADIO (fig.9)

- Ensure the battery is disconnected.
- Insert aerial plug E in the matching socket. Use hook (J) on back of set to secure fixing.
- Insert power supply connector A into socket A'.
- Insert loudspeaker connector B into socket B'.
- (optional) Remove the protective cover from socket C'.
- (optional) Insert the yellow line-out connector C1 into socket C1'.
- (optional) Insert the blue CD changer connector C3 into socket C3'.
- (optional) Insert the green connector C2 into socket C2'.

The green connector slides between the yellow connector C1 and the blue connector C3.

You need at least one of these connections to keep C2 in place.

MOUNTING RADIO

This radio can be properly installed either from conventional Front Mounting or Rear Mounting, depending on DIN/JIN opening of the car's dashboard.

FRONT MOUNTING

- Slide the radio into the metal sleeve until the springs at either side of the radio snap into the openings of the sleeve (fig.11).
- Finally reconnect the negative car battery terminal (fig.12).

REMOVING RADIO (using the two U- brackets supplied)

- Remove the trimplate around the front panel.
- Insert both U-brackets into the holes on the front of the set until they lock. Pull out the radio (fig.13).

REAR MOUNTING (fig.14)

- Remove the trimplate around the front panel and the side springs.
- Select a position where the screw holes of the mounting bracket and the screw holes of the radio become aligned and tighten the screws at 2 places on each side.
- **Only use M5 selftapping screws that are not longer than 6mm.**

REPLACING FUSE (fig. 9)

- Replace with a 10A blade-type fuse. The new fuse must be of exactly this value and type otherwise the set will not be adequately protected. Ignoring this procedure may lead to damage to the set, which will invalidate the guarantee.

INTERFERENCE SUPPRESSION

- Most modern cars have sufficient interference suppression. If you experience interference generated by the car, consult your dealer.

* Depending on version

FRONT PANEL PRESENTATION

For illustration, see page 3, figure A.

MODE	TUNER	CD	CHANGER	CD MP3
1 RND	SP Select preset 1		Random track	
	LP Store preset			
2 RPT	SP Select preset 2		Repeat track	
	LP Store preset			
3 SCN	SP Select preset 3		Repeat track	
	LP Store preset			
4	SP Select preset 4			
	LP Store preset			
5	SP Select preset 5			
	LP Store preset			
SOUND	SP	Select sound / audio styles / next style		
TA AF	SP	TA on / off		
POWER		Push on / off power Turn adjust volume		
BAND ID3	SP Select band		Display ID3 (MP3)	Display ID3
	LP Autostore		Display ID3 (MP3)	Display ID3
SOURCE SAM		Source change (scrolling) Setup (SAM)		
▶	SP Search up		Next track	
	LP Manual tuning		fast forward	
◀	SP Search down		Previous track	
	LP Manual tuning		fast rewind	
▲	SP	10 track up	Select the previous available disc	<ul style="list-style-type: none"> • MP3 without DIR: 10- track Up • MP3 with DIR : DIR Up
	LP		<ul style="list-style-type: none"> • MP3 with DIR : DIR Up 	
▼	SP	10 track down	Select the next available disc	<ul style="list-style-type: none"> • MP3 without DIR: 10- track down • MP3 with DIR : DIR down
	LP		<ul style="list-style-type: none"> • MP3 with DIR : DIR down 	
AST	SP	Auto store		
	LP	Brightness		
MUTE		Mute		
▲		Eject disc		
REL		Release the front		

Note: SP: Short press LP: Long press

* Depending on version

SECURITY

For theft protection this set is provided with the following security features:

DETACHABLE FRONT

Take the detachable front with you when leaving the car. Keep it in its protective box. Always apply the detachable front before starting to drive.

To remove the front (see page 3, figure B)

- Press REL to release the detachable front .
- Pull out the left hand corner of the detachable front to remove the front.

To apply the front (see page 3, figure C)

- Insert the detachable front starting with the right-hand side of the set.
- Push the detachable front until it clicks into position.

SECURITY LIGHT

- The LED flashes when the detachable front is removed when the ignition is off. You can switch off the flashing warning light. See 'MENU' (page 15), option 'LED'.

IDENTIFICATION NUMBER

This set has a unique identification number (stated on the 'Security card'). This card is required as a proof of ownership when the set is stolen, when the detachable front is lost or when requesting service.

- Remove the 'Security card' before installing the set. Do not keep the 'Security Card' in your car.


AUDIO

ON / OFF / VOLUME

- Press rotary knob to switch on/off the set.
- Turn to adjust the volume.
- The volume automatically increases or decreases if the SMART Volume connection has been installed and selected (see installation page)
- Please make sure you can still hear the traffic (horns, sirens.....)

AUDIO SETTING

- Press **SOUND** to select desired audio mode.
- Adjust the settings with the rotary knob:

- 
- Sound style (USER, FLAT, JAZZ, VOCAL, ELECTRO, CLASSIC, ROCK)
 - BASS (low notes)
 - TREBLE (high notes)
 - BALANCE (left-right)
 - FADER (rear-front)
 - LOUD (OFF, LOW, MID, HIGH)

- Turn the rotary knob to adjust the selected audio mode.


After 5 seconds the display goes back to the last mode of operation.

- Adjustment of Bass and Treble setting is only possible when USER is selected as the sound style.

SOUND

Whether you listen to Jazz, Vocal, Pop, Classic or Rock music, the **SOUND** button is the perfect setting for your choice.

- Press **SOUND** and then adjust the settings with the rotary knob to select one of the predefined sound styles:

- 
- USER : Your own settings of bass and treble.
 - FLAT: Original
 - JAZZ: Jazz music
 - VOCAL : Speech
 - ELECTRO : Pop music
 - CLASSIC : Classical music
 - ROCK : Rock music


MUTE (silence)

- Press **MUTE** key to mute/ demute the sound when the set is switched on.

Note: You can adjust the mute level. The volume may be louder during mute when the mute level is higher (e.g. 12) than the current volume (e.g. 5). See 'SETUP', option 'MUTE'.

SOURCE

- Press **SOURCE** to select the desired source :

- 
- TUNER
 - CD/MP3
 - CD CHANGER

* Depending on version

RADIO

WAVEBAND

- Press **BAND** to select the desired band :



AUTOMATIC SEARCH

Use search tuning to automatically search for a station.

- Press ◀ to tune to a station of a lower frequency or ▶ to a higher frequency.
- To search for another station, press the key again.

Note: You can select the search sensitivity for FM. See 'SAM' (page 14), Option 'REG/LOC/DX'.

Manual tuning (if you know the frequency of the required station)

- To switch to manual tuning :
Long press the search button ◀ or ▶ for more than 2 seconds will switch the tuning to manual tuning.
- Then press ◀ to tune to a station of a lower frequency or ▶ to a higher frequency.
- When keys are released, a time-out start to count. After 5 seconds time-out, display 'Auto' for one second and return to automatic search.

PRESELECTED STATIONS

Manually storing stations in a preset

Five stations per band can be stored and recalled using the preset keys (1 to 5)

- Tune in to the desired station.
- Press the desired preset key (1 to 5) for more than 2 seconds to store the current tuned station.

When storing an FM station, the current Program Station Name and the AF mode are stored on the preset (Some stations use alternating Program Service Name).

Recalling a preset

- Press the desired preset key (1 to 5) to recall the stored station.

Automatically storing stations (AUTO-STORE)

You can automatically store 5 strongest FM stations on the FM AST band or 5 strongest MW (AM) stations on the MW(AM) AST band. When you use Auto Store, the new stations replace any stations previously stored in the FM AST band or the MW(AM) AST band.

- Press **AST** to activate autostore.
- The set gives a beep and then mutes.
- When it has finished, you hear a beep followed

by the station stored on preset 1.

- Sometimes it may not be possible to find 5 stations.

RADIO DATA SYSTEM (RDS) ON FM

More and more stations broadcasts RDS informations in order to offer you many advantages including:

PROGRAM SERVICE NAME (PS)

Allows the radio to display the name of the station instead of its frequency.

AUTOMATIC RETUNING (AF):

The set remains tuned to the current station by continually searching the best alternative frequency for best reception.

Note: You can switch AF off.

Activate/Deactivate AF

This set continuously search for other alternative frequencies for the tuned radio station and automatically selects the best frequency for reception. Long press **TA AF** for more than 2 seconds to activate/deactivate AF.

ALARM MESSAGES (PTY ALARM)

This set automatically receives emergency messages made by the broadcaster.

- During the messages the display shows 'ALARM' and the station-name alternately.

TRAFFIC ANNOUNCEMENTS (TA)

You can activate the TA modes to give priority so as to hear traffic announcements related to these subjects, (even if you play a CD or mute the set).

Activate/Deactivate TA

- Short press **BAND** to select an FM band.
- Press **TA AF** to activate/deactivate TA.

Activate/Deactivate NEWS

- Press **BAND** to select an FM waveband.
- See 'SAM' (page 15), select option 'NEWS' and set the value to 'ON'.

If you activate TA/NEWS mode :

- You will hear the Traffic Announcements/News Announcements.
- If the tuned station does not enable the reception of Traffic Announcements, the display shows 'NO TA'. The radio automatically searches an appropriate station.
News announcements may be interrupted by Traffic Announcements (if the TA mode is switched on)

* Depending on version

Interrupting Traffic Announcement/News mode

If you do not wish to continue listening to a particular Traffic Announcement:

- Short press **TA AF** key to interrupt TA/NEWS without switching off the mode.
- The set will return to the previous operating mode.

Note:

- You can switch off RDS features if not required.
- Long press **RDS** key to switch off RDS.
- All RDS related features e.g., TA, etc... will be deactivated when RDS is switch off.

TA EON

- To keep you receive the traffic information in time.

Note:

- You can select the search sensitivity for TA. See 'SAM', option 'TA EON' (page 15).

CD, MP3 PLAYER and CHANGER

CD PLAYBACK

This CD player is suitable only for 12cm disc, do not use irregular shaped CD.

- Slide the disc into the slot with label facing upwards.
- Playback starts.
- If a disc is already inserted :
Press **SOURCE** to select CD as the source. Playback starts.

Compressed Audio playback

On top of the usual audio playback, you are able to listen to compressed music files that conform to:

- MPEG 1/2 & 2.5 layer 3 at bit rate up to 320kbps or Variable Bit Rate (VBR), or
- WMA decoding: ver.9 or lower.

ID3 Tag version 1 and 2 are both supported.

Changing Directory in MP3

- Playback begins on the first file in the chosen directory.
- Press **▲** or **▼** to select desired directory.
When the end of album is reached, the playing function continues with the first track of the next album.

Notes on MP3/WMA

- The unit cannot read a music file that has a file extension other than 'MP3' or 'WMA'.

- The unit can play up to maximum 300 tracks and support maximum 50 directories per disc.
- The unit may not play the first tracks in the order of track number or in the order that you wrote them to the disc.
- The unit may not play the first session if the disc contains both CD audio tracks and MP3 files.
- When playing a disc of 8kbps or Variable Bit Rate (VBR), the elapsed play time in the display window may not be accurate.
- To display up to 30 characters for a track name or artist's name, ID3 Tag version 1.1 is required. Characters other than uppercase/lowercase letter ('Aa to Zz') and underscore ('_') may not be displayed.
- To enjoy high quality sound, we recommend conversion sampling frequency of 44.1kHz and a fixed bit rate of 128kbps.
- Make sure that a CD-R / CD-RW is formatted as a data disc and NOT as an audio disc.
- MP3 files are not compatible with packet write data transfer.

Playing a CD-R or CD-RW

Depending on the type of CD-R/CD-RW CD, surface condition of the disc, as well as the performance of the CD writer, certain CD-R/CD-RW CD may not operate normally on this unit.

Copy-protected CD playback

This CD player is able to play most of the copy-protected CDs in the market. CDs that use copy-protection schemes which are non-conformance to international audio CDs standards (Red Book) may not be supported by this unit.

CHANGER PLAYBACK (IF CONNECTED)

- You can connect an analogue compatible changer to this set.
- Check that the magazine is loaded with discs and inserted in the changer.
- Press **SOURCE** to select changer as the source:
- Press **▲** or **▼** to select the desired disc.
- For MP3 Changer press long press "**▲**" or "**▼**" to change desired directory.
- At the end of the disc, playback automatically continues with the next disc. Any missing disc is automatically skipped.
- By using an optional adapter you can also connect additional audio sources (e.g. iPod) to the radio via the changer control.

* Depending on version

PREVIOUS / NEXT TRACK (◀ or ▶)

- Short press the ◀ or ▶ button to select the desired track.
- Playback resumes with the chosen track.

FAST REWIND / FAST FORWARD (◀◀ or ▶▶)

- Long press the ◀◀ or ▶▶ button for more than 2 seconds to quickly move rewind or forward through the disc.
- Normal playback resumes when you release the button.

RANDOM TRACK PLAYBACK

- Press **RND** to activate/deactivate Random track playback.

REPEAT TRACK

- Press **RPT** to activate/deactivate Repeat current track.

SCAN TRACK

The scan function enables you to listen to the first few seconds of each track.

- Press **SCN** to activate/deactivate Scan track.
- Press ◀ or ▶ to start the scanning.

Note: You can select how many seconds each track is scanned, see 'SAM' (page 15); option 'SCANTIME'.

DISC EJECT (CD PLAYER)

- Press ▲ to eject the disc.

SPECIAL FUNCTIONS

Setting the clock (manually)

- See 'SAM' (page 15), option 'CLOCK'.

Note:

- You can select 12 hour or 24 hour clock display.
- See 'SAM' (page 15), option 'CLOCKSET'.

RDS clock (auto update)

You can select an automatic update of the clock via the RDS radio signal.

- See 'SAM' (page 15), option 'CLOCK'.
- The transmitted time via RDS can be incorrect.

SDVC (Speed Dependent Volume Control)

See 'INSTALLATION' (page 5) for connection instructions.

To compensate for surrounding noise, this function automatically increase the volume of the set with respect to the car's speed. Four compensation levels can be selected. Level 1

gives a small increase while level 4 gives a greater increase. See 'SAM' (page 5) option 'S-VOL' to select the level until you find one which suits your car.

Setting the service reminder

- See 'SAM' option 'SERIVCE' (PAGE16).

You can select the service distance unit

- See 'SAM', option 'UINT' (PAGE16).

You can select the interval distance of service

- See 'SAM', option 'INT' (page 16) to select the right interval distance.

You can select the service even.

- See 'SAM', option 'EVENT' (page 16) to select the reminder event you want.

Note:

- 'SERVICE' function is only valid when car speed calibrated.

Speed warning

You can set a safety speed, when your drive speed is faster than your setting safety speed, the radio will remind you. See 'SAM', option 'SPD' (PAGE13) to set your safety speed.

Note:

- This function is only valid when car speed is calibrated.

To calibrate:

To avoid unnecessary distraction we advise that this procedure is carried out with the help of somebody else.

- 1 While stationary, hold down the ▶ key and **SOUND** key at the same time.
- 2 The set mutes.
Display shows 'RECALIB' and '50KM/H' (30 MPH) alternately.
- 3 Now drive to 50 KM/H (30 MPH).
Always obey the highway code and current traffic restrictions and conditions!
- 4 Once 50KM/H (30 MPH) is reached, press **MENU** key. You hear a beep and display shows 'CALIB OK'.
- 5 Now turn the set off and then on again to return to normal operation. Level 2 is chosen for SDVC off set.

* Depending on version

CAR STEERING WHEEL REMOTE CONTROL *

A car steering wheel remote control can be connected to operate main functions of this radio (see also page 6).

you can programme up to 6 buttons of your car remote control to operate your radio.

You can program the wire remote control following these steps:

- Enter the "SAM" .
- Select the "SWRC ON".
- Long Press the preset button "4" to start the program.
- When it displays " VOL DOWN" , please press the corresponding button on your remote control.
- Whilst holding down the " VOL DOWN" button on the steering wheel remote control, press the preset button " 1" to confirm your setting. A " BEEP" shall be heard.
- Short press preset button "4" or "5" to select the previous or next option.
- Long press the preset "4" or "5" to exit the program.
- Switch OFF and ON the accessory / ignition key to reset the unit with the new pre-programmed functions.

By turning OFF and ON the accessory / ignition key, the unit will then reset it' s functions to the new pre-programmed functions

• Function list as below:

		TUNER	CASSETTE	CD/MP3	CHANGER
VOL DOWN	SP	Turn down the volume			
	LP				
VOL UP	SP	Turn up the volume			
	LP				
Source	SP	source change (scrolling) mute			
	LP				
▶	SP	search up	/	next track	
	LP	manual tuning		Fast forward	
◀	SP	search down		previous track	
	LP	manual tuning		Fast rewind	
PRESET	SP	select preset station		Return to the first track	select disc
	LP	return to the first preset station		scan	scan

Remark:

This function is only supported if the car steering wheel remote control is based on analogue RC3 standard.

For digitae standards (e.g. CAN or MOST) , please consult you deater for a suitasle adapter.

* Depending on version

SETUP

It is possible to modify many of the set's default settings according to your preferences via 'MENU'.

- Press "**SAM**" key to enter Setup Menu.
- Press ◀ or ▶ to select one of the options in the menu you want to modify.
- Adjust the **Rotary Knob** to select the value/setting.
- Press "**SAM**" key to exit Setup Menu.

The set automatically leaves this mode after 30 seconds if no key presses are made.

Option (◀ or ▶)	Value/Setting Rotary Knob	Usage
START	[3 to 47]	<ul style="list-style-type: none">– Select the start-up volume when power on.– After modification of the start-up volume, if the set is switched off and on within 10 minutes, the start-up volume reverts to the last used volume setting.– After modification of the start-up volume, if the set is switched off and on after more than 10 minutes later, the start-up volume is the level defined in 'SETUP'.
SDVC	[OFF, 1, 2, 3, 4]	Select the speed dependant volume control (only when connected and calibrated, see SDVC Volume' in 'INSTALLATION' and 'SPECIAL FUNCTIONS'). Level 1 provides a smaller increase while level 4 provides a greater increase with respect to the car's speed.
TAVOL	[3 to 47]	Select volume level of Traffic Announcement, News bulletins and Alarm messages.
TAOFFSET	[-2, -1, 0, +1, +2]	Volume level of TA to normal radio station.
TAFADE	[_7_, ..., _1_, 0, ^1, ^7]	Ajust traffica announcement sound position.
CD	[-2, -1, 0, +1, +2]	Volume level of CD relative to tuner.
CDC	[-2, -1, 0, +1, +2]	Volume level of CDC relative to tuner.
AUX IN	[-2, -1, 0, +1, +2]	Volume level of AUX IN relative to tuner.
SILENT	[SILENTMUTE1, ..., MUTE3]	Select mute level.
BEEP	[OFF, 1, 2, 3, 4, 5]	Select volume level of confirmation beeps.
RADIO	[EUROPE, ASIA, LATIN AMERICA]	Select the tuner according to European, American or Asia standards.
RDS	[RDS OFF, RDS ON]	Select 'RDS OFF' to switch off RDS feature.
REG	[REG ON, REG AUTO, REG OFF]	<ul style="list-style-type: none">– Select 'REG ON' to maintain regional programme,– Select 'REG AUTO' to switch programme when the next signal is stronger,– Select 'REG OFF' to directly switch to the programme of the next region.
AF	[ON, OFF]	Select 'OFF' to prevent the radio from returning to Alternative Frequencies.

* Depending on version

Option (◀ or ▶)	Value/Setting Rotary Knob	Usage
NEWS	[ON, OFF]	Activate/deactivate NEWS features.
MW	[MW ON, MW OFF]	Select 'OFF' to suppress MW when not required.
LW	[LW ON, LWOFF]	Select 'OFF' to suppress LW when not required.
SRCH	[SRCH REG, SRCH LOC, SRCHDX]	Select the right searching sensitivity.
TAEON	[DX, LOCAL]	With local only strongest EON-TA stations are selected, with DX also stations with a lower fieldstrength are used.
MULTS	[MULTSON, MULT OFF]	Select 'OFF' guarantees reading of copyprotected discs.
SCN TIME	[SCAN5SEC, SCAN10SEC, SCAN20SEC]	Select the scan time (station or track)
SCROLL	[SCROLL ON, SCROLL ONCE, SCROLL OFF]	Select 'NOScroll' display shows running play time in MP3 mode. Select 'SCR ONCE' to display the directory and the song title only once.
CLOCK	[CLOCK OFF, CLOCK MAN, CLOCKRDS]	Select 'CLOCK RDS' to activate RDS clock or 'CLOCK MAN' to set clock manually.
CLOCK FORMAT	[12HCLOCK, 24HCLOCK]	Select clock format between 12h format and 24h format.
SET CLOCK		if 'CLOCK MAN' selected; set the time. ◀ to adjust the hour digit, ▶ to adjust the minute digit.
LED	[ON, OFF]	Select 'OFF' to switch off the flashing warning light when the detachable panel is removed with ignition off.
LOGIC	[ON, OFF]	Select 'ON' to limit the use of the set to one hour when the car ignition is switch off. select 'OFF' to prevent the set from turning on when the car ignition is switch off. (only when A7 and A4 are connected correctly)
EDI	[ON, OFF]	Select 'ON' when external EDI Box is connected.
AUX	[ON, OFF]	Select 'ON' when auxiliary is connected.
TEL	[TEL OFF, MUTE LO, MUTE HI, TELIN LO, TELIN HI]	- Select 'TEL OFF' if no car phone is connected to the set. MUTE : Playback on current source is automatically interrupted when the car phone is in use. - Select 'MUTE HI' or 'MUTE LO' if only the mute line is connected to the radio (see installation instructions). MUTE HI = Radio switches to MUTE at 12V; MUTE LO = Radio switches to MUTE at 0V (according to phone type). TEL IN : Playback on current source is automatically interrupted when the car phone is in use and the incoming call is played on the car speakers. - Select 'TEL IN HI' or 'TEL IN LO' if your telephone input connected to the Radio (see installation instructions). TEL IN HI = Radio switches to telephone source at 12 V; TEL IN LO = Radio switches to telephone source at 0V (according to phone type).

* Depending on version

Option (◀ or ▶)	Value/Setting Rotary Knob	Usage
TEL	[TEL 1, TEL 2, TEL 3]	Select the TEL IN volume level.
ANGLE	[-1, 0, +1]	Select the viewing angle of the set's display.
SWRC	[ON, OFF]	Activate /deactivate the function of sire remote control.
UNIT	[KM, MIL]	Select distance unit
INT		Select the interval distance of service.
EVENT	[SERVICE OIL, TYPES, BRAKE, WASHER, WATER]	Select reminding event (only valid when car speed is calibrated).
SPD	[SPD ON, SPD OFF]	Select 'SPD ON' to activate the speed warning function (only valid when car speed calibrated).
SPEED		Select the warning speed figure.
COLOR	[O, G, D]	Select the color of the button illumination.

* Depending on version

TROUBLE SHOOTING

There may be times when you suspect that your car radio is not functioning as you would expect it to. Before calling for service, please read the operating / installation instructions and review the following checklists. You may find that an apparent malfunction can easily be rectified.

If you still have to send your set for service, always send the complete set (with detachable panel). Do not try to open the set to service it yourself.

Audio

Set does not function. No Display.

- Check fuse (set and car) and connections.
- Check the operating voltage.

Set functions but no sound.

- Adjust the volume of the set.
- Check fader and balance settings.
- Check aerial and its connection.
- If car phone is connected, see 'SAM' (page 15), check option 'TEL/HFREE'.

Set mutes and display shows 'TEL MUTE' or 'HRFEE' but the car telephone is not in used.

- See 'SAM' (page 15), check option 'TEL/HFREE'.

The sound from the speakers is reduced automatically.

- A built-in safety circuitry prevents the temperature in the set from exceeding a certain level.
- Wait for the temperature to decrease before increasing the volume.

Radio

Cannot tune to desired station.

- Check that the aerial is fully extended and properly connected.
- Check that the negative terminal (brown lead) is connected to earth (car chassis).
- Desired station is too weak, try Manual Tuning.

Display shows frequency (not station name).

- Set is tuned to non-RDS station.
- RDS function is switched off.

Radio mutes momentarily while display shows 'SEARCH' and station name/frequency alternately.

- Set is checking a list of Alternative Frequencies (AF) for the tuned radio station as reception is weak. In case no AF is transmitted for the tuned station, switch off AF.

Display shows 'NO TA', and set beeps at intervals.

- The tuned station becomes too weak to enable the reception of Traffic Announcements. Use search tuning to find another station.
- If the TA mode is switched on, search tuning only selects stations which enable the reception of Traffic Announcements.

CD / MP3 / CHANGER

Display shows 'CD ERR' and set beeps.

- Check that the disc have been inserted in the correct way and that you have not inserted a damaged or dirty disc.

Distorted sound during playback.

- Player unable to read disc. CD damaged or dirty.

Distorted sound during CD Changer playback

- Player unable to read disc. CD damaged or dirty.
- CD changer is switched to digital instead analogue.

CD player does not function.

- If the weather is cold, there may be some condensation on the laser. Use the set in radio mode for about 5 minutes to allow the moisture to evaporate.

Display shows 'NO CD' or 'NO DISC'.

- Check that the CD mechanism has been loaded with disc(s).

* Depending on version

