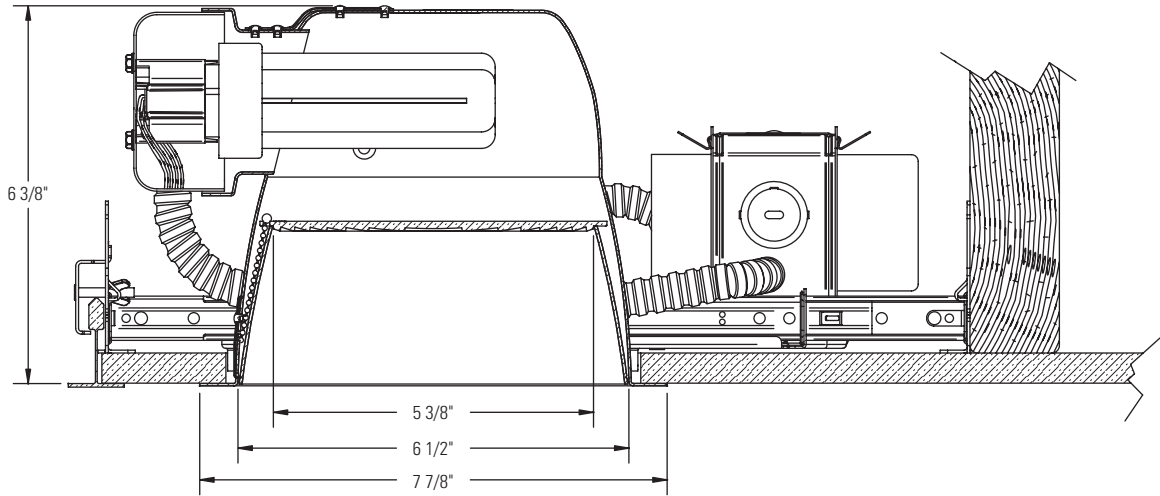


LIGHTOLIER® Performance Recessed CFL Downlighting **1101HLIE**

Page 1 of 2

6 ¾" Aperture Horizontal Lensed, Compact Fluorescent, Performance Series,
Integrated Emergency, Reflector Trim



Complete Fixture consists of Frame-In Kit and Reflector Trim. Select each separately.

Uniframe™ Compact Fluorescent Performance Series Reflector Trims

Compatible Frame In Kits (See Individual Frame-In Kit Spec Sheets)

Catalog No.	Description	Catalog No.	Installation Type	Lamping
1101HCLCIE	6 ¾" Horizontal Lensed Downlight - Clear - Integrated Emergency - Specular Clear	1101F2642UEL	Uniframe™ Non-IC	26W Quad/Triple
1101HCLFIE	6 ¾" Horizontal Lensed Downlight - Fresnel - Integrated Emergency - Specular Clear		High-Lumen Emergency 120/277V	32W Triple

Features

- Reflector:** Formed aluminum. Matte White flange.
- Finishes:** CL = Specular Clear (Iridescent Free coating)
- Performance Data:** 60° Cutoff angle.
See attached photometric reports for distribution and efficiency data.
Go to www.lightolier.com for .IES files.

Labels

cULus Listed. Suitable for Damp Locations. I.B.E.W.

Job Information

Type:

Job Name:

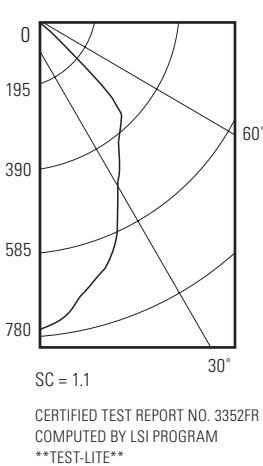
Cat. No.:

Lamp(s):

Notes:

631 Airport Road, Fall River, MA 02720 • (508) 679-8131 • Fax (508) 674-4710
We reserve the right to change details of design, materials and finish.
www.lightolier.com © 2008 Philips Group • B0908

32W TRIPLE TUBE LAMP, LUMEN RATING = 2200 LMS, ELECTRONIC BALLAST, CL FINISH TRIM WITH CLEAR LENS

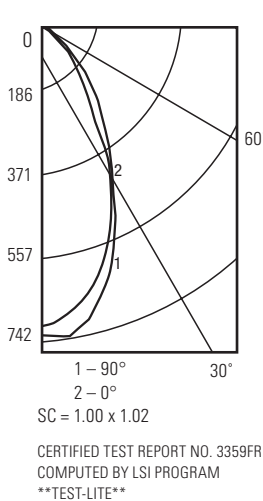


CANDLEPOWER SUMMARY			ZONAL LUMEN SUMMARY		ZONAL LUMENS AND PERCENTAGES			
Angle	0° CP		Zone	Lumens	Zone	Lumens	%Lamp	%Fixt
0	777		0-10	72.01	0-30	545.79	24.8	47
5	763		10-20	198.72	0-40	818.08	37.2	70.4
10	734		20-30	275.06	0-60	1146.99	52.1	98.7
15	688		30-40	272.29	0-90	1162.29	52.8	100
20	644		40-50	232.89	90-120	0	0	0
25	582		50-60	96.02	90-150	0	0	0
30	490		60-70	10.23	90-180	0	0	0
35	432		70-80	2.99	0-180	0	0	0
40	386		80-90	2.08	** Efficiency = 52.7% **			
45	359		90-100	0				
50	231		100-110	0				
55	113		110-120	0				
60	30		120-130	0				
65	7		130-140	0				
70	3		140-150	0				
75	3		150-160	0				
80	2		160-170	0				
85	2		170-180	0				
90	2							

COEFFICIENTS OF UTILIZATION														
Ceiling	80%				70%				50%					
	70	50	30	10	50	10	50	10	50	10	50	10		
Wall	70	50	30	10	50	10	50	10	50	10	50	10	0	
RCR	Zonal Cavity Method - Effective Floor Reflectance = 20%													
Room Cavity Ratio	0	63	63	63	63	61	61	59	59	56	56	56	56	53
1	59	58	56	55	56	55	52	52	51	51	51	51	48	
2	56	52	50	48	52	49	50	46	48	45	43	43	43	
3	52	48	45	42	47	44	46	41	44	40	39	39	39	
4	49	44	40	37	43	40	42	37	41	36	35	35	35	
5	45	40	36	33	39	36	38	33	37	33	33	33	31	
6	42	37	33	30	36	33	35	30	35	30	30	29	29	
7	40	34	30	27	33	30	33	27	33	27	27	26	26	
8	37	31	28	25	31	27	30	25	30	25	25	24	24	
9	35	29	25	23	29	25	28	23	28	23	23	22	22	
10	33	27	23	21	27	23	26	21	26	21	21	20	20	

Determined In Accordance With Current IES Published Procedures
Luminaire Input Watts = 35

32W TRIPLE TUBE LAMP, LUMEN RATING = 2200 LMS, ELECTRONIC BALLAST, CL FINISH TRIM WITH FRESNEL LENS

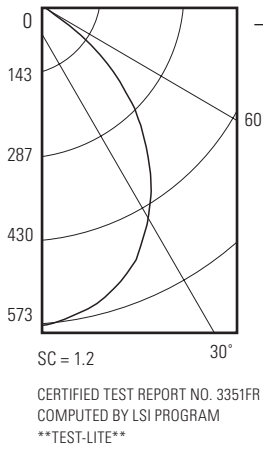


CANDLEPOWER SUMMARY			ZONAL LUMEN SUMMARY		ZONAL LUMENS AND PERCENTAGES			
Angle	0° CP	90° CP	Zone	Lumens	Zone	Lumens	%Lamp	%Fixt
0	715	715	0-10	68.88	0-30	506.3	23	50.3
5	712	730	10-20	192.34	0-40	727.96	33.1	72.3
10	694	742	20-30	245.08	0-60	986.94	44.9	98
15	652	701	30-40	221.66	0-90	1007.01	45.8	100
20	598	631	40-50	168.88	90-120	0	0	0
25	520	544	50-60	90.1	90-150	0	0	0
30	440	437	60-70	14.8	90-180	0	0	0
35	365	330	70-80	3.09	0-180	1007.01	45.8	100
40	299	244	80-90	2.18	** Efficiency = 45.8% **			
45	242	198	90-100	0				
50	185	159	100-110	0				
55	105	94	110-120	0				
60	42	41	120-130	0				
65	9	9	130-140	0				
70	3	4	140-150	0				
75	3	3	150-160	0				
80	2	2	160-170	0				
85	2	2	170-180	0				
90	2	2						

COEFFICIENTS OF UTILIZATION													
Ceiling	80%				70%				50%				
	70	50	30	10	50	10	50	10	50	10	50	10	
Wall	70	50	30	10	50	10	50	10	50	10	50	10	0
RCR	Zonal Cavity Method - Effective Floor Reflectance = 20%												
Room Cavity Ratio	0	54	54	54	54	53	53	51	51	49	49	49	46
1	51	50	49	47	49	47	47	45	45	44	44	42	
2	48	46	43	41	45	41	43	40	42	39	38	38	
3	45	42	39	37	41	36	40	36	39	35	34	34	
4	42	38	35	33	38	33	36	32	36	32	31	31	
5	40	35	32	29	34	29	34	29	33	29	28	28	
6	37	32	29	27	32	27	31	26	30	26	25	25	
7	35	30	27	24	29	24	29	24	28	24	24	23	
8	33	28	24	22	27	24	27	22	26	22	22	21	
9	31	26	23	20	25	20	25	20	25	20	20	19	
10	29	24	21	19	24	19	23	19	23	19	19	18	

Determined In Accordance With Current IES Published Procedures
Luminaire Input Watts = 33.0

32W TRIPLE TUBE LAMP, LUMEN RATING = 2200 LMS, ELECTRONIC BALLAST, CL FINISH TRIM WITH OPAL LENS



CANDLEPOWER SUMMARY			ZONAL LUMEN SUMMARY		ZONAL LUMENS AND PERCENTAGES			
Angle	0° CP		Zone	Lumens	Zone	Lumens	%Lamp	%Fixt
0	573		0-10	54.19	0-30	430.92	19.6	42.6
5	571		10-20	153.56	0-40	676.51	30.8	66.9
10	564		20-30	223.16	0-60	993.57	45.2	98.2
15	549		30-40	245.6	0-90	1011.87	46	100
20	524		40-50	211.31	90-120	0	0	0
25	491		50-60	105.76	90-150	0	0	0
30	448		60-70	13.51	90-180	0	0	0
35	398		70-80	2.57	0-180	1011.87	46	100
40	339		80-90	2.22	** Efficiency = 46% **			
45	278		90-100	0				
50	210		100-110	0				
55	113		110-120	0				
60	39		120-130	0				
65	8		130-140	0				
70	3		140-150	0				
75	2		150-160	0				
80	2		160-170	0				
85	2		170-180	0				
90	2							

COEFFICIENTS OF UTILIZATION													
Ceiling	80%				70%				50%				
	70	50	30	10	50	10	50	10	50	10	50	10	
Wall	70	50	30	10	50	10	50	10	50	10	50	10	0
RCR	Zonal Cavity Method - Effective Floor Reflectance = 20%												
Room Cavity Ratio	0	55	55	55	55	53	53	51	51	49	49	49	46
1	52	50	49	47	49	47	47	45	45	44	44	42	
2	48	45	43	41	44	41	43	40	42	39	37	37	
3	45	41	38	36	40	36	39	35	38	34	33	33	
4	42	37	34	32	37	31	36	31	35	31	30	30	
5	39	34	31	28	34	28	33	28	32	28	26	26	
6	36	31	28	25	31	25	30	25	29	25	24	24	
7	34	29	25	23	28	23	28	23	27	22	21	21	
8	32	26	23	21	26	21	25	20	25	20	19	19	
9	30	24	21	19	24	19	24	19	23	19	19	18	
10	28	23	19	17	22	17	22	17	22	17	17	16	

Determined In Accordance With Current IES Published Procedures
Luminaire Input Watts = 35.0

Job Information Type:

631 Airport Road, Fall River, MA 02720 • (508) 679-8131 • Fax (508) 674-4710
We reserve the right to change details of design, materials and finish.
www.lightolier.com © 2008 Philips Group • B0908