

Tanaka Illustrated Parts Manual

Model Number:

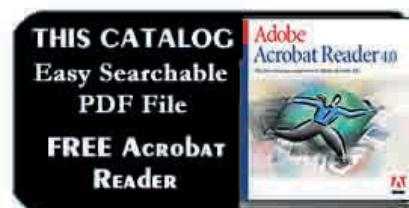
TPE-2501

24cc Portable Edger

P/N 30209

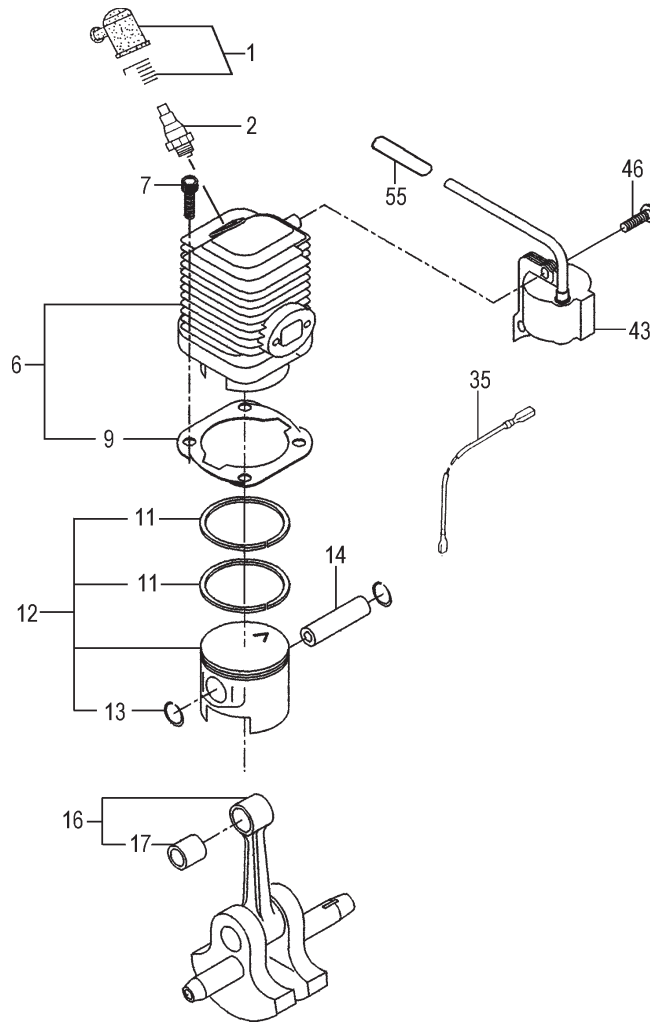
Rev 000

Date 5-7-07

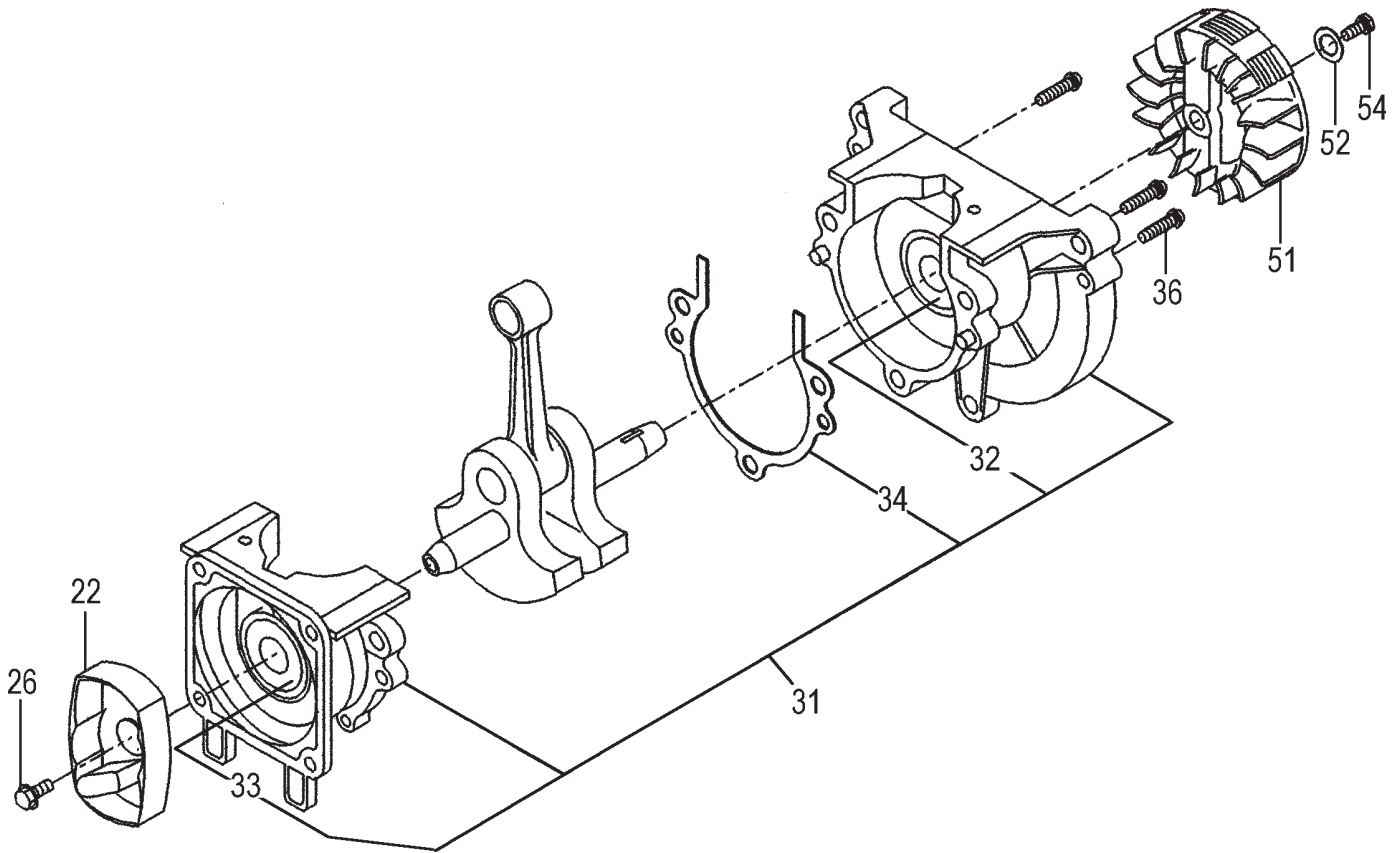


Nikko Tanaka Engineering U.S.A.,Ltd. • 1028 4th Street SW, Bldg B • Auburn, WA 98001 • Phone: (253) 333-1200 • Fax: (253) 333-1212

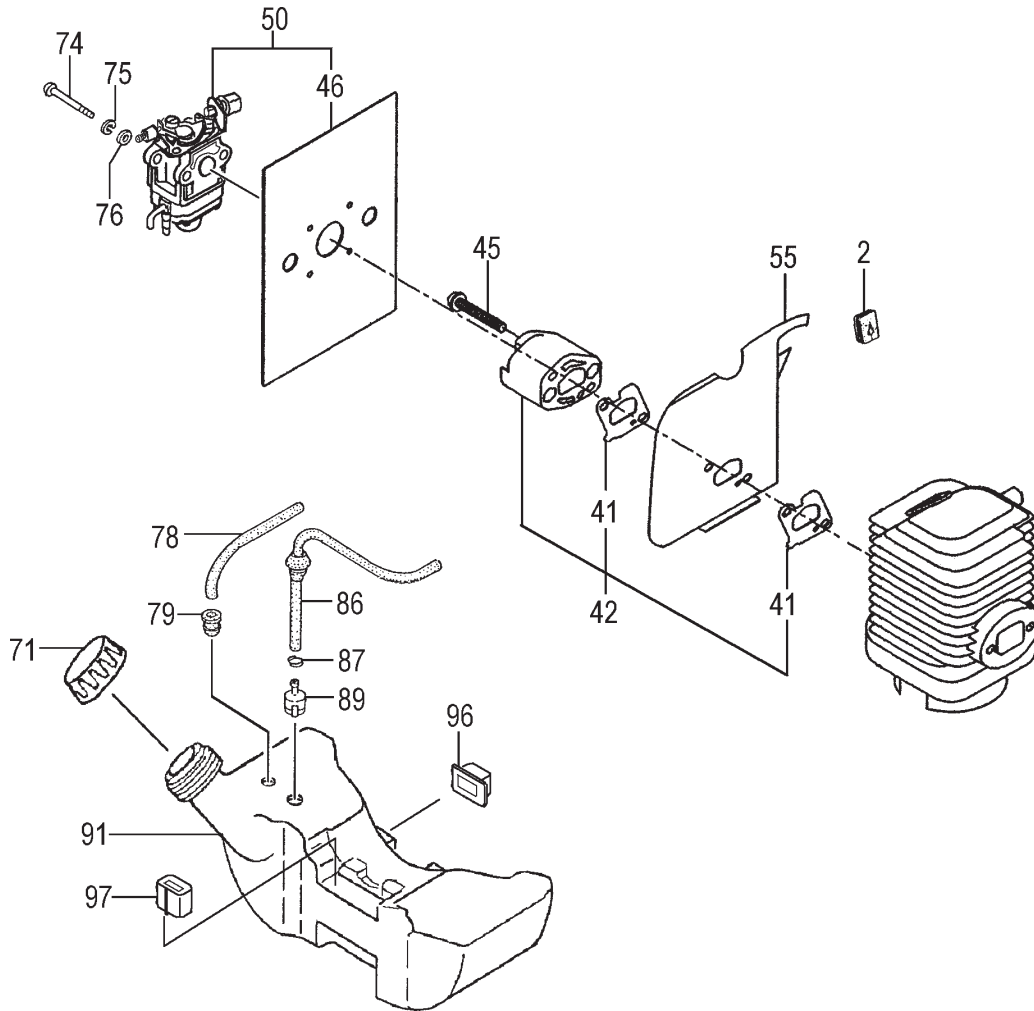
CYLINDER, PISTON, CRANKSHAFT, IGNITION • FIGURE 1



ITEM	PART NUMBER	DESCRIPTION	QTY	COMMENTS
1-1	15701570900	CAP, SPARK PLUG, ASS'Y	1	
1-2	01802233200	PLUG, SPARK	1	
1-6	0010706090	SET, CYLINDER	1	Includes cylinder gasket
1-7	99464050204	SCREW, 5X20, WS	2	
1-9	0170706020	GASKET, CYLINDER	1	
1-11	0410706020	RING, PISTON	2	
1-12	0300706590	SET, PISTON	1	W200471~
1-12	0300706090	SET, PISTON	1	~W200470
1-13	0390706020	CIRCLIP, PISTON PIN	2	
1-14	0370706020	PIN, PISTON	1	~W200470
1-14	0370706520	PIN, PISTON	1	W200471~
1-16	0460706090	CRANKSHAFT	1	
1-17	0890706080	BEARING, NEEDLE	1	
1-35	1780603180	CORD, B260M	1	
1-43	1670706080	COIL, IGNITION	1	
1-46	99416040201	SCREW, 4x20 WS	2	
1-55	2500706020	TUBE, INSULATOR	1	

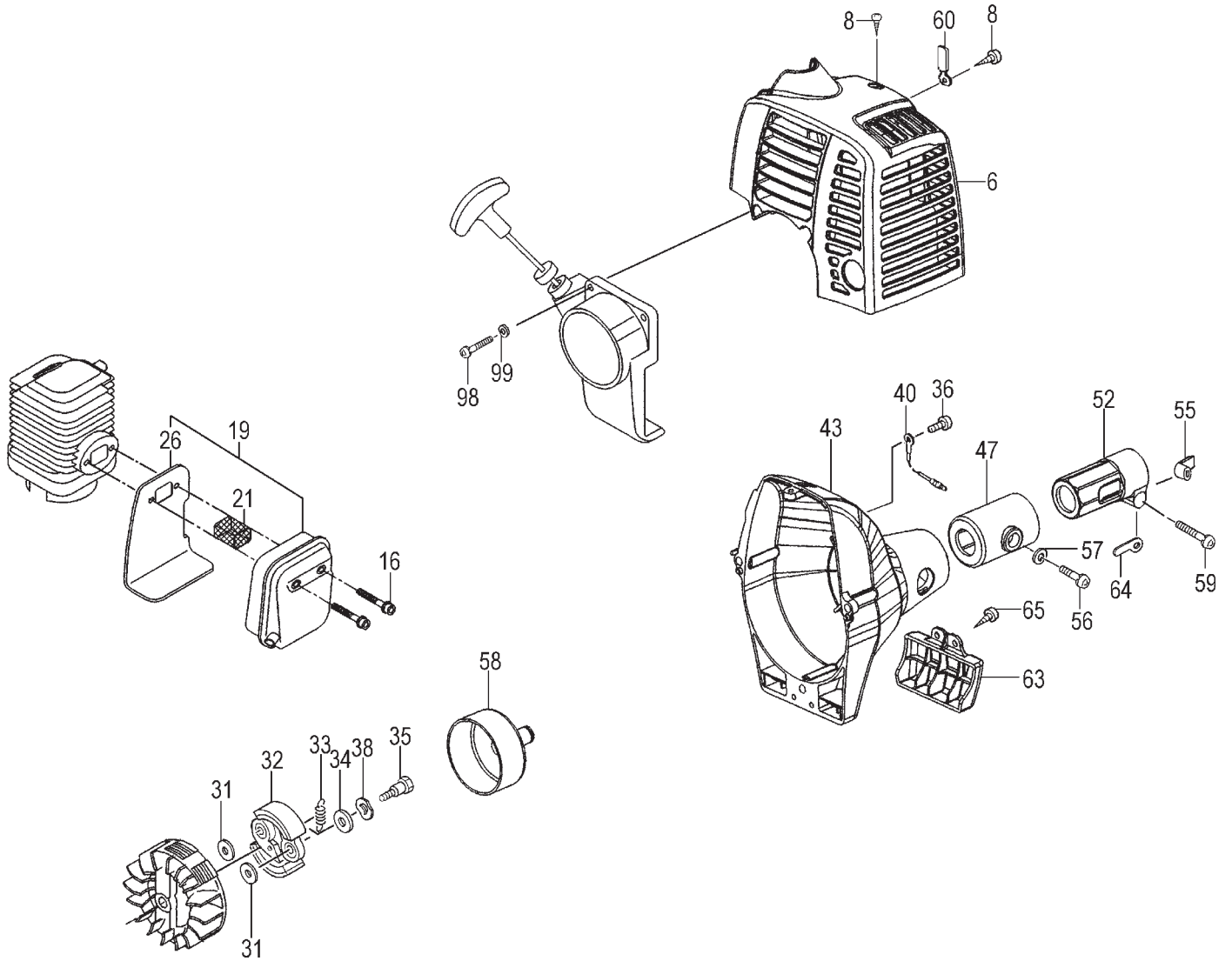


ITEM	PART NUMBER	DESCRIPTION	QTY	COMMENTS
2-22	7980706090	PULLEY, STARTER	1	
2-26	3800706080	BOLT, M6	1	
2-31	0720706090	CRANKCASE, ASS'Y	1	Crankcase ass'y includes bearings, oil seals and gasket
2-32	99961600100	BEARING, BALL, #6001	2	
2-33	99966122272	SEAL, OIL 122245	2	
2-34	0900706020	GASKET, CRANKCASE	1	
2-36	99414050251	SCREW, 5X25	3	
2-51	1550706080	ROTOR, MAGNETO	1	
2-52	1820706020	WASHER, SPECIAL, M6	1	
2-54	99421060161	BOLT, 6X16S	1	

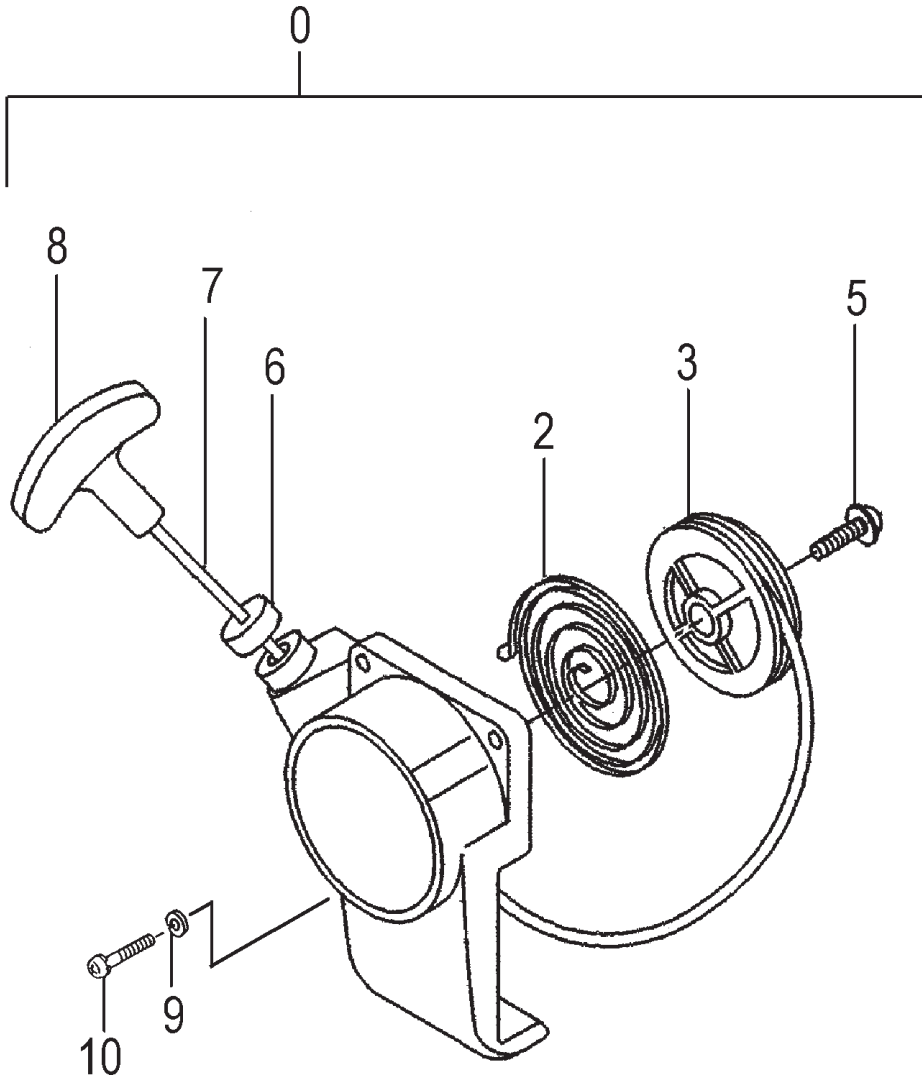


ITEM	PART NUMBER	DESCRIPTION	QTY	COMMENTS
3-2	2030706020	GROMMET	1	
3-41	4030706020	GASKET,INTAKE MANIFOLD	2	
3-42	4040706090	SET,INSULATOR	1	
3-45	99416050251	SCREW,5X25/S	2	
3-46	4020706020	GASKET,CARBURETOR	1	
3-50	4550706090	SET,CARBURETOR	1	
3-55	1320706020	SHIELD	1	
3-71	5950300290	CAP,TANK (BLACK/RED)	1	
3-74	99011050651	SCREW,5X65	2	
3-75	99210050012	WASHER,S,5	2	
3-76	99201050011	WASHER,5	2	
3-78	7000300507	PIPE,FUEL,3X5X75	1	
3-79	53432710200	GROMMET,FUEL PIPE	1	
3-86	2230162V900	PIPE,FUEL,ASS'Y	1	
3-87	68000731201	CLIP 6.3	1	
3-89	6750404280	FILTER,FUEL	1	
3-91	5910706080	TANK,FUEL	1	
3-96	65500940201	CUSHION,FUEL TANK	2	
3-97	6010706020	CUSHION,TANK	2	

CLUTCH, CLUTCH CASE, MUFFLER • FIGURE 4



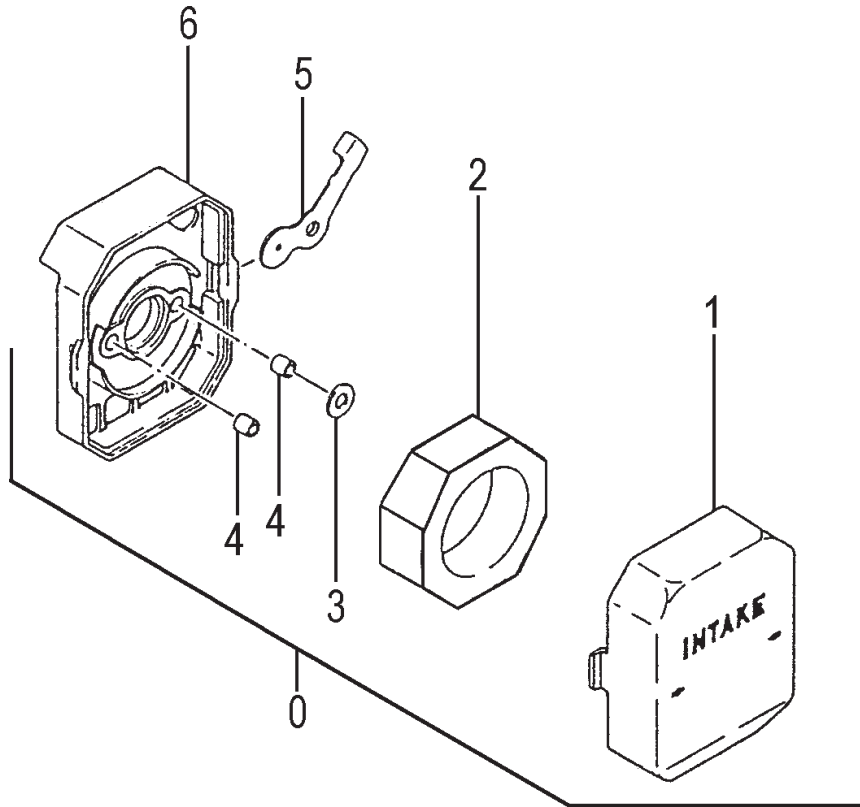
ITEM	PART NUMBER	DESCRIPTION	QTY	COMMENTS
4-6	7380706020	COVER,MUFFLER	1	
4-8	99073045104	SCREW,TAPPING,4.5X10	3	
4-16	99460050454	SCREW,5X45W	2	
4-19	7040706090	SET,MUFFLER	1	
4-21	7320706020	ARRESTOR,SPARK	1	
4-26	1330706020	SHIELD,HEAT	1	
4-31	35902103200	WASHER,CLUTCH,B	2	
4-32	29001620800	SHOE,CLUTCH	2	
4-33	3420630B200	SPRING,CLUTCH	1	
4-34	3480602R200	WASHER,CLUTCH A	2	
4-35	3570075T200	BOLT,STEP	2	
4-36	99416050162	SCREW,5X16/WS	3	
4-38	99205080030	WASHER,8	2	
4-40	17900025800	CORD,STOP	1	
4-43	1120706081	CASE,FAN	1	
4-47	5990098021	CUSHION,RUBBER	1	
4-52	3600099620	PIPE HOLDER,TPE	1	
4-55	3610099020	FITTING,METAL	1	
4-56	99051050163	BOLT,HEX,5X16	1	
4-57	99201050061	WASHER,5	1	
4-58	2890706380	SHAFT,CLUTCH	1	
4-59	99461050254	BOLT,HEX HOLE,5X25S	1	
4-60	19805015800	CLAMP,CORD	1	
4-63	9410706020	STAND	1	
4-64	3243735020	WASHER,GEAR CASE	1	
4-98	99461050204	BOLT,HEX,HOLE,5X20,S	2	
4-99	99200050061	WASHER,SMALL,5	2	



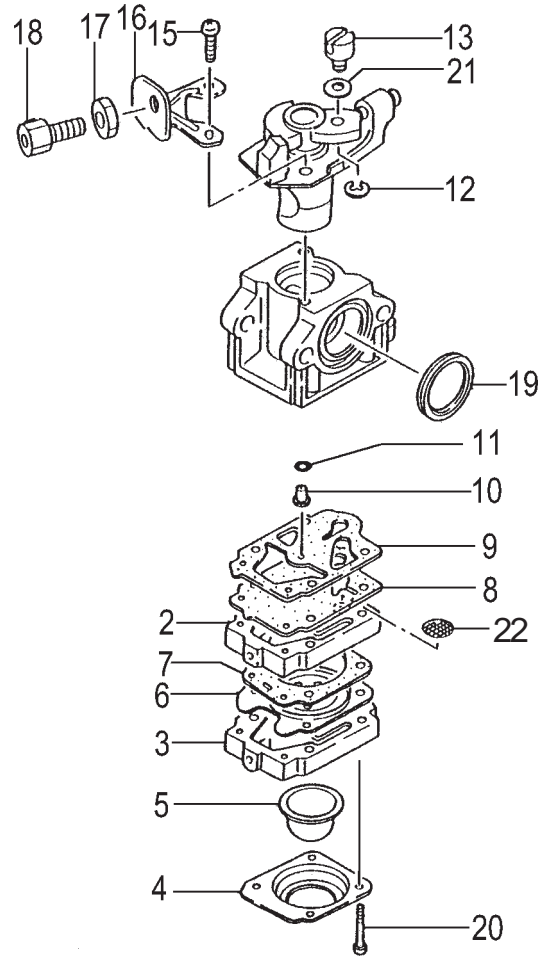
748733

Consider ordering the 748733, S-Start Kit if you are replacing the starter assy. It decreases the pull-effort by 60%. They are dependable and easy to install.

ITEM	PART NUMBER	DESCRIPTION	QTY	COMMENTS
5-0	7620706090	STARTER,RECOIL ASS'Y	1	
5-2	7790706020	SPRING,RECOIL	1	
5-3	7740706020	PULLEY,STARTER	1	
5-5	8390706020	BOLT,SET	1	
5-6	7800706020	GUIDE,ROPE	1	
5-7	7830706020	ROPE,STARTER	1	
5-8	7850706020	HANDLE,STARTER	1	
5-9	99200050061	WASHER,SMALL,5	2	
5-10	99461050204	BOLT,HEX,HOLE,5X20,S	2	



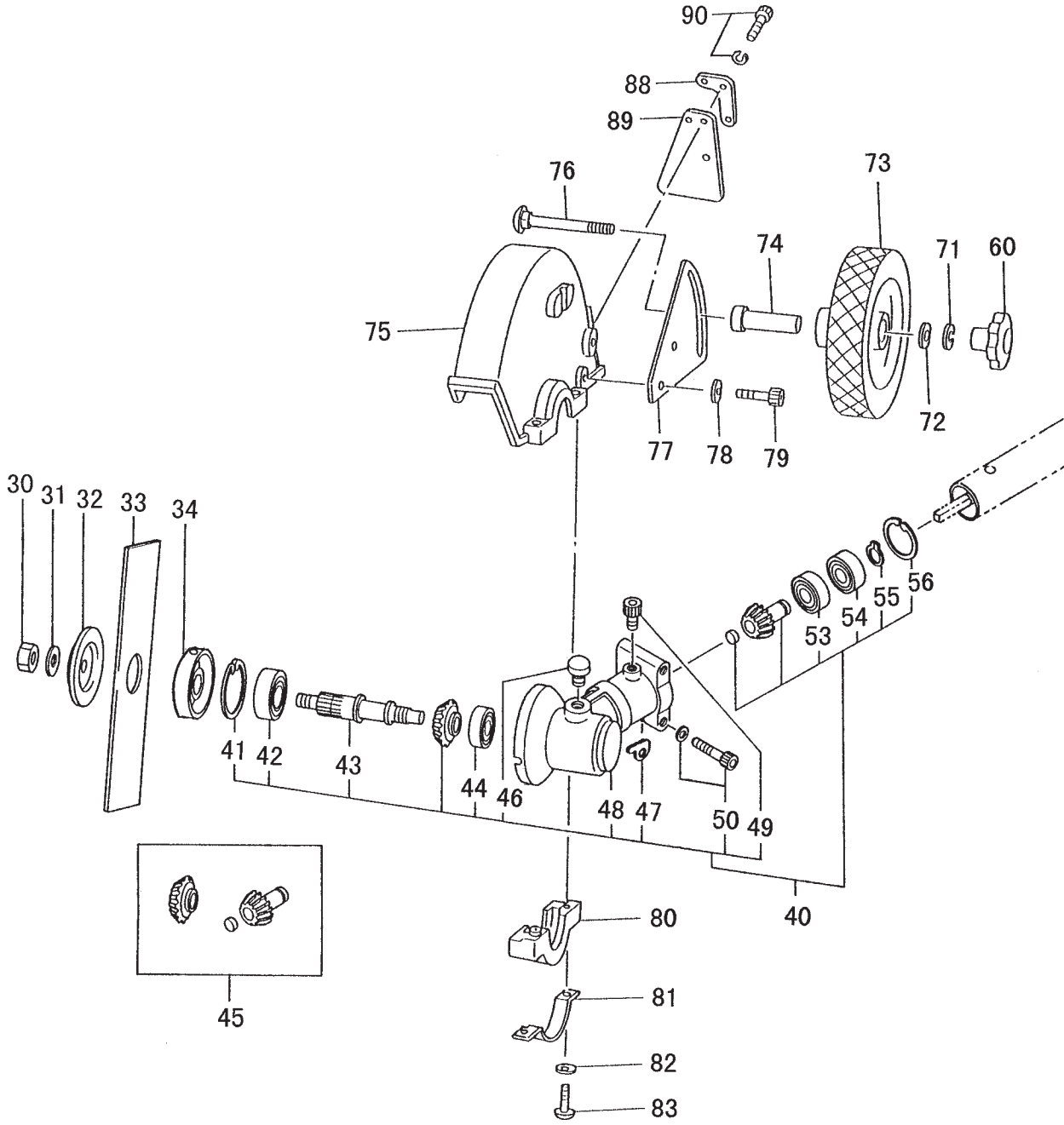
ITEM	PART NUMBER	DESCRIPTION	QTY	COMMENTS
6-0	4100650D90	AIR CLEANER ASSY	1	
6-1	4240602K201	CAP,CLEANER	1	
6-2	4460602K200	ELEMENT,CLEANER	1	
6-3	4530602K200	COLLAR	1	
6-4	47000025200	COLLAR	2	
6-5	5280635A200	PLATE,CHOKE	1	
6-6	4230072Z81	BODY,CLEANER	1	



ITEM	PART NUMBER	DESCRIPTION	QTY	COMMENTS
7-2	5752515380	BODY,PUMP	1	
7-3	4422515180	PUMP,PRIMING	1	
7-4	4762515120	COVER,DIAPHRAGM	1	
7-5	44725108200	BULB,PRIMING	1	
7-6	----	DIAPHRAGM	1	~ Contained in Carb Repair Kit
7-7	----	GASKET,DIAPHRAGM	1	P/N 650-25124-900
7-8	----	DIAPHRAGM,PUMP	1	(Not available individually)
7-9	----	GASKET,PUMP	1	
7-10	5992000W430	JET,MAIN,#43	1	
7-11	55025100200	O-RING	1	
7-12	48925100200	RING,STOP	1	
7-13	53925120200	SWIVEL	1	
7-15	51425100200	SCREW,THROTTLE SET	2	
7-16	54425164200	STAY,ADJUST,CABLE	1	
7-17	99101060013	NUT,6	1	
7-18	61425137200	ADJUSTER,CABLE	1	
7-19	4310634C200	GASKET,CLEANER	1	
7-20	5482515120	SCREW,SET	4	
7-21	5492516520	WASHER,THRUST	1	
7-22	57825007200	SCREEN,INLET	1	

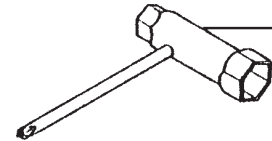
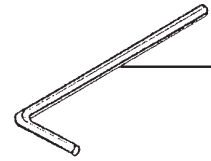
HANDLE, THROTTLE LEVER, SHAFT • FIGURE 8

ITEM	PART NUMBER	DESCRIPTION	QTY	COMMENTS
8-1	3533729090	SET,DRIVE SHAFT PIPE	1	
8-2	3413729020	PIPE,DRIVE SHAFT	1	
8-3	3443729020	SHAFT,FLEXIBLE	1	
8-4	3503729020	LINER,FLEXIBLE	1	
8-5	3203729020	SPACER	1	
8-9	8853739480	WIRE,THROTTLE	1	
8-20	5003331620	HANDLE	1	
8-21	50633316200	BRACKET,HANDLE A	1	
8-22	99023060401	BOLT,P,6X40	2	
8-23	99101060011	NUT,6	2	
8-24	99201060011	WASHER,6	2	
8-25	8703728690	LEVER,THROTTLE ASS'Y	1	
8-26	1623710120	SWITCH,STOP	1	
8-27	99342030081	SCREW, TAPPING, 3X8	3	
8-28	25937101200	BASE,STOP SWITCH	1	
8-29	26237101200	SPRING,STOP SWITCH	1	
8-30	17737101200	TERMINAL,EARTH B	1	
8-31	17637101200	TERMINAL,EARTH A	1	
8-32	3153334020	NUT,SPECIAL 5MM	2	
8-33	99355060001	RING,STOP,6	1	
8-34	83237101200	SPRING,RETURN	1	
8-35	88037101200	LEVER,THROTTLE	1	
8-36	99431050201	SCREW,5X20	2	
8-37	85337101200	SHAFT,LOCK BUTTON	1	
8-38	95837101200	SPRING,LOCK,BUTTON	1	
8-39	95637101200	BUTTON,LOCK	1	
8-40	2603331720	BODY,STOP BUTTON,B	1	
8-41	1783739480	CORD,STOP 430mm	2	
8-47	1641001900	TUBE,PROTECTION	1	
8-49	50437300200	GRIP,SHAFT	1	



GEAR CASE, WHEEL, BLADE, GUARD • FIGURE 9

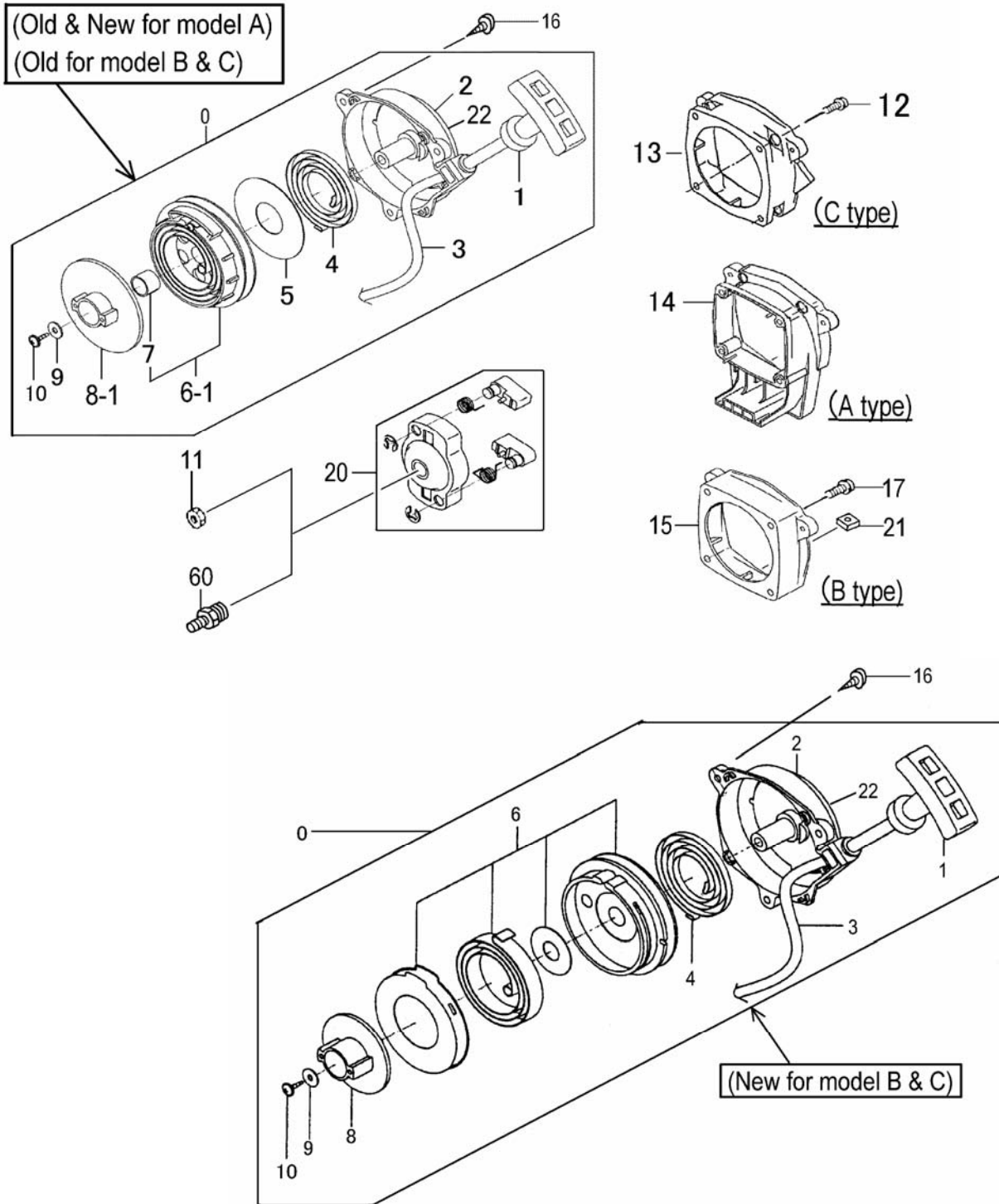
ITEM	PART NUMBER	DESCRIPTION	QTY	COMMENTS
9-30	99106080001	NUT,8/L.H.	1	
9-31	99201080011	WASHER,8	1	
9-32	3113729020	CAP,CUTTER HOLDER	1	
9-33	4353729020	BLADE,TPE-250	1	
9-34	3103729022	HOLDER,CUTTER	1	
9-40	3003729090	CASE,GEAR,ASSY	1	
9-41	99351032002	RING,STOP,C-32 IN	1	
9-42	99961620103	BEARING,BALL #6201D	1	
9-43	3043729020	SHAFT,GEAR	1	
9-44	99961628000	BEARING,BALL,#628	1	
9-45	3013729000	SET,GEAR/PINION	1	
9-46	99423080100	BOLT,8X10	1	
9-47	32433410201	WASHER,GEAR CASE	1	
9-48	3003729021	CASE,GEAR	1	
9-49	99051050103	BOLT,HEX.HOLE,5X10	1	
9-50	99461050254	BOLT,HEX HOLE,5X25S	1	
9-53	99961609000	BEARING,BALL,#609	1	
9-54	99961609002	BEARING,BALL,#609Z	1	
9-55	99350009002	RING,STOP,C9	1	
9-56	99351024002	RING,STOP,C-24,IN	1	
9-60	2103729080	HANDLE,LOCK	1	
9-71	99210080012	WASHER,S,8	1	
9-72	99201080011	WASHER,8	1	
9-73	1203729480	WHEEL,TPE,6"	1	
9-74	0493729420	COLLAR	1	
9-75	4413729022	GUARD,BLADE	1	
9-76	3143729420	BOLT,SPECIAL	1	
9-77	4813729420	STAY,WHEEL	1	
9-78	99210060062	WASHER,S,6	2	
9-79	99053060153	BOLT,HEX,6X15	2	
9-80	4423729021	BRACKET,COVER	1	
9-81	4453729420	HOLDER,BLADE GUARD	1	
9-82	99210060062	WASHER,S,6	2	
9-83	99053060353	HEX, HOLE BOLT 6X35	2	
9-88	4963729020	HOLDER,MUD FLAP	1	
9-89	5003729020	FLAP,MUD	1	
9-90	99461050124	BOLT,HEX,5X12S	3	



ITEM	PART NUMBER	DESCRIPTION	QTY	COMMENTS
10-2	9060706320	DECAL,MODEL TPE-2501	1	
10-3	91505015200	DECAL,SYMBOL	1	
10-4	9233370020	DECAL,LEVEL	1	
10-6	91933111201	DECAL,CAUTION	1	
10-16	9193728620	DECAL,CAUTION	1	
10-17	9203246620	DECAL,CAUTION	1	
10-30	81320000200	WRENCH,HEX,4	1	
10-31	8262000080	SPANNER,COMBI,17X19	1	

S · START KIT

	Order Number
A --- TBC2501/D, TPH2501, TPS-2501, TPE2501	748733
B --- TBC230/230B/230D	748744
C --- TBC290/290D/340/340D	748732



S-Start Parts Information

REF. NUMBER	PART NUMBER	DESCRIPTION	Q'TY		
			A	B	C
	756-07075-00	S·START KIT (TBC2501)	1		
	756-07120-00	S·START KIT (TBC230)		1	
	756-07027-00	S·START KIT (TBC290)			1
000	762-07075-90	RECOIL STARTER BODY ASS'Y	1		
000	762-07085-90	RECOIL STARTER BODY ASS'Y		1	
000	762-07027-90	RECOIL STARTER BODY ASS'Y			1
001	785-07085-20	STARTER HANDLE	1	1	1
002	772-07085-80	RECOIL STARTER BODY COMP,	1	1	1
003	783-07085-20	RECOIL ROPE	1	1	1
004	780-07085-20	RECOIL SPRING	1	1	1
005	786-07085-20	SPRING PLATE	1	1	1
006,1	778-07027-90	RECOIL SPRING CASE ASS'Y	1		1
006,1	778-07085-90	RECOIL SPRING CASE ASS'Y		1	
006,1	778-07075-90	RECOIL SPRING CASE ASS'Y	1		
006	778-07085-91	SORING CASE ASS'Y		1	1
007	328-07085-20	STARTER BUSH	1	1	1
008,1	774-07075-20	STARTER PULLEY	1		
008,1	774-07085-20	STARTER PULLEY		1	
008,1	774-07027-20	STARTER PULLEY			1
008	774-07085-21	STARTER PULLEY		1	
009	182-07085-20	SPECIAL WASHER 5.2X15	1	1	1
010	990-72050-144	TAPPING SCREW 5X14	1	1	1
011	991-01080-011	HEX. NUT 8			1
012	994-64040-185	HEX. HOLE BOLT 4X18WS			4
013	806-07027-20	STARTER BASE			1
014	806-07070-20	STARTER BASE	1		
015	806-07120-20	STARTER BASE		1	
016	990-73045-144	TAPPING SCREW 4.5X14	3	3	3
017	994-64040-125	HEX. HOLE BOLT 4X12WS		4	
020	798-07085-90	STARTER PULLEY ASS'Y	1	1	1
021	991-91050-001	SQUARE NUT 5		1	
022	915-07078-20	STARTER MARK (S·START)	1	1	1
060	314-07070-20	SPECIAL BOLT	1		

Date: September 2000

Model & Serial: TPE-250
 All Units

Reason: The newer style of guard assembly is now available as an assembly. This assembly can be used to update the older style edgers, thus improving ease of height adjustment.
 All components depicted below are included. Individual part numbers can be found in the parts catalog for the TPE-2510, TPE-270PF or TPE-270PN.
 Gear cases are common between all models, so it is not necessary to replace the gear case when updating an older model to the newer style guard.

Part Number Changes:

Old Part #	New Part #	Description	Remarks
	441-37294-00	Safety Guard Assembly	

