

# Instructions for use

## WASHING MACHINE

**GB**

English,1

**RO**

Română,13

**IWB 5065**

### Contents

#### Installation, 2-3

Unpacking and levelling  
Connecting the electricity and water supplies  
The first wash cycle  
Technical data

#### Description of the washing machine and starting a wash cycle, 4-5

Control panel  
Indicator lights  
Starting a wash cycle

#### Wash cycles, 6

Table of wash cycles

#### Personalisation, 7

Setting the temperature  
Functions

#### Detergents and laundry, 8

Detergent dispenser drawer  
Bleach cycle  
Preparing the laundry  
Garments requiring special care  
Load balancing system

#### Precautions and tips, 9

General safety  
Disposal  
Opening the porthole door manually

#### Care and maintenance, 10

Cutting off the water or electricity supply  
Cleaning the washing machine  
Cleaning the detergent dispenser drawer  
Caring for the door and drum of your appliance  
Cleaning the pump  
Checking the water inlet hose

#### Troubleshooting, 11

#### Service, 12

# Installation

GB

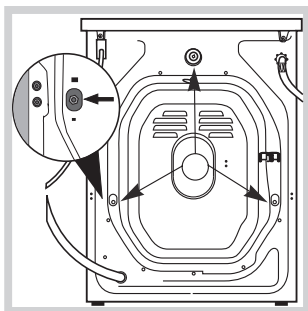
! This instruction manual should be kept in a safe place for future reference. If the washing machine is sold, transferred or moved, make sure that the instruction manual remains with the machine so that the new owner is able to familiarise himself/herself with its operation and features.

! Read these instructions carefully: they contain vital information relating to the safe installation and operation of the appliance.

## Unpacking and levelling

### Unpacking

1. Remove the washing machine from its packaging.
2. Make sure that the washing machine has not been damaged during the transportation process. If it has been damaged, contact the retailer and do not proceed any further with the installation process.



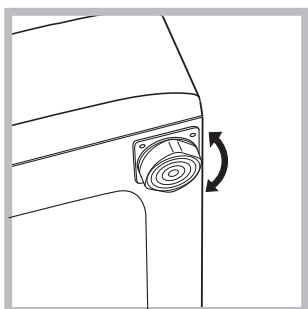
3. Remove the 3 protective screws (used during transportation) and the rubber washer with the corresponding spacer, located on the rear part of the appliance (see figure).

4. Close off the holes using the plastic plugs provided.
5. Keep all the parts in a safe place: you will need them again if the washing machine needs to be moved to another location.

! Packaging materials should not be used as toys for children.

### Levelling

1. Install the washing machine on a flat sturdy floor, without resting it up against walls, furniture cabinets or anything else.

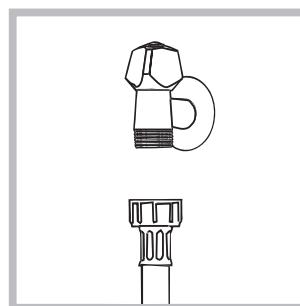


2. If the floor is not perfectly level, compensate for any unevenness by tightening or loosening the adjustable front feet (see figure); the angle of inclination, measured in relation to the worktop, must not exceed 2°.

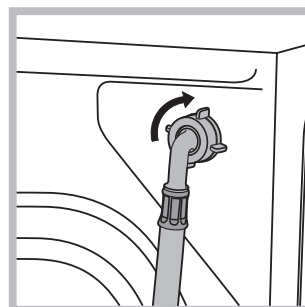
Levelling the machine correctly will provide it with stability, help to avoid vibrations and excessive noise and prevent it from shifting while it is operating. If it is placed on carpet or a rug, adjust the feet in such a way as to allow a sufficient ventilation space underneath the washing machine.

## Connecting the electricity and water supplies

### Connecting the water inlet hose



1. Connect the supply pipe by screwing it to a cold water tap using a 3/4 gas threaded connection (see figure). Before performing the connection, allow the water to run freely until it is perfectly clear.



2. Connect the inlet hose to the washing machine by screwing it onto the corresponding water inlet of the appliance, which is situated on the top right-hand side of the rear part of the appliance (see figure).

3. Make sure that the hose is not folded over or bent.

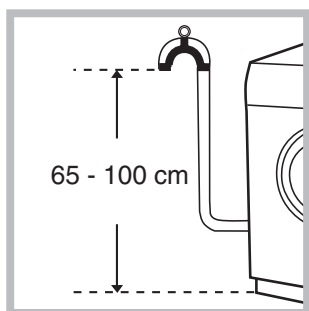
! The water pressure at the tap must fall within the values indicated in the Technical details table (see next page).

! If the inlet hose is not long enough, contact a specialised shop or an authorised technician.

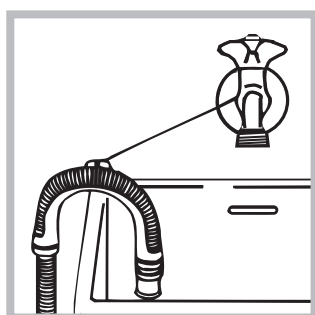
! Never use second-hand hoses.

! Use the ones supplied with the machine.

### Connecting the drain hose



Connect the drain hose, without bending it, to a drainage duct or a wall drain located at a height between 65 and 100 cm from the floor;



alternatively, rest it on the side of a washbasin or bathtub, fastening the duct supplied to the tap (see figure). The free end of the hose should not be underwater.

! We advise against the use of hose extensions; if it is absolutely necessary, the extension must have the same diameter as the original hose and must not exceed 150 cm in length.

### Electrical connections

Before plugging the appliance into the electricity socket, make sure that:

- the socket is earthed and complies with all applicable laws;
- the socket is able to withstand the maximum power load of the appliance as indicated in the Technical data table (see opposite);
- the power supply voltage falls within the values indicated in the Technical data table (see opposite);
- the socket is compatible with the plug of the washing machine. If this is not the case, replace the socket or the plug.

! The washing machine must not be installed outdoors, even in covered areas. It is extremely dangerous to leave the appliance exposed to rain, storms and other weather conditions.

! When the washing machine has been installed, the electricity socket must be within easy reach.

! Do not use extension cords or multiple sockets.



! The cable should not be bent or compressed.

! The power supply cable must only be replaced by authorised technicians.

Warning! The company shall not be held responsible in the event that these regulations are not respected.

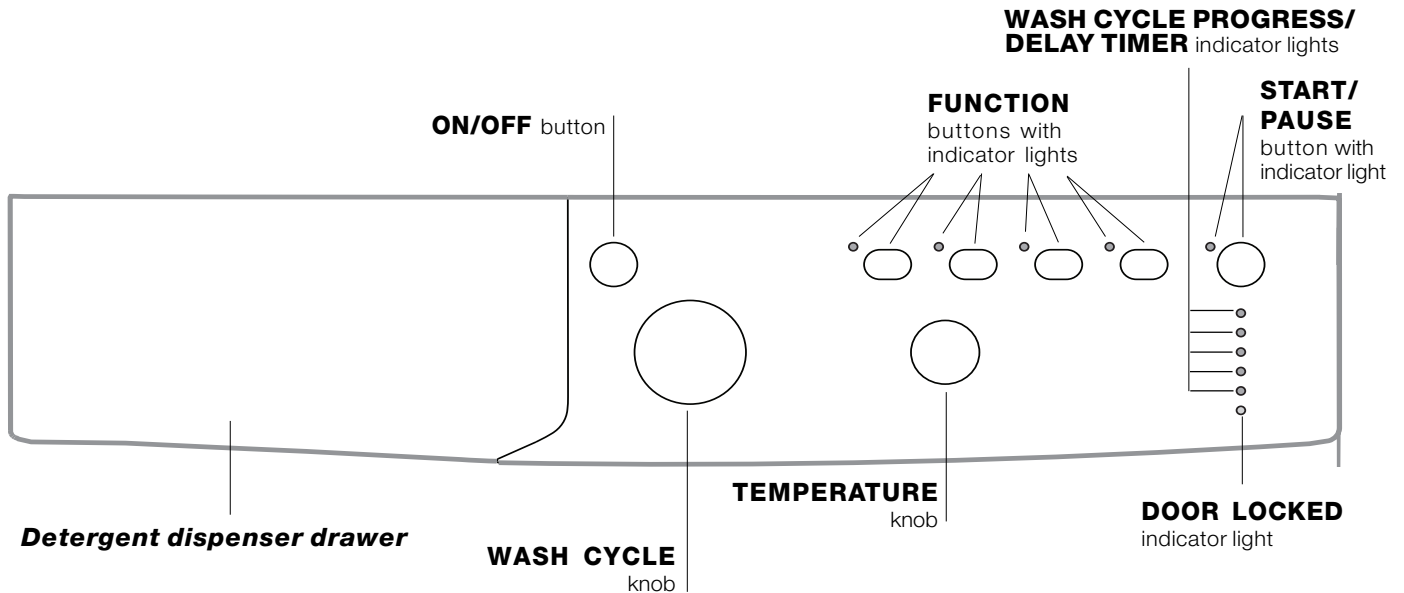
### The first wash cycle

Once the appliance has been installed, and before you use it for the first time, run a wash cycle with detergent and no laundry, using the wash cycle **2**.

Technical data	
<b>Model</b>	IWB 5065
<b>Dimensions</b>	width 59.5 cm height 85 cm depth 52,5 cm
<b>Capacity</b>	from 1 to 5 kg
<b>Electrical connections</b>	please refer to the technical data plate fixed to the machine
<b>Water connections</b>	maximum pressure 1 MPa (10 bar) minimum pressure 0.05 MPa (0.5 bar) drum capacity 46 litres
<b>Spin speed</b>	up to 600 rotations per minute
<b>Energy rated programmes according to regulation EN 60456</b>	programme 2; temperature 60°C; using a load of 5 kg.
 	This appliance conforms to the following EC Directives: - 89/336/EEC dated 03/05/89 (Electromagnetic Compatibility) and subsequent modifications - 2002/96/EC - 2006/95/EC Low Voltage)

# Description of the washing machine and starting a wash cycle

## Control panel



**Detergent dispenser drawer:** used to dispense detergents and washing additives (see “Detergents and laundry”).

**ON/OFF** button: switches the washing machine on and off.

**WASH CYCLE** knob: programmes the wash cycles. During the wash cycle, the knob does not move.


**FUNCTION** buttons with indicator light: used to select the available functions. The indicator light corresponding to the selected function will remain lit.

**TEMPERATURE** knob: sets the temperature or the cold wash cycle (see “Personalisation”).

**WASH CYCLE PROGRESS/DELAY TIMER** indicator lights: used to monitor the progress of the wash cycle. The illuminated indicator light shows which phase is in progress. If the Delay Timer function has been set, the time remaining until the wash cycle starts will be indicated (see next page).

**DOOR LOCKED** indicator light: indicates whether the door may be opened or not (see next page).

**START/PAUSE** button with indicator light: starts or temporarily interrupts the wash cycles.

**N.B.** To pause the wash cycle in progress, press this button; the corresponding indicator light will flash orange, while the indicator light for the current wash cycle phase will remain lit in a fixed manner. If the DOOR LOCKED  indicator light is switched off, the door may be opened.

To start the wash cycle from the point at which it was interrupted, press this button again.

### Standby mode

This washing machine, in compliance with new energy saving regulations, is fitted with an automatic standby system which is enabled after a few minutes if no activity is detected. Press the ON-OFF button briefly and wait for the machine to start up again.

## Indicator lights

The indicator lights provide important information. This is what they can tell you:

### Delayed start

If the DELAY TIMER function has been activated (see "Personalisation"), after the wash cycle has been started the indicator light corresponding to the selected delay period will begin to flash:

- 3h 
- 6h 
- 9h 
- 12h 






As time passes, the remaining delay will be displayed and the corresponding indicator light will flash:

- 3h 
- 6h 
- 9h 
- 12h 

The set programme will start once the selected time delay has expired.

### Wash cycle phase indicator lights

Once the desired wash cycle has been selected and has begun, the indicator lights switch on one by one to indicate which phase of the cycle is currently in progress.

- Wash 
- Rinse 
- Spin 
- Drain 
- End of wash cycle 

### Function buttons and corresponding indicator lights

When a function is selected, the corresponding indicator light will illuminate.

If the selected function is not compatible with the programmed wash cycle, the corresponding indicator light will flash and the function will not be activated. If the selected function is not compatible with another function which has been selected previously, the indicator light corresponding to the first function selected will flash and only the second function will be activated; the indicator light corresponding to the enabled option will remain lit.


### Door locked indicator light

When the indicator light is on, the porthole door is locked to prevent it from being opened; make sure the indicator light is off before opening the door (wait approximately 3 minutes). To open the door during a running wash cycle, press the START/PAUSE button; the door may be opened once the DOOR LOCKED indicator light turns off.

## Starting a wash cycle

1. Switch the washing machine on by pressing the ON/OFF button. All indicator lights will switch on for a few seconds, then they will switch off and the START/PAUSE indicator light will pulse.
2. Load the laundry and close the door.
3. Set the WASH CYCLE knob to the desired programme.
4. Set the washing temperature (see "Personalisation").
5. Measure out the detergent and washing additives (see "Detergents and laundry").
6. Select the desired functions.
7. Start the wash cycle by pressing the START/PAUSE button and the corresponding indicator light will remain lit in a fixed manner, in green.




To cancel the set wash cycle, pause the machine by pressing the START/PAUSE button and select a new cycle.

8. At the end of the wash cycle the **END** indicator light will switch on. The door can be opened once the DOOR LOCKED  indicator light turns off. Take out your laundry and leave the appliance door ajar to make sure the drum dries completely. Switch the washing machine off by pressing the ON/OFF button.

# Wash cycles

GB

**Table of wash cycles**

Wash cycles	Description of the wash cycle	Max. temp. (°C)	Max. speed (rpm)	Detergents				Max. load (kg)		Cycle duration	
				Pre-wash	Wash	Bleach	Fabric softener	Normal	Eco Time	Normal	Eco Time
<b>Daily</b>											
1	<b>Cotton with prewash:</b> extremely soiled whites.	90°	600	●	●	-	●	5	-	171	-
2	<b>Cotton:</b> extremely soiled whites.	90°	600	-	●	●	●	5	-	155	-
2	<b>Cotton (1):</b> heavily soiled whites and resistant colours.	60°	600	-	●	●	●	5	-	133	-
2	<b>Cotton (2):</b> heavily soiled whites and delicate colours.	40°	600	-	●	●	●	5	-	147	-
3	<b>Cotton:</b> heavily soiled whites and resistant colours.	60°	600	-	●	●	●	5	3,25	130	104
4	<b>Coloured Cottons (3):</b> lightly soiled whites and delicate colours.	40°	600	-	●	●	●	5	3,25	92	71
5	<b>Synthetics:</b> heavily soiled resistant colours.	60°	600	-	●	●	●	2,5	2	85	72
6	<b>Synthetics:</b> lightly soiled delicate colours.	40°	600	-	●	●	●	2,5	2	70	60
<b>Special</b>											
7	<b>Wool:</b> for wool, cashmere, etc.	40°	600	-	●	-	●	1	-	55	-
8	<b>Silk/Curtains:</b> for garments in silk and viscose, lingerie.	30°	0	-	●	-	●	1	-	55	-
9	<b>Jeans</b>	40°	600	-	●	-	●	3	-	70	-
10	<b>Express:</b> to refresh lightly soiled garments quickly (not suitable for wool, silk and clothes which require washing by hand).	30°	600	-	●	-	●	1,5	-	15	-
<b>Sport</b>											
11	<b>Sport Intensive</b>	30°	600	-	●	-	●	3	-	78	-
12	<b>Sport Light</b>	30°	600	-	●	-	●	3	-	68	-
13	<b>Sport Shoes</b>	30°	600	-	●	-	●	Max. 2 pairs	-	50	-
<b>Partial wash cycles</b>											
	Rinse	-	600	-	-	●	●	5	-	36	-
	Spin	-	600	-	-	-	-	5	-	16	-
	Drain	-	0	-	-	-	-	5	-	2	-

The information contained in the table is intended as a guide only.

For all Test Institutes:

- 1) Test wash cycle in compliance with regulation EN 60456: set wash cycle 2 with a temperature of 60°C.
- 2) Long wash cycle for cottons: set wash cycle 2 with a temperature of 40°C.
- 3) Short wash cycle for cottons: set wash cycle 4 with a temperature of 40°C.

## Specials wash cycles

**Express** (wash cycle **10**) this wash cycle was designed to wash lightly soiled garments quickly: it lasts just 15 minutes and therefore saves both energy and time. By selecting this wash cycle (**10** at 30°C), it is possible to wash different fabrics together (except for wool and silk items), with a maximum load of 1.5 kg.

**Sport Intensive** (wash cycle **11**) is for washing lightly soiled sports clothing fabrics (tracksuits, shorts, etc.); for best results, we recommend not exceeding the maximum load indicated in the "Table of wash cycles". We recommend using a liquid detergent and dosage suitable for a half-load.

**Sport Light** (wash cycle **12**) is for washing lightly soiled sports clothing fabrics (tracksuits, shorts, etc.); for best results, we recommend not exceeding the maximum load indicated in the "Table of wash cycles". We recommend using a liquid detergent and dosage suitable for a half-load.

**Sport Shoes** (wash cycle **13**) is for washing sports shoes; for best results, do not wash more than 2 pairs simultaneously.

## Setting the temperature

Turn the TEMPERATURE knob to set the wash temperature (see *Table of wash cycles*).

The temperature may be lowered, or even set to a cold wash ❄️.

The washing machine will automatically prevent you from selecting a temperature which is higher than the maximum value set for each wash cycle.

## Functions

The various wash functions available with this washing machine will help to achieve the desired results, every time. To activate the functions:

1. Press the button corresponding to the desired function;
2. the function is enabled when the corresponding indicator light is illuminated.

Note: If the indicator light flashes rapidly, this signals that this particular function may not be selected in conjunction with the selected wash cycle.

### EcoTime

Selecting this option enables you to suitably adjust drum rotation, temperature and water to a reduced load of lightly soiled cotton and synthetic fabrics (refer to the "*Table of wash cycles*"). "EcoTime" enables you to wash in less time thereby saving water and electricity. We suggest using a liquid detergent suitably measured out to the load quantity.

! This function may not be used in conjunction with wash cycles 1, 2, 7, 8, 9, 10, 11, 12, 13, 🌿, 🌞, 🌧️.

### Stain removal

Bleaching cycle designed to remove the toughest stains. Please remember to pour the bleach into extra compartment 4 (see "*Bleach cycle*").

! This function may not be used in conjunction with wash cycles 1, 7, 8, 9, 10, 11, 12, 13, 🌞, 🌧️.

### No spin

The washing machine will not carry out the spin cycle, but rather a drum spin at medium speed to assist water draining. *Recommended when washing garments which are difficult to iron.*

! This function may not be used in conjunction with wash cycles 8, 🌧️.

### Delay timer

This timer delays the start time of the wash cycle by up to 12 hours.

Press the button repeatedly until the indicator light corresponding to the desired delay time switches on. The fifth time the button is pressed, the function will be disabled.

**N.B.** Once the START/PAUSE button has been pressed, the delay time can only be modified by decreasing it until launching the set programme.

! This option is enabled with all programmes.

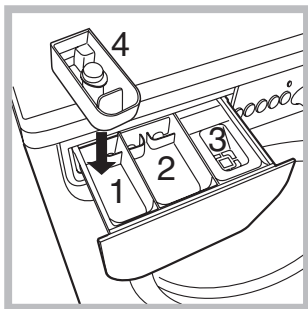
# Detergents and laundry

GB

## Detergent dispenser drawer

Good washing results also depend on the correct dose of detergent: adding too much detergent will not necessarily result in a more efficient wash, and may in fact cause build up on the inside of your appliance and contribute to environmental pollution.

! Do not use hand washing detergents because these create too much foam.



Open the detergent dispenser drawer and pour in the detergent or washing additive, as follows.

### compartment 1: Pre-wash detergent (powder)

Before pouring in the detergent, make sure that extra compartment 4 has been removed.

### compartment 2: Detergent for the wash cycle (powder or liquid)

Liquid detergent should only be poured in immediately prior to the start of the wash cycle.

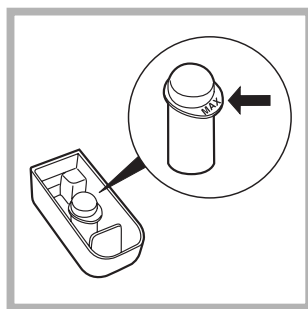
### compartment 3: Additives (fabric softeners, etc.)

The fabric softener should not overflow the grid.



### extra compartment 4: Bleach


## Bleach cycle

! **Traditional** bleach should be used on sturdy white fabrics, and **delicate** bleach for coloured fabrics, synthetics and for wool.



This option is particularly useful for the removal of stubborn stains. Place extra compartment 4 (supplied) into compartment 1. When pouring in the bleach, be careful not to exceed the "max" level marked on the central pivot (see figure).

To run the bleach cycle on its own, pour the bleach into extra compartment 4, set the "Rinse"  programme and activate the "Stain removal"  option.

To bleach during a wash cycle, pour in the detergent and any fabric softener you wish to use, set the desired wash cycle and enable the "Stain removal"  option. The use of extra compartment 4 excludes the "Pre-wash" option.


## Preparing the laundry

- Divide the laundry according to:
  - the type of fabric/the symbol on the label
  - the colours: separate coloured garments from whites.
- Empty all garment pockets and check the buttons.
- Do not exceed the listed values, which refer to the weight of the laundry when dry:
  - Durable fabrics: max. 5 kg
  - Synthetic fabrics: max. 2,5 kg
  - Delicate fabrics: max. 2 kg
  - Wool: max. 1 kg
  - Silk: max. 1 kg

### How much does your laundry weigh?

- 1 sheet 400-500 g
- 1 pillow case 150-200 g
- 1 tablecloth 400-500 g
- 1 bathrobe 900-1200 g
- 1 towel 150-250 g

## Garments requiring special care

**Wool:** all wool garments can be washed using programme 7, even those carrying the "hand-wash only"  label. For best results, use special detergents and do not exceed 1 kg of laundry.

**Silk:** use special wash cycle 8 to wash all silk garments. We recommend the use of special detergent which has been designed to wash delicate clothes.

**Curtains:** fold curtains and place them in a pillow case or mesh bag. Use wash cycle 8.

**Jeans:** Turn garments inside-out before washing and use a liquid detergent. Use programme 9.

## Load balancing system

Before every spin cycle, to avoid excessive vibrations and to distribute the load in a uniform manner, the drum rotates continuously at a speed which is slightly greater than the washing rotation speed. If, after several attempts, the load is not balanced correctly, the machine spins at a reduced spin speed. If the load is excessively unbalanced, the washing machine performs the distribution process instead of spinning. To encourage improved load distribution and balance, we recommend small and large garments are mixed in the load.



! This washing machine was designed and constructed in accordance with international safety regulations. The following information is provided for safety reasons and must therefore be read carefully.

## General safety

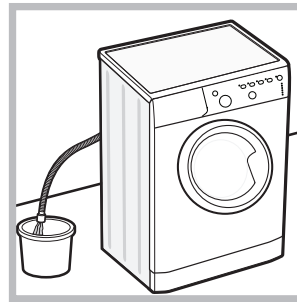
- This appliance was designed for domestic use only.
- The washing machine must only be used by adults, in accordance with the instructions provided in this manual.
- Do not touch the machine when barefoot or with wet or damp hands or feet.
- Do not pull on the power supply cable when unplugging the appliance from the electricity socket. Hold the plug and pull.
- Do not open the detergent dispenser drawer while the machine is in operation.
- Do not touch the drained water as it may reach extremely high temperatures.
- Never force the porthole door. This could damage the safety lock mechanism designed to prevent accidental opening.
- If the appliance breaks down, do not under any circumstances access the internal mechanisms in an attempt to repair it yourself.
- Always keep children well away from the appliance while it is operating.
- The door can become quite hot during the wash cycle.
- If the appliance has to be moved, work in a group of two or three people and handle it with the utmost care. Never try to do this alone, because the appliance is very heavy.
- Before loading laundry into the washing machine, make sure the drum is empty.

## Disposal

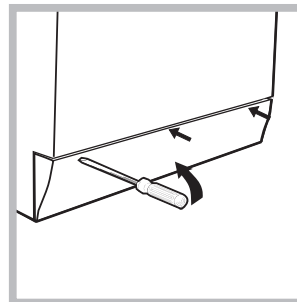
- Disposing of the packaging materials: observe local regulations so that the packaging may be re-used.
  - The European Directive 2002/96/EC on Waste Electrical and Electronic Equipment, requires that old household electrical appliances must not be disposed of in the normal unsorted municipal waste stream. Old appliances must be collected separately in order to optimise the recovery and recycling of the materials they contain and reduce the impact on human health and the environment. The crossed out "wheeled bin" symbol on the product reminds you of your obligation, that when you dispose of the appliance it must be separately collected.
- Consumers should contact their local authority or retailer for information concerning the correct disposal of their old appliance.

## Opening the porthole door manually

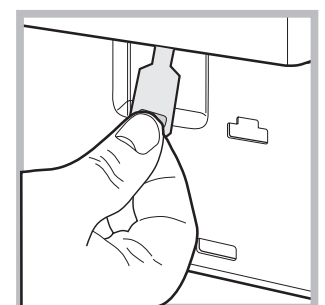
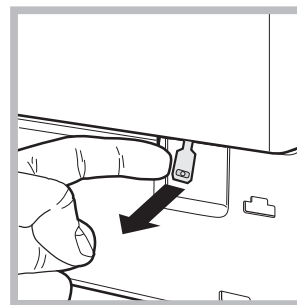
In the event that it is not possible to open the porthole door due to a powercut, and if you wish to remove the laundry, proceed as follows:



1. remove the plug from the electrical socket.
2. make sure the water level inside the machine is lower than the door opening; if it is not, remove excess water using the drain hose, collecting it in a bucket as indicated in the figure.



3. using a screwdriver, remove the cover panel on the lower front part of the washing machine (see figure).



4. pull outwards using the tab as indicated in the figure, until the plastic tie-rod is freed from its stop position; pull downwards and open the door at the same time.

5. reposition the panel, making sure the hooks are securely in place before you push it onto the appliance.

# Care and maintenance

GB

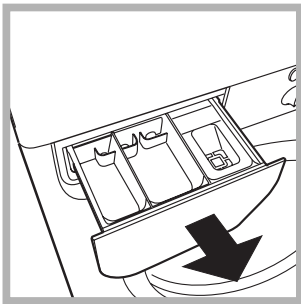
## Cutting off the water and electricity supplies

- Turn off the water tap after every wash cycle. This will limit wear on the hydraulic system inside the washing machine and help to prevent leaks.
- Unplug the washing machine when cleaning it and during all maintenance work.

## Cleaning the washing machine

The outer parts and rubber components of the appliance can be cleaned using a soft cloth soaked in lukewarm soapy water. Do not use solvents or abrasives.

## Cleaning the detergent dispenser drawer



Remove the dispenser by raising it and pulling it out (see figure). Wash it under running water; this operation should be repeated frequently.

## Caring for the door and drum of your appliance

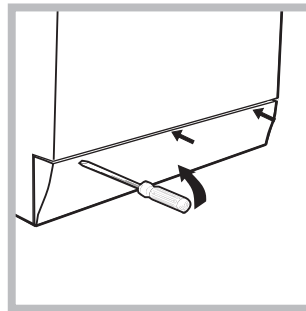
- Always leave the porthole door ajar in order to prevent unpleasant odours from forming.

## Cleaning the pump

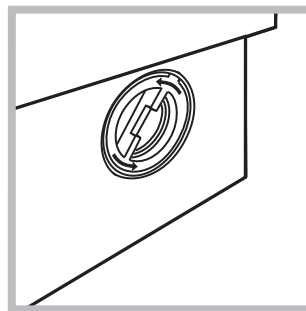
The washing machine is fitted with a self-cleaning pump which does not require any maintenance. Sometimes, small items (such as coins or buttons) may fall into the pre-chamber which protects the pump, situated in its bottom part.

! Make sure the wash cycle has finished and unplug the appliance.

To access the pre-chamber:



1. using a screwdriver, remove the cover panel on the lower front part of the washing machine (see figure);



2. unscrew the lid by rotating it anti-clockwise (see figure): a little water may trickle out. This is perfectly normal;

3. clean the inside thoroughly;
4. screw the lid back on;
5. reposition the panel, making sure the hooks are securely in place before you push it onto the appliance.

## Checking the water inlet hose

Check the inlet hose at least once a year. If there are any cracks, it should be replaced immediately: during the wash cycles, water pressure is very strong and a cracked hose could easily split open.

! Never use second-hand hoses.

Your washing machine could fail to work. Before contacting the Technical Assistance Centre (see "Assistance"), make sure that the problem cannot be not solved easily using the following list.

## Problem:

## Possible causes / Solutions:

**The washing machine does not switch on.**

- The appliance is not plugged into the socket fully, or is not making contact.
- There is no power in the house.

**The wash cycle does not start.**

- The washing machine door is not closed properly.
- The ON/OFF button has not been pressed.
- The START/PAUSE button has not been pressed.
- The water tap has not been opened.
- A delayed start has been set (see "Personalisation").

**The washing machine does not take in water (the indicator light for the first wash cycle stage flashes rapidly).**

- The water inlet hose is not connected to the tap.
- The hose is bent.
- The water tap has not been opened.
- There is no water supply in the house.
- The pressure is too low.
- The START/PAUSE button has not been pressed.

**The washing machine continuously takes in and drains water.**

- The drain hose is not fitted at a height between 65 and 100 cm from the floor (see "Installation").
- The free end of the hose is under water (see "Installation").
- The wall drainage system is not fitted with a breather pipe.

If the problem persists even after these checks, turn off the water tap, switch the appliance off and contact the Assistance Service. If the dwelling is on one of the upper floors of a building, there may be problems relating to water drainage, causing the washing machine to fill with water and drain continuously. Special anti-draining valves are available in shops and help to avoid this inconvenience.

**The washing machine does not drain or spin.**

- The wash cycle does not include draining: some wash cycles require the drain phase to be started manually.
- The drain hose is bent (see "Installation").
- The drainage duct is clogged.

**The washing machine vibrates a lot during the spin cycle.**

- The drum was not unlocked correctly during installation (see "Installation").
- The washing machine is not level (see "Installation").
- The washing machine is trapped between cabinets and walls (see "Installation").

**The washing machine leaks.**

- The water inlet hose is not screwed on properly (see "Installation").
- The detergent dispenser drawer is blocked (for cleaning instructions, see "Care and maintenance").
- The drain hose is not fixed properly (see "Installation").

**The "option" indicator lights and the "start/pause" indicator light flash, while one of the "phase in progress" indicator lights and the "door locked" indicator light will remain lit in a fixed manner.**

- Switch off the machine and unplug it, wait for approximately 1 minute and then switch it back on again.  
If the problem persists, contact the Technical Assistance Service.

**There is too much foam.**

- The detergent is not suitable for machine washing (it should display the text "for washing machines" or "hand and machine wash", or the like).
- Too much detergent was used.

# Service

---

GB

## **Before calling for Assistance:**

- Check whether you can solve the problem alone (see “*Troubleshooting*”);
- Restart the programme to check whether the problem has been solved;
- If this is not the case, contact an authorised Technical Assistance Centre using the telephone number provided on the guarantee certificate.

! Always request the assistance of authorised technicians.

## **Have the following information to hand:**

- the type of problem;
- the appliance model (Mod.);
- the serial number (S/N).

This information can be found on the data plate applied to the rear of the washing machine, and can also be found on the front of the appliance by opening the door.

RO

Română

IWB 5065

### Sumar

#### Instalare, 14-15

Despachetare și punere la nivel  
Racorduri hidraulice și electrice  
Primul ciclu de spălare  
Date tehnice

#### Descrierea mașinii de spălat și activarea unui program, 16-17

Panoul de control  
Indicatoare luminoase  
Activarea unui program

#### Programe, 18

Tabel de programe

#### Personalizare, 19

Reglarea temperaturii  
Funcții

#### Detergenți și rufe albe, 20

Compartimentul pentru detergenți  
Ciclu de albire  
Pregătirea rufelor  
Articole delicate  
Sistemul de echilibrare a încărcăturii

#### Precauții și sfaturi, 21

Norme de protecție și siguranță generale  
Aruncarea reziduurilor  
Deschiderea manuală a ușii

#### Întreținere și curățare, 22

Înteruperea alimentării cu apă și curent electric  
Curățarea mașinii de spălat  
Curățarea compartimentului pentru detergent  
Îngrijirea ușii și a tamburului  
Curățarea pompei  
Controlarea furtunului de alimentare cu apă

#### Anomalii și remedii, 23

#### Asistență, 24

# Instalare

RO

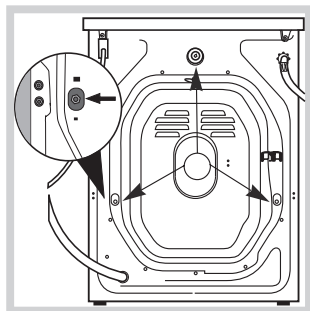
! Este important să păstrați acest manual pentru a-l putea consulta în orice moment. În caz de vânzare, de cesiune sau de schimbare a locuinței, acesta trebuie să rămână împreună cu mașina de spălat pentru a informa noul proprietar cu privire la funcționare și la respectivele avertismente.

! Citiți cu atenție instrucțiunile: veți găsi informații importante cu privire la instalare, la folosire și la siguranță.

## Despachetare și punere la nivel

### Despachetare

1. Scoaterea din ambalaj a mașinii de spălat.
2. Controlați ca mașina de spălat să nu fi fost deteriorată în timpul transportului. Dacă este deteriorată nu o conectați și luați legătura cu vânzătorul.



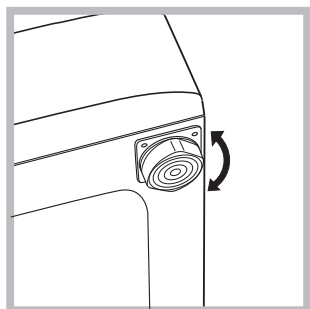
3. Scoateți cele 3 șuruburi de protecție pentru transport și cauciucul cu respectivul distanțier, situate în partea posterioară (a se vedea figura).

4. Închideți orificiile cu dopurile din plastic aflate în dotare.
5. Păstrați toate piesele: pentru cazul în care mașina de spălat va trebui să fie transportată, piesele vor trebui montate din nou.

! Ambalajele nu sunt jucării pentru copii!

### Punere la nivel

1. Instalați mașina de spălat pe o suprafață plană și rigidă, fără a o sprijini de ziduri, mobilă sau altceva.

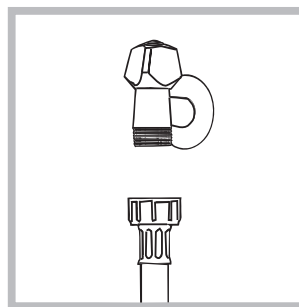


2. Dacă podeaua nu este perfect orizontală, compensați neregularitățile deșurubând sau înșurubând piciorușele anterioare (a se vedea figura); unghiul de înclinare, măsurat pe planul de lucru, nu trebuie să depășească 2°.

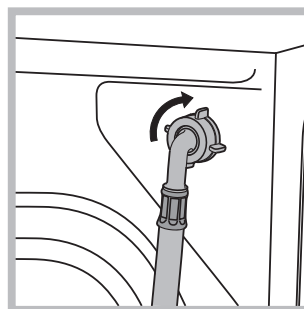
O nivelare precisă conferă stabilitate mașinii și evită vibrații, zgomote și deplasări pe timpul funcționării. În cazul mochetelor sau a unui covor, reglați piciorușele astfel încât să mențineți sub mașina de spălat un spațiu suficient pentru ventilare.

## Racorduri hidraulice și electrice

### Racordarea furtunului de alimentare cu apă



1. Conectați tubul de alimentare, înșurubându-l la un robinet de apă rece cu gura filetată de 3/4 gaz (a se vedea figura). Înainte de conectare, lăsați apa să curgă până când nu a devine limpede.



2. Conectați tubul de alimentare la mașina de spălat, înșurubându-l la sursa de apă respectivă, amplasată în partea posterioară, sus în dreapta (a se vedea figura).

3. Fiți atenți ca furtunul să nu fie nici pliat nici îndoit.

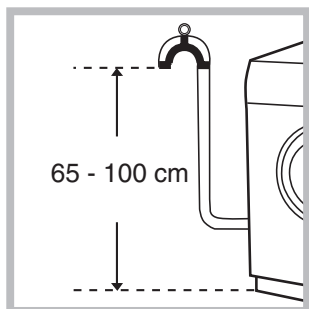
! Presiunea apei de la robinet trebuie să fie cuprinsă în valorile din tabelul Date tehnice (a se vedea pagina alăturată).

! Dacă lungimea furtunului de alimentare nu este suficientă, adresați-vă unui magazin specializat sau unui instalator autorizat.

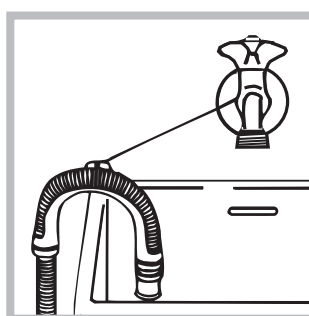
! Nu folosiți niciodată tuburi folosite deja.

! Utilizați tuburile furnizate împreună cu mașina.

### Conectarea furtunului de golire



Conectați furtunul de golire - fără a-l îndoi - la canalizare sau la racordul de golire prevăzut pe perete, la o înălțime de 65 - 100 cm de sol;



Sprrijiniți-l de marginea căzii sau chiuvetei și racordați șina de ghidare din dotare la robinet (*a se vedea figura*). Capătul liber al furtunului de golire nu trebuie să rămână cufundat în apă.

! Nu se recomandă folosirea furtunurilor prelungitoare; dacă este indispensabil, acestea trebuie să aibă același diametru ca și furtunul original și nu trebuie să depășească 150 cm lungime.

### Racordarea electrică

Înainte de a introduce stecherul în priză, asigurați-vă ca:

- priza să fie cu împământare și conform prevederilor legale;
- priza să poată suporta sarcina maximă de putere a mașinii, indicată în tabelul Date Tehnice (*a se vedea alături*);
- tensiunea de alimentare să fie cuprinsă în valorile indicate în tabelul Date Tehnice (*a se vedea alături*);
- priza să fie compatibilă cu stecherul mașinii de spălat. În caz contrar înlocuiți stecherul.

! Mașina de spălat nu trebuie instalată afară, nici chiar în cazul în care spațiul este adăpostit, deoarece este foarte periculoasă expunerea mașinii la ploi și furtuni.

! După instalarea mașinii de spălat, priza de curent trebuie să fie ușor accesibilă.

! Nu folosiți prelungitoare și prize multiple.

! Cablul nu trebuie să fie îndoit sau comprimat.

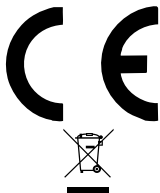
! Cablul de alimentare trebuie să fie înlocuit doar de tehnicieni autorizați ai centrului de service ce apare scris pe certificatul de garanție emis de producător.

Atenție! Producătorul își declină orice responsabilitate în cazul în care aceste norme nu se respectă.

### Primul ciclu de spălare

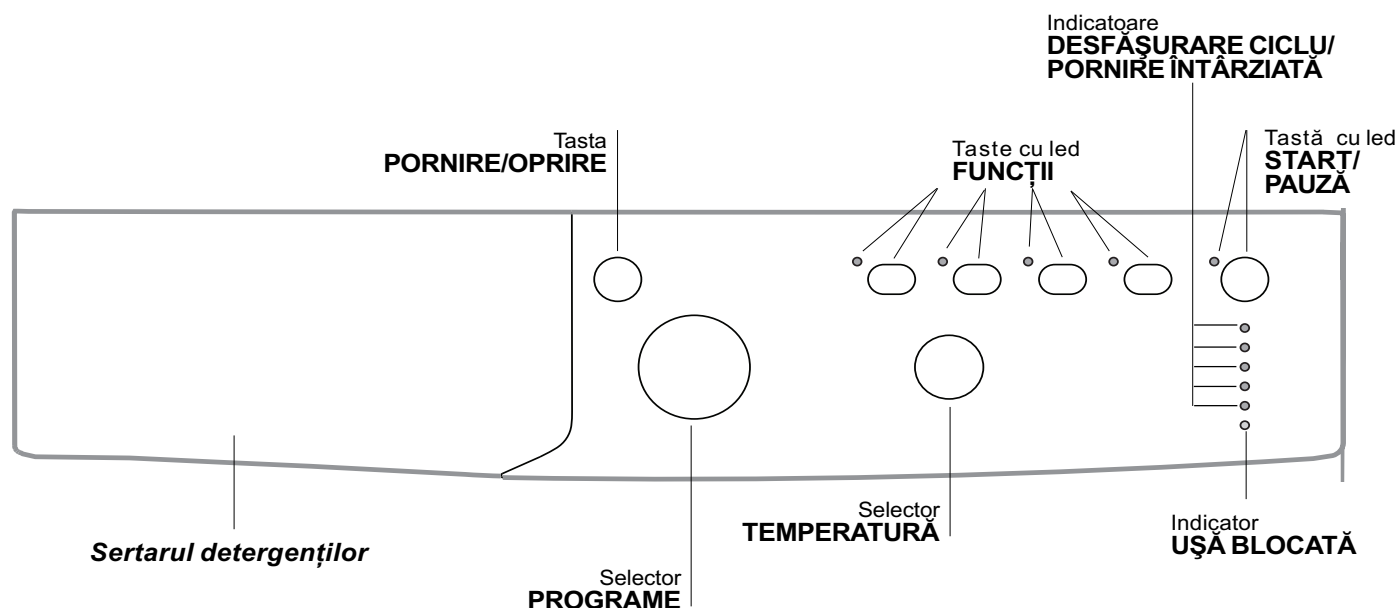
După instalare, înainte de folosire, efectuați un ciclu de spălare cu detergent și fără rufe, selectând programul 2.

### Date tehnice

<b>Model</b>	IWB 5065
<b>Dimensiuni</b>	lățime: 59,5 cm înălțime: 85 cm profundime: 52,5 cm
<b>Capacitate</b>	de la 1 la 5 kg
<b>Legături electrice</b>	vezi eticheta cu caracteristicile tehnice, aplicată pe mașină
<b>Legături hidrice</b>	presiune maximă: 1 MPa (10 bari) presiune minimă: 0,05 MPa (0,5 bari) capacitatea cuvei: 46 litri
<b>Turația de centrifugare</b>	până la 600 de rotații pe minut
<b>Programe de control în baza normei EN 60456</b>	programul 2; temperatura 60°C; efectuată cu 5 kg de rufe.
	Acest aparat este conform cu următoarele Directive Comunitare: - 89/336/CEE din data de 03/05/89 (Compatibilitate Electromagnetică) și modificări succesive - 2002/96/CE - 2006/95/CE (Tensiuni Joase)
Zgomot (dB(A) re 1 pW)	Spălare: 66 Turație de centrifugare: 70

# Descrierea mașinii de spălat și activarea unui program

## Panoul de control



**Sertarul detergenților:** pentru a introduce detergenți sau aditivi (a se vedea “Detergenți și rufe albe”).

**Tasta PORNIRE/OPRIRE:** pentru a porni și opri mașina.

**Selector PROGRAME:** pentru a selecta programele. Pe durata desfășurării programului selectorul rămâne în aceeași poziție.


**Taste cu led FUNCȚII:** pentru a selecta funcțiile disponibile. Indicatorul corespunzător funcției alese va rămâne aprins.

**Selector TEMPERATURĂ:** pentru a selecta temperatura sau spălarea la rece (a se vedea “Personalizare”).

**Indicatoare DESFĂȘURARE CICLU/PORNIRE ÎNTÂRZIATĂ:** pentru a putea urmări avansarea programului de spălare. Indicatorul aprins arată faza în curs de desfășurare. Dacă a fost selectată funcția “Pornire întârziată”, va fi indicat timpul care lipsește până la pornirea programului (a se vedea pag. alăturată).

**Indicador UȘĂ BLOCATĂ:** pentru a înțelege dacă ușa se poate deschide sau nu (a se vedea pag. alăturată).

**Tastă cu led START/PAUZĂ:** pentru a activa / opri momentan programele.

**N.B.:** pentru a întrerupe momentan un ciclu apăsați această tastă; ledul se va aprinde intermitent (culoare portocalie) în timp ce ledul corespunzător fazei în curs de desfășurare va rămâne aprins. Dacă indicatorul UȘĂ BLOCATĂ  este stins, atunci ușa se poate deschide.

Pentru a continua spălarea, de unde a fost întreruptă, apăsați din nou tasta.

### Modalitatea de stand by

Această mașină de spălat rufe, conform noilor norme legate de economia de curent electric, este dotată cu un sistem de oprire automat (stand-by) care intră în funcțiune după câteva minute de neutilizare. Apasați scurt tasta ON-OFF și așteptați repunerea în funcțiune a mașinii.



## Indicatoare luminoase

Ledurile furnizează informații importante. Iată ce indică:

### Pornire întârziată

Dacă a fost activată funcția "Pornire întârziată" (a se vedea "Personalizare"), după activarea programului, se va aprinde intermitent ledul corespunzător întârzierii selectate:



Cu trecerea timpului, se va vizualiza întârzierea restantă, prin aprinderea intermitentă a ledului respectiv.



După trecerea intervalului de întârziere programat, va începe programul.

### Indicatoare de fază

După alegerea și activarea ciclului dorit, indicatoarele luminoase se vor aprinde unul după altul, ceea ce vă indică starea de avansare a programului:

Spălare	
Clătire	
Centrifugă	
Golire	
Sfârșit Spălare	

### Tastele de funcții și ledurile corespunzătoare

Alegerea unei funcții implică aprinderea ledului corespunzător.


Dacă funcția selectată nu este compatibilă cu programul ales, ledul corespunzător se va aprinde intermitent iar funcția nu se va activa.

Dacă funcția aleasă nu este compatibilă cu o funcție selectată anterior, indicatorul care corespunde primei funcții va emite un semnal intermitent iar indicatorul celei de a doua se va aprinde: acest lucru înseamnă că se va activa numai a doua funcție (ultima aleasă).

### Indicator ușă blocată:

Aprinderea ledului indică faptul că hubloul s-a blocat, pentru a împiedica deschiderea sa; pentru a putea deschide hubloul, așteptați aproximativ 3 minute, până la stingerea ledului. Pentru a deschide hubloul în timpul executării unui ciclu, apăsați tasta PORNIRE/PAUZĂ; dacă ledul UȘĂ BLOCATĂ este stins, atunci puteți deschide hubloul.

## Activarea unui program

1. Porniți mașina de spălat apăsând pe tasta PORNIRE/OPRIRE. Toate indicatoarele se aprind câteva secunde, apoi se sting; indicatorul START/PAUZĂ se va aprinde intermitent.
2. Introduceți rufele și închideți ușa.
3. Selectați programul dorit cu ajutorul selectorului de PROGRAME.
4. Reglați temperatura de spălare (a se vedea "Personalizare").
5. Adăugați detergentul și aditivii (a se vedea "Detergenți și rufe").
6. Alegeți funcțiile dorite.
7. Activați programul apăsând tasta START/PAUZĂ; indicatorul luminos se va aprinde (culoare verde). Pentru a anula un ciclu selectat, apăsați tasta START/PAUZĂ pentru a întrerupe momentan ciclul și alegeți un nou program.
8. La încheierea programului, indicatorul luminos END se va aprinde. După stingerea ledului corespunzător avertizării de UȘĂ BLOCATĂ , este posibilă deschiderea hubloului. Scoateți rufele și lăsați ușa întredeschisă pentru a se putea usca cuva și tamburul. Oprite mașina de spălat apăsând pe tasta PORNIRE/OPRIRE.

# Programe

RO

## Tabel de programe

Program	Descrierea Programului	Temp. max. (°C)	Viteza max. (rotații pe minut)	Detergenți				Sarcina Max. (Kg)		Durata ciclului de spălare	
				Pres-pălare	Spălare	Decolorant	Balsam rufe	Normală	Eco Time	Nor-mală	Eco Time
<b>Programe zilnice</b>											
1	<b>PRESPALARE BUMBAC:</b> Rufe albe foarte murdare.	90°	600	●	●	-	●	5	-	171	-
2	<b>RUFE ALBE BUMBAC:</b> Rufe albe foarte murdare.	90°	600	-	●	●	●	5	-	155	-
2	<b>RUFE ALBE BUMBAC (1):</b> Albe și colorate rezistente foarte murdare.	60°	600	-	●	●	●	5	-	133	-
2	<b>RUFE ALBE BUMBAC (2):</b> Albe și colorate delicate foarte murdare.	40°	600	-	●	●	●	5	-	147	-
3	<b>RUFE ALBE BUMBAC:</b> Albe și colorate rezistente foarte murdare.	60°	600	-	●	●	●	5	3,25	130	104
4	<b>COLORATE BUMBAC (3):</b> Albe puțin murdare și colorate delicate.	40°	600	-	●	●	●	5	3,25	92	71
5	<b>SINTETICE:</b> Colorate rezistente foarte murdare.	60°	600	-	●	●	●	2,5	2	85	72
6	<b>SINTETICE:</b> Colorate delicate puțin murdare.	40°	600	-	●	●	●	2,5	2	70	60
<b>Programe Speciale</b>											
7	<b>LĂNĂ:</b> Pentru articole din lână, cașmir.	40°	600	-	●	-	●	1	-	55	-
8	<b>MĂTASE /PERDELE:</b> Pentru articolele din mătase, viscoză, lenjerie.	30°	0	-	●	-	●	1	-	55	-
9	<b>JEANS</b>	40°	600	-	●	-	●	3	-	70	-
10	<b>EXPRESS:</b> Pentru a împroșpăta rapid articolele puțin murdare (nu este indicat pentru lână, mătase și articole de spălat cu mâna).	30°	600	-	●	-	●	1,5	-	15	-
<b>Sport</b>											
11	<b>Sport Intensive</b>	30°	600	-	●	-	●	3	-	78	-
12	<b>Sport Light</b>	30°	600	-	●	-	●	3	-	68	-
13	<b>Sport Shoes</b>	30°	600	-	●	-	●	(Max 2 perechi.)	-	50	-
<b>Programe parțiale</b>											
	<b>CLĂTIRE</b>	-	600	-	-	●	●	5	-	36	-
	<b>CENTRIFUGARE</b>	-	600	-	-	-	-	5	-	16	-
	<b>EVACUARE</b>	-	0	-	-	-	-	5	-	2	-

Datele specificate în tabel au valoare indicativă.

Pentru toate Instituțiile de Testare:

- 1) Programul de control conform normei EN60456: selectați programul 2 și temperatura de 60°C.
- 2) Program pentru bumbac, prelungit: selectați programul 2 și temperatura de 40°C.
- 3) Program pentru bumbac, rapid: selectați programul 4 și temperatura de 40°C.

### Programe speciale

**Express** (programul 10) a fost studiat pentru a spăla articolele foarte puțin murdare, în mod rapid: durează doar 15 de minute ceea ce economisește energie și timp. Selectând programul (10 la 30°C) este posibilă spălarea articolelor din materiale diferite (excluse lână și mătasea) cu o greutate maximă de 1,5 kg.

**Sport Intensive** (programul 11) a fost studiat pentru spălarea țesăturilor utilizate la confecționarea hainelor sportive (echipamente, pantaloni scurți etc.) foarte murdare; pentru cele mai bune rezultate, se recomandă să nu depășiți cantitatea maximă admisă indicată în „Tabel de programe”.

**Sport Light** (programul 12) a fost studiat pentru spălarea țesăturilor utilizate la confecționarea hainelor sportive (echipamente, pantaloni scurți etc.) puțin murdare; pentru cele mai bune rezultate, se recomandă să nu depășiți cantitatea maximă admisă indicată în „Tabel de programe”. Se recomandă utilizarea detergentului lichid într-o cantitate adecvată unei încărcări pe jumătate a mașinii.

**Sport Shoes** (programul 13) a fost studiat pentru spălarea pantofilor de sport; pentru cele mai bune rezultate, nu spălați mai mult de 2 perechi deodată.

## Reglarea temperaturii

Rotind selectorul de TEMPERATURĂ se fixează temperatura de spălare (a se vedea Tabelul programelor). Temperatura poate fi redusă până la spălarea la rece (❄).

Mașina va împiedica în mod automat de a alege o temperatură mai mare decât maxima admisă pentru fiecare program.

## Funcții

Diferitele funcții de spălare prevăzute pentru mașina de spălat, permit obținerea unor rufe curate și albe, după dorință.


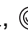

Pentru a activa funcțiile:

1. apăsați tasta corespunzătoare funcției dorite;
2. aprinderea ledului respectiv indică activarea funcției.

**Notă:** Semnalul luminos intermitent, rapid, indică faptul că funcția respectivă nu este compatibilă cu programul ales.

### EcoTime

Prin selectarea acestei opțiuni, mișcarea mecanică, temperatura și apa sunt optimizate pentru o cantitate scăzută de țesături de bumbac și sintetice puțin murdare „Tabel de programe”. Cu “EcoTime” puteți spăla în timp mai scurt, economisind apă și energie. Se recomandă utilizarea unei cantități de detergent lichid adecvată cantității de rufe.

! Nu poate fi activată pe programele 1, 2, 7, 8, 9, 10, 11, 12, 13, , , .


### Antipată

Ciclu de decolorare adecvat pentru eliminarea petelor mai rezistente. A se vărsa decolorantul în sertarul adițional 4 (a se vedea “Ciclu de albire”).

! Nu se poate activa pe programele 1, 7, 8, 9, 10, 11, 12, 13, , .

### Excluderea Centrifugii

Mașina de spălat nu efectuează centrifugarea, ci o rotire a tamburului la o viteză moderată pentru a facilita evacuarea apei. *Este recomandată când se spală rufe greu de călcat.*

! Nu poate fi activată pe programele 8, .

### Pornirea întârziată

Întârzie pornirea mașinii cu până la 12 de ore.

Apăsați de mai multe ori până la aprinderea butonului cu întârzierea dorită. La a cincea apăsare a tastei, funcția se va dezactiva.

**N.B.:** După apăsarea butonului START/PAUZĂ, se va putea modifica întârzierea doar diminuând-o, până la pornirea programului dorit.

! Se poate activa pe toate programele.

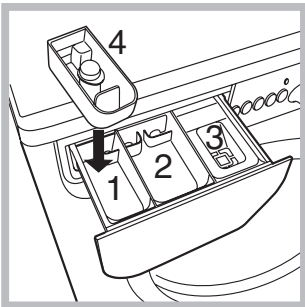
# Detergenți și rufe albe

RO

## Compartimentul pentru detergenți

Un rezultat bun la spălare depinde și de dozarea corectă a detergentului: excesul de detergent nu garantează o spălare mai eficientă, ci contribuie la deteriorarea părților interne ale mașinii de spălat și la poluarea mediului înconjurător.

! Nu introduceți în mașină detergenții pentru spălarea manuală deoarece formează prea multă spumă.



Deschideți compartimentul pentru detergenți și introduceți detergentul sau aditivul după cum urmează:

### compartiment 1: Detergent pentru prespălare (sub formă de praf)

Înainte de a adăuga detergentul verificați ca sertarul adițional 4 să nu fie introdus.

### compartiment 2: Detergent pentru spălare (sub formă de praf sau lichid)

Detergentul lichid trebuie vărsat doar înainte de pornire.

### compartiment 3: Aditivi

(soluție de înmuiat, balsam rufe etc.)

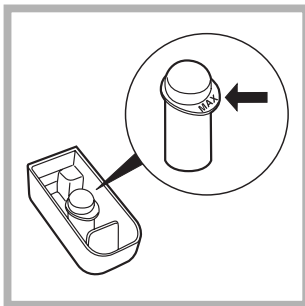
Soluția de înmuiat nu trebuie să iasă deasupra grătarului.

### compartiment adițional 4: Decolorant (Inălbitor)

## Ciclu de albire

! Decolorantul tradițional se folosește pentru țesături rezistente albe, cel delicat pentru țesături colorate, sintetice și pentru lână.

Introduceți sertarul adițional 4, aflat în dotare, în sertarul 1.



Când dozați decolorantul nu depășiți nivelul „max” indicat pe pivotul central (vezi figura).

Pentru efectuarea doar a decolorării, vărsați decolorantul în sertarul

adițional 4, selectați programul „Clătire” și activați opțiunea „Antipată”.

Pentru albirea în timpul spălării, vărsați detergentul și aditivii, selectați programul dorit și activați opțiunea „Antipată”.

Folosirea sertarului adițional 4 exclude prespălarea.

## Pregătirea rufelor

- Sortați rufe în funcție de:
  - tipul de material / simbolul de pe etichetă.
  - culori: separați rufe colorate de cele albe.
- Goliți buzunarele și controlați nasturii.
- Nu depășiți valorile indicate, referitoare la greutatea rufelor uscate:
  - Țesături rezistente: max 5 kg
  - Materiale sintetice: max 2,5 kg
  - Țesături delicate: max 2 kg
  - Lână: max 1 kg

## Cât cântăresc rufe?

- 1 cearceaf 400-500 g.
- 1 față de pernă 150-200 g.
- 1 față de masă 400-500 g.
- 1 halat de baie 900-1.200 g.
- 1 prosop 150-250 g.

## Articole delicate

**Lână:** cu programul 7 se pot spăla cu mașina toate hainele de lână, inclusiv cele cu eticheta „a se spăla numai manual”. Pentru a obține cele mai bune rezultate, folosiți un detergent specific și nu depășiți 1 kg de rufe.

**Mătase:** utilizați programul special 8 pentru spălarea articolelor din mătase. Se recomandă folosirea unui detergent special pentru articole delicate.

**Perdele:** împăturiți-le și așezați-le într-o față de pernă sau într-un sac de tip plasă. Utilizați programul 8.

**Jeans:** întoarceți pe dos rufe înainte de spălare și utilizați un detergent lichid. Utilizați programul 9.

## Sistemul de echilibrare a încărcăturii

Pentru a evita trepidațiile excesive, înainte de stoarcere, cuva mașinii va distribui cantitatea de rufe în mod uniform, centrifuga efectuând câteva rotații la o viteză mai mare decât viteza de spălare. Dacă, după numeroase încercări, mașina nu reușește să echilibreze greutatea, stoarcerea rufelor se va face la o viteză mai mică decât cea prevăzută în program. Dacă instabilitatea este prea mare, mașina va distribui greutatea în locul centrifugei. Pentru a favoriza o mai bună repartizare a rufelor și echilibrarea corectă a mașinii, se recomandă să introduceți în mașină atât articole mari cât și mici.

! Mașina de spălat a fost proiectată și construită conform normelor internaționale de protecție. Aceste avertizări sunt furnizate din motive de siguranță și trebuie să fie citite cu atenție.

## Norme de protecție și siguranță generale

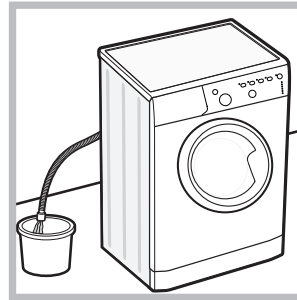
- Acest aparat a fost conceput exclusiv pentru utilizarea în locuințe unifamiliale.
- Mașina de spălat trebuie să fie folosită doar de persoane adulte care respectă instrucțiunile din acest manual.
- Nu atingeți mașina când sunteți desculți sau cu mâinile sau picioarele ude sau umede.
- Nu scoateți stecherul din priză trăgând de cablu.
- Nu deschideți compartimentul pentru detergent în timp ce mașina se află în funcțiune.
- Nu atingeți apa golită din mașină: poate avea o temperatură ridicată.
- Nu forțați în nici un caz ușa: s-ar putea deteriora mecanismul de siguranță care evită deschiderea accidentală.
- În caz de defecțiune, nu umblați în nici un caz la mecanismele din interior și nu încercați să o reparați singuri.
- Controlați mereu ca în apropierea mașinii aflate în funcțiune, să nu se afle copii.
- Pe durata spălării ușa se poate încălzi.
- Dacă trebuie să deplasați mașina, cereți ajutor unei alte (sau 2) persoane și fiți foarte atenți. Niciodată nu deplasați mașina singuri deoarece aceasta este foarte grea.
- Înainte de a introduce rufe, controlați cuva să fie goală.

## Aruncarea reziduurilor

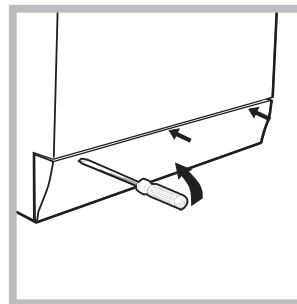
- Eliminarea ambalajelor: respectați normele locale, în acest fel ambalajele vor putea fi utilizate din nou.
- Directiva Europeană 2002/96/CE cu privire la deșeurile care provin de la aparatura electrică sau electronică prevede ca aparatele electrocasnice să nu fie colectate împreună cu deșeurile urbane solide, obișnuite. Aparatele scoase din uz trebuie să fie colectate separat atât pentru a optimiza rata de recuperare și de reciclare a materialelor componente cât și pentru a evita pericolele care pot duce la dăunarea sănătății omului sau poluarea mediului înconjurător. Simbolul toberonului tăiat care apare pe toate produsele vă amintește tocmai obligația de a le colecta separat. Pentru informații suplimentare cu privire la scoaterea din uz a electrocasnicilor, deținătorii acestora pot apela la centrele de colectare a deșeurilor sau la vânzătorii de la care au achiziționat produsele respective.

## Deschiderea manuală a ușii

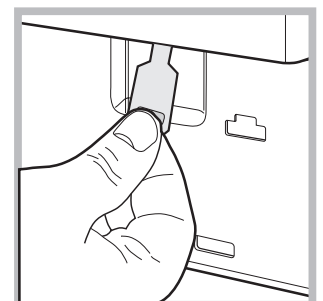
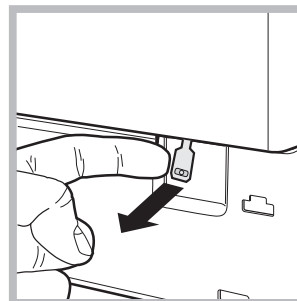
Dacă nu este posibil să deschideți ușa din cauza întreruperii curentului electric și doriți totuși să întindeți rufe, procedați după cum urmează:



1. scoateți stecherul din priză.
2. verificați ca nivelul de apă din mașină să fie sub marginea ușii; în caz contrar, scoateți apa în exces cu ajutorul furtunului de golire, punând-o într-un vas, după indicațiile din figura.



3. scoateți panoul de acoperire din partea din față a mașinii de spălat folosind o șurubelniță (a se vedea figura).



4. utilizând dispozitivul indicat în figură, trageți spre dumneavoastră până când eliberați tirantul de plastic din opritor; trageți apoi în jos și, în același timp, deschideți ușa.

5. montați din nou panoul verificând, înainte de a-l împinge spre mașină, de a fi introdus cărligele în orificiile respective.

# Întreținere și curățare

RO

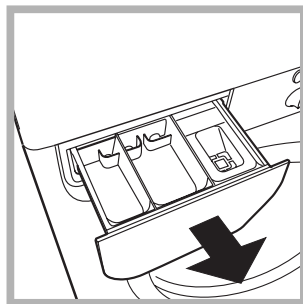
## Înteruperea alimentării cu apă și curent electric

- Închideți robinetul de apă după fiecare spălare. Se limitează astfel uzura instalației hidraulice a mașinii de spălat și se elimină pericolul scurgerilor.
- Scoateți stecherul din priză de curent atunci când curățați mașina de spălat și când se efectuează lucrări de întreținere.

## Curățarea mașinii de spălat

Partea externă și părțile din cauciuc pot fi curățate cu o lavetă înmuiată în apă caldă și săpun. Nu folosiți solvenți sau substanțe abrazive.

## Curățarea compartimentului pentru detergent



Trageți afara compartimentul ridicându-l și tragându-l spre exterior (a se vedea figura). Spălați-l sub un jet de apă; această operație trebuie efectuată cât mai des posibil.

## Îngrijirea ușii și a tamburului

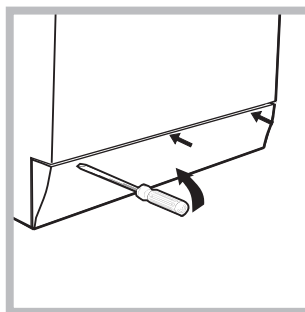
- Lăsați mereu ușa întredeschisă pentru a evita formarea de mirosuri neplăcute.

## Curățarea pompei

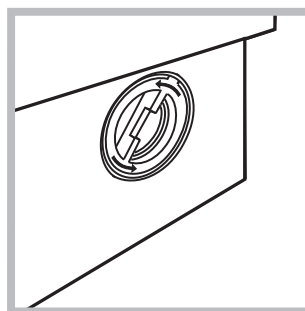
Mașina de spălat este dotată cu o pompă de autocurățare care nu are nevoie de întreținere. Se poate întâmpla însă ca unele obiecte mici (monede, nasturi) să cadă în anticamera care protejează pompa, situată în partea inferioară a acesteia.

! Verificați ca ciclul de spălare să fie încheiat și scoateți stecherul din priză.

Pentru a avea acces la anticameră:



1. scoateți panoul de acoperire din partea din față a mașinii de spălat folosind o șurubelniță (a se vedea figura);



2. deșurubați capacul rotindu-l în sens invers acelor de ceasornic (a se vedea figura). Este normal să iasă puțină apă;

3. curățați cu grijă interiorul;
4. înșurubați la loc capacul;
5. montați din nou panoul verificând, înainte de a-l împinge spre mașină, de a fi introdus cârligele în orificiile respective.

## Controlarea furtunului de alimentare cu apă

Controlați tubul de alimentare cel puțin o dată pe an. Dacă prezintă crăpături sau fisuri trebuie înlocuit: pe parcursul spălărilor, presiunea puternică ar putea provoca crăpături neașteptate.

! Nu folosiți niciodată tuburi folosite deja.

Se poate întâmpla ca mașina de spălat să nu funcționeze. Înainte de a apela serviciul de Service (*a se vedea "Asistență"*), verificați dacă nu este vorba de o problemă ușor de rezolvat:

RO

## Anomalii:

## Cauze posibile / Rezolvare:

**Mașina de spălat nu pornește.**

- Stecherul nu este introdus în priza de curent, sau nu face contact.
- Aveți o pană de curent la domiciliu.

**Ciclul de spălare nu pornește.**

- Ușa nu este bine închisă.
- Tasta PORNIRE/OPRIRE nu a fost apăsată.
- Tasta START/PAUZĂ nu a fost apăsată.
- Robinetul de apă nu este deschis.
- A fost fixată o întârziere de pornire (*a se vedea "Personalizare"*).

**Mașina de spălat nu se alimentează cu apă (ledul primei faze de spălare se aprinde intermitent și rapid).**

- Furtunul de alimentare cu apă nu este racordat la robinet.
- Furtunul este îndoit.
- Robinetul de apă nu este deschis.
- Apa la domiciliul dumneavoastră.
- Apa nu are presiune suficientă.
- Tasta START/PAUZĂ nu a fost apăsată.

**Mașina de spălat încarcă și descarcă apă continuu.**

- Furtunul de golire nu a fost instalat la o înălțime cuprinsă între 65 și 100 cm de pământ (*a se vedea "Instalare"*).
- Capătul furtunului de evacuare este cufundat în apă (*a se vedea "Instalare"*).
- Evacuarea din perete nu are răsuflare pentru aer.

Dacă după aceste verificări problema nu se rezolvă, închideți robinetul de apă, opriți mașina de spălat și chemați Service-ul. Dacă locuința se află la ultimele etaje ale unui edificiu, este posibil să aibă loc fenomene de sifonare, motiv pentru care mașina de spălat încarcă și descarcă apă încontinuu. Pentru a elimina acest inconvenient, se găsesc în comerț supape anti-sifonare.

**Mașina de spălat nu se golește sau nu stoarce.**

- Programul nu prevede golirea apei: în cazul anumitor programe, este necesară activarea manuală.
- Furtunul de golire este îndoit (*a se vedea "Instalare"*).
- Conducta de descărcare este înfundată.

**Mașina de spălat vibrează foarte mult în timpul stoarcerii.**

- Cuva, în momentul instalării, nu a fost deblocată în mod corespunzător (*a se vedea "Instalare"*).
- Mașina de spălat este în pantă (*a se vedea "Instalare"*).
- Mașina de spălat este prea aproape de pereți și mobilier (*a se vedea "Instalare"*).

**Mașina de spălat pierde apă.**

- Furtunul de alimentare cu apă nu este bine înșurubat (*a se vedea "Instalare"*).
- Compartimentul de detergenți este înfundat (*pentru a-l curăța a se vedea "Întreținere și curățare"*).
- Furtunul de golire nu este bine fixat (*a se vedea "Instalare"*).

**Indicatoarele de "optiuni" și "start/pauza" sunt intermitente; unul din indicatoarele ptr. "faza în curs" și "usa blocata" sunt aprinse.**

- Opriți mașina și scoateți stecherul din priză; așteptați aproximativ 1 minut înainte de a o reaprinde. Dacă nu obțineți nici un rezultat, apelați Centrul de service pentru asistență.

**Se formează prea multă spumă.**

- Detergentul nu este compatibil cu mașina de spălat (trebuie să fie scris „pentru mașina de spălat”, „de mână sau în mașina de spălat”, sau ceva asemănător).
- Dozajul a fost excesiv.

RO

## Înainte de a lua legătura cu Service-ul:

- Verificați dacă puteți rezolva singuri problema (*a se vedea "Anomalii și remedii"*);
- Porniți din nou programul pentru a controla dacă inconvenientul a fost eliminat;
- În caz negativ, luați legătura cu asistența tehnică autorizată la numărul telefonic indicat pe certificatul de garanție.

! Nu apelați niciodată la persoane neautorizate.

## Comunicați:

- tipul de anomalie;
- modelul mașinii (Mod.);
- numărul de serie (S/N).

Aceste informații sunt specificate pe plăcuța cu date tehnice, lipită în partea din spate a mașinii de spălat precum și în partea anterioară, după ce deschideți ușa.