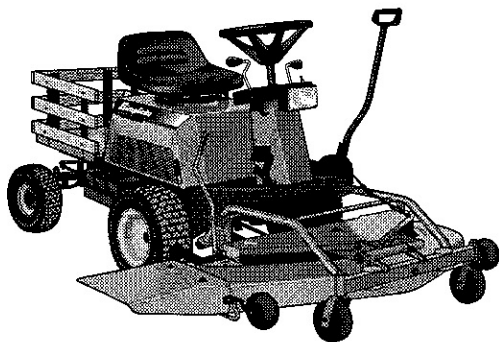


FC SERIES

Gear Drive

12FC42
Mfg. No. 1691654

42" Mower
Mfg. No. 1691662



PARTS MANUAL

Product Identification:

When ordering parts, keep your products serial number and manufacturer's number in mind. Variations may occur in a part between early & later model products, causing the product serial number to be listed in the parts description whenever these variations occur. Record your I.D. numbers here for quick, future reference.

Product Mfg. No. _____ S/N _____ Mower Mfg. No. _____ S/N _____

Attention:

Standard torques appear in a chart at the end of the manual, while important individual torques are given on specific parts drawings. CRITICAL and MAJOR notations point out important facts or instructions which relate to personal safety and proper machine operation. Any CRITICAL notation **C** which may appear in this book, pinpoints characteristics which, if not properly followed, can create a safety hazard. Any MAJOR notation **M** which may appear in this book, marks characteristics which, if not properly followed, may result in operating failure, shortened product life, or greatly reduced quality of the unit. For your convenience, assembly notes are included in parts drawings to assist in repair and assembly of unit.

SIMPLICITY BRAND PRODUCTS**OILS - SPECIFICALLY BLENDED OF HIGH QUALITY BASE OILS & ADDITIVES.**

Special Worm Gear Oil: Required for protection of brass gears and mating parts.

- Cold Weather Worm Gear Oil for snowthrowers with worm gear drive. 8 Oz. Bottle, Part #1704635, Case of 12-8 Oz. Bottles, Part #1685406.

Multi-Purpose Hydraulic/Transmission Oil for use in most hydraulic applications, and hydrostatic transmissions. Specific Simplicity applications: All hydrostatic transmissions, all bevel gear cases. Case of 12 Quarts, Part #1685516, 2-1/2 Gallon Container, Part #1685539.

SAE 5W-30 SF/CD Cold Weather Engine Oil for use in all four cycle and diesel engines at 30° temp. and under. Case of 12 quarts, Part #1685576.

SAE 15W-40 SF/CD Engine Oil for gas and diesel engines, warm weather; see engine manufacturer recommendations. Case of 12 quarts, Part #1685554.

SAE 30W SG/CC Detergent Engine Oil for use in four cycle lawn and garden engines at operating temp. of 32° and above. Also recommended for use in hydrostatic transmissions where 30W oil is specified. Case of 12 quarts, Part #1685659.

DEGREASER, DEGRIMER, PARTS CLEANER removes grease, oil, dirt and grime without harming paint or decals.

1 Quart w/Trigger Spray	1685619
1 Gallon Bottle	1685621
Extension Sprayer for Gallon Bottle	1685623

TOUCH-UP PAINT keeps equipment in showroom condition.

Spray Cans	Quarts	Daubers-12 Per Ctn.
<i>For Products Built After 8/1/89.</i>		
"Deep Orange" 13 Oz. Can 1685611 Case 12 Cans 1685614	1685612	1685616 Mixed 6 Deep Or., 6 White 1/2 Oz. Bottles
"Gloss Black" 13 Oz. Can 1685639 Case 12 Cans 1685640	1685641	N/A
"White" 13 Oz. Can 103049 Case 12 Cans 1685178	1685032	See Above

Consult decal on equipment for proper color.

AVAILABLE ACCESSORIES:

DESIGNER SEAT COVERS are double stitched, easy care vinyl. Keeps new seats new, makes worn seats look new.

Small Seat Cover w/Pocket, Part #1685540. Fits all Rear Engine Riders, FC, RT Series Tractors.

Large Seat Cover w/Pocket, Part #1685541. Fits all 12.5 & 16 LT and GT Series Tractors.

Seat Cover, Part #1685577. Fits all 18 & 20 GTH Tractors.

PNEUMATIC TIRE SEAL seals all leaks including bead leaks and punctures up to 3/16 inch diameters. Prevents flats for tread life of tire. Available in following amounts.

Case of 12 -11 Oz. Tubes	1685537
Case of 24 -11 Oz. Tubes	1685525
5 Gallon Pail	1685527

HOUR METER KIT, Part #1685535.

GREASE GUN KIT has 12" flexible hose to get into tight spots with ease. Kit contains: gun and 1-8 Oz. tube of grease. Part #1685510. For replacement tube, order Part #103077.

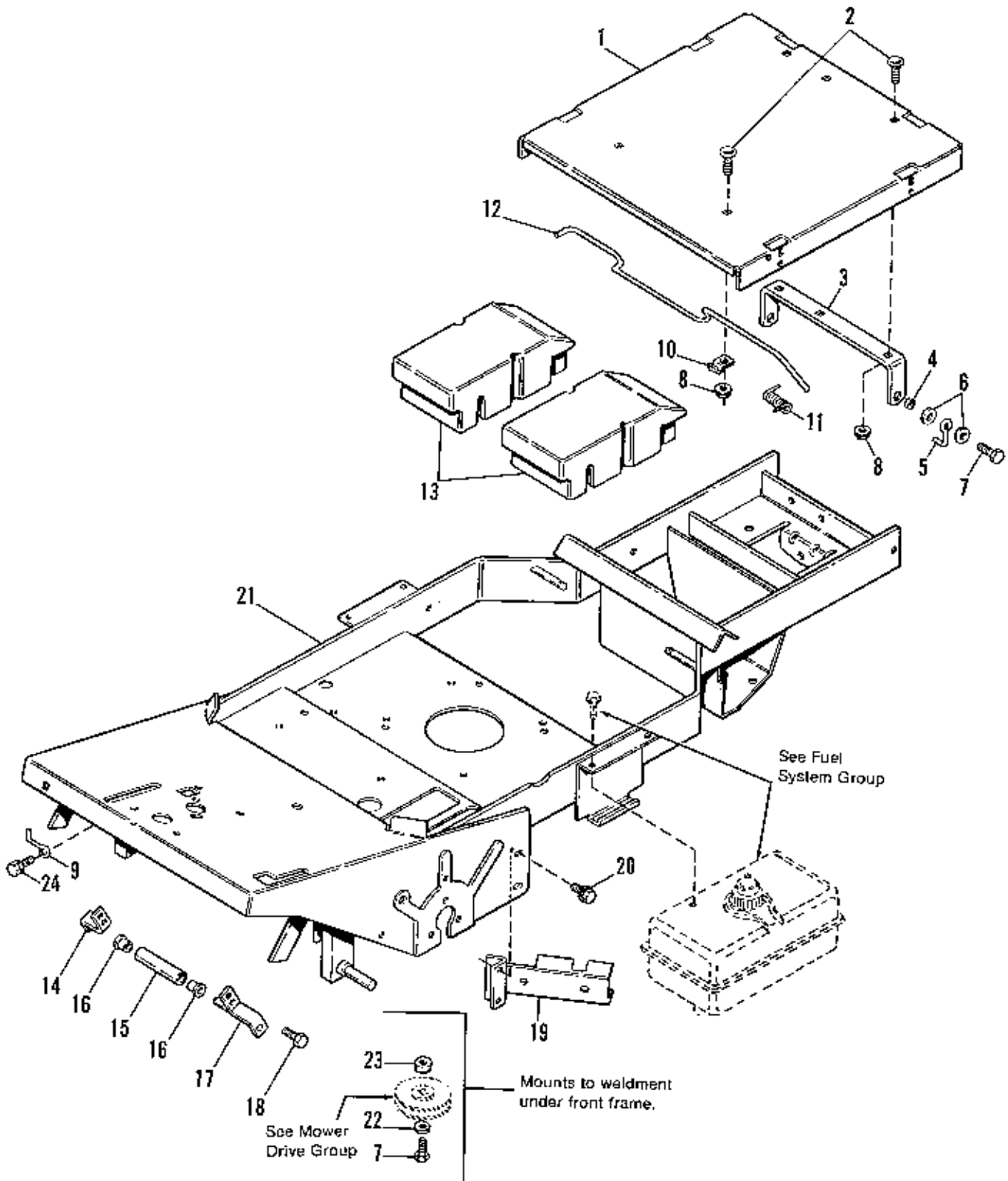
CHROME "Moon" Hubcaps

4" Rim	163114
6" Rim	156210
8" Rim	156211
10" Rim	1667782
12" Rim	154505

**Extend Equipment Life - Use Only Genuine Simplicity Parts & Accessories
Available at Your Local Simplicity Dealer**

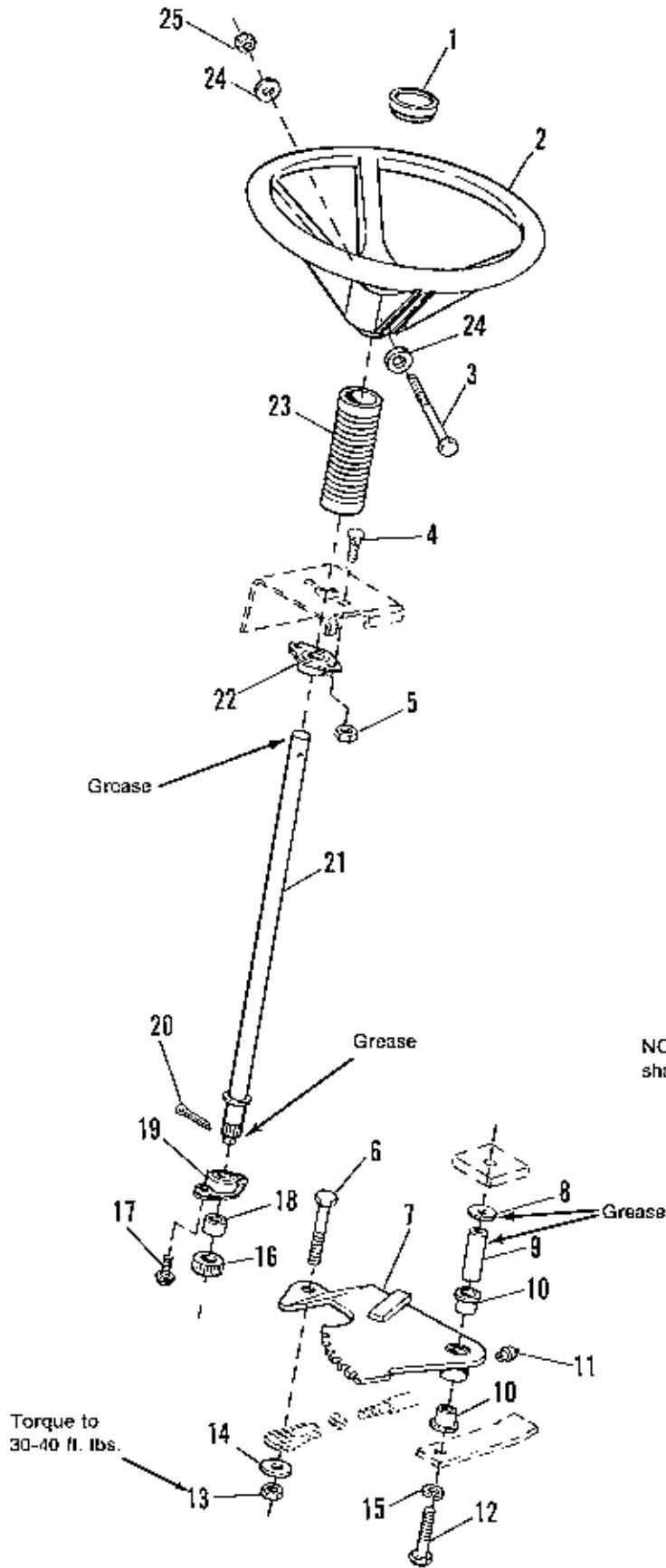
Table of Contents

FRAME GROUP	2
Frame, Platforms, Latch, Rear Weights, Gas Tank, Support	
STEERING GROUP	4
Steering Shaft, Steering Wheel, Arm Assy., Bearings	
REAR AXLE & REAR WHEEL GROUP	6
Rear Axle, Drag Link, Spindles, Tie Rod, Steering Arm Assy., Rear Wheels & Tires	
ENGINE GROUP	8
Engine, Heat Shield, Exhaust System, Drive Pulley, Electric Clutch, Oil Drain	
FUEL SYSTEM GROUP	10
Fuel Tanks, Fuel Hose, Shut-Off Valves, Grommets	
TRANSMISSION GROUP	12
Transmission, Fan, Fan Guard, Transmission Pulley, Drive Pulley, Control Arm Assy., Tow Latch, Belt	
DIFFERENTIAL & FRONT WHEEL GROUP	14
Axle Assembly, Chain, Brake Drum, Front Wheels & Tires	
BRAKE & CLUTCH GROUP	16
Clutch Rod, Brake Band, Rod & Link, Brake Shaft & Pedal	
IMPLEMENT LIFT GROUP	18
Lift Handle, Cover, Shaft Assy. & Rod,	
SEAT & DECK GROUP	20
Seat, Deck, Hinges, Latches	
CONSOLE & CONTROLS GROUP	22
Shift Rod, Throttle Arm, Steering Column, Console, Control Rod, Foot Mats	
ELECTRICAL GROUP - FRONT HARNESS	24
Diode, Indicator Lights, Mirco Switch, Key Switch, Headlight Assy., PTO Switch	
ELECTRICAL GROUP - MAIN HARNESS	26
Battery, Main Harness, Seat Switch, DSI Module, Cables	
42" MOWER HOUSING & COVER GROUP	28
Housing & Cover Assys., Baffles, Blades, Deflector	
42" MOWER SUPPORT GROUP	30
Mower Arm Assy., Support Assy., Rocker Arm Assy., Axle Assy. & Wheels	
42" MOWER DRIVE GROUP	32
Pulley Assys., Clutch Arm Assy., Idler Supports, Belt Stops, Belt	
42" HEIGHT ADJUSTING & ROLLER GROUP	34
Mower Arm Assy., Rollers, Adjusting Rods, Quadrant, Control Lever	
42 ARBOR GROUP	36
Arbor Housings, Shaft & Bearing Assy, Blade Adaptors	
DECAL GROUP	38
TRANSMISSION GROUP (Model 700-018)	40
PEERLESS DIFFERENTIAL (Model 100-080)	42



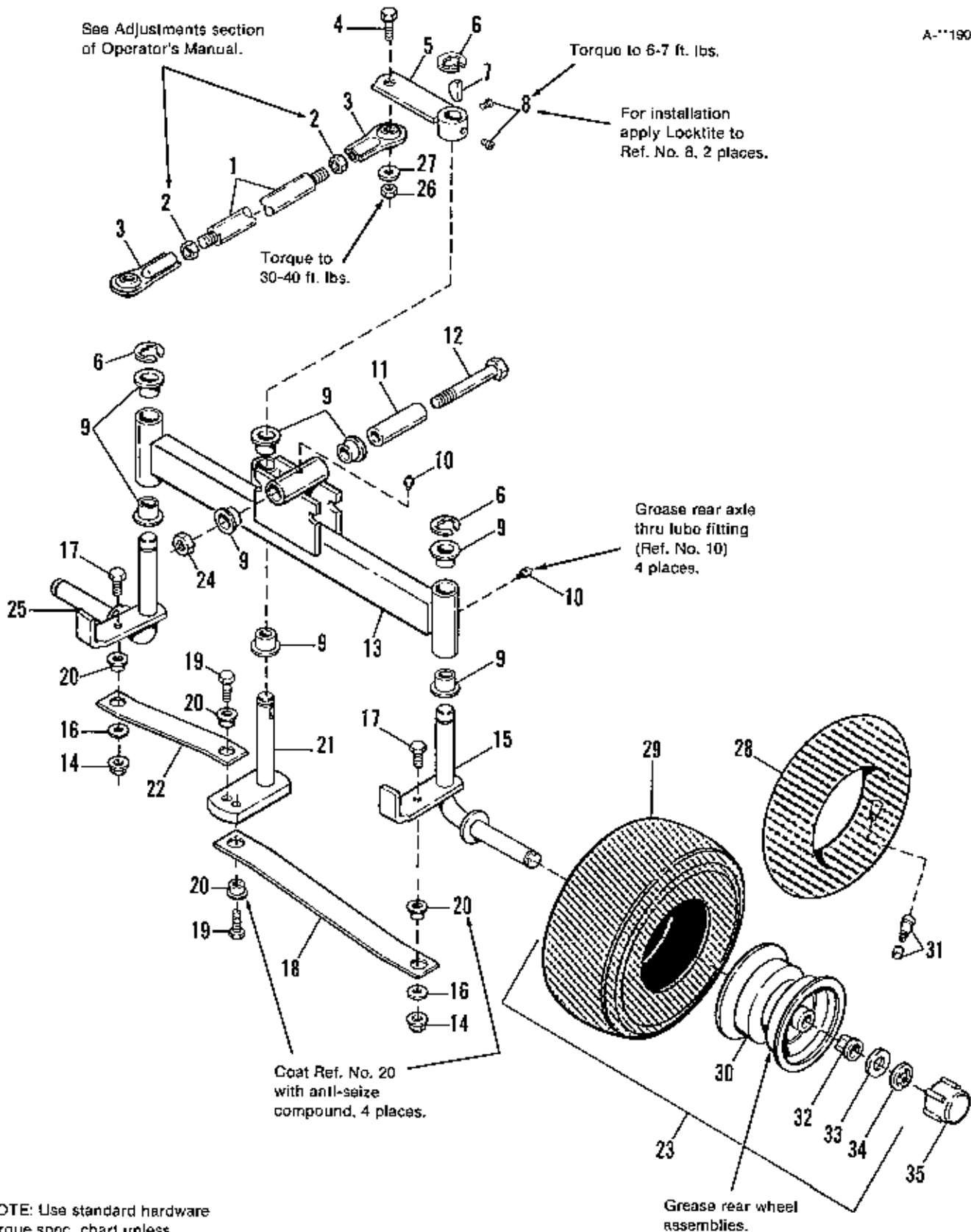
Frame Group

Ref. No.	Part No.	Qty.	Description
1	1703308	1	PLATFORM (1691654)
	71703308	1	PLATFORM (1691658)
2	1931333	4	CARRIAGE BOLT, 5/16-18 x 3/4
3	1704173	1	BRACKET, Pivot
4	108717	2	SPACER
5	170397	2	STOP, Pivot
6	1926940	4	WASHER, Plain
7	1928635	2	SCREW, Taptite, 5/16-16 x 1-1/4
8	1931277	4	NUT, Hex, Whizlock, 5/16-18
9	1678424	1	RETAINER, Cable
10	1664004	2	CLIP
11	1703310	1	SPRING, Torsion
12	1703309	1	ROD, Latch
13	1703522	2	WEIGHT, Rear
14	1703774	1	BRACKET, Roller, Front
15	1703775	1	TUBE, Pivot
16	1704505	2	BUSHING, Flanged
17	1703777	1	BRACKET ASSY.
18	1664847	2	SCREW, Taptite, 5/16-18 x 3/4
19	1703180	2	SUPPORT ASSY., Gas Tank
20	1924856	4	SCREW, Taptite, 5/16-18 x 1/2
21	1703358	1	FRAME ASSY.
22	1922755	2	WASHER, Plain, 3/8
23	1666294	1	SPACER
24	1664847	1	SCREW, Taptite, 5/16-18 x 3/4



Steering Group

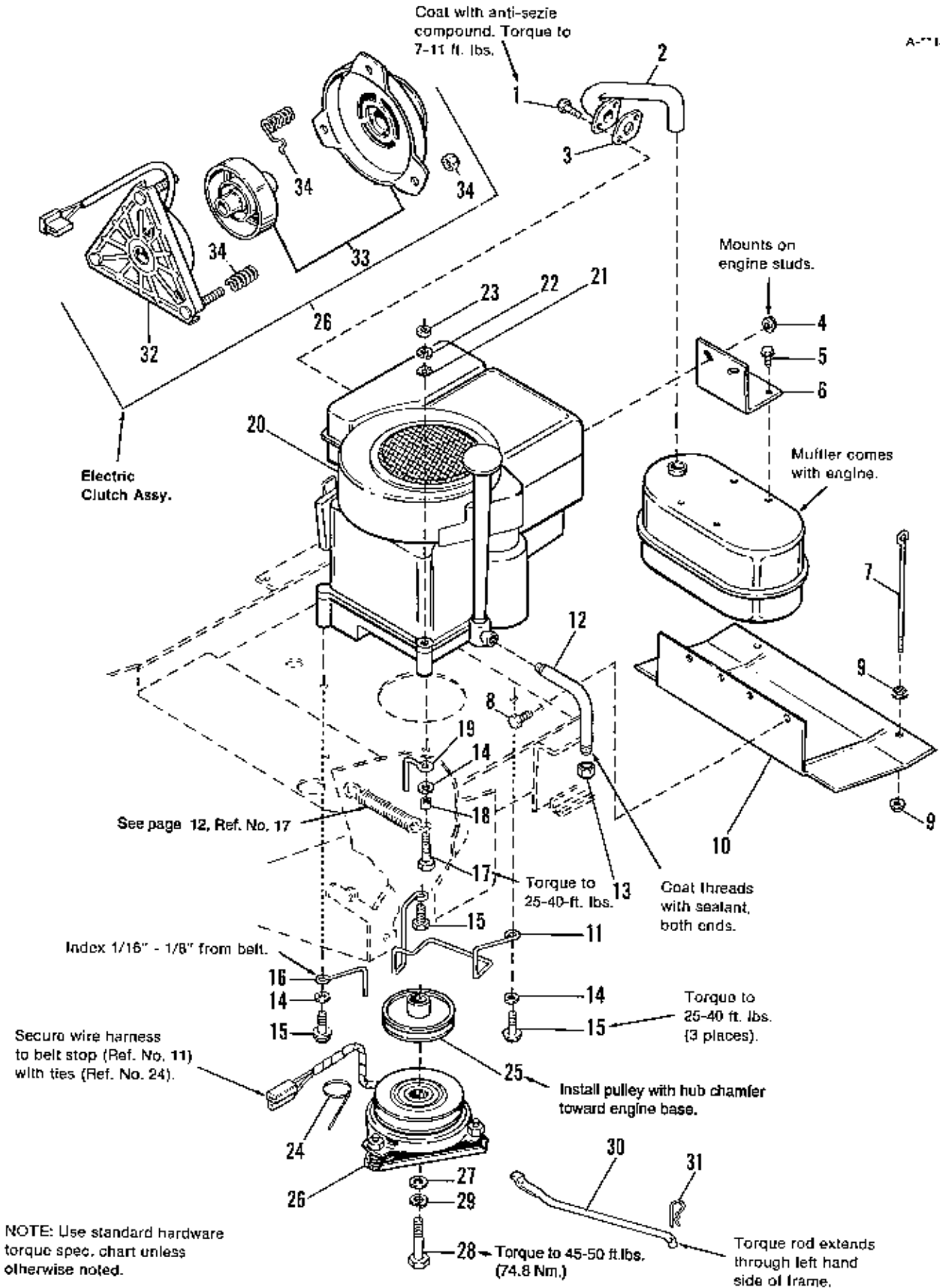
Ref. No.	Part No.	Qty.	Description
1	1657017	1	CAP, Steering Wheel
2	1670989	1	STEERING WHEEL
3	1925690	1	CAPSCREW, Hex, 5/16-18 x 3-1/2
4	1931333	2	CARRIAGE BOLT, 5/16-18 x 3/4
5	1931277	2	NUT, Hex, Whizlock, 5/16 x 18
6	1920328	1	CAPSCREW, Hex, 1/2-13 x 1-1/2
7	1703009	1	ARM ASSY.
8	1702786	1	WASHER, Nylon
9	1703112	1	SPACER
10	1671737	2	BEARING
11	921133	1	FITTING, Lube
12	1927469	1	CAPSCREW, Hex, 1/2-13 x 2-1/4
13	1960379	1	NUT, Esna Hex, 1/2-13 (Thin)
14	1980170	1	WASHER, 1/2 x 1
15	1916988	1	LOCKWASHER, 1/2
16	1703305	1	PINION, Steering Shaft
17	1933260	2	SCREW, Whizlock, 3/8-16 x 3/4
18	1702784	1	SPACER, Steering Shaft
19	1703226	1	BEARING, Flange
20	1918455	1	PIN, Cotter
21	1702870	1	SHAFT ASSY., Steering
22	1702385	1	BEARING, Flange
23	1678381	1	TUBE, Steering Shaft
24	1919326	2	WASHER, 5/16
25	1919438	1	NUT, Hex Esna Lock, 5/16-18



Rear Axle & Rear Wheel Group

Ref. No.	Part No.	Qty.	Description
1	1702778	1	DRAG LINK
2	1919262	2	NUT, Jam, 1/2-20
3	1702779	2	ROD END, Ball Joint
4	1920328	1	CAPSCREW, Hex Hd., 1/2-13 x 1-1/2
5	1703203	1	STEERING ARM ASSY.
6	1611710	3	E-RING
7	930672	1	KEY, HiPro, 3/16 x 5/8
8	1928804	2	SETSCREW, Cup Pt., 1/4-20 x 5/16
9	176440	8	BEARING, Nylon
10	921133	4	LUBE FITTING
11	1678228	1	TUBE, Pivot Support
12	1926158	1	CAPSCREW, 1/2-13 X 4
13	1703175	1	REAR AXLE ASSY.
14	1930651	2	NUT, Centerlock, 3/8-16
15	1703964	1	SPINDLE ASSY., L.H.
16	1924940	2	WASHER, 3/8
17	1920415	2	CAPSCREW, Hex, 3/8-16 x 1-1/4
18	1703178	1	ROD, Tie
19	1950378	2	CAPSCREW, Whizlock, 3/8-16 X 7/8
20	1678333	4	SPACER
21	1703172	1	STEERING ARM ASSY
22	1678313	1	ROD, Tie
23	1702604	2	WHEEL & TIRE ASSY., White (13 x 5.00-8)
	1702606	2	WHEEL & TIRE ASSY., Silver (13 x 5.00-8)
24	1930644	1	NUT, Esna, Lock, 1/2-13
25	1703954	1	SPINDLE ASSY., R.H.
26	1960379	1	NUT, Esna, Lock, 1/2-13 (Thin)
27	1960170	1	WASHER, 1/2
28	1664090	2	TUBE (Service only, see note below)
29	1651786	2	TIRE, 13 X 5.00-6
30	1702605	2	WHEEL ASSY., White (13 x 5.00-6)
	1702607	2	WHEEL ASSY., Silver (13 x 5.00-6)
31	172353	2	VALVE STEM & CAP
32	1679713	4	BEARING
33	960202	2	WASHER, 3/4
34	1611710	2	RING, Retaining
35	1673333	2	CAP, Threaded

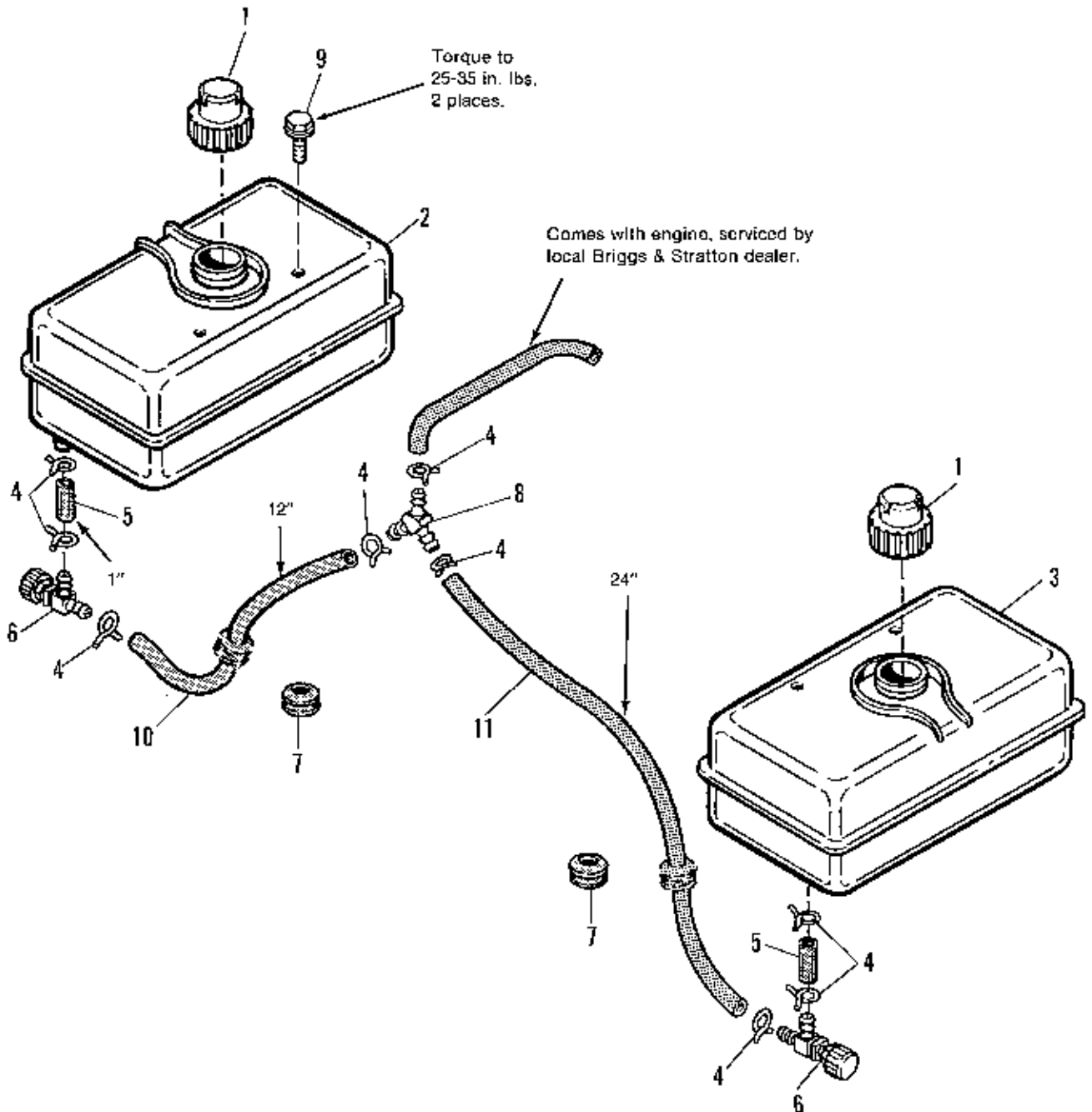
*NOTE: Simplicity Tire Sealant can be used to repair tires in place of tubes. See inside front cover of this manual for part number.



Engine Group

Ref. No.	Part No.	Qty.	Description
1	1930591	2	SCREW, Whizlock, 5/16-18 x 3/4
2	1655860	1	PIPE, Exhaust
3	1650670	1	GASKET, Muffler
4	1931277	2	NUT, Hex Whizlock, 5/16-18
5	1927429	4	SCREW, Taptite, 1/4-20 x 5/8
6	1700164	1	BRACKET, Muffler
7	1676338	2	ROD, Battery Hold Down
8	1924856	2	SCREW, Taptite, 5/16-18 x 1/2
9	1980294	4	NUT, Flange Whizlock, 1/4-20
10	1703720	1	HEAT SHIELD ASSY.
11	1705268	1	STOP, Belt
12	1664989	1	DRAIN, Oil
13	1667346	1	CAP, Hex, 3/8
14	1924940	4	WASHER, 3/8
15	930598	3	SCREW, Taptite, 3/8-16 x 1-1/2
16	172844	1	STOP, Belt
17	960356	1	SCREW, Taptite, 3/8-16 x 2-1/2
18	1666804	1	SPACER
19	1678306	1	STOP, Belt
20	*	1	ENGINE, 12 HP Briggs & Stratton (Includes muffler)
21	920427	1	LOCKWASHER, Ext. Tooth, 3/8
22	916965	1	LOCKWASHER, 3/8
23	916950	1	NUT, Hex Hd., 3/8-16
24	1704739	2	TIE
25	1702961	1	PULLEY ASSY., Drive
26	1703074	1	ELECTRIC CLUTCH ASSY. (Incl. Ref. Nos. 32 - 34)
27	1708264	1	WASHER, 7/16
28	1960351	1	CAPSCREW, Hex, 7/16 x 3-1/4
29	1918199	1	LOCKWASHER, 7/16
30	1703107	1	ROD, Torque
31	1918198	1	CLIP, Hair Pin
32	1679101	1	FIELD ASSY., Clutch
33	1685485	1	ROTOR ASSY./ARMATURE ASSY. KIT, Clutch
34	1679104	1	ACCESSORY KIT

* See your local Briggs & Stratton distributor for engine parts & service.

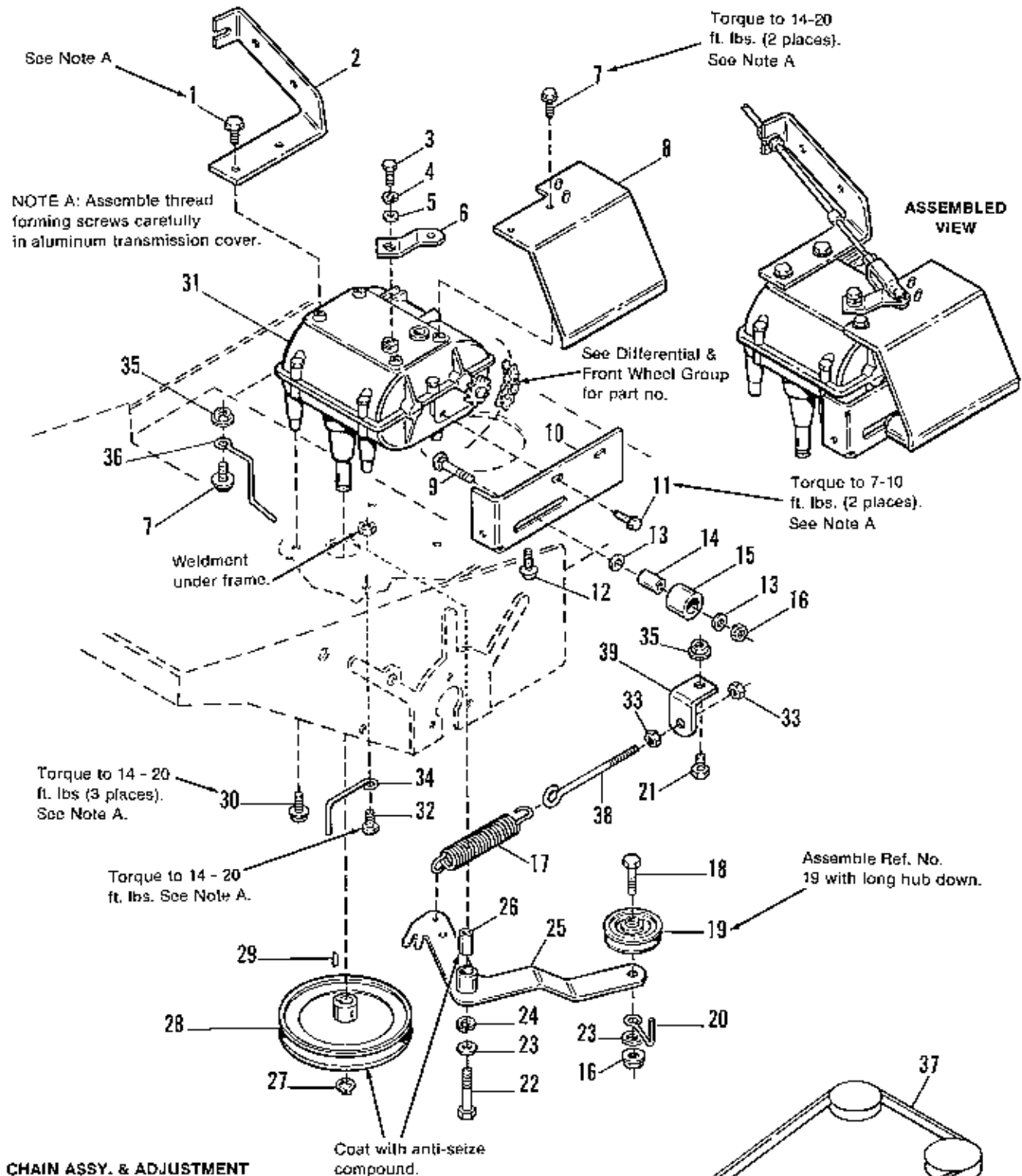


NOTE: Use standard hardware torque spec. chart unless otherwise noted.

Fuel System Group

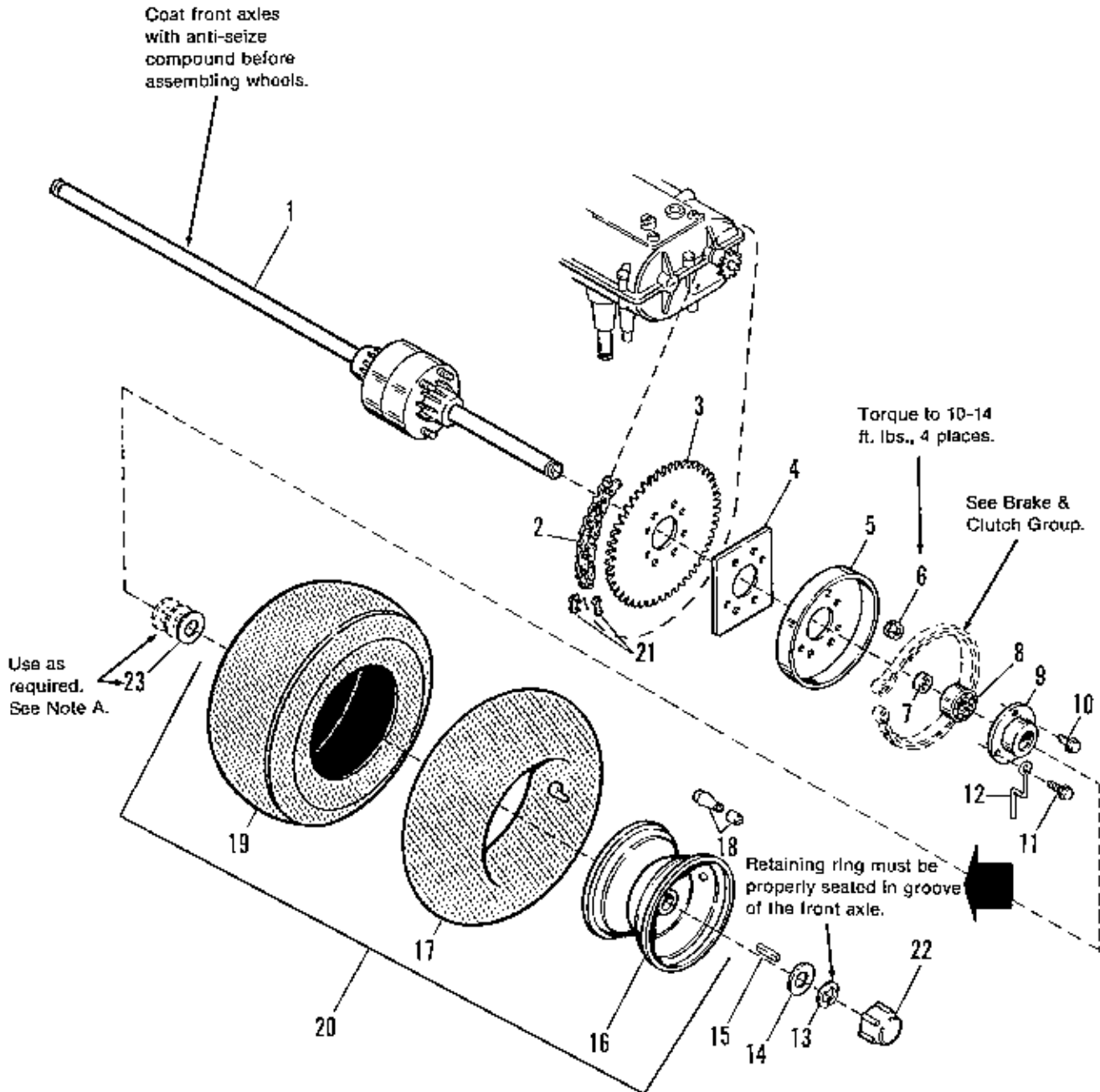
Ref. No.	Part No.	Qty.	Description
1	1702507	2	CAP, Fuel Tank
2	1702506	1	TANK, Fuel (R.H.) (Incl. Qty. 1, Ref. No. 1)
3	1702505	1	TANK, Fuel (L.H.) (Incl. Qty. 1, Ref. No. 1)
4	1960112	9	CLAMP, Hose
5	1678456	2	HOSE, Fuel
6	1678455	2	VALVE, Shutoff
7	1650793	2	GROMMET
8	1678320	1	FITTING, Tee
9	1678380	4	SCREW, Special
10	*	1	HOSE, Fuel
11	*	1	HOSE, Fuel

* Order part number 1678881, 45" fuel hose, and cut to length.



Transmission Group

Ref. No.	Part No.	Qty.	Description
1	1930601	2	SCREW, Taptite, 5/16-18 x 5/8
2	1678285	1	BRACKET, Cable
3	1922234	1	CAPSCREW, Hex, 1/4-28 x 5/8
4	1916964	1	LOCKWASHER, 1/4
5	1919381	1	WASHER, 5/16
6	1678283	1	LEVER, Shift
7	1924856	3	SCREW, Taptite, 5/16-18 x 1/2
8	1678372	1	GUARD, Chain
9	1960315	1	CARRIAGE BOLT, 3/8-16 x 2.0
10	1677867	1	SUPPORT, Transmission
11	1927429	2	SCREW, Taptite, 1/4-20 x 5/8
12	1936482	2	SCREW, Taptite, 5/16-18 x 3/4
13	1922611	2	WASHER, 3/8
14	170389	1	SPACER
15	170177	1	ROLLER, Nylon
16	1919439	2	NUT, ESNA Lock, 3/8-16
17	1676351	1	SPRING
18	1921971	1	CAPSCREW, 3/8-16 x 1-3/4
19	1668827	1	PULLEY, Idler
20	1656054	1	STOP, Belt
21	1921332	1	CAPSCREW, Hex, 5/16-18 x 3/4
22	1922130	1	CAPSCREW, 3/8-16 x 2-1/4
23	1924940	2	WASHER, 3/8
24	1916803	1	LOCKWASHER, 3/8
25	1678054	1	CLUTCH ARM ASSY.
26	1678057	1	SPACER
27	927103	1	RING, Retaining
28	1678350	1	PULLEY ASSY., Transmission
29	905123	1	KEY, Woodruff No. 9
30	1930591	3	SCREW, Hex Whizlock, 5/16-18 x 3/4
*31		1	TRANSMISSION, 5 Speed
32	1960373	1	SCREW, Taptite, 5/16-18 x 1
33	1920161	2	NUT, Jam, 5/16-18
34	172845	2	STOP, Belt
35	1931277	2	NUT, Hex Whizlock, 5/16-18
36	1704808	1	STOP, Belt
37	1678354	1	BELT, Drive
38	1704865	1	EYEBOLT
39	1669377	1	BRACKET



NOTE A: Left wheel to be installed first with end play taken out to left. Install right wheel and add washer(s) (Ref. No. 23) as required to remove end play.)

NOTE: Use standard hardware torque spec. chart unless otherwise noted.

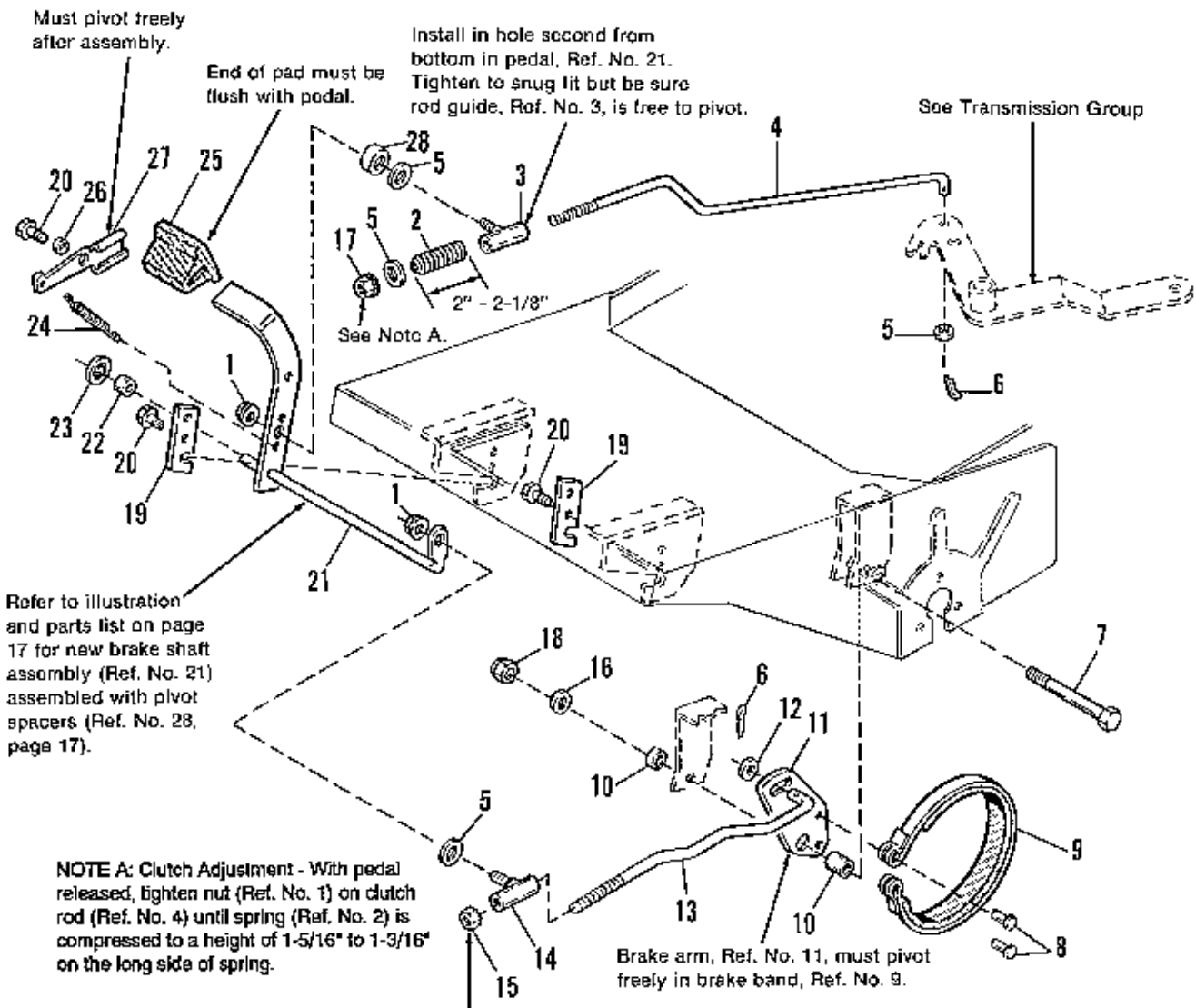
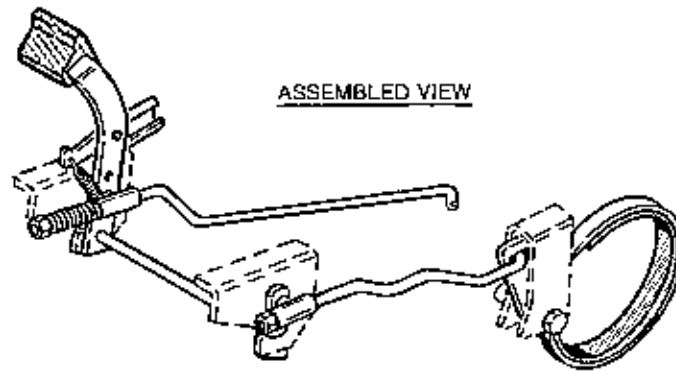
NOTE: See Chain Assy. & Adjustment note on page 12.

Differential & Front Wheels Group

Ref. No.	Part No.	Qty.	Description
1	*	1	AXLE ASSY., Differential
2	1704297	1	CHAIN, Roller (#40)
3	1668296	1	SPROCKET, 54 Tooth
4	1678408	1	SHIM, Sprocket
5	1668295	1	DRUM, Brake
6	1931277	4	NUT, Whizlock, 5/16-18
7	1701772	1	SPACER, Axle
8	108202	2	BEARING
9	1665696	2	FLANGE, Bearing
10	1924856	5	SCREW, Taptite, 5/16-18 x 1/2
11	1668487	1	SCREW, Taptite, 5/16-18 x 3/4
12	1678447	1	STOP, Brake Band
13	1611710	2	RING, Retaining, Wheel
14	960202	5	WASHER, 34
15	8221042	2	KEY, 3/16 x 3/16 x 1-1/2
16	1705046	2	WHEEL ASSY., White
	1705047	2	WHEEL ASSY., Silver
17	164247	2	TUBE (Service only, see note below)
18	172353	2	VALVE STEM & CAP
19	1605965	2	TIRE, 16 x 6.50-8
20	1705037	2	WHEEL & TIRE ASSY., White, 16 X 6.50-8 (Incl. Ref. Nos. 16, 18, 19)
	1705038	2	WHEEL & TIRE ASSY., Silver, 16 X 6.50-8 (Incl. Ref. Nos. 16, 18, 19)
21	1704893	1	MASTER LINK, Chain (#40)
22	1673333	2	CAP, Threaded
23	1960114	3	WASHER, Shim, 3/4 x 1-1/16 (Use as needed)

* See page 42 for parts breakdown. For parts & service see your local Tecumseh/Peerless distributor.

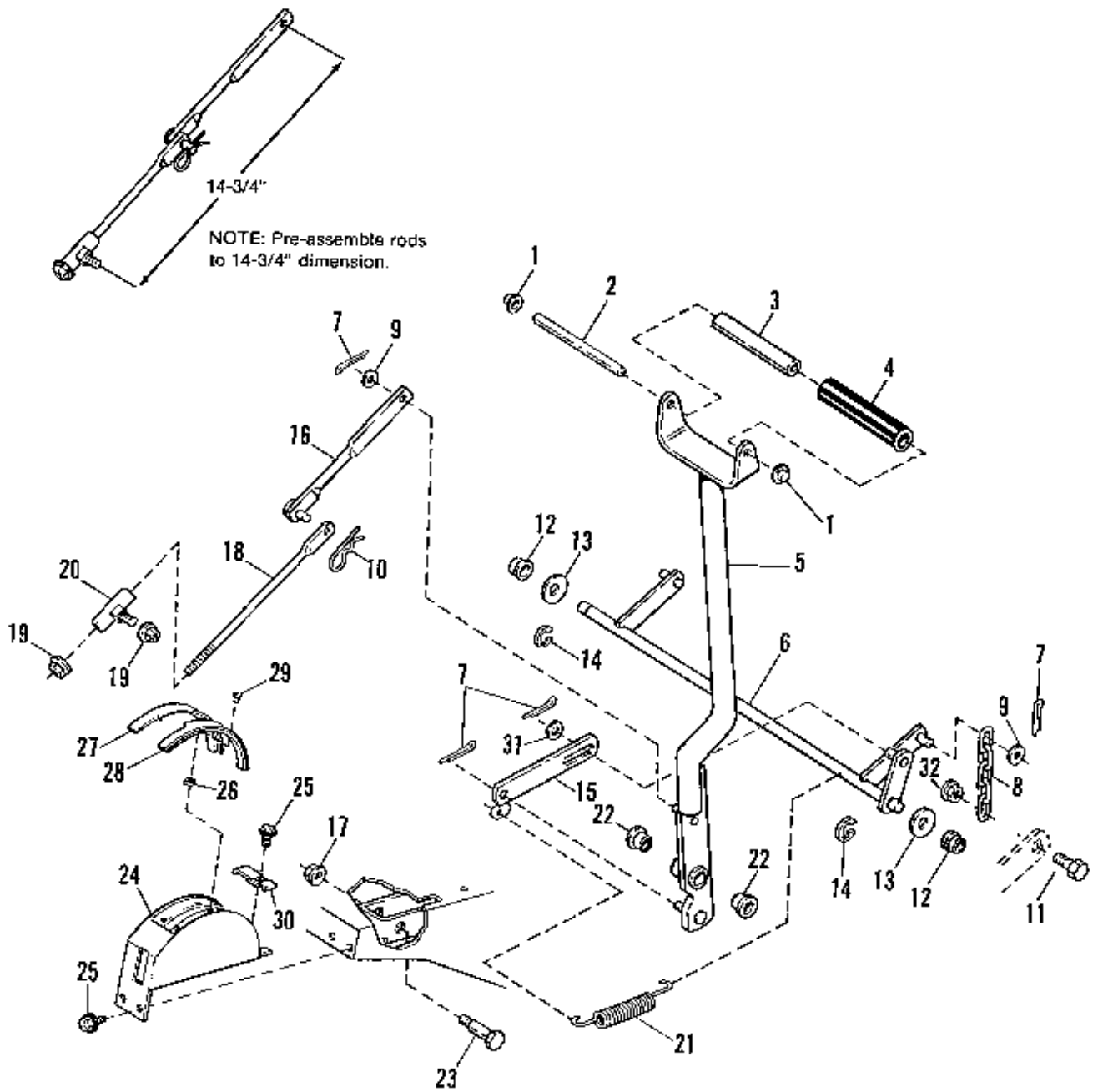
NOTE: Simplicity Tire Sealant can be used to repair tires in place of tubes. See inside front cover of this manual for part number.



NOTE: Use standard hardware torque spec. chart unless otherwise noted.

Brake & Clutch Group

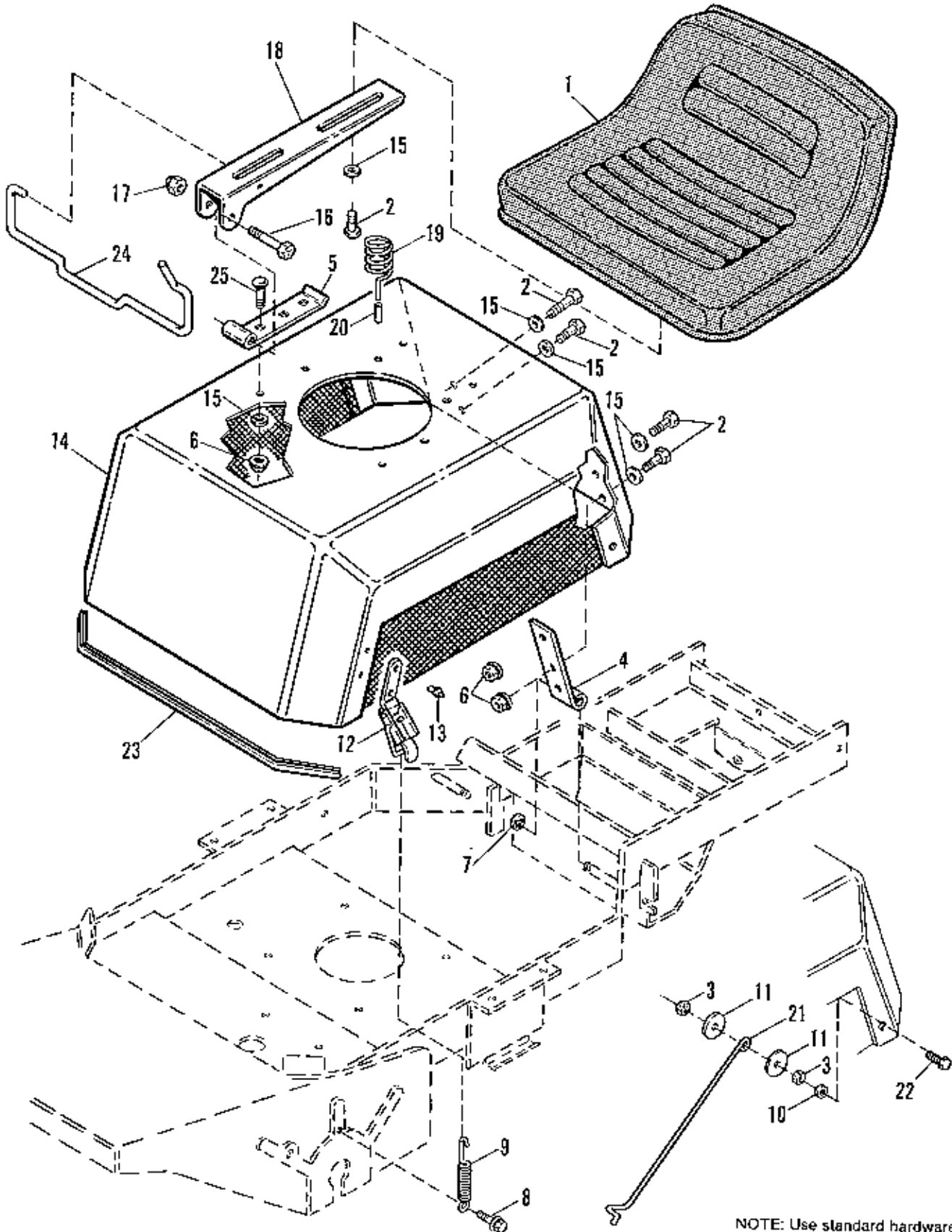
Ref. No.	Part No.	Qty.	Description
1	1935048	2	NUT, Hex Lock, 5/16-18
2	157041	1	SPRING
3	154117	1	GUIDE ASSY., Rod (Clutch)
4	1678287	1	ROD, Clutch
5	1919328	4	WASHER, 11/32 x 3/4
6	1918447	2	PIN, Cotter, 3/4
7	1960286	1	CAPSCREW, Hex, 1/2-13 x 3-1/2, Gr. 5
8	1667132	2	PIN
9	1679357	1	BAND ASSY., Brake
10	1678409	2	SPACER
11	1678279	1	LINK, Brake Arm
12	1924940	1	WASHER, 3/8
13	1703375	1	ROD, Brake
14	1700114	1	GUIDE ASSY., Rod (Brake)
15	1919439	1	NUT, Hex, Lock, 3/8-16
16	1960170	1	WASHER, 1/2
17	1919438	1	NUT, Hex, Esna Lock, 5/16-18
18	1960379	1	NUT, Hex, Esna Lock, 1/2-13
19	1678327	2	BRACKET, Brake
20	1924856	4	SCREW, Taptite, 5/16-18 x 1/2
21	1705406	1	SHAFT ASSY., Brake
22	1678328	1	SPACER
23	1690260	1	PUSHNUT
24	1678341	1	SPRING
25	1704849	1	PAD, Pedal
26	1665844	1	SPACER
27	1678340	1	LATCH, Brake
28	1703900	2	SPACER



NOTE: Use standard hardware torque spec. chart unless otherwise noted.

Implement Lift Group

Ref. No.	Part No.	Qty.	Description
1	1960093	2	PUSH NUT
2	1704038	1	PIN, Handle
3	1704915	1	SPACER
4	1705005	1	HANDLE
5	1704869	1	HANDLE ASSY., Lift
6	1704868	1	SHAFT ASSY., Lift
7	1918447	5	PIN, Cotter
8	1678337	2	CHAIN, Lift
9	1919326	3	WASHER
10	1918196	1	COTTER PIN, Hairpin
11	1921333	2	CAPSCREW, 5/16-16 x 1
12	1668185	2	BUSHING, Nylon
13	1924359	2	WASHER, Plain
14	1703805	2	KLIPRING, 1/2
15	1704871	1	BAR ASSY., Lift
16	1704175	1	LIFT ROD ASSY.
17	1931211	1	NUT, Whizlock, 3/8-16
18	1704163	1	LIFT ROD, Lower
19	1919439	2	NUT, Hex, Esna Lock, 3/8-16
20	108166	1	YOKE ASSY., Pivot
21	1704442	1	SPRING
22	1704505	2	BUSHING, Flanged
23	170135	1	BOLT, Shoulder
24	1704363	1	COVER, Lift Lever
25	1929477	3	SCREW, Taptite #10-24 x 1/2
26	1704883	8	NUT, Push
27	1704365	1	STRIP, Rubber, R.H.
28	1704364	1	STRIP, Rubber, L.H.
29	1704882	8	RIVET, Push
30	1704199	1	CLAMP, Cover
31	1924940	1	WASHER, Plain, 3/8
32	1935048	2	NUT, Hex, Flange Lock, 5/16-18



NOTE: Use standard hardware torque spec. chart unless otherwise noted.

Seat & Deck Group

Ref. No.	Part No.	Qty.	Description
1	1709021	1	SEAT
2	1925205	4	CAPSCREW, Hex Hd., 5/16-18
3	1923358	2	NUT, Hex Centerlock, 1/4-20
4	1701560	2	HINGE, Seat Deck
5	1701560	2	HINGE, Lower Seat
6	1931277	8	NUT, Hex, Whizlock, 5/16-18
7	932724	2	RING, Retaining
8	1924856	2	SCREW, Taptite, 5/16-18
9	1702722	2	SPRING, Latch
10	1921319	1	WASHER, 1/4
11	1960151	2	WASHER, 1/4 x 1-1/4
12	1685624	2	LATCH, Seat, Pull Tight
13	1675044	4	RIVET, Seat Latch
14	1705060	1	DECK, Seat (1691654)
	71705060	1	DECK, Seat (1691658)
15	1919326	12	WASHER, Flat, 5/16
16	1923701	2	CAPSCREW, 3/8-16 x 2
17	1919439	2	NUT, Hex Esna Lock, 3/8-16
18	1701559	2	HINGE, Upper, Seat
19	1666690	2	SPRING, Seat
20	1666691	2	COVER, Spring
21	1703530	1	ROD, Seat Deck
22	1921960	1	CAPSCREW, 1/4-20 x 1-1/4
23	1702158	1	MOLDING, Deck
24	1703533	1	LATCH, Seat
25	1960282	4	CARRIAGE BOLT, 5/16-18 x 3/4

Shift lever effort to be 15-25 lbs. at knob.

Transmission MUST remain in neutral when shift lever (Ref. No. 2) is against upper & lower neutral stops of steering column console (Ref. No. 36).

NOTE: When assembling Ref. No. 38, be sure cupped side of spacer faces shift lever (Ref. No. 13).

Lubricate

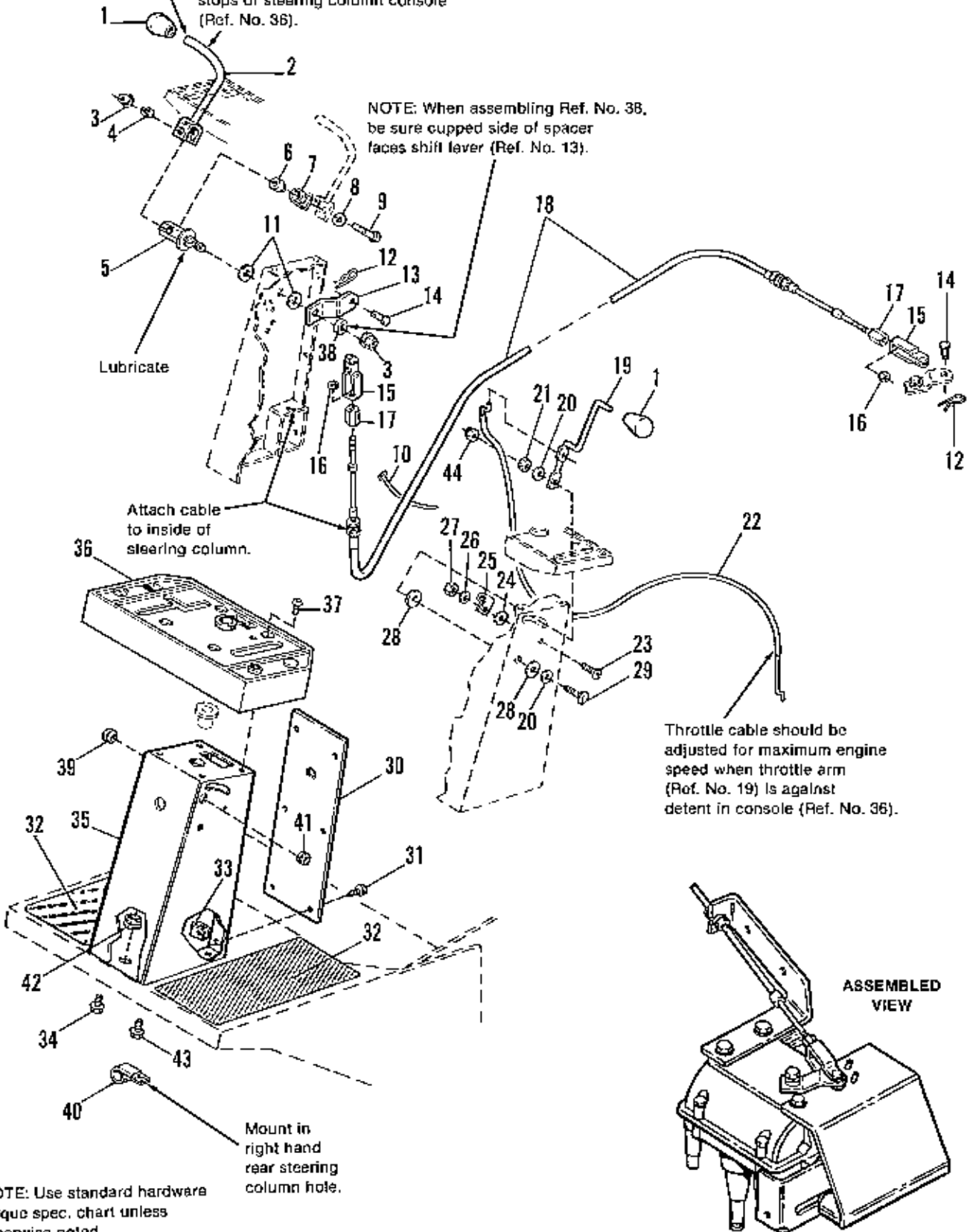
Attach cable to inside of steering column.

Throttle cable should be adjusted for maximum engine speed when throttle arm (Ref. No. 19) is against detent in console (Ref. No. 36).

Mount in right hand rear steering column hole.

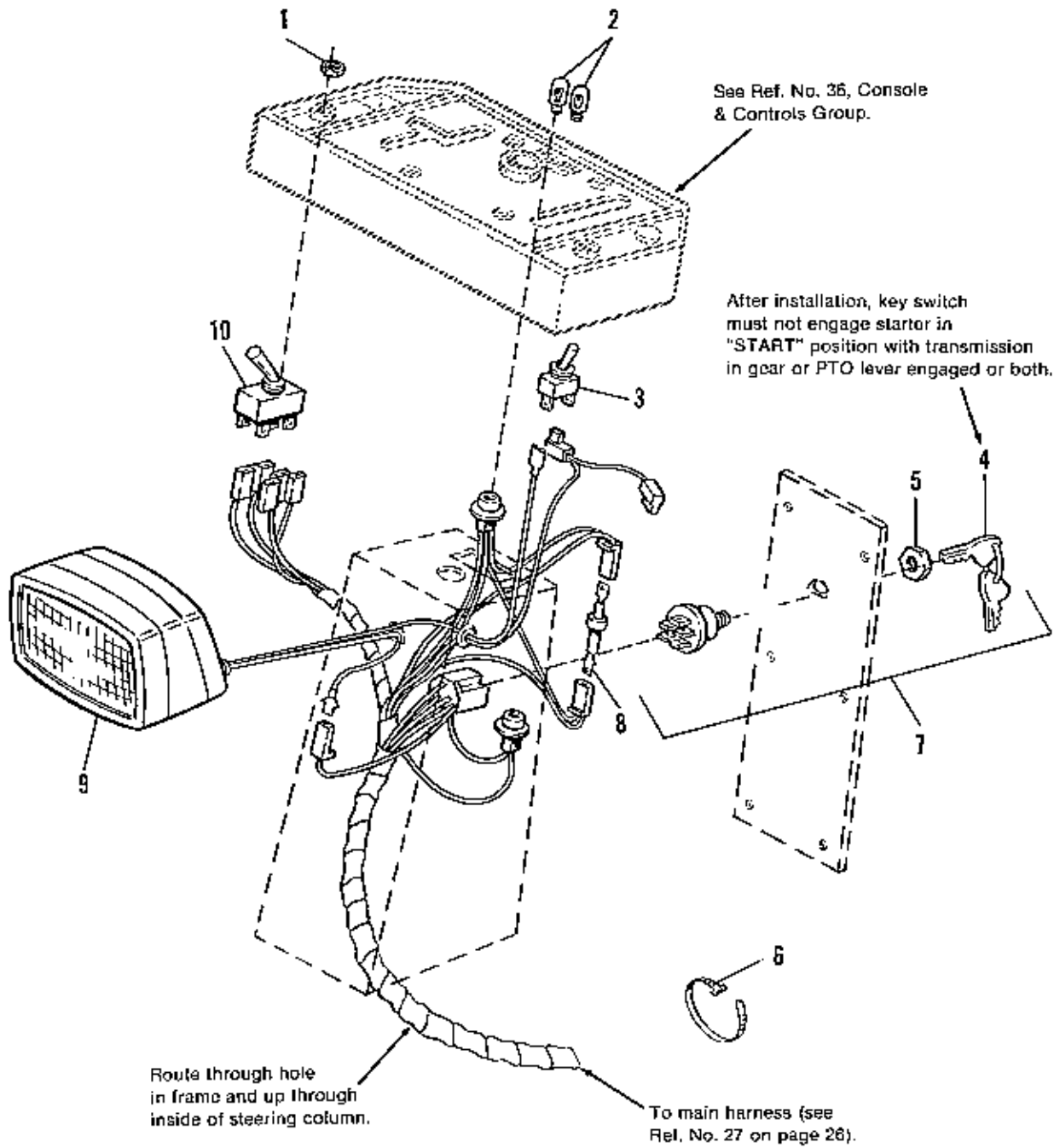
NOTE: Use standard hardware torque spec. chart unless otherwise noted.

ASSEMBLED VIEW



Console & Controls Group

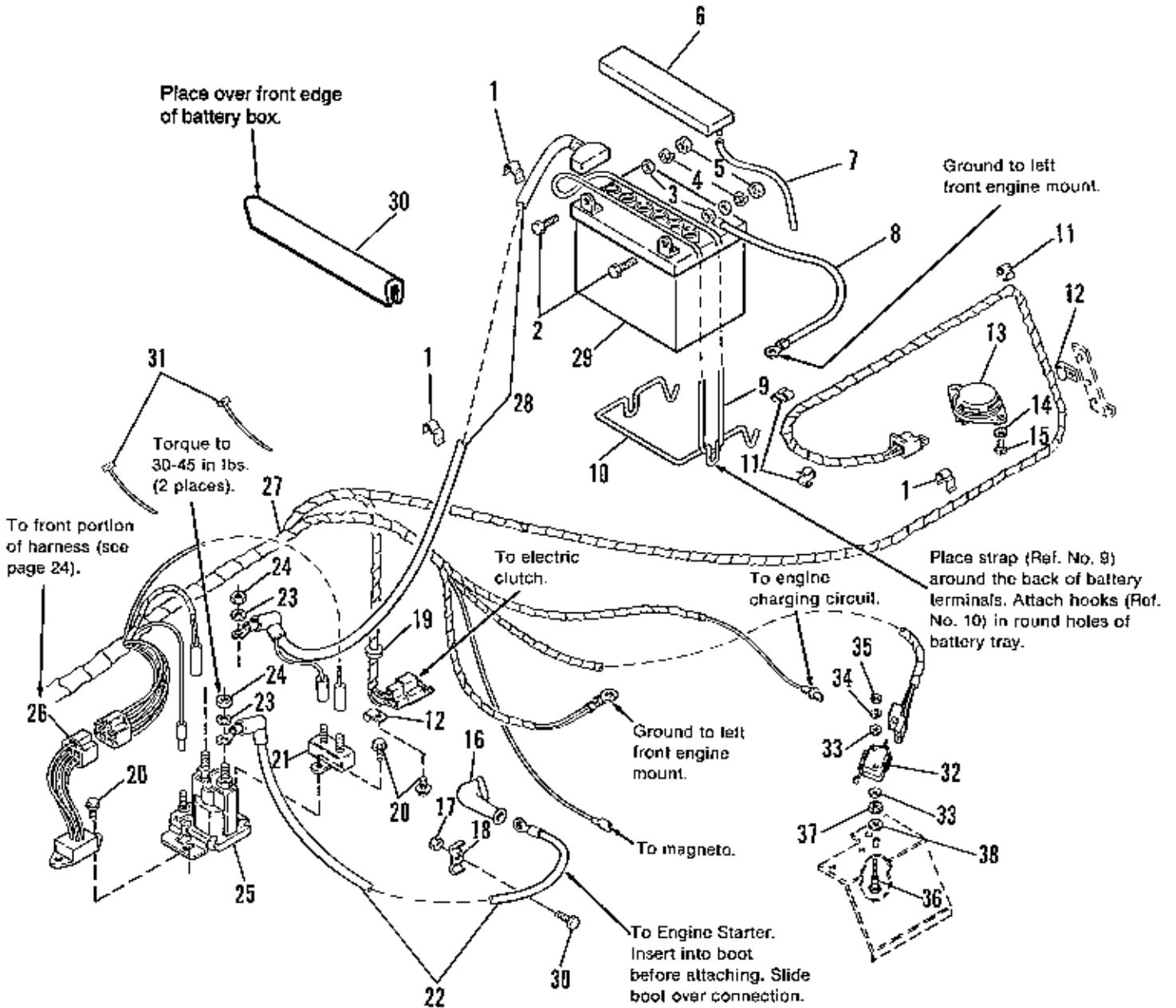
Ref. No.	Part No.	Qty.	Description
1	1702618	2	KNOB, Control
2	1703747	1	ROD ASSY., Shift
3	1924433	2	NUT, Hex, Fiber Lock, 5/16-18
4	1665889	1	SPACER
5	1702002	1	PIVOT, Shift (Incl. Ref. No. 38)
6	1678425	1	SPACER
7	1678429	1	SPRING, Torsion
8	1919326	1	WASHER, Flat, 5/16
9	1921978	1	CAPSCREW, Hex, 5/16-18 x 2
10	925094	1	TIE, Self-Locking
11	1678360	2	WASHER, Nylon, 33/64 x 1
12	1960221	2	PIN, Quick
13	1678283	1	LEVER, Shift
14	1960261	2	PIN
15	1678377	2	CLEVIS
16	1678436	2	NUT, Special, #10-32
17	1700860	2	NUT, Collar
18	1703847	1	CABLE, Transmission
19	1678362	1	THROTTLE ARM
20	1921319	2	WASHER, 1/4
21	1923358	1	LOCKNUT, 1/4-20
22	1678371	1	CABLE, Throttle
23	1930531	1	SCREW, Rd. Hd., #10-32 x 1/2
24	1922711	1	LOCKWASHER, Ext. Tooth, #10
25	158475	1	CLIP, Throttle Cable
26	1910531	1	WASHER, #10
27	1928919	1	NUT, #10-32
28	1678366	2	WASHER, Nylon, 17/64 x 3/4 x 7/8
29	1921960	1	CARRIAGE BOLT, 1/4-20 x 1
30	1678245	1	PANEL, Steering Column
31	1676860	6	SCREW, Hex, Type AB-#14, 1/4-14 x 5/8
32	1678437	2	MAT, Foot
33	1676647	5	SPEED NUT, "U" Type, #14
34	1924856	3	SCREW, Tapite, 5/16-18 x 1/2
35	1703434	1	COLUMN ASSY., Steering (1691654)
	71703434	1	COLUMN ASSY., Steering (1691658)
36	1703295	1	CONSOLE, Steering Column
37	1678419	4	SCREW, Tapite, 1/4-20 x 3/4
38	1700880	1	SPACER, Shift Lever
39	1705004	1	GROMMET
40	122186	1	CLAMP
41	172176	1	GROMMET
42	1704862	1	GROMMET
43	1664847	1	SCREW, Tapite, 5/16-18 x 3/4
44	1920397	1	NUT, Hex, Esna Lock, 1/4-20



NOTE: Use standard hardware torque spec. chart unless otherwise noted.

Electrical Group - Front Harness

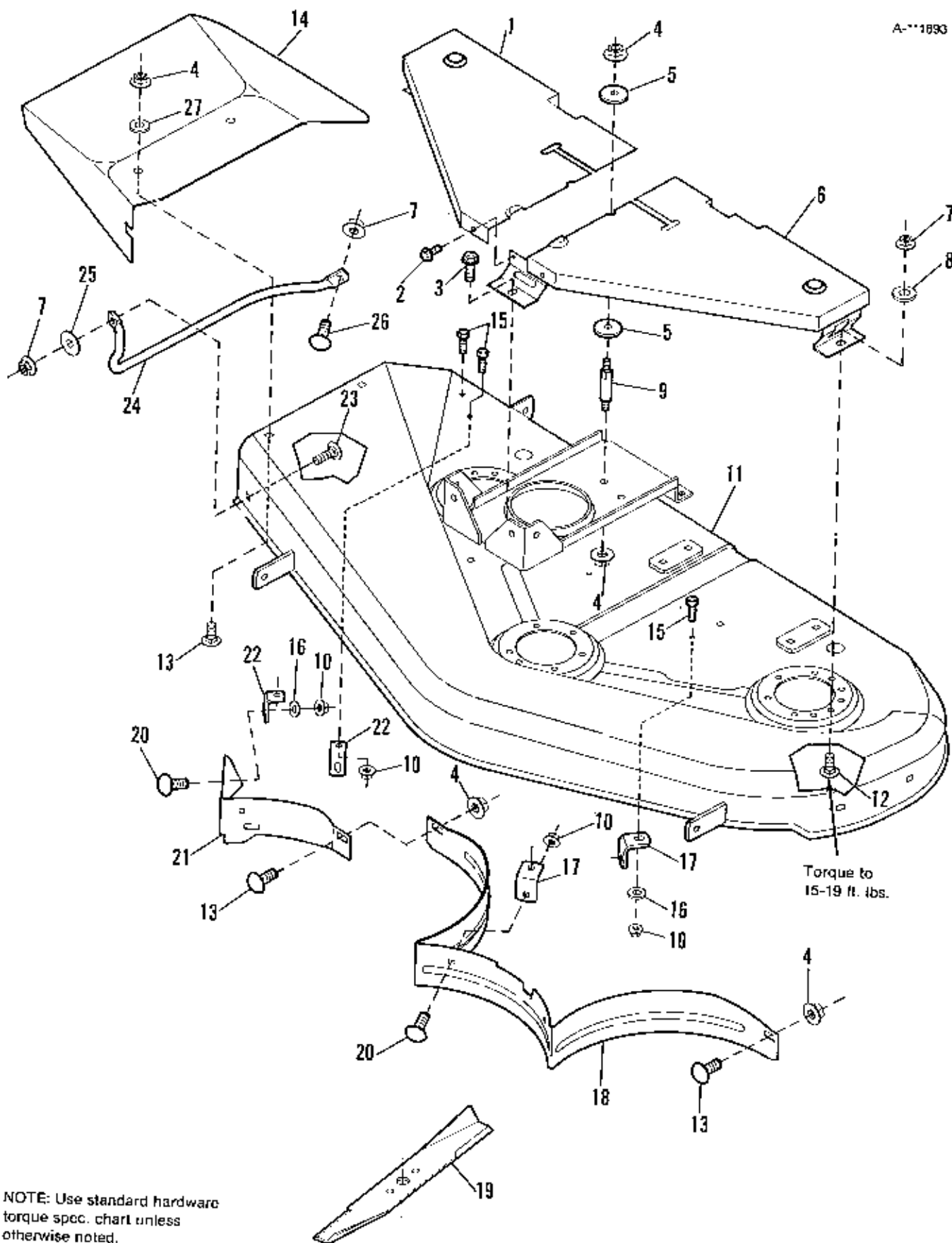
Ref. No.	Part No.	Qty.	Description
1	1677663	1	NUT, Special
2	1676130	2	LAMP, Indicator (Qty. 3 on 12.5 HP & 16 HP)
3	122184	1	SWITCH, Toggle
4	1704348	1	KEYS & RING
5	1704347	1	NUT, Adapter
6	932747	2	TIE, Cable
7	1679006	1	SWITCH ASSY., Ignition (Incl. Ref. Nos. 4 & 5)
8	1677484	1	DIODE
9	1679954	1	HEADLIGHT ASSY.
10	175800	1	SWITCH ASSY., P.T.O. (Incl. Ref. No. 1)



NOTE: Use standard hardware torque spec. chart unless otherwise noted.

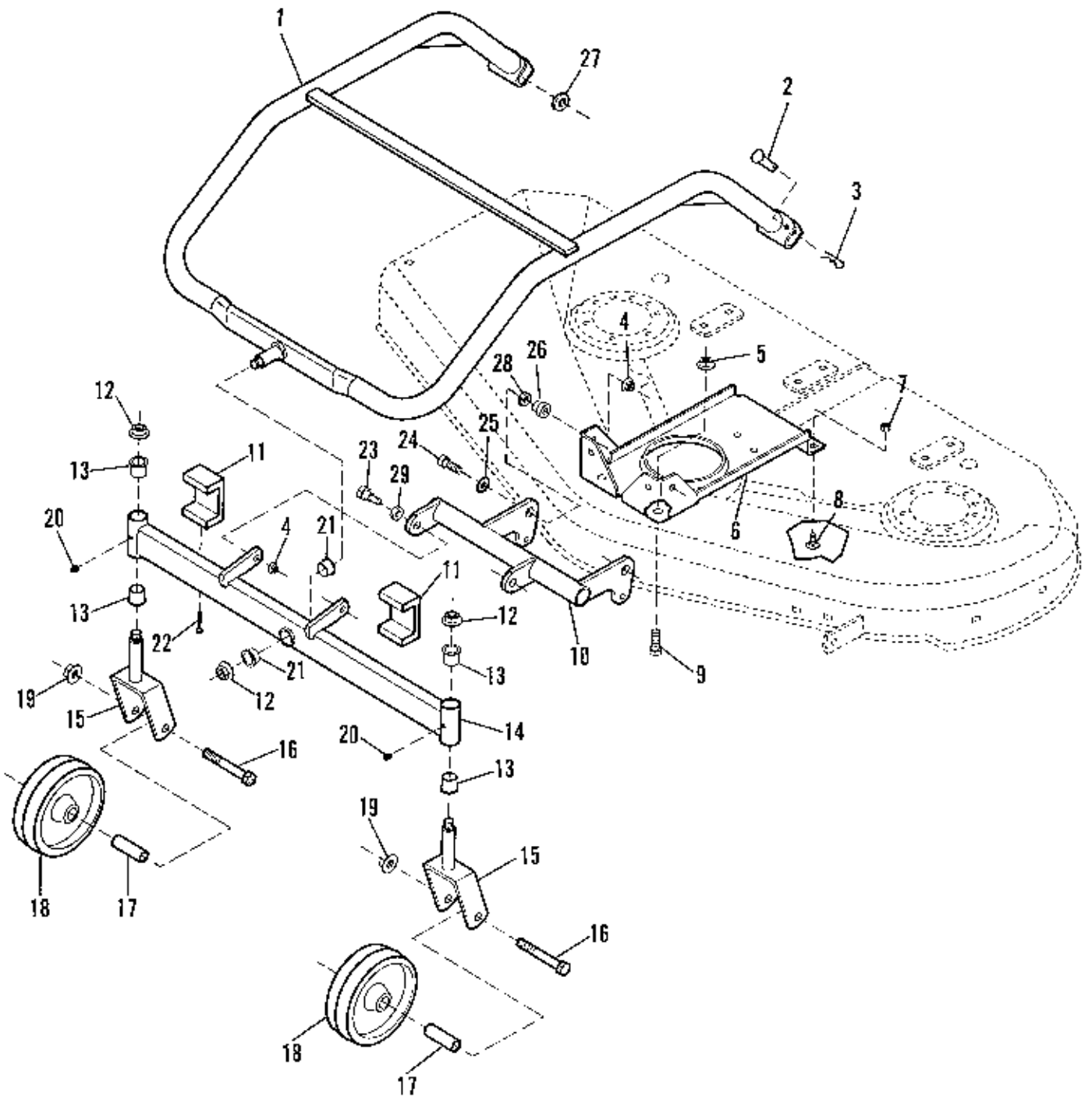
Electrical Group - Main Harness

Ref. No.	Part No.	Qty.	Description
1	172436	3	CLIP, Wire
2	1923341	4	CAPSCREW, Hex, 1/4-20 x 3/4
3	1921319	2	WASHER, 1/4
4	1916964	2	LOCKWASHER, 1/4
5	1916622	2	NUT, Hex, 1/4-20
6	1704581	1	VENT CAP, Battery
7	1704389	1	HOSE, Drain, Battery
8	1703589	1	CABLE ASSY. (Battery to Ground)
9	1665872	1	STRAP, Battery
10	1667805	1	BRACE, Battery Hold Down
11	930222	3	CLIP, Wire
12	1708008	3	CLAMP, Wire
13	1703373	1	SWITCH, Seat
14	1921880	2	LOCKWASHER, Ext. 1/4
15	1960357	2	SCREW, Rd. Hd., 1/4-20 x 3/4
16	122023	1	COVER, Terminal
17	1960294	2	NUT, Hex, Whizlock, 1/4-20
18	1701700	2	CLAMP
19	1703473	1	GROMMET
20	925592	3	SCREW, Tapite, 1/4-20 x 3/4
21	1665238	1	CIRCUIT BREAKER
22	1668819	1	CABLE ASSY., Starter
23	1917356	2	LOCKWASHER, 5/16
24	1920263	2	NUT, Hex, 5/16-24
25	1708247	1	SOLENOID
26	1707755	1	MODULE, DSI, Interlock
27	1704945	1	WIRING HARNESS
28	1703851	1	CABLE ASSY. (Battery Positive)
29	1704441	1	BATTERY, 12 Volt
30	1708247	1	MOLDING
31	1704739	2	TIE, Cable
32	1679932	1	SWITCH, Tandem
33	1917458	4	WASHER, #6
34	1930947	2	LOCKWASHER, #5
35	1931003	2	NUT, Hex, #5-40
36	1678398	2	STUD, Switch, Mounting
37	1923358	2	NUT, Hex, Lock 1/4-20
38	1917377	2	WASHER, 1/4



42" Mower Housing & Cover Group

Ref. No.	Part No.	Qty.	Description
1	1703159	1	COVER ASSY., Belt, R.H. (1691662)
	71703159	1	COVER ASSY., Belt, R.H. (1691665)
2	1927428	1	SCREW, Taptite, 1/4-20 x 3/8
3	1924856	1	SCREW, Taptite, 5/16 x 1/2
4	1931211	6	NUT, Hex Whizlock, 3/8-16
5	1924356	2	WASHER, 3/8
6	1703127	1	COVER ASSY., Belt, L.H. (1691662)
	71703127	1	COVER ASSY., Belt, L.H. (1691665)
7	1931277	4	NUT, Hex, Whizlock, 5/16-18
8	1925125	2	WASHER, 3/8
9	1703391	1	STUD, Double Hex
10	1960294	8	NUT, Hex, Whizlock, 1/4-20
11	1703728	1	HOUSING ASSY. (1691662)
	71703728	1	HOUSING ASSY. (1691665)
12	1927477	2	SCREW, Taptite, 5/16-18 x 1
13	1931348	4	CARRIAGE BOLT, 3/8-16 x 3/4
14	1656049	1	DEFLECTOR ASSY. (1691662)
	71656049	1	DEFLECTOR ASSY. (1691665)
15	1921959	4	CAPSCREW, Hex, 1/4-20 x 5/8
16	1921319	4	WASHER, 1/4
17	1608331	2	CLIP, Baffle
18	1608135	1	BAFFLE
19	1656147	3	BLADE
20	1960252	4	CARRIAGE BOLT, 1/4-20 x 5/8
21	1665709	1	BAFFLE, Discharge
22	108186	2	CLIP, Baffle
23	1960223	1	CARRIAGE BOLT, 5/16 x 1-1/4
24	1665562	1	GUARD, Mower Discharge
25	1919381	1	WASHER, 5/16
26	1931333	1	CARRIAGE BOLT, 5/16-18 X 3/4
27	1924940	2	WASHER, 3/8

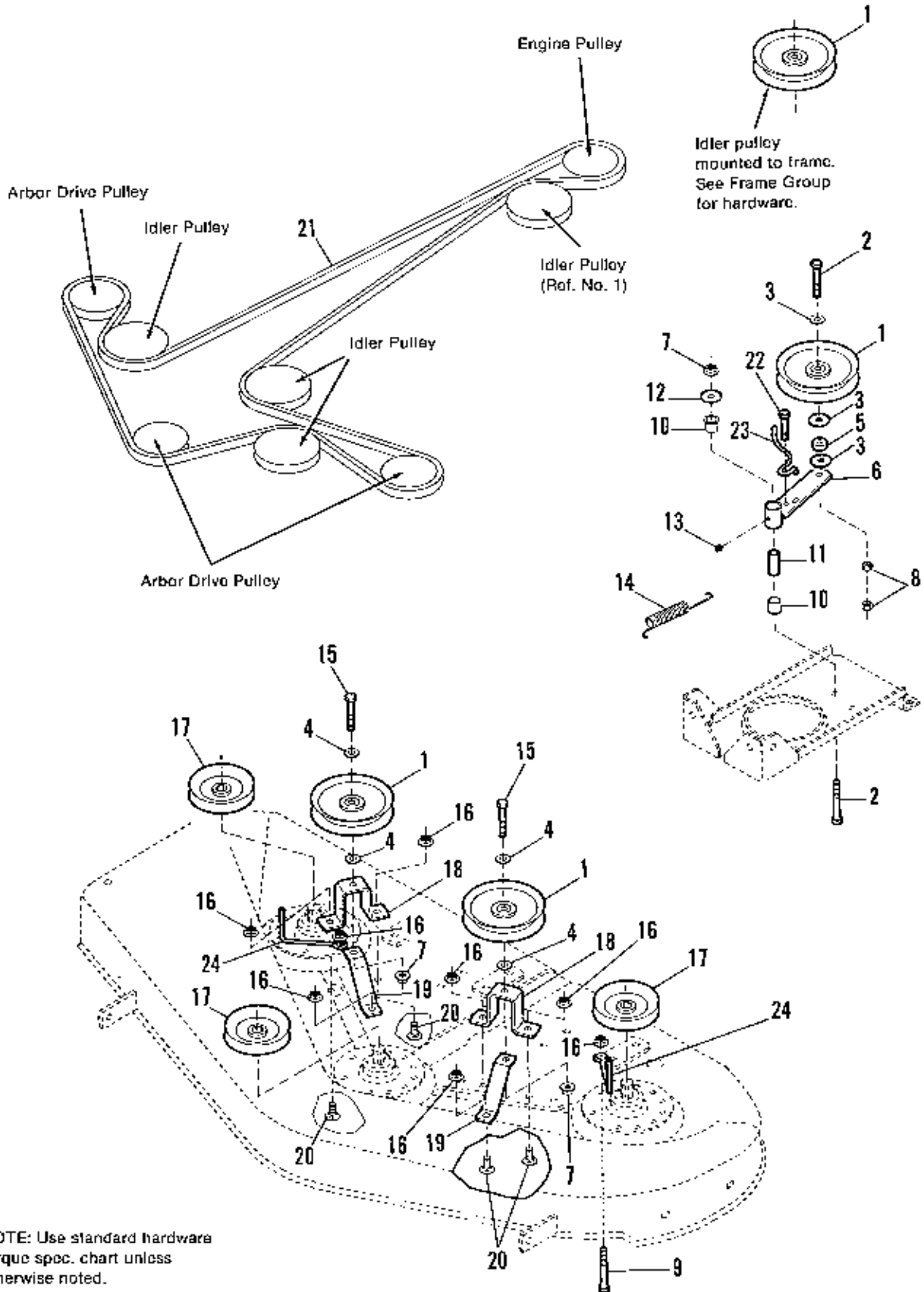


NOTE: Use standard hardware torque spec. chart unless otherwise noted.

42" Mower Support Group

Ref. No.	Part No.	Qty.	Description
1	1705039	1	MOWER ARM ASSY. (1691662)
	71705039	1	MOWER ARM ASSY. (1691665)
2	174215	2	PIN, Hitch
3	1918196	2	PIN, Hair Pin
4	1931211	4	NUT, Hex Whizlock, 3/8-16
5	1935041	2	NUT, Whizlock, 7/16-14
6	1703028	1	SUPPORT ASSY.
7	1931277	2	NUT, Hex Whizlock, 5/16-18
8	1931333	2	CARRIAGE BOLT, 5/16-18 x 3/4
9	1960043	2	CAPSCREW, Whizlock, 7/16-14 x 1
10	1703724	1	ROCKER ARM ASSY.
11	1703763	2	BEARING, Block
12	1930644	3	NUT, Centerlock, 1/2-13
13	176440	4	BUSHING
14	1704458	1	AXLE ASSY., Mower (Incl. Ref. Nos. 11 & 22)
15	1702559	2	YOKE ASSY.
16	1960286	2	CAPSCREW, Hex, 1/2-13 x 3-1/2
17	1678304	2	SPACER
18	1702483	2	WHEEL
19	1960379	2	NUT, Esna Lock, 1/2-13 (Thin)
20	921133	2	FITTING, Grease, 1/4
21	1671737	2	BUSHING
22	1960365	2	SCREW, Self-Tapping
23	172622	2	BOLT, Shoulder, 3/8-16 x 1-11/32
24	1921969	2	CAPSCREW, Hex, 3/8-16 x 1-1/2
25	1922755	2	WASHER, 3/8
26	1703115	2	SPACER
27	1924366	2	WASHER, Plain
28	1960020	2	WASHER, Plain
29	1960027	2	WASHER, Plain

A-11905

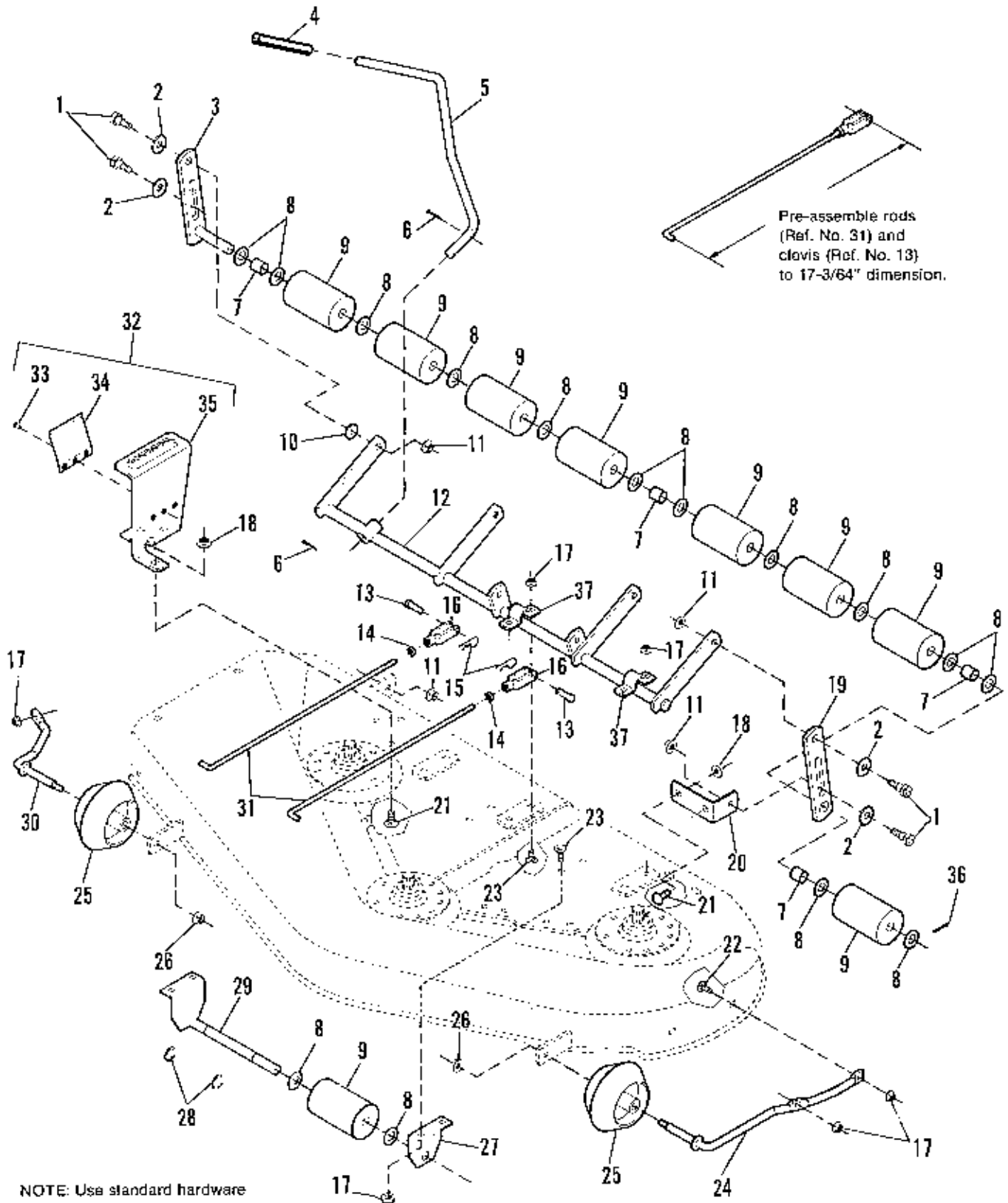


NOTE: Use standard hardware torque spec. chart unless otherwise noted.

Mfg. No. 1691662, 1691665

42" Mower Drive Group

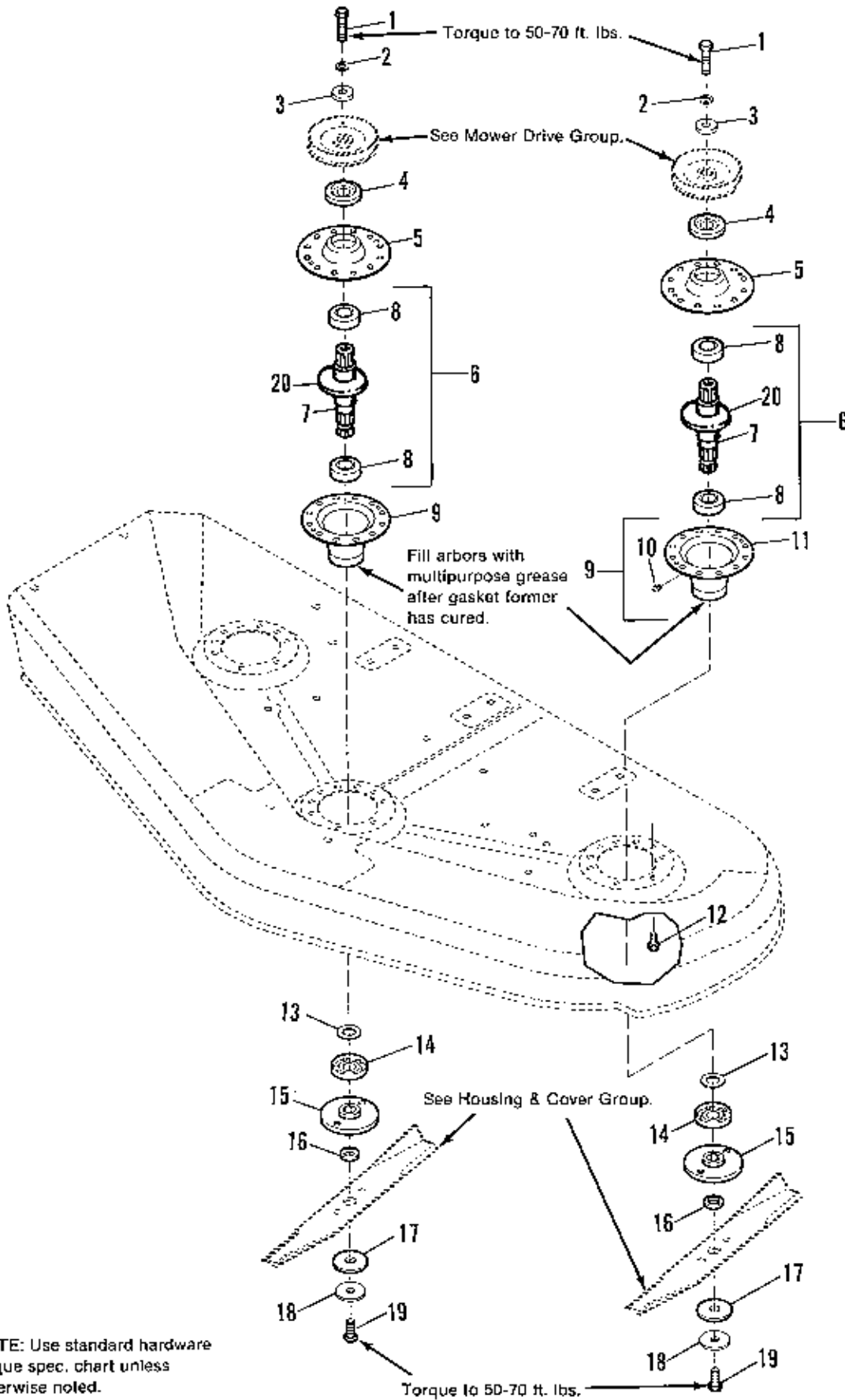
Ref. No.	Part No.	Qty.	Description
-------------	-------------	------	-------------



NOTE: Use standard hardware torque spec. chart unless otherwise noted.

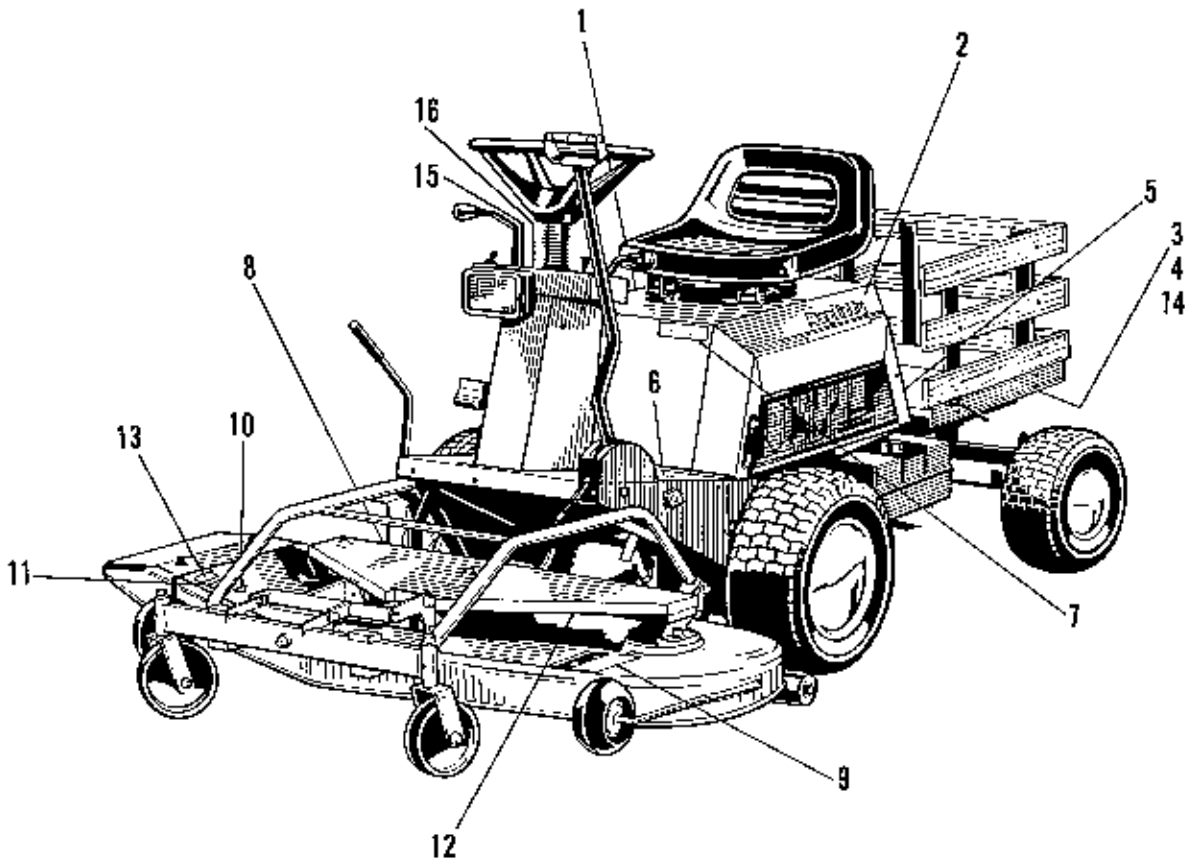
42" Height Adjusting & Roller Group

Ref. No.	Part No.	Qty.	Description
1	1665693	4	BOLT, Shoulder, 3/8-16
2	1924361	4	WASHER, 1/2
3	1703040	1	SHAFT ASSY., Roller
4	176933	1	GRIP
5	1703532	1	LEVER, Control
6	1918452	2	PIN, Cotter
7	1602946	4	SPACER
8	1960020	15	WASHER, 5/8
9	1668513	9	ROLLER
10	1922755	1	WASHER, 3/8
11	1928352	4	NUT, Whizlock, 3/8-16
12	1704870	1	ARM ASSY., Mower
13	1923087	2	PIN, Clevis
14	1916950	2	NUT, Hex, 3/8-16
15	1918196	2	PIN, Quick
16	108157	2	CLEVIS, Adjusting
17	1931277	11	NUT, Hex Whizlock, 5/16-18
18	1931211	5	NUT, Hex Whizlock, 3/8-16
19	1603263	1	BAR, Roller
20	1603264	1	BRACKET, Roller Support
21	1931348	5	CARRIAGE BOLT, 3/8-16 x 3/4
22	1931332	6	CARRIAGE BOLT, 5/16-18 x 5/8
23	1931333	8	CARRIAGE BOLT, 5/16-18 x 3/4
24	1703206	1	ROD ASSY., Roller, L.H.
25	1700184	2	WHEEL
26	1919439	2	NUT, Hex, Esna Lock 3/8-16
27	1603269	1	BRACKET
28	927793	2	RING, Retaining
29	1703480	1	SHAFT ASSY.
30	1703204	1	ROD ASSY., Roller, R.H.
31	1703149	2	ROD, Adjusting
32	1703034	1	QUADRANT ASSY. (Incl. Ref. Nos. 33 - 35)
33	910542	3	RIVET
34	1663222	1	SPRING
35		1	QUADRANT (See Ref. No. 32)
36	1918458	1	PIN, Cotter
37	1665374	2	STRAP



42" Arbor Group

Ref. No.	Part No.	Qty.	Description
1	1936723	3	CAPSCREW, Hex, 7/16-14 x 1-3/4
2	1918199	3	LOCKWASHER, 7/16
3	1933263	3	WASHER, 7/16
4	1657969	3	SHIELD, Bearing, Upper
5	1655729	3	HOUSING, Top
6	1663336	3	SHAFT & BEARING ASSY., (Incl. Ref. Nos. 7 & 8)
7	1673594	3	SHAFT, Arbor
8	108202	6	BEARING ASSY.
9	1703273	3	HOUSING ASSY., Arbor Bottom (Incl. Ref. Nos. 10-11)
10	1704314	3	FITTING, Grease
11		3	HOUSING, Bottom (See Ref. No. 9)
12	1664847	14	SCREW, Tapite, 5/16-18 x 3/4
13	1664241	3	WASHER, Shim
14	1700229	3	SHIELD, Grass
15	1622777	3	ADAPTOR, Blade
16	1672132	3	COLLAR, Mower Arbor
17	1656927	3	WASHER, Spline
18	1656916	3	WASHER, Spring
19	1923491	3	CAPSCREW, Hex, 7/16-14 x 1
20	1707335	3	GASKET, Foam



SAFETY DECALS

WARNING

- DO NOT STOP OR START SUDDENLY WHEN OPERATING UPHILL OR DOWNHILL
- MOW UP AND DOWN THE FACT OF STEEP SLOPES. NEVER ACROSS THE FACE
- SELECT SLOW GROUND SPEED BEFORE DRIVING INTO A SLOPE
- NEVER OPERATE ON SLOPES SAFETYER THAN 16° WHICH IS A RISE OF 2 FEET (0.6 METERS) VERTICALLY IN 10 FEET (3.0 METERS) HORIZONTALLY

Ref. No. 4

CAUTION

MOWER LIFT

TO AVOID POSSIBLE INJURY

- READ OPERATOR'S MANUAL
- KNOW THE COMMAND FUNCTION OF ALL CONTROLS
- KEEP SAFETY DEVICES (GUARDS, SAFES AND STOP) IN PLACE AND WORKING
- NEVER OPERATE THE MOWER WITHOUT THE SAFETY DEVICES
- DO NOT REAR END OTHERS AND NEVER USE CHILDREN
- ALWAYS WEAR YOUR SEATBELT
- DO NOT REAR END OTHERS AND NEVER USE CHILDREN
- ALWAYS WEAR YOUR SEATBELT
- ALWAYS WEAR YOUR SEATBELT
- ALWAYS WEAR YOUR SEATBELT
- ALWAYS WEAR YOUR SEATBELT
- ALWAYS WEAR YOUR SEATBELT

IGNITION SWITCH

CLUTCH & BRAKE

Ref. No. 6

DANGER

ROTATING CUTTING BLADE
DO NOT PUT HANDS
OR FEET UNDER
MOWER DECK WHILE
BLADE IS ROTATING

Ref. No. 9

DANGER

ROTATING CUTTING BLADE
DO NOT OPERATE MOWER
WITHOUT DEFLECTOR
OR ENTIRE GRASS
CATCHER IN PLACE.

Ref. No. 11

NO RIDERS

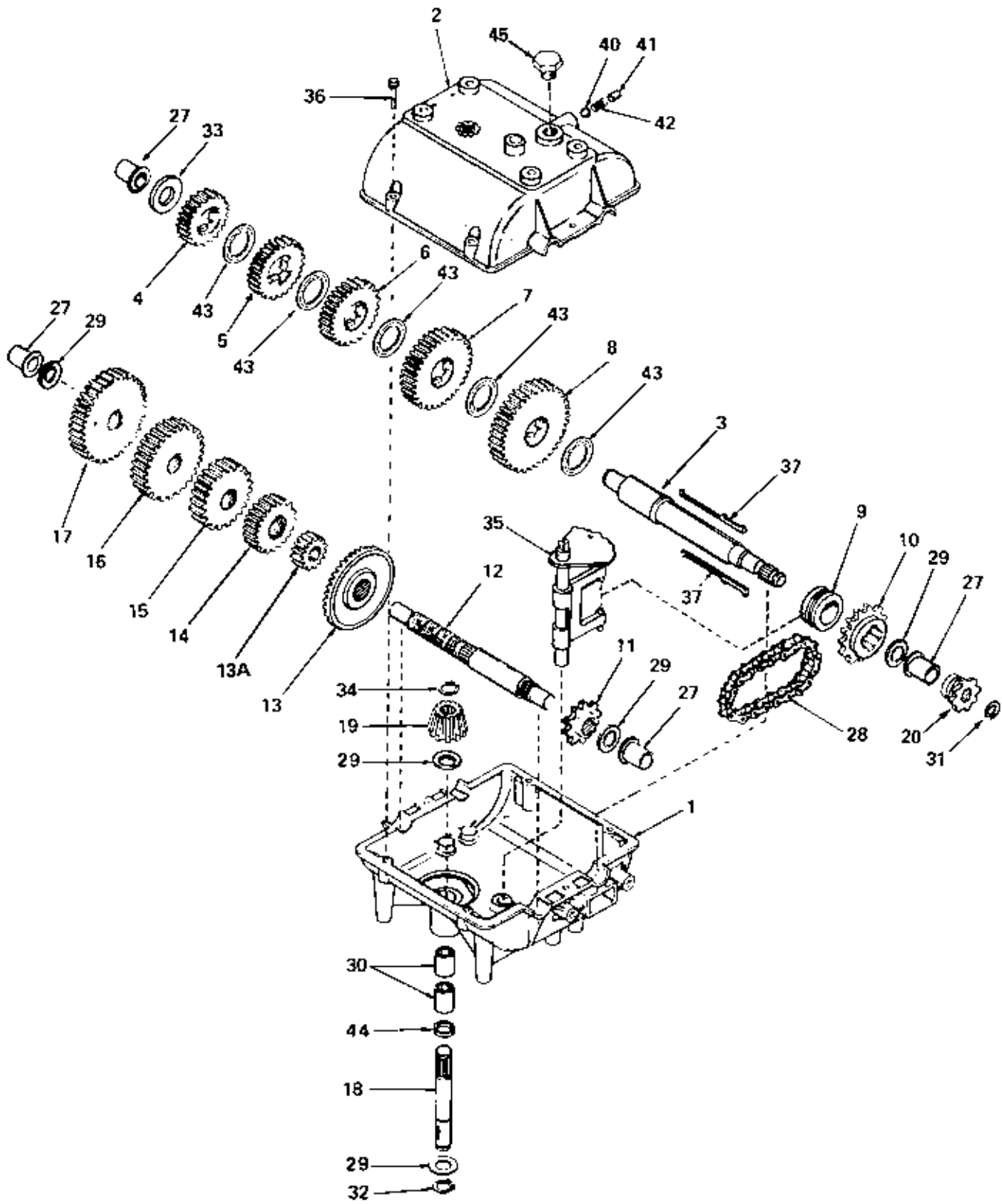
Not Shown

Decal Group

Ref. No.	Part No.	Qty.	Description
1	1704181	1	DECAL, Side, R.H., 12 (Simplicity)
	1705018	1	DECAL, Side, R.H., 12 (Deutz)
2	1704182	1	DECAL, Side, L.H., 12, (Simplicity)
	1705017	1	DECAL, Side, R.H., 12 (Deutz)
3	1704184	1	DECAL, Drive Belts (Simplicity)
	1704189	1	DECAL, Drive Belts (Deutz)
4	1704480	1	DECAL, Stability
5		1	TRACTOR I.D. PLATE (Not Serviced)
6	1704183	1	DECAL, Caution & Controls (12 HP)
7	1704186	1	DECAL, 12 FC
8		1	MOWER I.D. PLATE (Not Serviced)
9	1704276	1	DECAL, Danger
10		1	DECAL, OPEI (not Serviced)
11	1704277	1	DECAL, Danger
12	1709070	1	DECAL, Belt Layout (Under Cover)(Simplicity)
	1704325	1	DECAL, Belt Layout (Under Cover)(Deutz)
13	1704383	1	DECAL, 42"
14	1704482	1	DECAL, Paint
15	1703995	1	DECAL, Instrument Panel
16	1704807	1	DECAL, Oil Light (Simplicity)
	1703996	1	DECAL, Oil Light (Deutz)
	Not Shown		
	1700805	1	DECAL, "No Riders" (Located on back upper right hand corner of seat deck.)
	1703996	1	DECAL, "Oil" indicator light

Touch-up Paint

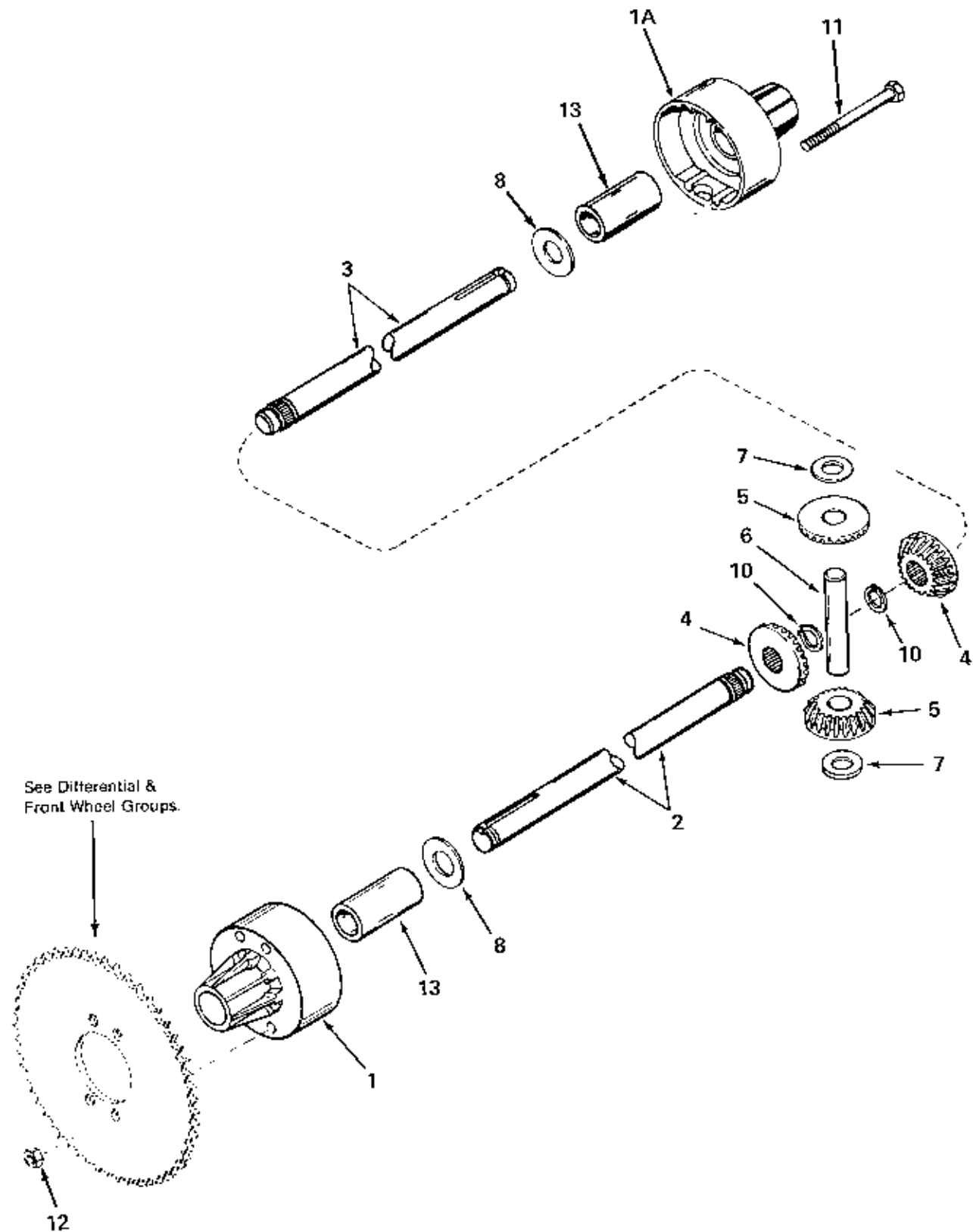
Paint Color	Spray Cans	Quarts	Case of 12 Spray Cans	Touch-up Daubers 12/Cartron
Deep Orange	1685611	1685612	1685614	1685616
White	103049	1685032	16851782	1685550
Textured Black	1685610	1685617	1685618	Not Avail.



Peerless Transmission Model 700-018

Ref. No.	Part No.	Qty.	Description
1	770061	1	CASE, Transmission
2	772083	1	COVER, Transmission
3	776232	1	SHAFT, Output
4	778121A	1	GEAR, Spur (20 teeth)
5	778122A	1	GEAR, Spur (22 teeth)
6	778123A	1	GEAR, Spur (25 teeth)
7	778124A	1	GEAR, Spur (30 teeth)
8	778125	1	GEAR, Spur (35 teeth)
9	784266	1	COLLAR, Shift
10	786083	1	SPROCKET, (18 teeth)
11	786082	1	SPROCKET, (9 teeth)
12	776134	1	SHAFT, Counter
13	778137A	1	GEAR, Bevel (42 teeth)
13A	778136	1	GEAR, Spur (15 teeth)
14	778126A	1	GEAR, Spur (20 teeth)
15	778127A	1	GEAR, Spur (25 teeth)
16	778128A	1	GEAR, Spur (28 teeth)
17	778129A	1	GEAR, Spur (30 teeth)
18	776199	1	SHAFT, Input
19	778113A	1	BEVEL PINION, Input
20	786047	1	SPROCKET (8 teeth)
27	780105A	4	BUSHING, Flanged
28	786081	1	CHAIN, Roller (No. 41 chain, 24 links)
29	780072	5	WASHER, Thrust
30	780086	2	BEARING, Needle
31	792072	1	RING, Retaining
32	792035	1	RING, Retaining
33	780109	1	WASHER
34	788040	1	RING, Retaining
35	784267	1	ROD & FORK ASSY., Shift
36	792073	4	SCREW, Flanged Hex Hd., Thread Forming, 1/4-20 x 1-1/4
37	792089A	2	KEY
40	792077	1	BALL, Steel, 5/16"
41	792078	1	SCREW, Set, 3/8-16 x 3/8
42	792079	1	SPRING
43	780108	5	WASHER, Thrust
44	792001	1	"O" RING
45	792074	1	PLUG

NOTE: Above listed parts must be ordered from your local Tecumseh/Peerless distributor. Service, warranty and parts for Peerless products are not handled by Simplicity.






Ref. No.	Part No.	Qty.	Description
1	774857	1	HOUSING, Differential Carrier (Incl. Ref. No. 13)
1A	774858	1	HOUSING, Differential Carrier (Incl. Ref. No. 13)
2	774704	1	AXLE (8-63/64" Long)
3	774705	1	AXLE (22-9/64" Long)
4	778221	2	GEAR, Bevel
5	778068	2	GEAR, Pinion
6	788093	1	PIN, Drive
7	780096	2	WASHER, Thrust
8	780001	2	WASHER
10	792125	4	RING, Snap (Pkg. of 2)
11	792044	4	SCREW, Flanged Hex Hd., 5/16-18 x 3-15/16
12	792042	4	NUT, Lock, 5/16-18
13	780077	2	BUSHING

SPROCKET CHART

Part No.	No. of Teeth	O.D.
786041A	45	7.389
786042	40	6.650
786043	54	8.823
786051	60	9.841
786070	48	7.920

NOTE: Above listed parts must be ordered from your local Tecumseh/Peerless distributor. Service, warranty and parts for Peerless products are not handled by Simplicity.

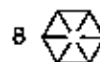
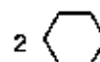
**TORQUE SPECIFICATIONS FOR
STANDARD MACHINE HARDWARE
TOLERANCE ±20%**

SIZE	SAE GRADE #2 		SAE GRADE #5 		SAE GRADE #8 	
	<u>In./Lbs.</u> Ft./Lbs.	Nm.	<u>In./Lbs.</u> Ft./Lbs.	Nm.	<u>In./Lbs.</u> Ft./Lbs.	Nm.
8-32	19	2.1	30	3.4	41	4.6
8-36	20	2.3	31	3.5	43	4.9
10-24	27	3.1	43	4.9	60	6.8
10-32	31	3.5	49	5.5	68	7.7
1/4-20	66	7.6	8	10.9	12	16.3
1/4-28	76	8.6	10	13.6	14	19.
5/16-18	11	15.	17	23.1	25	34.
5/16-24	12	16.3	19	25.8	25	34.
3/8-16	20	27.2	30	40.8	45	61.2
3/8-24	23	31.3	35	47.6	50	68.
7/16-14	30	40.8	50	68.	70	95.2
7/16-20	35	47.6	55	74.8	80	108.8
1/2-13	50	68.	75	102.	110	149.6
1/2-20	55	74.8	90	122.4	120	163.2
9/16-12	65	88.4	110	149.6	150	204.
9/16-18	75	102.	120	163.2	170	231.2
5/8-11	90	122.4	150	204.	220	299.2
5/8-18	100	136.	180	244.8	240	326.4
3/4-10	160	217.6	260	353.6	386	525.
3/4-16	180	244.8	300	408.	420	571.2
7/8-9	140	190.4	400	544.	600	816.
7/8-14	155	210.8	440	598.4	660	897.6
1-8	220	299.2	580	788.8	900	1,224.
1-12	240	326.4	640	870.4	1,000	1,360.

NOTE:

- These torque values are to be used for all hardware excluding: locknuts, self-tapping screws, thread forming screws, sheet metal screws and socket head setscrews.
- Recommended seating torque values for locknuts:
 - For prevailing torque locknuts - use 65% of grade 5 torques.
 - For flange whizlock nuts (and screws) - use 135% of grade 5 torques.
- Unless otherwise noted on assembly drawings all torque values must meet this specification.

**BOLT HEAD MARKING
S.A.E. GRADE:**



SIMPLICITY MANUFACTURING, INC.
500 N. Spring St., P.O. Box 997
Port Washington, WI USA 53074-0997

TP-1153-01
PRINTED IN U.S.A.
6/93 CCI