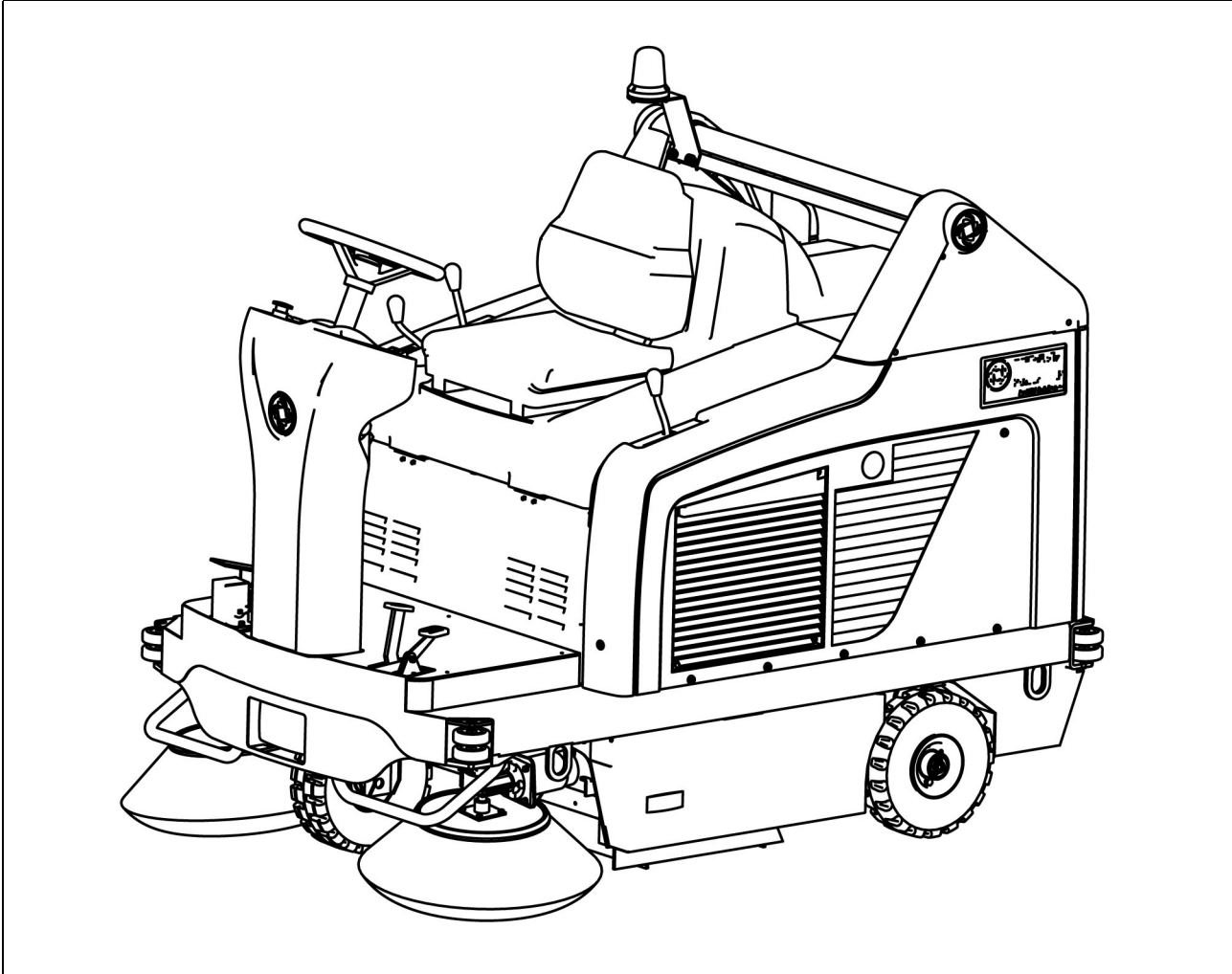
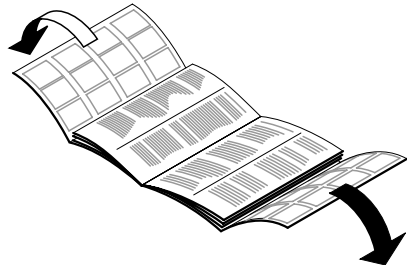
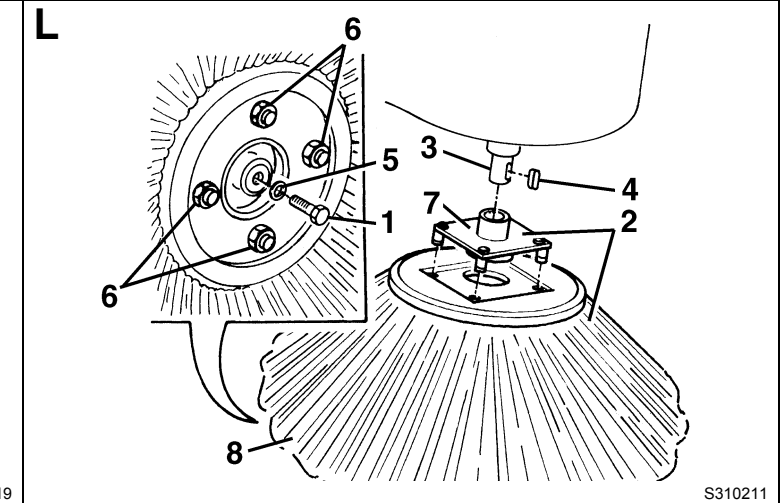
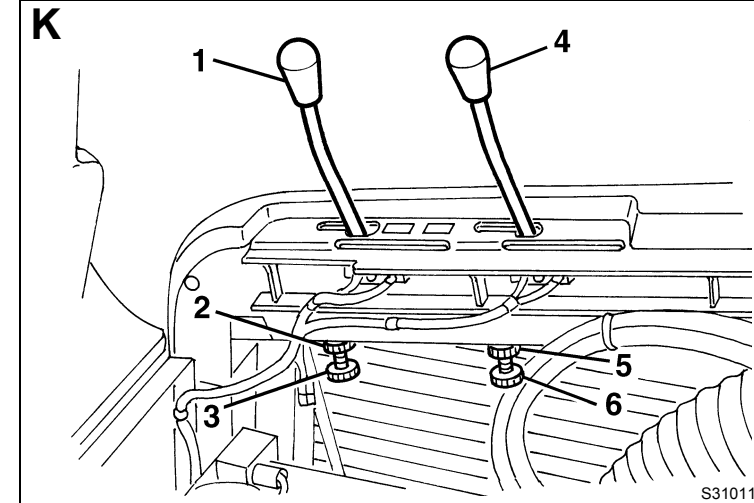
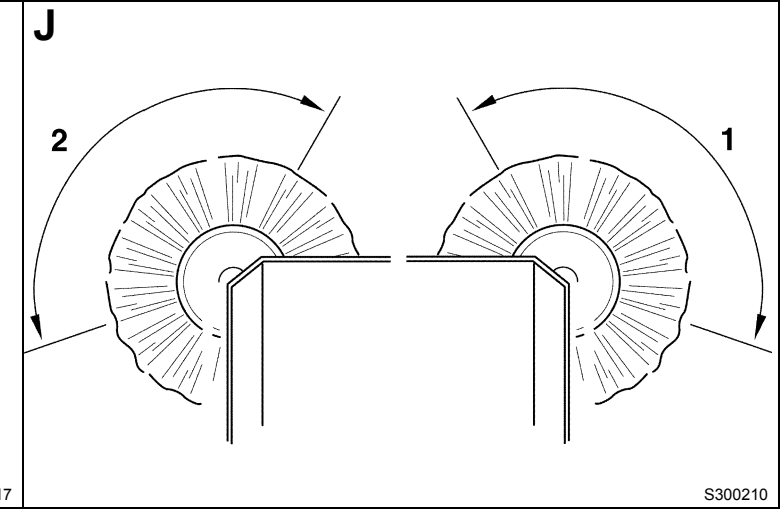
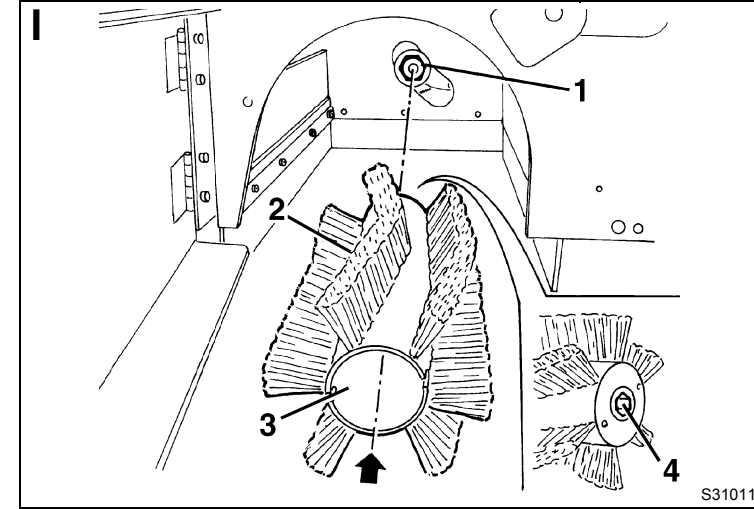
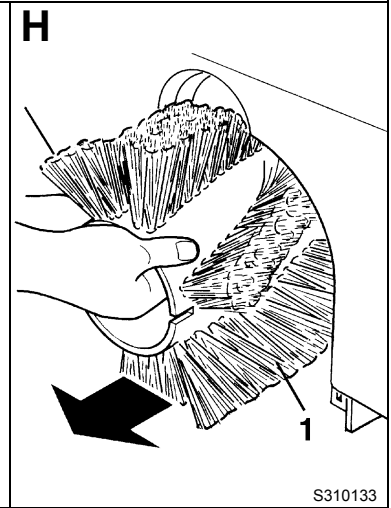
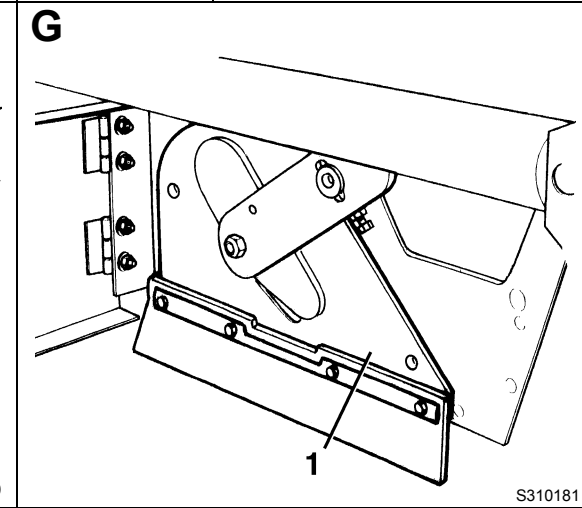
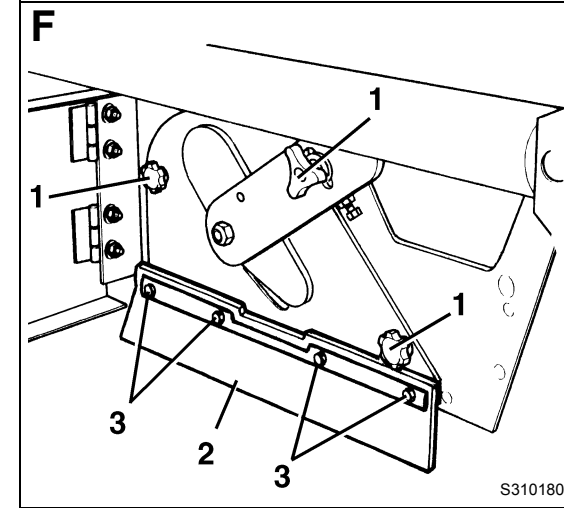
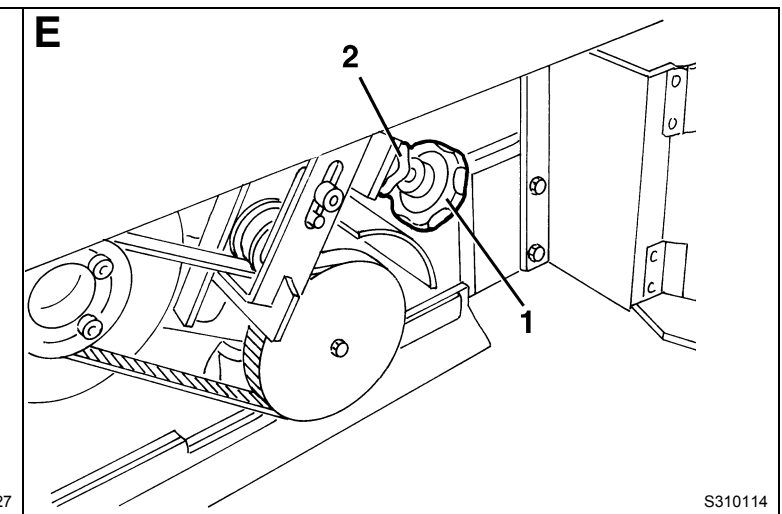
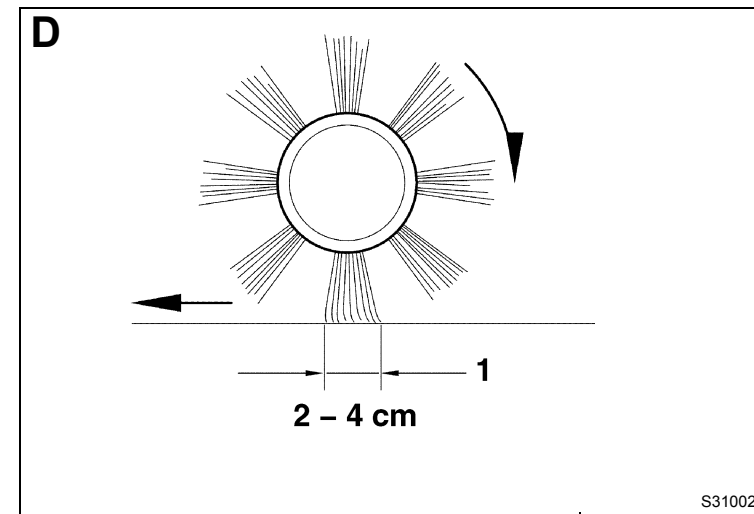
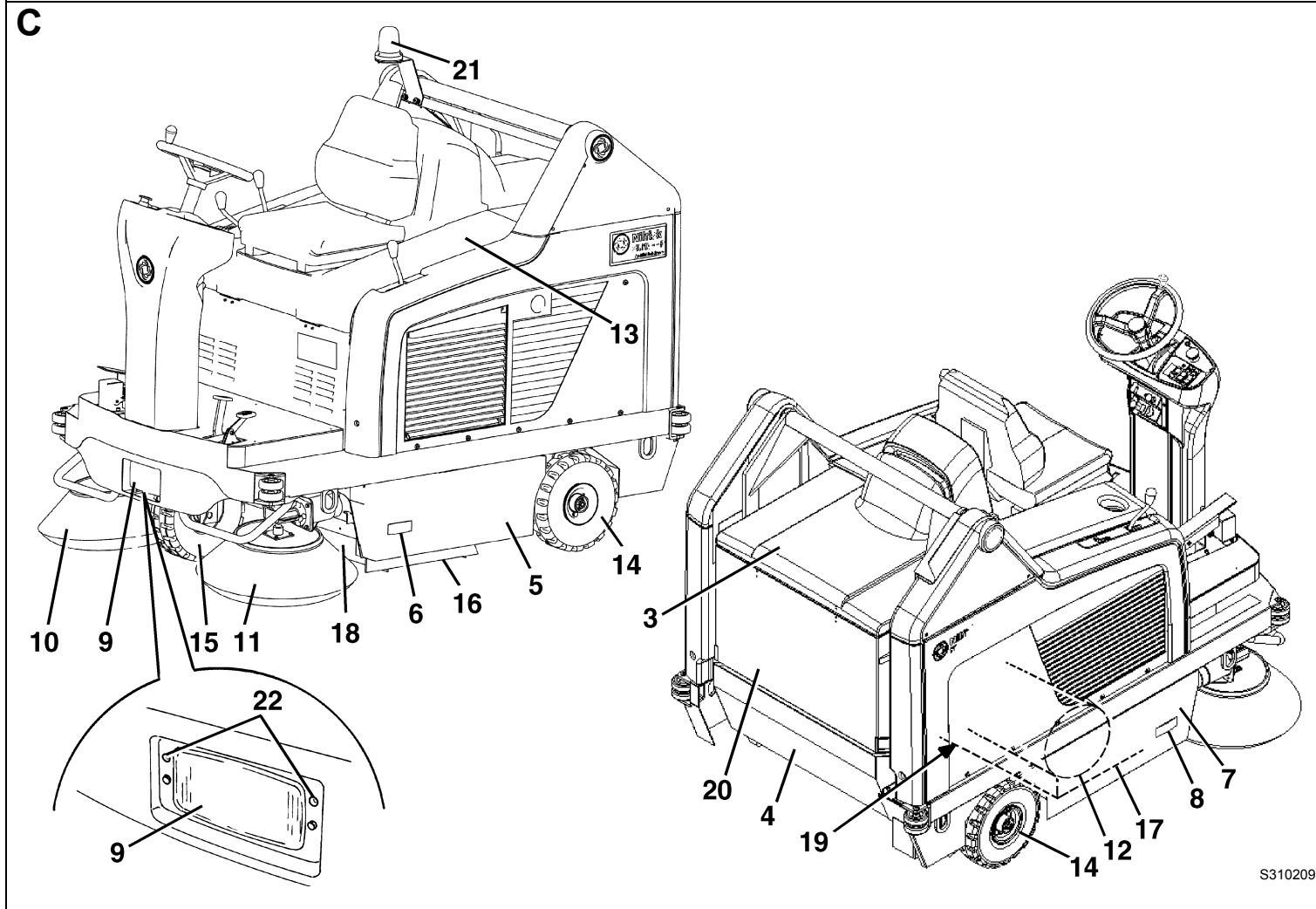
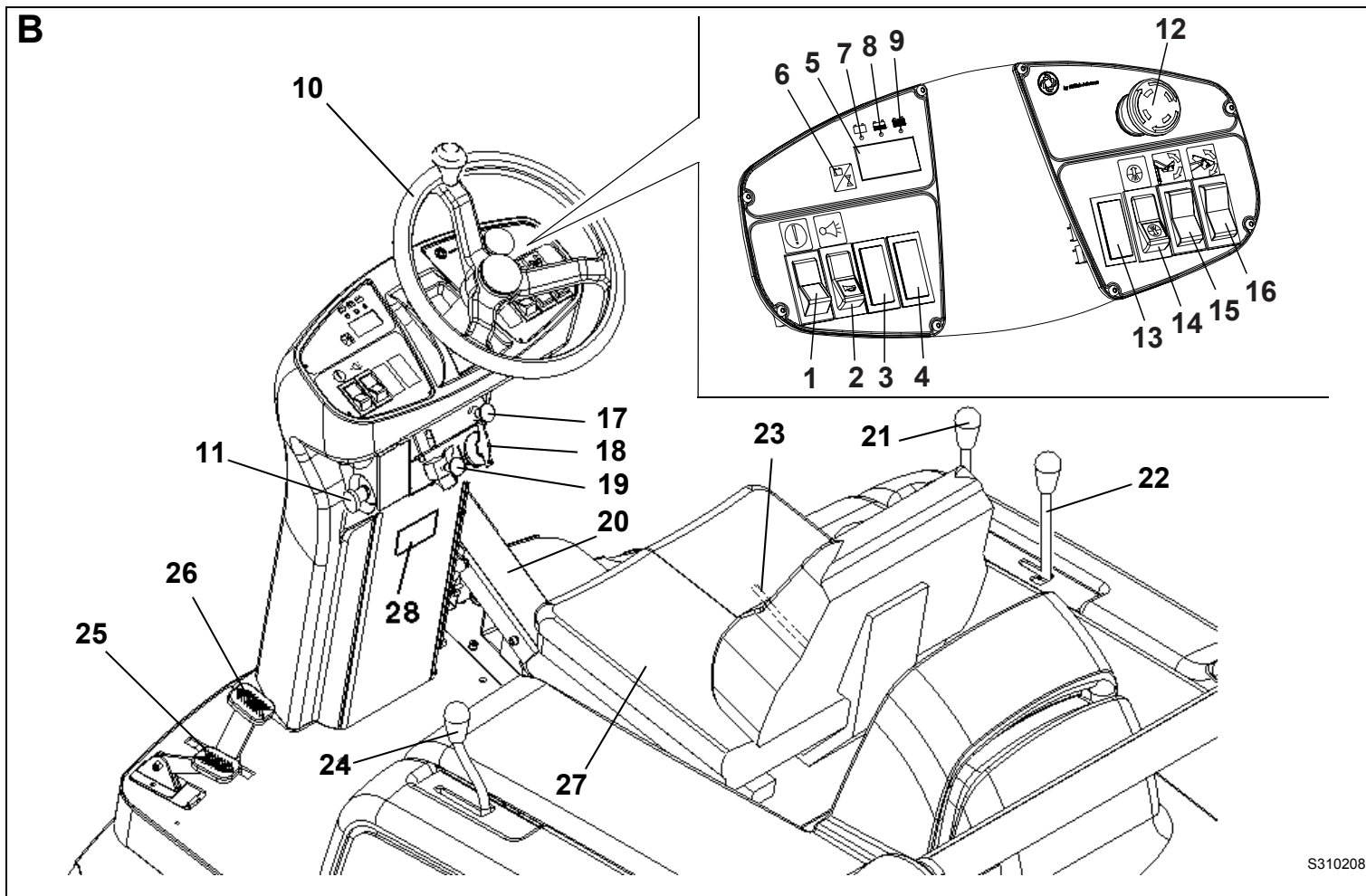


Terra™ 5200B



INSTRUCTIONS FOR USE Advance model: 908 4508 010	<input type="button" value="ENGLISH"/>	
INSTRUCCIONES DE USO Modelo Advance: 908 4508 010	<input type="button" value="ESPAÑOL"/>	
MODE D'EMPLOI ET D'ENTRETIEN Modèle Advance: 908 4508 010	<input type="button" value="FRANÇAIS"/>	
INSTRUÇÕES DE USO Modelo Advance: 908 4508 010	<input type="button" value="PORTUGUÊS"/>	

146 1996 000(2)2004-08



INTRODUCTION	2
MANUAL PURPOSE AND CONTENTS	2
TARGET	2
HOW TO KEEP THIS MANUAL	2
IDENTIFICATION DATA	2
OTHER REFERENCE MANUALS	2
SPARE PARTS AND MAINTENANCE	2
CHANGES AND IMPROVEMENTS	2
SAFETY	2
SYMBOLS	2
GENERAL INSTRUCTIONS	3
UNPACKING	3
MACHINE DESCRIPTION	4
TERRA™ 5200B SWEEPER OPERATION	4
CONVENTIONS	4
DESCRIPTION	4
TECHNICAL DATA	5
FUSES	6
ACCESSORIES/OPTIONS	6
USE	6
BATTERY CHECK/SETTING ON A NEW MACHINE	6
BATTERY INSTALLATION AND WET OR GEL BATTERY SETTING	7
BEFORE MACHINE START-UP	7
STARTING AND STOPPING THE MACHINE	8
MACHINE OPERATION	8
HOPPER DUMPING	9
AFTER USING THE MACHINE	9
WORKING LIGHT ADJUSTMENT	9
MACHINE LONG INACTIVITY	9
FIRST PERIOD OF USE	9
MAINTENANCE	10
SCHEDULED MAINTENANCE TABLE	10
MAIN BROOM HEIGHT CHECK AND ADJUSTMENT	11
MAIN BROOM REPLACEMENT	11
SIDE BROOM HEIGHT CHECK AND ADJUSTMENT	12
SIDE BROOM REPLACEMENT	12
FRAME DUST FILTER CLEANING AND INTEGRITY CHECK	13
POCKET DUST FILTER CLEANING AND INTEGRITY CHECK	13
SKIRT HEIGHT AND OPERATION CHECK	14
HOPPER LIFTING SYSTEM HYDRAULIC OIL LEVEL CHECK	14
BATTERY CHARGING	14
SAFETY FUNCTIONS	15
RUNNING CONSENT SWITCH	15
EMERGENCY PUSH-BUTTON	15
HOPPER LIFTING/LOWERING CONSENT PUSH-BUTTON	15
HOPPER LIFTING CYLINDER SAFETY DEVICE VALVE	15
TROUBLESHOOTING	15
SCRAPPING	16

INTRODUCTION

MANUAL PURPOSE AND CONTENTS

The purpose of this manual is to provide the Customer with all necessary information to use the machine properly in a safe and autonomous way. This includes information about technical characteristics, operation, machine inactivity, maintenance, spare parts and safety conditions. Before carrying out any procedure on the machine, the Operators and qualified Technicians must read this manual carefully. Contact the Manufacturer in case of doubts regarding the interpretation of the instructions and for any further information.

TARGET

This manual is intended for the Operator and the Technicians qualified for the machine maintenance. The Operators must not carry out operations reserved for qualified Technicians. The Manufacturer will not be answerable for damages coming from the non-observance of this prohibition.

HOW TO KEEP THIS MANUAL

The Instructions for Use must be kept near the machine, inside an adequate case, far from liquids and other substances that can cause damage to it.

IDENTIFICATION DATA

The machine model and serial number can be found on a plate (28, Fig. B) affixed to the machine steering column and readable from outside. The machine production year is shown after the date Code on the serial plate (A04 means January 2004).

This information is useful when requiring machine replacement parts. Use the following table to write down the machine identification data for any further reference.

MACHINE model
MACHINE serial number

OTHER REFERENCE MANUALS

- Spare Parts List (supplied with the machine).
- Service Manual (that can be consulted at any Nilfisk-Advance Service Center).

SPARE PARTS AND MAINTENANCE

All necessary operating, maintenance and repair procedures must be carried out by qualified personnel or by Nilfisk-Advance Service Centers. Only original spare parts and accessories must be used.

Call Nilfisk-Advance for service or to order spare parts and accessories, specifying the machine model and serial number.

CHANGES AND IMPROVEMENTS

Our Company constantly improves its products and reserves the right to make changes and improvements at its discretion without being obliged to apply such benefits to the machines that were sold previously.

Any modifications and/or addition of accessory must be approved and performed by the Manufacturer.

SAFETY

The following symbols indicate potentially dangerous situations. Always read this information carefully and take the necessary precautions to protect people and objects. The machine Operator's cooperation is essential in order to prevent injury. No accident prevention program is effective without the total cooperation of the person responsible for the machine operation. Most of the accidents that may occur in a factory, while working or moving around, are caused by failure to comply with the simplest rules for exercising prudence. A careful and prudent Operator is the best guarantee against accidents and is essential for successful completion of any prevention program.

SYMBOLS



DANGER!

It indicates a dangerous situation (risk of death) for the Operator.



WARNING!

It indicates a potential risk of injury for people.



CAUTION!

It indicates a caution or a remark related to important or useful functions. Pay particular attention to the paragraphs marked by this symbol.



CONSULTATION

Consult the Instructions for Use before performing any operation.

GENERAL INSTRUCTIONS

Specific warnings and cautions to inform about potential damages to people and machine are shown below.



DANGER!

- To perform maintenance/repair procedures turn the machine ignition key to OFF position and disconnect the battery.
- This machine must be used by qualified and authorized personnel only. Children or disabled people cannot use this machine.
- Keep the battery far from sparks, flames and smoke. During the normal operation explosive gases are delivered.
- Do not wear jewelry when working near electrical components.
- Do not work under the lifted machine, if it is not securely fixed.
- Each time you work under the open hood, ensure that the hood cannot close by accident.
- Do not operate the machine near dangerous, inflammable and/or explosive powders, liquids or vapors.
- Battery charging produces explosive hydrogen gas. Keep the hood open during battery charging and perform this operation only in well-ventilated areas and far from naked flames.
- Always protect the machine against the sun, rain and bad weather, both under operation or inactivity condition.
- The machine cannot be used for towing or pushing objects and/or loads. Do not use the machine as a means of transport; the machine maximum capacity is 242.5 lb (110 kg), besides the weight of the operator.
- Do not allow the brooms to operate while the machine is stationary to avoid damaging the floor.
- In case of fire, use a powder extinguisher. Do not use water.
- Do not bump into shelves or scaffoldings, in particular where there is a risk of falling objects.
- Adjust the operation speed to suit the floor conditions.
- This machine cannot be used on public roads.
- Do not tamper with the machine safety guards; follow the routine maintenance instructions scrupulously.
- Do not remove or modify the plates affixed on the machine.
- In case of machine malfunctions ensure that these are not caused by a lack of maintenance. Otherwise, request assistance from the authorized personnel or the Service Center.
- If parts must be replaced, require ORIGINAL spare parts from a Dealer or Authorized Retailer.
- To ensure the machine proper operation and safety conditions, the authorized personnel or the Service Center must carry out the scheduled maintenance detailed in the related chapter of this manual.
- The machine must be disposed of properly, because of the presence of toxic-harmful materials (batteries, oils, plastics etc.), which are subject to standards that require disposal in special centers (see the Scrapping chapter).
- If the machine is used according to the instructions, the vibrations do not cause dangerous situations. The machine vibration level is under 2.7 yd/s^2 (2.5 m/s^2) (EN 1032-96/A1-98).
- Do not tilt the machine more than 30° from its horizontal position, or the highly corrosive acid could leak out of the batteries. When it is necessary to tilt the machine for maintenance, remove the batteries.



WARNING!

- Carefully read all the instructions before performing any maintenance/repair procedure.
- Take all necessary precautions to prevent hair, jewelry and loose clothes from being caught by the machine moving parts.
- Do not smoke during battery charging.
- Do not leave the machine unattended with the ignition key inserted and the parking brake disengaged.
- Do not use the machine on surfaces with a gradient greater than the one indicated on the machine.
- Do not wash the machine with direct or pressurized water jets or corrosive substances. Do not use compressed air to clean this type of machine except for filters (see related paragraph).
- While using this machine, take care not to cause damage to people and children especially.
- Do not put any can containing liquids on the machine.
- The storage temperature must be between $+32^\circ\text{F}$ and $+104^\circ\text{F}$ (0°C and $+40^\circ\text{C}$).
- The machine must be used at a temperature between $+32^\circ\text{F}$ and $+104^\circ\text{F}$ (0°C and $+40^\circ\text{C}$).
- The humidity range should be between 30% and 95%.

UNPACKING

On delivery, carefully check that the machine and its packing were not damaged during transportation. If the damages are evident, keep the packing and have it checked by the Parcel Service that delivered it. Call the Parcel Service immediately to fill in a request for a compensation for damages.

Please check that the following items have been supplied with the machine:

Technical documents:

- Instructions for Use
- Spare Parts List
- No.1 150 A (FO) main fuse
- Battery connector

MACHINE DESCRIPTION

TERRA™ 5200B SWEEPER OPERATION

The Terra™ 5200B Sweeper is used to sweep dust or light debris on smooth and solid floor, in civil or industrial environment, under safe operation conditions by a qualified Operator.

CONVENTIONS

Forward, backward, front, right, left or rear indications in this manual, are intended with reference to the Operator's position, that is to say on the driver's seat (23, Fig. B).

DESCRIPTION

Control area

(See Fig. B)

1. Hopper lifting/lowering consent push-button
2. Horn push-button
3. Working light push-button (optional)
4. Position for optional push-button (pivoting light)
5. Display
6. Display selection push-button for the following operations, in sequence:
 - Working hours
 - Last digit of the hours - (dot) - minutes
 - Battery voltage (V)
7. Discharged battery warning light (red)
8. Semi-discharged battery warning light (yellow)
9. Charged battery warning light (green)
10. Steering wheel
11. Steering wheel inclination adjusting knob
12. Emergency stop button
13. Position for optional push-button
14. Filter shaker push-button
15. Hopper lifting/lowering push-button
16. Hopper overturning push-button
17. Vacuum activation/deactivation lever
18. Ignition switch
19. Parking brake lock control lever (in combination with position pedal 26)
20. Forward and reverse gear pedal
21. Right broom lifting/lowering lever
22. Left broom lifting/lowering lever
23. Seat longitudinal position adjusting lever
24. Main broom lifting/lowering lever
25. Front skirt lifting pedal
26. Servo brake pedal (parking brake when combined with position lever 19)
27. Driver seat with safety microswitch
28. Serial number plate/technical data

Outside view

(See Fig. C)

3. Dust filter cover
4. Hopper
5. Left opening door
6. Left door lock retainer with screws
7. Right opening door
8. Right door lock retainer
9. Working light (optional)
10. Right side broom
11. Left side broom
12. Main broom
13. Battery compartment hood
14. Rear drive wheels on fixed axle
15. Front wheel, steering
16. Left side skirt
17. Right side skirt
18. Front skirt
19. Rear skirt
20. Dust filter container
21. Pivoting light (always on when the ignition switch is turned to "I" position)
22. Working light aiming adjusting screws

Under-hood compartment

(See Fig. V)

1. Hood (open position)
2. Battery
3. Battery caps
4. Battery connector
5. Main broom motor thermal circuit breaker
6. Right side broom motor thermal circuit breaker
7. Left side broom motor thermal circuit breaker
8. Lamellar fuse box
9. Vacuum/main broom motor
10. Vacuum fan
11. Drive motor
12. Electrical box
13. Drive electronic board
14. Hopper lifting system hydraulic oil tank
15. Battery assembly diagram
16. Hood lock rod
17. Bonnet holder bracket

TECHNICAL DATA

General	Values
Cleaning width (with one side broom)	41.3 in (1,049 mm)
Cleaning width (with two side brooms)	51.6 in (1,310 mm)
Machine length	69.0 in (1,752 mm)
Machine width (with one side broom)	47.5 in (1,206 mm)
Machine width (with two side brooms)	51.6 in (1,310 mm)
Maximum height at the steering wheel	53.2 in (1,351 mm)
Minimum ground clearance (skirts not included)	2.3 in (58.42 mm)
Hopper maximum lifting height	65.0 in (1,651 mm)
Maximum weight liftable by the hopper	242.5 lb (110 kg)
Minimum/maximum dumping height	10.6/54.3 in (270 mm/1,380 mm)
Minimum turning radius	66.5 in (1,690 mm)
Main broom dimensions	Ø 11.8 in x 31.5 in (Ø 300 mm x 800 mm)
Side broom dimensions	Ø 19.7 in (Ø 500 mm)
Maximum forward speed	4.3 mph (7 km/h)
Maximum reverse speed	2.2 mph (3.5 km/h)
Maximum slope	16%
Front axle weight in running conditions	617.3 lb (280 kg)
Rear axle weight in running conditions	948.0 lb (430 kg)
Machine total weight in running conditions	1,565.3 lb (710 kg)
Front steering wheel	4.00 – 4
Rear drive wheels	4.00 – 4
Sound level (A L _{pa})	66.9 dB(A)

Electric motors	Values
Electrical system voltage	24 V
Vacuum/main broom motor	24 V; 1,000 W; 2,800 RPM
Drive motor	24 V; 750 W; 5,000 RPM
Side broom reduction unit	24 V; 90 W; 85 RPM
Filter shaker motor	24 V; 90 W; 5,700 RPM

Batteries	Values
Standard batteries	No. 4 6V lead batteries with acid electrolyte, in serial connection
Optional batteries	No. 1 24V lead battery with acid electrolyte

Optional batteries (wet or gel, available at Nilfisk retailers)	Values
Battery total voltage	24V
Usable battery capacity	330 Ah
Battery container dimensions	12x31.5 in (304x800 mm)
Battery compartment max. size	14.2x31.5x15.0 in (360x800x380 mm)

Dust vacuuming and filtering	Values
5-10 µm paper dust filter	10,850.0 in ² (7 m ²)
Main broom compartment vacuum	0.24 in H ₂ O (6 mm H ₂ O)

Wiring diagram (See Fig. AF)

BE1:	Beacon (OPT)
BZ1:	Buzzer
C1:	Batteries connector
EB1:	Drive electronic board
EB2:	Display board
ES1:	Line electromagnetic switch
ES2:	Main broom electromagnetic switch
ES3:	Pump electromagnetic switch (up)
ES4:	Pump electromagnetic switch (down)
ES5:	Seat electromagnetic switch
F0:	Main fuse (150A)
F1:	Key fuse (15A)
F2:	Hydraulic pump fuse (20A)
F3:	Hopper actuator fuse (10A)
F4:	Filter shaker fuse (15A)
F5:	Service fuse (10A)
F6:	Working light fuse (10A) (OPT)
F7:	Right broom circuit breaker (10A)
F8:	Left broom circuit breaker (10A)
F9:	Main broom circuit breaker (50A)
HN:	Horn
K1:	Ignition switch
L1:	Working light (OPT)
M1:	Drive motor
M2:	Main broom motor
M3:	Hydraulic pump
M4:	Actuator
M5:	Filter shaker motor
M7:	Right broom motor
M8:	Left broom motor
R1:	Drive potentiometer
SW0:	Emergency stop switch
SW1:	Drive forward/reverse mode switch
SW2:	Main broom switch
SW3:	Hopper safety switch
SW4:	Hopper up-down switch
SW5:	Hopper open-close switch
SW7:	Right broom switch
SW8:	Left broom switch
SW9:	Horizontal hopper microswitch
SW10:	Up hopper microswitch
SW11:	Open hopper microswitch
SW12:	Close hopper microswitch
SW13:	Filter shaker microswitch
SW14:	Working light switch (OPT)
SW15:	Horn switch
SW16:	Safety switch

Color codes

BK:	Black
BU:	Blue
BN:	Brown
GN:	Green
GY:	Grey
OG:	Orange
PK:	Pink
RD:	Red
VT:	Violet
WH:	White

Hydraulic diagram

(See Fig. AG)

1. Hydraulic oil tank
2. Hydraulic oil filter
3. Hydraulic pump
4. Motor
5. Safety valve
6. Hopper lifting cylinder

FUSES

Under the hood, outside the electrical box, there are the following fuses:

- **Thermal circuit breakers**, which can be reset by pressing the related key:
 - Main broom motor (5, Fig. V)
 - Right side broom motor (6, Fig. V)
 - Left side broom motor (7, Fig. V)
- **Lamellar fuses**, protected by a transparent plastic lid, protect the indicated circuits:
 - F1 (15 A) (the first starting from above): Ignition switch
 - F2 (20 A): Hydraulic pump
 - F3 (10 A): Hopper actuator
 - F4 (15 A): Filter shaker
 - F5 (10 A): Services
 - F6 (10 A): Working lights (optional)
 - Spare 1 (20 A)
 - Spare 2 (15 A)

Inside the electrical box (12, Fig. V), there is the following fuse:

- F0 (150 A): Main (2, Fig. Z)

ACCESSORIES/OPTIONS

In addition to the standard components, the machine can be equipped with the following accessories/options, according to the machine specific use:

- Main and side brooms with harder and softer bristles;
- Antistatic polyester or polyester BIA C dust filter;
- Pocket filter;
- Pivoting light;
- Working light;
- Non marking skirt;
- Non marking wheels;
- Over head guard.

For further information concerning the optional accessories apply to an Authorized Retailer.

USE



WARNING!

On some points of the machine there are some adhesive plates indicating:

- DANGER
- WARNING
- CAUTION
- CONSULTATION

While reading this manual, the Operator must pay particular attention to these symbols.

Do not cover these plates for any reason, in case of damage replace them immediately.

BATTERY CHECK/SETTING ON A NEW MACHINE

The machine requires one 24 V battery, or four 6 V batteries connected according to the diagram (15, Fig. V).

The machine can be set in one of the following modes:

a) Battery already installed and ready to be used.

1. Open the hood (13, Fig. C) and hold it by using the related rod (16, Fig. V).

Check that the battery is connected to the machine through the appropriate connector (4, Fig. V).

2. Disengage the lock rod and lower the hood, and ensure that it is correctly closed.

3. Insert the ignition key in the switch (18, Fig. B) in the control panel and turn it to "I" position (without activating the pedal 20, Fig. B). If the green warning light (9, Fig. B) turns on, the battery is ready to be used.

If the yellow or red warning lights (8 or 7, Fig. B) turn on, it is necessary to charge the batteries (see the procedure in the Maintenance chapter).

b) Battery installed on the machine but without electrolyte

1. Open the hood (13, Fig. C) and hold it by using the related rod (16, Fig. V).
2. Remove the battery caps (3, Fig. V).



WARNING!

Be extremely careful when working with sulfuric acid, as it is corrosive. If it comes in contact with the skin or the eyes, wash abundantly with water and call a doctor. Batteries have to be filled up in a properly ventilated area. Wear protective gloves.

3. Fill up each battery element with sulfuric acid for batteries (density from 2.80 to 2.84 lb at 77 °F (1.27 to 1.29 Kg at 25°C)) in accordance with the instructions specified in the Battery Instruction Manual.

The correct quantity of sulfuric acid is indicated in the Battery Instruction Manual.

Let the battery rest and fill in with sulfuric acid in accordance with the instructions specified in the Battery Instruction Manual.

4. Charge the battery (see the procedure in the Maintenance chapter).

c) Without batteries

1. Buy appropriate batteries (see the Technical Data paragraph and the installation diagram (15, Fig. V)).

Apply to battery qualified retailers to choose and install the battery.

2. Install and set the machine batteries according to WET or GEL batteries (see the procedure in the following paragraph).
3. Recharge the batteries (see the procedure in the Maintenance chapter).

BATTERY INSTALLATION AND WET OR GEL BATTERY SETTING

Battery installation

1. Install the batteries on the machine according to the diagram (15, Fig. V).

According to the battery dimensions, check if it is possible to put them inside the related plastic container, supplied with the machine.

If the batteries dimensions are larger than the container capacity, use the square guides, supplied with the machine, to ensure the stability inside the battery compartment.



WARNING!

Non-sealed lead/acid batteries always need an appropriate container to prevent the acid form leaking.

Do not install the non-sealed lead/acid batteries without an appropriate container.

WET or GEL battery setting



NOTE

The machine factory setting is for lead (WET) batteries. If this setting corresponds to the type of battery installed on your machine, do not set the batteries.

Otherwise, perform the following operations:

2. It is necessary to set the electronic board of the machine according to the type of batteries installed (WET or GEL). Proceed as follows:
 - Turn the ignition switch (18, Fig. B) to “0” position;
 - Open the hood (13, Fig. C) and hold it by using the related rod (16, Fig. V);
 - Disconnect the battery connector (4, Fig. V);
 - Remove the screws (1, Fig. AD) and carefully pull out the right control panel (2);
 - Install a jumper wire (1, Fig. AE) on the WET connectors (2) for lead batteries or on the GEL connectors (3) for gel batteries;
 - Carefully reassemble the control panel (2, Fig. AD) and fix it by using the related screws (1);
 - Reconnect the battery connector (4, Fig. V);
 - Disengage the lock rod (16, Fig. V) and close the hood (13, Fig. C).

BEFORE MACHINE START-UP

1. Check that there are no open doors/hoods and that the machine is in normal operating conditions.
2. If the machine has not been used after being transported, check that all the blocks used for the transportation have been removed.

STARTING AND STOPPING THE MACHINE

Starting the machine

1. Sit in the driver's seat (27, Fig. B) and, by operating the lever (23) adjust the seat longitudinally, to a comfortable position.
2. Unlock the steering wheel (10, Fig. B) by using the knob (11) and adjust its tilting according to one's comfort; after the adjustment, release the knob (11) and lightly move the steering wheel to hook it on the internal retainer.
3. Insert the ignition key in the switch (18, Fig. B); turn it to "I" position, without activating the pedal (20), then wait (for a few seconds) for the display (5, Fig. B) to turn on and the working hours to appear. Check that the green warning light turns on (9, Fig. B).
4. If the warning light becomes red or yellow (7 or 8, Fig. B) turn the ignition switch to "0" position and remove the key. Charge the batteries (see the procedure in the Maintenance chapter).



NOTE

The seat (27, Fig. B) is equipped with a safety sensor, which allows the machine operation only if the operator is seated on the driver's seat.

5. Disengage the parking brake by pressing the related pedal (26, Fig. B) and unlocking the lever (19).
6. Drive the machine to the working area, with the hands upon the steering wheel (10, Fig. B); press the pedal (20) on the front side to move forward and on the rear side to move backward. According to the pressure on the pedal, the speed increases from zero to the maximum value.
7. Lower the main broom by operating the lever (24, Fig. B), then activate the vacuum system by operating the lever (17, Fig. B).
8. Lower the right side broom by operating the lever (21, Fig. B).
9. Lower the left side broom by operating the lever (22, Fig. B).



NOTE

All brooms (10, 11, 12, Fig. C) can be lifted or lowered when the machine is moving. When the brooms are lifted, they do not turn. When the main broom is lifted, the vacuum system is not operating.

10. To sweep, start the machine with the hands upon the steering wheel (10, Fig. B) and press the pedal (20) accordingly.

Stopping the machine

1. To stop the machine, release the pedal (20, Fig. B). To stop the machine quickly, press also the servo brake pedal (26, Fig. B). In case of emergency, press the emergency push-button (12, Fig. B) to immediately stop the machine. To deactivate the emergency push-button (12) after pressing it, rotate it in the direction indicated by the arrow on the push-button.
2. Turn the ignition switch (18, Fig. B) to "0" position, and remove the key.
3. Engage the parking brake by pressing the brake pedal (26, Fig. B) and by operating the brake lock control lever (19).

MACHINE OPERATION

1. Avoid stopping for a long time with the machine in the same position and the brooms rotating: this could create unwanted marks on the floor.
2. To collect light and bulky waste materials, lift the front skirt by activating the pedal (25, Fig. B); consider that the vacuum capability of the machine is reduced when the front skirt is lifted.



WARNING!

When operating on wet grounds, it is essential to deactivate the vacuum system by operating the lever (17, Fig. B) to prevent the dust filter from being damaged.

3. For the machine proper operation, the dust filter must be as clean as possible. To clean it while sweeping, proceed as follows:
 - Lift the main broom by operating the lever (24, Fig. B) to deactivate the vacuum system;
 - Press the filter shaker push-button (14, Fig. B) at short intervals;
 - Then, lower the main broom to activate the vacuum system again, and resume operation. Repeat the operation at least every ten minutes while working (according to the area dusty conditions).



NOTE

This operation can be performed also when the machine is moving.



NOTE

When the dust filter is obstructed and/or the hopper is full, the machine cannot collect dust and debris anymore.

4. The hopper (4, Fig. C) should be dumped after each working period and whenever it is full.

HOPPER DUMPING

1. The maximum dumping height is 54.3 in (1,380 mm) (see Fig. U).
2. To dump the hopper, drive the machine near the dustbin and proceed as follows:
 - Lift the side and main brooms;
 - Deactivate the vacuum system by operating the lever (17, Fig. B);
 - Press the filter shaker button (14, Fig. B).



WARNING!
Always carry out this operation on a level ground to avoid machine unbalance.



WARNING!
When lifting and dumping the hopper (4, Fig. C), keep the parking brake engaged by pressing the pedal and operating the lever (26 and 19, Fig. B).

3. Keep people far from the machine and especially from the hopper (4, Fig. C).
4. Press both the consent push-button (1, Fig. B) and the hopper lifting push-button (15) to lift the hopper (1, Fig. T) up to the desired position.
5. Press both the consent push-button (1, Fig. B) and the hopper (2, Fig. U) overturning push-button (16, Fig. B) and discharge all the debris in the dustbin (1, Fig. U).



CAUTION!
The hopper (2, Fig. U) can be overturned only after having lifted it at a minimum height of 10.6 in (270 mm).

6. To overturn the hopper back to the horizontal position, press the consent push-button (1, Fig. B) while pressing the hopper overturning push-button (16, Fig. B).
7. To lower the hopper, press both the consent push-button (1, Fig. B) and the hopper lowering push-button (15).



CAUTION!
The hopper can be overturned only if it is not in its original position (horizontal position).

8. The machine is ready to start working again.

AFTER USING THE MACHINE

At the end of the work, before leaving the machine:

- Lift the main broom by operating the lever (24, Fig. B).
- Lift the side brooms by operating the levers (21 and 22, Fig. B).
- Deactivate the vacuum system by operating the lever (17, Fig. B), then press the filter shaker push-button (14, Fig. B) for a short interval, and activate the vacuum system again.
- Dump the hopper (4, Fig. C) (see the previous paragraph).
- Remove the key from the ignition switch (18, Fig. B).
- Engage the parking brake by pressing the brake pedal (26, Fig. B) and by operating the brake lock control lever (19).

WORKING LIGHT ADJUSTMENT

If it is necessary to adjust the working light beam aiming (9, Fig. C), operate on the screws (22).

MACHINE LONG INACTIVITY

If you foresee that the machine will not be used for more than 30 days, proceed as follows:

- Check that the machine storage area is dry and clean.
- Disconnect the battery connector (4, Fig. V).

FIRST PERIOD OF USE

After the first period of use (first 8 hours) it is necessary to check that the fixing and connecting elements are correctly tightened, that the visible parts are integral and that there are no tears.

MAINTENANCE

The lifespan of the machine and maximum operating safety are ensured by correct and regular maintenance. The following table summarizes the routine maintenance required. The intervals indicated can be changed to suit working conditions. These must be defined by the person in charge of the maintenance.



WARNING!

These operations must be carried out with the machine off, the ignition key not inserted and (if required) the battery disconnected.

Moreover, carefully read the instructions in the Safety chapter.

All scheduled or extraordinary maintenance operations must be performed by skilled personnel, or by an Authorized Service Center.

This manual describes only the easiest and most common maintenance procedures.



NOTE

For other maintenance procedures contained in the Scheduled Maintenance Table, refer to the specific Service Manual that can be consulted at any Service Center.

SCHEDULED MAINTENANCE TABLE

Maintenance operation	On delivery	Every 10 hours	Every 50 hours	Every 100 hours	Every 200 hours	Every 400 hours
Battery fluid level check		(1)				
Hopper lifting system hydraulic oil level check			(1)			
Motor-to-main broom belt visual inspection and tension check				(*)		
Skirt height and operation check						
Side and main broom height check						
Frame dust filter cleaning and integrity check						
Pocket dust filter cleaning and integrity check						
Filter shaker operation check			(*)			
Brake adjustment				(*)		
Nut and screw tightening check				(*) (2)		
Drive wheel chain tension check and cleaning			(*)			
Steering chain cleaning				(*)		
Vacuum hose integrity check				(*)		
Pulley-to-main broom belt replacement					(*)	
Motor-to-main broom pulley V-belt replacement					(*)	
Hopper gasket integrity check					(*)	
Hopper lifted position control microswitch adjustment check					(*)	
Hopper horizontal position control microswitch adjustment check					(*)	
Motor carbon brush check and replacement						(*)
Hydraulic oil replacement						(*) (3)

(*): for the related procedure, refer to the Service Manual.

(1): or before each start.

(2): and after the first 8 running-in hours

(3): replace hydraulic oil for the first time after 500 hours, then after 2,000 hours or every year

MAIN BROOM HEIGHT CHECK AND ADJUSTMENT



NOTE
Brooms of various hardness are available. This procedure is applicable to all types of brooms.

1. Check that the main broom is at the correct height from the ground, proceeding as follows:
 - Drive the machine on a level ground;
 - Keep the machine stationary and rotate the main broom for a few seconds;
 - Stop and lift the main broom, then move the machine;
 - Check that the main broom print (1, Fig. D), along its width, is from 0.79 to 1.57 in (20 to 40 mm) wide.
If the print (1) is different, it is necessary to adjust the broom height, proceeding as described in the following steps.
2. Stop the machine by turning the ignition switch (18, Fig. B) to “0” position.



WARNING!
Before opening the left door (5, Fig. C), it is always necessary to stop the machine to prevent belt and pulley operation.

3. Release the retainer (6, Fig. C) after removing the related screw by using a screwdriver.
4. Open the left door (5, Fig. C).
5. Loosen the locknut (2, Fig. E).
6. Turn the knob (1, Fig. E) and remind that:
 - To decrease the pressure of the broom on the ground, it must be screwed;
 - To increase the pressure of the broom on the ground, it must be unscrewed.



NOTE
When the knob is completely unscrewed, you have reached the maximum pressure of the broom on the ground.

7. Tighten the locknut (2, Fig. E).
8. Perform step 1 again to check the proper adjustment of the main broom height from the ground.
9. When the broom is too worn and can no longer be adjusted, replace it according to the instructions in the following paragraph.
10. Engage the retainer (6) and close the left door (5, Fig. C).



NOTE
If it is not possible to properly adjust the print (1, Fig. D), since the broom pressure differs from one end to another, refer to the Service Manual for the related adjustment procedure.

MAIN BROOM REPLACEMENT



NOTE
Brooms of various hardness are available. This procedure is applicable to all types of brooms.



CAUTION!
It is advisable to use protective gloves when replacing the main broom because there can be cutting debris between the bristles.

1. Drive the machine on a level ground and engage the parking brake by means of the pedal and the lever (26 and 19, Fig. B).
2. Turn the ignition switch (18, Fig. B) to “0” position.
3. Open the hood (1, Fig. V) and disconnect the battery connector (4, Fig. V).
4. Disengage the retainer (8) and open the right door (7, Fig. C)
5. Unscrew and remove the knobs (1, Fig. F).
6. Remove the broom compartment cover (1, Fig. G).
7. Remove the broom (1, Fig. H).
8. Check that the drive hub (1, Fig. I) is free from dirt or foreign materials (cords, clothes, etc.) accidentally rolled up.
9. The new broom must be installed with the bristles rows positioned as shown in the figure (2, Fig. I).
10. Install the new broom (3, Fig. I) on the machine and ensure that its flange (4) correctly fits on the related drive hub (1).
11. Reinstall the broom compartment cover (1, Fig. G) and screw down the knobs (1, Fig. F).
12. Engage the retainer (8) and close the right door (7, Fig. C)
13. Carry out the main broom height check and adjustment, as described in the previous paragraph.

SIDE BROOM HEIGHT CHECK AND ADJUSTMENT



NOTE

Brooms of various hardness are available. This procedure is applicable to all types of brooms.

1. Check the side broom height from the ground, proceeding as follows:
 - Drive the machine on a level ground;
 - Keep the machine stationary, lower the side brooms and rotate them for few seconds;
 - Stop and lift the side brooms, then move the machine;
 - Check that the side broom print are, in extension and orientation, as shown in the figure (1 and 2, Fig. J).
In case one or both prints are not within the specifications, it is necessary to adjust the broom height, proceeding as described in the following steps.
2. Engage the parking brake by means of the pedal and the lever (26 and 19, Fig. B).
3. Turn the ignition switch (18, Fig. B) to “0” position.
4. Open the hood (13, Fig. C) and hold it by using the related rod (16, Fig. V).
5. **For the right side broom**, actuate the driving gear of the lever (1, Fig. K): Loosen the ring nut (2) and adjust the register (3) until the correct print is achieved (1, Fig. J). Install the register and fit it on the lever with the ring nut (2, Fig. K).
For the left side broom, actuate the driving gear of the lever (4, Fig. K): Loosen the ring nut (5) and adjust the register (6) until the correct print is achieved (2, Fig. J). Install the register and fit it on the lever with the ring nut (5, Fig. K).
6. Perform step 1 again to check the proper adjustment of the side broom height from the ground.
7. When the broom is too worn out and can no longer be adjusted, replace it according to the instructions in the following paragraph.



NOTE

If necessary, it is possible to adjust also the side broom inclination. Please, refer to the Service Manual for the related procedure.

SIDE BROOM REPLACEMENT



NOTE

Brooms of various hardness are available. This procedure is applicable to all types of brooms.



CAUTION!

It is advisable to use protective gloves when replacing the side brooms because there can be cutting debris between the bristles.

1. Drive the machine on a level ground and engage the parking brake by means of the pedal and the lever (26 and 19, Fig. B).
2. Turn the ignition switch (18, Fig. B) to “0” position.
3. Operate the lever (21 or 22, Fig. B) to lower the related side broom.
4. Remove the screw (1, Fig. L) inside the side broom, then remove the broom and the hub (2) by disengaging it from the shaft (3).
Recover the key (4) and the washer (5).
5. At the workbench, remove the four screws and nuts (6) and separate the broom (8) from the hub (7).
6. Install the new broom (8) on the hub (7) and tighten the screws and the nuts (6).
7. Reinstall the new broom and the hub (2) on the machine after seating the key (4). Reinstall the washer (5) and tighten the screw (1).
8. Carry out the side broom height check and adjustment as described in the previous paragraph.

FRAME DUST FILTER CLEANING AND INTEGRITY CHECK



NOTE

Besides the standard paper filter, optional polyester filters are also available. The following procedure is applicable to each type.

1. Drive the machine on a level ground and engage the parking brake by means of the pedal and the lever (26 and 19, Fig. B).
2. Turn the ignition switch (18, Fig. B) to "0" position.
3. Open the hood (13, Fig. C) and hold it by using the related rod (16, Fig. V).
4. Disconnect the battery connector (4, Fig. V). Remove the filter cover (2, Fig. M) by disengaging it from the retainers (1).
5. Disconnect the electric connector (1, Fig. N) from the filter shaker.
6. Remove the filter shaker support frame fixing knobs (2, Fig. N).
7. Remove the filter support frame (3, Fig. N).
8. Pull out the dust filter (4, Fig. N).
9. In an appropriate outdoor area, clean the filter shaking it on a level and clean surface, tapping the side (1, Fig. O), opposite the wire gauze (2). Complete the cleaning by using compressed air (3) at max. 6 bars, blowing only from the side protected by the wire gauze (2), at a minimum distance of 30 cm. According to the filter type, take care of the following cautions:
 - Paper filter (standard): do not use water or detergents to clean it; the filter can be damaged;
 - Polyester filter (optional): to clean it, see the above-mentioned instructions. If necessary, for a better cleaning, it is allowed to wash the filter with water and non-lathering detergents. This provides better quality cleaning but reduces the life of the filter, which will have to be replaced more frequently. The use of inadequate detergents can damage the filter.

Check the filter body for lacerations.
10. Clean the filter compartment rubber seal (1, Fig. P) along its perimeter and check its integrity. If necessary, replace it.
11. Install in the reverse order of removal (steps from 8 to 1).



WARNING!

When reinstalling the filter, the wire gauze (2, Fig. O) must be facing upward.

POCKET DUST FILTER CLEANING AND INTEGRITY CHECK



NOTE

The polyester pocket filters are normally kept clean by activating the electric filter shaker supplied with the machine.

If necessary, they can be cleaned using the procedure indicated below.

When the filtration surfaces are no longer suitable, the filter must be replaced.

1. Drive the machine on a level ground and engage the parking brake by means of the pedal and the lever (26 and 19, Fig. B).
2. Turn the ignition switch (18, Fig. B) to "0" position.
3. Open the hood (13, Fig. C) and hold it by using the related rod (16, Fig. V).
4. Remove the filter cover (2, Fig. M) by disengaging it from the retainers (1).
5. Unscrew the knobs (1, Fig. AA) and remove the brackets (2).
6. Pull out the dust filter (1, Fig. AB), and remove it after disconnecting the electrical connector (2) from the filter shaker.
7. Disassemble the polyester filtering surface, as indicated by the following steps; these procedures must be carried out in a suitable outdoor area and the Operator must be suitably equipped (gloves, mask, glasses).
8. Remove the filter shaker motor (1, Fig. AC) by unscrewing the two fixing screws.
9. Open the filter shaker motor support unit (2, Fig. AC) completely and release the filtering pocket tension rods (3).
10. Remove all the filtering pocket tension rods (4, Fig. AC).
11. Open the upper retaining cord (5, Fig. AC) of the closed pocket filter to remove it from the upper frame (6).
12. Remove the internal pocket separator (7, Fig. AC).
13. Clean the polyester fibre surface (8, Fig. AC) from the dirty side, using an external vacuum cleaner, spreading it out completely or cleaning pocket by pocket. At the same time, clean both the surfaces of the pocket separator (7, Fig. AC) removing anything deposited on them. Check that the filtering surface is not cut, if it is, replace it. It is also possible to use compressed air (max. 6 bars), blowing the air from the clean side towards the dirty side.



WARNING!

It is not advisable to wash the filter with water. The polyester fibre can shrink and become unusable.

14. Reassemble all the components of the filter in the reverse order of disassembly.
15. If necessary, clean the filter compartment rubber seal (3, Fig. AB) along its perimeter and check its integrity. If necessary, replace it.
16. Reassemble all the components in the reverse order of disassembly.

SKIRT HEIGHT AND OPERATION CHECK

Side skirt

1. Drive the machine on a level ground that is suitable for checking the skirt height.
2. Engage the parking brake by means of the pedal and the lever (26 and 19, Fig. B).
3. Turn the ignition switch (18, Fig. B) to "0" position.
4. Disengage the retainers (8 and 6) and open the right and left doors (7 and 5, Fig. C).
5. Check the side skirt (2, Fig. F) integrity.
Replace the skirts when they have cuts (1, Fig. Q) larger than 0.79 in (20 mm) or cracks/tears (2) larger than 0.39 in (10 mm) (for skirt replacement, refer to the Service Manual).
6. Check that side skirt (2, Fig. F) height from ground is within 0 – 0.12 in (0 – 3 mm) (Fig. R).
After loosening the screws (3, Fig. F), if necessary, adjust the skirt position. Then tighten the screws (3).

Front and rear skirt

7. Remove the main broom, as described in the related paragraph.
8. Check the front and rear skirts (1 and 2, Fig. W) for integrity.
Replace the skirts when they have cuts (1, Fig. Q) larger than 0.79 in (20 mm) or cracks/tears (2) larger than 0.39 in (10 mm) (for skirt replacement, refer to the Service Manual).
9. Check that the front and rear skirts (1 and 2, Fig. W) rub lightly on the floor but are not completely lifted from the ground (see figure S).
After loosening the screws (3, Fig. W), if necessary, adjust the skirt position. Then tighten the screws (3).
10. Press the front (25, Fig. B) skirt lifting pedal completely, and check that the front skirt lifts 1.97 in (50 mm) approximately.
Release the pedal and check that the skirt returns to the initial position and not in an intermediate position. If necessary, adjust the skirt lifting cable (1, Fig. X) by using the adjuster (2) on the left front side of the skirt (for the front skirt control cable replacement, refer to the Service Manual).
11. Reassemble all the components in the reverse order of disassembly.

HOPPER LIFTING SYSTEM HYDRAULIC OIL LEVEL CHECK



CAUTION!

These operations must be performed with the hopper (4, Fig. C) in its original position (as shown in the figure).

1. Engage the parking brake by means of the pedal and the lever (26 and 19, Fig. B).
2. Open the hood (1, Fig. V) and hold it by using the related rod (16, Fig. V).
3. Check that the hydraulic oil level in the tank (14, Fig. V) is between the MIN and MAX indicators (as shown in Fig. Y).
4. If necessary add hydraulic oil - viscosity grade 32 cSt - through the plug (1, Fig. Y).
5. Disengage to lock rod (16, Fig. V) and close the hood (1, Fig. V).

BATTERY CHARGING



WARNING!

Battery charging produces explosive hydrogen gas. Charge the batteries only in well-ventilated areas and far from naked flames.

Do not smoke during battery charging. Keep the hood open while recharging the battery.



WARNING!

Be extremely careful when charging the batteries as there may be battery fluid leakages. The battery fluid is corrosive. If it comes in contact with the skin or the eyes, rinse thoroughly with water and consult a doctor.

1. Drive the machine on a level ground and engage the parking brake by means of the pedal and the lever (26 and 19, Fig. B).
2. Turn the ignition switch (18, Fig. B) to "0" position.
3. Open the hood (13, Fig. C) and hold it by using the related rod (16, Fig. V).
4. Check the correct level of electrolyte inside the batteries; if necessary, top up through the caps (3, Fig. V).
Leave the caps (3) open for the next recharging. Clean, if necessary, the upper surface of the batteries.
5. Check that the battery charger is appropriate, referring to the Battery Charger Operating Manual. The battery charger voltage rating is 24 V. The battery charger must be appropriate for the battery installed on the machine.

6. Disconnect the battery connector (4, Fig. V) and connect it to the external battery charger.
7. Connect the battery charger to the electrical mains and charge the batteries.
8. When the recharging is complete, disconnect the battery charger from the electrical mains and from the battery connector (4, Fig. V).
9. Check the correct level of electrolyte inside the batteries and close the caps (3, Fig. V).
10. Reconnect the battery connector (4, Fig. V) to the machine.
11. Disengage the lock rod (16, Fig. V) and close the hood (13, Fig. C); the machine is ready to be used.

SAFETY FUNCTIONS

The machine is equipped with the following safety functions.

RUNNING CONSENT SWITCH

It allows the machine to run only if the operator is on the driver's seat (27, Fig. B).

EMERGENCY PUSH-BUTTON

It is in the position 12, Fig. B, easily accessible for the operator; it must be pressed when it necessary to stop the machine operation immediately.

HOPPER LIFTING/LOWERING CONSENT PUSH-BUTTON

It is in the position 1, Fig. B and must be pressed and held to activate the hopper lifting/lowering and overturning push-buttons.

HOPPER LIFTING CYLINDER SAFETY DEVICE VALVE

It is located on the hopper lifting cylinder. It stops the hopper in the position it has reached (without possibility for it to lower accidentally) if the hydraulic system piping, feeding the lifting cylinder, should break.

TROUBLESHOOTING

TROUBLE	REMEDY
After having turned the ignition switch (18, Fig. B) to "I" position, the display does not illuminate and the machine does not work	Check that the battery connector (4, Fig. V) is correctly connected to the machine
	Check the integrity of the following fuses: F1 (1, Fig. Z) and F0 (2, Fig. Z)
The machine does not move when pressing the accelerator pedal	Turn the ignition switch to "0" position, then to "I" position, being careful not to press the accelerator pedal during this operation
The main broom does not work	Check that the related thermal circuit breaker (5, Fig. V) is not deactivated; otherwise reactivate it by pressing the related key
The side brooms do not work	Check that the related thermal circuit breaker (6 or 7, Fig. V) is not deactivated; otherwise reactivate it by pressing the related key
The machine operates only when stationary, otherwise it switches off and the red warning light turns on	Re-charge the battery. If the problem persists, replace the batteries
The machine collects few debris/dust	Check that the dust filter (4, Fig. N) is not obstructed
	Check that the hopper (4, Fig. C) is not full
	Check that the skirts (16, 17, 18, 19, Fig. C) are not broken or incorrectly adjusted
	Check the correct height of the brooms (10, 11, 12, Fig. C)
The battery autonomy is low	Install a battery with greater capacity: (240 Ah)
The hopper does not lift	Check the fuse (F2, Fig. Z) integrity
The hopper does not overturn	Check the fuse (F3, Fig. Z) integrity
	Check that the hopper is lifted from the ground at an height greater than 10.6 in (270 mm)
The hopper does not lower	Before lowering the hopper by pressing the push-button (15, Fig. B), check that the hopper is in its horizontal position by pressing the push-button (16, Fig. B)
The filter shaker does not work	Operate the lever (24, Fig. B) to check that the main broom is lifted
	Check the fuse (F4, Fig. Z) integrity

For further information consult the Service Manual at any Nilfisk Service Center.

SCRAPPING

Have the machine scrapped by a qualified scrapper.
Before scrapping the machine, always remove the following materials:

- Battery
- Polyester dust filter
- Main and side brooms
- Hydraulic oil
- Hydraulic oil filter
- Electronic boards
- Plastic components and pipes

**CAUTION!**

The removed components must be disposed of properly according to the Law in force.

INTRODUCCIÓN	2
FINALIDAD Y OBJETO DE ESTE MANUAL	2
DESTINATARIOS	2
CONSERVACIÓN DEL MANUAL	2
DATOS DE IDENTIFICACIÓN	2
OTROS MANUALES DE REFERENCIA	2
PIEZAS DE REPUESTO Y MANTENIMIENTO	2
MODIFICACIONES Y MEJORAS	2
SEGURIDAD	2
SÍMBOLOS	2
INSTRUCCIONES GENERALES	3
DESEMBALAJE	3
DESCRIPCIÓN DE LA MÁQUINA	4
CARACTERÍSTICAS DE FUNCIONAMIENTO DE LA BARREDERA TERRA™ 5200B	4
CONVENCIONES	4
DESCRIPCIÓN	4
DATOS TÉCNICOS	5
FUSIBLES	6
ACCESORIOS/OPCIONES	6
USO	6
CONTROL/PREPARACIÓN BATERÍAS EN LA MÁQUINA NUEVA	6
INSTALACIÓN DE LAS BATERÍAS Y REGULACIÓN DEL TIPO DE BATERÍA (WET O GEL)	7
ANTES DE LA PUESTA EN MARCHA DE LA MÁQUINA	7
PUESTA EN MARCHA Y PARADA DE LA MÁQUINA	8
MÁQUINA EN FUNCIÓN	8
VACIADO DEL CAJÓN DE RESIDUOS	9
DESPUÉS DE LA UTILIZACIÓN DE LA MÁQUINA	9
AJUSTE DE LA LUZ DE TRABAJO	9
PERIODO DE LARGA INACTIVIDAD DE LA MÁQUINA	9
PRIMER PERIODO DE UTILIZACIÓN	9
MANTENIMIENTO	10
ESQUEMA DE MANTENIMIENTO PROGRAMADO	10
CONTROL Y AJUSTE DE LA ALTURA DEL CEPILLO PRINCIPAL	11
SUSTITUCIÓN DEL CEPILLO PRINCIPAL	11
CONTROL Y AJUSTE DE LA ALTURA DEL CEPILLO LATERAL	12
SUSTITUCIÓN DE LOS CEPILLOS LATERALES	12
LIMPIEZA DEL FILTRO DE POLVO DE BASTIDOR Y CONTROL DE LA INTEGRIDAD	13
LIMPIEZA DEL FILTRO DE BOLSAS Y CONTROL DE LA INTEGRIDAD	13
CONTROL ALTURA Y FUNCIONAMIENTO DE LAS PUERTAS ABATIBLES	14
CONTROL NIVEL ACEITE HIDRÁULICO SISTEMA DE SUBIDA CAJÓN DE RESIDUOS	14
CARGA DE LAS BATERÍAS	14
FUNCIONES DE SEGURIDAD	15
INTERRUPTOR DE ASENSO MARCHA	15
PULSADOR DE EMERGENCIA	15
PULSADOR DE ASENSO SUBIDA/BAJADA DEL CAJÓN DE RESIDUOS	15
VÁLVULA DE SEGURIDAD DEL CILINDRO DE SUBIDA DEL CAJÓN DE RESIDUOS	15
BÚSQUEDA AVERÍAS	15
ELIMINACIÓN	16

INTRODUCCIÓN

FINALIDAD Y OBJETO DE ESTE MANUAL

Este manual contiene todas las informaciones necesarias para que el Cliente utilice la máquina de forma adecuada, autónoma y segura. Incluye informaciones técnicas, sobre el funcionamiento, el período de inactividad, el mantenimiento, las piezas de repuesto y la seguridad. Antes de efectuar cualquier operación de mantenimiento, los Operadores y los Técnicos calificados para el mantenimiento tienen que leer cuidadosamente las instrucciones incluidas en este Manual. En caso de dudas sobre la correcta interpretación de las instrucciones, consulte el fabricante para obtener explicaciones.

DESTINATARIOS

Este Manual es para los Operadores y los Técnicos calificados para el mantenimiento de la máquina. Los operadores no deben efectuar operaciones que sólo los técnicos calificados pueden efectuar. El Fabricante no es responsable para los daños causados a la máquina por falta de observación de esta prohibición.

CONSERVACIÓN DEL MANUAL

Este manual de instrucciones debe conservarse junto a la máquina, dentro de su contenedor, lejos de líquidos y otras sustancias que podrían dañarlo.

DATOS DE IDENTIFICACIÓN

El número de serie y el modelo de la máquina están marcados en la placa (28, Fig. B) aplicada a la columna de la dirección, legible desde el exterior. El año de fabricación de la máquina está indicado después del Código fecha en la placa serial (A04 significa Enero 2004). Esta información es necesaria cuando se pidan piezas de repuesto para la máquina. Utilizar el espacio siguiente para escribir los datos de identificación de la máquina para todas referencias futuras.

Modelo MÁQUINA
Número de serie MÁQUINA

OTROS MANUALES DE REFERENCIA

- Catálogo piezas de repuestos (en dotación a la máquina).
- Manual de taller (que se puede consultar cerca de los Centros de asistencia Nilfisk-Advance).

PIEZAS DE REPUESTO Y MANTENIMIENTO

Para cualquier necesidad que se refiere a la utilización, al mantenimiento y a las reparaciones, consultar el personal calificado o los Centros de asistencia Nilfisk-Advance. Se recomienda utilizar sólo piezas de repuesto y accesorios originales.

Para la asistencia o para ordenar piezas de repuesto o accesorios, acuda a un Centro Nilfisk-Advance, especificando siempre el modelo y el número de serie de la máquina.

MODIFICACIONES Y MEJORAS

Nuestra Empresa está constantemente mejorando sus productos y se reserva el derecho de realizar modificaciones y mejoras a su discreción, sin verse obligada a aplicar dichas ventajas a las máquinas vendidas previamente.

Sólo el Fabricante puede aprobar y efectuar cualquier modificación y/o instalación de accesorios.

SEGURIDAD

La siguiente simbología sirve para señalar situaciones de peligro potencial. Leer siempre cuidadosamente estas informaciones y tomar las precauciones necesarias para proteger personas y cosas.

Para evitar desgracias, la cooperación del Operador de la máquina es fundamental. Ningún programa de prevención de accidentes resulta eficaz sin la total cooperación de la persona directamente responsable del funcionamiento de la máquina. La mayoría de los accidentes que pueden producirse en una empresa, durante el trabajo o los traslados, son provocados por no observar las reglas de seguridad fundamentales. Un operador cuidadoso y cauto es la mejor garantía para evitar posibles accidentes y resulta más eficaz que cualquier programa de prevención.

SÍMBOLOS



¡PELIGRO!
Indica un peligro con riesgo, incluso mortal, para el operador.



¡ATENCIÓN!
Indica el riesgo potencial de infortunios para las personas.



¡ADVERTENCIA!
Indica una advertencia o una nota sobre una función importante o útil. Tener mucho cuidado de las partes del texto marcadas con este símbolo.



CONSULTAS
Antes de efectuar cualquier operación consulte las Instrucciones de uso.

INSTRUCCIONES GENERALES

Se describen a continuación las advertencias y precauciones específicas por lo que se refiere a los potenciales riesgos de daños a la máquina o a las personas.



¡PELIGRO!

- Antes de efectuar cualquier operación de mantenimiento/repación, poner el conmutador de arranque en posición OFF y desconectar la batería.
- Sólo el personal calificado y autorizado puede utilizar esta máquina. Los niños y los minusválidos no pueden utilizar esta máquina.
- Tener chispas, llamas y humo lejos de las baterías. Durante el uso normal pueden salir gases explosivos.
- Quitarse las joyas cuando se trabaja cerca de los componentes eléctricos.
- No trabajar bajo la máquina levantada si ésta no está fijada con los soportes adecuados.
- Cada vez que se trabaja bajo del capó abierto, asegurarse que el capó mismo no pueda cerrarse de forma accidental.
- No utilizar esta máquina en un ambiente donde haya polvo, líquidos o vapores nocivos, peligrosos, inflamables y/o explosivos.
- Cargando las baterías se produce gas hidrógeno explosivo. Tener el capó abierto durante las operaciones de carga de la batería y efectuar la carga solo en áreas muy bien ventiladas y lejos de llamas libres.



¡ATENCIÓN!

- Antes de efectuar cualquier operación de mantenimiento/repación, leer cuidadosamente todas las instrucciones relacionadas.
- Tomar todas las precauciones necesarias para que el pelo, las joyas y las ropas no sean capturados por las partes móviles de la máquina.
- No fumar cuando se cargan las baterías.
- No dejar la máquina sin custodia sin haber sacado la llave de encendido y activado el freno de estacionamiento.
- No utilizar sobre suelos con inclinación mayor a la indicada en la máquina.
- No lavar la máquina con chorros de agua directa o presurizada, o con sustancias corrosivas. No utilizar aire comprimido para la limpieza general de este tipo de máquina, excepto para los filtros (véase el párrafo relacionado).
- Cuando se utiliza esta máquina, tener cuidado de salvaguardar la incolumidad de las personas, especialmente los niños.
- No apoyar contenedores de líquidos sobre la máquina.
- La temperatura de almacenamiento debe estar entre 0°C y +40°C (+32°F y +104°F).
- La temperatura de funcionamiento la máquina debe estar entre 0°C y +40°C (+32°F y +104°F).
- La humedad debe estar entre el 30% y el 95%.
- Proteger siempre la máquina del sol, lluvia y otras intemperie, tanto durante el funcionamiento como durante los periodos de inactividad.

- No se puede utilizar la máquina para remolcar o empujar objetos y/o cargas. No utilizar la máquina como medio de transporte; la capacidad máxima de la máquina, además del peso del Operador, es de 110 kg (242,5 lb).
- No permitir que los cepillos funcionen mientras la máquina esta parada en un punto para evitar posibles daños al suelo.
- En caso de incendio utilizar un extintor de polvo. No utilizar agua.
- No chocar contra estanterías o andamios de los que puedan caer objetos.
- Ajustar la velocidad de funcionamiento según la adherencia al suelo.
- Esta máquina no tiene aprobación para la utilización en carreteras o vías públicas.
- No adulterar por ninguna razón la máquina, respetar escrupulosamente las instrucciones previstas para el mantenimiento ordinario.
- No quitar ni modificar las placas que el Fabricante ha colocado en la máquina.
- Cuando la máquina no funciona correctamente, asegurarse de que esto no sea causado por falta de mantenimiento.
En caso contrario pedir la intervención del personal autorizado o del Centro de asistencia.
- Si deben sustituirse piezas, solicitar piezas de repuesto ORIGINALES a un Concesionario o Revendedor autorizado.
- Para asegurar condiciones de funcionamiento correcto y seguro, el personal autorizado o el Centro de asistencia autorizado debe llevar a cabo el mantenimiento programado según las especificaciones en el capítulo relacionado de este manual.
- La máquina nunca debe dejarse desentendida durante la fase de eliminación, por la presencia de materiales tóxicos y dañinos (baterías, aceites, plástico etc.) sujetos a normativas que exigen que se realice la eliminación cerca de centros especiales (véase el capítulo Eliminación).
- Si se utiliza la máquina de conformidad con las instrucciones, las vibraciones no engendran situaciones peligrosas. El nivel de vibraciones de la máquina es inferior a 2,5 m/s² (2,7 yd/s²)(EN 1032-96/A1-98).
- No inclinar la máquina por más de 30° con respeto a la línea horizontal, porque el líquido muy corrosivo de las baterías podría sobresalir. Si es necesario inclinar la máquina para las operaciones de mantenimiento, quitar las baterías.

DESEMBALAJE

Al momento de la entrega, controlar el embalaje y la máquina por si hayan sufrido daños durante el transporte. Si el daño es evidente, conservar el embalaje así que el transportista que lo ha entregado lo pueda inspeccionar. Contactarlo de inmediato para compilar una indemnización daños y perjuicios.

Controlar que la máquina sea entregada junto a los siguientes componentes:

Documentación técnica:

- Instrucciones de uso
- Catálogo piezas de repuestos
- Fusible principal N.1 150A (FO)
- Conector de las baterías

DESCRIPCIÓN DE LA MÁQUINA

CARACTERÍSTICAS DE FUNCIONAMIENTO DE LA BARREDERA TERRA™ 5200B

La barredera Terra™ 5200B es adecuada para recoger polvo y residuos ligeros sobre suelos lisos y sólidos, en ambientes residenciales o industriales, en condiciones de seguridad, por parte de un Operador calificado.

CONVENCIONES

Las indicaciones de adelante, atrás, delantero, trasero, derecho e izquierdo en este manual se refieren al Operador en posición de conducción en su asiento (23, Fig. B).

DESCRIPCIÓN

Tablero de control (Véase Fig. B)

1. Pulsador de asenso subida/bajada del cajón de residuos
2. Pulsador bocina
3. Pulsador luz de trabajo (opcional)
4. Posición para pulsador opcional (luz rotativa)
5. Visualizador datos
6. Pulsador de selección, en el visualizador, de las siguientes funciones en secuencia:
 - Horas de trabajo
 - Última cifra de las horas - (punto) - minutos
 - Tensión de batería (V)
7. Indicador luminoso de batería descargada (rojo)
8. Indicador luminoso de batería casi descargada (amarillo)
9. Indicador luminoso de batería cargada (verde)
10. Volante
11. Empuñadura de ajuste de la inclinación de la columna de la dirección
12. Pulsador parada de emergencia
13. Posición para pulsador opcional
14. Pulsador del sacudidor del filtro
15. Pulsador de subida/bajada del cajón de residuos
16. Pulsador de vuelco del cajón de residuos
17. Palanca de activación/desactivación de la aspiración
18. Conmutador de arranque
19. Palanca de mando bloqueo freno de estacionamiento (con pedal posición 26)
20. Pedal de marcha adelante/atrás
21. Palanca de subida/bajada del cepillo derecho
22. Palanca de subida/bajada del cepillo izquierdo
23. Palanca de ajuste de la posición longitudinal del asiento
24. Palanca de subida/bajada del cepillo principal
25. Pedal de subida de la puerta abatible delantera
26. Pedal del freno de servicio (freno de estacionamiento combinado con la palanca 19).
27. Asiento del conductor con microinterruptor de seguridad
28. Placa número de serie/datos técnicos

Vistas exteriores generales (Véase Fig. C)

3. Tapa del filtro de polvos
4. Cajón de residuos
5. Puerta izquierda abrible
6. Retén de cierre izquierdo con tornillos
7. Puerta derecha abrible
8. Retén de cierre derecho con tornillos
9. Luz de trabajo (opcional)
10. Cepillo lateral derecho
11. Cepillo lateral izquierdo
12. Cepillo principal
13. Tapa del compartimiento de la batería
14. Ruedas traseras de tracción en eje fijo
15. Rueda delantera directriz
16. Puerta abatible izquierda
17. Puerta abatible derecha
18. Puerta abatible delantera
19. Puerta abatible trasera
20. Compartimiento del filtro de polvos
21. Luz rotativa (siempre en función con el conmutador de arranque en posición "I")
22. Tornillos de ajuste de la orientación de la luz de trabajo

Compartimiento bajo capó (Véase Fig. V)

1. Capó (abierto)
2. Batería
3. Tapones de las baterías
4. Conector de las baterías
5. Fusible térmico motor cepillo principal
6. Fusible térmico motor cepillo lateral derecho
7. Fusible térmico motor cepillo lateral izquierdo
8. Caja fusibles laminares
9. Motor de aspiración/cepillo principal
10. Ventilador de aspiración
11. Motor de tracción
12. Caja eléctrica
13. Tarjeta electrónica de tracción
14. Depósito del aceite hidráulico del sistema de subida del cajón de residuos
15. Esquema de instalación de las baterías
16. Barra de soporte del capó
17. Barra de soporte del capó bajo del asiento

DATOS TÉCNICOS

Generales	Valores
Anchura de trabajo (con un cepillo lateral)	1.049 mm (41,3 in)
Anchura de trabajo (con dos cepillos laterales)	1.310 mm (51,6 in)
Largura de la máquina	1.752 mm (69,0 in)
Anchura de la máquina (con un cepillo lateral)	1.206 mm (47,5 in)
Anchura de la máquina (con dos cepillos laterales)	1.310 mm (51,6 in)
Altura máxima al volante	1.351 mm (53,2 in)
Altura mínima desde el suelo (sin puertas abatibles)	58,42 mm (2,3 in)
Altura máxima de subida del cajón de residuos	1.651 mm (65,0 in)
Peso máximo levantable por el cajón de residuos	110 kg (242,5 lb)
Altura mínima/máxima de descarga residuos	270 mm/1.380 mm (10,6/54,3 in)
Radio mínimo de viraje	1.690 mm (66,5 in)
Dimensiones del cepillo principal	Ø 300 mm x 800 mm (Ø 11,8 in x 31,5 in)
Dimensiones de los cepillos laterales	Ø 500 mm (Ø 19,7 in)
Velocidad máxima en marcha adelante	7 km/h (4,3 mph)
Velocidad máxima en marcha atrás	3,5 km/h (2,2 mph)
Inclinación máxima	16%
Peso eje delantero en orden de marcha	280 kg (617,3 lb)
Peso eje trasero en orden de marcha	430 kg (948,0 lb)
Peso total máquina en orden de marcha	710 kg (1.565,3 lb)
Rueda delantera directriz	4,00 – 4
Ruedas traseras de tracción	4,00 – 4
Nivel del sonido (A L _{pa})	66,9 dB(A)

Motores eléctricos	Valores
Tensión del sistema eléctrico	24V
Motor de aspiración/cepillo principal	24V; 1.000W; 2.800 RPM
Motor de tracción	24V; 750W; 5.000 RPM
Motoreductor del cepillo lateral	24V; 90W; 85 RPM
Motor del sacudidor del filtro	24V; 90W; 5.700 RPM

Baterías	Valores
Baterías estándar	N. 4 de 6V, de plomo con electrolito ácido, conectadas en serie
Baterías opcionales	N. 1 de 24V, de plomo con electrolito ácido

Baterías opcionales (de gel o plomo, disponibles cerca de los revendedores Nilfisk)	Valores
Tensión total de baterías	24V
Capacidad baterías utilizables	330Ah
Dimensiones compartimiento baterías	304x800 mm (12x31,5 in)
Dimensiones máx. compartimiento baterías	360x800x380 mm (14,2x31,5x15,0 in)

Aspiración y filtrado polvos	Valores
Filtro de papel de 5-10 µm	7 m ² (10.850 in ²)
Depresión en el compartimiento del cepillo principal	6 mm H ₂ O (0,24 in H ₂ O)

Esquema eléctrico

(Véase Fig. AF)

BE1:	Luz de trabajo (opcional)
BZ1:	Advisador acústico
C1:	Conector de las baterías
EB1:	Tarjeta electrónica de tracción
EB2:	Tarjeta del visualizador
ES1:	Telerruptor de línea
ES2:	Telerruptor del cepillo principal
ES3:	Telerruptor de la bomba (subida)
ES4:	Telerruptor de la bomba (bajada)
ES5:	Telerruptor del asiento
F0:	Fusible principal (150A)
F1:	Fusible llave (15A)
F2:	Fusible bomba hidráulica (20A)
F3:	Fusible actuador cajón de residuos (10A)
F4:	Fusible sacudidor del filtro (15A)
F5:	Fusible de servicio (10A)
F6:	Fusible luz de trabajo (10A) (opcional)
F7:	Fusible térmico cepillo derecho (10A)
F8:	Fusible térmico cepillo izquierdo (10A)
F9:	Fusible térmico cepillo principal (50A)
HN:	Bocina
K1:	Conmutador de arranque
L1:	Luz de trabajo (opcional)
M1:	Motor de tracción
M2:	Motor cepillo principal
M3:	Bomba hidráulica
M4:	Actuador
M5:	Motor del sacudidor del filtro
M7:	Motor cepillo derecho
M8:	Motor cepillo izquierdo
R1:	Potenciómetro de tracción
SW0:	Pulsador parada de emergencia
SW1:	Interruptor de marcha adelante/atrás
SW2:	Interruptor cepillo principal
SW3:	Interruptor de seguridad cajón de residuos
SW4:	Interruptor subida-bajada cajón de residuos
SW5:	Interruptor apertura-cierre cajón de residuos
SW7:	Interruptor cepillo derecho
SW8:	Interruptor cepillo izquierdo
SW9:	Microinterruptor posición horizontal cajón de residuos
SW10:	Microinterruptor subida cajón de residuos
SW11:	Microinterruptor apertura cajón de residuos
SW11:	Microinterruptor cierre cajón de residuos
SW13:	Microinterruptor sacudidor del filtro
SW14:	Interruptor luz de trabajo (opcional)
SW15:	Interruptor bocina
SW16:	Interruptor de seguridad

Códigos colores

BK:	Negro
BU:	Azul
BN:	Marrón
GN:	Verde
GY:	Gris
OG:	Anaranjado
PK:	Rosado
RD:	Rojo
VT:	Morado
WH:	Blanco

Esquema hidráulico

(Véase Fig. AG)

1. Depósito del aceite hidráulico
2. Filtro del aceite hidráulico
3. Bomba hidráulica
4. Motor
5. Válvula de seguridad
6. Cilindro de subida del cajón de residuos

FUSIBLES

Bajo del capó, fuera de la caja eléctrica, hay los siguientes fusibles:

- **Fusibles térmicos**, reseteables pulsando la tecla relacionada:
 - Motor cepillo principal (5, Fig. V)
 - Motor cepillo lateral derecho (6, Fig. V)
 - Motor cepillo lateral izquierdo (7, Fig. V)
- **Fusibles laminares**, protegidos por una tapa de plástico transparente, que protegen los circuitos indicados:
 - F1 (15A) (el primero empezando por arriba): Conmutador de arranque
 - F2 (20A): Bomba hidráulica
 - F3 (10A): Actuador cajón de residuos
 - F4 (15A): Sacudidor del filtro
 - F5 (10A): Servicios
 - F6 (10A): Luces de trabajo (opcional)
 - De repuesto 1 (20 A)
 - De repuesto 2 (15 A)

Al interior de la caja eléctrica (12, Fig. V), hay el siguiente fusible:

- F0 (150A): Principal (2, Fig. Z)

ACCESORIOS/OPCIONES

Además de los componentes instalados en la versión estándar, la máquina puede equiparse con los siguientes accesorios/opciones, según la utilización específica:

- cepillos principal y laterales con cerdas más o menos duras con respeto al estándar;
- filtro de polvos de poliéster antistático o de poliéster BIA C;
- filtro de bolsas;
- luz rotativa;
- luz de trabajo;
- puerta abatible antihuella;
- ruedas antihuella;
- lumbreira de protección.

Para informaciones suplementarias sobre accesorios opcionales, acudir al Revendedor autorizado.

USO



¡ATENCIÓN!

En unas partes de la máquina hay unas placas adhesivas que indican:

- PELIGRO
- ATENCIÓN
- ADVERTENCIA
- CONSULTAS

Con la lectura de este manual, el Operador tiene que aprender el sentido de estos símbolos.

Por ninguna razón estas placas deben cubrirse y si están dañadas tienen que sustituirse de inmediato.

CONTROL/PREPARACIÓN BATERÍAS EN LA MÁQUINA NUEVA

La máquina necesita de una batería de 24V, o de cuatro baterías de 6V conectadas según el esquema (15, Fig. V). La máquina puede ser entregada con las siguientes configuraciones:

a) Baterías ya instaladas y listas para utilizarse.

1. Abrir el capó (13, Fig. C) y fijarlo mediante la barra de soporte (16, Fig. V). Controlar que la batería esté conectada a la máquina mediante el conector apropiado (4, Fig. V).
2. Desenganchar la barra de soporte y cerrar el capó; asegurarse que esté correctamente cerrado.
3. Poner la llave en el conmutador de arranque (18, Fig. B) en el tablero de control; girarlo en posición "I" (sin pisar el pedal 20, Fig. B). Si se enciende el indicador luminoso verde (9, Fig. B), la batería está cargada y puede utilizarse.

Si se encienden los indicadores luminosos amarillo o rojo (8 o 7, Fig. B) es necesario cargar las baterías (véase el capítulo Mantenimiento).

b) Baterías instaladas en la máquina, pero sin electrolito líquido

1. Abrir el capó (13, Fig. C) y fijarlo mediante la barra de soporte (16, Fig. V).
2. Quitar los tapones (3, Fig. V) de las baterías.



¡ATENCIÓN!

Tener mucho cuidado cuando se usa ácido sulfúrico porque es muy corrosivo. Si entra en contacto con la piel o los ojos lavar a conciencia con agua y consultar un médico. Rellenar las baterías en áreas muy bien ventiladas. Ponerse guantes de protección.

3. Rellenar los elementos de la batería con ácido sulfúrico para baterías [densidad de 1,27 a 1,29 Kg, a 25°C (de 2,80 a 2,84 lb, a 77°F)] de conformidad con las instrucciones especificadas en el Manual de uso de la batería.

En el Manual está especificada la correcta cantidad de ácido de poner en la batería.

Esperar y rellenar los elementos de la batería con ácido sulfúrico según las instrucciones especificadas en el Manual de uso de la batería.

4. Cargar la batería (véase el capítulo Mantenimiento).

c) Sin baterías

1. Comprar unas baterías adecuadas [véase el párrafo Datos técnicos y los esquemas de instalación (15, Fig. H)].
Para escoger e instalar las baterías, acudir a un revendedor calificado.
2. Instalar y efectuar la regulación de las baterías según el tipo, WET o GEL, efectuar la regulación (véase el procedimiento en el párrafo siguiente).
3. Cargar las baterías (véase el capítulo Mantenimiento).

INSTALACIÓN DE LAS BATERÍAS Y REGULACIÓN DEL TIPO DE BATERÍA (WET O GEL)

Instalación de las baterías

1. Instalar las baterías en la máquina según el esquema (15, Fig. V).
Según las dimensiones de las baterías, controlar si caben dentro del contenedor de plástico en dotación a la máquina.
Si las baterías no caben en el contenedor, utilizar las guías de escuadra, en dotación a la máquina, para garantizar la estabilidad al interior del compartimiento de las baterías.



¡ATENCIÓN!

Las baterías de plomo/ácido no selladas, necesitan siempre un contenedor adecuado para evitar que el ácido sobresalga.

No instalar las baterías de plomo/ácido no selladas sin un contenedor adecuado.

Regulación de batería WET o GEL



NOTA

La regulación de fábrica de la máquina es para baterías de plomo (WET). Si la regulación corresponde al tipo de baterías instaladas, no es necesario efectuar este procedimiento.

De otra manera, efectuar las operaciones siguientes:

2. Regular la tarjeta electrónica de la máquina según el tipo de baterías instaladas (WET o GEL). Seguir las indicaciones siguientes:
 - Poner el conmutador de arranque (18, Fig. B) en posición "0".
 - Abrir el capó (13, Fig. C) y fijarlo mediante la barra de soporte (16, Fig. V).
 - Desconectar el conector (4, Fig. V) de las baterías.
 - Quitar los tornillos (1, Fig. AD) extraer el tablero de control derecho (2).
 - Instalar un conector puente (1, Fig. AE) en el conector WET (2) para las baterías de plomo o en el conector GEL (3) para las baterías de gel.
 - Remontar cuidadosamente el tablero de control (2, Fig. B) y fijarlo con los tornillos (1).
 - Volver a conectar el conector (4, Fig. V) de las baterías.
 - Desenganchar la barra de soporte (16, Fig. V) y cerrar el capó (13, Fig. C).

ANTES DE LA PUESTA EN MARCHA DE LA MÁQUINA

1. Comprobar que no hay portillos/capó abiertos y que la máquina funcione normalmente.
2. Si no se ha todavía usado la máquina después de la entrega, comprobar que todos los sistemas de bloqueo utilizados para el transporte se hayan quitados.

PUESTA EN MARCHA Y PARADA DE LA MÁQUINA

Puesta en marcha

- Asentarse en el asiento de conducción (27, Fig. B) y, mediante la palanca (23), ajustar la posición longitudinal del asiento para obtener la posición más confortable.
- Desbloquear el volante (10, Fig. B) mediante la empuñadura (11) e inclinarlo para obtener una posición confortable; después del ajuste, soltar la empuñadura (11) y desplazar un poco el volante para que el retén interior se enganche.
- Colocar la llave en el conmutador de arranque (18, Fig. B); girarlo en posición "I", sin pisar el pedal (20), luego esperar (unos segundos) que el visualizador (5, Fig. B) se encienda y aparezcan las horas de trabajo.
Comprobar que el indicador luminoso verde (9, Fig. B) se encienda.
- Si se enciende el indicador luminoso rojo o amarillo (7 o 8, Fig. B) poner el conmutador de arranque en posición "0" y quitar la llave. Cargar las baterías (véase el capítulo Mantenimiento).



NOTA

El asiento (27, Fig. B) está equipado de un sensor de seguridad, que permite el funcionamiento de la máquina sólo si el operador está sentado en el asiento de conducción.

- Soltar el freno de estacionamiento pisando el pedal (26, Fig. B) y desbloqueando la palanca (19).
- Llegar al lugar de trabajo, conduciendo la máquina con las manos sobre el volante (10, Fig. B); pisar el pedal (20) en la parte delantera para la marcha adelante y en la parte trasera para la marcha atrás. La velocidad de marcha se puede ajustar de cero a su valor máximo, según la presión aplicada al pedal.
- Bajar el cepillo principal mediante la palanca (24, Fig. B), luego activar el sistema de aspiración mediante la palanca (17, Fig. B).
- Bajar el cepillo lateral derecho mediante la palanca (21, Fig. B).
- Bajar el cepillo lateral izquierdo mediante la palanca (22, Fig. B).



NOTA

Todos los cepillos (10, 11, 12, Fig. C) pueden bajar o subir aún si la máquina se mueve.
Cuando están levantados, los cepillos no giran.
Cuando el cepillo principal está levantado, el sistema de aspiración no funciona.

- Para barrer, poner en marcha la máquina con las manos sobre el volante (10, Fig. B) y pisando el pedal (20).

Parada de la máquina

- Parar la máquina soltando el pedal (20, Fig. B). Para parar la máquina rápidamente, pisar también el pedal del freno de servicio (26, Fig. B). Para apagar la máquina en caso de emergencia, pulsar el pulsador de emergencia (12, Fig. B). Para desactivar el pulsador de emergencia (12) después de haberlo pulsado, girarlo en la dirección indicada por la flecha sobre el pulsador mismo.
- Poner el conmutador de arranque (18, Fig. B) en posición "0" y quitar la llave.
- Activar el freno de estacionamiento pisando el pedal (26, Fig. B) y activando la palanca (19).

MÁQUINA EN FUNCIÓN

- Evitar que los cepillos sigan funcionando durante demasiado tiempo mientras que la máquina está parada en un punto: la máquina podría dejar signos en el suelo.
- Para recoger residuos ligeros y voluminosos, levantar la puerta abatible pisando el pedal (25, Fig. B); tener en cuenta que por todo el tiempo de subida de la puerta abatible delantera, la capacidad de aspiración de la máquina disminuye.



¡ATENCIÓN!

Si se utiliza la máquina sobre suelos mojados, es necesario desactivar la aspiración mediante la palanca (17, Fig. B) para proteger el filtro de polvos.

- Para que la máquina funcione correctamente es necesario que el filtro de polvos sea lo más limpio posible. Para limpiarlo durante el trabajo, efectuar el procedimiento siguiente:
 - levantar el cepillo principal mediante la palanca (24, Fig. B) para desactivar la aspiración;
 - pulsar repetidamente el pulsador del sacudidor del filtro (14, Fig. B);
 - bajar el cepillo principal para activar de nuevo la aspiración y reempezar el trabajo. Repetir el procedimiento cada diez minutos durante el trabajo (sobre la base de la cantidad de polvo presente en el ambiente que se debe limpiar).



NOTA

Esta operación puede efectuarse también cuando la máquina está en movimiento.



NOTA

Cuando el filtro de polvos está obstruido y/o el cajón de residuos está lleno, la máquina no puede más recoger polvo y residuos.

- El cajón de residuos (4, Fig. C) debe vaciarse después de cada período de trabajo y cada vez que está lleno.

VACIADO DEL CAJÓN DE RESIDUOS

1. La altitud máxima de vaciado es 1.380 mm (54,3 in) (véase Fig. U).
2. Para descargar el cajón de residuos, conducir la máquina cerca del tanque de recolección de la basura y efectuar el procedimiento siguiente:
 - levantar los cepillos laterales y principal;
 - desactivar el sistema de aspiración mediante la palanca (17, Fig. B);
 - pulsar el pulsador del sacudidor del filtro (14, Fig. B).



¡ATENCIÓN!
Efectuar siempre este procedimiento sobre un suelo llano para evitar que la máquina se desequilibre.



¡ATENCIÓN!
Durante el levantamiento y el vaciado del cajón de residuos (4, Fig. C), tener el freno de estacionamiento activado mediante el pedal y la palanca (26 y 19, Fig. B).

3. Alejar las personas de la máquina, especialmente del cajón de residuos (4, Fig. C).
4. Pulsar el pulsador de asenso (1, Fig. B) y el pulsador de subida (15) para levantar el cajón de residuos (1, Fig. T) hasta la posición deseada.
5. Pulsar el pulsador de asenso (1, Fig. B) y el pulsador de vuelco (16, Fig. B) del cajón de residuos (2, Fig. U) y descargar todos los residuos en el tanque de recolección (1, Fig. U).



¡ADVERTENCIA!
Es posible volcar el cajón de residuos (2, Fig. U) sólo después de haberlo levantado a la altitud mínima de 270 mm (10,6 in).

6. Pulsar el pulsador de asenso (1, Fig. B) y contemporáneamente el pulsador de vuelco (16, Fig. B) del cajón de residuos y volver el cajón de residuos en posición horizontal.
7. Para bajar el cajón de residuos, pulsar el pulsador de asenso (1, Fig. B) y el pulsador de bajada (15) del cajón de residuos.



¡ADVERTENCIA!
No es posible volcar el cajón de residuos si no está en posición horizontal.

8. La máquina está lista para empezar de nuevo a barrer.

DESPUÉS DE LA UTILIZACIÓN DE LA MÁQUINA

Cuando el trabajo está acabado, antes de alejarse de la máquina:

- Levantar el cepillo principal mediante la palanca (24, Fig. B).
- Levantar los cepillos laterales mediante las palancas (21 y 22, Fig. B).
- Desactivar el sistema de aspiración mediante la palanca (17, Fig. B), luego pulsar brevemente el pulsador del sacudidor del filtro (14, Fig. B) y activar de nuevo el sistema de aspiración.
- Vaciar el cajón de residuos (4, Fig. C) (véase el párrafo antecedente).
- Sacar la llave del conmutador de arranque (18, Fig. B).
- Activar el freno de estacionamiento pisando el pedal (26, Fig. B) y activando la palanca (19).

AJUSTE DE LA LUZ DE TRABAJO

Si es necesario ajustar la orientación de la luz de trabajo (9, Fig. C), actuar sobre los tornillos (22).

PERIODO DE LARGA INACTIVIDAD DE LA MÁQUINA

Si se piensa que la máquina no va a ser utilizada durante 30 días o más, seguir las indicaciones siguientes:

- Dejar la máquina en un lugar seco y limpio.
- Desconectar el conector de las baterías (4, Fig. V).

PRIMER PERIODO DE UTILIZACIÓN

Después del primer período de utilización (primeras 8 horas) es necesario controlar que los elementos de fijación y conexión estén correctamente instalados, que las partes visibles no estén dañadas y que no haya desgarres.

MANTENIMIENTO

Un mantenimiento cuidadoso y continuo garantiza la vida útil y la seguridad de funcionamiento de la máquina. El esquema siguiente resume el mantenimiento programado. Los períodos indicados pueden variar según las condiciones de trabajos, que el encargado del mantenimiento debe establecer.



¡ATENCIÓN!

Estos procedimientos deben efectuarse con la máquina apagada, la llave sacada del conmutador de arranque y (si necesario) la batería desconectada.

Además, leer cuidadosamente todas las instrucciones del capítulo Seguridad.

Todas las operaciones de mantenimiento programado o extraordinario deben ser realizadas por el personal calificado o por un Centro de asistencia autorizado.

En este Manual se detallan sólo los procedimientos de mantenimiento más sencillos y frecuentes.



NOTA

Para las operaciones de mantenimiento no indicadas en el esquema de mantenimiento programado, véase el Manual de taller, disponible en los Centros de asistencia.

ESQUEMA DE MANTENIMIENTO PROGRAMADO

Operación de mantenimiento	Al momento de la entrega	Cada 10 horas	Cada 50 horas	Cada 100 horas	Cada 200 horas	Cada 400 horas
Control nivel líquido batería		(1)				
Control nivel aceite hidráulico sistema de subida cajón de residuos			(1)			
Control visual y tensión correa entre motor y cepillo principal				(*)		
Control altura y funcionamiento puertas abatibles						
Control altura cepillo laterales y principal						
Limpieza filtro de bastidor y control de la integridad						
Limpieza filtro de bolsas y control de la integridad						
Control funcionamiento sacudidor del filtro			(*)			
Ajuste de frenos				(*)		
Control torsión tuercas y tornillos				(*) (2)		
Control tensión y limpieza cadena ruedas de tracción			(*)			
Limpieza cadena de la dirección				(*)		
Control integridad tubo flexible de aspiración				(*)		
Sustitución correa entre polea y cepillo principal					(*)	
Sustitución correa en V entre motor y polea cepillo principal					(*)	
Control integridad junta cajón de residuos					(*)	
Control ajuste microinterruptor de control posición levantada cajón de residuos					(*)	
Control ajuste microinterruptor de control posición horizontal cajón de residuos					(*)	
Control y sustitución escobillas de carbón motor						(*)
Sustitución del aceite hidráulico						(*) (3)

(*): para el procedimiento relacionado, véase el Manual de taller.

(1): o antes del arranque.

(2): y después de las primeras 8 horas de rodaje.

(3): sustituir el aceite hidráulico por primera vez después de 500 horas, luego después de 2.000 horas o cada año.

CONTROL Y AJUSTE DE LA ALTURA DEL CEPILLO PRINCIPAL



NOTA

Hay cepillos con cerdas más o menos duras. Este procedimiento es aplicable por cada uno de estos tipos.

1. Controlar la altura del cepillo principal mediante el procedimiento siguiente:
 - Conducir la máquina sobre un suelo llano.
 - Parar la máquina en un punto y dejar que el cepillo principal gire durante unos segundos.
 - Parar y levantar el cepillo principal, luego desplazar la máquina.
 - Controlar que la huella (1, Fig. D) dejada por el cepillo principal por toda su largura sea de 20 a 40 mm (0,79 - 1,57 in).

Sólo en el caso de que la huella (1) sea diferente, efectuar el ajuste de la altura del cepillo, según las indicaciones de los pasos siguientes.
2. Apagar la máquina poniendo el conmutador de arranque (18, Fig. B) en posición "0".



¡ATENCIÓN!

Antes de abrir el portillo izquierdo (5, Fig. C) es siempre indispensable apagar la máquina para evitar que las correas y las poleas sigan moviéndose.

3. Desenganchar el retén (6, Fig. C) tras haber quitado el tornillo mediante un destornillador.
4. Abrir el portillo izquierdo (5, Fig. C).
5. Aflojar la contratuerca (2, Fig. E).
6. Girar la empuñadura (1, Fig. E) teniendo en cuenta que:
 - enroscándola la presión del cepillo al suelo aumenta;
 - desenroscándola la presión del cepillo al suelo aumenta.



NOTA

Cuando la empuñadura está desenroscada por completo, se ha llegado a la máxima presión al suelo del cepillo.

7. Apretar la contratuerca (2, Fig. E).
8. Llevar a cabo de nuevo el paso 1 para controlar que la altura del cepillo principal sea correctamente ajustada.
9. Si el cepillo está demasiado consumado no se puede ajustar más, sustituir el cepillo como indicado en el párrafo siguiente.
10. Enganchar el retén (6) y cerrar el portillo izquierdo (5, Fig. C).



NOTA

Si no es posible ajustar correctamente la huella (1, Fig. D), porque el cepillo aplica una presión demasiado diferente a las dos extremidades de su longitud, consultar el Manual de taller para el procedimiento de ajuste relacionado.

SUSTITUCIÓN DEL CEPILLO PRINCIPAL



NOTA

Hay cepillos con cerdas más o menos duras. Este procedimiento es aplicable por cada uno de estos tipos.



¡ADVERTENCIA!

Durante la sustitución del cepillo principal se aconseja utilizar guantes por que residuos cortantes podrían estar encastrados en las cerdas.

1. Conducir la máquina sobre un suelo llano y activar el freno de estacionamiento mediante el pedal y la palanca (26 y 19, Fig. B).
2. Poner el conmutador de arranque (18, Fig. B) en posición "0".
3. Abrir el capó (1, Fig. V) y desconectar el conector de la batería (4, Fig. V).
4. Desenganchar el retén (8) y abrir el portillo derecho (7, Fig. C).
5. Desenroscar y quitar las empuñaduras (1, Fig. F).
6. Quitar la tapa del compartimiento del cepillo (1, Fig. G).
7. Quitar el cepillo (1, Fig. H).
8. Comprobar que el cubo arrastrador (1, Fig. I) no esté sucio y que no haya objetos (cuerdas, trapos, etc.) enrollados accidentalmente.
9. Preparar el nuevo cepillo para la instalación, con las filas de cerdas inclinadas como muestra la figura (2, Fig. I).
10. Instalar el nuevo cepillo (3, Fig. I) y asegurarse que la brida (4) esté correctamente colocada sobre el cubo arrastrador (1).
11. Reinstalar la tapa del compartimiento del cepillo (1, Fig. G) y enroscar las empuñaduras (1, Fig. F).
12. Enganchar el retén (8) y cerrar el portillo derecho (7, Fig. C).
13. Llevar a cabo el control y el ajuste de la altura del cepillo principal como indicado en el párrafo anterior.

CONTROL Y AJUSTE DE LA ALTURA DEL CEPILLO LATERAL



NOTA

Hay cepillos con cerdas más o menos duras. Este procedimiento es aplicable por cada uno de estos tipos.

- Controlar la altura de los cepillos laterales mediante el procedimiento siguiente:
 - Conducir la máquina sobre un suelo llano.
 - Parar la máquina en un punto, bajar los cepillos laterales y dejar que giren durante unos segundos.
 - Parar y levantar los cepillos laterales, luego desplazar la máquina.
 - Comprobar que las huellas dejadas por los cepillos laterales sean como indicado en la figura (1 y 2, Fig. J).
Sólo si las huellas son diferentes, efectuar el ajuste de la altura de los cepillos, según las indicaciones del paso siguiente.
- Activar el freno de estacionamiento mediante el pedal y la palanca (26 y 19, Fig. B).
- Poner el conmutador de arranque (18, Fig. B) en posición "0".
- Abrir el capó (13, Fig. C) y fijarlo mediante la barra de soporte (16, Fig. V).
- Para el cepillo lateral derecho**, actuar sobre el reenvío de la palanca (1, Fig. K): Aflojar la virola (2) y ajustar el registro (3) para obtener la huella correcta (1, Fig. J). Instalar el registro, apoyarlo sobre la palanca y bloquearlo en posición con la virola (2, Fig. K).
Para el cepillo lateral izquierdo, actuar sobre el reenvío de la palanca (4, Fig. K): Aflojar la virola (5) y ajustar el registro (6) para obtener la huella correcta (2, Fig. J). Instalar el registro, apoyarlo sobre la palanca y bloquearlo en posición con la virola (5, Fig. K).
- Llevar a cabo de nuevo el paso 1 para controlar que la altura de los cepillos laterales sea correctamente ajustada.
- Si el cepillo está demasiado consumado no se puede ajustar más, sustituir el cepillo como indicado en el párrafo siguiente.



NOTA

Si necesario, es también posible ajustar la inclinación de los cepillos laterales. Para el procedimiento relacionado, véase el Manual de taller.

SUSTITUCIÓN DE LOS CEPILLOS LATERALES



NOTA

Hay cepillos con cerdas más o menos duras. Este procedimiento es aplicable por cada uno de estos tipos.



¡ADVERTENCIA!

Durante la sustitución de los cepillos laterales se aconseja utilizar guantes por que residuos cortantes podrían estar encastrados en las cerdas.

- Conducir la máquina sobre un suelo llano y activar el freno de estacionamiento mediante el pedal y la palanca (26 y 19, Fig. B).
- Poner el conmutador de arranque (18, Fig. B) en posición "0".
- Activar la palanca (21 o 22, Fig. B) para bajar el cepillo lateral relacionado.
- Quitar el tornillo (1, Fig. L) al interior del cepillo lateral, luego quitar el cepillo y el cubo (2) desenganchándolo del eje (3).
Quitar la llave (4) y la arandela (5).
- En la mesa de trabajo, desenroscar los cuatro tornillos y las tuercas (6) y separar el cepillo (8) del cubo (7).
- Instalar el nuevo cepillo (8) sobre el cubo (7) y apretar los tornillos y las tuercas (6).
- Reinstalar el nuevo cepillo y el cubo (2) en la máquina, después de haber colocado la llave (4). Reinstalar la arandela (5) y apretar el tornillo (1).
- Llevar a cabo el control y el ajuste de la altura de los cepillos laterales como indicado en el párrafo precedente.

LIMPIEZA DEL FILTRO DE POLVO DE BASTIDOR Y CONTROL DE LA INTEGRIDAD



NOTA

Además del filtro de papel estándar, hay también filtros de poliéster en opción. Este procedimiento es aplicable por cada uno de estos tipos.

1. Conducir la máquina sobre un suelo llano y activar el freno de estacionamiento mediante el pedal y la palanca (26 y 19, Fig. B).
2. Poner el conmutador de arranque (18, Fig. B) en posición "0".
3. Abrir el capó (13, Fig. C) y fijarlo mediante la barra de soporte (16, Fig. V).
4. Desconectar el conector de las baterías (4, Fig. V). Quitar la tapa del filtro (2, Fig. M) desenganchándola de los retenes (1).
5. Desconectar el conector eléctrico (1, Fig. N) del sacudidor del filtro.
6. Quitar las empuñaduras de fijación (2, Fig. N) del bastidor de soporte del sacudidor del filtro.
7. Quitar el bastidor de soporte (3, Fig. N) del filtro.
8. Sacar el filtro de polvos (4, Fig. N).
9. Al aire libre, limpiar el filtro sacudiéndolo sobre una superficie llana y limpia, batiendo el lado (1, Fig. O) opuesto a el de la redecilla (2). Completar la limpieza mediante un chorro perpendicular de aire comprimido (3) de máximo 6 bar, soplando sólo por el lado protegido por la redecilla (2), desde una distancia mínima de 30 cm.
Según el tipo de filtro utilizado, tener en cuenta las siguientes informaciones:
 - Filtro de papel (estándar): no utilizar agua o detergentes para limpiarlo porque se podría dañar;
 - Filtro de poliéster (opcional): para limpiarlo véase las indicaciones arriba mencionadas. Si necesario, para una limpieza más profunda, se podría limpiar el filtro con agua y un detergente no espumógeno. Se recuerda que, este tipo de limpieza, si bien sea mejor cualitativamente, reduce la duración del filtro que, por consecuencia, tendrá que sustituirse más frecuentemente. El uso de detergentes no adecuados puede dañar el filtro.
10. Limpiar la junta de goma (1, Fig. P) del compartimiento del filtro; además controlar que no esté dañada. En caso contrario, sustituirla.
11. Instalar en el orden contrario a él de la remoción (pasos de 8 a 1).



¡ATENCIÓN!

Cuando se vuelve a instalar el filtro, la redecilla (2, Fig. O) debe estar orientada hacia arriba.

LIMPIEZA DEL FILTRO DE BOLSAS Y CONTROL DE LA INTEGRIDAD



NOTA

Los filtros de bolsas de fibra de poliéster necesitan una limpieza mucho más frecuente mediante el sacudidor eléctrico en dotación a la máquina.

Si necesario, pueden limpiarse mediante el procedimiento siguiente.

Cuando la superficie filtrante está demasiado desgastada, es necesario sustituir el filtro.

1. Conducir la máquina sobre un suelo llano y activar el freno de estacionamiento mediante el pedal y la palanca (26 y 19, Fig. B).
2. Poner el conmutador de arranque (18, Fig. B) en posición "0".
3. Abrir el capó (13, Fig. C) y fijarlo mediante la barra de soporte (16, Fig. V).
4. Quitar la tapa del filtro (2, Fig. M) desenganchándola de los retenes (1).
5. Desenroscar las empuñaduras (1, Fig. AA) y quitar los estribos (2).
6. Sacar el filtro de polvos (1, Fig. AB) y quitarlo después de haber desconectado el conector eléctrico (2) del sacudidor del filtro.
7. Desmontar la superficie filtrante de poliéster de la forma siguiente, teniendo en cuenta que este procedimiento debe efectuarse al aire libre y que el Operador encargado de la limpieza debe estar equipado de guantes, máscara y gafas de protección
8. Quitar el motor del sacudidor del filtro (1, Fig. AC) desenroscando los dos tornillos de fijación.
9. Abrir por completo el conjunto del soporte del motor del sacudidor del filtro (2, Fig. AC) y desenganchar las barras de tensión (3) de las bolsas filtrantes.
10. Quitar todas las barras de tensión de las bolsas filtrantes (4, Fig. AC).
11. Abrir la cuerda de fijación superior (5, Fig. AC) del filtro de bolsas para permitir su remoción del bastidor superior (6).
12. Quitar el separador interior de las bolsas (7, Fig. AC).
13. Limpiar sólo el lado sucio de la superficie de fibra de poliéster (8, Fig. AC) (con un aspirador exterior) sacándola por completo o limpiándola bolsa por bolsa. Aspirar también ambas superficies del separador de las bolsas (7, Fig. AC) eliminando todos los depósitos eventualmente presentes. Controlar que la superficie filtrante no esté dañada; en caso contrario sustituirla. Es posible utilizar aire comprimido (máx. 6 bares), orientando el aire desde el lado limpio hacia el lado sucio.



¡ATENCIÓN!

No lavar el filtro con agua. La fibra de poliéster podría contraerse dimensionalmente y volverse inutilizable.

14. Instalar todos los componentes en el orden contrario a él de la remoción.
15. Si necesario, limpiar la junta de goma (3, Fig. AB) del compartimiento del filtro y controlar que no esté dañada. En caso contrario, sustituirla.
16. Instalar todos los componentes en el orden contrario a él de la remoción.

CONTROL ALTURA Y FUNCIONAMIENTO DE LAS PUERTAS ABATIBLES

Puerta abatible lateral

1. Llevar la máquina sobre un suelo llano y adecuado para controlar que la altura de las puertas abatibles sea correcta.
2. Activar el freno de estacionamiento mediante el pedal y la palanca (26 y 19, Fig. B).
3. Poner el conmutador de arranque (18, Fig. B) en posición "0".
4. Desenganchar los retenes (8 y 6) y abrir los portillos derecho e izquierdo (7 y 5, Fig. C).
5. Controlar la integridad de la puerta abatible lateral (2, Fig. F).
Sustituir las puertas abatibles cuando hay cortes (1, Fig. Q) más grandes de 20 mm (0,79 in) o rupturas/desgarros (2) más grandes de 10 mm (0,39 in) (para la sustitución de las puertas abatibles véase el Manual de taller).
6. Comprobar que la altura desde el suelo de la puerta abatible lateral (2, Fig. F), sea de 0 a 3 mm (0 – 0,12 in) (Fig. R).
Tras haber aflojado los tornillos (3, Fig. F), si necesario, ajustar la posición de la puerta abatible. Luego enroscar los tornillos (3).

Puertas abatibles delantera y trasera

7. Quitar el cepillo principal según las indicaciones del párrafo relacionado.
8. Controlar la integridad de las puertas abatibles delantera y trasera (1 y 2, Fig. W).
Sustituir las puertas abatibles cuando hay cortes (1, Fig. Q) más grandes de 20 mm (0,79 in) o rupturas/desgarros (2) más grandes de 10 mm (0,39 in) (para la sustitución de las puertas abatibles véase el Manual de taller).
9. Controlar que las puertas abatibles delantera y trasera (1 y 2, Fig. W) arrastren ligeramente contra el suelo y que, de todos modos, no estén desprendidas del suelo (véase figura S).
Tras haber aflojado los tornillos (3, Fig. W), si necesario, ajustar la posición de la puerta abatible. Luego enroscar los tornillos (3).
10. Pisar por completo el pedal de subida de la puerta abatible delantera (25, Fig. B) y controlar que la puerta abatible delantera suba de unos 50 mm (1,97 in). Soltar el pedal y comprobar que la puerta abatible regrese a su posición inicial y no se quede en una posición intermedia. Si necesario, ajustar el cable de subida de la puerta abatible (1, Fig. X), mediante el registro (2), posicionado en el lado delantero izquierdo de la puerta abatible misma (para la sustitución del cable de mando de la puerta abatible delantera, véase el Manual de taller).
11. Instalar todos los componentes en el orden contrario a él de la remoción.

CONTROL NIVEL ACEITE HIDRÁULICO SISTEMA DE SUBIDA CAJÓN DE RESIDUOS



¡ADVERTENCIA!

Este control debe efectuarse con el cajón de residuos (4, Fig. C) completamente retirado (como en la figura).

1. Activar el freno de estacionamiento mediante el pedal y la palanca (26 y 19, Fig. B).
2. Abrir el capó (1, Fig. V) y fijarlo mediante la barra de soporte (16, Fig. V).
3. Comprobar que el nivel del aceite hidráulico en el depósito (14, Fig. V) esté entre las muescas de MIN (nivel mínimo) y MAX (nivel máximo) (como indicado en la figura Y).
4. Si necesario, añadir aceite hidráulico - grado de viscosidad 32 cSt - a través del tapón (1, Fig. Y).
5. Desenganchar la barra de soporte (16, Fig. V) y cerrar el capó (1, Fig. V).

CARGA DE LAS BATERÍAS



¡ATENCIÓN!

Cargando las baterías se produce gas hidrógeno explosivo. Cargar las baterías sólo en áreas bien ventiladas y lejos de llamas libres.

No fumar cuando se cargan las baterías. Tener el capó abierto mientras que se cargan las baterías.



¡ATENCIÓN!

Tener cuidado mientras que se cargan las baterías por que el líquido de baterías podría sobresalir. Este líquido es corrosivo. Si entra en contacto con la piel o los ojos lavar a conciencia con agua y consultar un médico.

1. Conducir la máquina sobre un suelo llano y activar el freno de estacionamiento mediante el pedal y la palanca (26 y 19, Fig. B).
2. Poner el conmutador de arranque (18, Fig. B) en posición "0".
3. Abrir el capó (13, Fig. C) y fijarlo mediante la barra de soporte (16, Fig. V).
4. Controlar el nivel de electrolito en las baterías; si necesario rellenar mediante los tapones (3, Fig. V). Dejar todos los tapones (3) abiertos para la recarga siguiente.
Limpiar, si necesario, la superficie superior de las baterías.
5. Controlar que el cargador de batería sea adecuado. Haga referencia a sus manual de instrucciones. La tensión nominal del cargador de batería es de 24V.
El cargador de batería debe ser adecuado para el tipo de batería instalado en la máquina.

6. Desconectar el conector de las baterías (4, Fig. V) y conectarlo al cargador de batería exterior.
7. Conectar el cargador de batería a la red eléctrica y cargar las baterías.
8. Cuando la batería está cargada, desconectar el cargador de batería de la red eléctrica y del conector de las baterías (4, Fig. V).
9. Controlar el nivel de electrolito en las baterías y cerrar los tapones (3, Fig. V).
10. Volver a conectar el conector de las baterías (4, Fig. V) a la máquina
11. Desenganchar la barra de soporte (16, Fig. V) y cerrar el capó (13, Fig. C); ahora la máquina se puede utilizar.

FUNCIONES DE SEGURIDAD

La máquina está equipada de las siguientes funciones de seguridad.

INTERRUPTOR DE ASENSO MARCHA

Permite que la máquina se ponga en marcha solo cuando el Operador está correctamente sentado en el asiento de conducción (27, Fig. B).

PULSADOR DE EMERGENCIA

Se encuentra en la posición 12, Fig. B, fácilmente accesible por el operador; debe pulsarse en caso de necesidad inmediata para parar completamente la máquina.

PULSADOR DE ASENSO SUBIDA/BAJADA DEL CAJÓN DE RESIDUOS

Esta en la posición 1, Fig. B y debe mantenerse pulsado para activar los pulsadores de subida/bajada y vuelco del cajón de residuos.

VÁLVULA DE SEGURIDAD DEL CILINDRO DE SUBIDA DEL CAJÓN DE RESIDUOS

Se encuentra sobre el cilindro de subida del cajón de residuos.
Causa la parada del cajón de residuos en la posición en la que se encuentra (sin posibilidad de bajarse por accidente) en caso de ruptura de la tubería del sistema hidráulico que alimenta el cilindro de subida.

BÚSQUEDA AVERÍAS

AVERÍA	SOLUCIÓN
El visualizador no se enciende y la máquina no funciona después de haber puesto el conmutador de arranque (18, Fig. B) en posición "I".	Controlar que el conector de las baterías (4, Fig. V) esté correctamente conectado a la máquina.
	Controlar la integridad de los siguientes fusibles: F1 (1, Fig. Z) y F0 (2, Fig. Z)
Pisando el pedal del acelerador la máquina no se mueve.	Poner el conmutador de arranque en posición "0", luego en posición "I", teniendo cuidado de no pisar el pedal del acelerador durante esta operación.
El cepillo principal no funciona	Controlar que el fusible térmico relacionado (5, Fig. V) no esté desactivado; si necesario reactivarlo pulsando la tecla relacionada.
Los cepillos laterales no funcionan	Controlar que el fusible térmico relacionado (6 o 7, Fig. V) no esté desactivado; si necesario reactivarlo pulsando la tecla relacionada.
La máquina funciona sólo cuando está parada en un punto, si se intenta moverla se apaga y el indicador luminoso rojo se enciende	Recargar las baterías. Si el problema sigue existiendo, sustituir las baterías.
La máquina recoge pocos residuos/polvo	Controlar que el filtro de polvos (4, Fig. N) no esté obstruido.
	Controlar que el cajón de residuos (4, Fig. C) no esté lleno.
	Controlar que las puertas abatibles (16, 17, 18, 19, Fig. C) no estén dañadas o incorrectamente ajustadas.
	Controlar la altura de los cepillos (10, 11, 12, Fig. C)
La autonomía de las baterías es escasa	Instalar una batería de capacidad mayor: (240 Ah)
El cajón de residuos no sube	Controlar la integridad del fusible (F2, Fig. Z)
El cajón de residuos no se vuelca	Controlar la integridad del fusible (F3, Fig. Z)
	Controlar que el cajón de residuos esté levantado del suelo a una altura mayor de 270 mm (10,6 in)
El cajón de residuos no se baja	Antes de bajar el cajón de residuos pulsando el pulsador de asenso (15, Fig. B), controlar que el cajón de residuos esté en posición horizontal (16, Fig. B).
El sacudidor del filtro no funciona	Activar la palanca (24, Fig. B) para controlar que el cepillo principal esté levantado.
	Controlar la integridad del fusible (F4, Fig. Z)

Para informaciones suplementarias consultar el Manual de taller cerca de los Centros de asistencia Nilfisk.

ELIMINACIÓN

Eliminar la máquina cerca de un demoledor calificado.
Antes de eliminar la máquina es necesario quitar los siguientes componentes:

- Batería
- Filtro de polvos de poliéster
- Cepillos principal y laterales
- Aceite hidráulico
- Filtro del aceite hidráulico
- Tarjetas electrónicas
- Tuberías y componentes de plástico



¡ADVERTENCIA!

Recoger y eliminar los componentes quitados de la máquina según las actuales normas de higiene ambiental.

INTRODUCTION	2
BUT ET CONTENU DU MANUEL	2
DESTINATAIRES	2
CONSERVATION DU MANUEL	2
DONNEES D'IDENTIFICATION	2
AUTRES MANUELS DE REFERENCE	2
PIECES DE RECHANGE ET ENTRETIEN	2
MODIFICATIONS ET AMELIORATIONS	2
SECURITE	2
SYMBOLES UTILISES	2
INSTRUCTIONS GENERALES	3
DEBALLAGE	4
DESCRIPTION DE LA MACHINE	4
CAPACITES OPERATIONNELLES DE TERRA™ 5200B	4
CONVENTIONS	4
DESCRIPTION	4
CARACTERISTIQUES TECHNIQUES	5
FUSIBLES	6
ACCESSOIRES/OPTIONS	6
UTILISATION	6
CONTROLE/PREPARATION DES BATTERIES SUR UNE MACHINE NOUVELLE	6
INSTALLATION DES BATTERIES ET ETABLISSEMENT DES BATTERIES WET OU GEL	7
AVANT LA MISE EN MARCHÉ DE LA MACHINE	7
MISE EN MARCHÉ ET ARRÊT DE LA MACHINE	8
MACHINE AU TRAVAIL	8
VIDAGE DU CONTENEUR DECHETS	9
APRES L'UTILISATION DE LA MACHINE	9
REGLAGE DU PHARE DE TRAVAIL	9
INACTIVITE PROLONGEE DE LA MACHINE	9
PREMIERE PERIODE D'UTILISATION	9
ENTRETIEN	10
PLAN RECAPITULATIF D'ENTRETIEN PROGRAMME	10
CONTROLE ET REGLAGE DE LA HAUTEUR DE LA BROSSE CENTRALE	11
REPLACEMENT DE LA BROSSE CENTRALE	11
CONTROLE ET REGLAGE DE LA HAUTEUR DES BROSSES LATERALES	12
REPLACEMENT DES BROSSES LATERALES	12
NETTOYAGE DU FILTRE POUSSIERES A CADRE ET CONTROLE INTEGRITE	13
NETTOYAGE DU FILTRE POUSSIERES A POCHE ET CONTROLE INTEGRITE	13
CONTROLE DE LA HAUTEUR ET DU FONCTIONNEMENT DES VOLETS	14
CONTROLE DU NIVEAU DE L'HUILE HYDRAULIQUE DU SYSTEME DE SOULEVEMENT DU CONTENEUR DECHETS	14
CHARGEMENT DES BATTERIES	14
FONCTIONS DE SECURITE	15
INTERRUPTEUR DE MARCHÉ	15
BOUTON-POUSSOIR D'URGENCE	15
BOUTON-POUSSOIR DE CONFIRMATION DE SOULEVEMENT/ABAISSMENT	15
CONTENEUR DECHETS	15
SOUPAPE DE SECURITE DU CYLINDRE DE SOULEVEMENT DU CONTENEUR DECHETS	15
DEPISTAGE DES PANNES	15
MISE EN DECHARGE	16

INTRODUCTION

BUT ET CONTENU DU MANUEL

Ce manuel se propose de fournir au client toutes les informations nécessaires afin qu'il puisse utiliser la machine correctement et la gérer de la manière la plus autonome et sûre. Il comprend des informations relatives à l'aspect technique, le fonctionnement, l'arrêt de la machine, l'entretien, les pièces de rechange et la sécurité. Avant d'effectuer toute opération sur la machine, les opérateurs et les techniciens chargés de l'entretien doivent lire attentivement ce manuel. En cas de doutes sur la correcte interprétation des instructions, contacter le fabricant pour avoir plus de renseignements.

DESTINATAIRES

Ce manuel s'adresse à l'opérateur aussi bien qu'aux techniciens préposés à l'entretien de la machine. Les opérateurs ne doivent pas exécuter les opérations réservées aux techniciens qualifiés. Le fabricant ne répond pas des dommages dus à l'inobservance de cette interdiction.

CONSERVATION DU MANUEL

Le manuel doit être gardé près de la machine, dans une enveloppe spéciale et, surtout, loin de liquides et de tout ce qui pourrait en compromettre l'état de lisibilité.

DONNEES D'IDENTIFICATION

Le modèle et le numéro de série de la machine peuvent être trouvés sur la plaque (28, Fig. B) placée sur la colonne de direction et lisible de l'extérieur. L'année de fabrication de la machine est indiquée après le code de la date sur le numéro de série de la machine (A04 signifie janvier 2004).

Ces informations sont nécessaires lors de la commande des pièces de rechange de la machine. Utiliser l'espace ci-dessous pour noter les données d'identification de la machine pour une référence future.

Modèle MACHINE

Numéro de série de la MACHINE.....

AUTRES MANUELS DE REFERENCE

- Catalogue de pièces de rechange, livré avec la machine.
- Manuel d'entretien consultable auprès des Services après-vente Nilfisk-Advance.

PIECES DE RECHANGE ET ENTRETIEN

Pour toute nécessité concernant le fonctionnement, l'entretien et les réparations, si nécessaires, il faut s'adresser au personnel qualifié ou directement aux Services après-vente Nilfisk-Advance. Il ne faut utiliser que de pièces de rechange et accessoires originaux. Pour l'assistance ou la commande de pièces de rechange et accessoires, contacter Nilfisk-Advance en spécifiant toujours le modèle et le numéro de série.

MODIFICATIONS ET AMELIORATIONS

Notre entreprise vise à un constant perfectionnement de ses produits et se réserve le droit d'effectuer des modifications et des améliorations, si nécessaires, sans l'obligation de sa part de modifier les machines déjà vendues.

Il est entendu que toute modification et/ou addition d'accessoires doit toujours être approuvée et réalisée par le fabricant.

SECURITE

Les symboles suivants signalent les conditions de danger potentielles. Lire toujours ces informations avec attention et prendre les précautions nécessaires pour protéger les personnes et les choses.

Pour éviter tout accident la collaboration de l'opérateur de la machine est essentielle. Aucun programme de prévention des accidents du travail ne peut être efficace sans la totale collaboration de la personne directement responsable du fonctionnement de la machine. La plupart des accidents qui peuvent survenir dans une entreprise, pendant le travail ou les déplacements, sont dus à l'inobservance des plus simples règles de prudence. Un opérateur attentif et prudent est la meilleure garantie contre les accidents du travail et se révèle indispensable pour compléter n'importe quel programme de prévention.

SYMBOLES UTILISES



DANGER !

Indique une situation dangereuse exposant l'opérateur au risque de blessures graves, voire mortelles.



ATTENTION !

Indique une situation exposant les personnes au risque de blessures.



AVERTISSEMENT !

Indique un avertissement ou une remarque sur des fonctions clé ou utiles. Prêter la plus grande attention aux segments de texte marqués par ce symbole.



CONSULTATION

Le manuel doit être consulté avant toute opération.

INSTRUCTIONS GENERALES

Les avertissements et précautions spécifiques suivants informent sur les risques potentiels de blessures ou de dommages matériels.



DANGER !

- Pour effectuer toute opération d'entretien/réparation, porter la clé de mise en marche de la machine sur OFF et débrancher la batterie.
- Cette machine doit être utilisée exclusivement par un personnel qualifié et autorisé. L'utilisation de la machine est interdite aux enfants et aux personnes handicapées.
- Tenir les étincelles, les flammes et la fumée à distance de la batterie. Des gaz potentiellement explosifs fuient pendant l'utilisation ordinaire.
- Ne pas porter de bijoux lorsqu'on travaille près de composants électriques.
- Ne pas travailler sous la machine soulevée, sans des supports fixes de sécurité convenables.
- Lorsqu'on travaille sous le coffre ouvert, s'assurer que le coffre ne se ferme pas accidentellement.
- Ne pas opérer avec cette machine en présence de poudres, liquides ou vapeurs nuisibles, dangereux, inflammables et/ou explosifs.
- En chargeant les batteries un gaz hydrogène explosif est produit. Garder le coffre ouvert pendant le cycle de rechargement des batteries et effectuer l'opération exclusivement en milieu bien aérés et loin de flammes libres.
- L'humidité doit être comprise entre 30% et 95%.
- Protéger toujours la machine du soleil, de la pluie et d'autres intempéries, pendant le fonctionnement et en état d'arrêt.
- La machine ne peut pas être utilisée pour le déplacement d'objets et/ou de charge par remorquage ou poussée. Ne pas utiliser la machine comme moyen de transport ; la capacité maximum de la machine est de 110 kg (242,5 lb), le poids de l'opérateur non inclus.
- Ne pas faire travailler les brosses lorsque la machine est arrêtée pour ne pas endommager le sol.
- En cas d'incendie utiliser un extincteur à poudre. Ne pas utiliser d'eau.
- Ne pas heurter contre des étagères ou des échafaudages, en particulier en présence de danger de chute d'objets.
- Adapter la vitesse d'utilisation aux conditions d'adhérence.
- Cette machine n'est pas approuvée pour l'utilisation sur les rues publiques.
- Ne pas altérer pour aucune raison les protections prévues pour la machine, respecter scrupuleusement les instructions prévues pour l'entretien programmé.
- Ne pas enlever ou altérer les plaques placées sur la machine par le fabricant.
- S'assurer que les éventuelles anomalies de fonctionnement de la machine ne dépendent pas du manque d'entretien.



ATTENTION !

- Avant d'effectuer toute opération d'entretien/réparation, lire avec attention toutes les instructions pertinentes.
- Prendre les précautions convenables afin que les cheveux, les bijoux, les parties non adhérentes des vêtements ne soient pas capturés par les parties en mouvement de la machine.
- Ne pas fumer pendant le chargement des batteries.
- Ne pas laisser la machine sans surveillance sans retirer la clé de mise en marche et sans s'assurer que la machine ne peut pas bouger de façon autonome.
- Ne pas utiliser sur des surfaces dont le gradient est supérieur au gradient indiqué sur la machine.
- Ne pas laver la machine avec des jets d'eau directs ou sous pression ou avec des substances corrosives. Ne pas utiliser de l'air sous pression pour nettoyer ce type de machine, à l'exception des filtres (voir paragraphe spécifique).
- Pendant l'utilisation de cette machine, faire attention à sauvegarder l'intégrité des personnes, en particulier des enfants.
- Ne pas poser de conteneurs de liquides sur la machine.
- La température de stockage doit être comprise entre 0°C et +40°C (+32°F et +104°F).
- La température d'utilisation doit être comprise entre 0°C et +40°C (+32°F et +104°F).
- En cas contraire demander l'intervention de personnel autorisé ou du Service après-vente.
- En cas de remplacement de pièces, demander les pièces de rechange D'ORIGINE à un concessionnaire ou revendeur agréé.
- Afin de garantir la sécurité et le bon fonctionnement de la machine, faire effectuer l'entretien programmé prévu par le chapitre spécifique de ce manuel par le personnel autorisé ou par un Service après-vente autorisé.
- La machine ne doit pas être abandonnée lors de la mise en décharge, à cause de la présence de matériaux toxiques (batteries, huiles, matériaux plastiques etc.), sujets à des lois qui prévoient l'écoulement auprès de centres spéciaux (voir le chapitre Mise en décharge).
- En conditions d'emploi conformes aux indications d'utilisation correcte, les vibrations ne provoquent pas de situations de danger. Le niveau de vibrations de la machine est inférieur à 2,5 m/s² (2,7 yd/s²) (EN 1032-96/A1-98).
- Ne pas incliner la machine de plus de 30° depuis l'horizontale, car cela pourrait provoquer des pertes d'acide très corrosif des batteries. S'il faut incliner la machine pour effectuer des opérations d'entretien, déposer les batteries.

DEBALLAGE

Lors de la livraison de la machine, contrôler attentivement que l'emballage et la machine n'ont pas été endommagés pendant le transport. Si le dommage est évident, garder l'emballage de façon qu'il puisse être examiné par le transporteur qui l'a livré. Contacter immédiatement le transporteur pour remplir une demande de dommages-intérêts.

Contrôler que les composants suivants se trouvent toujours avec votre machine :

Documentation technique :

- Mode d'emploi et d'entretien
- Catalogue de pièces de rechange
- N.1 150A (FO) fusible général
- Connecteur de batteries

DESCRIPTION DE LA MACHINE

CAPACITES OPERATIONNELLES DE TERRA™ 5200B

La balayeuse Terra™ 5200B est utilisée pour le balayage de poussières et débris légers sur de sols lisses et solides, en milieux civils et industriels, en conditions de complète sécurité, par un opérateur qualifié.

CONVENTIONS

Toutes les références à en avant, en arrière, avant, droite, gauche ou arrière doivent être considérées comme référées à l'opérateur assis dans le siège de conduite (23, Fig. B).

DESCRIPTION

Zone de contrôle (Voir Fig. B)

1. Bouton-poussoir de confirmation de soulèvement/abaissement conteneur déchets
2. Bouton-poussoir avertisseur acoustique
3. Bouton-poussoir phare de travail (optionnel)
4. Position pour bouton-poussoir optionnel (feu tournant)
5. Afficheur
6. Bouton-poussoir de sélection sur l'afficheur pour les opérations suivantes, en séquence :
 - Heures de travail
 - Dernier chiffre des heures - (point) - minutes
 - Tension batteries (V)
7. Témoin lumineux de batterie déchargée (rouge)
8. Témoin lumineux de batterie presque complètement déchargée (jaune)
9. Témoin lumineux de batterie chargée (vert)
10. Volant
11. Bouton de réglage inclinaison volant
12. Bouton-poussoir d'arrêt d'urgence
13. Position pour bouton-poussoir optionnel
14. Bouton-poussoir secoueur
15. Bouton-poussoir de soulèvement/abaissement conteneur déchets
16. Bouton-poussoir de renversement conteneur déchets
17. Levier d'ouverture/fermeture aspiration
18. Commutateur de démarrage
19. Levier de contrôle frein de stationnement (avec la pédale 26)
20. Pédale de marche avant et arrière
21. Levier de soulèvement/abaissement brosse droite
22. Levier de soulèvement/abaissement brosse gauche
23. Levier de réglage position longitudinale siège
24. Levier de soulèvement/abaissement brosse centrale
25. Pédale volet avant
26. Pédale frein de service (frein de stationnement avec le levier 19)
27. Siège de conduite avec microinterrupteur de sécurité
28. Plaque avec numéro de série/données techniques

Vues extérieures générales (Voir Fig. C)

3. Couverture filtre poussières
4. Conteneur déchets
5. Portillon ouvrant gauche
6. Dispositif de retenue avec vis portillon gauche
7. Portillon ouvrant droit
8. Dispositif de retenue portillon droit
9. Phare de travail (optionnel)
10. Brosse latérale droite
11. Brosse latérale gauche
12. Brosse centrale
13. Coffre logement de batterie
14. Roues de traction arrière sur axe fixe
15. Roue avant pivotante
16. Volet latéral gauche
17. Volet latéral droit
18. Volet avant
19. Volet arrière
20. Conteneur filtre poussières
21. Feu tournant (toujours en fonction si le commutateur de démarrage est sur "I")
22. Vis de réglage phare de travail

Logement sous le coffre (Voir Fig. V)

1. Coffre (ouvert)
2. Batterie
3. Bouchons de batteries
4. Connecteur de batteries
5. Fusible restaurable thermique moteur brosse centrale
6. Fusible restaurable thermique moteur brosse droite
7. Fusible restaurable thermique moteur brosse gauche
8. Boîte fusibles lamellaires
9. Moteur brosse centrale/aspiration
10. Ventilateur aspiration
11. Moteur électrique traction
12. Boîte électrique
13. Carte électronique traction
14. Réservoir huile hydraulique système de soulèvement conteneur déchets
15. Schéma d'installation batterie
16. Tige de blocage coffre
17. Etrier tige de fixation compartiment sous-siège

CARACTERISTIQUES TECHNIQUES

Caractéristiques générales	Valeurs
Largeur de nettoyage (avec une brosse latérale)	1.049 mm (41,3 in)
Largeur de nettoyage (avec deux brosses latérales)	1.310 mm (51,6 in)
Longueur machine	1.752 mm (69,0 in)
Largeur machine (avec une brosse latérale)	1.206 mm (47,5 in)
Largeur machine (avec deux brosses latérales)	1.310 mm (51,6 in)
Hauteur maximum au volant	1.351 mm (53,2 in)
Hauteur minimum du sol (volets non compris)	58,42 mm (2,3 in)
Hauteur maximum de soulèvement conteneur déchets	1.651 mm (65,0 in)
Poids maximum soulevable par le conteneur déchets	110 kg (242,5 lb)
Hauteur minimum/maximum de vidage	270 mm/1.380 mm (10,6/54,3 in)
Rayon minimum de braquage	1.690 mm (66,5 in)
Brosse centrale, dimensions	Ø 300 mm x 800 mm (Ø 11,8 in x 31,5 in)
Brosses latérales, dimensions	Ø 500 mm (Ø 19,7 in)
Vitesse maximum de marche avant	7 km/h (4,3 mph)
Vitesse maximum de marche arrière	3,5 km/h (2,2 mph)
Pente maximum	16%
Poids axe avant en ordre de marche	280 kg (617,3 lb)
Poids axe arrière en ordre de marche	430 kg (948,0 lb)
Poids total machine en ordre de marche	710 kg (1.565,3 lb)
Roue avant pivotante	4,00 – 4
Roues arrière de traction	4,00 – 4
Niveau sonore (A L _{pa})	66,9 dB(A)

Moteurs électriques	Valeurs
Tension système électrique	24V
Moteur brosse centrale/aspiration	24V ; 1.000W ; 2.800 tr/min
Moteur électrique traction	24V ; 750W ; 5.000 tr/min
Motoréducteur brosse latérale	24V ; 90W ; 85 tr/min
Moteur secoueur	24V ; 90W ; 5.700 tr/min

Batteries	Valeurs
Batteries standard	N.4 batteries au plomb à 6V avec électrolyte acide, en branchement en série
Batteries optionnelles	N.1 24V batterie au plomb avec électrolyte acide

Batteries optionnelles (wet ou gel, disponibles chez les revendeurs Nilfisk)	Valeurs
Tension totale batteries	24V
Capacité batteries utilisables	330Ah
Dimensions conteneur batteries	304x800 mm (12x31,5 in)
Dimensions maximum logement batteries	360x800x380 mm (14,2x31,5x15,0 in)

Aspiration et filtrage poussières	Valeurs
Filtre poussières en papier de 5-10 µm	7 m ² (10.850,0 in ²)
Aspiration logement brosse centrale	6 mm H ₂ O (0,24 in H ₂ O)

Schéma électrique

(Voir Fig. AF)

- BE1 : Feu clignotant (optionnel)
 BZ1 : appareil de signalisation acoustique de marche arrière
 C1 : connecteur de batteries
 EB1 : carte électronique traction
 EB2 : afficheur
 ES1 : télérupteur de ligne
 ES2 : télérupteur brosse centrale
 ES3 : télérupteur pompe (position soulevée)
 ES4 : télérupteur pompe (position abaissée)
 ES5 : télérupteur siège
 F0 : fusible général (150A)
 F1 : fusible clé (15A)
 F2 : fusible pompe hydraulique (20A)
 F3 : fusible actionneur conteneur déchets (10A)
 F4 : fusible secoueur (15A)
 F5 : fusible de service (10A)
 F6 : fusible phare de travail (10A) (optionnel)
 F7 : fusible restaurable brosse droite (10A)
 F8 : fusible restaurable brosse gauche (10A)
 F9 : fusible restaurable brosse centrale (50A)
 HN : avertisseur acoustique
 K1 : commutateur de démarrage
 L1 : phare de travail (optionnel)
 M1 : moteur électrique traction
 M2 : moteur brosse centrale
 M3 : pompe hydraulique
 M4 : actionneur
 M5 : moteur secoueur
 M7 : moteur brosse droite
 M8 : moteur brosse gauche
 R1 : potentiomètre traction
 SW0 : bouton-poussoir d'arrêt d'urgence
 SW1 : interrupteur de modalité marche avant/arrière traction
 SW2 : interrupteur brosse centrale
 SW3 : interrupteur de sécurité conteneur déchets
 SW4 : interrupteur de soulèvement/abaissement conteneur déchets
 SW5 : interrupteur ouverture/fermeture conteneur déchets
 SW7 : interrupteur brosse droite
 SW8 : interrupteur brosse gauche
 SW9 : micro-interrupteur conteneur déchets position horizontale
 SW10 : micro-interrupteur soulèvement conteneur déchets
 SW11 : micro-interrupteur ouverture conteneur déchets
 SW12 : micro-interrupteur fermeture conteneur déchets
 SW13 : micro-interrupteur secoueur
 SW14 : interrupteur phare de travail (optionnel)
 SW15 : interrupteur avertisseur acoustique
 SW16 : interrupteur de sécurité

Code de couleurs

- BK : noir
 BU : bleu
 BN : marron
 GN : vert
 GY : gris
 OG : orange
 PK : rose
 RD : rouge
 VT : violet
 WH : blanc

Schéma hydraulique

(Voir Fig. AG)

1. Réservoir huile hydraulique
2. Filtre huile hydraulique
3. Pompe hydraulique
4. Moteur
5. Soupape de sécurité
6. Cylindre de soulèvement conteneur déchets

FUSIBLES

Sous le coffre, à l'extérieur de la boîte électrique, on trouve les fusibles suivants :

- **Fusibles restaurables thermiques**, qui peuvent être restaurés en appuyant sur la touche :
 - Moteur brosse centrale (5, Fig. V)
 - Moteur brosse latérale droite (6, Fig. V)
 - Moteur brosse latérale gauche (7, Fig. V)
- **Fusibles lamellaires**, protégés par un couvercle en plastique transparente, protègent les circuits indiqués :
 - F1 (15A) (en commençant du haut) : Commutateur de démarrage
 - F2 (20A) : Pompe hydraulique
 - F3 (10A) : Actionneur conteneur déchets
 - F4 (15A) : Secoueur
 - F5 (10A) : Composants auxiliaires
 - F6 (10A) : Phares de travail (optionnels)
 - Fusible de rechange 1 (20A)
 - Fusible de rechange 2 (15A)

A l'intérieur de la boîte électrique (12, Fig. V), on peut trouver le fusible suivant :

- F0 (150A) : Général (2, Fig. Z)

ACCESSOIRES/OPTIONS

Outre les composants présents dans le modèle standard, la machine peut être équipée avec les accessoires optionnels suivants, selon l'emploi spécifique de la machine :

- brosses centrale et latérales avec poils plus ou moins durs par rapport au standard ;
- filtre poussières en polyester antistatique et en polyester BIA C ;
- filtre à poches ;
- feu tournant ;
- phare de travail ;
- volet anti-trace ;
- roues anti-trace ;
- protection opérateur.

Pour de plus amples informations relatives aux accessoires optionnels susmentionnés, s'adresser au revendeur agréé.

UTILISATION



ATTENTION !

Des plaques adhésives appliquées sur certains points de la machine indiquent :

- DANGER
- ATTENTION
- AVERTISSEMENT
- CONSULTATION

Au moment de la lecture de ce manuel, l'opérateur doit comprendre le signifié de ces symboles.

Ne pas couvrir les plaques et les remplacer immédiatement en cas d'endommagement.

CONTROLE/PREPARATION DES BATTERIES SUR UNE MACHINE NOUVELLE

La machine requiert une batterie de 24V ou quatre batteries de 6V branchées en suivant le schéma (15, Fig. V).

La machine peut être fournie selon un des modèles suivants :

a) Batterie déjà installée et prête pour l'utilisation.

1. Ouvrir le coffre (13, Fig. C) et le supporter avec la tige (16, Fig. V).
Contrôler si la batterie est branchée à la machine au moyen du connecteur (4, Fig. V).
2. Dégager la tige de blocage, baisser et fermer correctement le coffre.
3. Insérer sur le tableau de bord la clé de mise en marche dans le commutateur de démarrage (18, Fig. B) et le porter sur "I" (sans appuyer sur la pédale 20, Fig. B). Si le témoin lumineux vert s'allume (9, Fig. B), la batterie est prête pour l'utilisation.

Si les témoins lumineux jaune ou rouge (8 ou 7, Fig. B) s'allument, il est nécessaire d'effectuer le chargement des batteries (voir procédure au chapitre Entretien).

b) Batterie installée sur la machine, mais sans électrolyte.

1. Ouvrir le coffre (13, Fig. C) et le supporter avec la tige (16, Fig. V).
2. Déposer les bouchons (3, Fig. V) des batteries.



ATTENTION !

Faire attention pendant l'utilisation d'acide sulfurique, à cause de sa corrosivité. En cas de contact avec la peau ou les yeux, laver et rincer abondamment avec eau et consulter un médecin. Les batteries doivent être remplies dans un milieu bien aéré. Utiliser les gants de protection.

3. Remplir les éléments de la batterie avec acide sulfurique pour batteries [densité de 1,27 à 1,29 kg à 25°C (de 2,80 à 2,84 lb à 77°F)] selon les instructions spécifiées dans le manuel d'emploi de la batterie.

La quantité correcte de solution acide à insérer est indiquée dans le manuel d'emploi de batterie. Laisser reposer la batterie et remplir les éléments avec solution d'acide sulfurique, selon les instructions spécifiques indiquées dans le manuel d'emploi de la batterie.

4. Effectuer le chargement de la batterie (voir procédure au chapitre Entretien).

c) Sans batteries

1. Acheter des batteries adéquates [voir paragraphe Caractéristiques techniques et le schéma d'installation (15, Fig. V)].
S'adresser aux revendeurs de batteries qualifiés pour le choix et l'installation.
2. Effectuer l'installation des batteries et l'établissement des batteries WET ou GEL (voir la procédure au paragraphe suivant).
3. Effectuer le rechargement des batteries (voir procédure au chapitre Entretien).

INSTALLATION DES BATTERIES ET ETABLISSEMENT DES BATTERIES WET OU GEL

Installation des batteries

1. Installer les batteries sur la machine en suivant le schéma (15, Fig. V).
Selon les dimensions des batteries, contrôler s'il est possible de les positionner à l'intérieur du conteneur en plastique, livré avec la machine.
Si les dimensions des batteries sont supérieures aux dimensions du conteneur en plastique, utiliser les guides, livrées avec la machine, pour garantir la stabilité à l'intérieur du logement des batteries.



ATTENTION !

Les batteries au plomb/acide non scellées requièrent toujours le conteneur adéquat pour éviter toute perte d'acide.

Ne pas installer les batteries au plomb/acide non scellées sans le conteneur adéquat.

Etablissement des batteries WET ou GEL



REMARQUE

L'établissement d'usine de la machine est pour batteries au plomb (WET). Si l'établissement correspond au type de la batterie installée sur la machine, ne pas effectuer l'établissement des batteries.

En cas contraire, effectuer les opérations suivantes :

2. Il est nécessaire d'effectuer l'établissement de la carte électronique de la machine selon le type des batteries installées (WET ou GEL). Procéder comme suit :
 - porter le commutateur de démarrage (18, Fig. B) sur "0" ;
 - ouvrir le coffre (13, Fig. C) et le supporter avec la tige (16, Fig. V) ;
 - débrancher le connecteur (4, Fig. V) des batteries ;
 - déposer les vis (1, Fig. AD) et extraire avec soin le tableau de bord droit (2) ;
 - poser une barrette (1, Fig. AE) sur les connecteurs WET (2) pour les batteries au plomb ou sur les connecteurs GEL (3) pour les batteries au gel ;
 - reposer avec soin le tableau de bord (2, Fig. AD) et le fixer au moyen des vis (1) ;
 - rebrancher le connecteur (4, Fig. V) des batteries ;
 - dégager la tige de blocage (16, Fig. V) et fermer le coffre (13, Fig. C).

AVANT LA MISE EN MARCHÉ DE LA MACHINE

1. Contrôler que la machine n'a pas des portillons/coffres ouverts et qu'elle est en conditions normales d'utilisation.
2. Si la machine n'a pas encore été utilisée après le transport, contrôler que tous les sabots et les moyens de blocage utilisés pour le transport ont été enlevés.

MISE EN MARCHÉ ET ARRÊT DE LA MACHINE

Mise en marche

1. S'asseoir en position de conduite sur le siège (27, Fig. B) et, au moyen du levier (23), régler le siège longitudinalement selon les propres commodités.
2. Débloquer le volant (10, Fig. B) au moyen du bouton (11) et régler l'inclinaison selon les propres commodités ; après le réglage, relâcher le bouton (11) et déplacer légèrement le volant afin de l'accrocher au dispositif de retenue intérieur.
3. Insérer sur le tableau de bord la clé de mise en marche dans le commutateur de démarrage (18, Fig. B) ; le porter sur "I" sans appuyer sur la pédale (20), attendre (pendant quelques seconds) que l'afficheur s'allume (5, Fig. B) et que les heures de travail soient affichées.
Contrôler l'allumage du témoin lumineux vert (9, Fig. B).
4. Si les témoins lumineux rouge ou jaune (7 ou 8, Fig. B) s'allument, porter le commutateur de démarrage sur "0" et enlever la clé de mise en marche. Effectuer le chargement des batteries (voir procédure au chapitre Entretien).



REMARQUE

Le siège (27, Fig. B) est équipé d'un capteur de sécurité, qui permet le fonctionnement de la machine seulement lorsque l'opérateur se trouve assis sur le siège.

5. Dégager le frein de stationnement en appuyant sur la pédale (26, Fig. B) et en dégageant le levier (19).
6. Se porter sur le lieu de travail, en démarrant la machine les mains sur le volant (10, Fig. B) ; appuyer sur la pédale (20) sur la partie avant pour la marche avant et sur la partie arrière pour la marche arrière. La vitesse augmente de zéro à sa valeur maximum en fonction de la pression sur la pédale.
7. Baisser la brosse centrale au moyen du levier (24, Fig. B), puis activer le système d'aspiration en utilisant le levier (17, Fig. B).
8. Baisser la brosse latérale droite en utilisant le levier (21, Fig. B).
9. Baisser la brosse latérale gauche en utilisant le levier (22, Fig. B).



REMARQUE

Toutes les brosses (10, 11, 12, Fig. C) peuvent être soulevées ou baissées lorsque la machine est en mouvement. Lorsque les brosses sont soulevées, elles ne tournent pas. Lorsque la brosse centrale est soulevée, le système d'aspiration ne fonctionne pas.

10. Pour le balayage, mettre en marche la machine les mains sur le volant (10, Fig. B) et appuyer sur la pédale (20).

Arrêt de la machine

1. Pour arrêter la machine relâcher la pédale (20, Fig. B).
Pour arrêter la machine rapidement, appuyer sur la pédale de frein de service aussi (26, Fig. B).
Pour arrêter la machine immédiatement en cas d'urgence, appuyer sur le bouton-poussoir d'urgence (12, Fig. B). Pour désactiver le bouton-poussoir d'urgence (12) après l'avoir utilisé, le tourner dans la direction indiquée par le flèche sur le bouton-poussoir.
2. Porter le commutateur de démarrage (18, Fig. B) sur "0" et enlever la clé de mise en marche.
3. Engager le frein de stationnement en appuyant sur la pédale du frein (26, Fig. B) et en utilisant le levier de contrôle du frein de stationnement (19).

MACHINE AU TRAVAIL

1. Ne pas s'arrêter pendant longtemps dans la même position avec les brosses qui tournent : des traces non désirées pourraient rester sur le sol.
2. Pour collecter les déchets légers et volumineux, soulever le volet avant en appuyant sur la pédale (25, Fig. B) ; considérer que pendant que le volet avant est soulevé, la capacité d'aspiration de la machine est réduite.



ATTENTION !

S'il est nécessaire d'opérer sur un sol mouillé, il faut désactiver le système d'aspiration en actionnant le levier (17, Fig. B) pour protéger le filtre poussières.

3. Pour un bon travail de balayage il faut que le filtre poussières soit le plus propre possible. Pour son nettoyage pendant le balayage, procéder comme suit :
 - soulever la brosse centrale en actionnant le levier (24, Fig. B), pour arrêter le système d'aspiration ;
 - appuyer à plusieurs reprises sur le bouton-poussoir du secoueur (14, Fig. B) ;
 - ensuite baisser à nouveau la brosse centrale en réactivant ainsi le système d'aspiration et en reprenant le travail. Répéter l'opération toutes les 10 minutes pendant le travail (selon la quantité de poussière du milieu à nettoyer).



REMARQUE

Cette opération peut être effectuée même avec la machine en mouvement.



REMARQUE

Lorsque le filtre poussières est obstrué et/ou le conteneur déchets est plein, la machine n'arrive plus à collecter ni de poussière ni de déchets.

4. Vider le conteneur déchets (4, Fig. C) chaque fois qu'il est plein ainsi qu'à la fin du travail.

VIDAGE DU CONTENEUR DECHETS

1. La hauteur maximum de vidage du conteneur déchets est de 1.380 mm (54,3 in) (Fig. U).
2. Pour effectuer le vidage, se porter à proximité du bac de collecte des déchets et procéder comme suit :
 - soulever les brosses latérales et centrale ;
 - désactiver le système d'aspiration au moyen du levier (17, Fig. B) ;
 - appuyer sur le bouton-poussoir (14, Fig. B) du secoueur.



ATTENTION !
Opérer toujours sur un sol plat afin d'éviter que la machine se déséquilibre.



ATTENTION !
Pendant le soulèvement et le vidage du conteneur déchets (4, Fig. C), maintenir le frein de stationnement en appuyant sur la pédale et le levier (26 et 19, Fig. B).

3. Tenir les personnes à distance de la machine, en particulier de l'endroit du conteneur déchets (4, Fig. C).
4. Appuyer sur le bouton-poussoir de confirmation (1, Fig. B) tout en appuyant sur le bouton-poussoir de soulèvement (15) du conteneur déchets pour soulever le conteneur déchets (1, Fig. T) jusqu'à la hauteur désirée.
5. Appuyer sur le bouton-poussoir de confirmation (1, Fig. B) tout en appuyant sur le bouton-poussoir de renversement (16, Fig. B) du conteneur déchets (2, Fig. U) pour vider tous les déchets dans le bac de collecte (1, Fig. U).



AVERTISSEMENT !
Le renversement du conteneur déchets (2, Fig. U) n'est possible qu'après avoir soulevé le conteneur déchets jusqu'à une hauteur minimum de 270 mm (10,6 in).

6. Appuyer sur le bouton-poussoir de confirmation (1, Fig. B) tout en appuyant sur le bouton-poussoir de renversement (16, Fig. B) du conteneur déchets et remettre le conteneur déchets en position horizontale.
7. Appuyer sur le bouton-poussoir de confirmation (1, Fig. B) tout en appuyant sur le bouton-poussoir d'abaissement (15) du conteneur déchets pour le baisser.



AVERTISSEMENT !
L'abaissement du conteneur déchets n'est possible que si celui-ci se trouve dans sa position originale (position horizontale).

8. La machine est prête pour reprendre le travail de balayage.

APRES L'UTILISATION DE LA MACHINE

Le travail effectué, avant de laisser la machine :

- soulever la brosse centrale au moyen du levier (24, Fig. C) ;
- soulever les brosses latérales au moyen des leviers (21 et 22, Fig. B).
- désactiver le système d'aspiration au moyen du levier (17, Fig. B), et puis appuyer brièvement sur le bouton-poussoir (14, Fig. B) du secoueur et activer à nouveau le système d'aspiration ;
- vider le conteneur déchets (4, Fig. C) (voir paragraphe précédent) ;
- enlever la clé de mise en marche du commutateur de démarrage (18, Fig. B) ;
- engager le frein de stationnement en appuyant sur la pédale du frein (26, Fig. B) et en utilisant le levier de contrôle du frein de stationnement (19).

REGLAGE DU PHARE DE TRAVAIL

Pour le réglage éventuel de l'orientation du faisceau lumineux du phare de travail (9, Fig. C), agir sur les vis (22).

INACTIVITE PROLONGEE DE LA MACHINE

Si on prévoit de ne pas utiliser la machine pendant plus de 30 jours, il est convenable d'effectuer les opérations suivantes :

- s'assurer de remiser la machine dans un endroit sec et propre ;
- débrancher le connecteur (4, Fig. V) des batteries.

PREMIERE PERIODE D'UTILISATION

Après la première période d'utilisation (les 8 premières heures), il est nécessaire de contrôler le serrage des dispositifs de fixation et de connexion ; contrôler que les parties visibles sont intactes.

ENTRETIEN

La durée de l'activité et la sécurité de fonctionnement de la machine sont garanties par un entretien soigné et régulier. Le plan récapitulatif d'entretien programmé est reporté ci-dessous. Les périodicités indiquées peuvent subir des variations en fonction de conditions de travail particulières, à définir par le responsable de l'entretien.



ATTENTION !

Ces opérations doivent être effectuées avec la machine arrêtée, la clé de mise en marche retirée et (le cas échéant) la batterie débranchée.

En outre, lire attentivement toutes les instructions du chapitre Sécurité.

Toutes les opérations d'entretien programmé ou extraordinaire doivent être effectuées par du personnel qualifié ou par un Service après-vente autorisé.

Ce manuel ne contient que les opérations d'entretien de la machine les plus simples et les plus récurrentes.



REMARQUE

Pour les procédures des autres opérations d'entretien prévues par le Plan récapitulatif d'entretien programmé, voir le manuel d'entretien spécifique, consultable auprès des Services après-vente.

PLAN RECAPITULATIF D'ENTRETIEN PROGRAMME

Opération d'entretien	A la livraison	Toutes les 10 heures	Toutes les 50 heures	Toutes les 100 heures	Toutes les 200 heures	Toutes les 400 heures
Contrôle niveau liquide batterie		(1)				
Contrôle réservoir huile hydraulique système de soulèvement conteneur déchets			(1)			
Contrôle visuel et tension courroie moteur à brosse centrale				(*)		
Contrôle hauteur et fonctionnement volets						
Contrôle brosses latérales et centrale						
Nettoyage filtre poussières à cadre et contrôle intégrité						
Nettoyage filtre poussières à poches et contrôle intégrité						
Contrôle fonctionnement secoueur			(*)			
Réglage freins				(*)		
Contrôle serrage vis et écrous				(*) (2)		
Contrôle tension et nettoyage chaînes roues de traction			(*)			
Nettoyage chaîne direction				(*)		
Contrôle intégrité tuyau flexible d'aspiration				(*)		
Remplacement courroie poulie à brosse centrale					(*)	
Remplacement courroie trapézoïdale poulie moteur à brosse centrale					(*)	
Contrôle intégrité joints conteneur déchets					(*)	
Contrôle réglage micro-interrupteur conteneur déchets soulevé					(*)	
Contrôle réglage micro-interrupteur position horizontale conteneur déchets					(*)	
Contrôle et remplacement charbons moteur						(*)
Changement huile hydraulique						(*) (3)

(*) : pour la procédure relative, se référer au manuel d'entretien ;

(1) : ou avant toute mise en marche.

(2) : et après les 8 premières heures de rodage

(3) : changer l'huile hydraulique pour la première fois après 500 heures, puis après 2.000 heures ou tous les ans

CONTROLE ET REGLAGE DE LA HAUTEUR DE LA BROSSE CENTRALE



REMARQUE

La machine est livrée avec des brosses de dureté différente. La procédure ci-décrite est applicable à tous les types de brosses.

1. Contrôler la hauteur du sol de la brosse centrale, en procédant comme suit :
 - porter la machine sur un sol plat ;
 - en gardant la machine en position d'arrêt, faire tourner la brosse centrale pendant quelques secondes ;
 - arrêter et soulever la brosse centrale et puis déplacer la machine ;
 - contrôler si la trace (1, Fig. D) laissée par la brosse centrale est large de 20 à 40 mm (de 0,79 à 1,57 in).
Au cas où la trace (1) résulterait différente, procéder au réglage de la hauteur de la brosse, en opérant comme suit.
2. Arrêter la machine en portant le commutateur de démarrage (18, Fig. B) sur "0".



ATTENTION !

Avant d'ouvrir le portillon gauche (5, Fig. C), arrêter toujours la machine pour éviter tout mouvement des courroies et des poulies.

3. Dégager le dispositif de retenue (6, Fig. C) après avoir dévissé sa vis au moyen d'un tournevis.
4. Ouvrir le portillon gauche (5, Fig. C).
5. Desserrer le contre-écrou (2, Fig. E).
6. Tourner le bouton (1, Fig. E), en considérant que :
 - en le vissant la pression de la brosse sur le sol se réduit ;
 - en le dévissant la pression de la brosse sur le sol augmente.



REMARQUE

Lorsque le bouton est dévissé complètement, on a obtenu la pression maximum de la brosse sur le sol.

7. Serrer le contre-écrou (2, Fig. E).
8. Effectuer à nouveau le point 1 pour contrôler le réglage de la hauteur de la brosse centrale du sol.
9. Lorsque l'usure excessive de la brosse n'en permet plus le réglage, remplacer la brosse comme prévu dans le paragraphe suivant.
10. Fermer le portillon gauche (5, Fig. C) et engager le dispositif de retenue (6).



REMARQUE

Au cas où il ne serait pas possible de régler correctement la trace (1, Fig. D), car la brosse exerce une pression trop différente aux deux extrémités de sa longueur, se référer au manuel d'entretien pour la procédure de réglage.

REPLACEMENT DE LA BROSSE CENTRALE



REMARQUE

La machine est livrée avec des brosses de dureté différente. La procédure ci-décrite est applicable à tous les types de brosses.



AVERTISSEMENT !

L'utilisation de gants de travail est conseillée pendant le remplacement de la brosse centrale à cause de la présence éventuelle de débris tranchants parmi les poils.

1. Porter la machine sur un sol plat et activer le frein de stationnement au moyen de la pédale et du levier (26 et 19, Fig. B).
2. Porter le commutateur de démarrage (18, Fig. B) sur "0".
3. Ouvrir le coffre (1, Fig. V) et débrancher le connecteur (4, Fig. V) de la batterie.
4. Ouvrir le portillon droit (7, Fig. C) et dégager le dispositif de retenue (8).
5. Dévisser et déposer les boutons (1, Fig. F).
6. Déposer le couvercle du logement (1, Fig. G) de la brosse.
7. Déposer la brosse (1, Fig. H).
8. Contrôler que le moyeu entraîneur (1, Fig. I) est propre et non obstrué par objets (cordes, vêtements, etc.) enroulés accidentellement.
9. Installer la brosse nouvelle en la positionnant avec l'inclinaison des rangées des poils comme montré dans la figure (2, Fig. I).
10. Installer la brosse nouvelle (3, Fig. I) sur la machine et s'assurer que sa bride (4) s'engage correctement sur le moyeu entraîneur correspondant (1).
11. Reposer le couvercle du logement (1, Fig. G) de la brosse et visser les boutons (1, Fig. F).
12. Fermer le portillon droit (7, Fig. C) et engager le dispositif de retenue (8).
13. Effectuer le contrôle et le réglage de la hauteur de la brosse centrale, comme indiqué au paragraphe précédent.

CONTROLE ET REGLAGE DE LA HAUTEUR DES BROSSES LATERALES



REMARQUE

La machine est livrée avec des brosses de dureté différente. La procédure ci-décrite est applicable à tous les types de brosses.

1. Contrôler la hauteur du sol des brosses latérales, en procédant comme suit :
 - porter la machine sur un sol plat ;
 - en gardant la machine en position d'arrêt, baisser les brosses latérales et les faire tourner pendant quelques secondes ;
 - arrêter et soulever les brosses latérales et puis déplacer la machine ;
 - contrôler que l'extension et l'orientation des traces laissées par les brosses latérales sont comme montré en figure (1 et 2, Fig. J).
Au cas où les traces résulteraient différentes, procéder au réglage de la hauteur des brosses, en procédant comme suit.
2. Activer le frein de stationnement au moyen de la pédale et du levier (26 et 19, Fig. B).
3. Porter le commutateur de démarrage (18, Fig. B) sur "0".
4. Ouvrir le coffre (13, Fig. C) et le supporter avec la tige (16, Fig. V).
5. **Pour la brosse latérale droite**, activer le renvoi (1, Fig. K) du levier : desserrer l'embout (2) et régler le dispositif de réglage (3) jusqu'à obtenir la trace correcte (1, Fig. J). Installer le dispositif de réglage et le bloquer sur le levier avec l'embout (2, Fig. K).
Pour la brosse latérale gauche, activer le renvoi (4, Fig. K) du levier : desserrer l'embout (5) et régler le dispositif de réglage (6) jusqu'à obtenir la trace correcte (2, Fig. J). Installer le dispositif de réglage et le bloquer sur le levier avec l'embout (5, Fig. K).
6. Effectuer à nouveau le point 1 pour contrôler le réglage de la hauteur des brosses latérales du sol.
7. Lorsque l'usure excessive de la brosse n'en permet plus le réglage, remplacer la brosse comme prévu dans le paragraphe suivant.



REMARQUE

Le cas échéant, il est possible de régler aussi l'inclinaison des brosses latérales. Pour la procédure relative, se référer au manuel d'entretien.

REPLACEMENT DES BROSSES LATERALES



REMARQUE

La machine est livrée avec des brosses de dureté différente. La procédure ci-décrite est applicable à tous les types de brosses.



AVERTISSEMENT !

L'utilisation de gants de travail est conseillée pendant le remplacement des brosses latérales à cause de la présence éventuelle de débris tranchants parmi les poils.

1. Porter la machine sur un sol plat et activer le frein de stationnement au moyen de la pédale et du levier (26 et 19, Fig. B).
2. Porter le commutateur de démarrage (18, Fig. B) sur "0".
3. Baisser la brosse latérale au moyen du levier (21 ou 22, Fig. B).
4. Déposer la vis (1, Fig. L) à l'intérieur de la brosse latérale, puis déposer la brosse avec le moyeu (2) en la dégageant de l'arbre (3).
Récupérer la clé (4) et la rondelle (5).
5. Sur banc, dévisser les quatre vis et les écrous (6) et séparer la brosse (8) du moyeu (7).
6. Installer la brosse nouvelle (8) sur le moyeu (7) et serrer les vis et les écrous (6).
7. Reposer la brosse avec le moyeu (2) sur la machine après avoir placé la clé (4) dans son logement.
Reposer la rondelle (5) et serrer la vis (1).
8. Effectuer le contrôle et le réglage de la hauteur des brosses latérales, comme indiqué au paragraphe précédent.

NETTOYAGE DU FILTRE POUSSIÈRES A CADRE ET CONTROLE INTEGRITE



REMARQUE

Outre le filtre en papier standard, des filtres en polyester sont à disposition en tant qu'accessoires optionnels. La procédure ci-décrite est applicable à chacun de ces types.

1. Porter la machine sur un sol plat et activer le frein de stationnement au moyen de la pédale et du levier (26 et 19, Fig. B).
2. Porter le commutateur de démarrage (18, Fig. B) sur "0".
3. Ouvrir le coffre (13, Fig. C) et le supporter avec la tige (16, Fig. V).
4. Débrancher le connecteur (4, Fig. V) des batteries. Déposer le couvercle (2, Fig. M) du filtre en le dégageant des dispositifs de retenue (1).
5. Débrancher le connecteur électrique (1, Fig. N) du secoueur.
6. Déposer les boutons (2, Fig. N) de fixation du cadre de support du secoueur.
7. Déposer le cadre (3, Fig. N) de support du filtre.
8. Extraire le filtre poussières (4, Fig. N).
9. A l'extérieur, dans un milieu approprié, nettoyer le filtre en le secouant sur une surface horizontale et propre, en battant le côté (1, Fig. O) opposé à celui du tamis (2, Fig. M). Compléter le nettoyage au moyen d'un jet d'air comprimé (3, Fig. M), 6 bar maximum, en soufflant uniquement du côté protégé par le tamis (2) d'une distance minimum de 30 cm. Considérer en outre les indications suivantes selon le filtre traité :
 - filtre en papier (standard) : ne pas le nettoyer avec eau ou détergent afin de ne pas l'endommager ;
 - filtre en polyester (optionnel) : pour le nettoyage, voir les instructions susmentionnées. Pour un nettoyage plus profond, il est possible de laver le filtre avec de l'eau et, éventuellement, avec des détergents non moussants. Ce type de nettoyage, même si meilleur du point de vue qualitatif, réduit la vie utile du filtre qui devra être remplacé plus souvent. L'utilisation de détergents pas adéquats peut compromettre les caractéristiques fonctionnelles du filtre.
10. Contrôler que le corps du filtre n'a pas de déchirures.
10. Nettoyer le long du périmètre de la bague en caoutchouc (1, Fig. P) du logement filtre et contrôler si la bague est intacte. Si besoin est, la remplacer.
11. Reposer dans l'ordre inverse de la dépose (du point 8 au point 1).



ATTENTION !

Lorsque de la repose du filtre, le tamis (2, Fig. O) doit être tourné vers le haut.

NETTOYAGE DU FILTRE POUSSIÈRES A POCHE ET CONTROLE INTEGRITE



REMARQUE

Le nettoyage des filtres à poches en polyester se réalise normalement par l'actionnement du secoueur électrique livré avec la machine.

Si besoin est, les filtres peuvent être nettoyés à l'extérieur en suivant la procédure décrite ci-dessous.

Lorsque les conditions des surfaces filtrantes sont compromises, il est nécessaire de remplacer le filtre.

1. Porter la machine sur un sol plat et activer le frein de stationnement au moyen de la pédale et du levier (26 et 19, Fig. B).
2. Porter le commutateur de démarrage (18, Fig. B) sur "0".
3. Ouvrir le coffre (13, Fig. C) et le supporter avec la tige (16, Fig. V).
4. Déposer le couvercle (2, Fig. M) du filtre en le dégageant des dispositifs de retenue (1).
5. Dévisser les boutons (1, Fig. AA) et déposer les étriers (2).
6. Extraire vers le haut le filtre poussières (1, Fig. AB) et le déposer après avoir débranché le connecteur électrique (2) du secoueur.
7. A l'extérieur, dans un milieu approprié, et avec l'opérateur préposé au nettoyage équipé de tout habillement de protection (gants, masque, lunettes), procéder au démontage de la surface filtrante en polyester de la façon décrite ci-dessous.
8. Déposer le moteur secoueur (1, Fig. AC) en dévissant les deux vis de fixation.
9. Ouvrir complètement le groupe de support moteur secoueur (2, Fig. AC) en dégageant les tiges de tension (3) des poches filtrantes.
10. Déposer toutes les tiges de tension (4, Fig. AC) des poches filtrantes.
11. Desserrer la corde de fixation supérieure (5, Fig. AC) du filtre à poches pour déposer le cadre supérieur (6).
12. Déposer le séparateur intérieur poches (7, Fig. AC).
13. Nettoyer la surface en polyester (8, Fig. AC) du côté sale (en utilisant un aspirateur extérieur) en l'étendant complètement ou en nettoyant chaque poche. En même temps, il faut aspirer les deux surfaces du séparateur poches (7, Fig. AC), en enlevant tous les débris éventuels. Contrôler que la surface filtrante n'a pas de déchirures ; en cas contraire, la remplacer. Il est quand-même possible d'utiliser de l'air comprimé (maximum 6 bar) en dirigeant le jet d'air du côté propre vers le côté sale.



ATTENTION !

Le nettoyage du filtre à l'eau n'est pas conseillé. La fibre en polyester pourrait se rétrécir et ne plus être utilisable.

14. Pour le remontage de tous les éléments du filtre, procéder dans l'ordre inverse du démontage.
15. Si besoin est, nettoyer le long du périmètre de la bague en caoutchouc (3, Fig. AB) du logement filtre ; contrôler en outre que la bague est intacte. Si besoin est, la remplacer.
16. Pour le remontage de tous les éléments, procéder dans l'ordre inverse du démontage.

CONTROLE DE LA HAUTEUR ET DU FONCTIONNEMENT DES VOILETS

Volets latéraux

1. Porter la machine sur un sol plat et adéquat en tant que plan de référence pour le contrôle de la hauteur des volets.
2. Activer le frein de stationnement au moyen de la pédale et du levier (26 et 19, Fig. B).
3. Porter le commutateur de démarrage (18, Fig. B) sur "0".
4. Dégager les dispositifs de retenue (8 et 6) et ouvrir les portillons droit et gauche (7 et 5, Fig. C).
5. Contrôler l'intégrité des volets latéraux (2, Fig. F). Remplacer les volets en présence de coupures (1, Fig. Q) supérieures à 20 mm (0,79 in) ou de cassures/déchirures (2) supérieures à 10 mm (0,39 in) (pour le remplacement des volets, se référer au manuel d'entretien).
6. Contrôler que la hauteur des volets latéraux (2, Fig. F) du sol est comprise entre 0 - 3 mm (0 - 0,12 in) (Fig. R).
Si besoin est, régler la position des volets, après avoir desserré les vis (3, Fig. F). Enfin serrer les vis (3).

Volets avant et arrière

7. Déposer la brosse centrale, comme décrit au paragraphe spécifique.
8. Contrôler l'intégrité des volets avant et arrière (1 and 2, Fig. W).
Remplacer les volets en présence de coupures (1, Fig. Q) supérieures à 20 mm (0,79 in) ou de cassures/déchirures (2) supérieures à 10 mm (0,39 in) (pour le remplacement des volets, se référer au manuel d'entretien).
9. Contrôler si les volets avant et arrière (1 et 2, Fig. W) touchent le sol et si, de toute façon, ils ne sont pas détachés du sol (voir Fig. S).
Si besoin est, régler la position des volets, après avoir desserré les vis (3, Fig. W). Enfin serrer les vis (3).
10. Appuyer à fond sur la pédale du volet avant (25, Fig. B) et contrôler si le volet avant se soulève de 50 mm (1,97 in).
Relâcher la pédale et contrôler que le volet revient à la position initiale et qu'il ne reste pas dans une position intermédiaire. Si besoin est, régler le câble du volet (1, Fig. X) au moyen du dispositif de réglage (2) qui se trouve sur le côté avant gauche du volet (pour le remplacement du câble du volet avant, se référer au manuel d'entretien).
11. Pour le remontage de tous les éléments, procéder dans l'ordre inverse du démontage.

CONTROLE DU NIVEAU DE L'HUILE HYDRAULIQUE DU SYSTEME DE SOULEVEMENT DU CONTENEUR DECHETS



AVERTISSEMENT !

Les opérations doivent être effectuées avec le conteneur déchets (4, Fig. C) dans sa position originale (comme montrée dans la figure).

1. Activer le frein de stationnement au moyen de la pédale et du levier (26 et 19, Fig. B).
2. Ouvrir le coffre (1, Fig. V) et le supporter avec la tige (16, Fig. V).
3. Contrôler si le niveau de l'huile hydraulique du réservoir (14, Fig. V) est compris entre les repères MIN et MAX (comme montré en Fig. Y).
4. Si besoin est, ajouter de l'huile hydraulique avec degré de viscosité de 32 cSt à travers le bouchon (1, Fig. Y).
5. Dégager la tige de blocage (16, Fig. V) et fermer le coffre (1, Fig. V).

CHARGEMENT DES BATTERIES



ATTENTION !

En chargeant les batteries un gaz hydrogène explosif est produit. Charger exclusivement en milieux bien aérés et loin de flammes libres.

Ne pas fumer pendant le chargement des batteries.

Garder le coffre ouvert pendant tout le cycle de chargement des batteries.



ATTENTION !

Faire attention pendant le rechargement des batteries, à cause de la possibilité de perte de petites quantités de liquide. Le liquide des batteries est corrosif. En cas de contact avec la peau ou les yeux, laver et rincer abondamment à l'eau et consulter un médecin.

1. Porter la machine sur un sol plat et activer le frein de stationnement au moyen de la pédale et du levier (26 et 19, Fig. B).
2. Porter le commutateur de démarrage (18, Fig. B) sur "0".
3. Ouvrir le coffre (13, Fig. C) et le supporter avec la tige (16, Fig. V).
4. Contrôler le niveau correct de l'électrolyte dans les batteries ; si besoin est, faire l'appoint au moyen des bouchons (3, Fig. V).
Laisser les bouchons (3) ouverts pour le rechargement successif.
Si besoin est, nettoyer la surface supérieure des batteries.
5. Contrôler si le chargeur de batterie est adéquat en se référant au manuel d'utilisation du chargeur de batterie. La tension nominale du chargeur de batterie est de 24V. Utiliser un chargeur de batterie adéquat au type de batteries installées.

6. Débrancher le connecteur (4, Fig. V) des batteries et le brancher au chargeur de batterie externe.
7. Brancher le chargeur de batterie au réseau électrique et charger les batteries.
8. Les batteries chargées, débrancher le chargeur de batterie du réseau électrique et du connecteur (4, Fig. V) des batteries.
9. Contrôler le niveau correct de l'électrolyte dans les batteries et fermer les bouchons (3, Fig. V).
10. Rebrancher le connecteur (4, Fig. V) des batteries à la machine.
11. Dégager la tige de blocage (16, Fig. V) et fermer le coffre (13, Fig. C) ; la machine est prête pour l'utilisation.

FONCTIONS DE SECURITE

La machine est équipée des fonctions de sécurité décrites ci-dessous.

INTERRUPTEUR DE MARCHÉ

Il ne permet la mise en marche de la machine que lorsque l'opérateur se trouve correctement assis dans son siège (27, Fig. B).

BOUTON-POUSSOIR D'URGENCE

Il est placé dans une position (12, Fig. B) facilement accessible par l'opérateur ; il doit être appuyé en cas d'une nécessité urgente d'arrêter toute fonction de la machine.

BOUTON-POUSSOIR DE CONFIRMATION DE SOULEVEMENT/ABAISSMENT CONTENEUR DECHETS

Il est placé dans la position (1, Fig. B) et il doit être maintenu appuyé afin d'activer les boutons-poussoirs de commande de soulèvement/abaissement et de renversement du conteneur déchets.

SOUPAPE DE SECURITE DU CYLINDRE DE SOULEVEMENT DU CONTENEUR DECHETS

Elle est placée sur le cylindre de soulèvement du conteneur déchets.
Elle provoque l'arrêt du conteneur déchets dans la position où il se trouve (sans aucune possibilité de se baisser par hasard) en cas de rupture des tuyaux du système hydraulique d'alimentation au cylindre de soulèvement.

DEPISTAGE DES PANNES

PROBLEME	SOLUTION
Après avoir porté le commutateur de démarrage (18, Fig. B) sur "I", l'afficheur ne s'allume pas et la machine ne fonctionne pas	Contrôler que le connecteur (4, Fig. V) des batteries est correctement branché à la machine
	Contrôler l'intégrité des fusibles suivants : F1 (1, Fig. Z) et F0 (2, Fig. Z)
La machine ne bouge pas en appuyant sur la pédale de l'accélérateur	Porter le commutateur de démarrage sur "0", et puis le porter sur "I" en faisant attention à ne pas appuyer sur la pédale de l'accélérateur pendant cette opération
La brosse centrale ne fonctionne pas	Contrôler si le fusible restaurable thermique (5, Fig. V) est activé ; en cas contraire, l'activer en appuyant sur la touche correspondante
Les brosses latérales ne fonctionnent pas	Contrôler si le fusible restaurable thermique (6 ou 7, Fig. V) est activé ; en cas contraire, l'activer en appuyant sur la touche correspondante
La machine ne fonctionne qu'en état d'arrêt ; mais, sous effort, elle s'arrête et le témoin lumineux rouge s'allume	Charger à nouveau la batterie. Au cas où le problème persisterait, remplacer les batteries
La machine ne collecte pas assez les déchets/poussière	Contrôler si le filtre poussières (4, Fig. N) est obstrué
	Contrôler si le conteneur déchets (4, Fig. C) est plein
	Contrôler si les volets (16, 17, 18, 19, Fig. C) sont cassés ou mal réglés
	Contrôler la hauteur des brosses (10, 11, 12, Fig. C)
L'autonomie des batteries est insuffisante	Installer une batterie avec capacité supérieure : (240 Ah)
Le conteneur déchets ne se soulève pas	Contrôler l'intégrité du fusible (F2, Fig. Z)
Le conteneur déchets ne se renverse pas	Contrôler l'intégrité du fusible (F3, Fig. Z)
	Contrôler si le conteneur déchets est soulevé du sol à une hauteur supérieure à 270 mm (10,6 in)
Le conteneur déchets ne se baisse pas	Avant de baisser le conteneur déchets en appuyant sur le bouton-poussoir spécifique (15, Fig. B), contrôler si le conteneur déchets a été ramené en position horizontale à l'aide du bouton-poussoir (16, Fig. B)
Le secoueur ne fonctionne pas	Contrôler si la brosse centrale est soulevée au moyen du levier (24, Fig. B)
	Contrôler l'intégrité du fusible (F4, Fig. Z)

Pour de plus amples informations, voir le manuel d'entretien auprès des Services après-vente Nilfisk.

MISE EN DECHARGE

Effectuer la mise en décharge de la machine auprès d'un démolisseur qualifié.

Avant la mise en décharge de la machine, il est nécessaire de déposer les éléments suivants :

- batterie
- filtre poussières en polyester
- brosses centrale et latérales
- huile hydraulique
- filtre huile hydraulique
- cartes électroniques
- tuyaux et pièces en matériel plastique



AVERTISSEMENT !

Les éléments déposés doivent être envoyés aux collectes sélectives, conformément aux normes d'hygiène de l'environnement en vigueur.

INTRODUÇÃO	2
FINALIDADE E CONTEÚDO DO MANUAL	2
DESTINATÁRIOS	2
CONSERVAÇÃO DO MANUAL	2
DADOS DE IDENTIFICAÇÃO	2
OUTROS MANUAIS DE REFERÊNCIA	2
PEÇAS DE REPOSIÇÃO E MANUTENÇÃO	2
MODIFICAÇÕES E MELHORIAS	2
SEGURANÇA	2
SÍMBOLOS	2
INSTRUÇÕES GERAIS	3
DESEMPACOTAMENTO	3
DESCRIÇÃO DA MÁQUINA	4
FUNCIONAMENTO DA MÁQUINA DE VARRER TERRA™ 5200B	4
CONVENÇÕES	4
DESCRIÇÃO	4
DADOS TÉCNICOS	5
FUSÍVEIS	6
ACESSÓRIOS/OPÇÕES	6
USO	6
VERIFICAÇÃO/CONFIGURAÇÃO DE BATERIA EM UMA MÁQUINA NOVA	6
INSTALAÇÃO E DEFINIÇÃO DE BATERIA WET OU GEL	7
ANTES DA PARTIDA DA MÁQUINA	7
PARTIDA E PARADA DA MÁQUINA	8
MÁQUINA EM FUNCIONAMENTO	8
ESVAZIAMENTO DO DEPÓSITO DE LIXO	9
APÓS O USO DA MÁQUINA	9
AJUSTE DA LUZ DE TRABALHO	9
DESATIVAÇÃO PROLONGADA DA MÁQUINA	9
PERÍODO INICIAL DE USO	9
MANUTENÇÃO	10
TABELA DE MANUTENÇÃO PROGRAMADA	10
VERIFICAÇÃO E REGULAÇÃO DA ALTURA DA VASSOURA CENTRAL	11
SUBSTITUIÇÃO DA VASSOURA CENTRAL	11
VERIFICAÇÃO E REGULAÇÃO DA ALTURA DAS VASSOURAS LATERAIS	12
SUBSTITUIÇÃO DAS VASSOURAS LATERAIS	12
LIMPEZA DO FILTRO DE POEIRA DA ESTRUTURA E VERIFICAÇÃO DO SEU ESTADO	13
LIMPEZA DO FILTRO DE POEIRA DA BOLSA E VERIFICAÇÃO DO SEU ESTADO	13
VERIFICAÇÃO DA ALTURA E DO FUNCIONAMENTO DAS ABAS	14
VERIFICAÇÃO DO NÍVEL DE ÓLEO HIDRÁULICO DO SISTEMA DE ELEVAÇÃO DO DEPÓSITO DE LIXO	14
CARREGAMENTO DA BATERIA	14
FUNÇÕES DE SEGURANÇA	15
INTERRUPTOR DE CONSENTIMENTO DE FUNCIONAMENTO	15
INTERRUPTOR DE EMERGÊNCIA	15
BOTÃO DE CONSENTIMENTO PARA ELEVAR/ABAIXAR O DEPÓSITO DE LIXO	15
VÁLVULA DO DISPOSITIVO DE SEGURANÇA DO CILINDRO DE ELEVAÇÃO DO DEPÓSITO DE LIXO	15
LOCALIZAÇÃO DE DEFEITOS	15
DESCARTE	16

INTRODUÇÃO

FINALIDADE E CONTEÚDO DO MANUAL

Este manual tem por finalidade fornecer ao Usuário todas as informações necessárias para o uso correto, seguro e autônomo da máquina. Ele contém informações sobre as características técnicas, operação, inatividade da máquina, manutenção, peças de reposição e condições de segurança.

Antes de realizar qualquer procedimento na máquina, os Operadores e os Técnicos especializados devem ler este manual cuidadosamente. Em caso de dúvidas sobre a interpretação das instruções e para obter mais informações, entre em contato com o Fabricante.

DESTINATÁRIOS

Este manual destina-se aos Operadores e aos Técnicos especializados para realizarem a manutenção da máquina.

Os Operadores não devem executar operações reservadas aos Técnicos especializados. O Fabricante não se responsabiliza por danos provenientes da não observância desta proibição.

CONSERVAÇÃO DO MANUAL

As Instruções de Uso devem ser mantidas próximo à máquina, em um compartimento adequado, protegidas contra líquidos e outras substâncias que possam danificá-las.

DADOS DE IDENTIFICAÇÃO

O modelo e número de série da máquina encontra-se em uma chapa (28, fig. B) fixada na coluna de direção da máquina e legível a de fora da máquina. O ano de fabricação se encontra após o Código de data da placa de identificação (A04, que significa, Janeiro de 2004). Estas informações são úteis na solicitação de peças de reposição para a máquina. Use a tabela a seguir para anotar os dados de identificação da máquina, para uma referência posterior.

Modelo da MÁQUINA
Número de série da MÁQUINA

OUTROS MANUAIS DE REFERÊNCIA

- Lista de peças de reposição (fornecida com a máquina).
- Manual de manutenção (disponível para consultas em qualquer Centro de Atendimento Nilfisk-Advance).

PEÇAS DE REPOSIÇÃO E MANUTENÇÃO

Todos os procedimentos de utilização, manutenção e reparos necessários devem ser realizados por uma pessoa especializada ou nos Centros de Atendimento Nilfisk-Advance. Use sempre peças de reposição e acessórios originais.

Para obter assistência ou para encomendar peças de reposição ou acessórios, entre em contato com a empresa Nilfisk-Advance, especificando o modelo e o número de série da máquina.

MODIFICAÇÕES E MELHORIAS

A Nilfisk-Advance está em constante processo de aperfeiçoamento de seus produtos, reservando-se, assim, o direito de fazer modificações e melhorias a seu critério, sem obrigação de aplicar tais benefícios às máquinas vendidas anteriormente.

Quaisquer modificações e/ou adição de acessórios devem ser aprovadas e realizadas pelo Fabricante.

SEGURANÇA

Os símbolos a seguir representam situações de perigo potenciais. Leia sempre as informações cuidadosamente e tome as precauções necessárias para a proteção de pessoas e objetos.

A cooperação do Operador da máquina é essencial na prevenção de acidentes. Nenhum programa de prevenção de acidentes é eficaz sem a total cooperação da pessoa responsável pelo funcionamento da máquina. A maioria dos acidentes que podem ocorrer em uma fábrica, durante o trabalho ou movimentação, é causada pelo não cumprimento das regras mais elementares de prudência. Um operador atento e prudente é a melhor garantia contra os acidentes e é indispensável para concluir com êxito qualquer programa de prevenção.

SÍMBOLOS



PERIGO!

Indica uma situação de perigo (com risco de morte) para o Operador.



ATENÇÃO!

Indica um risco potencial de acidente para as pessoas.



ADVERTÊNCIA!

Indica uma advertência ou um comentário relacionado a funções importantes ou úteis. Os parágrafos marcados com este símbolo exigem o máximo de atenção.



CONSULTA

Consulte as Instruções de uso antes de executar qualquer operação.

INSTRUÇÕES GERAIS

A seguir, a descrição de advertências e alertas específicos quanto a riscos potenciais às pessoas e máquinas.



PERIGO!

- Para realizar procedimentos de manutenção/reparo, vire a chave de ignição na posição OFF e desligue a bateria.
- A máquina deve ser usada somente por pessoas especializadas e autorizadas. O uso desta máquina é proibido para crianças ou portadores de deficiências.
- Mantenha a bateria longe de faíscas, chamas e fumo. Durante a operação normal, ocorre a liberação de gases explosivos.
- Não use jóias ao trabalhar próximo a componentes elétricos.
- Não trabalhe na máquina suspensa sem que ela esteja devidamente presa.
- Sempre trabalhar com a capota do motor aberta, certifique-se de que a capota não pode ser fechada acidentalmente.
- A máquina não deve ser operada próxima a fontes de poeira, líquidos ou vapores inflamáveis e/ou explosivos.
- O carregamento das baterias produz gás hidrogênio explosivo. Mantenha a capota aberta durante o carregamento das baterias e realize esta operação em áreas bem ventiladas e longe de chamas.
- Sempre proteja a máquina do sol, da chuva e outras intempéries seja durante o funcionamento ou em estado de inatividade.
- A máquina não pode ser utilizada para rebocar ou empurrar objetos e/ou cargas. Não utilize a máquina como meio de transporte; a capacidade máxima da máquina é de 110 kg (242,5 lb) além do peso do operador.
- As vassouras não devem funcionar com a máquina parada, ou provocarão danos ao piso.
- Em caso de incêndio use um extintor de pó químico. Não use água.
- Não encoste em prateleiras ou andaimes, principalmente se houver o risco de queda de objetos.
- Ajuste a velocidade de funcionamento para se adequar às condições do piso.
- A máquina não pode ser utilizada em vias públicas.
- Não viole as proteções da máquina; siga fielmente as instruções de manutenção de rotina.
- Não remova ou modifique as placas afixadas na máquina.
- Em caso de mal-funcionamento verifique se o mesmo não é causado por falta de manutenção. Caso contrário, solicite a assistência de pessoas autorizadas ou de um Centro de Atendimento.
- Para a compra de peças de reposição, solicite as peças de reposição ORIGINAIS a um Revendedor ou Varejista Autorizado.
- Para garantir condições seguras e operação adequada da máquina, somente pessoas autorizadas ou o Centro de Atendimento devem realizar a manutenção programada descrita no capítulo correspondente deste manual.
- A máquina não deve ser descartada, no fim de seu ciclo de vida, pois contém materiais tóxicos nocivos (baterias, óleos, plásticos, etc.), sujeitos a normas que prevêm a entrega em centros especiais (consultar o capítulo Descarte).
- Quando a máquina é usada de acordo com as instruções, as vibrações geradas não representam perigo. O nível de vibração da máquina é inferior a $2,5 \text{ m/s}^2$ ($2,7 \text{ yd/s}^2$) (EN 1032-96/A1-98).
- Não incline a máquina mais de 30° da sua posição horizontal, pois pode ocorrer um vazamento de ácido altamente corrosivo das baterias. Quando for necessário inclinar a máquina para manutenção, retire as baterias.



ATENÇÃO!

- Antes de realizar qualquer processo de manutenção/reparo, leia cuidadosamente todas as instruções.
- Tome as devidas precauções para impedir que os cabelos, as jóias e as roupas largas não fiquem presas nas partes em movimento da máquina.
- Não fume durante o carregamento das baterias.
- Não deixe a máquina sem vigilância com a chave de ignição colocada e sem o freio de mão puxado.
- Não utilize a máquina em superfícies cujo declive seja superior àquele indicado na máquina.
- Não utilize jatos de água diretos ou pressurizados ou substâncias corrosivas na limpeza da máquina. Não utilize ar comprimido para limpar este tipo de máquina, com excessão dos filtros (ver parágrafo relacionado).
- Durante a utilização da máquina, preste atenção para não causar danos à segurança das pessoas, especialmente das crianças.
- Não coloque nada que contenha líquidos sobre a máquina.
- A temperatura de armazenamento deve estar entre 0°C e $+40^\circ\text{C}$ ($+32^\circ\text{F}$ e $+104^\circ\text{F}$).
- A máquina deve ser utilizada a uma temperatura entre 0°C e $+40^\circ\text{C}$ ($+32^\circ\text{F}$ e $+104^\circ\text{F}$).
- A umidade relativa deve estar entre 30% e 95%.

DESEMPACOTAMENTO

Na entrega, verifique cuidadosamente se a máquina e sua embalagem não foram danificadas durante o transporte. Se forem constatados danos, conserve a embalagem e exija a inspeção da transportadora responsável pela entrega. Contate a transportadora imediatamente para preencher uma solicitação de indenização por danos. Verifique se os seguintes componentes acompanham a máquina:

Documentação técnica:

- Instruções de Uso
- Lista peças de reposição
- Nº 1 fusível principal 150 A (FO)
- Conector de baterias

DESCRIÇÃO DA MÁQUINA

FUNCIONAMENTO DA MÁQUINA DE VARRER TERRA™ 5200B

A máquina de varrer Terra™ 5200B é usada para limpar poeira ou detritos leves em pisos lisos e sólidos, em ambiente civil ou industrial, em condições seguras de operação por um Operador especializado.

CONVENÇÕES

As indicações para a frente, para trás, para a direita, para a esquerda ou ré deste manual devem ser entendidas a partir da posição do Operador, ou seja, no banco do condutor (23, fig. B).

DESCRIÇÃO

Área de controle

(Ver a fig. B)

1. Botão para levantar/abaixar o depósito de lixo
2. Botão da buzina
3. Botão da luz de trabalho (opcional)
4. Posição para botão opcional (luz rotativa)
5. Exibição
6. Botão de seleção de exibição para as seguintes operações, em sequência:
 - Horas de trabalho
 - Último dígito das horas - (ponto) - minutos
 - Voltagem da bateria (V)
7. Luz de advertência (vermelha) de bateria descarregada
8. Luz de advertência (amarela) de bateria semi-descarregada
9. Luz de advertência (verde) de bateria carregada
10. Volante
11. Botão de ajuste da inclinação do volante
12. Botão de parada de emergência
13. Posição do botão opcional
14. Botão do dispositivo para sacudir o filtro
15. Botão para levantar/abaixar o depósito de lixo
16. Botão para virar o depósito de lixo
17. Alavanca de ativação/desativação da aspiração
18. Interruptor de ignição
19. Alavanca de controle de bloqueio do freio de mão (em combinação com o pedal de posição 26)
20. Pedal de marcha para frente e para trás
21. Alavanca para levantar/abaixar as vassouras da direita
22. Alavanca para levantar/abaixar as vassouras da esquerda
23. Alavanca de ajuste da posição longitudinal do banco
24. Alavanca para levantar/abaixar a vassoura central
25. Pedal para levantar a aba dianteira
26. Pedal do servo-freio (freio de mão quando combinado com a alavanca de posição 19)
27. Banco do operador com microinterruptor de segurança
28. Placa com número de série/dados técnicos

Visão exterior geral

(Ver a fig. C)

3. Tapa do filtro de poeira
4. Depósito de lixo
5. Porta de abertura esquerda
6. Retentor do trinco da porta esquerda com parafusos
7. Porta de abertura direita
8. Retentor do trinco da porta direita
9. Luz de trabalho (opcional)
10. Vassoura lateral direita
11. Vassoura lateral esquerda
12. Vassoura central
13. Tapa do compartimento de baterias
14. Rodas traseiras de direção em eixo fixo
15. Roda dianteira, direção
16. Aba lateral esquerda
17. Aba lateral direita
18. Aba dianteira
19. Aba traseira
20. Recipiente do filtro de poeira
21. Luz rotativa (está sempre ligada quando o interruptor de ignição está na posição "I")
22. Parafusos de ajuste da altura da luz de trabalho

Compartimento da capota

(Ver a fig. V)

1. Capota (posição aberta)
2. Bateria
3. Tampas para bateria
4. Conector de baterias
5. Disjuntor térmico do motor da vassoura central
6. Disjuntor térmico do motor da vassoura lateral direita
7. Disjuntor térmico do motor da vassoura lateral esquerda
8. Caixa de fusíveis lamelares
9. Motor de aspiração/vassoura central
10. Ventoinha de aspiração
11. Motor de tração
12. Caixa eléctrica
13. Placa eletrônica de transmissão
14. Reservatório de óleo hidráulico do sistema de elevação do depósito de lixo
15. Diagrama de montagem das baterias
16. Haste de bloqueio da capota
17. Suporte de fixação da capota

DADOS TÉCNICOS

Gerais	Valores
Largura de limpeza (com uma vassoura lateral)	1.049 mm (41,3 pol)
Largura de limpeza (com duas vassouras laterais)	1.310 mm (51,6 pol)
Comprimento da máquina	1.752 mm (69 pol)
Largura da máquina (com uma vassoura lateral)	1.206 mm (47,5 pol)
Largura da máquina (com duas vassouras laterais)	1.310 mm (51,6 pol)
Altura máxima no nível do volante	1.351 mm (53,2 pol)
Altura mínima do chão (abas não incluídas)	58,42 mm (2,3 pol)
Altura máxima de elevação do depósito de lixo	1.651 mm (65 pol)
Peso máximo elevável pelo depósito de lixo	110 kg (242,5 lb)
Altura máxima/mínima de esvaziamento	270 mm/1.380 mm (10,6/54,3 pol)
Raio mínimo de curvatura	1.690 mm (66,5 pol)
Dimensões da vassoura central	Ø 300 mm x 800 mm (Ø 11,8 pol x 31,5 pol)
Dimensões das vassouras laterais	Ø 500 mm (Ø 19,7 pol)
Velocidade máxima para a frente	7 km/h (4,3 mph)
Máxima velocidade para trás	3,5 km/h (2,2 mph)
Inclinação máxima	16%
Peso sobre o eixo dianteiro em condições de funcionamento	280 kg (617,3 lb)
Peso sobre o eixo traseiro em condições de funcionamento	430 kg (948,0 lb)
Peso total da máquina em condições de funcionamento	710 kg (1.565,3 lb)
Roda dianteira de direção	4,00 – 4
Rodas traseiras de direção	4,00 – 4
Nível acústico (A L _{pa})	66,9 dB(A)

Motores elétricos	Valores
Voltagem do sistema elétrico	24 V
Motor de aspiração/vassoura central	24 V; 1.000 W; 2.800 RPM
Motor de tração	24 V; 750 W; 5.000 RPM
Unidade redutora das vassouras laterais	24 V; 90 W; 85 RPM
Motor do dispositivo para sacudir o filtro	24 V; 90 W; 5.700 RPM

Baterias	Valores
Baterias padrão	Nº 4 baterias de chumbo de 6 V com eletrólito ácido, ligadas em série
Baterias opcionais	Nº 1 bateria de chumbo de 24 V com eletrólito ácido

Baterias opcionais (wet ou gel, disponíveis nos revendedores Nilfisk)	Valores
Voltagem total da bateria	24 V
Capacidade das baterias utilizáveis	330 Ah
Dimensões da caixa da bateria	304x800 mm (12x31,5 pol)
Tamanho máximo do compartimento das baterias	360x800x380 mm (14,2x31,5x15,0 pol)

Aspiração e filtragem de poeira	Valores
Filtro de poeira de papel de 5-10 µm	7 m ² (10.850,0 pol ²)
Aspiração do compartimento da vassoura central	6 mm H ₂ O (0,24 pol H ₂ O)

Esquema elétrico

(Ver a fig. AF)

BE1:	Aviso luminoso (OPT)
BZ1:	Aviso sonoro
C1:	Conector das baterias
EB1:	Placa eletrônica de transmissão
EB2:	Placa de exibição
ES1:	Interruptor eletromagnético de linha
ES2:	Interruptor eletromagnético da vassoura central
ES3:	Interruptor eletromagnético da bomba (para cima)
ES4:	Interruptor eletromagnético da bomba (para baixo)
ES5:	Interruptor eletromagnético do banco
F0:	Fusível principal (150A)
F1:	Fusível de chave (15A)
F2:	Fusível da bomba hidráulica (20A)
F3:	Fusível do atuador do depósito de lixo (10A)
F4:	Fusível do dispositivo para sacudir o filtro (15A)
F5:	Fusível de serviço (10A)
F6:	Fusível da luz de trabalho (10A) (OPT)
F7:	Disjuntor da vassoura direita (10A)
F8:	Disjuntor da vassoura esquerda (10A)
F9:	Disjuntor da vassoura central (50A)
HN:	Buzina
K1:	Interruptor de ignição
L1:	Luz de trabalho (OPT)
M1:	Motor de tração
M2:	Motor da vassoura central
M3:	Bomba hidráulica
M4:	Atuador
M5:	Motor do dispositivo para sacudir o filtro
M7:	Motor da vassoura direita
M8:	Motor da vassoura esquerda
R1:	Potenciômetro de tração
SW0:	Interruptor de parada de emergência
SW1:	Interruptor de modo de marcha para a frente/para trás
SW2:	Interruptor da vassoura central
SW3:	Interruptor de segurança do depósito de lixo
SW4:	Interruptor para levantar/abaixar o depósito de lixo
SW5:	Interruptor para abrir/fechar o depósito de lixo
SW7:	Interruptor da vassoura direita
SW8:	Interruptor da vassoura esquerda
SW9:	Microinterruptor de depósito de lixo horizontal
SW10:	Microinterruptor de depósito de lixo para cima
SW11:	Microinterruptor de abertura do depósito de lixo
SW12:	Microinterruptor de para fechar o depósito de lixo
SW13:	Microinterruptor do dispositivo para sacudir o filtro
SW14:	Luz de trabalho (OPT)
SW15:	Interruptor da buzina
SW16:	Interruptor de segurança

Códigos de cores

BK:	Preto
BU:	Azul
BN:	Marrom
GN:	Verde
GY:	Cinza
OG:	Laranja
PK:	Rosa
RD:	Vermelho
VT:	Lilás
WH:	Branco

Diagrama hidráulico

(Ver a fig. AG)

1. Reservatório de óleo hidráulico
2. Filtro de óleo hidráulico
3. Bomba hidráulica
4. Motor
5. Válvula de segurança
6. Cilindro de elevação do depósito de lixo

FUSÍVEIS

Na capota, fora da caixa eléctrica, existem os seguintes fusíveis:

- **Disjuntores térmicos**, que podem ser repostos pressionando a tecla relacionada:
 - Motor da vassoura central (5, fig. V)
 - Motor da vassoura lateral direita (6, fig. V)
 - Motor da vassoura lateral esquerda (7, fig. V)
- **Os fusíveis lamelares**, protegidos por uma tampa de plástico transparente, protegem os circuitos indicados:
 - F1 (15 A) (o primeiro, começando de cima): Interruptor de ignição
 - F2 (20 A): Bomba hidráulica
 - F3 (10 A): Atuador do depósito de lixo
 - F4 (15 A): Dispositivo para sacudir o filtro
 - F5 (10 A): Serviços
 - F6 (10 A): Luzes de trabalho (opcional)
 - Reposição 1 (20 A)
 - Reposição 2 (15 A)

No interior da caixa eléctrica (12, fig. V), encontra-se o seguinte fusível:

- F0 (150 A): Principal (2, fig. Z)

ACESSÓRIOS/OPÇÕES

Além dos componentes padrão, a máquina pode ser equipada com os seguintes acessórios/opções, de acordo com a utilização específica da máquina:

- Vassouras laterais e central com cerdas mais duras e mais macias em relação às do modelo padrão;
- Filtro de poeiras em poliéster anti-estático e em poliéster BIA C;
- Filtro de bolsa;
- Luz rotativa;
- Luz de trabalho;
- Abas não marcantes;
- Rodas não marcantes;
- Proteção superior.

Para obter mais informações sobre os acessórios opcionais, consulte um Revendedor Autorizado.

USO



ATENÇÃO!

Algumas partes da máquina contêm placas adesivas que indicam:

- PERIGO
- ATENÇÃO
- ADVERTÊNCIA
- CONSULTA

Ao ler o manual, o Operador deve prestar mais atenção nesses símbolos.

As placas não devem ser cobertas em hipótese alguma; substitua-as imediatamente quando danificadas.

VERIFICAÇÃO/CONFIGURAÇÃO DE BATERIA EM UMA MÁQUINA NOVA

A máquina requer uma bateria de 24 V ou quatro baterias de 6 V ligadas de acordo com o diagrama (15, fig. V).

A máquina pode ser definida nos seguintes modos:

a) Bateria já foi instalada e está pronta para ser utilizada.

1. Abra a capota (13, fig. C) e segure-a utilizando a haste adequada (16, fig. V). Verifique se a bateria está ligada na máquina por meio do conector adequado (4, fig. V).
2. Desencaixe a haste de bloqueio, baixe a capota e verifique se está fechada correctamente.
3. Insira a chave de ignição no interruptor (18, fig. B) do painel de controle, coloque-a na posição "I" (sem ativar o pedal de marcha 20, fig. B). Se a luz de advertência verde (9, fig. B) acender, a bateria está pronta para uso.

Caso as luzes de advertência amarela ou vermelha (8 ou 7, fig. B) acenderem, será necessário carregar as baterias (veja o procedimento descrito no capítulo Manutenção).

b) Bateria instalada na máquina, sem eletrólito.

1. Abra a capota (13, fig. C) e segure-a utilizando a haste adequada (16, fig. V).
2. Remova as tampas da bateria (3, fig. V).



ATENÇÃO!

Preste muita atenção durante a manipulação de ácido sulfúrico, pois ele é corrosivo. Em caso de contato do fluido com a pele ou olhos, lave abundantemente com água e chame um médico. As baterias devem ser abastecidas em uma área bem ventilada. Use luvas de proteção.

3. Abasteça cada unidade de bateria com ácido sulfúrico para baterias [densidade de 1,27 a 1,29 kg em 25°C (2,80 a 2,84 lb em 77°F)], conforme as instruções especificadas no Manual de Instruções da Bateria.

A quantidade correta de ácido sulfúrico está indicada no Manual de Instruções da Bateria. Deixe a bateria em repouso e encha com ácido sulfúrico, conforme as instruções especificadas no Manual de Uso das Baterias.

4. Carregue a bateria (consulte o procedimento descrito no capítulo Manutenção).

c) Baterias não fornecidas

1. Compre baterias adequadas [ver parágrafo Dados técnicos e o diagrama de instalação (15, fig. V)].
Procure uma revendedora especializada para escolher e instalar a bateria.
2. Instale e configure as baterias da máquina de acordo com baterias WET ou GEL (veja o procedimento no parágrafo seguinte).
3. Recarregue as baterias (consulte o procedimento descrito no capítulo Manutenção).

INSTALAÇÃO E DEFINIÇÃO DE BATERIA WET OU GEL

Instalação das baterias

1. Instale as baterias na máquina conforme o diagrama (15, fig. V).

De acordo com as dimensões das baterias, verifique se é possível colocá-las no interior do recipiente de plástico apropriado, fornecido com a máquina.

Se as dimensões das baterias forem superiores à capacidade do recipiente, utilize as guias retangulares, fornecidas com a máquina, para garantir a estabilidade no interior do compartimento das baterias.



ATENÇÃO!

As baterias de chumbo/ácido não seladas sempre precisam de um recipiente apropriado para evitar lançamentos de ácido.

Não instale baterias de chumbo/ácido não seladas sem um recipiente adequado.

Configuração das baterias WET ou GEL



NOTA

A configuração de fábrica da máquina serve para baterias de chumbo (WET). Se esta configuração corresponder ao tipo de bateria instalada na sua máquina, não ajuste as baterias.

Caso contrário, realize as seguintes operações:

2. É necessário configurar a placa eletrônica da máquina de acordo com o tipo de baterias instaladas (WET ou GEL). Proceda da seguinte forma:
 - Mova o interruptor de ignição (18, fig. B) para a posição "0";
 - Abra a capota (13, fig. C) e segure-a utilizando a haste adequada (16, fig. V);
 - Desligue o conector da bateria (4, fig. V);
 - Retire os parafusos (1, fig. AD) e retire cuidadosamente o painel de controle da direita (2);
 - Instale um fio de ligação direta (1, fig. AE) nos conectores "WET" (2) para baterias de chumbo ou nos conectores "GEL" (3) para baterias de gel;
 - Volte a montar com cuidado o painel de controle (2, fig. AD) e fixe-o com os respectivos parafusos de fixação (1);
 - Ligue novamente o conector da bateria (4, fig. V);
 - Desencaixe a haste de bloqueio (16, fig. V) e feche a capota (13, fig. C).

ANTES DA PARTIDA DA MÁQUINA

1. Verifique se a máquina não está com tampas/capotas abertas e se está com condições normais de operação.
2. Se a máquina ainda não ter sido usada após o transporte, verifique se todos os meios de bloqueio utilizados para o transporte foram removidos.

PARTIDA E PARADA DA MÁQUINA

Partida da máquina

1. Sente-se no banco do operador (27, fig. B) e, acionando a alavanca (23), ajuste o banco longitudinalmente para uma posição confortável.
2. Desbloqueie o volante (10, fig. B) utilizando o botão (11) e ajuste a sua altura para uma posição confortável; após o ajuste, solte o botão (11) e movimente ligeiramente o volante para encaixá-lo no retentor interno.
3. Coloque a chave de ignição no interruptor (18, fig. B); rode-a para a posição "I", sem acionar o pedal (20) e, em seguida, aguarde (alguns segundos) até que a exibição (5, fig. B) se acenda e apareçam as horas de trabalho.
Verifique se a luz de advertência verde (9, fig. B) se acende.
4. Se a luz de advertência ficar vermelha ou amarela (7 ou 8, fig. B), coloque o interruptor de ignição na posição "0" e retire a chave. Carregue as baterias (consulte o procedimento descrito no capítulo Manutenção).



NOTA

O banco (27, fig. B) está equipado com um sensor de segurança, que apenas permite a utilização da máquina se o operador estiver sentado no banco do operador.

5. Solte o freio de mão acionando o pedal respectivo (26, fig. B) e desbloqueando a alavanca (19).
6. Posicione-se no local de trabalho, com as mãos no volante (10, fig. B); pressione o pedal (20) na parte dianteira para ir para frente e na parte traseira para ir para atrás.
De acordo com a pressão no pedal, a velocidade aumenta de zero até o valor máximo.
7. Baixe a vassoura central acionando a alavanca (24, fig. B) e, em seguida, ative o sistema de aspiração acionando a alavanca (17, fig. B).
8. Baixe a vassoura lateral direita acionando a alavanca (21, fig. B).
9. Baixe a vassoura lateral esquerda acionando a alavanca (22, fig. B).



NOTA

Todas as vassouras (10, 11, 12, fig. C) podem ser elevadas ou baixadas quando a máquina está em movimento.

Quando as vassouras estão elevadas, não rodam.

Quando a vassoura central está elevada, o sistema de aspiração não funciona.

10. Para varrer, coloque a máquina em funcionamento com as mãos no volante (10, fig. B) e pressione o pedal (20) correspondente.

Parada da máquina

1. Para parar a máquina, solte o pedal (20, fig. B). Para parar mais rapidamente a máquina, pressione também o pedal do servo-freio (26, fig. B). Para parar a máquina imediatamente em caso de emergência, pressione o interruptor de emergência (12, fig. B). Para desativar o interruptor de emergência (12) depois de pressioná-lo, rode-o na direção indicada pela seta no interruptor.
2. Coloque o interruptor de ignição (18, fig. B) na posição "0" e retire a chave.
3. Acione o freio de mão pisando no pedal de freio (26, fig. B) e acionando a alavanca de controle de bloqueio do freio (19).

MÁQUINA EM FUNCIONAMENTO

1. Evite parar a máquina por muito tempo na mesma posição e com as vassouras rodando: isso pode provocar marcas indesejáveis no piso.
2. Para recolher detritos leves e volumosos, levante a aba dianteira pisando no pedal (25, fig. B); considerando que a capacidade de aspiração da máquina fica reduzida quando a aba dianteira está elevada.



ATENÇÃO!

Caso seja necessário operar em terreno molhado, é indispensável, para a proteção do filtro de poeiras, desativar o sistema de aspiração acionando a alavanca (17, fig. B).

3. Para um bom funcionamento da máquina é necessário que o filtro de poeiras esteja o mais limpo possível. Para limpá-lo durante o seu funcionamento, proceda da seguinte forma:
 - Levante a vassoura central acionando a alavanca (24, fig. B) para desativar o sistema de aspiração;
 - Pressione o botão do dispositivo para sacudir o filtro (14, fig. B) em intervalos curtos;
 - Em seguida, baixe a vassoura central para voltar a ativar o sistema de aspiração e retome a operação. Repita a operação pelo menos de dez em dez minutos durante o trabalho (de acordo com as condições de poeira da área).



NOTA

Esta operação também pode ser realizada quando a máquina estiver em movimento.



NOTA

Quando o filtro de poeiras estiver entupido e/ou o depósito de lixo cheio, a máquina não conseguirá recolher poeiras e detritos.

4. O depósito de lixo (4, fig. C) deve ser esvaziado depois de um período de trabalho e sempre que estiver cheio.

ESVAZIAMENTO DO DEPÓSITO DE LIXO

1. A altura de esvaziamento máxima é de 1.380 mm (54,3 pol) (ver a fig. U).
2. Para esvaziar o depósito de lixo, leve a máquina para próximo do lixo e proceda da seguinte forma:
 - Levante as vassouras laterais e central;
 - Desative o sistema de aspiração acionando a alavanca (17, fig. B);
 - Pressione o botão do dispositivo para sacudir o filtro (14, fig. B).



ATENÇÃO!

Realize sempre esta operação em uma superfície plana para evitar desequilíbrios da máquina.



ATENÇÃO!

Quando elevar e esvaziar o depósito de lixo (4, fig. C), mantenha o freio de mão acionado pressionando o pedal e acionando a alavanca (26 e 19, fig. B).

3. Mantenha as pessoas afastadas da máquina e especialmente do depósito de lixo (4, fig. C).
4. Pressione o botão de consentimento (1, fig. B) e o botão de elevação do depósito de lixo (15) para elevar o depósito de lixo (1, fig. T) até à posição pretendida.
5. Pressione o botão de consentimento (1, fig. B) e o botão (16, fig. B) para virar o depósito de lixo (2, fig. U) e despeje todos os detritos no lixo (1, fig. U).



ADVERTÊNCIA!

O depósito de lixo (2, fig. U) pode ser virado somente após ter sido elevado a uma altura mínima de 270 mm (10,6 pol).

6. Para virar o depósito de lixo para a posição horizontal, pressione o botão de consentimento (1, fig. B) enquanto pressiona o botão para virar o depósito de lixo (16, fig. B).
7. Para baixar o depósito de lixo, pressione o botão de consentimento (1, fig. B) e o botão para abaixar o depósito de lixo (15).



ADVERTÊNCIA!

O depósito de lixo só pode ser baixado se não estiver na sua posição original (posição horizontal).

8. A máquina está pronta para retomar o trabalho.

APÓS O USO DA MÁQUINA

Ao concluir o trabalho, antes de guardar a máquina:

- Levante a vassoura central acionando a alavanca (24, fig. B).
- Levante as vassouras laterais acionando as alavancas (21 e 22, fig. B).
- Desative o sistema de aspiração acionando a alavanca (17, fig. B), em seguida, pressione o botão do dispositivo para sacudir o filtro (14, fig. B) durante um curto período e ative novamente o sistema de aspiração.
- Esvazie o depósito de lixo (4, fig. C) (ver parágrafo anterior).
- Retire a chave do interruptor de ignição (18, fig. B).
- Acione o freio de mão pisando no pedal de freio (26, fig. B) e acionando a alavanca de controle de bloqueio do freio (19).

AJUSTE DA LUZ DE TRABALHO

Se for necessário ajustar a altura do feixe da luz de trabalho (9, fig. C), ajuste os parafusos (22).

DESATIVAÇÃO PROLONGADA DA MÁQUINA

No caso da não-utilização da máquina por um período superior a 30 dias, proceda da seguinte maneira:

- Verifique se o local em que a máquina está guardada está seco e limpo.
- Desligue o conector da bateria (4, fig. V).

PERÍODO INICIAL DE USO

Após o período inicial de uso (as primeiras 8 horas de uso), é preciso verificar se os elementos de fixação e conexão estão apertados corretamente; fazer a inspeção visual das peças e procurar por eventuais rupturas.

MANUTENÇÃO

A durabilidade da máquina e a sua máxima segurança de operação são garantidas por uma manutenção cuidadosa e regular.

A tabela abaixo resume o programa de manutenção necessário. Os intervalos indicados podem ser alterados, adequando-se às condições de trabalho. Tais intervalos devem ser definidos pelo encarregado da manutenção.



ATENÇÃO!

Estas operações devem ser realizadas com a máquina desligada, a chave de ignição não colocada e (se necessário) a bateria desligada.

Além disso, leia cuidadosamente todas as instruções do capítulo Segurança.

Todas as operações de manutenção programadas ou especiais devem ser efetuadas por uma pessoa especializada ou por um Centro de Atendimento Autorizado.

Neste manual estão indicados apenas os procedimentos de manutenção mais simples e mais frequentes.



NOTA

Para os demais procedimentos de manutenção contidos na Tabela de Manutenção Programada, consulte o Manual de Manutenção disponível em qualquer Centro de Atendimento.

TABELA DE MANUTENÇÃO PROGRAMADA

Operação de manutenção	No momento da entrega	A cada 10 horas	A cada 50 horas	A cada 100 horas	A cada 200 horas	A cada 400 horas
Verificação do nível do fluido da bateria		(1)				
Verificação do nível de óleo hidráulico do sistema de elevação do depósito de lixo			(1)			
Inspeção visual e verificação da tensão da correia entre o motor e a vassoura central				(*)		
Verificação da altura e do funcionamento das abas						
Verificação da altura das vassouras laterais e central						
Limpeza do filtro de poeira da estrutura verificação do seu estado						
Limpeza do filtro de poeira da bolsa e verificação do seu estado						
Verificação do funcionamento do dispositivo para sacudir o filtro			(*)			
Ajuste do freio				(*)		
Verificação do ajuste de porcas e parafusos				(*) (2)		
Verificação da tensão e da limpeza da corrente das rodas de direção			(*)			
Limpeza da corrente de direção				(*)		
Verificação do estado da mangueira de aspiração				(*)		
Substituição da correia entre a polia e a vassoura central					(*)	
Substituição da correia trapezoidal da polia entre o motor e a vassoura central					(*)	
Verificação do estado da vedação do depósito de lixo					(*)	
Verificação do ajuste do microinterruptor de controle da posição elevada do depósito de lixo					(*)	
Verificação do ajuste do microinterruptor de controle da posição horizontal do depósito de lixo					(*)	
Verificação e substituição das escovas de carbono do motor						(*)
Mudança do óleo hidráulico						(*) (3)

(*): para o respectivo procedimento, consulte o Manual de manutenção.

(1): ou antes de cada partida.

(2): e após as primeiras 8 horas de funcionamento

(3): troque o óleo hidráulico pela primeira vez após 500 horas e, em seguida, após 2.000 horas ou todos os anos

VERIFICAÇÃO E REGULAÇÃO DA ALTURA DA VASSOURA CENTRAL



NOTA

São fornecidas vassouras com vários tipos de cerdas. Este procedimento é aplicável a todos os tipos de vassoura.

1. Verifique se a altura do solo da vassoura central está correta, procedendo da seguinte maneira:
 - Posicione a máquina em um piso plano;
 - Mantenha a máquina parada, rode a vassoura central por alguns segundos;
 - Pare e levante a vassoura central, depois, mova a máquina;
 - Verifique se a marca (1, fig. D) deixada pela vassoura central, em toda a sua largura, tem uma largura entre 20 e 40 mm (0,79 e 1,57 pol). Se a marca (1) for diferente, ajuste a altura da vassoura, como é descrito nas etapas seguintes.
2. Pare a máquina colocando o interruptor de ignição (18, fig. B) na posição "0".



ATENÇÃO!

Antes de abrir a porta esquerda (5, fig. C), sempre é necessário parar a máquina para impedir o movimento da correia e da polia.

3. Solte o retentor (6, fig. C) após retirar o parafuso correspondente utilizando uma chave de parafusos.
4. Abra a porta a esquerda (5, fig. C).
5. Desaperte a porca de aperto (2, fig. E).
6. Gire o botão (1, fig. E) e lembre-se que:
 - Para reduzir a pressão da vassoura no chão, ele deve ser apertado;
 - Para aumentar a pressão da vassoura no chão, ele deve ser desapertado.



NOTA

Quando o botão está totalmente desapertado, atinge a pressão máxima da vassoura no chão.

7. Aperte a porca de aperto (2, fig. E).
8. Execute novamente a etapa 1 para verificar o ajuste adequado da altura do solo da vassoura central.
9. Quando a vassoura estiver muito usada e já não for possível o seu ajuste, substitua-a seguindo as instruções do parágrafo seguinte.
10. Encaixe o retentor (6) e feche a porta esquerda (5, fig. C).



NOTA

Se não for possível ajustar corretamente a marca (1, fig. D), uma vez que a pressão das vassouras são diferentes entre si, consulte no Manual de Manutenção o procedimento de ajuste correto.

SUBSTITUIÇÃO DA VASSOURA CENTRAL



NOTA

São fornecidas vassouras com vários tipos de cerdas. Este procedimento é aplicável a todos os tipos de vassoura.



ADVERTÊNCIA!

Aconselha-se o uso de luvas durante a substituição da vassoura central devido à possível presença de detritos cortantes inseridos entre as cerdas.

1. Conduza a máquina para uma superfície plana e acione o freio de mão por meio do pedal e da alavanca (26 e 19, fig. B).
2. Gire o interruptor de ignição (18, fig. B) para a posição "0".
3. Abra a capota (1, fig. V) e desligue o conector da bateria (4, fig. V).
4. Desencaixe o retentor (8) e abra a porta direita (7, fig. C).
5. Desaperte e retire os botões (1, fig. F).
6. Retire a tampa do compartimento das vassouras (1, fig. G).
7. Retire a vassoura (1, fig. H).
8. Verifique também se o ponto central de direção (1, fig. I) não tem sujeiras ou objetos (cordas, roupa, etc.), que ficaram presos acidentalmente.
9. A nova vassoura deve ser instalada com as cerdas posicionadas como está representado na figura (2, fig. I).
10. Instale a nova vassoura (3, fig. I) na máquina e verifique se a sua flange (4) se encaixa corretamente no ponto central de direção correspondente (1).
11. Volte a instalar a tampa do compartimento das vassouras (1, fig. G) e aperte os botões (1, fig. F).
12. Encaixe o retentor (8) e feche a porta direita (7, fig. C).
13. Verifique e regule a altura da vassoura central, como indicado no parágrafo anterior.

VERIFICAÇÃO E REGULAÇÃO DA ALTURA DAS VASSOURAS LATERAIS



NOTA

São fornecidas vassouras com vários tipos de cerdas. Este procedimento é aplicável a todos os tipos de vassoura.

1. Verifique se a altura do solo das vassouras laterais está correta, procedendo da seguinte maneira:
 - Posicione a máquina em um piso plano;
 - Mantendo a máquina parada, baixe as vassouras laterais e faça-as rodar durante alguns segundos;
 - Pare e levante as vassouras laterais, depois, mova a máquina;
 - Verifique se as marcas das vassouras laterais são, em extensão e orientação, iguais às mostradas na figura (1 e 2, fig. J).
Se uma ou ambas as marcas não estiverem conforme especificado, ajuste a altura da vassoura, procedendo como é descrito nos pontos seguintes.
2. Acione o freio de mão por meio do pedal e da alavanca (26 e 19, fig. B).
3. Gire o interruptor de ignição (18, fig. B) para a posição "0".
4. Abra a capota (13, fig. C) e segure-a utilizando a haste adequada (16, fig. V).
5. **Para a vassoura lateral direita**, acione a engrenagem condutora da alavanca (1, fig. K): Desaperte a porca com olhal (2) e ajuste o registo (3) até alcançar a marca correta (1, fig. J). Instale o registo e coloque-o na alavanca com a porca com olhal (2, fig. K).
Para a vassoura lateral esquerda, acione a engrenagem condutora da alavanca (4, fig. K): Desaperte a porca com olhal (5) e ajuste o registo (6) até alcançar a marca correta (2, fig. J). Instale o registo e coloque-o na alavanca com a porca com olhal (5, fig. K).
6. Execute novamente a etapa 1 para verificar o ajuste correto da altura do solo das vassouras laterais.
7. Quando a vassoura estiver muito usada e já não for possível o seu ajuste, substitua-a seguindo as instruções do parágrafo seguinte.



NOTA

Se necessário, também é possível ajustar a inclinação das vassouras laterais. Consulte o Manual de Manutenção para o respectivo procedimento.

SUBSTITUIÇÃO DAS VASSOURAS LATERAIS



NOTA

São fornecidas vassouras com vários tipos de cerdas. Este procedimento é aplicável a todos os tipos de vassoura.



ADVERTÊNCIA!

Aconselha-se o uso de luvas durante a substituição das vassouras laterais devido à possível presença de detritos cortantes inseridos entre as cerdas.

1. Conduza a máquina para uma superfície plana e acione o freio de mão por meio do pedal e da alavanca (26 e 19, fig. B).
2. Gire o interruptor de ignição (18, fig. B) para a posição "0".
3. Acione a alavanca (21 ou 22, fig. B) para baixar a vassoura lateral correspondente.
4. Retire o parafuso (1, fig. L) no interior da vassoura lateral e, em seguida, retire a vassoura e o ponto central (2) desencaixando-o do eixo (3). Restabeleça a chave (4) e a arruela (5).
5. Na bancada de trabalho, retire os quatro parafusos e porcas (6) e separe a vassoura (8) do ponto central (7).
6. Instale a nova vassoura (8) no ponto central (7) e aperte os parafusos e as porcas (6).
7. Reinstale a nova vassoura e o ponto central (2) na máquina após apoiar a chave (4). Reinstale a arruela (5) e aperte o parafuso (1).
8. Verifique e regule a altura das vassouras laterais como indicado no parágrafo anterior.

LIMPEZA DO FILTRO DE POEIRA DA ESTRUTURA E VERIFICAÇÃO DO SEU ESTADO



NOTA

Além do filtro de papel padrão, também estão disponíveis filtros de poliéster opcionais. O procedimento a seguir pode ser aplicado a qualquer tipo.

1. Conduza a máquina para uma superfície plana e acione o freio de mão por meio do pedal e da alavanca (26 e 19, fig. B).
2. Gire o interruptor de ignição (18, fig. B) para a posição "0".
3. Abra a capota (13, fig. C) e segure-a utilizando a haste adequada (16, fig. V).
4. Desligue o conector da bateria (4, fig. V). Retire a tampa do filtro (2, fig. M) desencaixando-a dos retentores (1).
5. Desligue o conector elétrico (1, fig. N) do dispositivo para sacudir o filtro.
6. Retire os botões de fixação da estrutura de suporte do dispositivo para sacudir o filtro (2, fig. N).
7. Retire a estrutura de suporte do filtro (3, fig. N).
8. Retire o filtro de poeira (4, fig. N).
9. Num espaço ao ar livre, limpe o filtro sacudindo-o sobre uma superfície plana e limpa, batendo com o lado (1, fig. O) oposto ao da rede (2). Complete a limpeza com um jato de ar comprimido (3) a um máximo de 6 bars, soprando apenas do lado protegido pela rede (2) a uma distância mínima de 30 cm.
Além disso, tome os seguintes cuidados em função do tipo de filtro tratado:
 - Filtro de papel (padrão): não utilize água ou detergentes para limpá-lo; o filtro pode ficar danificado;
 - Filtro de poliéster (opcional): para a limpeza, ver as instruções mencionadas anteriormente. Se for necessário, para uma limpeza mais profunda, é permitido lavar o filtro com água e eventualmente com detergente que não faça espuma. Não se esqueça que este tipo de lavagem, mesmo sendo de melhor qualidade, reduz a vida útil do filtro que deverá ser substituído mais freqüentemente. A utilização de detergentes inadequados prejudica as características de funcionamento do filtro.
 Verifique se o corpo do filtro está desgastado.
10. Limpe a vedação de borracha (1, fig. P) do compartimento do filtro, ao longo de todo o seu perímetro e verifique o seu estado. Se for necessário, substitua-o.
11. Instale pela ordem inversa ao da remoção (passos de 8 a 1).



ATENÇÃO!

Quando reinstalar o filtro, a rede (2, fig. O) deve estar voltada para cima.

LIMPEZA DO FILTRO DE POEIRA DA BOLSA E VERIFICAÇÃO DO SEU ESTADO



NOTA

Os filtros de bolsa em poliéster normalmente são ficam limpos ao ativar o dispositivo elétrico para sacudir o filtro fornecido com a máquina. Se necessário, podem ser limpos utilizando o procedimento indicado a seguir. Quando as superfícies de filtração já não forem adequadas, será necessário substituir o filtro.

1. Conduza a máquina para uma superfície plana e acione o freio de mão por meio do pedal e da alavanca (26 e 19, fig. B).
2. Gire o interruptor de ignição (18, fig. B) para a posição "0".
3. Abra a capota (13, fig. C) e segure-a utilizando a haste adequada (16, fig. V).
4. Retire a tampa do filtro (2, fig. M) desencaixando-a dos retentores (1).
5. Desaperte os botões (1, Fig. AA) e remova os suportes (2).
6. Puxe o filtro de poeira (1, fig. AB) para fora e retire-o depois de desligar o conector elétrico (2) do dispositivo para sacudir o filtro.
7. Desmonte a superfície de filtração em poliéster, conforme indicado pelos passos seguintes; estes procedimentos devem ser realizados numa área adequada ao ar livre e o Operador deve estar com os equipamentos adequados (luvas, máscara, óculos).
8. Retire o motor do dispositivo para sacudir o filtro (1, fig. AC) desapertando os dois parafusos de fixação.
9. Abra a unidade de suporte (2, fig. AC) do motor do dispositivo para sacudir o filtro completamente e solte as hastes de tensão da bolsa de filtração (3).
10. Retire todas as hastes de tensão da bolsa de filtração (4, fig. AC).
11. Abra o cabo de retenção superior (5, fig. AC) do filtro de bolsa fechado para retirá-lo da estrutura superior (6).
12. Retire o separador interno da bolsa (7, Fig. AC).
13. Limpe a superfície de fibras de poliéster (8, fig. AC) ao lado da sujeira, utilizando um aspirador externo, estendendo-a completamente ou limpando de bolsa para bolsa. Ao mesmo tempo, limpe ambas as superfícies do separador de bolsas (7, fig. AC) retirando todos os depósitos das mesmas. Verifique se a superfície de filtração não está cortada, se estiver, substitua-a. Também é possível utilizar ar comprimido (máx. 6 bars), fazendo soprar ar do lado limpo para o lado da sujeira.



ATENÇÃO!

Não é aconselhado lavar o filtro com água. A fibra de poliéster pode encolher e tornar-se inutilizada.

14. Monte novamente todos os componentes do filtro pela ordem inversa da desmontagem.
15. Se necessário, limpe a vedação de borracha (3, fig. AB) do compartimento do filtro, ao longo de todo o seu perímetro e verifique o seu estado. Se for necessário, substitua-a.
16. Monte novamente todos os componentes pela ordem inversa à da desmontagem.

VERIFICAÇÃO DA ALTURA E DO FUNCIONAMENTO DAS ABAS

Aba lateral

1. Coloque a máquina em um terreno plano e adequado a servir como plano de referência para a verificação correta altura das abas.
2. Acione o freio de mão por meio do pedal e da alavanca (26 e 19, fig. B).
3. Gire o interruptor de ignição (18, fig. B) para a posição "0".
4. Desencaixe os retentores (8 e 6) e abra as portas da direita e da esquerda (7 e 5, fig. C).
5. Verifique o estado da aba lateral (2, fig. F). Substitua as abas quando apresentarem cortes (1, fig. Q) maiores que 20 mm (0,79 pol) ou fissuras/rasgos (2) maiores que 10 mm (0,39 pol) (consultar o Manual de manutenção para a substituição das abas).
6. Verifique se a altura da aba lateral (2, fig. F) do solo está entre 0 e 3 mm (0 e 0,12 pol) (fig. R). Depois de desapertar os parafusos (3, fig. F), se necessário, ajuste a posição da aba. Em seguida, aperte os parafusos (3).

Aba dianteira e traseira

7. Remova a vassoura central, como indicado no parágrafo relacionado.
8. Verifique o estado das abas dianteiras e traseiras (1 e 2, fig. W). Substitua as abas quando apresentarem cortes (1, fig. Q) maiores que 20 mm (0,79 pol) ou fissuras/rasgos (2) maiores que 10 mm (0,39 pol) (consultar o Manual de manutenção para a substituição das abas).
9. Verifique se as abas dianteiras e traseiras (1 e 2, fig. W) encostam ligeiramente no solo mas não estão totalmente erguidas do solo (ver a figura S). Depois de desapertar os parafusos (3, fig. W), se necessário, ajuste a posição da aba. Em seguida, aperte os parafusos (3).
10. Pressione totalmente o pedal de elevação da aba dianteira (25, fig. B) e verifique se ela é erguida cerca de 50 mm (1,97 pol). Solte o pedal e verifique se a aba volta à posição inicial e não a uma posição intermédia. Se necessário, ajuste o cabo de elevação da aba (1, fig. X) utilizando o regulador (2) do lado dianteiro esquerdo (para a substituição do cabo de controle da aba dianteira, consulte o Manual de Manutenção).
11. Monte novamente todos os componentes pela ordem inversa à da desmontagem.

VERIFICAÇÃO DO NÍVEL DE ÓLEO HIDRÁULICO DO SISTEMA DE ELEVAÇÃO DO DEPÓSITO DE LIXO



ADVERTÊNCIA!

Estas operações devem ser realizadas com o depósito de lixo (4, fig. C) na sua posição original (conforme mostrado na figura).

1. Acione o freio de mão por meio do pedal e da alavanca (26 e 19, fig. B).
2. Abra a capota (1, fig. V) e segure-a utilizando a haste adequada (16, fig. V).
3. Verifique se o nível de óleo hidráulico no reservatório (14, fig. V) está entre os indicadores MIN e MÁX (conforme mostrado na fig. Y).
4. Se necessário, acrescente óleo hidráulico - grau de viscosidade 32 cSt - até ao bujão (1, fig. Y).
5. Desencaixe a haste de bloqueio (16, fig. V) e feche a capota (1, Fig. V).

CARREGAMENTO DA BATERIA



ATENÇÃO!

O carregamento das baterias produz gás hidrogênio explosivo. Carregar as baterias somente em áreas bem ventiladas e longe de chamas.

Não fume durante o carregamento das baterias.

Mantenha a capota aberta durante o recarregamento da bateria.



ATENÇÃO!

Tenha muito cuidado durante o carregamento de baterias, pois é possível a fuga de pequenas quantidades de líquido na fase de carregamento. O material do fluido de bateria é corrosivo. Em caso de contato do fluido com a pele ou os olhos, lave abundantemente com água e consulte um médico.

1. Conduza a máquina para uma superfície plana e acione o freio de mão por meio do pedal e da alavanca (26 e 19, fig. B).
2. Gire o interruptor de ignição (18, fig. B) para a posição "0".
3. Abra a capota (13, fig. C) e segure-a utilizando a haste adequada (16, fig. V).
4. Verifique o nível de eletrólito no interior das baterias; se necessário, complete o nível por meio das tampas (3, fig. V). Deixe as tampas (3) abertas para o próximo recarregamento. Limpe, se necessário, a superfície superior das baterias.
5. Verifique se o carregador de baterias é adequado, consultando as instruções do aparelho. A voltagem nominal do carregador de bateria é igual a 24 V. O carregador de baterias deve ser adequado para a bateria instalada na máquina.

6. Desligue o conector (4, fig. V) das baterias e ligue-o ao carregador de bateria externo.
7. Ligue o carregador de bateria na rede elétrica e carregue as baterias.
8. Quando o recarregamento estiver concluído, desligue o carregador de baterias da rede elétrica e do conector da bateria (4, fig. V).
9. Verifique o nível de eletrólito no interior das baterias e feche as tampas (3, fig. V).
10. Ligue novamente o conector da bateria (4, fig. V) na máquina.
11. Desencaixe a haste de bloqueio (16, fig. V) e feche a capota (13, fig. C); a máquina está pronta para ser utilizada.

FUNÇÕES DE SEGURANÇA

A máquina está equipada com as seguintes funções de segurança.

INTERRUPTOR DE CONSENTIMENTO DE FUNCIONAMENTO

Permite à máquina funcionar apenas se o operador estiver sentado no banco do operador (27, fig. B).

INTERRUPTOR DE EMERGÊNCIA

Está na posição 12, fig. B, facilmente acessível ao operador; deve ser pressionado quando for necessário parar imediatamente o funcionamento da máquina.

BOTÃO DE CONSENTIMENTO PARA ELEVAR/ABAIXAR O DEPÓSITO DE LIXO

Está na posição 1, fig. B e deve ficar pressionado para ativar os botões para elevar/abaixar e virar o depósito de lixo.

VÁLVULA DO DISPOSITIVO DE SEGURANÇA DO CILINDRO DE ELEVAÇÃO DO DEPÓSITO DE LIXO

Está localizado no cilindro de elevação do depósito de lixo.

Interrompe o depósito de lixo na posição alcançada (sem possibilidade de abaixar acidentalmente) em caso de quebra das tubagens do sistema hidráulico que alimentam o cilindro de elevação.

LOCALIZAÇÃO DE DEFEITOS

DEFEITO	SOLUÇÃO
Depois de colocar o interruptor de ignição (18, fig. B) na posição "I", a exibição não se acende e a máquina não funciona.	Verifique se o conector da bateria (4, fig. V) está ligado corretamente à máquina. Verifique o estado dos seguintes fusíveis: F1 (1, fig. Z) e F0 (2, fig. Z)
A máquina não se movimenta ao pressionar o pedal do acelerador	Gire o interruptor de ignição na posição "0" e, em seguida, na posição "I", tendo o cuidado de não pressionar o pedal do acelerador durante esta operação.
A vassoura central não funciona	Verifique se o disjuntor térmico correspondente (5, fig. V) está desativado; nesse caso, reative-o pressionando a tecla correspondente.
As vassouras laterais não funcionam	Verifique se o disjuntor térmico correspondente (6 ou 7, fig. V) está desativado; nesse caso, reative-o pressionando a tecla correspondente.
A máquina funciona somente quando está parada, se for utilizada de outra forma, desliga-se e a luz de advertência vermelha se acende.	Recarregue a bateria. Se o problema persistir, substitua as baterias
A máquina recolhe poucos detritos/poeira	Verifique se o filtro de poeira (4, fig. N) está obstruído
	Verifique se o depósito de lixo (4, fig. C) está cheio.
	Verifique se as abas (16, 17, 18, 19, fig. C) estão quebradas ou ajustadas incorretamente
	Verifique a altura correta das vassouras (10, 11, 12, fig. C)
A bateria tem pouca autonomia.	Instale uma bateria com maior capacidade: (240 Ah)
O depósito de lixo não é erguido	Verifique o estado do fusível (F2, fig. Z)
O depósito de lixo não é virado	Verifique o estado do fusível (F3, fig. Z)
	Verifique se o depósito de lixo é erguido do solo a uma altura superior a 270 mm (10,6 pol)
O depósito de lixo não é baixado	Antes de baixar o depósito de lixo pressionando o botão (15, fig. B), verifique se o depósito de lixo está na posição horizontal pressionando o botão (16, fig. B)
O dispositivo para sacudir o filtro não funciona	Accione a alavanca (24, fig. B) para verificar se a vassoura central está erguida
	Verifique o estado do fusível (F4, fig. Z)

Para obter mais informações consulte o Manual de Manutenção em qualquer Centro de Assistência da Nilfisk.

DESCARTE

O sucateamento da máquina deve ser feito por um serviço especializado.

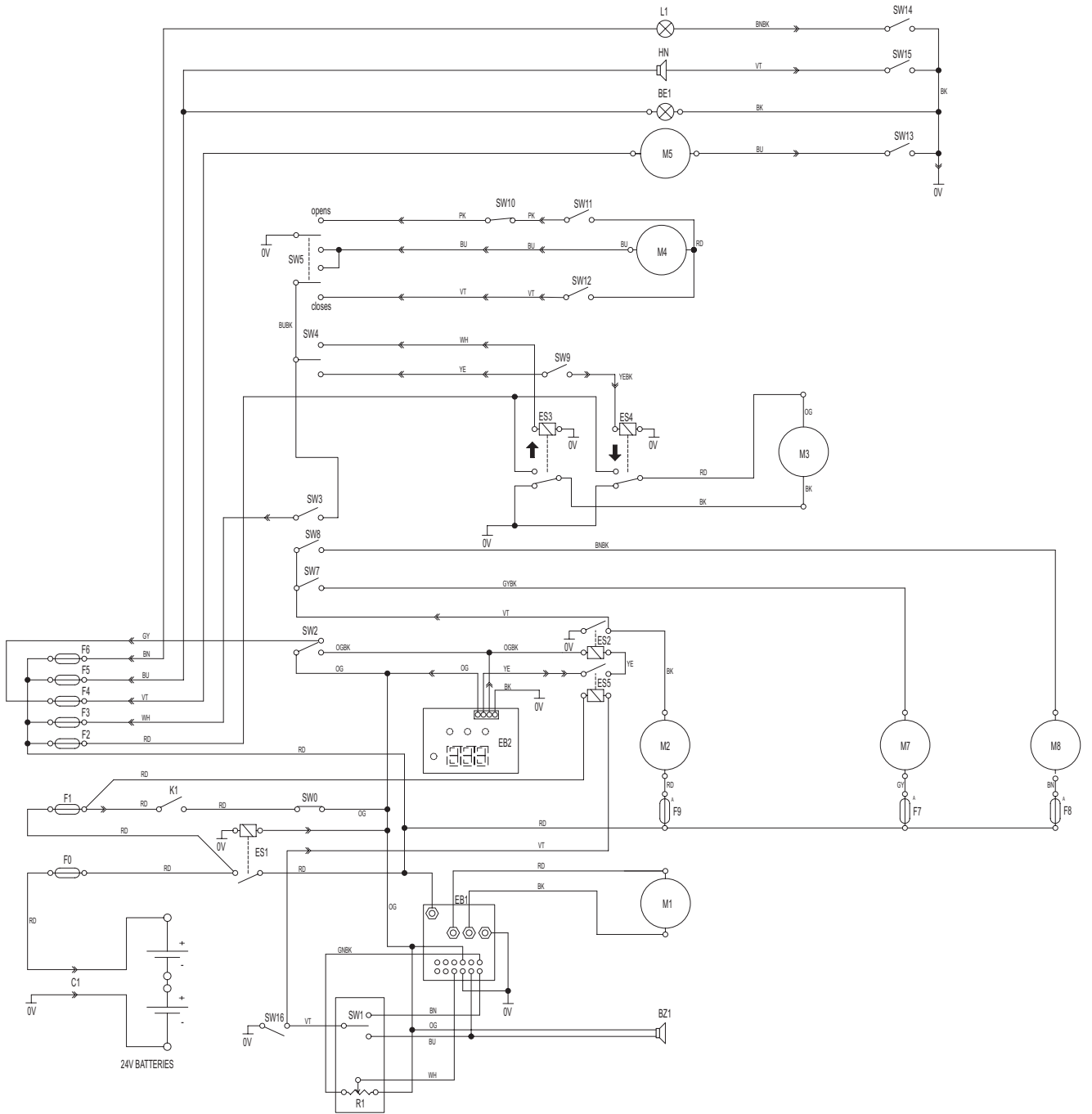
Em todo caso, antes de se desfazer da máquina, é necessário remover os seguintes materiais:

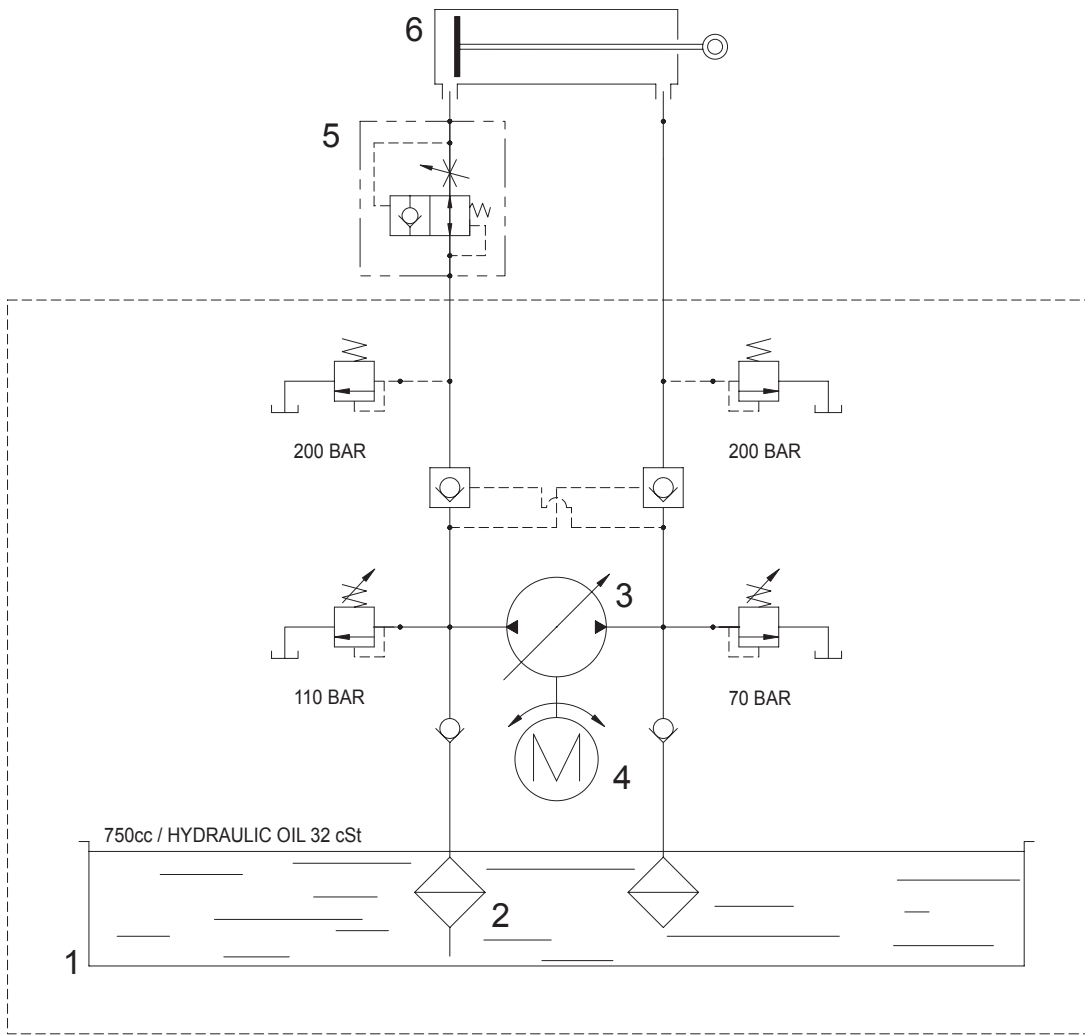
- Bateria
- Filtro de poeira em poliéster
- Vassouras central e laterais
- Óleo hidráulico
- Filtro de óleo hidráulico
- Placas eletrônicas
- Tubos e peças em material plástico

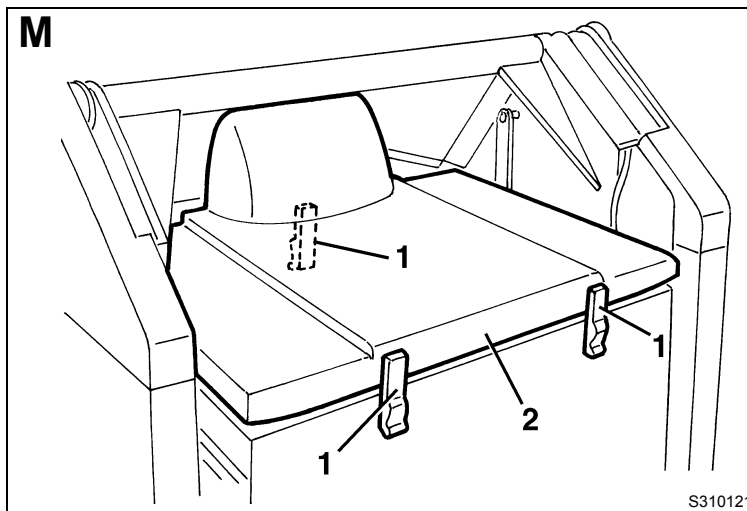


ADVERTÊNCIA!

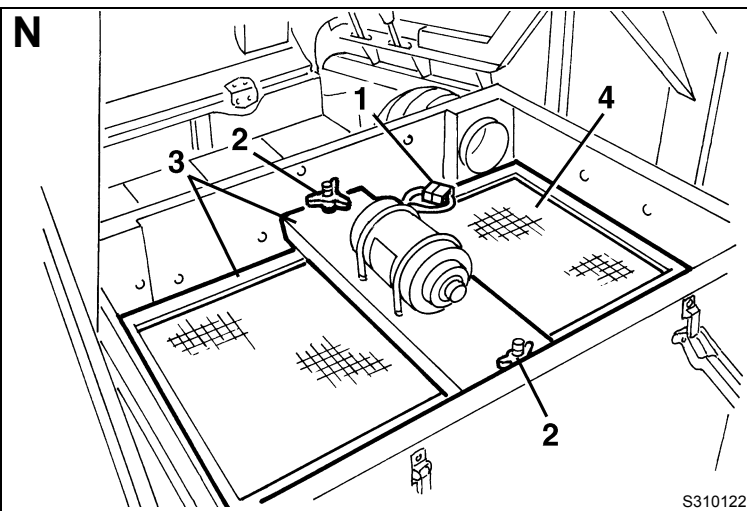
Os componentes removidos devem ser descartados conforme a legislação vigente.



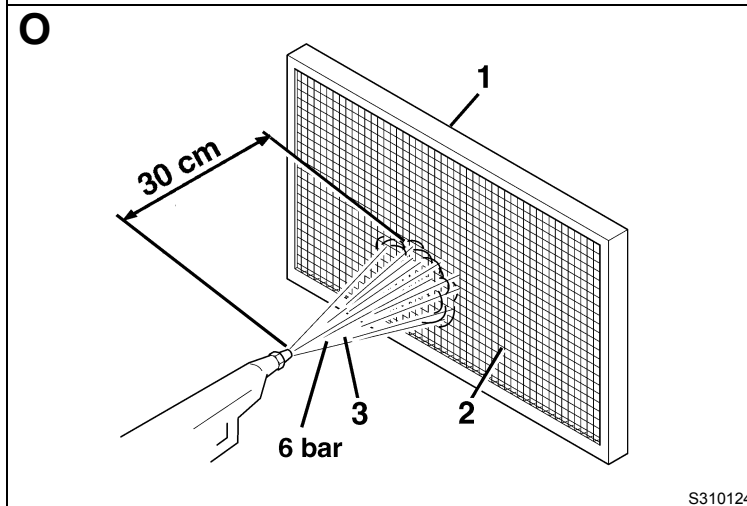




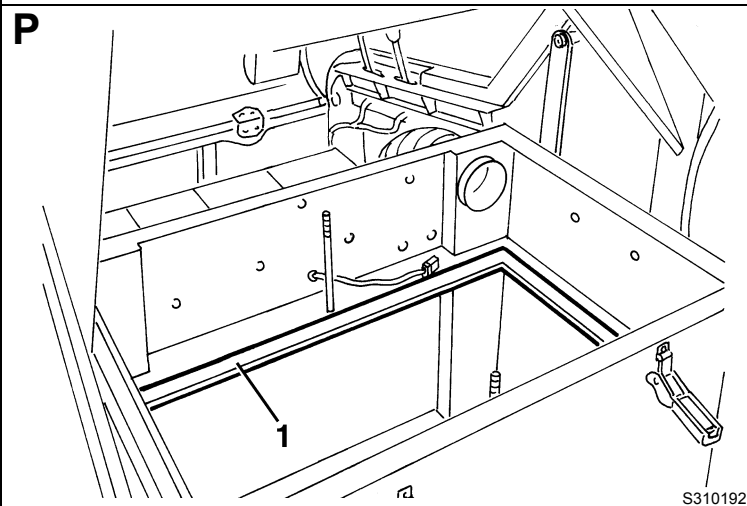
S310121



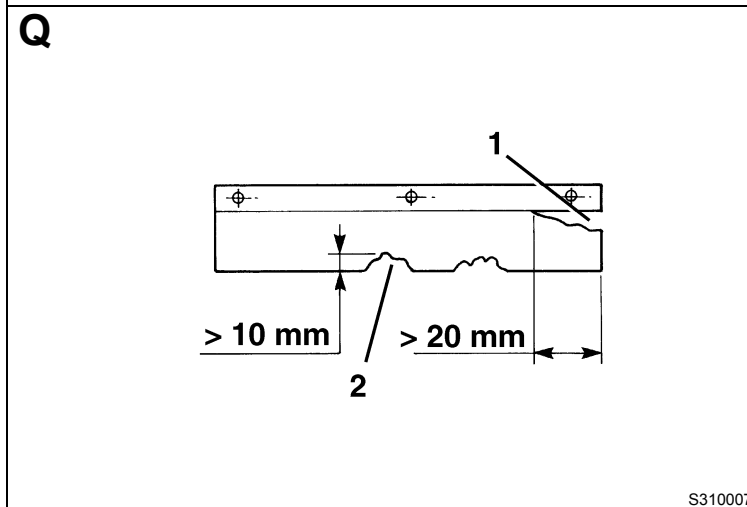
S310122



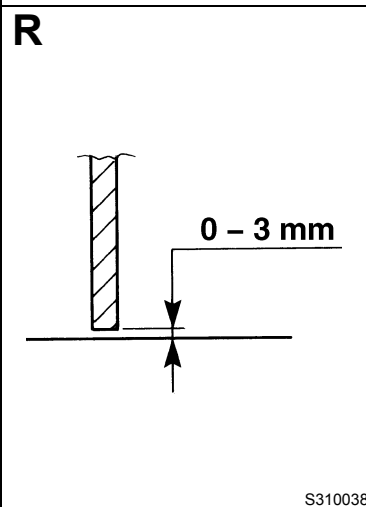
S310124



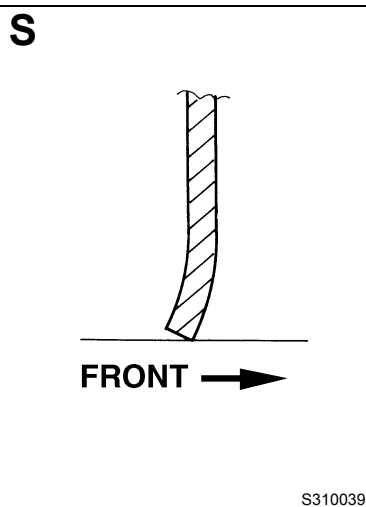
S310192



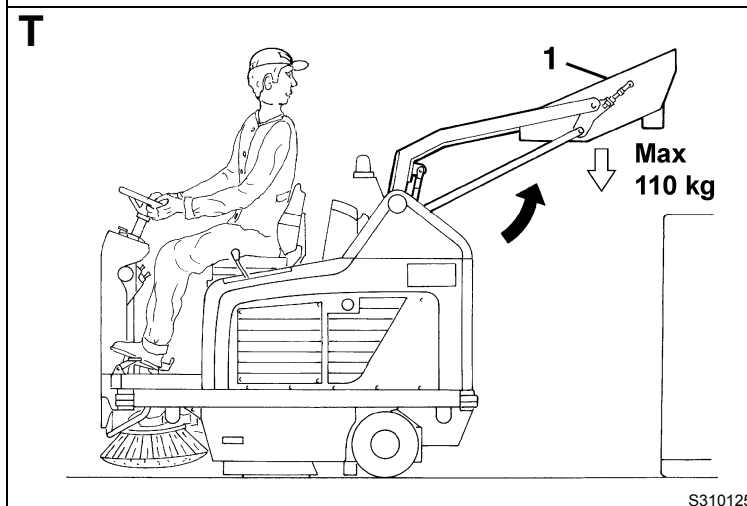
S310007



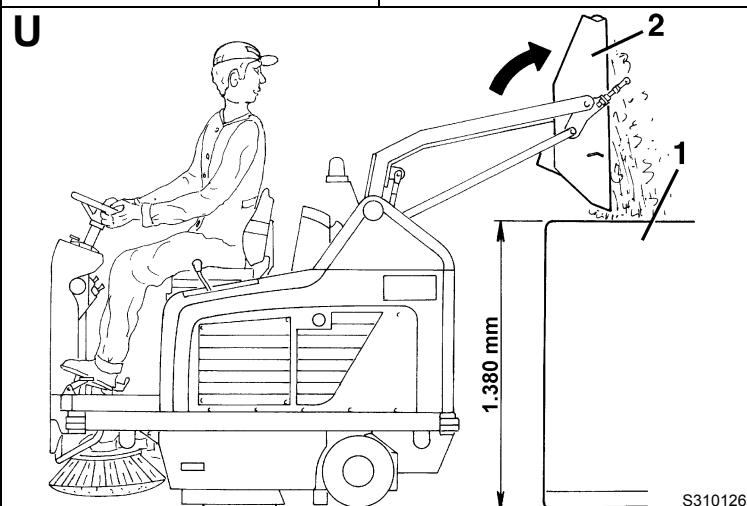
S310038



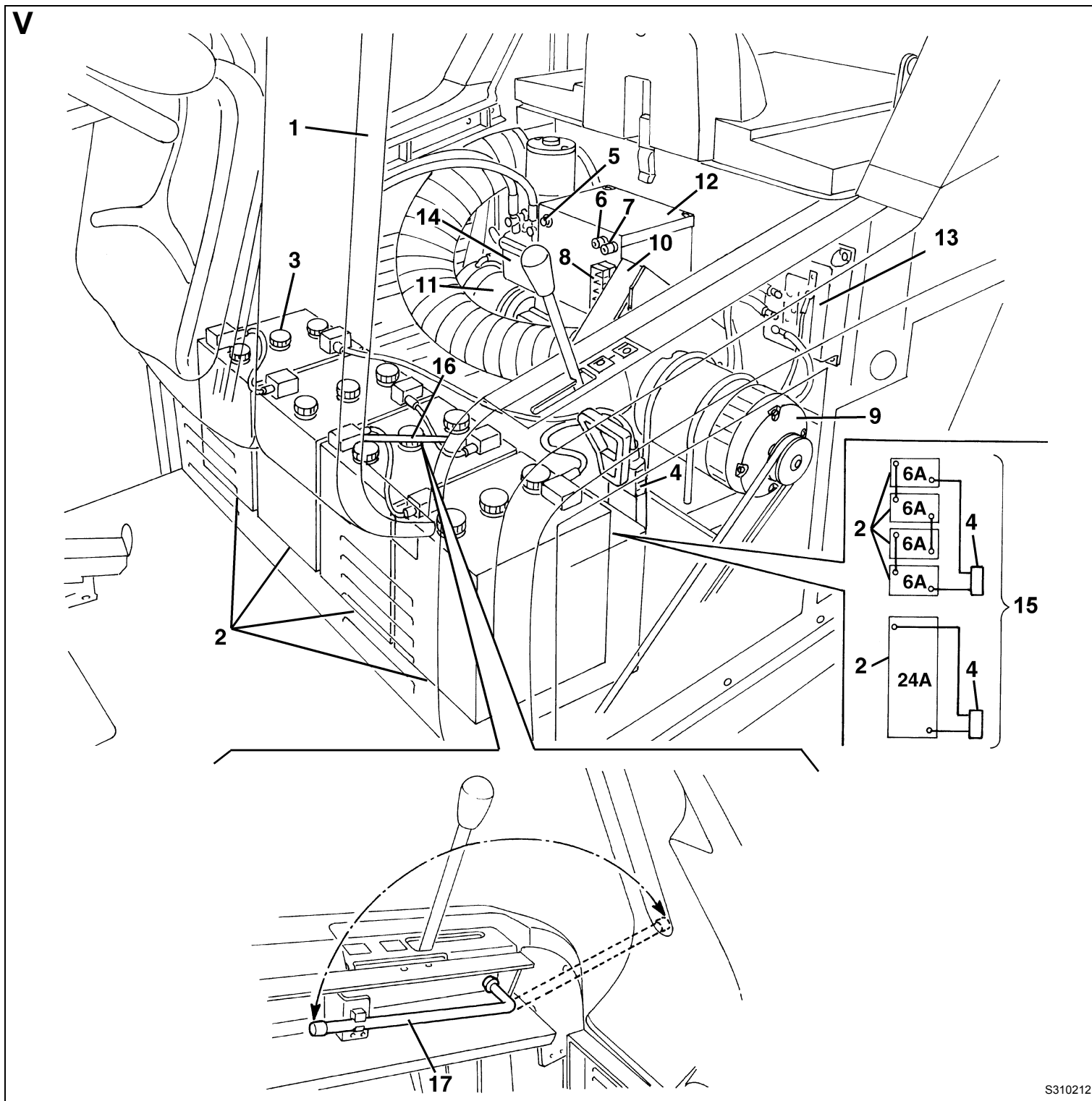
S310039



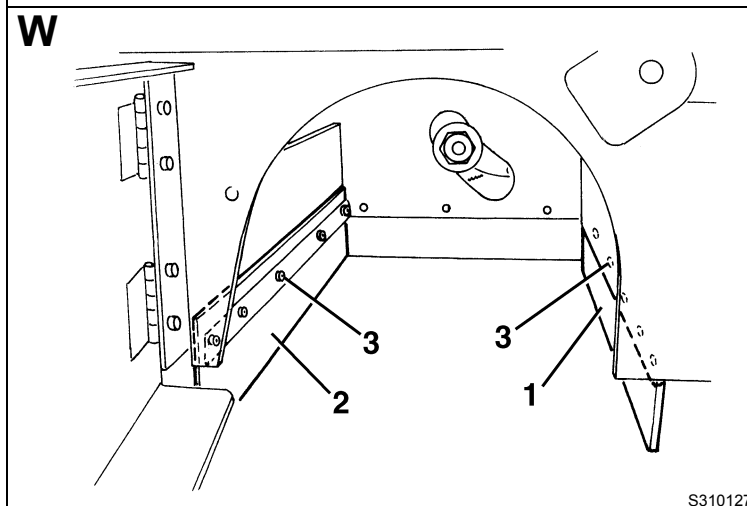
S310125



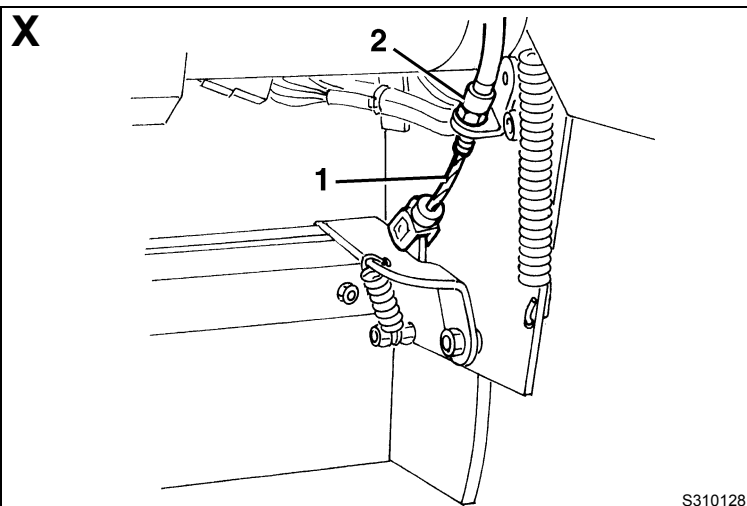
S310126



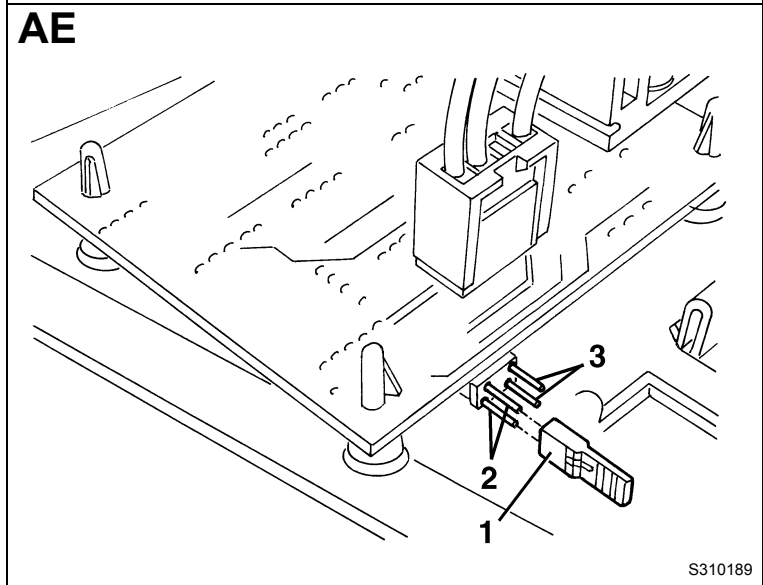
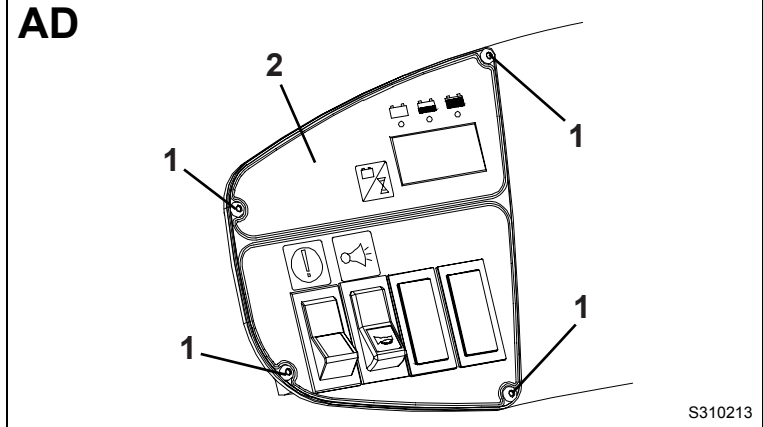
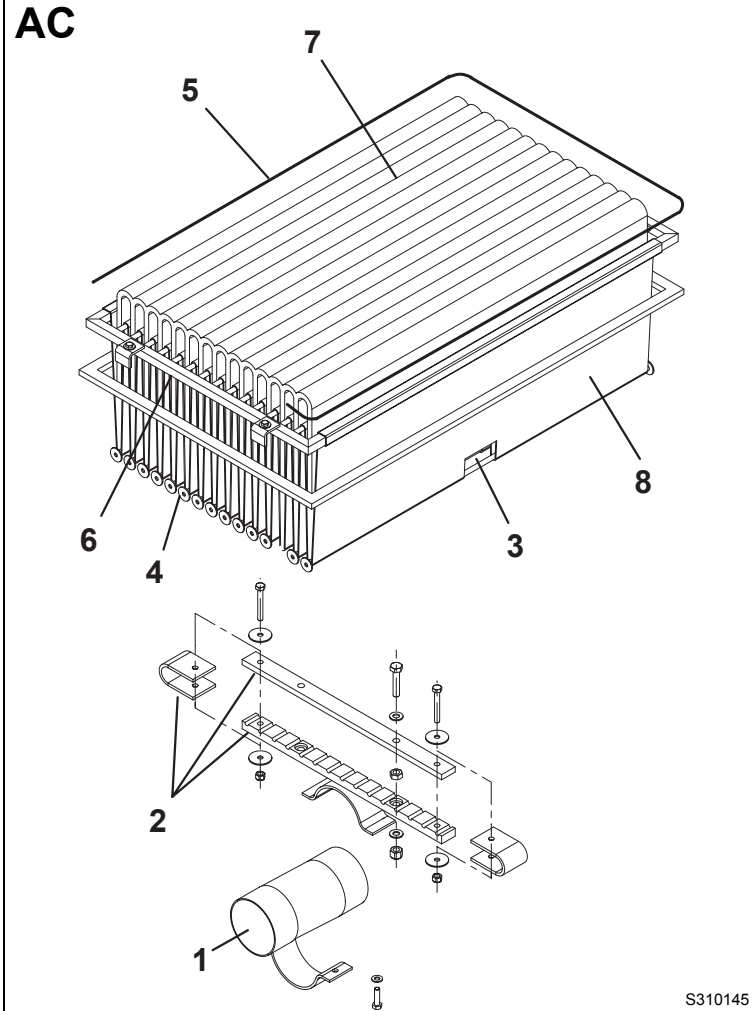
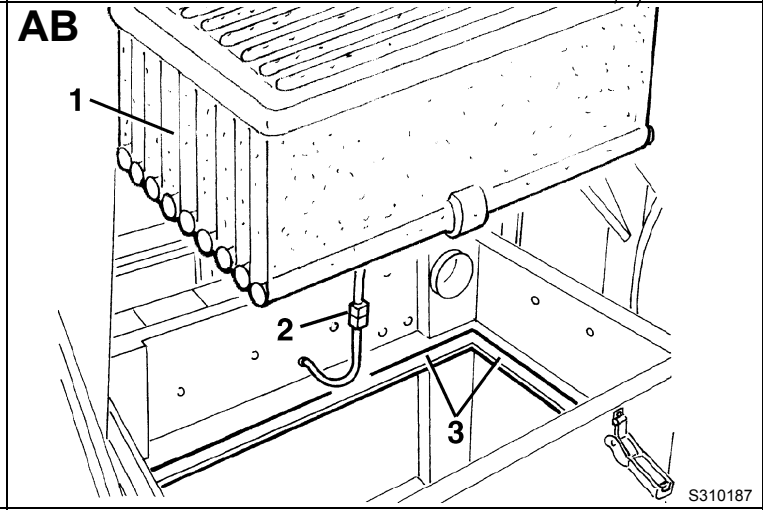
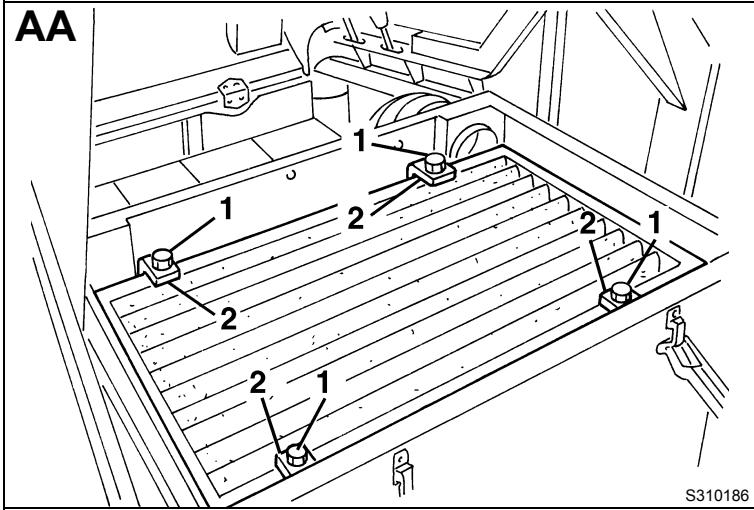
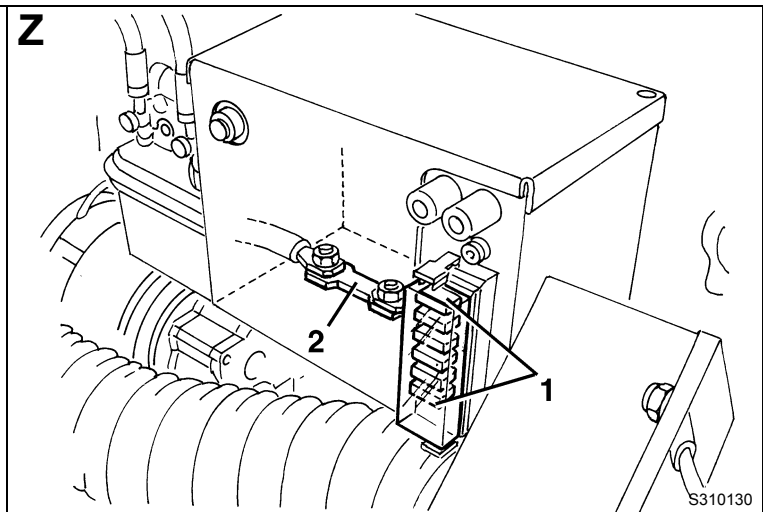
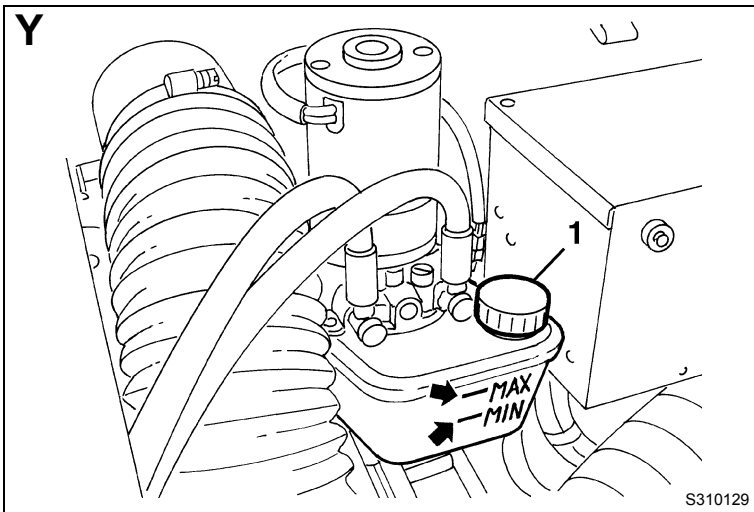
S310212



S310127



S310128



Nilfisk-Advance, Inc.
 14600 21st Avenue North
 Plymouth, MN, 55447-3408
www.nilfisk-advance.com
 Phone: 800-989-2235
 Fax: 800-989-6566
 ©2004 Nilfisk-Advance, Inc.,
 Plymouth, MN 55447-3408
 Printed in Italy