

KFC-P722

SERVICE MANUAL

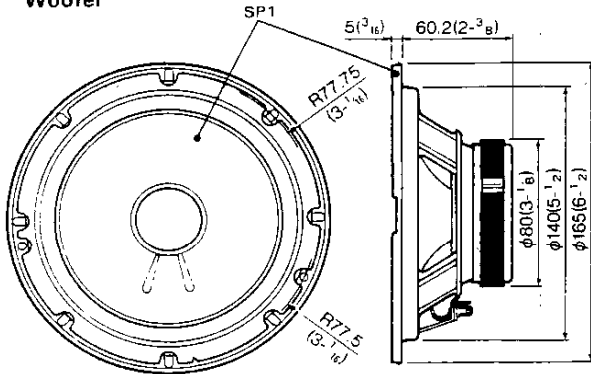
KENWOOD

Q.C.

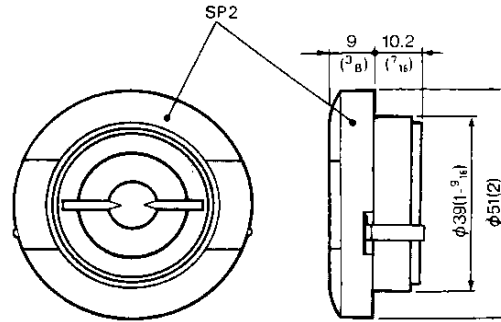
©1992-4 PRINTED IN JAPAN
B51-6468-00 (MC) 1519

EXTERNAL VIEW

Woofer



Tweeter

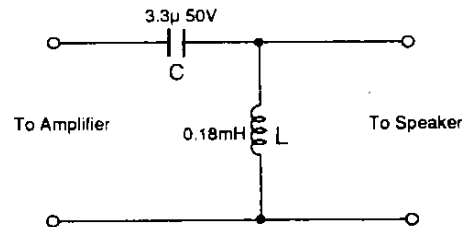


PARTS INCLUDED

- 1 $\phi 4 \times 16(\phi 3/16 \times 5/8)$X12
- 2 $\phi 4 \times 6(\phi 3/16 \times 1/4)$X2
- 3 M3 $\times 12(M 1/8 \times 1/2)$X4
- 4 M4 $\times 6(M 3/16 \times 1/4)$X2
- 5 M3(M 1/8).....X4
- 6 M3(M 1/8).....X4
- 7 M3(M 1/8).....X4
- 8X2
- 9X2
- 10 15cm(0.5ft).....X2
- 11 2m(6.5ft).....X2
- 12 5m(16.4ft).....X2
- 13X2

NETWORK

* This network is for the connection cords in the tweeter.



PARTS LIST

* New parts
Parts without **Parts No.** are not supplied.
Les articles non mentionnés dans le **Parts No.** ne sont pas fournis.
Teile ohne **Parts No.** werden nicht geliefert.

Ref. No.	New Parts	Parts No.	Description
SP1	★	T10-0555-08	SPEAKER (WOOFER)
SP2	★	T03-0402-08	SPEAKER (TWEETER)
①-⑦	★	N99-1224-08	SCREW SET
⑧	★	J21-8093-08	BRACKET (A)
⑨	★	J21-8094-08	BRACKET (D)
⑩-⑫	★	E30-5121-08	CORD SET
⑬	★	J30-0839-08	SPACER