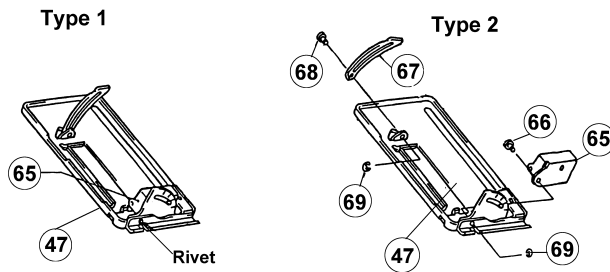




**SERVICE CHANGES**

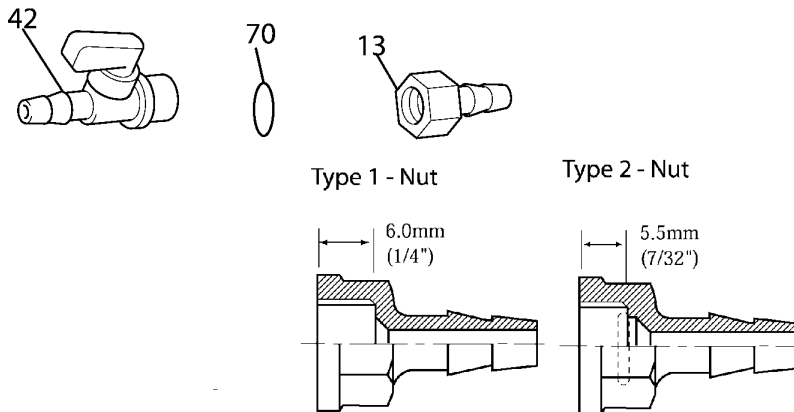
**1. Change on Method of attaching Angular Guide.**



Item No.	Description	Type 1	Type 2
47	Base	168301-3	168318-6
65	Angular Guide	-----	344595-6
66	Pin 5	-----	268028-6
67	Depth Guide	-----	344593-0
68	Pin 4	-----	268004-0
69	Stop Ring E-3	-----	961017-7 (2 pcs)

Above parts are completely interchangeable as a set.

**2. Change on Nut, Addition of O Ring.**



Item No.	Description	Type 1	Type 2
13	Nut	-----	416145-8
		-----	Space provided for O Ring
70	O Ring 7	-----	<b>213026-5</b>

Above parts are completely interchangeable as a set.