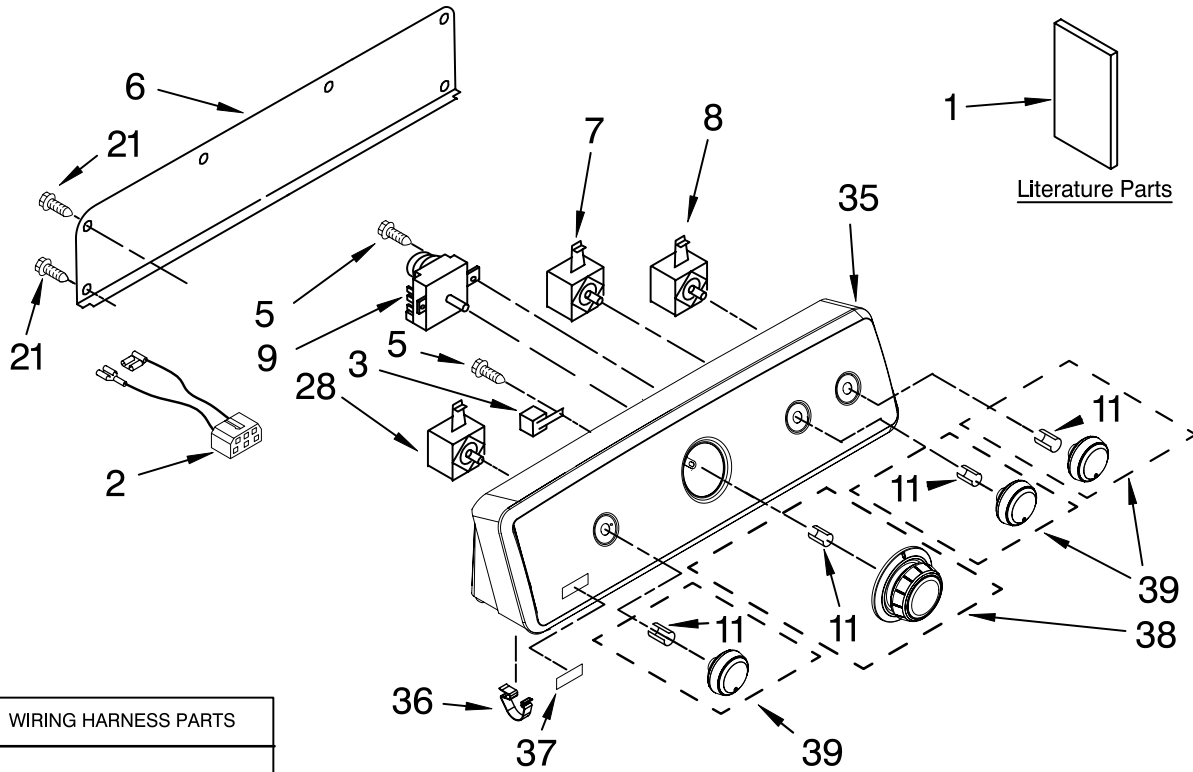


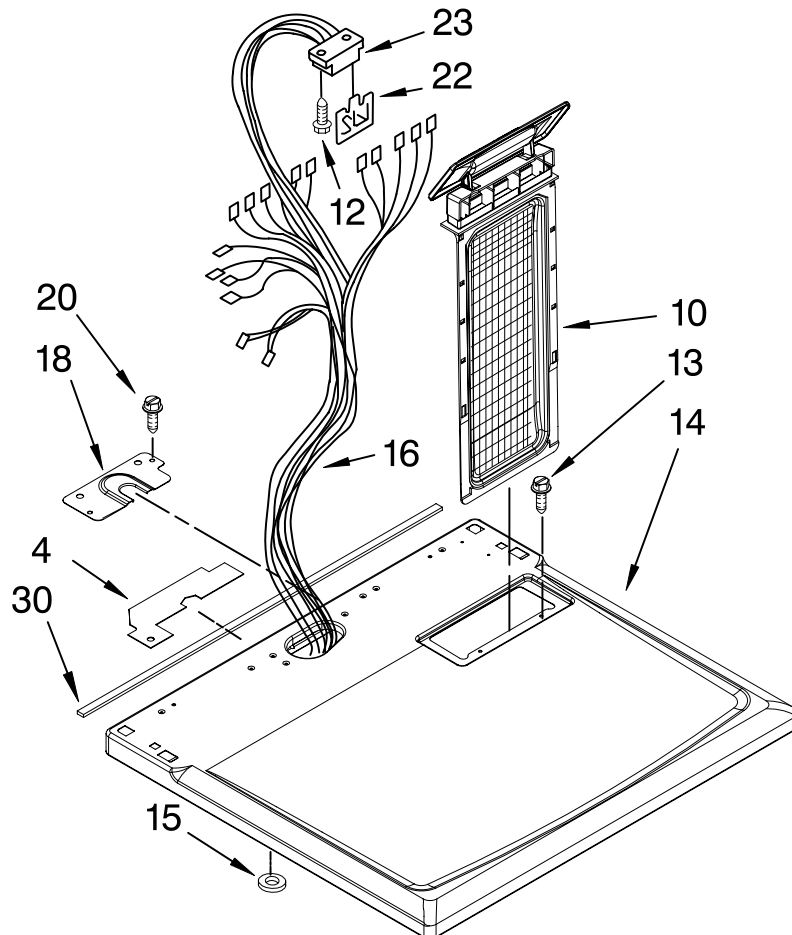
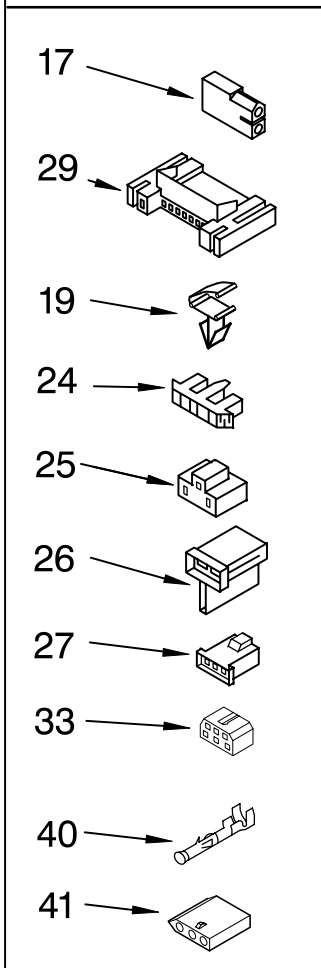
TOP AND CONSOLE PARTS

For Model: MGD5700TQ0
(White)

29" GAS DRYER



WIRING HARNESS PARTS



FOR ORDERING INFORMATION REFER TO PARTS PRICE LIST

TOP AND CONSOLE PARTS

For Model: MGD5700TQ0
(White)

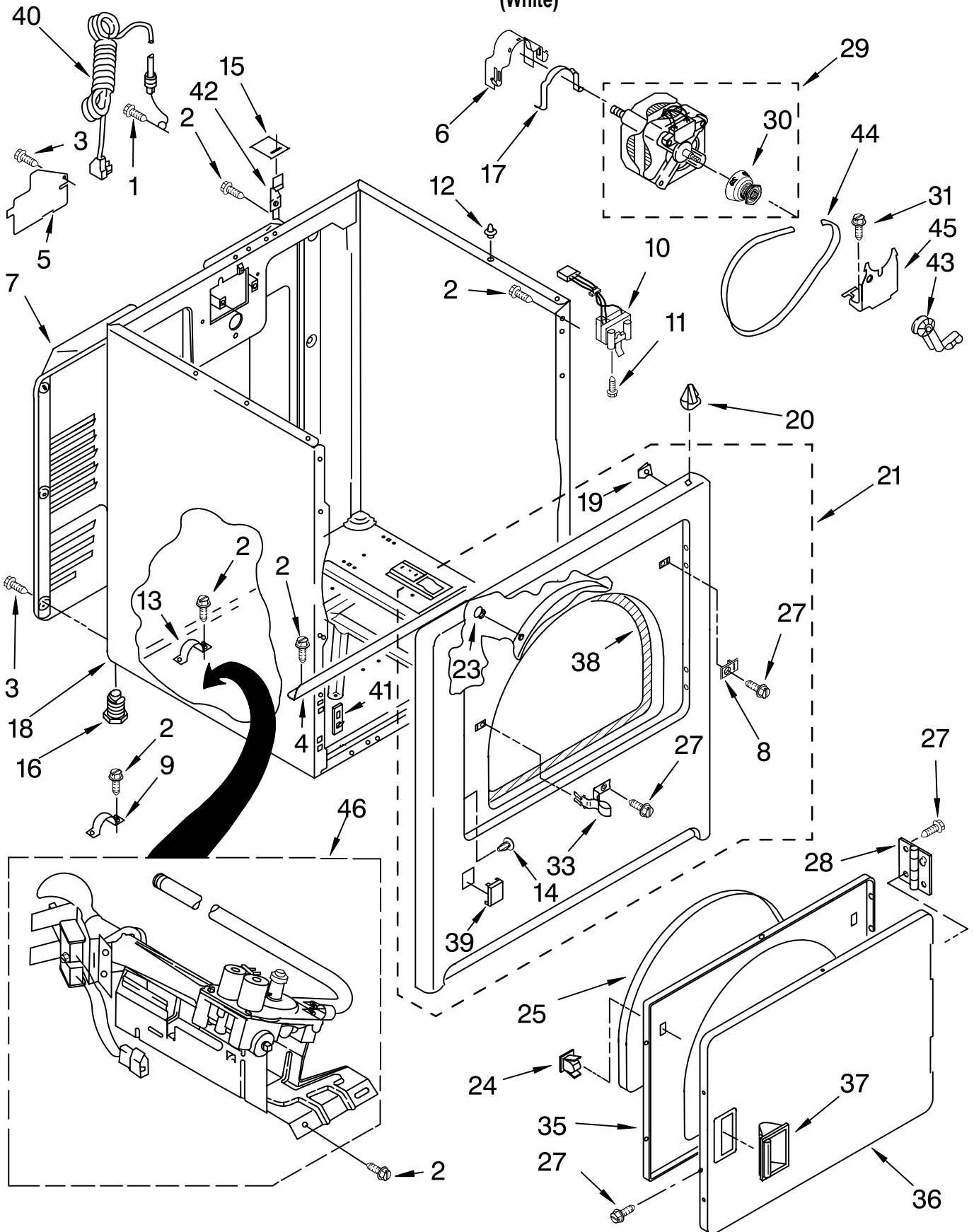
Illus. No.	Part No.	DESCRIPTION	Illus. No.	Part No.	DESCRIPTION	Illus. No.	Part No.	DESCRIPTION
1		Literature Parts	13	688983	Screw, 8-18 x 5/8	27	3403498	Connector,
	W10150648	Sheet,	14	W10112599	Top			3-Position
		Cycle Feature	15	237446	Washer (Top/chute)			(Gas Valve)
	W10151609	Use & Care Guide	16	W10120796	Harness, Wiring	28	3405156	Switch,
	W10118081	Wiring Diagram	17	717252	Plug, 2-way			Wrinkle Guard
2	W10113080	Wire, Jumper (Buzzer On/Off)	18	8565981	Bracket, Harness	29	3395683	Connector, Motor
3	694419	Buzzer, Mini	19	3394427	Clip-Harness	30	W10112267	Foam Seal,
4	W10118608	Seal, Harness	20	337686	Screw, 8-18 x 3/4			Console Bracket
5	8533971	Screw, 8-18 x 5/8	21	693995	Screw, Hex	33	3347243	Connector
6	W10112576	Panel, Rear			Washer Head			6-Circuit
		Console	22	8558178	Control,	35	W10086710	Shell & Console
		Console			Electronic			Assembly
7	8530169	Switch,	23	3391885	Connector, Edge			(Includes
		Temperature	24	3397269	Connector-Timer			Illus. 37)
8	W10117655	Switch,	25	3401144	Connector,	36	8312709	Clip-Console
		Push-To-Start			(PTS Relay)	37	W10112569	Badge Assembly
9	8566184	Timer Assembly	26	3403499	Connector,	38	W10110030	Timer Knob
		60 HZ.			2-Position			Assembly
10	8565972	Screen, Lint			(Gas Valve)	39	W10110029	Knob, Control (3)
11	8536939	Clip, Spring				40	94614	Terminal, Female
12	359625	Screw, 8-18 x 1/2				41	3936144	Connector

FOR ORDERING INFORMATION REFER TO PARTS PRICE LIST

CABINET PARTS

For Model: MGD5700TQ0

(White)



FOR ORDERING INFORMATION REFER TO PARTS PRICE LIST

CABINET PARTS

For Model: MGD5700TQ0
(White)

Illus. No.	Part No.	DESCRIPTION	Illus. No.	Part No.	DESCRIPTION	Illus. No.	Part No.	DESCRIPTION
1	697776	Screw, 10–32 x 5/8 (External Ground)	17	660658	Clamp, Motor	33	3403431	Strike, Panel
2	343641	Screw, 10–16 x 1/2	18	8530603	Cabinet (Includes Illus. 4)	35	3402341	Door, Rear
3	693995	Screw, Hex Head	19	98234	Clip, Ground (2)	36	3402335	Door, Front
4	8541400	Bracket, Cabinet	20	18776	Lock, Front Top (2)	37	8565970	Handle, Door
5	3396795	Cover, Block	21	3403447	Panel Front	38	3406129	Seal & Bearing Assembly
6	3404162	Clamp, Motor (W/Shield)	23	685203	Clip, Felt Pad (2)	39	3394975	Plug, Front Panel
7	3396805	Panel, Rear	24	3389441	Catch, Door Assembly	40	344020	Cord, Power
8	3403630	Plug–Strike	25	3405246	Seal, Door	41	3394083	Clip, Front Panel
9	3980175	Clamp–Elbow	27	342055	Screw, 8–18 x 1/2	42	8066217	Hinge, Top (2)
10	3406107	Door Switch Assembly	28	3405514	Hinge, Door	43	691366	Idler & Pulley Assembly
11	697773	Screw, 6–20 x 7/8	29	8066206	Motor Assembly 60 HZ.	44	W10131364	Belt, Drive
12	98669	Locator, Top	30	8066184	Pulley 60 Hz.	45	348780	Base, Motor
13	341029	Clamp–Pipe	31	3400500	Bolt, 5/16–18 x 3/4	46	8318272	Burner Assembly, 60 Hz. (See Pages 7 & 8 For Further Burner Breakdown)
14	3404413	Plug–Hole						
15	18849	Pad, Top Hinge						
16	3392100	Foot, Dryer						
	279810	Foot–Optional (Extended Length) (Package of 2) (Not Included.)						

FOR ORDERING INFORMATION REFER TO PARTS PRICE LIST

BULKHEAD PARTS

For Model: MGD5700TQ0
(White)

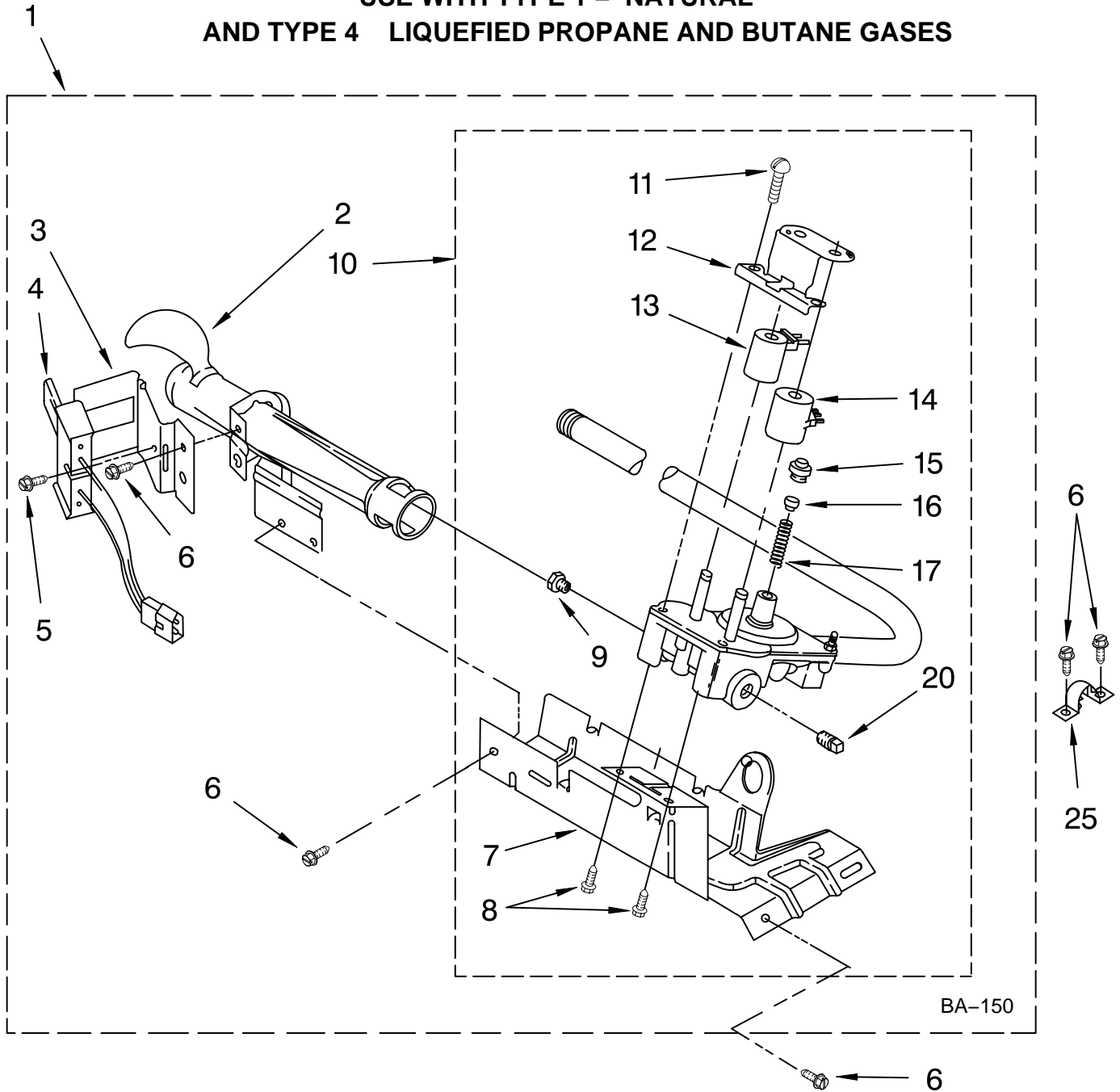
Illus. No.	Part No.	DESCRIPTION
1	348368	Lint Chute Assembly
2	489463	Screw, 8-18 x 5/8
3	3388703	Washer-Support
4	347139	Seal, Lint Chute
5	90767	Screw, 8-18 x 3/8
6	487909	Screw, 8-15 x 1/2
7	3392519	Thermal Fuse
8	8066086	Drum Hole Plug
9	8318268	Thermostat, Internal-Bias
10	694089	Wheel, Blower
11	8577230	Housing, Blower
12	3398161	Clip
13	343641	Screw, 10-16 x 1/2
14	8530285	Box, Heater
15	3403140	Thermostat, 205°F (96°C)
18	8066049	Funnel, Burner
19	W10136369	Socket Assembly
20	3406124	Bulb
22	3977373	Bracket, Drum Light
23	3406022	Bracket, Bulkhead
24	3390647	Screw, 8-18 x 1/2
25	280010	Kit, Thermal Cut-Off (Includes Illus. 15)
26	3401707	Wire, Jumper
27	3976479	Pad, Sensor
28	690997	Ring, Tri
29	3399506	Shaft, L.H.
30	3399507	Shaft, R.H.
31	3397590	Roller, Support
32	348197	Washer, Support
33	3359452	Nut, 3/8-16
34	3403414	Bulkhead
35	338906	Sensor, Radiant
36	3402841	Lens, Drum Light
37	692526	Ring, Bearing
38	W10109200	Screw, 11-16 x 3/4
39	3406130	Seal, Rear Drum
40	695587	Drum Assembly
41	692490	Baffle, Drum (2)
42	3976434	Bracket, Support
43	90296	Clip
44	3403636	Baffle, Drum (1)
45	339956	Seal
46	696302	Shield, Exhaust

FOR ORDERING INFORMATION REFER TO PARTS PRICE LIST

8318272 BURNER ASSEMBLY

For Model: MGD5700TQ0
(White)

USE WITH TYPE 1 – NATURAL
AND TYPE 4 LIQUEFIED PROPANE AND BUTANE GASES



FOR ORDERING INFORMATION REFER TO PARTS PRICE LIST

8318272 BURNER ASSEMBLY

For Model: MGD5700TQ0
(White)

USE WITH TYPE 1 – NATURAL
AND TYPE 4 LIQUEFIED PROPANE AND BUTANE GASES

Illus. No.	Part No.	DESCRIPTION
1	8318272	Burner Assembly 60 Hz. (Type 1) (White Rodgers)
2	688617	Tube, Burner
3	694298	Bracket, Ignitor
4	686590	Ignitor
5	3393909	Screw & Washer (8–32 x 5/8)
6	343641	Screw, 10–16 x 1/2
7	693986	Base, Burner
8	3387057	Screw, 8–18 x 3/8
9		Orifice, Burner Type 1 234826 Type 4 (Butane) 229742 Type 4 (Propane) 234868
10	8318277	Valve, 60 Hz. (Includes Pipe & Illus. #7)
11	694421	Screw, 8–32 x 1/2 (2)
12	694538	Bracket, Coil
13	694540	Coil, 60 Hz. (2 Terminal) (Main)
14	694539	Coil, 60 Hz. (Split) (3 Terminal) (Pilot Position)
15	694424	Leak Limiter
16	694423	Screw, Regulator Adjustment
17	694422	Spring, Regulator
20	239822	Plug, Pipe
25	341029	Clamp, Pipe

Following Parts Not Illustrated

694572 Conversion Kit
(Type 1)
to Type (4) L.P.G.

BA-150

FOR ORDERING INFORMATION REFER TO PARTS PRICE LIST

OPTIONAL PARTS (NOT INCLUDED)

For Model: MGD5700TQ0
(White)

Illus.	Part	
No.	No.	DESCRIPTION

ACCESSORY PARTS

279948	Kit, Dryer Repair
346764	Kit, Hold-Down (Gas Dryer Mobile Home Installation)
3406839	Dry Rack
8522199	Kit, Dryer Vent Testing

PAINT, TOUCH-UP (1/2oz.)

72017	White
-------	-------

PAINT, PRESSURIZED SPRAY (12 oz.)

350930	White
350938	Primer, Gray

PAINT, BULK (1 qt.)

799344	White (Uncut)
--------	---------------

FOR ORDERING INFORMATION REFER TO PARTS PRICE LIST