

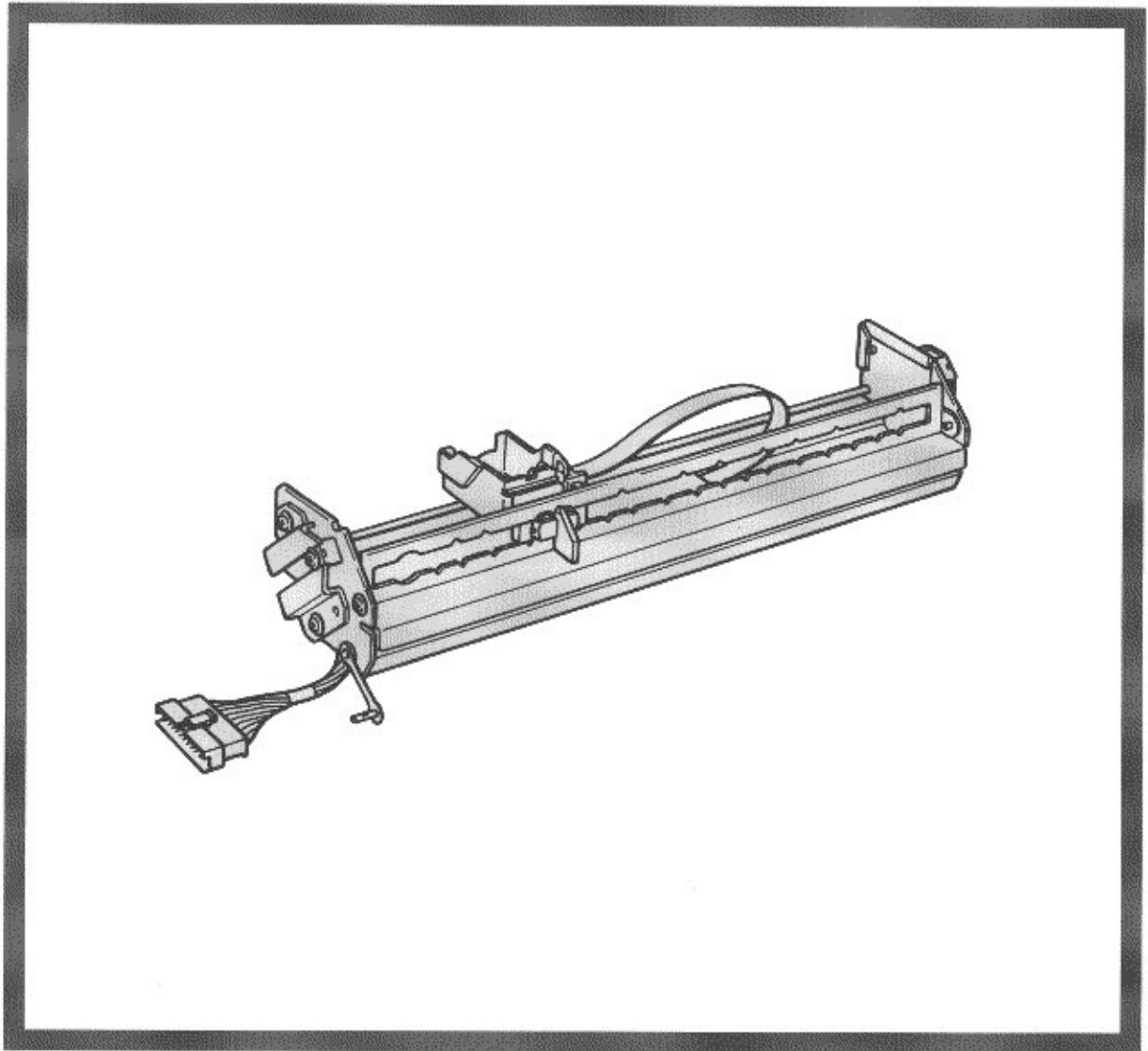
# Panasonic

## Imprinter Unit

# Operating Instructions

---

Model No. KV-SS010



Please read all sections of these instructions completely before using this product.  
Keep all documentation regarding this product in safe place for future reference.

Thank you for purchasing a Panasonic "Imprinter Unit".

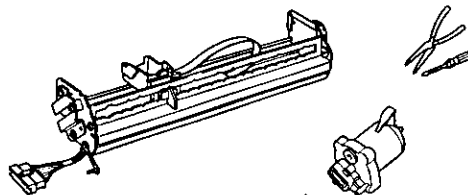
## Table of Contents

	Page
Component Identification .....	3
Application Setting .....	4
Installing the Imprinter Unit .....	5
● The KV-S2055 series pre-imprinter installation .....	5
● The KV-S2055 series post-imprinter installation .....	6
● The KV-S6040W/KV-S6045W series imprinter installation .....	8
Installing the Ink Cartridge .....	10
● For the KV-S2055 series pre-imprinter. ....	10
● For the KV-S2055 series post-imprinter. ....	11
● For the KV-S6040W/KV-S6045W series imprinter. ....	12
● Ink cartridge cautions .....	12
Printing .....	13
● Adjusting the printing position .....	13
● Printing position .....	13
● Printing area .....	14
● Printable characters chart .....	14
Troubleshooting and Specifications .....	15
● Troubleshooting .....	15
● Specifications .....	Back cover



Do not disassemble the imprinter unit and ink cartridge.

- The ink may come in contact with your eyes.  
If the ink comes in contact with your eyes, rinse the area completely with fresh water.  
If irritation or pain remains after rinsing, consult with an ophthalmologist immediately.



Keep the ink cartridge out of children's reach.

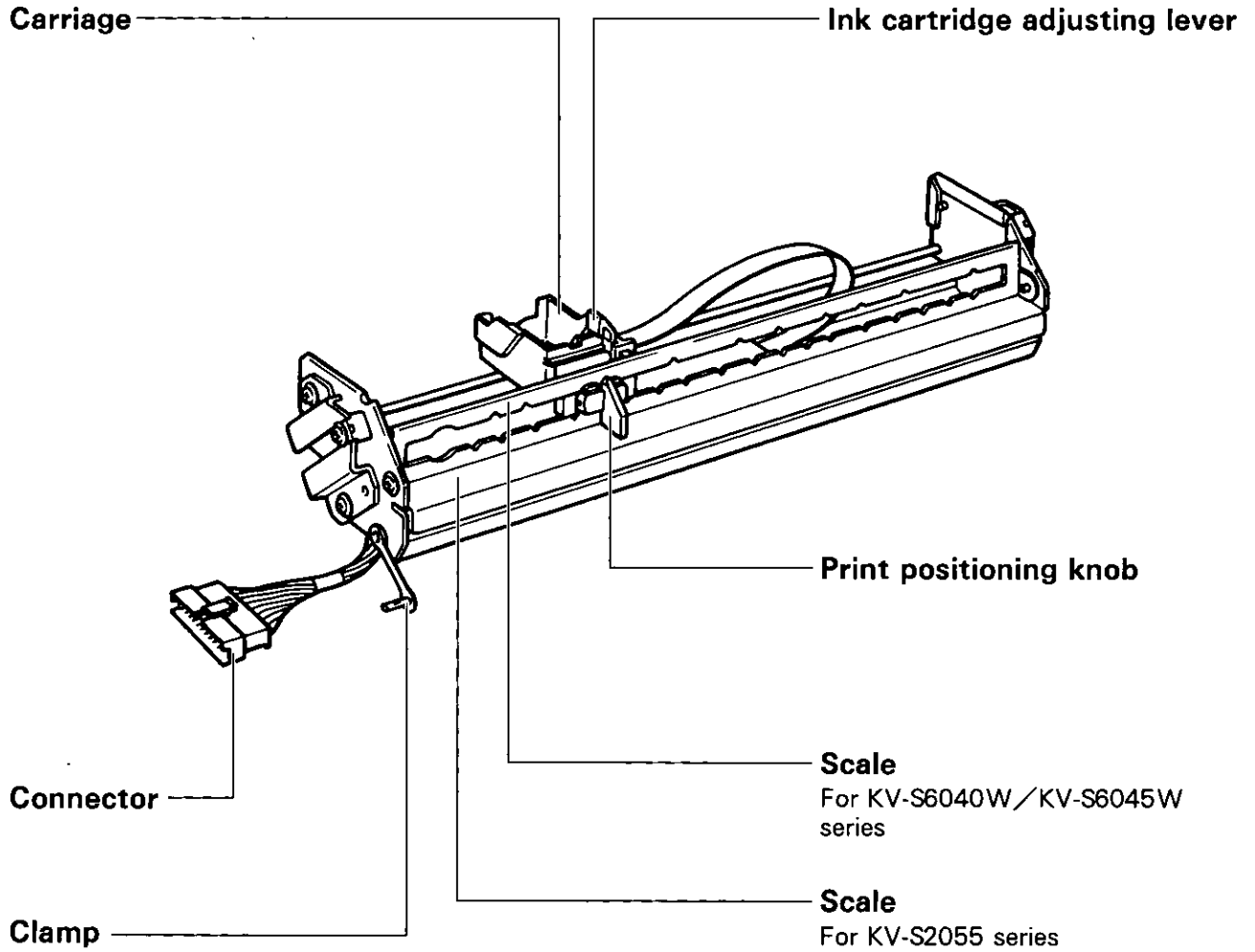
- If a child accidentally licks the ink, make him/her bring it up immediately and consult your doctor.



WHEN THE INK CARTRIDGE IS AT THE END OF IT'S USEFUL LIFE, DO NOT DISPOSE IT IN FIRE.

# Component Identification

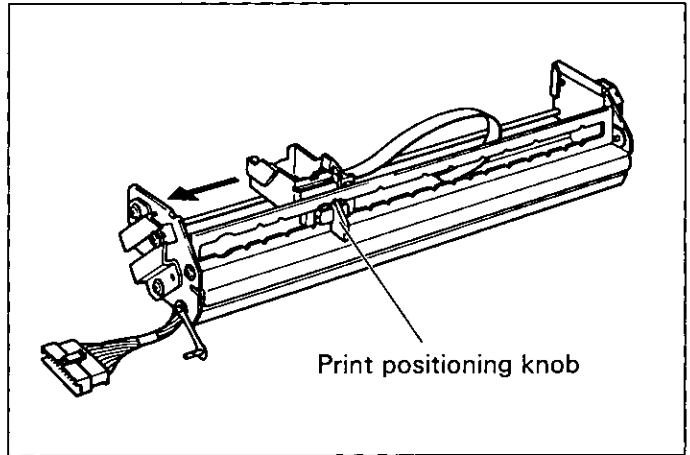
---



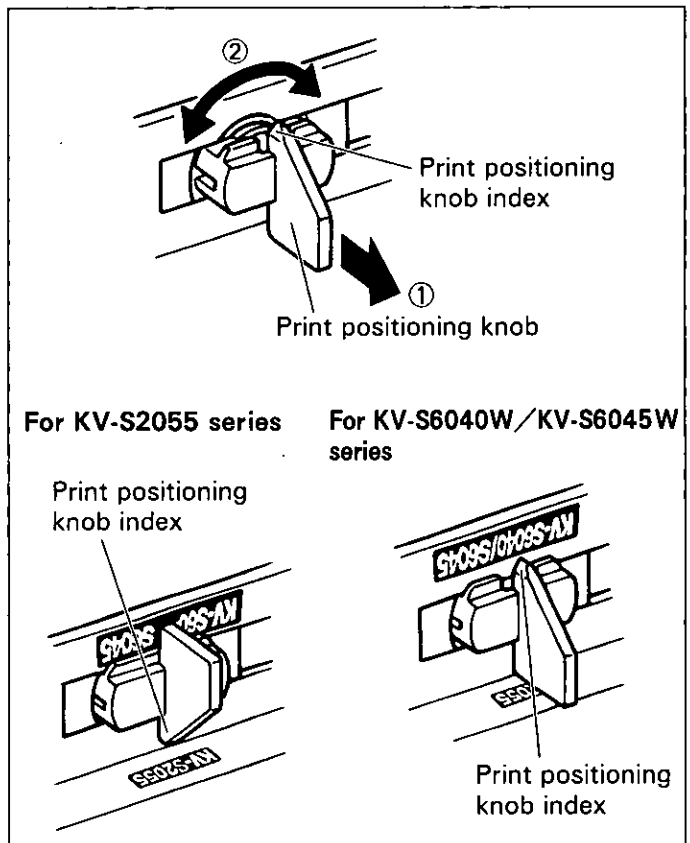
# Application Setting

This unit can be used with the KV-S2055 series and KV-S6040W/KV-S6045W series scanners by changing the print positioning knob index.

- 1 Move the print positioning knob to the left side of the imprinter unit.



- 2 Pull up the print positioning knob (①), rotate it 180 degrees (②), and match the index with the scanner to be used.

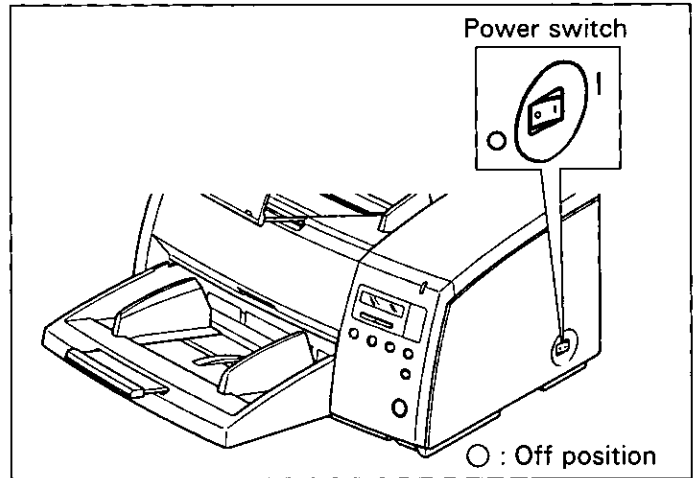


# Installing the Imprinter Unit

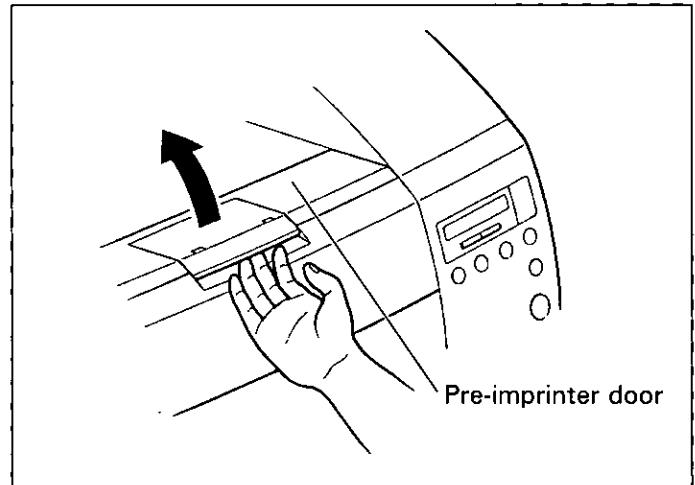
The KV-S2055 series pre-imprinter will print in the same direction as the scanning document.  
The KV-S2055 series post-imprinter will print in the opposite direction of the scanned document.  
The KV-S6040W/KV-S6045W series imprinter will print in the same direction as the scanning document.

## ■ The KV-S2055 series pre-imprinter installation

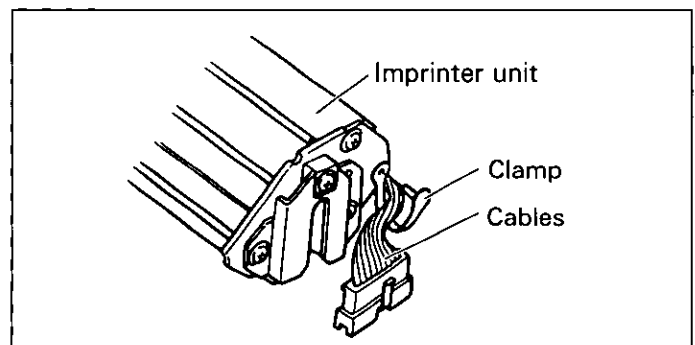
- 1 Turn off the scanner's (KV-S2055 series) power and unplug the power cord.



- 2 Open the pre-imprinter door of the scanner.



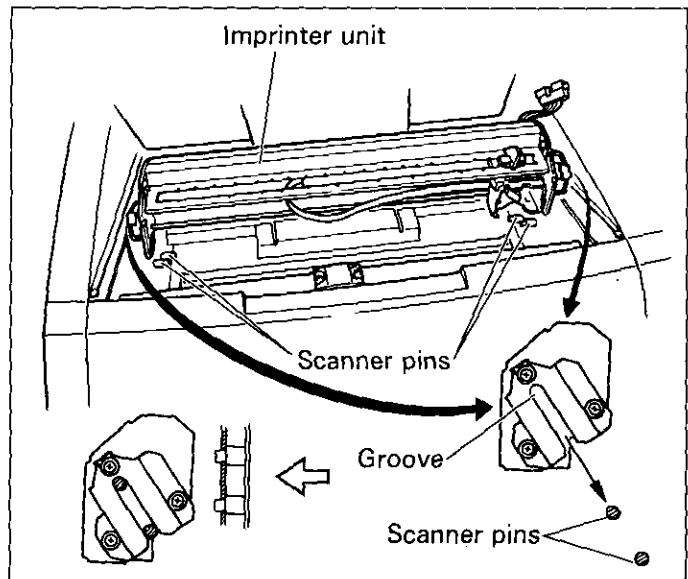
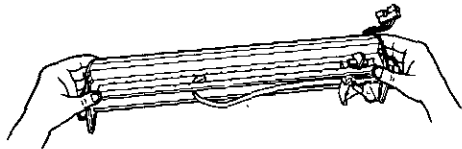
- 3 Secure the clamp around the cables as shown in the diagram to the right.



## Installing the Imprinter Unit

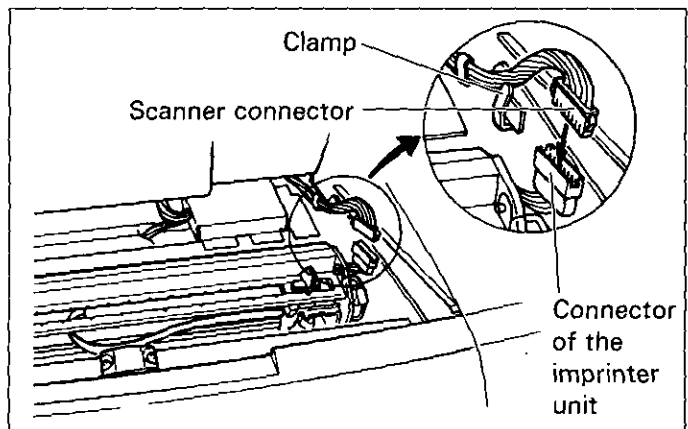
**4** Match and insert the scanner pins with the imprinter unit grooves.

- Be sure to completely insert the scanner pins in the imprinter unit grooves as shown in the diagram to the right. If it is not, printing can not be done correctly.
- When installing the imprinter unit, hold it as shown below.

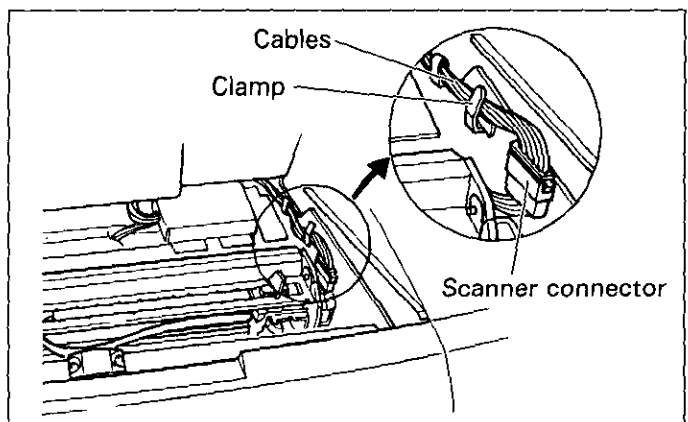


**5** Disengage the scanner connector from the clamp and insert it into the connector of the imprinter unit as shown in the diagram to the right.

- Be sure to completely insert the connector.



**6** Insert the scanner connector's cables into the clamp, and deal with the scanner connector by pressing it against the side of the scanner as shown in the diagram to the right.



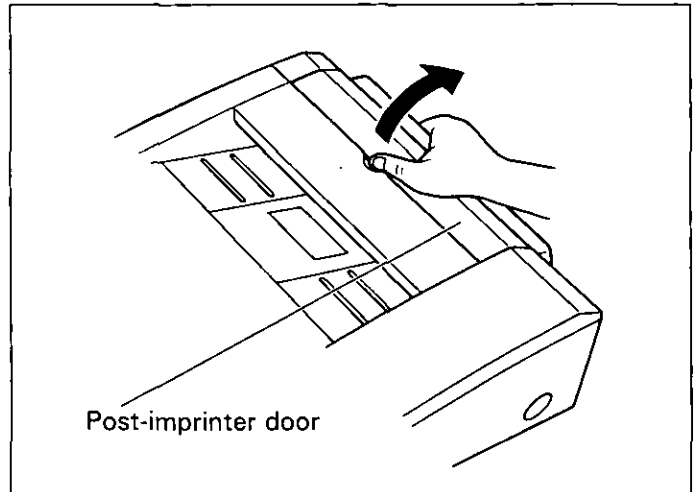
**7** Close the pre-imprinter door.

## ■ The KV-S2055 series post-imprinter installation

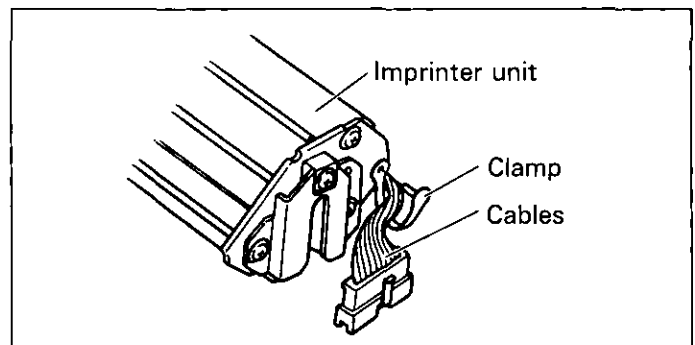
**1** Turn off the scanner's (KV-S2055 series) power and unplug the power cord.

- Refer to step 1, "The KV-S2055 series pre-imprinter installation", on page 5.

- 2** Open the post-imprinter door of the scanner.

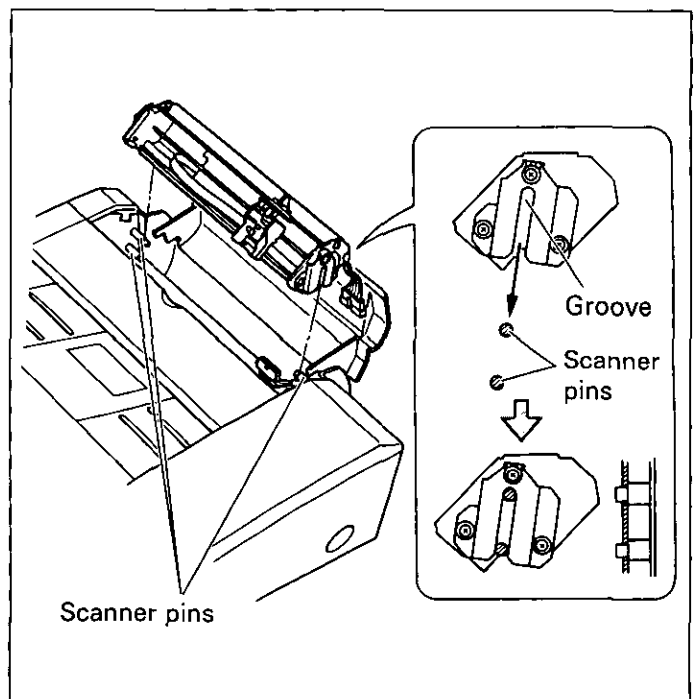
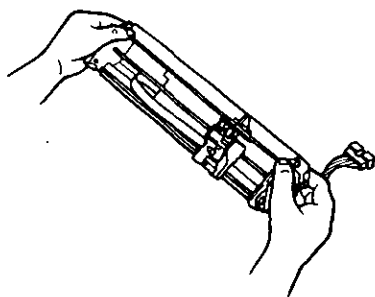


- 3** Secure the clamp around the cables as shown in the diagram to the right.



- 4** Match and insert the scanner pins with the imprinter unit grooves.

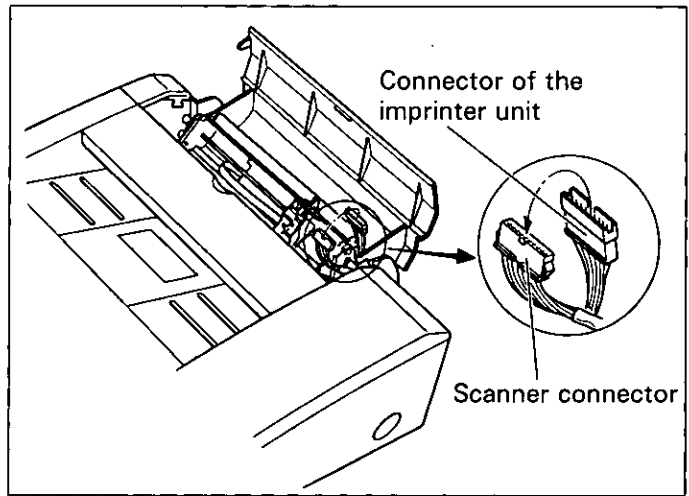
- Be sure to completely insert the scanner pins in the imprinter unit grooves as shown in the diagram to the right. If it is not, printing can not be done correctly.
- When installing the imprinter unit, hold it as shown below.



## Installing the Imprinter Unit

**5** Insert the connector of the imprinter unit into the scanner connector.

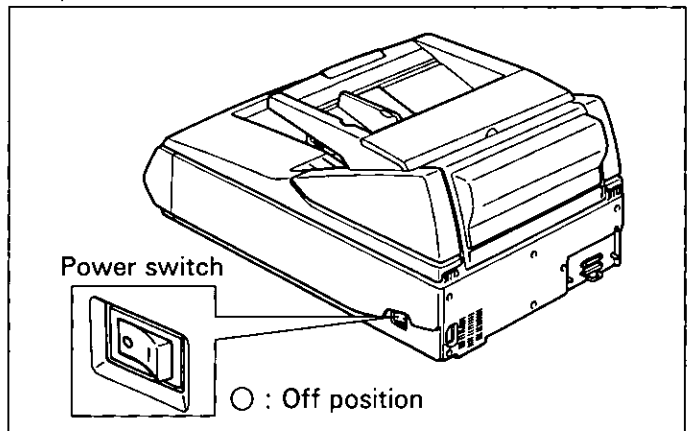
- Be sure to completely insert the connector.



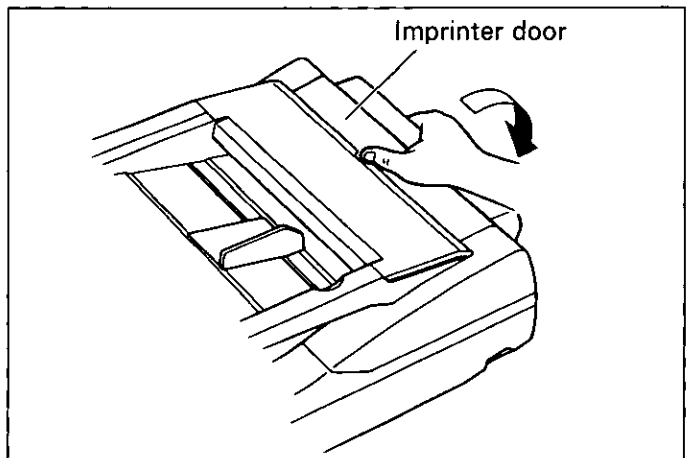
**6** Close the post-imprinter door.

### ■ The KV-S6040W / KV-S6045W series imprinter installation

**1** Turn off the scanner's (KV-S6040W / KV-S6045W series) power and unplug the power cord.



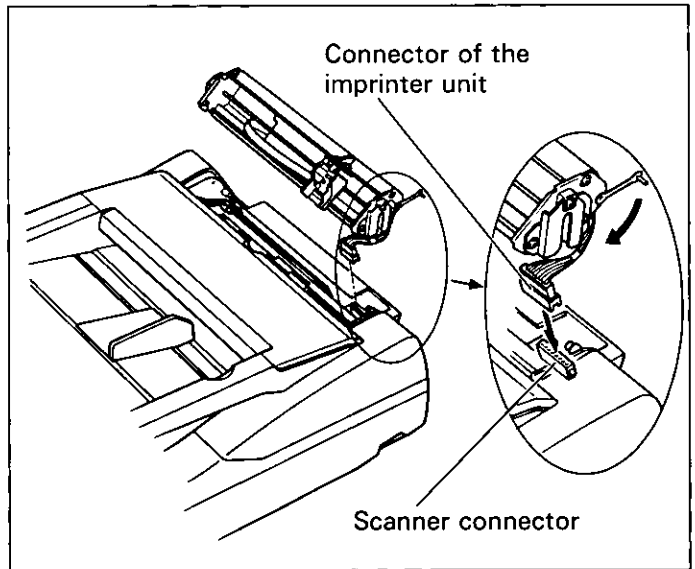
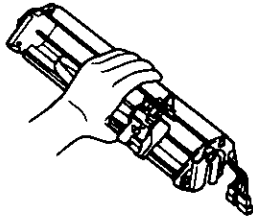
**2** Open the imprinter door of the scanner.





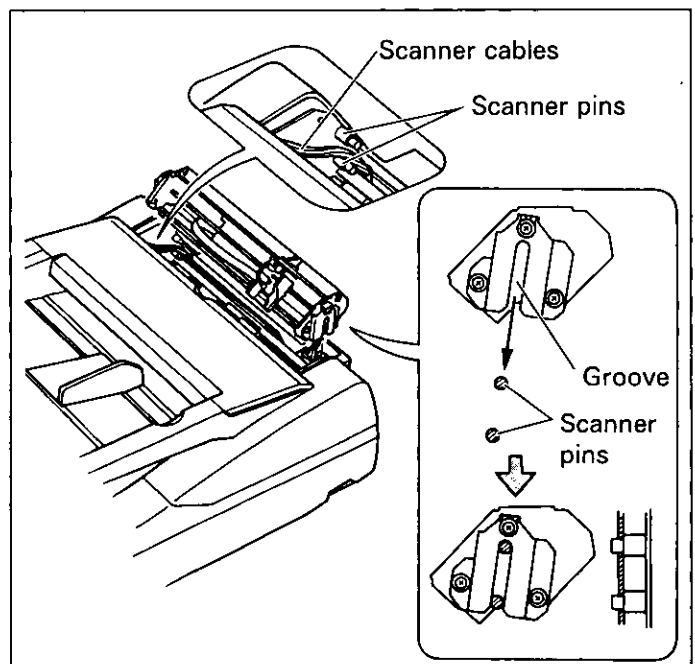
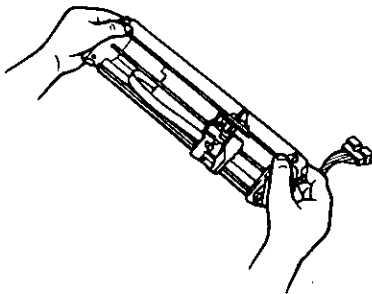
**3** Insert the connector of the imprinter unit into the scanner connector.

- Be sure to completely insert the connector.
- Rotate the clamp in the direction of arrow so that the clamp does not push the imprinter door.
- When attaching the connector, hold the imprinter unit as shown below.



**4** Match and insert the scanner pins with the imprinter unit grooves.

- Be sure to completely insert the scanner pins in the imprinter unit grooves as shown in the diagram to the right.
- If it is not, printing can not be done correctly.
- When installing the imprinter unit, hold it as shown below.



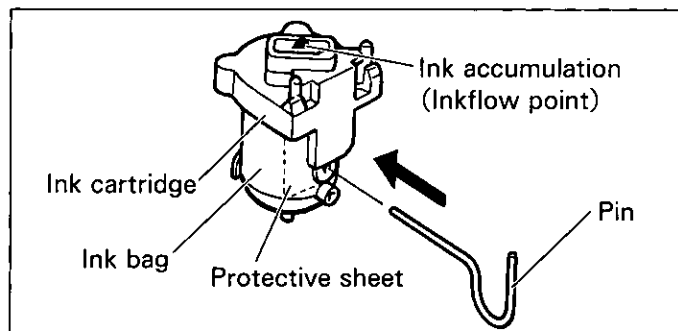
**5** Close the imprinter door.

# Installing the Ink Cartridge

## ■ For the KV-S2055 series pre-imprinter.

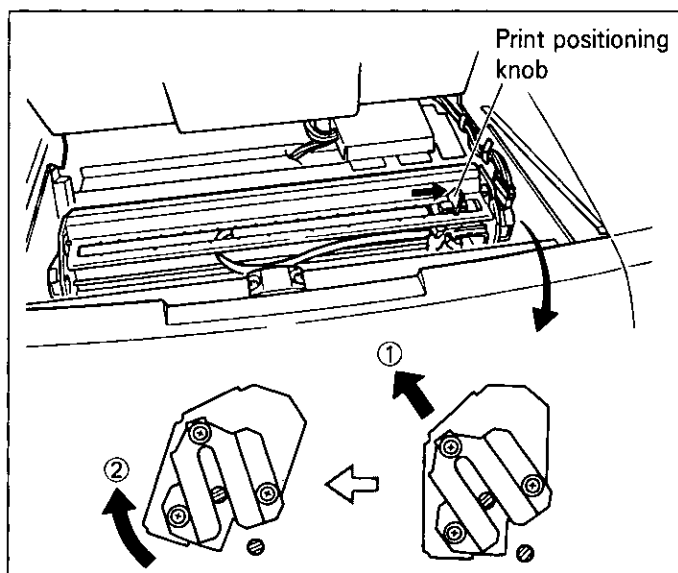
**1** Press the protective sheet of the ink bag using the included pin until the ink accumulates as shown in the diagram to the right.

- Be sure that the pin presses the protective sheet on the ink bag, not the ink bag itself. Otherwise, the pin may puncture the ink bag.



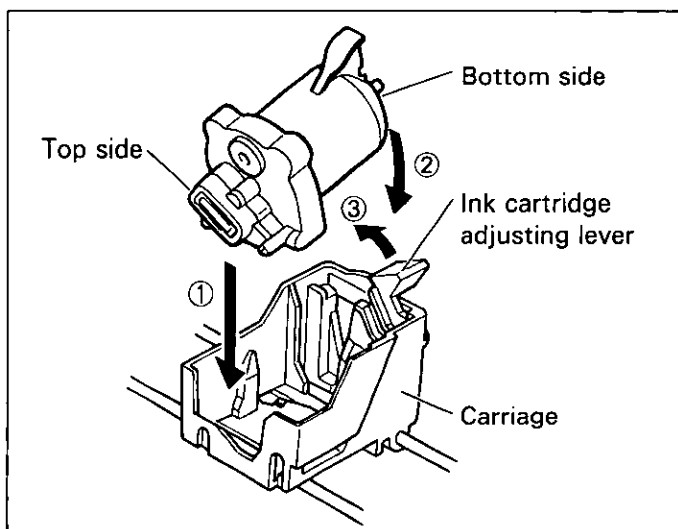
**2** Remove any excess ink with tissue paper.

**3** Move the print positioning knob to the right side, lift up the imprinter unit (①) and tilt it at an angle (②).

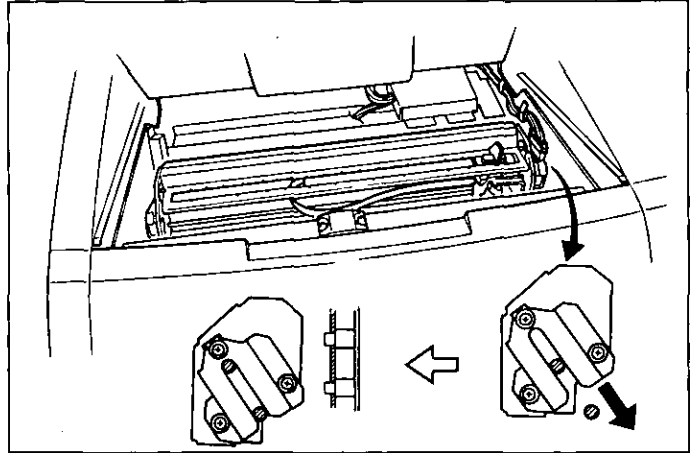


**4** Insert the ink cartridge's top side into the carriage. (①) Press the bottom side of the ink cartridge into the carriage (②) and then lock the ink cartridge adjusting lever. (③)

- Follow the sequence of ① through ③ in the diagram to the right.



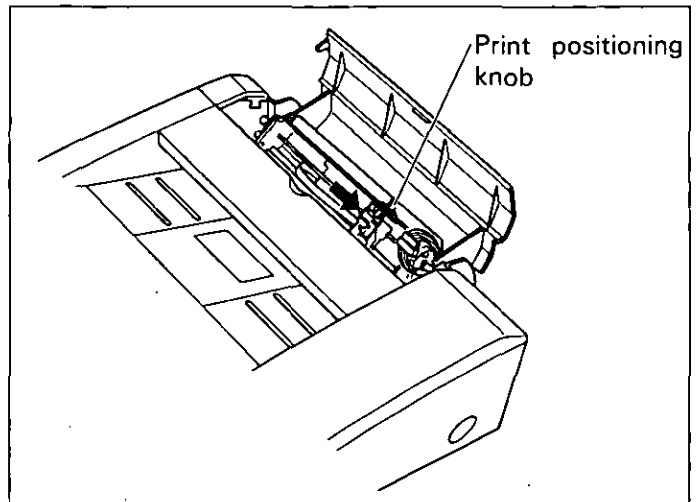
- 5** Insert the imprinter unit to return it to the original position.
- Be sure to completely insert the scanner pins in the imprinter unit grooves.



### ■ For the KV-S2055 series post-imprinter.

- 1** Perform operation steps 1 and 2, "For the KV-S2055 series pre-imprinter", on page 10.

- 2** Move the print positioning knob to the right side.



- 3** Perform operation step 4, "For the KV-S2055 series pre-imprinter", on page 10.

## Installing the Ink Cartridge

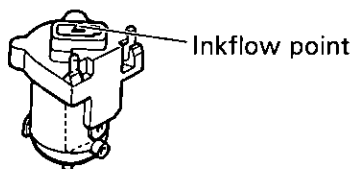
---

### ■ For the KV-S6040W / KV-S6045W series imprinter.

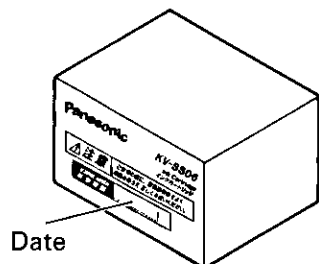
Perform operation steps 1,2 and 4, "For the KV-S2055 series pre-imprinter", on page 10.

### ■ Ink cartridge cautions

- If the inkflow point is touched with your hands or a dirty object, the ink may not flow properly. Do not touch the inkflow point.



- Do not subject the ink cartridge to shock as it consists of many small components.
- Place the ink cartridge gently in a horizontal direction.
- If the date marked on the box has expired, the print quality may be affected.

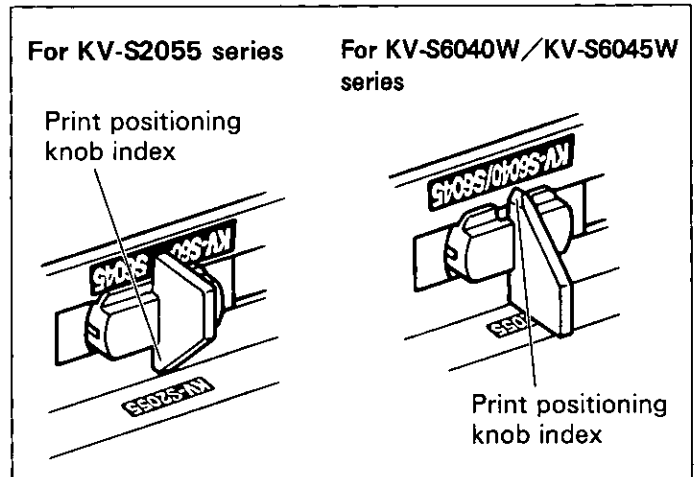


- If the ink cartridge is not used within 6 months after unpacking the unit, the print quality may be affected.
- Be sure that the storage temperature is between 0°C and 40°C (32°F and 104°F).
- Store the ink cartridge away from direct sunlight.
- Do not clean the ink cartridge with alcohol.

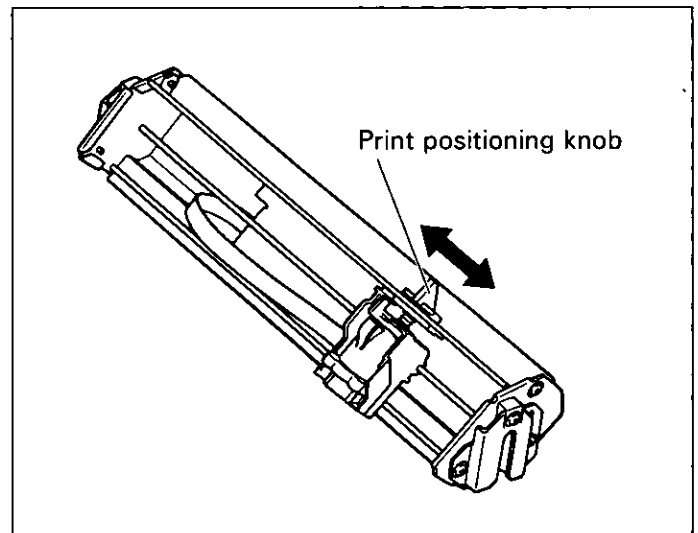
# Printing

## ■ Adjusting the printing position

- 1 Confirm if the print positioning knob index matches the desired scanner.
  - Refer to step 2, "Application Setting", on page 4.

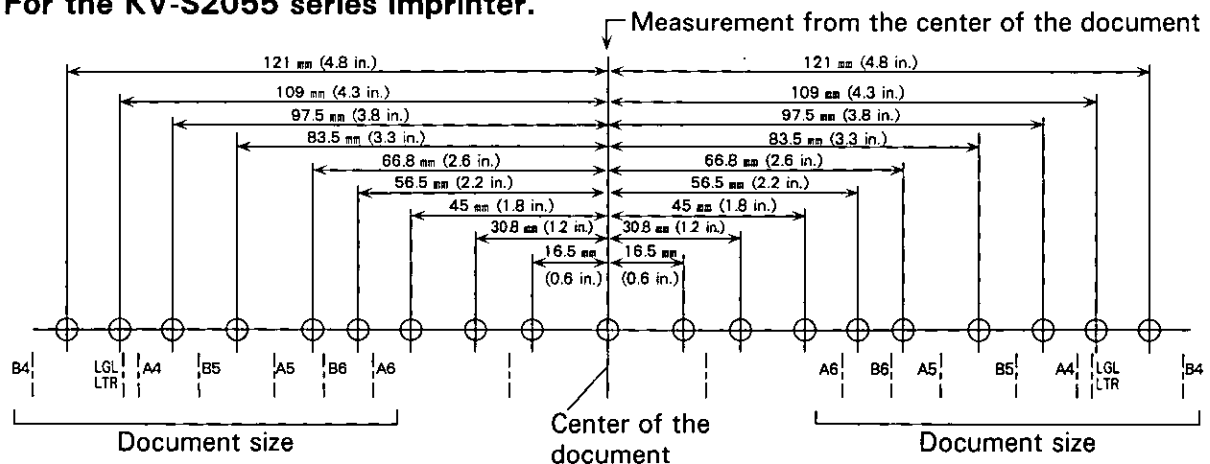


- 2 Move the knob to the desired position on the scale.
  - Move the knob until it locks into position. Printing cannot be done if it is in any other position.
  - Adjust the knob so that the top side of the ink cartridge comes on the document.



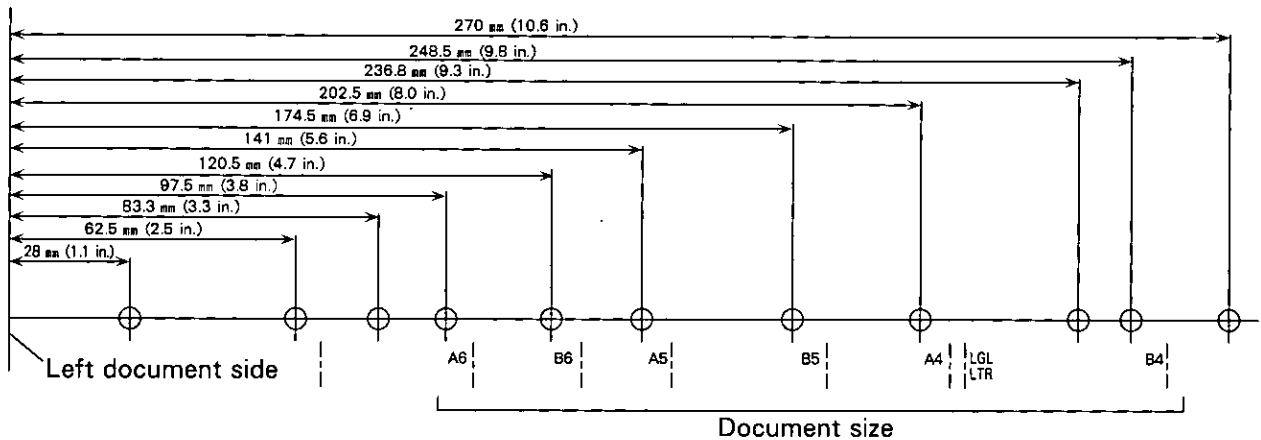
## ■ Printing position

For the KV-S2055 series imprinter.



# Printing

For the KV-S6040W / KV-S6045W series imprinter.



## ■ Printing area

For the KV-S2055 series pre-imprinter.

The shaded area can be printed. It will print in the same direction as the scanning document.

- The characters are also scanned at the same time.

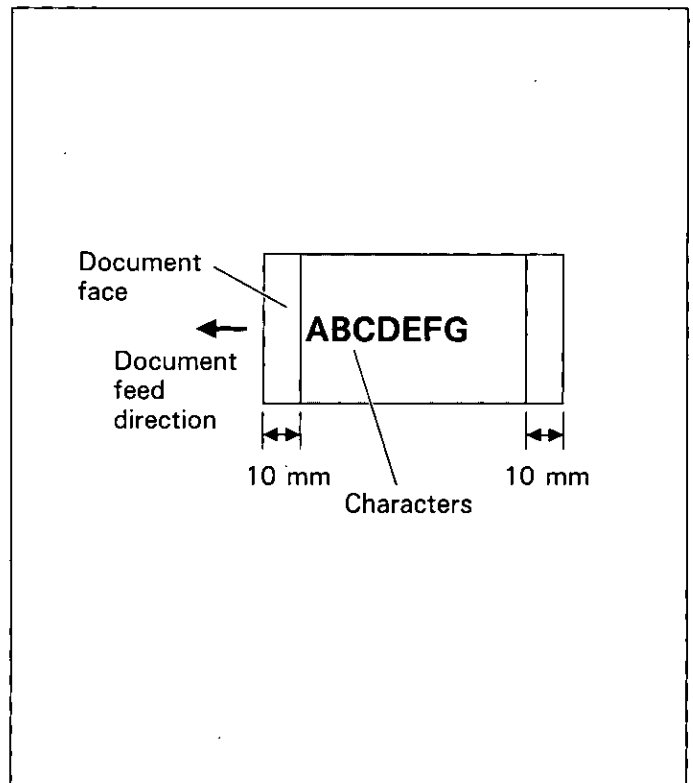
For the KV-S2055 series post-imprinter.

The shaded area can be printed. It will print in the opposite direction of the scanned document.

For the KV-S6040W / KV-S6045W series imprinter.

The shaded area can be printed. It will print in the same direction as the scanning document.

- The characters are also scanned at the same time.



## ■ Printable characters chart

SP	!	"	#	\$	%	&	'	(	)	*	+	,	-	.	/	0	1	2	3	4	5	6	7	8
9	:	:	<	=	>	?	@	A	B	C	D	E	F	G	H	I	J	K	L	M	N	O	P	Q
R	S	T	U	V	W	X	Y	Z	[	\	]	^	_	a	b	c	d	e	f	g	h	i	j	k
l	m	n	o	p	q	r	s	t	u	v	w	x	y	z	{		}	-						

If the display language is set to "Japanese", the "\ " character will be printed as "¥".

# Troubleshooting and Specifications

## ■ Troubleshooting

If a problem occurs while the unit is being used, first check the following items. If the unit still malfunctions, turn it OFF, and call for service.

Symptom	Possible Cause	Remedy
The unit does not print.	The connector is not connected.	Confirm that the connector is completely inserted.
	There is dirt on the top side of the ink cartridge.	Clean the top side of the ink cartridge with a tissue, etc.
	The ink is jammed. (If the unit is not used for a long period of time, it may not work properly.)	Perform installing the ink cartridge again.
	The ink has run out.	Perform installing the ink cartridge again. If nothing still print out, the ink has run out. Replace the ink cartridge to the new one.
	Printing position is wrong.	Confirm that the printing position is correct or not.
	Setting the print positioning knob index is wrong.	Confirm that the setting the print positioning knob index is correct or not for your scanner.
	Installing the imprinter unit is not correct.	Inset the scanner pins in the imprinter unit grooves completely.
Printing is not complete. Dots are missing.	There is dirt, etc., on the top side of the ink cartridge.	Clean the top side of the ink cartridge with a tissue, etc.
	The ink is jammed. (If the unit is not used for a long period of time, it may not work properly.)	Perform installing the ink cartridge again.
	Printing position is wrong.	Confirm that the printing position is correct or not.
	Setting the print positioning knob index is wrong.	Confirm that the setting the print positioning knob index is correct or not for your scanner.

## Troubleshooting and Specifications

---

### ■ Specifications

<b>Unit</b>	Printing side	KV-S2055 series : Back or front side of the document KV-S6040W/KV-S6045W series : Front side of the document
	Resolution	Main printing direction (Horizontal) : 55.8 dpi (0.455 mm) Sub-printing direction (Vertical) : 95.1 dpi (0.267 mm)
	Printing area	Vertical : excluded area is 10 mm from the top of the document and 10 mm from the bottom of the document Horizontal: 242 mm (manual setting)
	Nozzles	12 nozzles
	Unusable documents	Plastic film, coated documents
	External dimensions (Width×Depth×Height)	304 × 68 × 50 mm (12.0 × 2.7 × 2.0 in.)
	Mass (Weight)	600 g (1.3 lbs.)
<b>Operating Environment</b>	Operating temperature and humidity	15°C to 30°C (59°F to 86°F), 30% to 80%RH
<b>Storage Environment</b>	Storage temperature and humidity	0°C to 35°C (32°F to 95°F), 10% to 80%RH
<b>Accessory and Option</b>	Ink cartridge (KV-SS06) Please call 1-800-346-4768 (U.S.A. only) or your dealer.	

**Panasonic Communications & Systems Company**  
**Division of Matsushita Electric Corporation of America**

Two Panasonic Way, Secaucus, New Jersey 07094

**Panasonic Canada Inc.**

5770 Ambler Drive, Mississauga, Ontario, L4W 2T3

**Matsushita Electric Industrial Co., Ltd.**

Central P. O. BOX 288, Osaka 530-91, Japan