

Snow Plow Assembly Instructions



Treker NT & ST Series

Manual No. 701-157M

Before You Start



When you see this symbol, the subsequent instructions and warnings are serious - follow without exception. Your life and the lives of others depend on it!

IMPORTANT: Before you begin, read these instructions and check to be sure all parts and tools are accounted for. Please retain these installation instructions for future reference and parts ordering information.

Your Snow Plow is exclusively designed for your Land Pride NT & ST Treker. Please read these installation instructions and your NT & ST Treker Operator's Manual thoroughly before beginning. Especially read information relating to safety concerns. Also included in the Operator's Manual is important information on operation, adjustment, troubleshooting, and maintenance for this attachment (some manual sections do not apply to all accessories).

General Information

These assembly instructions apply to the following Snow Plow Accessories listed below:

701-067A NT 60" SNOW PLOW

701-068A ST 60" SNOW PLOW

Further Assistance

Your dealer wants you to be satisfied with your new Snow Plow. If for any reason you do not understand any part of this manual or are not satisfied with the service received, the following actions are suggested:

1. Discuss the matter with your dealership service manager making sure he is aware of any problems you may have and that he has had the opportunity to assist you.
2. If you are still not satisfied, seek out the owner or general manager of the dealership, explain the problem and request assistance.
3. For further assistance write to:

Land Pride Service Department
1525 East North Street
P.O. Box 5060
Salina, Ks. 67402-5060

E-mail address
lpservicedept@landpride.com



DANGER

Exercise **EXTREME CAUTION** when plowing. Always plow at a slow speed.



WARNING

TO AVOID SERIOUS INJURY OR DEATH:

1. **DO NOT EXCEED 5 MPH WITH BLADE INSTALLED.**
2. **OPERATE WITH EXTREME CAUTION ON SLOPES, STEEP GRADES, AND ROUGH TERRAIN.**
3. **KEEP AWAY FROM BLADE AND MOVING PARTS DURING OPERATION.**
4. **WHEN PLOWING SNOW OR DIRT INTO A PILE, START BACKING UP BEFORE RAISING THE BLADE.**
5. **DO NOT RAM THE BLADE INTO THE PILE. ** SLOW DOWN BEFORE HITTING PILE. ****
6. **BE AWARE OF POSSIBLE HIDDEN OBJECTS UNDER SNOW.**



CAUTION

TO AVOID PERSONAL OR OTHER INJURY:

1. **READ BLADE OWNER'S MANUAL, ATV OPERATOR'S MANUAL, AND SAFETY DECALS BEFORE OPERATING.**
2. **WEAR HEAD PROTECTION, SAFETY GLASSES, AND SHOES AS RECOMMENDED IN ATV OPERATOR'S MANUAL.**
3. **ALLOW NO RIDERS ON BLADE OR ATV WHILE MOVING OR STATIONARY.**
4. **KEEP BYSTANDERS AWAY FROM BLADE OR ATV WHILE MOVING OR STATIONARY.**
5. **BEFORE ADJUSTING BLADE ANGLE STOP ATV ENGINE, SET AND LOCK BRAKES, RAISE AND LOCK BLADE IN UP POSITION. DO NOT ATTEMPT TO RAISE BLADE BY HAND; USE THE LIFT HANDLE ONLY.**
6. **BEFORE ADJUSTING BLADE HEIGHT: LOWER BLADE TO THE DOWN POSITION.**
7. **WHEN BLADE IS NOT IN USE, STOP ATV ENGINE, SET AND LOCK BRAKES, AND LOWER BLADE TO DOWN POSITION.**

!!! OPERATION !!!

Your blade and hardware were designed with your safety in mind. In order to protect you and your machine, certain parts of the blade and / or hardware are designed to fail when the equipment is over stressed. For this reason Push Tubes, Blade Hinges, Foot Peg Brackets, Push Plate Attaching Pins and Clevis Pins are not covered by Warranty.

Blade angle is adjustable. Lock blade in the up position. To move the blade left, right or straight, pull the Blade

Assembly Instructions

Position Lever ahead and turn the blade to the desired position. The Lever will spring back when the blade is at the correct angle.

The blade skids are adjustable so the blade can be lowered but still held a certain distance off the ground.

The blade is designed to trip when it strikes an object or digs in too far. When pressure is released the blade springs back into position. Blade spring tension may be set stiffer by tightening the Locknuts on the bottom of the Eyebolts. For less spring tension, loosen the Locknuts.

Do not exceed 5 MPH with blade installed.

Operate with extreme caution on slopes, steep grades and rough terrain.

Keep away from blade and moving parts during operation.

When plowing snow or dirt into a pile, start backing up before raising the blade.

Do not ram the blade into the pile **** SLOW DOWN BEFORE HITTING THE PILE. ****

Be aware of possible hidden objects under snow.

Wear head protection, safety glasses and shoes as recommended in the machine's Operator's Manual.

Allow no riders on blade or machine while moving or stationary.

Keep bystanders away from blade and machine while moving or stationary.

When blade is not in use, stop the machine's engine, set and lock brakes, and lower blade to down position.

Only mature adults over the age of 16 should operate the machinery. Do not operate this machinery if you are under the age of 16.

Please read and follow all of the instructions in the owner's manual.

Please read and follow all of the instructions in the machine's operations manual.

Keep all bystanders a minimum of 15 Meters away from the machine and Blade when it is in operation.

Do not use this equipment at night (in the dark) or under poor weather conditions, unless your machine has adequate lighting, which produces clear safe vision.

Due to the extra length of the 60" (1.52 M) Blade, loss of directional control may result when pushing heavy material. **Use with Caution!**

Assembly Instructions

A detailed listing of parts for this accessory kit is provided on page 6. Use the list as a checklist to inventory parts received. Please contact your local Land Pride dealer for any missing hardware.

UNIVERSAL PUSH TUBE Part No. 823-226C



WARNING

! Due to reduced ground clearance remove plow Mount Brackets before trail riding.

! Do not exceed 5 MPH with the blade or its brackets installed

OPERATION TIPS

! When plowing snow or dirt into a pile, back away from the pile before attempting to raise the blade

! For best results set the suspension to the stiffest setting if possible

! The Blade is shipped with the Blade Skids mounted upside down for boxing. Be sure to mount the Skids properly before using your blade.

MAINTENANCE

! Periodically check for wear and tightness of all bolts, nuts and fasteners. Replace or tighten as necessary. Grease all pivot points and hinges as needed

NOTICE

! The use of Winch Mounting Kits Not Manufactured by Land Pride Accessories with Work Power Blades will void all warranties.

! The Winch Kits are specifically designed to help prevent damage to the Blades, Winch Kits and the Machine.

All directions referring to the right and the left are when the operator is sitting on the machine.

Blade Connection

To secure the Blade to the Blade Hinge (#2), Place the Steel Bushings (#9) into the holes in the Blade Hinge (#2), Using the Top holes in the Blade, Secure the Blade

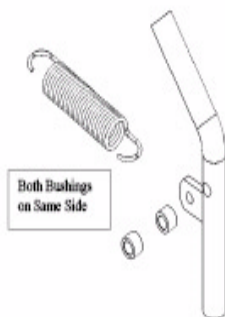
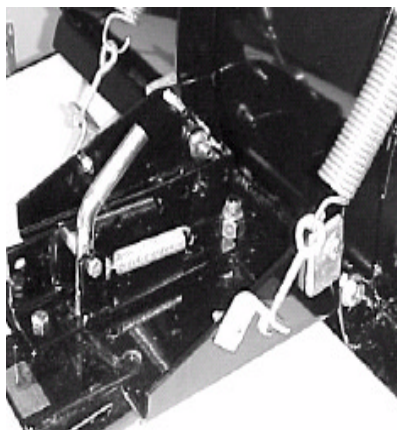
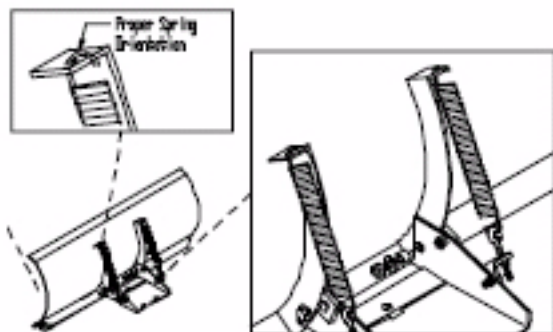
Assembly Instructions

Hinge (#2) to the Blade with the 1/2" x 1 " Bolts and Locknuts (#15). Tighten Nuts to 60 Ft Pounds of Torque. See diagram below.

Remove the two Blade Spring Attaching Brackets (#8) from the LEFT side of the Blade Hinge. Fasten one on either side of the Blade Hinge as shown in the parts breakdown and picture.

Hang the two Blade Springs (#16) from the top holes in the Blades ribs. Place the Eyebolts (#14) onto the springs and fasten the Eyebolts to the Blade Spring Attaching Brackets (#8) using the two locknuts.

Spring tension may be set stiffer by tightening the locknuts on the Eyebolts, or for less tension loosen the Locknuts. Setting the tension stiffer means the blade will not trip as easily as when set with less tension.



Install the Blade Position Lever (#5), and Blade Position Spring using the 5/16" x 2 1/4" Bolt (#12), Roller Bushings, and 5/16" Nylock Locknut provided. See picture above. Tighten bolt fully and THEN

LOOSEN JUST ENOUGH TO ALLOW THE BLADE POSITION LEVER TO MOVE FREELY. Both Roller Bushings on the LEFT side.

These Instructions are for the Push Tube Assembly only.

Final Blade Installation

Position the Push Tube Assembly (#1) under the machine. Lift the rear of the assembly up and secure it to the Push Tube Attaching Brackets using the 3/8" Clevis Pins and #3 Hairpins provided in the Attaching Kit.

The Blade Stops (#4) on either side of the Blade Hinge are shipped loose. By turning the Stops around, the pitch of the Blade changes. The recommended pitch is one that allows the top and bottom of the blade to be perpendicular to the ground. Set the Stops to the desired position, they must be the same on both sides, and tighten the bolts on the stops fully.

The Blade Skids on 60" blades are installed up side down at the factory for shipping/boxing purposes. Turn the Blade Skids around by loosening the two end bolts on the Blade and tighten the Bolts before using the Blade.

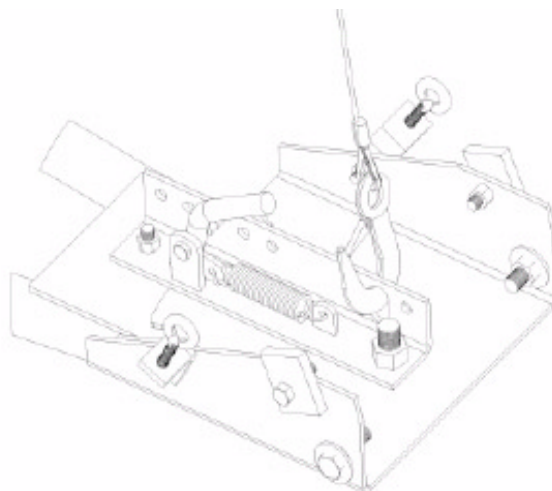
Blade Angle Operation

To move the Blade Left, Right or Straight, pull the Blade Position Lever (#5) forward and turn the blade to the desired position. The Lever will automatically spring into the slot when the Blade reaches the proper angle.

Blade Lift Operation with a winch

Method One:

The blade can be lifted using the winch. Hook the winch hook onto the slot in the Blade Position Lever Bracket (#3) and lift with the winch. See diagram below.



Method Two:

Some assembly may be done for you.

Align the Cable Pulley (#1) between the two Snatch

Assembly Instructions

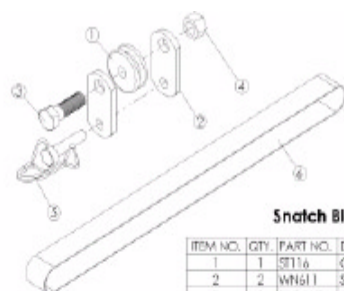
Block Straps (#2), secure with the supplied 1/2" x 1 1/2 bolt (#3) and the 1/2" center lock nut (#4). Do not over tighten. The Cable Pulley (#1) should be able to move freely. See below.

Thread the winch cable under the Cable Pulley (#1) as shown in the picture below.

Position the Snatch Block assembly over one of the holes on the blade position lever bracket. Insure that the Snatch Block assembly is free of any moving parts and does not interfere with the normal use of the blade system.

Attach the Lift Strap (#6) to the top of the brush guard. Hook the winch hook onto the Lift Strap (#6).

823-230C ST MOUNT KIT-SNOW PLOW W/INST



Snatch Block parts list.

ITEM NO.	QTY	PART NO.	DESCRIPTION
1	1	ST116	Cable Pulley
2	2	WH611	Snatch Block Straps
3	1	B12-112	1/2" x 1 1/2" Bolt
4	1	LN1-2CLY	1/2" Center Lock Nut Yellow
5	1	LP38-114	3/8" x 1-1/4" Locking Pin
6	1	U1512P	Lift Strap

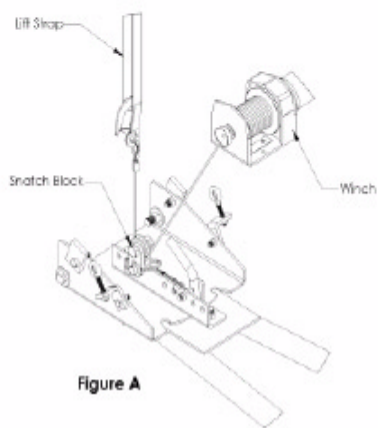
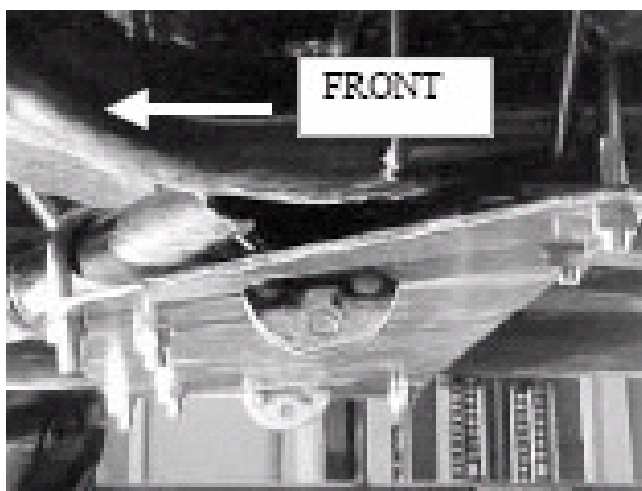


Figure A

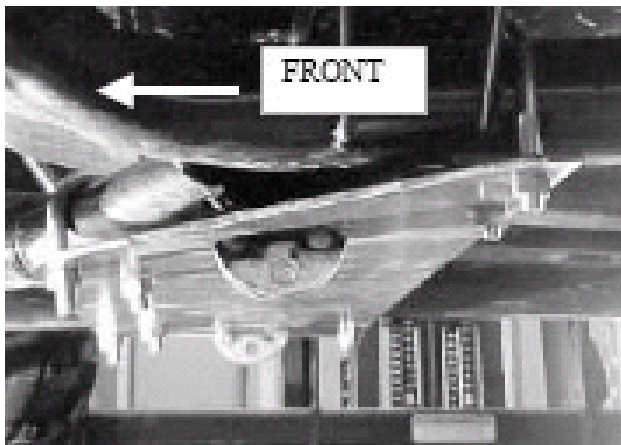
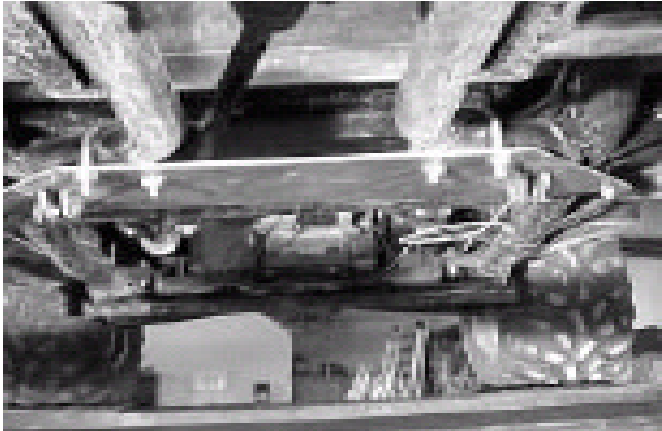


PLOW MOUNT

1. Attach (#1) Blade Mount to bottom of frame tubes (Shown above) using the (#5) 5/16" x 2" x 3" U-Bolts for the rear and the (#4) 3/8" x 1 1/2" x 2 1/2" U-Bolts for the front.

Assembly Instructions

823-227C NT MOUNT KIT-SNOW PLOW W/INST



PLOW MOUNT

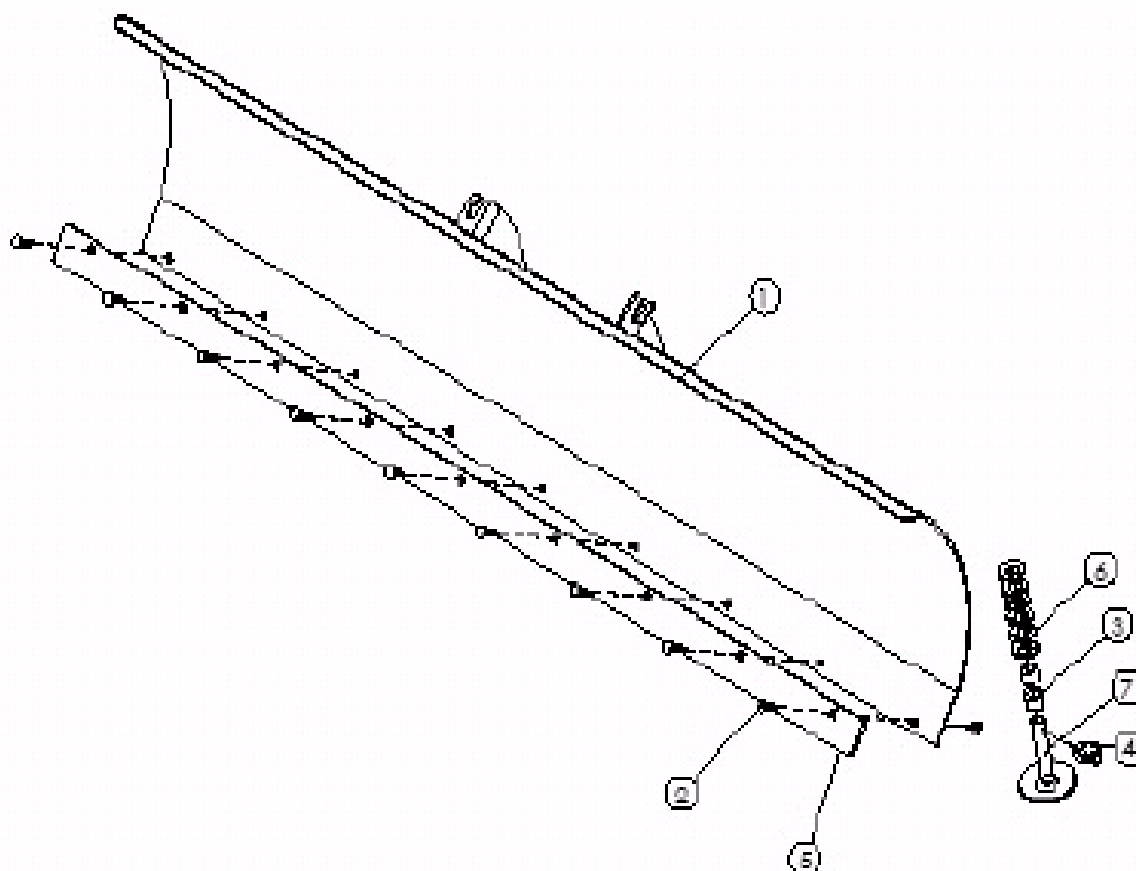
1. Attach (#1) Blade Mount to bottom of frame tubes (Shown above) using the (#5) 5/16" x 2" x 3" U-Bolts for the rear and the (#4) 3/8" x 1 1/2" x 2 1/2" U-Bolts for the front.

Listing of Parts

Kit No. 823-224C

60" STEEL SNOW PLOW

Item	Part No.	Part Description	Qty
1	823-224C	60" STEEL SNOW PLOW	1
2	802-282C	RHSNB 5/16-18X1 GR5	9
2	803-084C	NUT HEX NYLOCK 5/16-18 PLT	9
3	PUR0400	5/8" X 1" SPACER	4
4	805-240C	PIN LINCH 3/16 X 1 9/16 LONG	2
5	CYC0790	60" WEAR BAR METAL (Optional)	1
5	PUR1494	60" WEAR BAR PLASTIC (Optional)	1
6	804-021C	WASHER FLAT 5/8 SAE PLT	12
7	PUR1467	H. D. SKID	2

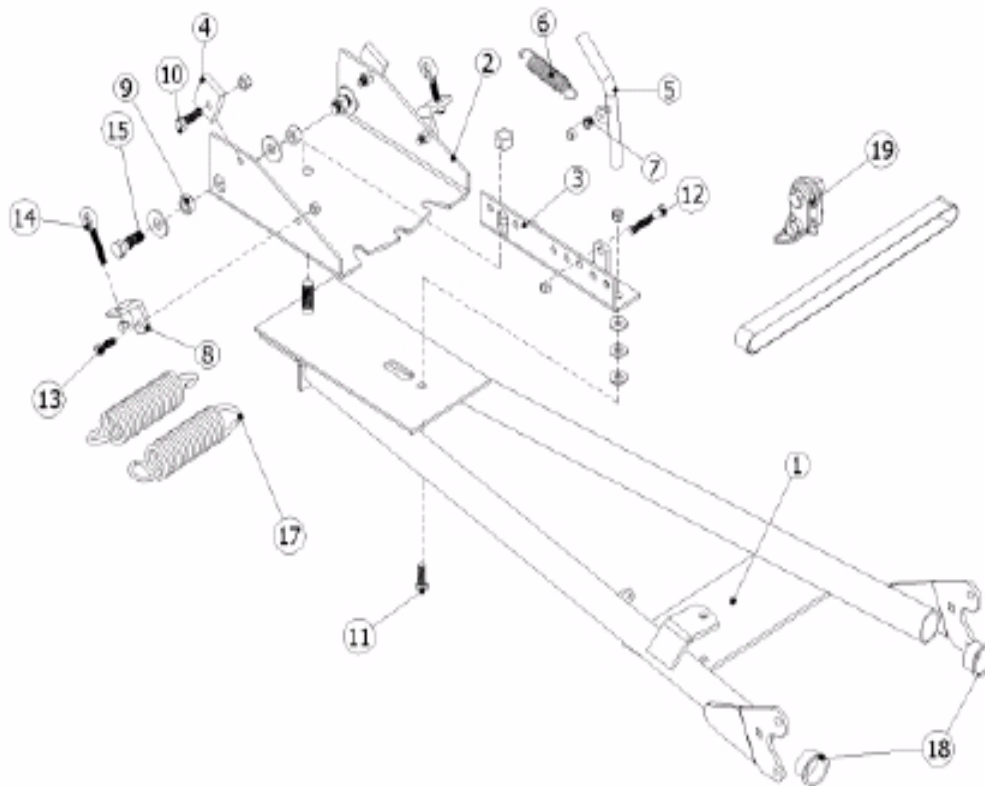


Assembly Instructions

Kit No. 823-226C

PUSH ARMS FOR SNOW PLOW

Item	Part No.	Part Description	Qty
	823-226C	PUSH ARMS FOR SNOW PLOW	
1	CYC3154	Y2K PUSH TUBE	1
2	CYC2389	BLADE HINGE	1
3	CYC0345	BLADE POSITION LEVER BRACKET	1
4	CYC0813	ADJUSTABLE BLADE STOPS	2
5	CYC2259	BLADE POSITION LEVER	1
6	PUR1437	SPRING	1
7	PUR1361	SLEEVE BUSHING	2
8	CYC0812	BLADE SPRING BRACKETS	2
9	PUR1411	7/8" STEEL BUSHING	2
10	802-079C	HHCS 3/8-16X1 1/4 GR5	2
11	803-155C	NUT LT JAM 1 1/4-12 NYLN INSRT	1
12	802-138C	HHCS 5/16-18X2 1/4 GR5	1
13	802-159C	HHCS 5/16-18X1 GR5	2
14	PUR1216	5/16" X 4-1/4" EYE BOLT	2
15	802-091C	HHCS 1/2-13X1 1/2 GR5	2
16	803-019C	NUT LOCK 1/2-13 PLT	2
17	PUR1409	BLADE SPRING	2
18	U610	1 3/8" END CAP	2
19		SNATCH BLOCK ASSEMBLY	1

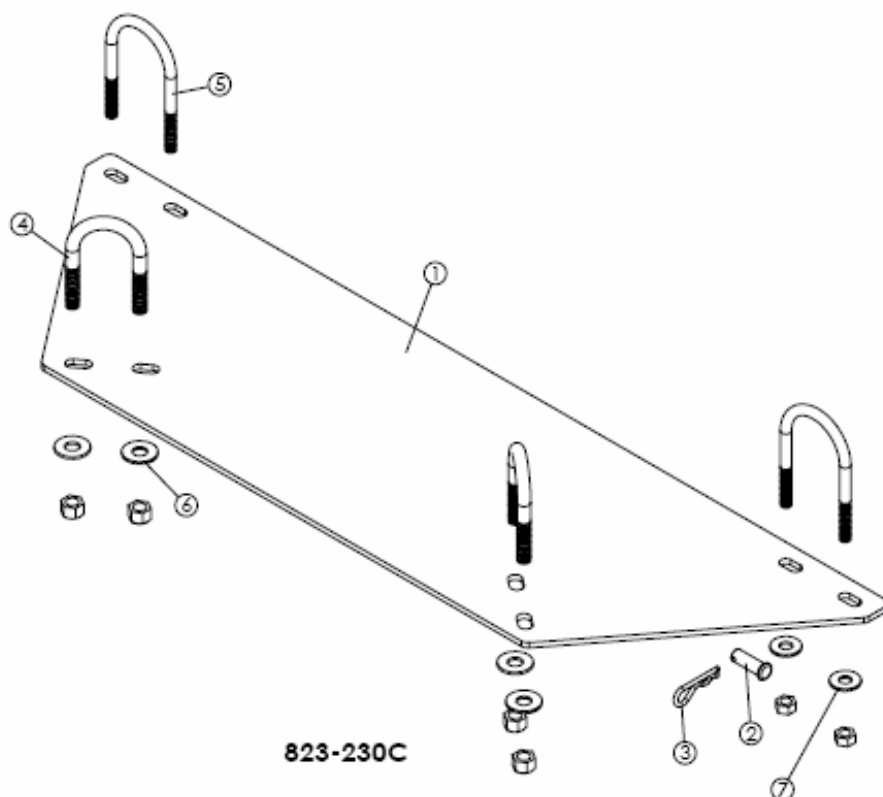


Assembly Instructions

Kit No. 823-230C

ST MOUNT KIT-SNOW PLOW

Item	Part No.	Part Description	Qty
1	CYC4610	BLADE MOUNT	
2	PUR1209	3/8" CLEVIS PIN	
3	805-010C	PIN HAIR COTTER .094	
4	PUR1415	3/8" X 1-1/2" X 2-1/2" U-BOLT	
5	PUR1435	5/16" X 2" X 3 U-BOLT	
6	804-011C	WASHER FLAT 3/8 USS PLT	
7	804-010C	WASHER FLAT 5/16 USS PLT	
	803-078C	NUT LOCK 3/8-16 NYLON INSERT	
	803-084C	NUT HEX NYLOCK 5/16-18 PL	

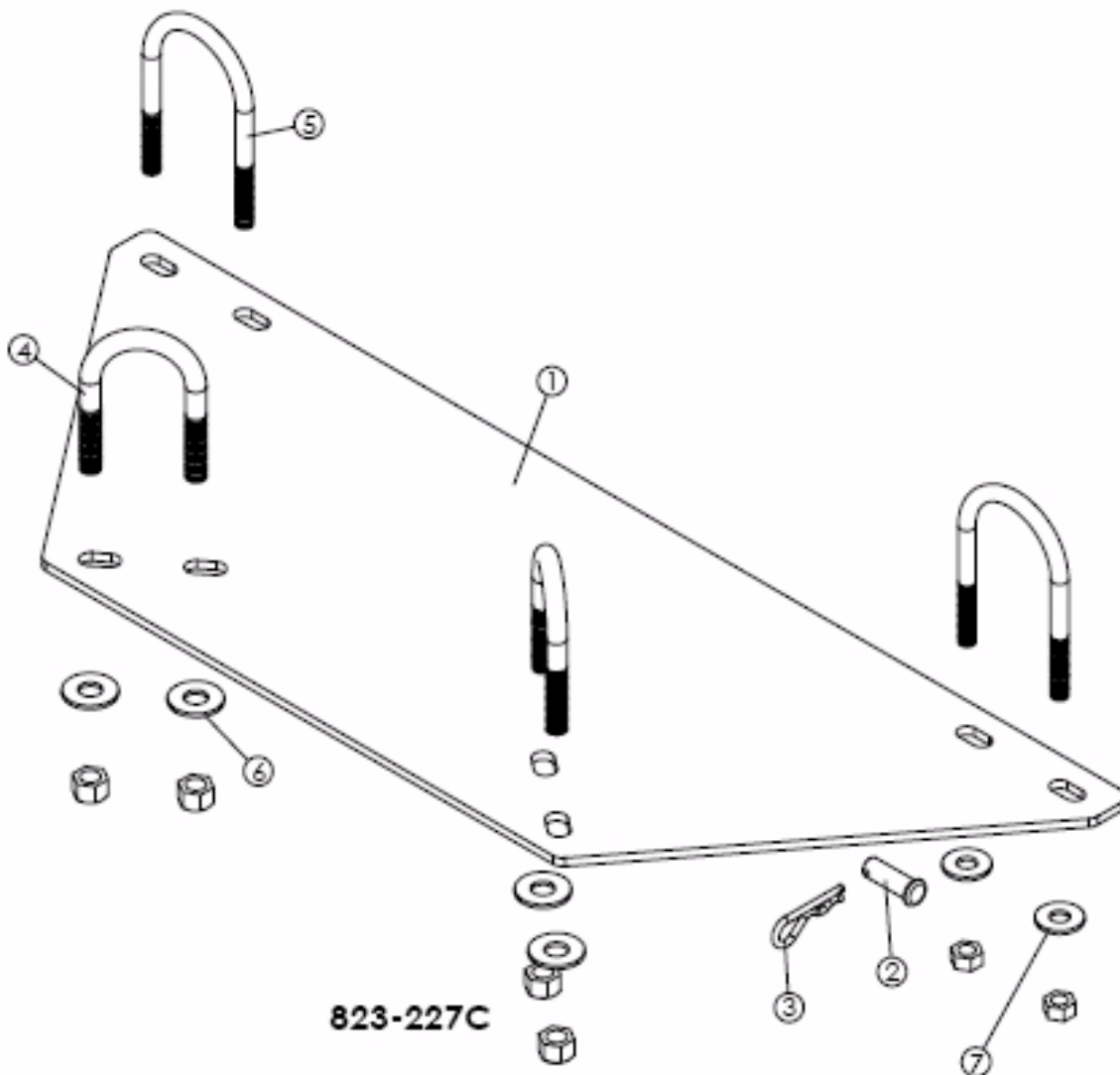


Assembly Instructions

Kit No. 823-227C

NT MOUNT KIT-SNOW PLOW

Item	Part No.	Part Description	Qty
1	CYC4598	BLADE MOUNT	
2	PUR1209	3/8" CLEVIS PIN	
3	805-010c	RPBY 805-010C	
4	PUR1415	3/8" X 1-1/2" X 2-1/2" U-BOLT	
5	PUR1435	5/16" X 2" X 3 U-BOLT	
6	804-011C	WASHER FLAT 3/8 USS PLT	
7	804-078C	WASHER INTERNAL STAR 3/8 PLT.	
	803-078C	NUT LOCK 3/8-16 NYLON INSERT	
	803-094C	NUT 5/8-11 NYLON COLLAR THIN	





Corporate Office: P.O. Box 5060
Salina, Kansas 67402-5060 USA
www.landpride.com
