



Gas Stock Pot Range

Item: _____
 Quantity: _____
 Project: _____
 Approval: _____
 Date: _____

Gas Stock Pot Range

Models:

G20-SP

G20-SPH



*Model G20-SP
(stock pot and stirrer not included)*

Standard Features:

- Heavy Duty modular construction
- Black baked enamel finish, tubular legs front and two sides.
- Adjustable 1-3/8" (35mm) high zinc plated leveling feet
- Removable valve control panel
- Removable drip tray
- One piece cast iron top grate with raised full ribs for stable pots
- Four Spectro-Heat Burners
- Infinite setting valve between Low (12,000 BTU), Medium (35,500 BTU) and High (60,000 BTU) positions for instant heat adjustment
- Pressure regulator - not supplied for use with manufacture gas
- 100% positive "H" safety pilot, to shut off gas if pilot flame goes out, Model G20-SPH

Optional Features:

- Stainless steel front, sides and legs

Specifications:

Gas stock pot range, with heavy duty modular construction, removable easy clean drip tray and one piece cast iron top grate with full width ribs. 20" (508mm) wide x 20" (508mm) deep x 24" (610mm) high, black baked enamel tubular legs, front and two sides, stainless steel removable valve control panel and 1-3/8" (35mm) high zinc plated leveling feet. Four spectro-heat burners and infinite valve settings allow for versatility of heat, 60,000 BTU maximum output. Constant shielding pilot for automatic lighting, 100% positive type "H" safety pilot available to shut off gas if pilot goes out, Model G20-SPH.



Garland Commercial Industries, LLC
 185 East South Street
 Freeland, PA 18224
 Phone: (570) 636-1000
 Fax: (570) 636-3903

Garland Commercial Ranges Ltd
 1177 Kamato Road,
 Mississauga, Ontario
 L4W 1X4 CANADA
 Phone: 905-624-0260
 Fax: 905-624-5669

Enodis UK LTD
 Swallowfield Way,
 Hayes, Middlesex
 UB3 1DQ ENGLAND
 Telephone: 081-561-0433
 Fax: 081-848-0041

Enodis®

Model	Dimensions			Input Natural Gas BTU	Cu Ft	Shipping Weight Lb/Kg
	Width	Depth	Height			
G20-SP	20" (508mm)	20" (508mm)	24" (610mm)	60,000	11	110/50
G20-SPH	20" (508mm)	20" (508mm)	24" (610mm)	60,000	11	110/50

Gas input ratings are show for natural gas installations up to 2000 Feet (610m) above sea level. BTU input ratings must be derated for high altitude installations. Specify altitude of project if over 2000 feet (610m).

For other gases specify type, caloric value, specific gravity and pressure at appliance.

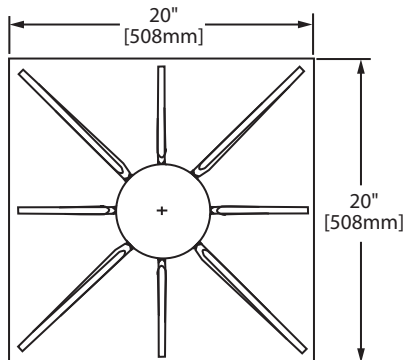
Pressure regulator not supplied for use with manufactured gas.

Model	Operating Pressure		Gas Inlet NPT
	Natural	Propane	
G20-SP	7" WC	11" WC	3/4"
G20-SPH	7" WC	11" WC	3/4"

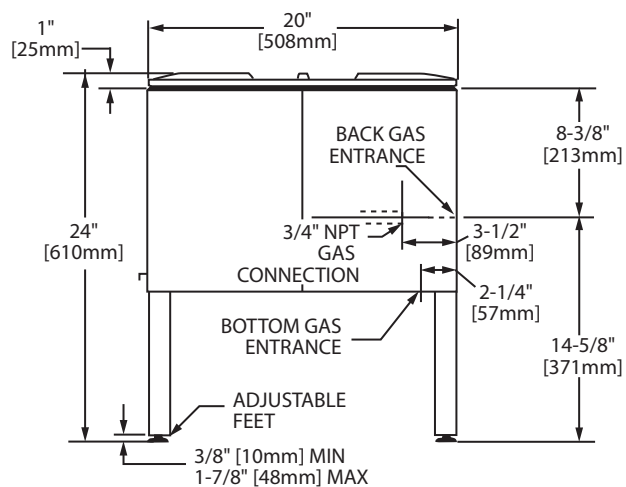
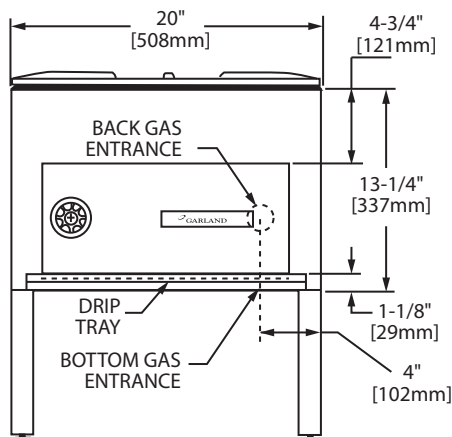
A Satisfactory power ventilator properly adapted for the range may be used.

NOTE: Many local codes exist, and it is the responsibility of the Owner and the Installer to comply with those codes.

Garland products are not approved or authorized for home or residential use, but are intended for commercial applications only. Garland will not provide service, warranty, maintenance or support of any kind other than in commercial applications.



Combustible Wall Clearances	
Sides	Back
6" (152mm)	6" (152mm)



Form# G20-SP (06/07)