

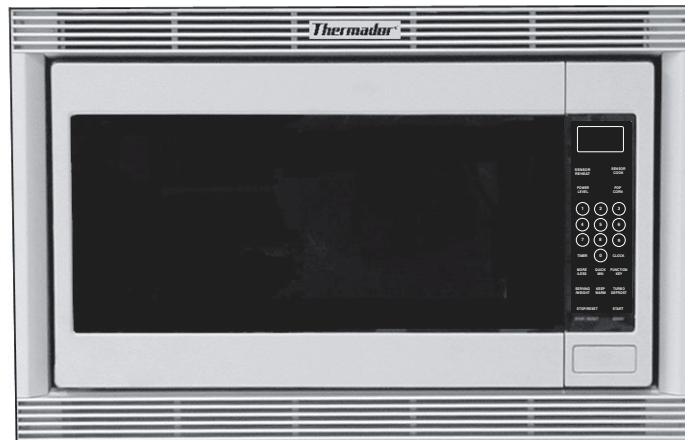
Installation Instructions

for

Thermador® Microwave MBY

(Sold Separately)

Built-In Trim Kits • Models MT27 & MT30



Please Read this entire manual before proceeding:

IMPORTANT: Local codes vary. Installation, electrical connections, circuit breakers and grounding must comply with all applicable codes. Save these instructions for the Local Electrical Inspector's use.

INSTALLER: Please leave these Installation Instructions with this unit for the owner.

OWNER: Please retain these instructions for future reference.

WARNING: Disconnect power at the breaker before installing.

Table of Contents

Step 1: Unpacking	2
Step 2: Cabinet Preparation	3
Step 3: Electrical Installation	3
Step 4: Installing the Trim Kit.....	4
Step 5: Installing the Microwave Oven	5

Thermador®

Step I: Unpacking

A. Microwave Oven Model MBY (Sold Separately)

Open the box and carefully remove fillers and all packing material. Included with your new Thermador microwave are the following:

- Care and Use manual (1)
- Quick Guide (1)
- Warranty Card (1)
- Turn Table (1)
- Turn Table Support (1)

B. Trim Kit Models MT27 & MT30

Open the box and carefully remove fillers and all packing materials.

Parts list:

- Trim Frame (1)
- Base Pan (1)
- Trim Bracket (2)
- Duct Side (1)
- Duct, Upper Exhaust (1)
- Duct, Top Intake (1)
- Duct, Rear Intake (1)
- Installation Instructions (1)
- 10-foot Roll Tape (1)
- Screws #8x1/4 (20)
- Grommet (1)

Table I

	TRIM KITS	Microwave Oven Models
30" cabinet	MT 30B (Black) MT 30W (White) MT 30S (Stainless)	MBYB MBYW MBYS
27" cabinet	MT27B (Black) MT27W (White) MT27S (Stainless)	MBYB MBYW MBYS

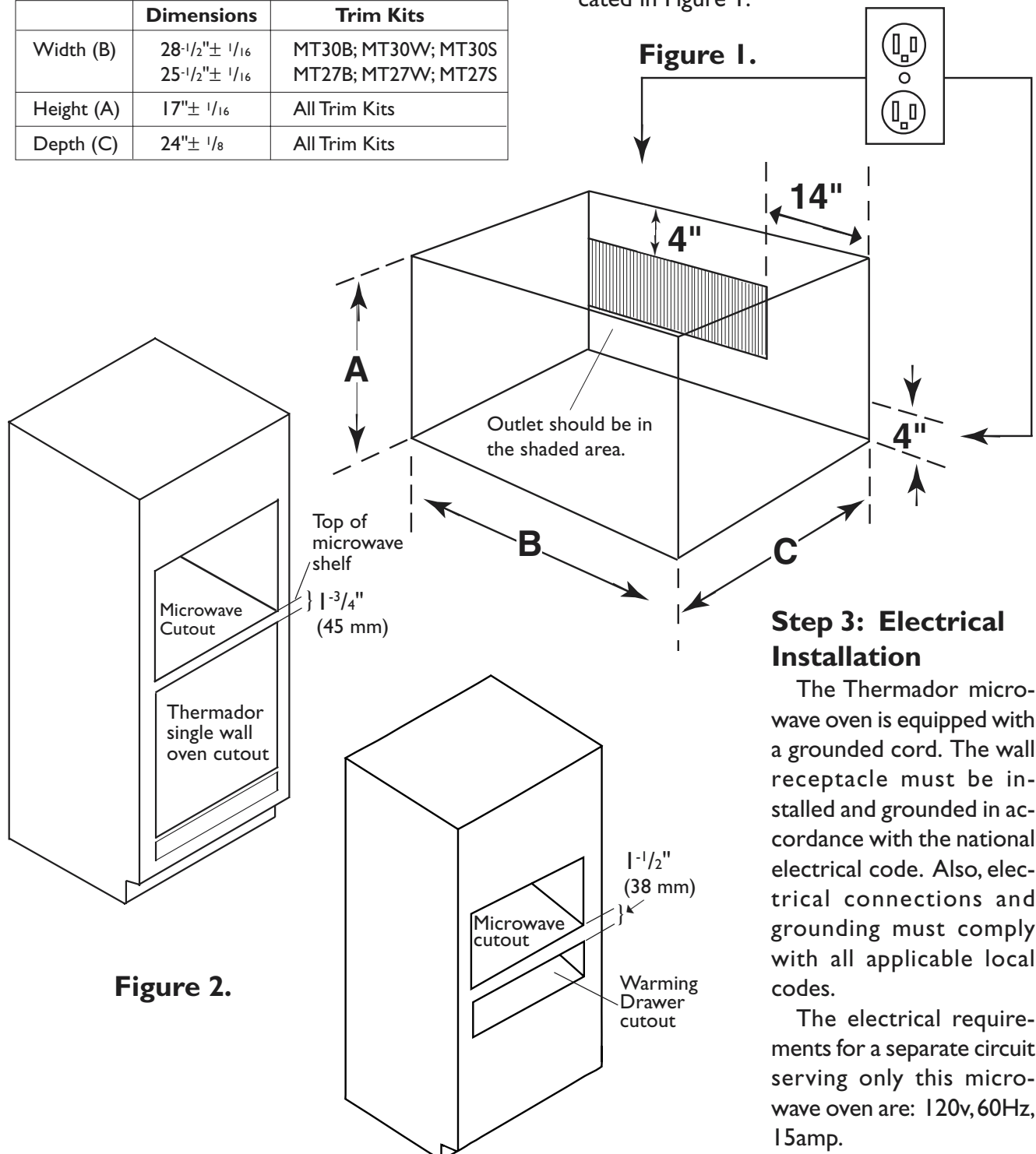
Caution:

- This trim kit is designed for use only with the Thermador Microwave Oven Models Listed (See Table I)
- For Safety, do not alter or modify any part of this kit or oven

Step 2: Cabinet Preparation

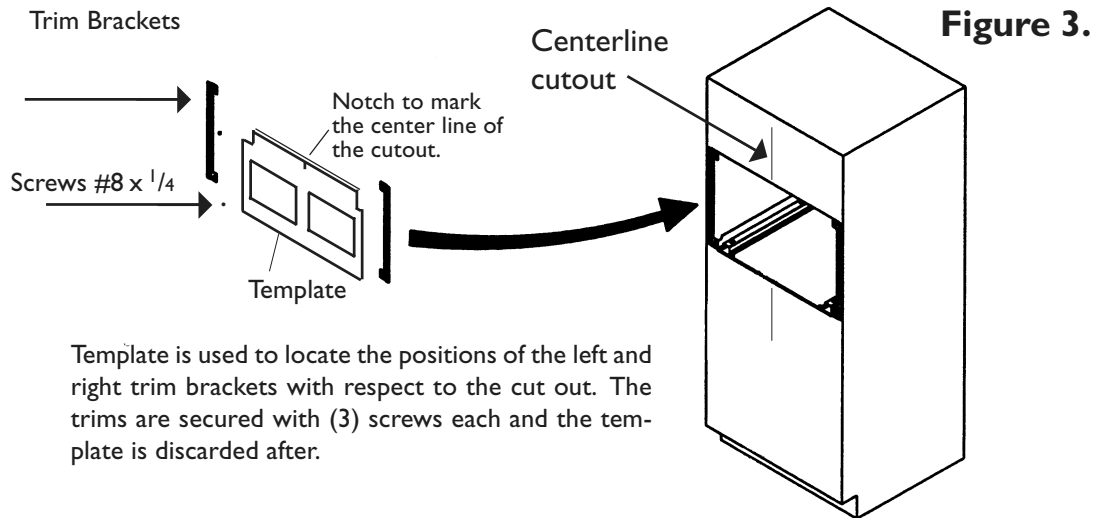
- The cabinet cut out dimensions are shown in Figure 1.
- It is good practice, when microwave oven is installed at the end of a cabinet run, adjacent to a perpendicular wall or cabinet door, to allow at least 1/4" space between the side of the trim and the wall/door
- Your microwave oven can be installed into a cabinet or wall by itself or above any of the following: Thermador wall ovens C271, C301, CM301, S301, SC301, CJ301 or Thermador Warming Drawers WD 27 and WD 30 (See Figure 2).
- Outlet should be in the shaded area as indicated in Figure 1.

	Dimensions	Trim Kits
Width (B)	28-1/2" ± 1/16	MT30B; MT30W; MT30S
	25-1/2" ± 1/16	MT27B; MT27W; MT27S
Height (A)	17" ± 1/16	All Trim Kits
Depth (C)	24" ± 1/8	All Trim Kits

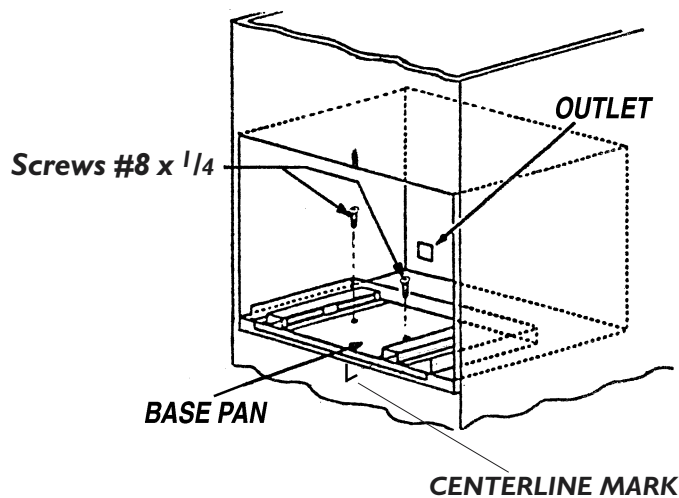


Step 4: Installing the Trim Kit

A. Position the 2 vertical trim brackets using the template as shown on Figure 3.



Mark the center line of the cut out using the template.



B. Position base pan on cabinet shelf with respect to the center line as shown on Figure 4. The front end of pan should align flush with the front edge of the shelf. Fasten base pan to shelf with 2 screws #8 x 1/4.

Step 5: Installing The Microwave Oven (Figure 5)

Note: The four (4) ducts have a plastic covering that must be removed prior to installing these ducts onto the microwave section. These ducts have sharp edges. Be careful when handling.

1. Remove and retain outer case screw at rear of the oven (left side)
2. Position upper exhaust duct on top (Hinge Side) of oven. Fasten with outer case screw
3. Position side duct on left side of oven and fasten it together with upper exhaust duct by using 2 screws #8x1/4.
4. Remove and retain outer case screw at rear of the oven (right side)
5. Install the grommet and the electrical cord of the microwave in the receiving hole provided in the rear intake duct, and position this duct on rear of the oven (right side). Fasten with outer case screw.
6. Position side duct on left side of oven and fasten it together with upper exhaust duct by using 2 screws #8x1/4.
7. Position top intake duct on upper (right side) of oven and fasten it together with rear intake duct by using 4 screws #8x1/4
8. Apply tape along all ducts flanges. Press tape to secure properly.

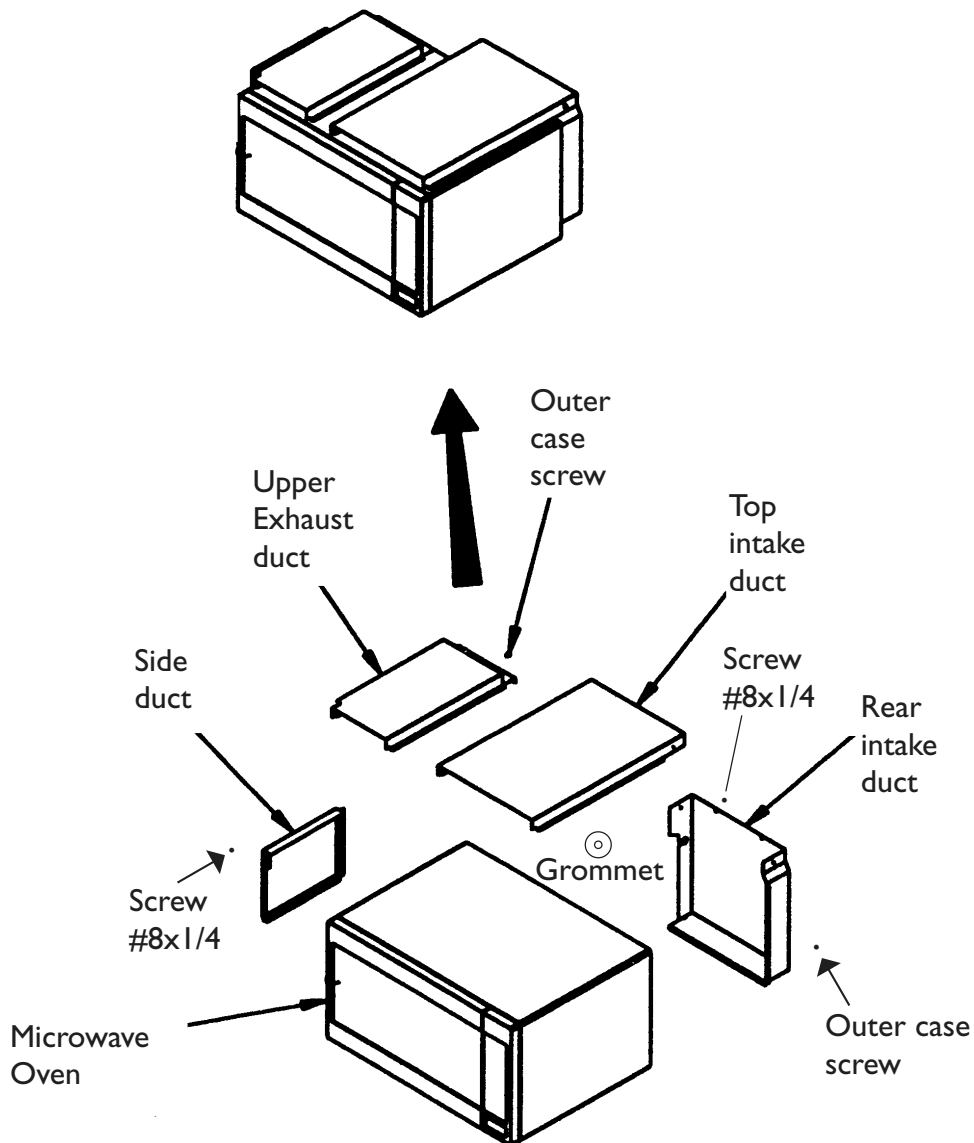


Figure 5.

Step 5: Installing The Microwave Oven (continued)

9. Remove the left side vertical trim bracket (3 screws) (for MT27 only)

10. Slide the assembled microwave oven in the prepared cabinet cutout. Plug the electrical cord in the wall receptacle (ask help from another person). Align the microwave oven legs to the pan channel holes (Figure 6).

11. Install back the left side vertical trim bracket. (3 screws)

12. Snap on the frame trim with the “Therma-dor Logo under the microwave door button. (Figure 7)

13. Install the turntable and the turntable support inside of the microwave oven.

14. Follow the “Care & Use” manuals instructions for operation

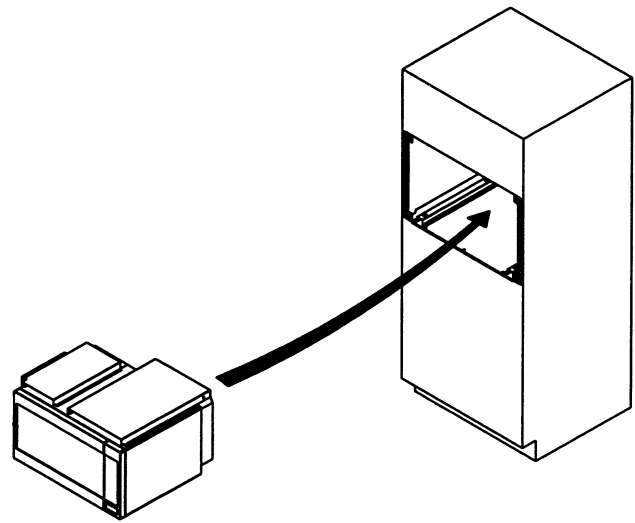


Figure 6.

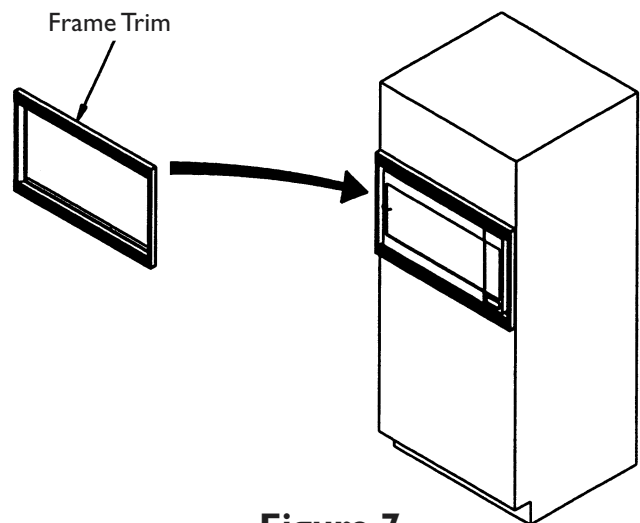


Figure 7.

Notes

Thermador reserves the right to change specifications or design without notice. Some models are certified for use in Canada. Thermador is not responsible for products which are transported from the United States for use in Canada. Check with your local Canadian distributor or dealer. Thermador, 5551 McFadden Avenue, Huntington Beach, CA 92649.

For the most up to date critical installation dimensions by fax, use your fax handset and call 702/833-3600. Use code #8030.

Thermador[®]

5551 McFadden Avenue, Huntington Beach, CA 92649 • 800/735-4328
ECO 12596 • 16-10-969B • © 2000 BSH Home Appliances Corp. • Litho Date: 8/01