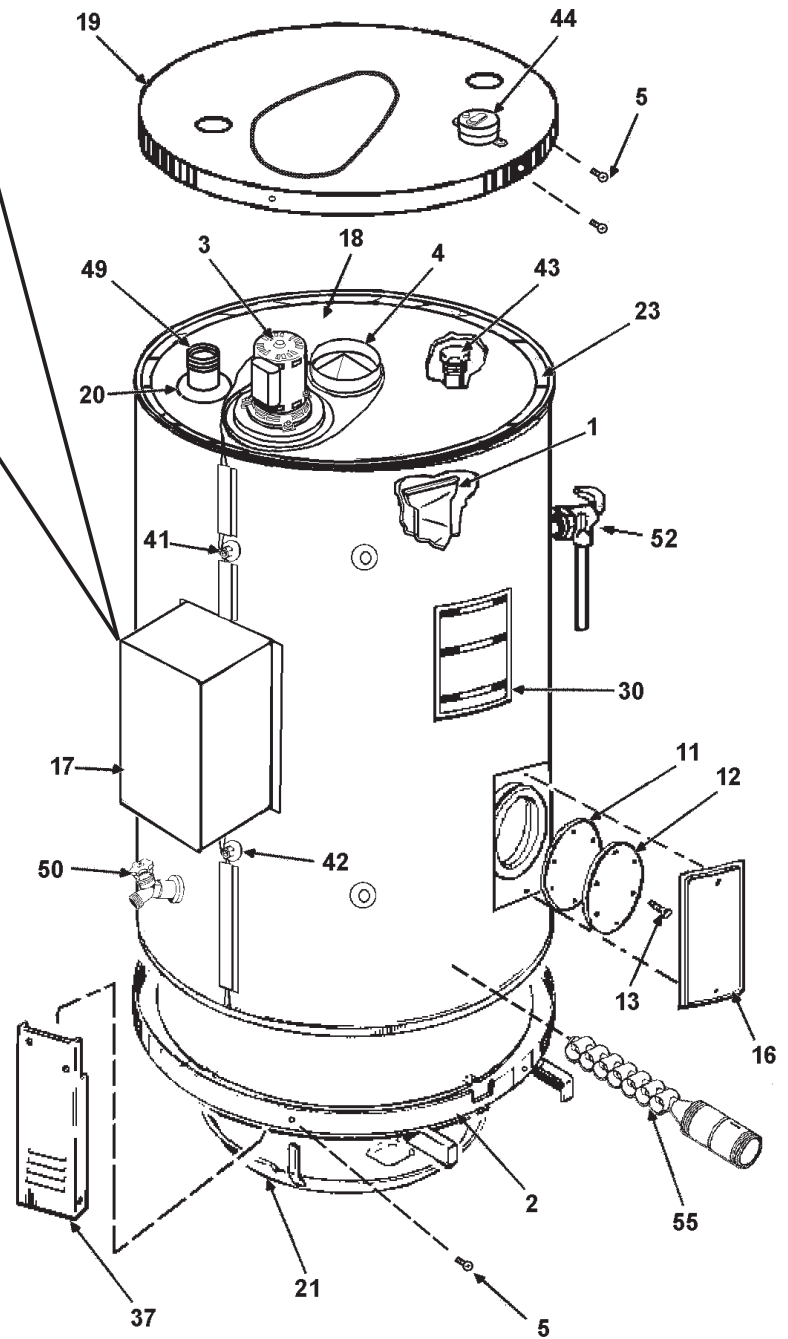
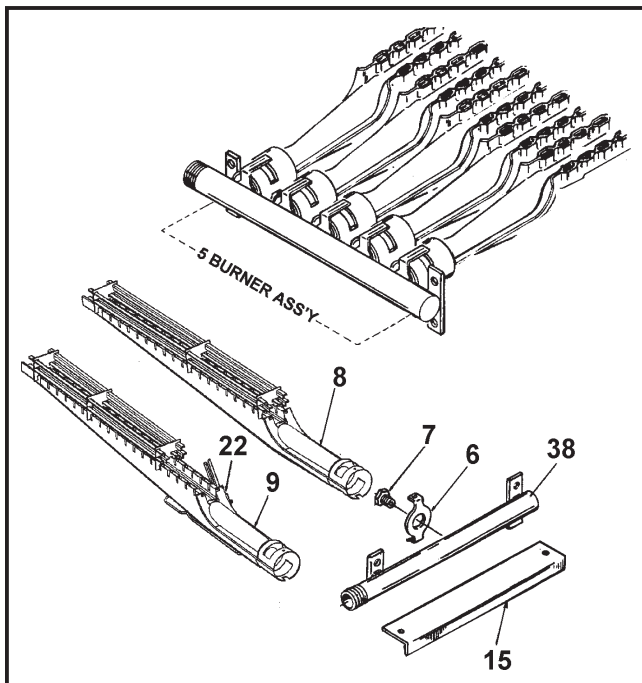
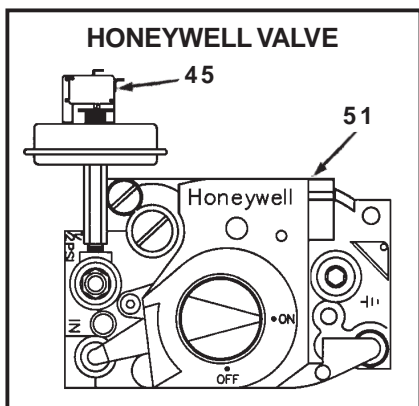
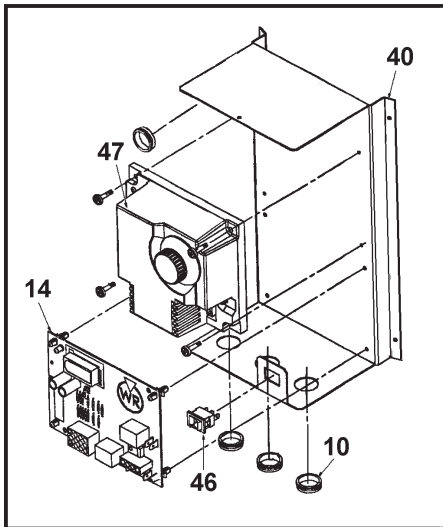


**COMMERCIAL BOOSTER WATER HEATER
REPLACEMENT PARTS LIST
MODELS SBD 30 150 & SBD 30 199**



STATE WATER HEATERS

500 Lindahl Parkway, Ashland City, TN 37015
Phone: 800-821-2017 • Fax: 800-644-9306
www.statewaterheaters.com

Item	Description	SBD 30 150	SBD 30 199
1	Baffle, Flue	195342	195342
2	Base, Jacket Assembly	194068	194068
Blower Assembly:			
3	Blower	194408	194408
4	Outlet Assembly, Exhaust	194424	194424
*5	Screw, TEK (Jacket-Cover/Base)	194613	194613
6	Burner, Orifice Bracket, Main	98044	98044
7	Burner Orifice, Main - Natural	76243-39	76243-32
7	Burner Orifice, Main - LP	76243-52	76243-50
8	Burner Assembly, Main	192322	192322
9	Burner w/Ignitor Bracket, Main	195712	195712
10	Bushing	193404	193404
Cleanout Assembly:			
11	Gasket	99038	99038
12	Pressure Plate	99037	99037
#13	Screws, Machine	69852-1(6)	69852-1(6)
14	Control, Ignition Assembly	194392	194392
15	Cover, Burner	98185-2	98185-2
16	Cover, Cleanout	181260	181260
17	Cover, Control Box	194395	194395
18	Cover, Inner	194388-8	194388-7
19	Cover, Jacket	194389	194389
20	Collar, Pipe Nipple	74060	74060
21	Floor Shield Assembly	193984	193984
22	Ignitor, Flame Sensor	195708	195708
23	Insulation, Top	194439	194439
Labels:			
*24	Cleanout	193914	193914
*25	Flammable Vapors	192872	192872
*26	Help Line	190600	190600
*27	Instruction	170345	170345
*28	Instruction, Bilingual	193912	193912
*29	Instruction, ECO	192282-1	192282-1
30	L&O Label	194401	194401
*31	Sandblaster	195123	195123
*32	Relief Valve	200042	200042
*33	Ultra Coat	193860	193860
*34	Water Inlet	161040	161040
*35	Water Outlet	161040-1	161040-1
*36	Wiring Diagram	194400	194400
37	Leg	194115	194115
38	Manifold	76244-2	76244-2
*39	Manual, Instruction	196308	196308
40	Plate, Mounting	194391-000	194391-000
41	Probe/ECO, Upper Thermostat	194396	194396
42	Probe/Lower Thermostat	194397	194397
43	Rod, Anode	183523-16	183523-16
44	Switch, Blower Prover	194411-5	194411-5
45	Switch, Low Gas Pressure - Natural	191149-5	191149-5
45	Switch, Low Gas Pressure - LP	191149-4	191149-4
46	Switch, Off/On	193243	193243
47	Thermostat, Digital	195437	195437
49	Tube, Outlet	192627-1	192627-1
50	Valve, Drain	26273-4	26273-4
51	Valve, Gas - Natural	194536-1	194536-1
51	Valve, Gas - LP	194536-3	194536-3
52	Valve, T&P	99465-7	99465-7
*53	Wire Harness - Control	194545	194545
*54	Wire Harness - Power	194399	194399
55	Hydro-Cannon	195098	195098

*Items not illustrated. # Quantities shown in parenthesis next to part number. TBD To be determined.

Part numbers underlined are recommended stock items for emergency replacement. (Consider gas used in your area only).

Requests from PSD by giving all information such as model and series number, type of gas and specifications.

STATE WATER HEATERS
 500 Lindahl Parkway, Ashland City, TN 37015
 Phone: 800-821-2017 • Fax: 800-644-9306
 www.statewaterheaters.com

