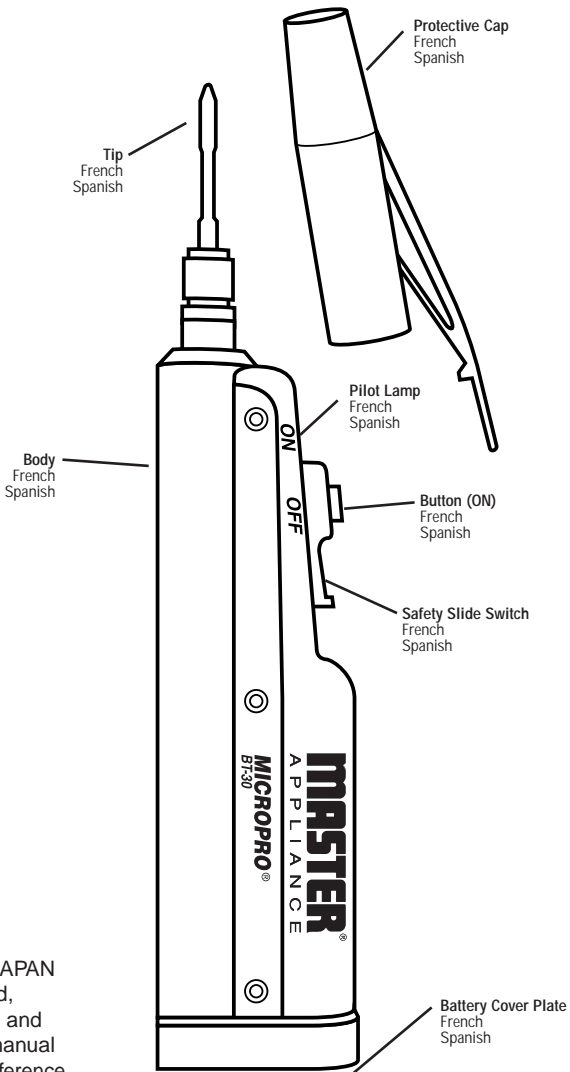


# MASTER<sup>®</sup>

A P P L I A N C E

## Master Micropro<sup>®</sup> BT-30 Battery Powered Portable Soldering Iron Instructions

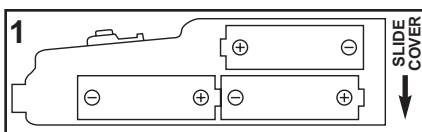
Instructions relatives au Micropro, Modèle Master BT-30  
Instrucciones para la herramienta Micropro Modelo BT- 30



MADE IN JAPAN  
Please read,  
understand and  
keep this manual  
for future reference.

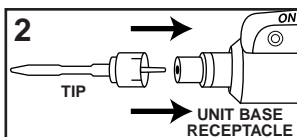
## BATTERY ORIENTATION (1)

Remove battery cover and place alkaline battery size AA (1.5V) x 3 pcs. in correct position as illustrated (fig 1). Replace cover.



## HOW TO MOUNT THE TIP (2)

- Align tip base over unit receptacle. Push inward until tip is fully seated on base.
- To remove ensure tip has cooled. Insert tip remover plate supplied with unit at base of tip and push tip away from base.



## OPERATING INSTRUCTIONS

- Move slide switch forward to ON position. (Push button will not operate in OFF position of slide switch for your safety.)
- Push button, pilot lamp will glow, tip will start to heat up. In about 10 seconds the tip will heat up to melt the solder.
- When the pilot lamp becomes dark and it takes more than 30 seconds to start solder melting, the batteries may be exhausted. Replace with 3 new batteries.
- Power keeps running while pushing button and is cut off when the finger is off the button. Make sure the finger is off the button right after soldering, otherwise the tip keeps heat on while pushing button. Timely intermittent push on and off cycle will make temperature control possible and battery life will be prolonged.
- To prolong tip life, tin the tip and make sure the slide switch is returned to OFF position when not in use.

## GENERAL SOLDERING INFORMATION

- For fast and accurate soldering, a clean and well-tinned tip is required. Heat and gently wipe with a rag or emery cloth to clean tip. Re-tin to minimize oxidation. Use good quality Solder; Rosin Core or Solid with the proper Flux for electronics work. Apply Solder ONLY at the point of the Tip.

## STORAGE OF YOUR MICROPRO

- Allow unit to cool and put protective cap on for storage.
- If your unit is not going to be used for awhile, store in the following manner. Store in proper location avoiding elevated temperatures and away from children.
- Remove batteries before storage.



**WARNING:** To prevent the risk of injury or accident, READ and UNDERSTAND the following warnings and how to use this tool. Keep this manual for future use.

## IMPORTANT SAFETY INSTRUCTIONS

1. Do not touch the tip, as it is extremely hot.
2. Do not strike or apply excessive pressure on the tip assembly.
3. When cleaning the tip with wet sponge, do not apply excessive water as it cools.
4. After use, make sure to return the slide switch to OFF position for safety.
5. While not in use, take batteries out of the tool and keep protective cap on.
6. Do not try to alter or tamper with the tool. Use only genuine parts.
7. Store away from and do not use in the presence of children.
8. Use local exhaust when soldering.

**WARNING:** This product, when used for soldering and similar applications, produces chemicals known to the State of California to cause cancer and birth defects or other reproductive harm.

**WARNING:** The FAA prohibits air transportation of devices that contain batteries unless properly prepared and protected from conditions that may create heat or fire. Batteries must be removed from this unit while in transport either as carry-on or checked baggage.

## BATTERY USE

- Make sure to use alkaline batteries, size AA (1.5V), 3 pcs. Other types of batteries might fail to perform as designed.
- Heat up time becomes longer as the battery is used. Replace batteries with new when heat up time becomes increased.
- Place batteries into unit per diagram to function properly. (fig 2)
- Do not put batteries in fire, nor abuse as short circuit, heat, charge. Those will result in damage, fire, injury and contamination.
- Do not try to solder a battery, as it might cause fire, injury and contamination.
- Do not touch liquid that has leaked out of a battery.
- If a damaged battery is touched, wash down with water.
- If liquid leaks out of batteries in the iron body, wipe it up and replace with new batteries.
- When not using the iron for a long period, take batteries out of the body.
- Do not mix new and old batteries and/or different types together at a time in the iron.
- Batteries are not rechargeable as supplied with unit.

## ONE YEAR FULL WARRANTY

Your Master battery powered soldering tool was carefully tested and inspected before it was shipped from the factory. We warrant this product to be free from defects in materials and workmanship under normal use and service for one year from date of purchase. In the event of a defect in materials or workmanship, we will either repair or replace, without charge, at our option, any part which in our judgment shows evidence of such defect.

This warranty does not apply to the attachments/tips/batteries, which are items requiring periodic replacement, nor does it apply if the tool has been misused, abused, altered, tampered with. This warranty does not cover any of the following: 1. Battery exhaustion, 2. Battery leakage, 3. Damage to or failure of the Micropro or any component thereof due to alteration, misuse, battery leakage or lack of maintenance. At the end of the warranty period, Master Appliance shall be under no further obligation expressed or implied. Some states do not allow limitations on how long an implied warranty lasts, so the above limitation may not apply to you.

Master Appliance assumes no responsibility for and this warranty shall not cover any incidental or consequential damages from any defect in this product or its use. Some states do not allow the exclusion or limitation of incidental or consequential damages, so the above exclusion may not apply to you.

This warranty gives you specific rights and you may also have other rights which may vary from state to state.







**For warranty repair** a proof of purchase receipt or other appropriate proof of date is required with your return for warranty repair to Master Appliance. All warranty claims must be made to Master Appliance and not the distributor. We decline responsibility where repairs have been made or attempted by others. Any different guarantee made by others is not authorized by us. If a warranty claim is to be made please return your tool prepaid, with proof of purchase and a note describing the problem to our customer service department. See below.

**For repair service** we charge a flat rate fee. Please call Master Appliance for the flat rate charge. Return your tool prepaid, with a note describing the problem.

## TROUBLE SHOOTING

PROBLEM	SOLUTION
LAMP GOES ON BUT TIP DOES NOT HEAT UP	Check to ensure tip is fully seated.
TIP HEATS BUT LAMP IS DIM	Replace lamp.
TIP DOES NOT HEAT UP AND LAMP DOES NOT GO ON	Replace exhausted batteries. Reorient battery position in unit. (See battery orientation section in manual.)

## OPTIONAL ACCESSORIES

Conical Tips	35364	.5mm (standard)	
	35367	1mm	
	35370	1.5mm	
Spade Tips	35365	.8mm	
	35368	1.3mm	
	35371	1.8mm	
Chisel Tips	35366	1.0mm	
	35372	1.5mm (standard)	
Tip Remover Tool	35373	(standard)	
Protective Cap	35374	(standard)	
1.5V AA Alkaline Batteries	35375	pkg of 4	

**MASTER**  
APPLIANCE

Master Appliance Corp.  
2420 - 18th St.  
Racine, WI 53403

Phone: (262) 633-7791

Fax: (262) 633-9745

[www.masterappliance.com](http://www.masterappliance.com)

P/N 58237