



Service Manual / Manuel de Service

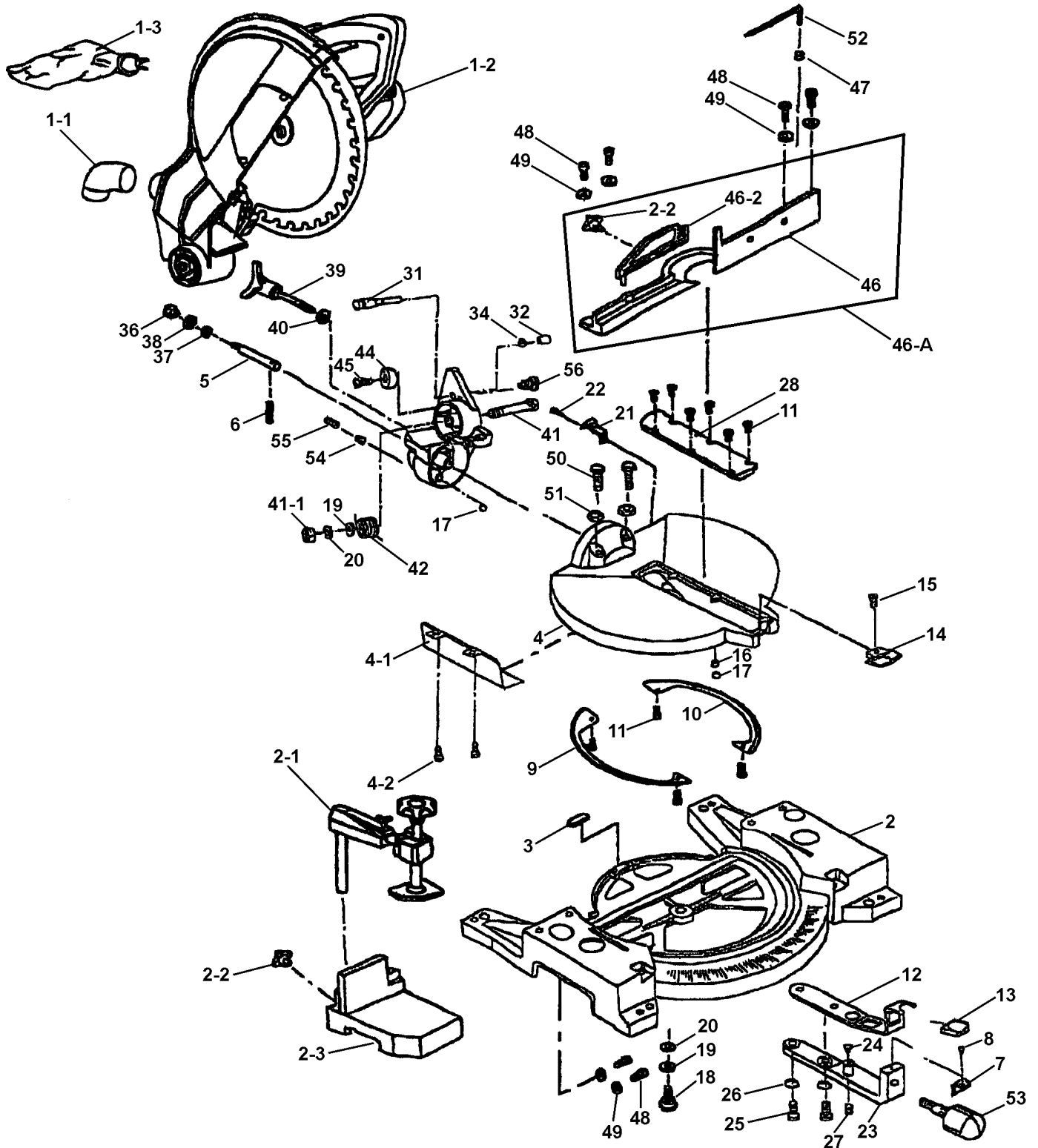
12" Compound Miter Saw Scie à Onglets 12" à Angles Composés



Revised/Revisé 08/2008

Main Diagram / Diagramme Principale

8339





Service Manual / Manuel de Service

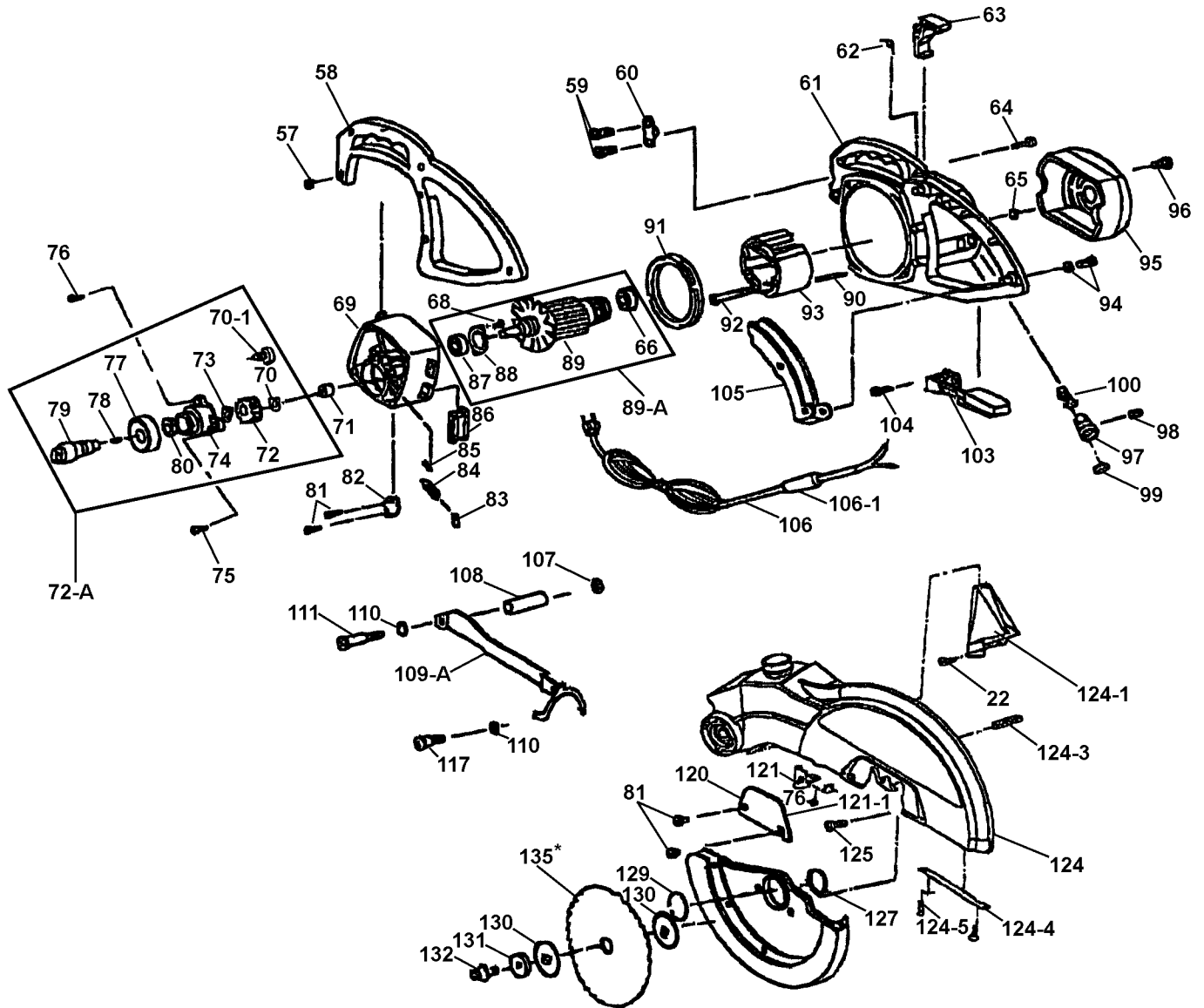
12" Compound Miter Saw Scie à Onglets 12" à Angles Composés



Revised/Revisé 08/2008

Head Diagram / Diagramme de la Tête

8339





Parts Pricing List / Liste de Prix des Pièces

8339

Diag.	Order # Com.	English Description	Description Française	Qty./Qté.	Price/Prix
1-1	5083390011	DUST ELBOW	COUDE POUR SAC A POUSSIERE	1	\$4.08
1-2	5083390012	COMPLETE MOTOR ASS'Y	MOTEUR COMPLET ASSEMBLE	1	\$342.53
1-3	5083390013	DUST BAG	SAC A POUSSIERE	1	\$17.19
2	5083390020	BASE	SOCLE	1	\$217.35
2-1	5083390021	COMPLETE VISE ARM ASS'Y	ETAU COMPLETE ASSEMBLE	1	\$34.44
2-2	5083390022	LOCK KNOB	BOUTON DE VERROUILLAGE	2	\$3.39
2-3	5083390023	EXTENSION TABLE	TABLE DE RALLONGE	1	\$57.33
3	5083390030	TABLE SHOE	SABOT DE LA TABLE	1	\$2.82
4	5083390040	TABLE	TABLE	1	\$201.25
4-1	5083390041	TABLE GUARD	GARDE DE LA TABLE	1	\$6.15
4-2	5083390042	SCREW	VIS	2	\$1.67
5	5083390050	TILL SHAFT	TIGE D'INCLINAISON	1	\$10.18
6	5083390060	SCREW	VIS	1	\$2.01
7	5083390070	LOCK PLATE	PLAQUE DE VERROUILLAGE	1	\$2.59
8	5083390080	SCREW	VIS	1	\$1.67
9	5083390090	TABLE HALF RING (LEFT)	DEMI-ANNEAU POUR TABLE (GAUCHE)	1	\$4.54
10	5083390100	TABLE HALF RING (RIGHT)	DEMI-ANNEAU POUR TABLE (DROIT)	1	\$4.54
11	5083390110	SCREW	VIS	10	\$1.67
12	5083390120	INDEX SPRING	RESSORT D'INDEXATION	1	\$12.59
13	5083390130	PUSH THUMB	BOUTON POUSSOIRE	1	\$3.16
14	5083390140	MITER INDICATOR	INDICATEUR D'ANGLE	1	\$5.00
15	5083390150	SCREW	VIS	1	\$1.78
16	5083390160	SPRING	RESSORT	1	\$2.70
17	5083390170	STEEL BALL	BILLE EN ACIER	2	\$2.36
18	5083390180	SHOULDER BOLT	BOULON AVEC EPAULEMENT	1	\$5.46
19	5083390190	WASHER	RONDELLE	2	\$2.93
20	5083390200	WAVE WASHER	RONDELLE ONDULEE	2	\$2.01
21	5083390210	TILT INDICATOR	INDICATEUR D'INCLINAISON	1	\$3.05
22	5083390220	SCREW	VIS	2	\$2.01
23	5083390230	LOCK HANDLE ARM	BRAS DE LA POIGNEE DE VERROU.	1	\$25.13
24	5083390240	MITRE ARM SHOE	SABOT DU BRAS DE VERROUILLAGE	1	\$1.78
25	5083390250	SCREW	VIS	2	\$1.78
26	5083390260	WASHER	RONDELLE	2	\$1.67
27	5083390270	SCREW	VIS	1	\$1.67
28	5083390280	TABLE INSERT	INSERTION DE TABLE	1	\$5.69
31	5083390310	HEAD LOCKING SHAFT	TIGE DE VERROUILLAGE DE LA TETE	1	\$4.54
32	5083390320	KNOB	BOUTON	1	\$2.24
34	5083390340	RETAINING RING/SHAFT	ANNEAU DE RETENU/TIGE	1	\$1.55
36	5083390360	NYLON HEX. NUT	ECROU HEXAGONAL AVEC NYLON	1	\$2.24
37	5083390370	WASHER	RONDELLE	1	\$2.13
38	5083390380	WAVE WASHER	RONDELLE ONDULEE	1	\$1.55
39	5083390390	BEVEL LOCK HANDLE	POIGNEE DE VERROUILLAGE/L'INCLIN.	1	\$11.44
40	5083390400	WASHER	RONDELLE	1	\$1.67
41	5083390410	HEX. HD PIVOT SHAFT	TIGE DE PIVOTEMENT A TETE HEX.	1	\$10.75
41-1	5083390411	NYLON HEX. NUT	ECROU HEXAGONAL AVEC NYLON	1	\$2.47
42	5083390420	TORSION SPRING	RESSORT A TORSION	1	\$12.36
44	5083390440	BUMPER STOP	BUTOIR D'ARRET	1	\$3.39

Pricing subject to change without prior notice. / Prix sujet à changement sans préavis.



Parts Pricing List / Liste de Prix des Pièces

8339

Diag.	Order # Com.	English Description	Description Française	Qty./Qté.	Price/Prix
45	5083390450	SCREW	VIS	1	\$1.78
46	5083390460	FENCE	GUIDE D'APPUI	1	\$80.33
46-A	5083390461	FENCE ASS'Y	GUIDE D'APPUI ASSEMBLE	1	\$96.43
46-2	5083390462	SWING FENCE	GUIDE D'APPUI A PIVOTEMENT	1	\$21.56
47	5083390470	RUBBER BUSHING	BAGUE EN CAOUTCHOUC	1	\$2.59
48	5083390480	CAP SCREW	BOULON A TETE CYLINDRIQUE	6	\$2.07
49	5083390490	WASHER	RONDELLE	6	\$1.61
50	5083390500	HEX. BOLT	BOULON HEXAGONAL	2	\$2.13
51	5083390510	HEX. NUT	ECROU HEXAGONAL	2	\$2.01
52	5083390520	HEX. KEY & SCREWDRIVER	CLE HEXAGONALE A/ POINTE DE TOUR.	1	\$4.43
53	5083390530	MITRE HANDLE	POIGNEE DE L'ONGLET	1	\$14.55
54	5083390540	SPRING	RESSORT	1	\$2.59
55	5083390550	SET SCREW	VIS SANS TETE	1	\$2.24
56	5083390560	SCREW	VIS	1	\$2.24
57	5083390570	HEX. NUT	ECROU HEXAGONAL	4	\$1.67
58	5083390580	LEFT HANDLE	POIGNEE GAUCHE	1	\$21.10
59	5083390590	SCREW	VIS	2	\$1.67
60	5083390600	CORD CLAMP	ATTACHE FIL	1	\$2.24
61	5083390610	MOTOR HOUSING W/HANDLE	BOITIER DU MOTEUR/POIGNEE	1	\$57.10
62	5083390620	SCISSOR SPRING	RESSORT EN CISEAU	1	\$2.59
63	5083390630	SWITCH LOCK BUTTON	BOUTON DE VERROUILLAGE/L'INTERR.	1	\$3.97
64	5083390640	SCREW	VIS	4	\$2.01
65	5083390650	WASHER	RONDELLE	2	\$1.55
66	5083390660	BALL BEARING	ROULEMENT A BILLES	1	\$10.29
68	5083390680	SCREW	VIS	2	\$1.67
69	5083390690	GEAR HOUSING	BOITIER DES ENGRENAGES	1	\$68.83
70	5083390700	RETAINING RING/SHAFT	ANNEAU DE RETENU / TIGE	1	\$2.24
70-1	5083390701	SCREW	VIS	1	\$1.90
71	5083390710	NEEDLE BEARING	ROULEMENT A AIGUILLES	1	\$16.04
72	5083390720	HELICAL GEAR	ENGRENAGE HELICOIDALE	1	\$25.13
72-A	5083390721	COMPLETE GEAR & HOUSING ASS.	BOITIER ET ENGRENAGE COMPLET ASS.	1	\$91.83
73	5083390730	RETAINING RING/SHAFT	ANNEAU DE RETENU/TIGE	1	\$1.55
74	5083390740	SHAFT SUPPORT HOUSING	BOITIER DE SUPPORT DE LA TIGE	1	\$21.45
75	5083390750	SCREW	VIS	1	\$1.78
76	5083390760	SCREW	VIS	1	\$1.78
77	5083390770	BALL BEARING	ROULEMENT A BILLES	1	\$20.64
78	5083390780	KEY	CLE DE RETENUE	1	\$1.67
79	5083390790	SPINDLE	ARBRE	1	\$38.93
80	5083390800	FIBER WASHER	RONDELLE EN FIBRE	1	\$1.67
81	5083390810	SCREW	VIS	4	\$1.78
82	5083390820	LOCK PLATE	PLAQUE DE VERROUILLAGE	1	\$2.70
83	5083390830	SPINDLE LOCK KNOB	BOUTON DU VERROUILLAGE/L'ARBRE	1	\$2.24
84	5083390840	SPINDLE LOCK	VERROU DE L'ARBRE	1	\$3.39
85	5083390850	SPRING	RESSORT	1	\$2.59
86	5083390860	INSULATION SLEEVE	MANCHON D'ISOLATION	1	\$3.05
87	5083390870	BALL BEARING	ROULEMENT A BILLES	1	\$12.25
88	5083390880	BALL BEARING RETAINER	PLAQUE DE RETENUE DU ROULEMENT	1	\$4.20



Parts Pricing List / Liste de Prix des Pièces

8339

Diag.	Order # Com.	English Description	Description Française	Qty./Qté.	Price/Prix
89	5083390890	ARMATURE	ARMATURE	1	\$137.83
89-A	5083390891	ARMATURE ASS'Y	ARMATURE ASSEMBLE	1	\$114.83
90	5083390900	WIRE JUNCTION	FIL DE JONCTION	1	\$2.70
91	5083390910	FAN GUIDE	GUIDE DU VENTILATEUR	1	\$2.93
92	5083390920	HEX. BOLT (LONG)	BOULON HEXAGONAL (LONG)	2	\$2.70
93	5083390930	FIELD COIL	BOBINE D'ENTRAINEMENT	1	\$57.33
94	5083390940	SCREW WITH WASHER	VIS AVEC RONDELLE	1	\$2.13
95	5083390950	MOTOR COVER	COUVERCLE DU MOTEUR	1	\$9.95
96	5083390960	SCREW	VIS	2	\$2.01
97	5083390970	BRUSH HOLDER	PORTE BALAI	2	\$8.80
98	5083390980	SET SCREW	VIS SANS TETE	2	\$1.67
99	5083390990	BRUSH COVER	COUVERCLE DES BALAIS	2	\$2.59
100	5083391000	CARBON BRUSH SET (2)	JEU DE BALAI AU CARBONE (2)	1	\$16.04
103	5083391030	SWITCH	INTERRUPTEUR	1	\$38.93
104	5083391040	SCREW	VIS	2	\$1.78
105	5083391050	SWITCH TRIGGER	GACHETTE DE L'INTERRUPTEUR	1	\$5.58
106	5083391060	POWER CORD	CORDON D'ALIMENTATION	1	\$17.19
106-1	5083391061	CORD PROTECTOR	PROTEGE-CORDON	1	\$2.70
107	5083391070	NYLON HEX. NUT	ECROU HEXAGONAL AVEC NYLON	1	\$1.78
108	5083391080	SPACER	ESPACEUR	1	\$2.24
109-A	5083391091	LEVER ASS'Y	LEVIER ASSEMBLE	1	\$21.79
110	5083391100	WASHER	RONDELLE	2	\$1.55
111	5083391110	SHOULDER BOLT	BOULON A EPAULEMENT	1	\$3.05
117	5083391170	SHOULDER BOLT	BOULON A EPAULEMENT	1	\$2.70
120	5083391200	PROTECTOR PLATE	PLAQUE DE PROTECTION	1	\$5.69
121	5083391210	DUST GUARD	PROTECTEUR DES SCIURES	1	\$9.14
121-1	5083391211	BUMPER	AMORTISSEUR	1	\$3.05
124	5083391240	UPPER BLADE GUARD HOUSING	BOITIER DU PROTEGE LAME (HAUT)	1	\$132.25
124-1	5083391241	DUST PORT	SORTIE POUR POUSSIERES	1	\$5.58
124-3	5083391243	SPRING PIN	GOUILLE A RESSORT	1	\$2.13
124-4	5083391244	GUARD PLATE	PLAQUE DE PROTECTION	1	\$4.89
124-5	5083391245	SCREW	VIS	2	\$1.78
125	5083391250	SCREW	VIS	1	\$1.90
127	5083391270	GUARD SPRING	RESSORT DU PROTECTEUR	1	\$3.28
129	5083391290	RETAINING RING	ANNEAU DE RETENU	1	\$2.59
130	5083391300	BLADE FLANGE	BRIDE DE LA LAME	2	\$6.73
131	5083391310	BLADE WASHER	RONDELLE DE LA LAME	1	\$2.59
132	5083391320	ARBOR SCREW	BOULON DE L'ARBRE	1	\$3.28
135	KSC-1240	BLADE	LAME	1	-
	508339MBIL	BILINGUAL MANUAL 8339	MANUEL BILINGUE 8339	1	\$15.00