

SNAPPER®

INSTALLATION/OPERATION INSTRUCTIONS

SNOW THROWER

"SINGLE HANDLE CONTROL" RETRO-FIT KIT #6-0990

This Retro-Fit (pre-assembled) kit enables the operator of earlier INTERMEDIATE snow throwers to utilize the "SINGLE CONTROL FEATURE" -standard on later models.

INSTALLATION

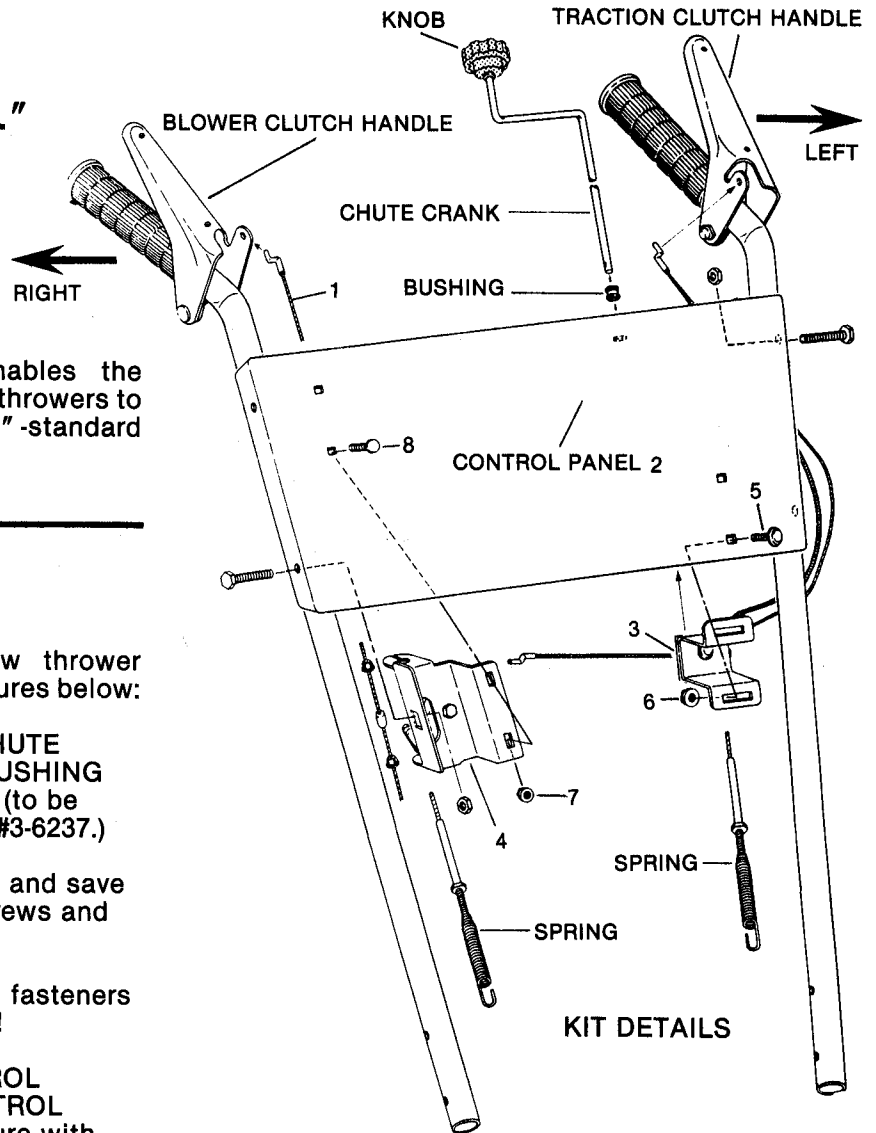
To install the kit refer to your snow thrower Operator's Manual and follow the procedures below:

1. Remove the hairpin securing the CHUTE CRANK. Remove the CRANK and BUSHING from the original CONTROL PANEL (to be used in the new CONTROL PANEL #3-6237.)
2. Next, remove the CONTROL PANEL and save the (4) 5/16"x1-1/2" hex head capscrews and (4) 5/16" hex lock nuts.
3. Install new CONTROL PANEL using fasteners removed in step 2. Securely tighten!
4. Install the BUSHING in new CONTROL PANEL and insert the CHUTE CONTROL CRANK through BUSHING and secure with hairpin.
5. Disconnect BLOWER CONTROL CABLE fitting from the blower clutch handle (RIGHT HANDLE) and disconnect the spring from auger link. Attach the new cable #1-8982 to the handle and link.

Disconnect the fitting on the TRACTION CLUTCH handle and disconnect the spring from the traction link. Attach the new fitting on CABLE/GUIDE assembly #5-2025 cable to the TRACTION CLUTCH handle and the spring to the link.

NOTE: Adjust cables according to **CLUTCH CABLE ADJUSTMENT** procedures on Page 2.

#1-6301 (IR 3/90)



* Pre-assembled to new CONTROL PANEL

PARTS LIST

ITEM	PART NO.	DESCRIPTION
1.	*1-8982	CABLE, Auger (R.H.)
2.	3-6237	PANEL, Control
3.	*5-2025	CABLE/GUIDE Assembly
4.	*5-7508	CAM/LOCK Assembly
5.	*9-0005	BOLT, 1/4"-20x1/2" (2) Short Neck Carriage
6.	*9-0583	LOCKNUT, 1/4"-20 Hex Flange (2)
7.	*9-0623	LOCKNUT, #10-24 Hex Flange (2)
8.	*9-0960	BOLT, #10-24x1/2" F.H.C. (2)

(continued on page 2)

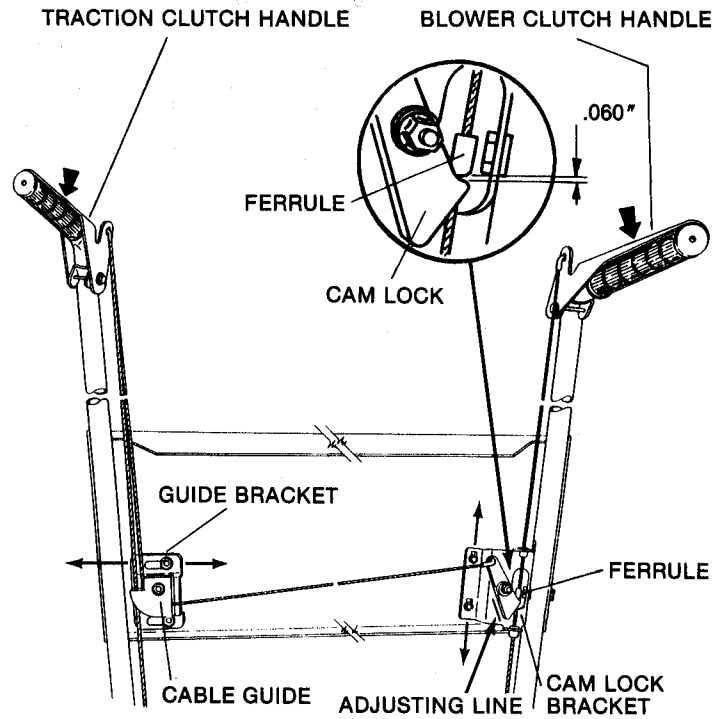
(over)

6. Adjust CAM LOCK and CABLE/GUIDE assemblies as illustrated and described:

(A) Move the TRACTION CLUTCH handle down and temporarily tie it against the handle grip. The edge of the CAM LOCK must be aligned with the adjustment line (mark) scribed on the CAM LOCK bracket as shown. To align, loosen the two fasteners securing the CABLE/GUIDE bracket to CONTROL PANEL and slide bracket inward or outward as needed - then retighten fasteners.

(B) With the TRACTION CLUTCH handle still secured, lower the BLOWER CLUTCH handle and tie against the handle grip.

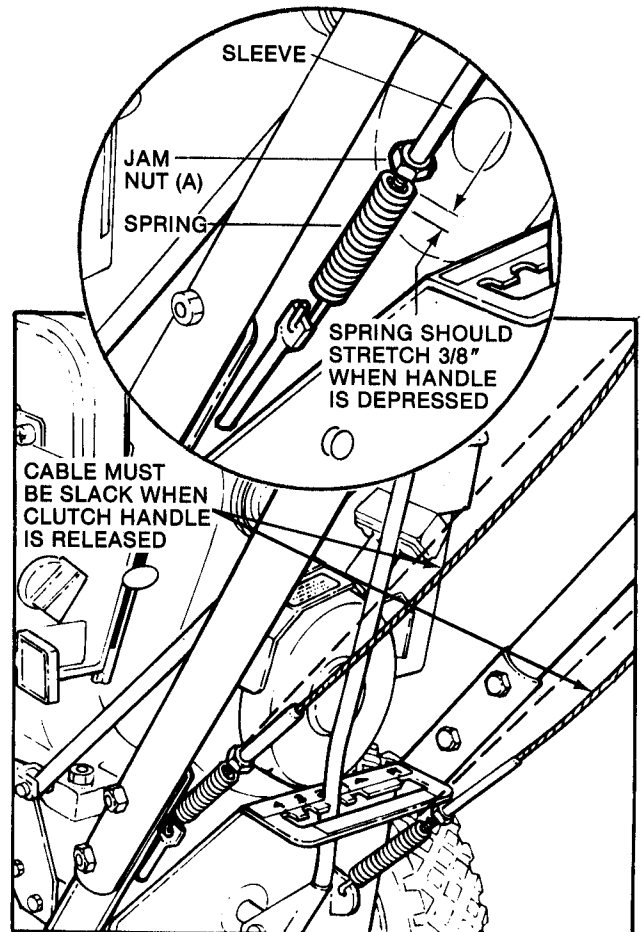
The ferrule (shown in inset) must be located about 1/16" (.060 exact) above the CAM LOCK "hook". To adjust, loosen the 3 fasteners securing bracket and slide up or down until the correct setting is achieved - then retighten fasteners. Untie both handles after adjusting has been completed.



CONTROL CABLE ADJUSTMENTS

CLUTCH CABLE ADJUSTMENT

If slippage should occur, check the tension of both clutch cables. When properly adjusted, each cable should be completely slack when the clutch handle is released and tight when the handle is fully depressed. The spring on each cable should deflect 3/8" when the handle is depressed. To adjust cable length, (shorten or lengthen), loosen jam nut (A) and rotate adjuster sleeve as needed until the 3/8" deflection is attained. Retighten jam nut against sleeve. Refer to illustration.



CLUTCH CABLE ADJUSTMENT

OPERATION

To activate the "SINGLE HANDLE CONTROL" during operation, release the BLOWER CLUTCH handle while holding the TRACTION CLUTCH handle down - then blower will remain engaged and you may direct the discharge of snow to the right or left by cranking the DISCHARGE CHUTE CRANK with your RIGHT hand.

Releasing the TRACTION CLUTCH handle stops the unit's forward or reverse movement and stops the blower.