

FEATURED MODEL

157-042-CR **BLANCOPODOS™ Faucet in Polished Chrome**

ADDITIONAL MODELS

157-042-ST **Stainless (Satin Nickel)**

FEATURES

- Solid brass body
- Ceramic disc cartridge
- Reversible mounting hardware adapts to thick or thin mounting surfaces
- 2.2 G.P.M. flow rate
- Installation in a 1-3/8" hole, side spray in 1-3/8" hole

CODE/STANDARDS COMPLIANCE

ASME A112.18.1-2005

IAPMO Listed

WARRANTY

Blanco America's Kitchen faucets feature a "NO HASSLE" LIMITED LIFETIME WARRANTY to be free of all manufacturing defects under normal use. See our complete warranty for details.

While Blanco America endeavors to provide accurate information, all dimensions are nominal, cannot be guaranteed, and are subject to change or cancellation. Blanco America assumes no responsibility for use of superseded or voided specifications.

PRODUCT SPECIFICATION

Kitchen faucet to include solid brass body, single lever handle, solid brass side spray and swivel spout. Faucet dimensions to be as follows: Reach: 9"; Spout Height: 9-3/4". Reversible mounting hardware to adapt to thick or thin mounting surfaces. Kitchen faucet to be BLANCOPODOS™ with side spray, Model 157-042-_____ in _____ finish.

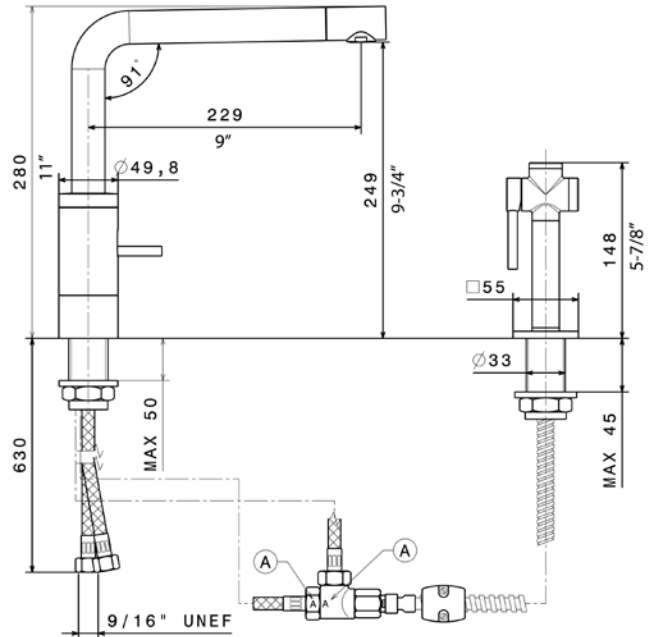
- Polished Chrome 157-042-CR
- Stainless (Satin Nickel) 157-042-ST



MODEL 157-042

NOMINAL DIMENSIONS

MODEL	REACH	SPOUT HEIGHT	FAUCET HEIGHT
157-042	9	9-3/4	11



See next page for exploded parts drawing and parts list.

JOB INFORMATION

Job Name: _____

Contact: _____

Date Specified: _____

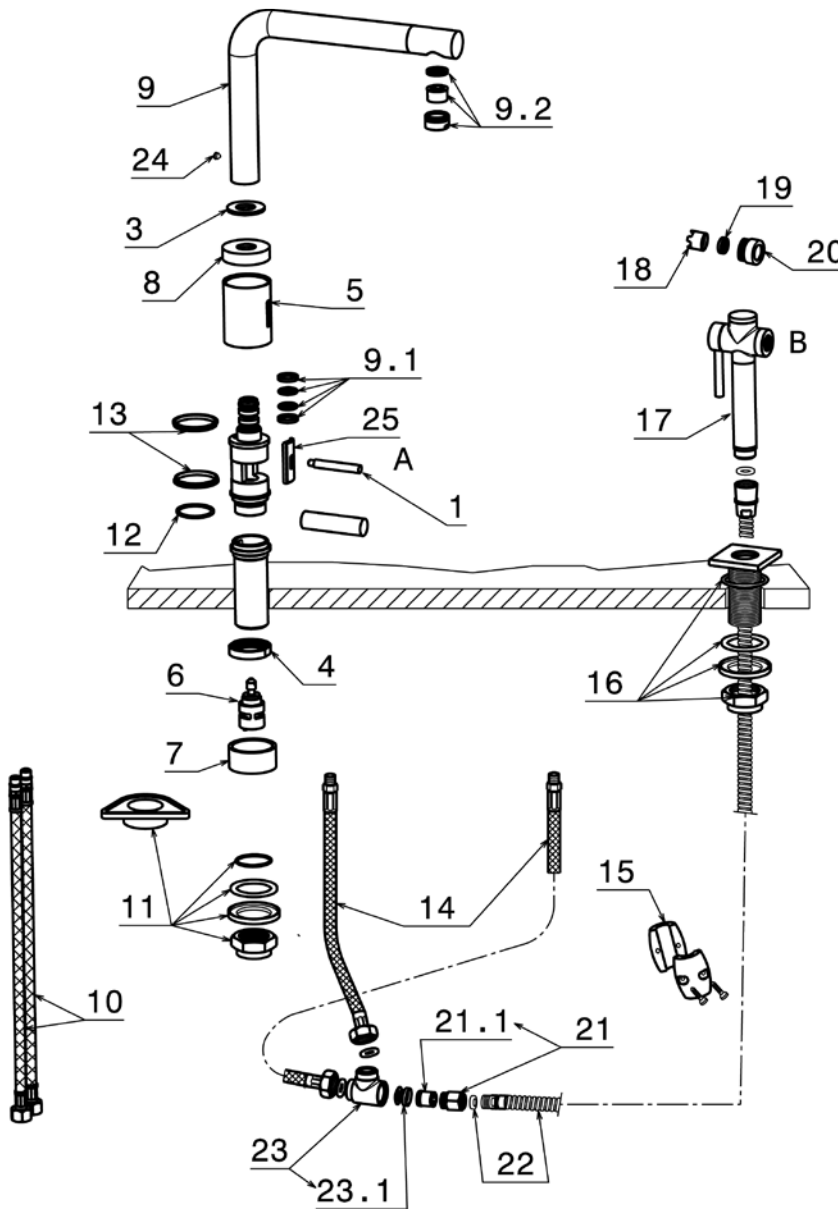
Specifier: _____

Contractor: _____

BLANCO AMERICA
800.451.5782
www.blancoamerica.com

BLANCOPODOS™ With Side Spray

MODEL 157-042



NUM.	DESCRIPTION	DOC. PART #
1	LEVER	11879
3	RING	11872
4	NUT	11877
5	BUSH	11874
6	CARTRIDGE	11554
7	BODY SUPPORT	11878
8	CLOSER RING	11873
9	SPOUT	11898
9.1	PLASTIC RING	18051
9.2	AERATOR	89
10	HOSE	15005
11	MOUNTING SET	12324
12	O-RING	10960
13	PLASTIC RING	19416
14	HOSE	15003
15	WEIGHT	10618
16	MOUNTING SET	12050
17	SIDE SPRAY	18316
18	SIDE SPRAY DISK	15311
19	PERFORATED DISK	18307
20	NUT	15312
21	CONNECTION VALVE	15753
21.1	VALVE	15701
22	HOSE CONNECTION	15101
23	T CONNECTION	16282
23.1	DIVERTER	15304
24	SCREW	10459
25	BUSH	11880