

PYLE[®] PLCDUSMP74

OWNER'S MANUAL

C A R A U D I O S Y S T E M

A M / F M T U N E R C D / M P 3 P L A Y E R

Contents

Safety precautions.....2

Wiring diagram3

Radio wiring
Speaker wiring

Installation4

Install the unit
Removing the unit

General features.....5

Power
Volume
Eject
Release
Mode
Loud
Clock
EQ

Speaker setting.....7

Volume setting
Bass setting
Treble setting
Balance setting
Fader setting

Play operation.....8

Seek
Play/Pause
Scan
Repeat
Shuffle

USB/AUX IN operation.....9

USB PLAYER
AUX IN

Radio operation.....10

Band
Loc
Tune
St

Remote control.....11

Loading and Replacing the battery
Basic operation

Accessories12

Specifications13

Trouble shooting14

Safety precautions

▲ WARNING

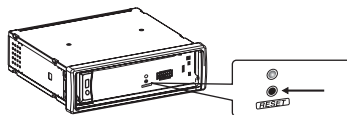
To prevent injury or fire, take the following precautions:

- Insert the unit until it is firmly locked to the main unit, otherwise it may fall out of place when jolted
- When extending the ignition, memory back up or ground cable, use diameter of 0.75mm(AWG18) or more automotive grade cable to avoid wire deterioration or damage to the wire coating.
- To prevent short circuit, never put or leave any metallic object into the unit.
- If you smell or see smoke, turn off the power immediately and consult your dealer.
- Be careful not to drop or shock the unit strongly, it may break or crack because it contain glass parts.

▲ CAUTION

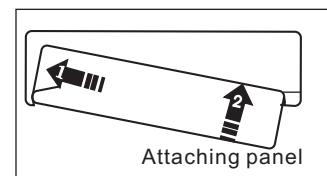
To prevent damage to the machine, take the following precautions:

- Be sure the unit is connected to a 12V DC power with a Negative Ground
- The unit is only designed for use with 4 speakers. Do not combine output for use with 2 speakers. Do not ground negative speaker leads to the chassis ground
- Do not open the top cover and do not install the unit in place where it is exposed to direct sunlight (including the faceplate), in order to avoid high heat or humidity, water splash over it or dust.
- Do not touch the terminals of the units.
- If you have difficulty in installing this unit in your vehicle. Please contact your dealer.
- If the unit seems not work in properly press the reset button to reset the memory of the unit.



Attaching panel

Attach the front panel by fixing the right side of it into this unit as 1 showing. Then push the left side of panel towards into connecting plug as 2 showing.



Wiring diagram

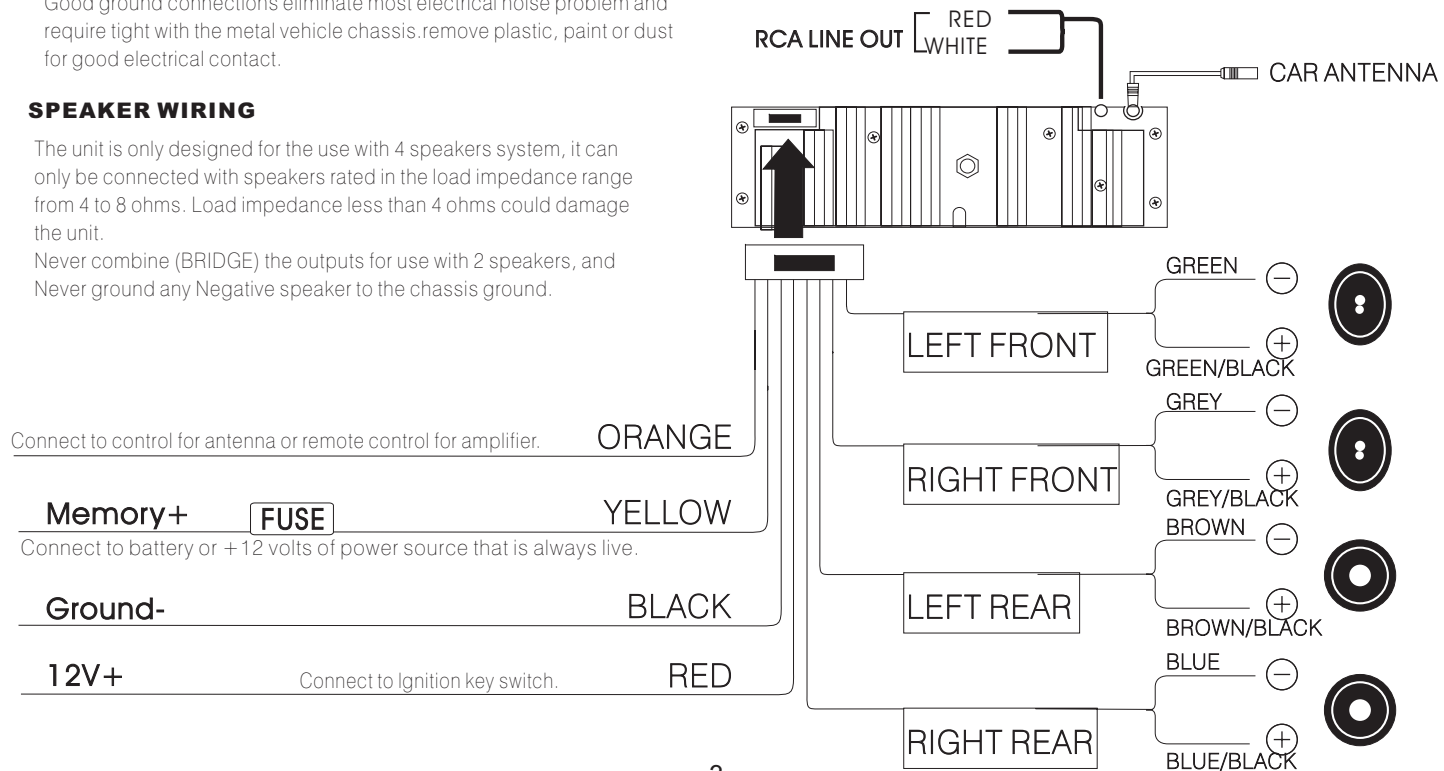
Follow this easy wiring diagram in order to enable you to install the new or existing RADIO and SPEAKER wiring system.

Be sure the unit is connected to a 12 volts battery with negative ground. Good ground connections eliminate most electrical noise problem and require tight with the metal vehicle chassis. remove plastic, paint or dust for good electrical contact.

SPEAKER WIRING

The unit is only designed for the use with 4 speakers system, it can only be connected with speakers rated in the load impedance range from 4 to 8 ohms. Load impedance less than 4 ohms could damage the unit.

Never combine (BRIDGE) the outputs for use with 2 speakers, and Never ground any Negative speaker to the chassis ground.



Installation

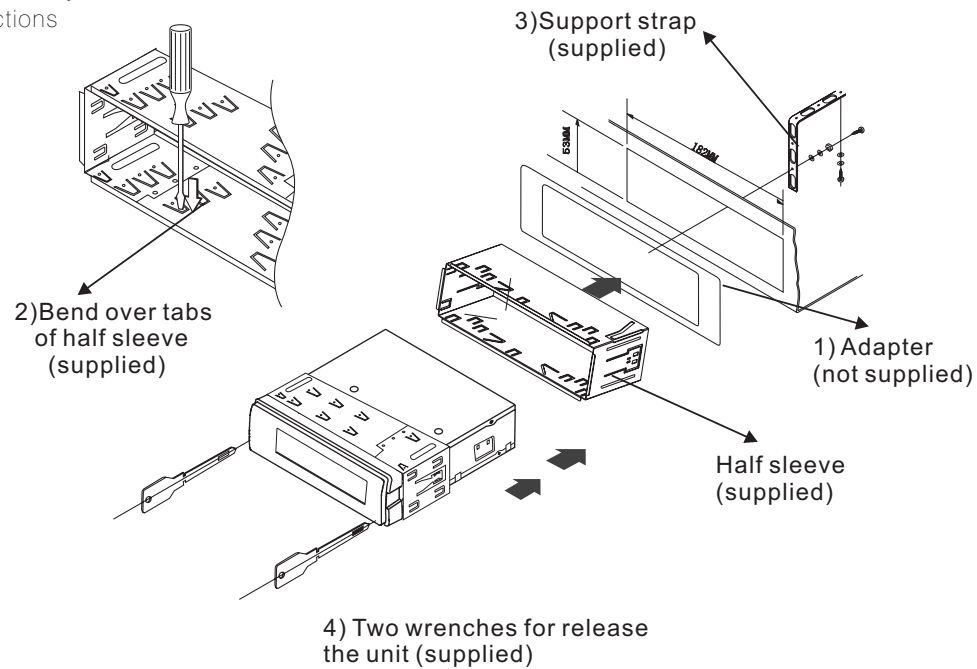
Before installing the receiver permanently, fit it in the approximate place in your car. Connect the equipment according to the speakers and electrical connections. When your system is operated properly, (preferably with the car engine running), follow the instructions for permanent installation of your system.

INSTALL THE UNIT

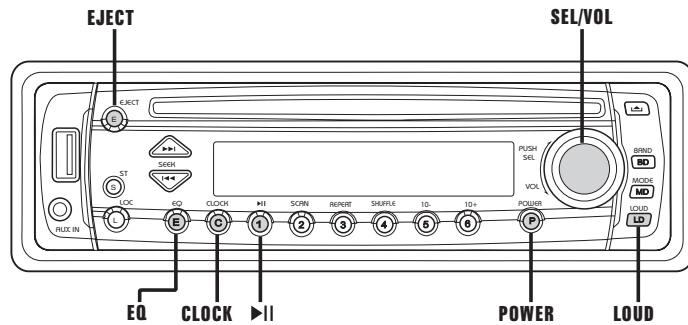
- 1) Install half sleeve, can be with or without adapter. It will fit better with adapter.
- 2) Bend over some tabs where possible to secure the half sleeve inside of dash.
- 3) Support strap to be strapped under dash, secure this strip to avoid skipping of disc.

REMOVING THE UNIT

- 1) Insert removal wrench into the small gap on the right side of the unit and pull the unit slightly out on the same side, then release the wrench. Repeat the same action for the left side. By now, you can remove the unit and unplug the wires connector.



Power/volume/eject/release



LCD display

Power

Turning ON the power

Press the [PWR]button.

Press [power] button to turn on/off the unit.

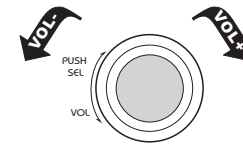
Volume/Push sel

Increasing volume

Rotate the [VOL+]button

Decreasing

Rotate the [VOL-]button



Eject

Out

Press the [EJECT]button to eject the disc out of the unit .



Release

press the " " button to release faceplate. To install it again, please do it left side first, then right.

Mode/EQ3/clock/loud

MODE

When CD disc in unit ,press [MODE],it will switch between:

BAND → CD → USB → AUX IN → BAND

No CD disc in ,press [MODE],it will switch between:

BAND → USB → AUX IN → BAND

LOUD

LOUD

press the [LOUD]button to add bass output, and press it again to cancel it.

Clock

Short press CLK can display time even when in power off mode.

Long Press CLK for 3 seconds will enter set mode.

Hour

Rotate [VOL +/-]button to adjust the hour.

Minute

Press [SEL] then Rotate [VOL +/-] button to adjust the minute.

Quit clock set mode

If there is no operation in 5 seconds, it will quit clock set mode.

EQ

EQ setup

Press “EQ” button once to enter “ROCK” volume,LCD shows “EQ ” and “ROCK” on.

Press twice to enter “POP” volume ,LCD shows “EQ ” and “POP” on.

Press third to enter “CLASSIC” volume ,LCD shows “EQ ” and “CLASSIC” on.

Press fourth to enter “FLAT” volume ,LCD only shows “EQ ” on. Press the button again to resume the normal listening.

SPEAKER SETTING

Speaker mode



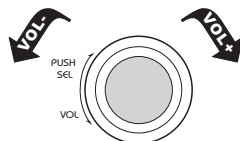
▲ NOTE

In press mode, VOL is sel function

● Volume set mode

Press “SEL” button once, display shows “VOL”, then rotate the volume “+” button to adjust volume level up. Rotate the volume “-” button to adjust volume level down.

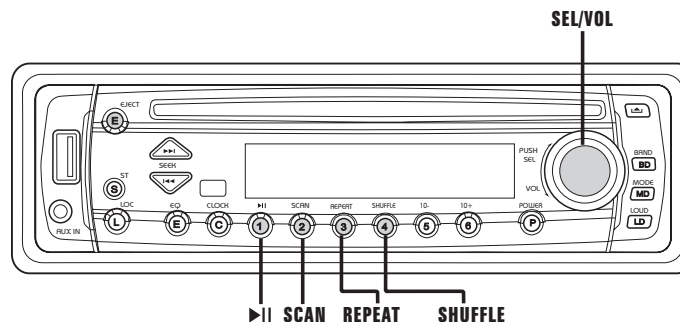
VOL 10



● Bass set mode

Press “SEL” button twice, display shows “BAS”, then rotate the volume “+” button to adjust bass level up. Rotate the volume “-” button to adjust bass level down.

BAS -6



● Treble set mode

Press “SEL” button third, display shows “TRE”, then rotate the volume “+” button to adjust treble level up. Rotate the volume “-” button to adjust treble level down.

TRE 5

● **Balance set mode** Press “SEL” button fourth display shows “BAL”, then rotate the volume “+” button to adjust right speaks level. Rotate the volume “-” button to adjust left speaks level.

BAL 4

● Fader set mode

Press “SEL” button fifth, display shows “FAD”, then rotate the volume “+” button to adjust rear speaks level. Rotate the volume “-” button to adjust front speaks level.

FAD -3

PLAY OPERATION

▶▶ / ◀◀

If CD in unit, press [▶▶ / ◀◀] to select tracks, and long press to fast advance and back.

Play/pause

Pause


If with DISC in unit, Press the [▶||] to pause music.

Play

Press the [▶||] button again, then come back to DISC playing.


Scan

Press [SCN]button

 Press this button once for TRACK INTRODUCTION. The first 10 seconds of each track on the disc will play. And the track number shows on LCD. To select a desired song, press [SCN]button while it is playing.


Repeat

Press [RPT]button

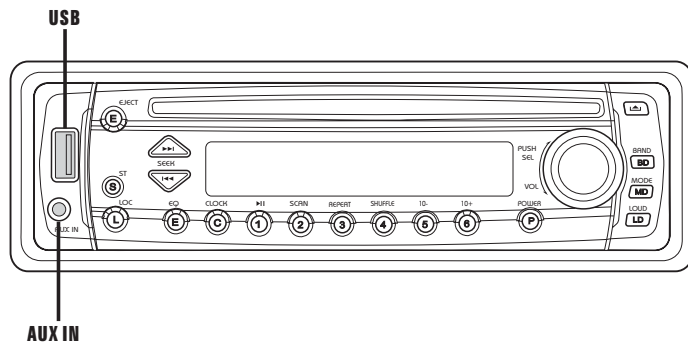
 REPEAT
Press [REPEAT] button first to repeat the playing track continuously.
Press second to repeat the whole disc.
Press third back to normal playing.

Shuffle

Press [SHUFFLE]button

 Press [SHUFFLE] button to play all the track in random order. SHF and playing song number will appear on the LCD. Press [SHUFFLE] again will stop random playing.

USB OPERATION/AUX IN OPERATION



USB player

- Plug USB, then press [MODE] to transfer to USB play.
- ▶▶, ◀◀ select:
Under USB play, press ▶▶, ◀◀ can select tracks,
- REPEAT:
Press [REPEAT] button first to repeat the playing track continuously.
Press second to repeat the whole disc.
Press third back to normal playing.
- PLAY/PAUSE: press PLAY/PAUSE button to play or pause.

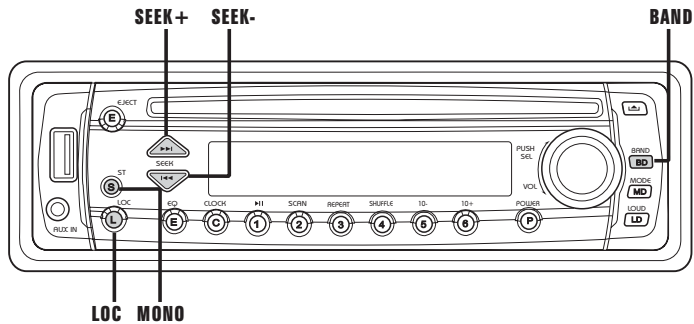
- 10-, 10+ :
under USB playing, press 10-, 10+ can make selection from No. 10 tracks, for example: if you want select No. 15 song, press 10+ to skip to No. 10, and then press ▶▶ to select No. 5 from No. 10

Note: Under USB playing station, cannot put in or out CD DISC.

AUX in

- Insert AUX in, then press [MODE] to transfer to AUX IN play.
Rotate VOL to volume adjustment.

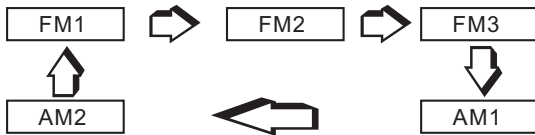
RADIO OPERATION



Band

Selecting band

Press BAND button to select among three FM or two AM bands. (FM1-FM2-FM3-AM1-AM2)



Tune

In radio mode: manual tuning:

short press ►► button it can select higher frequency station.
Short press ◄◄ can select lower frequency station.

Auto loading tuning:

the long press ►► button it can automatically select higher frequency station. And long press ◄◄ can automatically select lower frequency station.

ST

In FM band mode,press the “ST” key.
Each time you press the key,you switch between “MONO” position and stereo position.

if the unit has received stereo signal in FM band in stereo position.
The LCD indicate ST

Loc

In radio mode,press this button to switch between LOC/DX functions and “LOC” shown on the display indicates that LOC function is on.

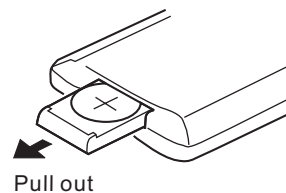
- LOC is local frequency receipt
- DX is distance frequency receipt

Remote control



Loading and replacing the battery

Use one lithium battery(CR2025) insert the batteries with the +and - poles aligned properly. Following the illustration inside the case.



⚠ WARNING

Store unused batteries out of the reach of children. Contact a doctor immediately if the battery is accidentally swallowed.



Do not set the remote on hot places such as above the dashboard.

Basic operation

Turning ON the power

Press the [⏻]button.



Press to turn on the unit power,Press the button to turn off the unit.

Basic operations of remote

Volume

Increasing volume

Turn the [+] knob clockwise.

Decreasing volume

Turn the [-] knob counter clockwise

Play/pause

Play

Press the [▶] button

Pause

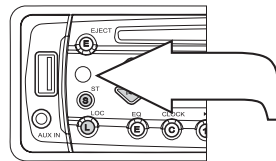
Press again the [▶] button

Other function

Please refer to panel.

CAUTION

Remote operation the same of mainframe.








Window of Remote

Accessories






External view

..... Number of items

- | | | |
|---|--|--------|
| ① |  |1 |
| ② |  |1 |
| ③ |  |1 |
| ④ |  |1 |
| ⑤ |  |1 |

External view

..... Number of items

- | | | |
|---|--|--------|
| ⑥ |  |1 |
| ⑦ |  |2 |
| ⑧ |  |2 |
| ⑨ |  |1 |
| ⑩ |  |2 |



The use of any accessories except of those provided might result in damage to the unit .Make sure only to use the accessories shipped with the unit ,as shown above.

Specifications

Specifications subject to change without notice.

CD PLAYER

Signal/Noise ratio.....70dB
Frequency response.....20Hz-20KHz(+3dB)
Channel separation.....> 45dB
Dual D/A converter.....16Bit

FM Tuner

Tuning range.....USA:87.5-107.9MHz
(100KHz step)
EUROPE:87.5-108.0MHz
(50KHz step)
FM usable sensitivity(S/N=30dB).....< 12dB
Stereo separation.....> 45dB

AM Tuner

Tuning range.....USA:530-1710KHz
(10KHz step)
EUROPE:522-1620KHz
(9KHz step)
AM sensitivity.....28dB

GENERAL


Operating power.....12 Volts DC,negative
ground
%10THD output wiring.....Designed for using four
speakers only front and rear
channels cannot be combined
in use with 2speakers.
Load impedance.....compatible 4 to 8 ohm
speakers
Fuses.....1amp and 10 amp
Dimensions.....178mm(L)x50mm(W)
x150mm(H)
Weight.....2.5Kgs

Troubleshooting guide

What might seem to be a malfunction in your unit may just be the result of slight misoperation or miswiring. Before calling service, first check the following table for possible problems.

?The power does not turn ON.

- ✓ The fuse has blown.

 After checking for short circuits in the wires, replace the fuse with one with the same rating.


?NO Sound.

- ✓ The cable connect incorrectness.

 Exactitude connect of the cable.


?Noise on Radiopoor recepiton

- ✓ Antenna and Antenna Cable.

 Check antenna and antenna cable, the antenna base must be grounded and connected with good condition, repace antenna or antenna cable if needed.


?Noise on both Radio and CD

- ✓ Poor ground, dirty or corroded at the car Battery posts

 Check the black wire for proper grounding clean and tighten ground connection.


?No/Poor sound on one or more speakers

- ✓ Speakers or speaker wiring or volume, Balance and Fader setting

 Check the speaker wiring and test the speakers all in good condition check the setting of volume, Balance and Fader controls.


?CD sound skips

- ✓ Installation the unit angle is greater than 45° ,or mounting is not fixed and the back strap is not secure.

 Adjust the unit with mounting angle less than 45° and make sure the unit is mounted securely and tighten with the back strap (supplied)

?Unit completely inoperative, no Light and Sound

- ✓ Incorrect wire connection, Power RED/YELLOW or Ground wire or Blown fuse

 Check the Red wire to +12 Volts with key Ignition witch, yellow wire to +12 Volts battery and black wire to ground. Check Fuse with red/yellow wire, or check the fuse block on your car.



C a r A u d i o H i f i S y s t e m

CD/MP3/USB

A M / F M T U N E R