

**ZANUSSI**

---

**Instructions  
for the use and care  
of Z1175 TPR  
refrigerator**

---

# Installation

## Foreword

If you are discarding an old refrigerator that has a lock on the door, please ensure that the lock is made unusable to avoid accidents to young children.

## Electricity Supply

The appliance is for operation on a 220/240 V. 50 Hz supply, so be sure that your electricity supply voltage is within the range marked on the nameplate located inside the cabinet.

## Earthing

**WARNING: this appliance must be earthed.** The manufacturer declines any liability should this safety measure not be observed.

If the plug that is fitted to your appliance is not suitable for your socket outlet, it must be cut off and the appropriate plug fitted. The cut off plug should be disposed of to prevent the hazard of electric shocks in case it should be plugged into a 13 Amp socket in another part of your home.

## Electrical connection

**IMPORTANT:** The wires in this mains lead are coloured in accordance with the following code:

**GREEN AND YELLOW - EARTH**  
**BLUE - NEUTRAL**  
**BROWN - LIVE**

If you fit your own plug, the colours of the wires in the mains lead of your appliance may not correspond with the markings identifying the terminals in your plug, this is what you have to do:

Connect the green and yellow (earth) wire to the terminal in the plug which is marked with the letter "E" or the earth symbol  $\perp$ , or coloured green, or green and yellow.

Connect the blue (neutral) wire to the terminal in the plug which is marked with the letter "N" or coloured black.

Connect the brown (live) wire to the terminal which is marked with the letter "L" or coloured red.

The plug moulded on to the cord incorporates a fuse. For replacement use a 13 Amp BS 1362 fuse. Only ASTA approved fuses should be used.

The fuse cover/carrier must be replaced in the event of changing fuse.

The right fuse cover/carrier colour is the one shown by the coloured insert at the base of the plug.

The plug must not be used if the fuse cover/carrier is lost.

A replacement cover/carrier must be obtained from Zanussi Service Agents whose addresses are listed on the attached "Zanussi Service and Spares Nationwide".

**This appliance complies with E.E.C. directive no. 76/889 of 4.11.76 relative to radio interference suppression.**

Some models have the main terminal board of the type shown in fig.1.

To gain access to the terminals of the supply cable, remove the lid from the terminal board by releasing the two catches "A" and "B" Fig.1 with the aid of a small blade screwdriver.

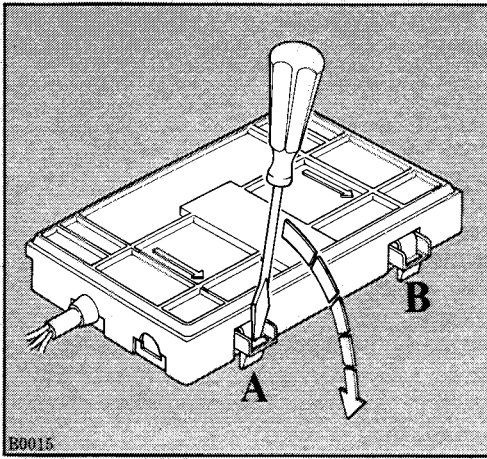


Fig. 1

## Location and levelling

Place the appliance away from heat sources and in such a way that air can circulate freely to the back and around the top of the cabinet.

Level by adjusting the special levelling feet on the bottom of the cabinet.

## Before using

Remove all securing tapes. Wash inside the appliance with lukewarm water and a little bicarbonate of soda (one teaspoonful to one quart of water).

Do not use soap or detergent as the smell might linger. Dry thoroughly.

# Operation

## Refrigerator - Starting-up -Temperature Regulation

Insert the plug into the wall socket. Open the refrigerator door and turn the thermostat knob, to be found on the upper right side of the inner liner, clockwise beyond the "0" position (stop) to start the appliance.

Temperature adjustment is obtained by turning the thermostat knob to the required setting. A medium setting is generally the most suitable.

However, the thermostat knob setting should be adjusted depending on the inner temperature of the refrigerator, which in turn depends on a number of factors, such as the ambient temperature, the number of times the door is opened, the quantity of food stored and the location of the appliance.

Turn the knob clockwise to higher numbers to obtain a lower temperature or anticlockwise if a less cold temperature is required.

## Fresh food refrigeration

To obtain the best performance, do not store warm food or evaporating liquids in the refrigerator, do cover or wrap the food, particularly if it has a strong flavour;

do not cover the shelves with any protective material, such as paper, cardboard or plastic, which may obstruct the air circulation through them.

To help you use your refrigerator correctly, here are some useful hints:

Raw meat (beef, pork, lamb & wild fowl): wrap in polythene bags and place on top of the salad crisper.

Meat can only be stored safely in this way for one or two days at the most.

Cooked food, cold cuts, jelly, etc.: these should be well covered and can be stored on anyone of the shelves.

Fruit & vegetables: these should be thoroughly cleaned and placed in the bottom drawer.

Butter & cheese: these should be placed in special airtight containers or wrapped in aluminium foil or polythene bags to exclude as much air as possible.

Milk bottles: these should have a cap and should be stored in the bottle rack on the door.

## Defrosting

Frost is automatically eliminated from the evaporator of the refrigerator compartment every time the motor compressor stops.

The defrost water drains out through a trough into a special container on the back of the appliance where it evaporates.

# Maintenance

Prior to undertaking any maintenance operation, be sure to unplug the appliance from the wall socket as a safety precaution.

Clean out the interior periodically with lukewarm water and some bicarbonate of soda, the cabinet exterior with a Silicone wax spray, the condenser and the motor compressor with a brush or a vacuum cleaner. Clean the drain hole of the defrost water through at regular intervals and make sure that this strain hole is never obstructed, so that the defrost water may flow out freely.

During periods when the appliance is not in use, take the following precautions:

unplug the refrigerator from the power supply;

remove all foodstuffs from the refrigerator;

clean the interior and all accessories;

leave the door ajar to facilitate the circulation of air in the interior of the cabinet so as to prevent unpleasant odours from lingering in the appliance.

# Servicing

Should service be required for this appliance, contact your local Service Agent but before requesting service the following simple checks may save you inconvenience and expense:

If there are water drops on the bottom of the fridge compartment, check that the defrost water drain opening is not obstructed.

Check that the plug is firmly in the wall socket;

Check that there is an electricity supply to the socket by plugging in another appliance;

Turn the thermostat knob to the coldest setting;

If the motor still does not run, contact your Service Agent.

# Door reversal & panelling directions (Fig. 2)

## Door reversal directions

Before carrying out the operations described below, pull out the mains plug from the wall socket.

Proceed as follows:

- a) Remove bottom hinge 4;
- b) Remove door 8;
- c) Remove pivot 3 from the top hinge and refit it in the corresponding hole on the opposite side;
- d) Refit the door and the bottom hinge;
- e) Remove handle 6 and refit it on the opposite side;
- f) Unscrew foot 5 and base "b", then refit these two parts on the opposite side.

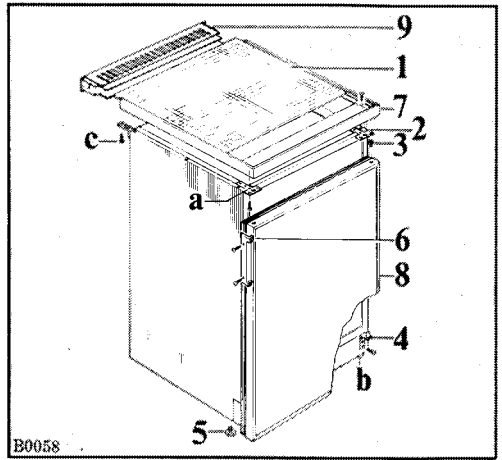


Fig. 2

## Panelling the door

- a) Take off the removable side of the door frame;
- b) Loosen, without removing them, all remaining screws securing the door frame;
- c) Slide in the decor panel from the frameless side, then fasten again the frame to the door including the previously removed frame section.

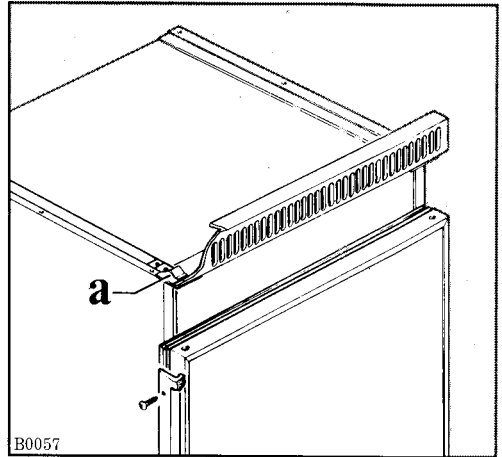


Fig. 3

## Note

The overall dimensions of the decor panel should be 1 ÷ 2 mm smaller than those of the door, and the thickness should not exceed 4 mm.

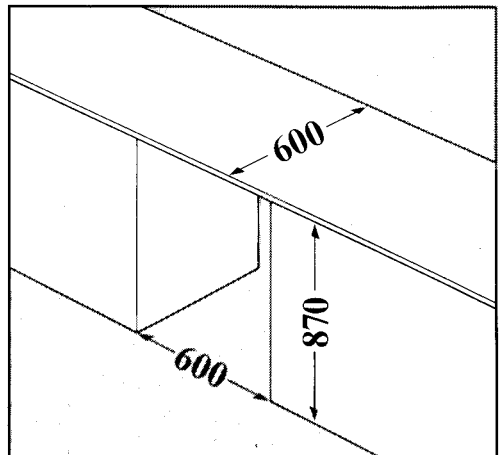


Fig. 4

## **Aligning the worktop with the kitchen furniture**

The appliance is delivered with the worktop fixed flush with the door.

If a different alignment is required, proceed as follows (Fig. 2):

- a) Unscrew the screws securing the rear brackets "c" to the worktop;
- b) Remove wall spacer 9 (which is push-fitted) by grasping it at both ends and pulling it out;
- c) Slide out worktop panel 1;
- d) Remove the screws securing worktop frame 7 to the cabinet and, after making the new alignment, fasten again the worktop frame by screwing down the previously removed screws;
- e) Refit worktop panel 1 and wall spacer 9.
- f) Refit the screws securing the rear brackets "c" to the worktop.

## **Installing the appliance under a kitchen counter**

This appliance can also be installed under a kitchen counter; to prepare it for this purpose, proceed as follows:

- a) Unscrew the screws securing the rear brackets "c" to the worktop;
- b) Remove wall spacer 9;
- c) Slide out worktop panel 1;
- d) Unscrew the screws securing hinge 7 to the cabinet and remove the frame.
- e) Remove foot "b" and replace it with the adjustable one contained in the plastic bag together with these instructions. In case of difficulties in building in it is also possible to further reduce the cabinet height by removing the two plastic plugs on the rear bottom of cabinet.

## **Building the appliance into a kitchen unit recess**

Supplied with the appliance is a kit including a front venting grille, two guides and two self-tapping screws. Fit the two guides as shown in fig.3 "a" on the upper two hinges; to do this, remove the front screw from these two hinges by replacing the previously removed screws with the ones supplied with the kit; install the front venting grille and insert the appliance into the kitchen unit recess.

## **Characteristics of the recess**

The characteristics and the dimensions of the kitchen unit recess, into which the appliance is to be built-in, are shown in fig.4.

### **Important**

To guarantee a correct operation of the appliance built into the kitchen unit, make sure that the venting grille is always unobstructed in order to ensure an adequate circulation of air which is required to properly cool the compressor and the condenser.

---

## ZANUSSI GUARANTEE CONDITIONS

This guarantee is in addition to your statutory and other legal rights which will not be excluded or in any way diminished by the return of the enclosed card.

We, IAZ International (UK) Ltd, guarantee that if within twelve months of the date of the purchase, this ZANUSSI appliance or any part thereof is proved to be defective by reason only of faulty workmanship or materials we will at our option repair or replace the same **FREE OF ANY CHARGE** for labour, materials or carriage on condition that:

- The appliance has been correctly installed and used only on the electricity supply stated on rating plate.
- The appliance has been used for normal domestic purposes and in accordance with the manufacturer's operating and maintenance instructions.
- The appliance has not been serviced, maintained, repaired, taken apart or tampered with by any person not authorised by us.

- The appliance is still in the possession of the original purchaser.
- Any appliance or defective part replaced shall become our property.

This guarantee does not cover any damage caused during transportation or the replacement of any light bulbs or removable parts of glass or plastic.

Should you require service on your Zanussi appliance consult the enclosed list for your nearest Zanussi network centre. If the product is under first year guarantee then you will be required to produce proof of date of purchase to the engineer.

If it is under 5 year cover then you must show your cover card to the engineer.

Please ensure that the enclosed pre-addressed card is stamped, completed in full and forwarded to IAZ International (UK) Ltd, to enable the guarantee to be recorded. Also complete the space below as your own record of the guarantee.

---

## GUARANTEE RECORD

Appliance purchased from \_\_\_\_\_ on \_\_\_\_\_

Guarantee card no \_\_\_\_\_ Model no \_\_\_\_\_

Serial no \_\_\_\_\_ (These details may be taken from your Guarantee Record Card)

Your name \_\_\_\_\_

Address \_\_\_\_\_

---