

Service Manual

Car Audio

CUSTOM-MADE FOR HONDA

RM-1200/RD-1201/RD-1202/RD-1203
RD-1205/RD-1206/RD-1207

RM-1200

FM-AM-FM STEREO
CASSETTE DECK TUNER AMPLIFIER

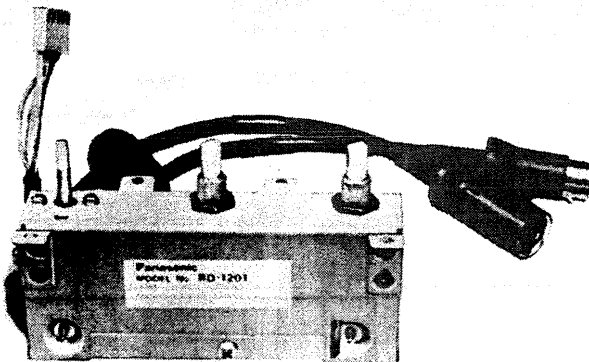
- Please use this manual together with the service manual for model No. RM-1100, order No. RD83072080C1.
- This Service Manual indicates the main differences between; Original RM-1100 and RM1200.

CHANGES

■ PARTS COMPARISON TABLE

Ref. No.	Description	Part Number		Remarks
		RM-1100	RM-1200	
K0	Button and Panel Ass'y	RYP3M1100NHD	RYP3M1200JHD	
K10	Button, Band, SENS etc.	RBC481Z	RBC638Z	
K11	Preset	RBC481Z1	RBC638Z1	
K14	Knob, Volume, INT COM	RBN651Y	RBN702Z	
K20	Name Plate	RGT1033Z	RGT1101Z	

RD-1201 AUTO VOLUME



■ SPECIFICATIONS

Power Source: DC 12 V (From RM-1200)
Test Voltage: DC 14 V
Power Consumption: 20 mA

Auto Volume Gain
Control: 8~20 dB
Input Speed Control: 0~240 km/H
Tone Control: +4 dB, -8 dB (10kHz)
Dimension: 108.5 (W)×25 (H)×44 (D)mm
Weight: 0.22 kg

Specifications are subject to change without notice.

Panasonic

Matsushita Engineering and Service Company
50 Meadowland Parkway,
Secaucus, New Jersey 07094

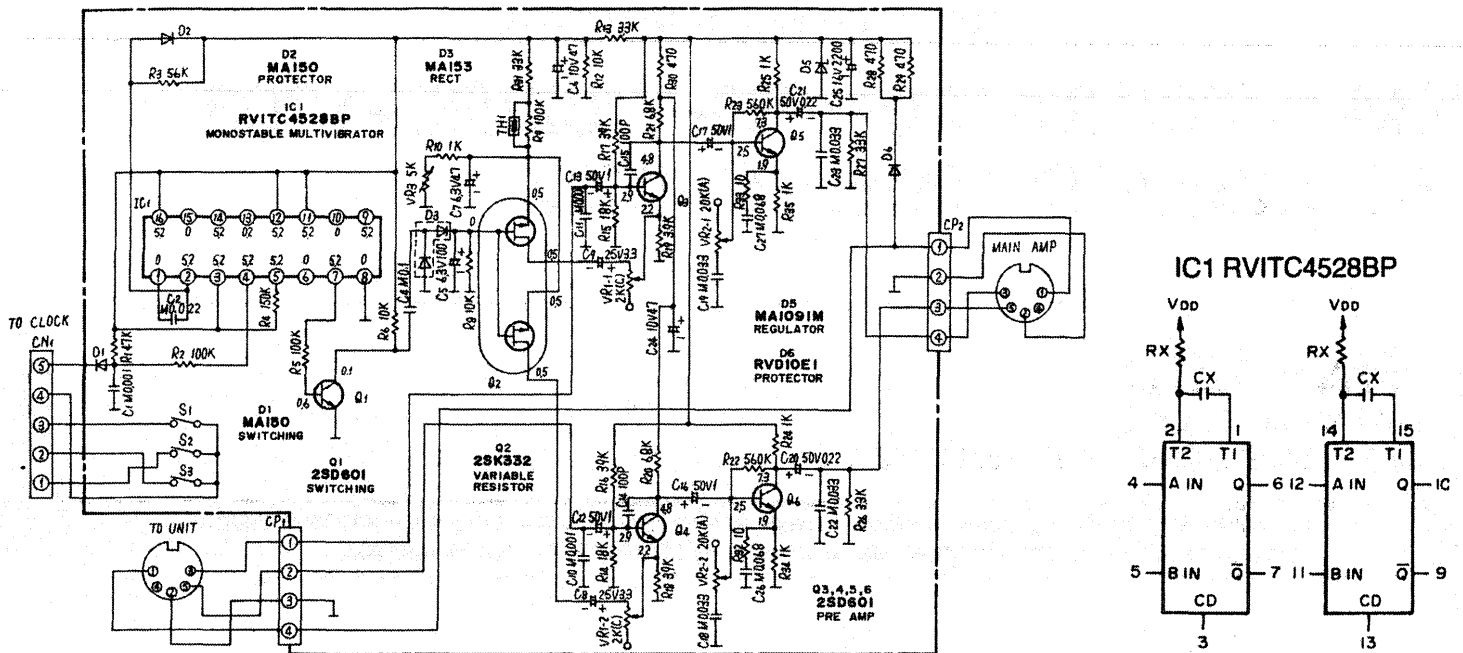
Panasonic Sales Company,
Division of Matsushita Electric of Puerto Rico, Inc.
Ave. 65 De Infanteria, KM 9.7
Victoria Industrial Park

Panasonic Hawaii Inc.
91-238 Kauhū St. Ewa Beach
P.O. Box 774
Honolulu, Hawaii 96808-0774

Matsushita Electric of Canada Limited
5770 Ambler Drive, Mississauga,
Ontario, L4W 2T3

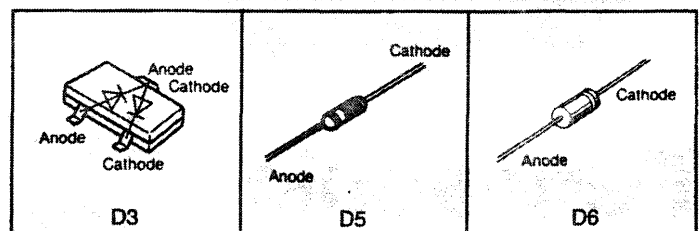
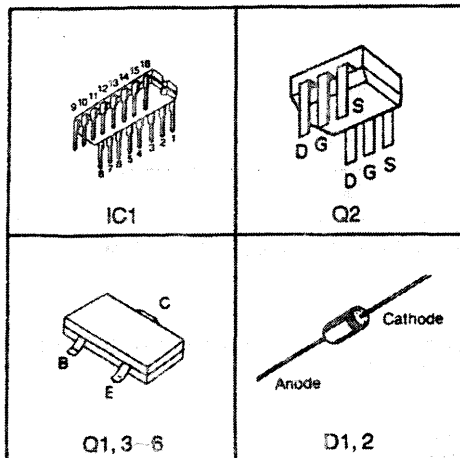
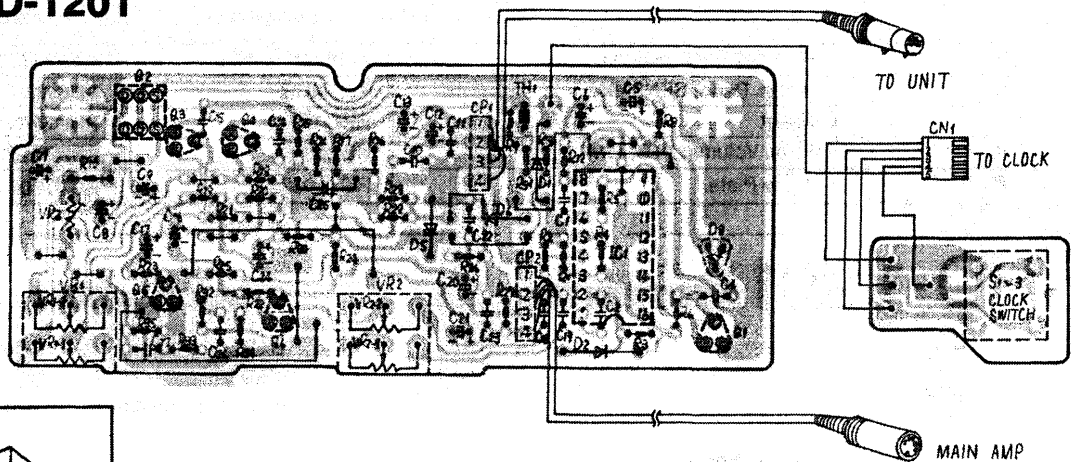
Matsushita Electric Trading Co., Ltd.
P.O. Box 288, Central Osaka Japan

SCHEMATIC DIAGRAM MODEL RD-1201



- Notes: 1. S1~S3: Clock Function Switch.
 2. DC Voltage measurements are taken with electronic voltmeter from negative voltage line.

CIRCUIT BOARD AND WIRING CONNECTION DIAGRAM MODEL RD-1201



ELECTRICAL PARTS LIST

Numbering System of Resistor

Example				
ERD	25	F	J	101
Type	Wattage	Shape	Tolerance	Value (1000)
ERX	2	AN	J	2R2
Type	Wattage	Shape	Tolerance	Value (2.2Ω)

Numbering System of Capacitor

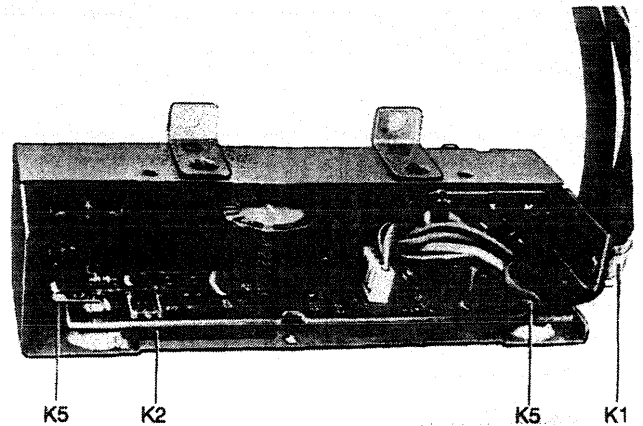
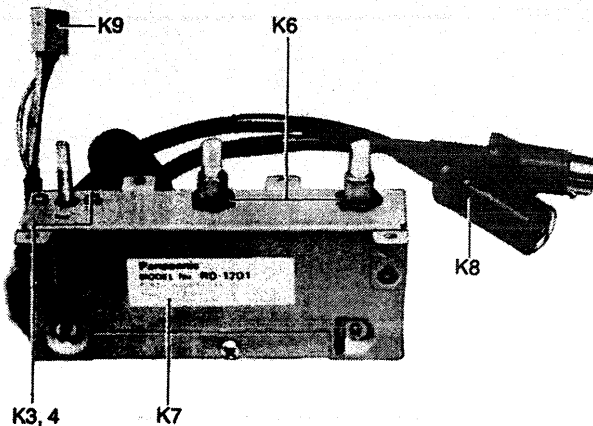
Example				
ECKD	1H	102	Z	F
Type	Voltage	Value (1000 pF)	Tolerance	Pecularity
ECEA	50	M	R47	
Type	Voltage	Pecularity	Value (0.47 μF)	

Resistor Type	Wattage	Tolerance
ERD: Carbon	10 1/8 W	J ±5%
ERO: Metal Film	12 1/2 W	
ERX: Metal Film	25 1/4 W	
ERQ: Fuse Type Metal	1 1 W	
RRD: Carbon (Chip Type)	18 1/8 W	

Capacitor Type	Voltage		Tolerance
	ECEA Type	Other	
ECEA: Electrolytic	0J : 6.3 V	2H : 500 V DC	C ±0.25 pF
ECCD: Ceramic	1A : 10 V	1 : 100 V	J ±5%
ECKD: Ceramic	1C : 16 V	DKC 400 V AC	K ±10%
ECOM: Polypropyester	1E : 25 V		Z +80% -20%
ECOP: Polypropylene	1H : 50 V		P -100% -0%
ECET: Electrolytic	1V : 35 V		
ECEA□□□N: Non Polar Electrolytic	50 : 50 V		
QCU □: Ceramic (Chip Type)	25 : 25 V		
ECUX: Ceramic (Chip Type)	16 : 16 V		

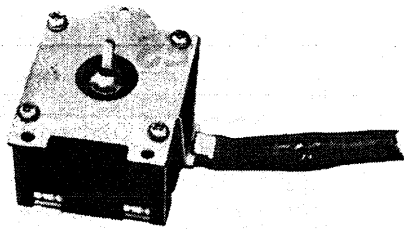
Ref. No.	Part. No.	Part Name & Description	Ref. No.	Part. No.	Ref. No.	Part. No.		
INTEGRATED CIRCUITS			RESISTORS			CAPACITORS		
IC1	RVITC4528BP	IC	R1	RRD18XJ473	C1	ECUX1H102MD		
TRANSISTORS			R2	RRD18XJ104	C2	ECUX1H223MD		
Q1,3,4,5,6	2SD601	Transistor (Si)	R3	RRD18XJ563	C4	ECUX1E104MD		
Q2	2SK332D	Transistor (Si)	R4	RRD18XJ154	C5	ECEA0JK101		
DIODES & RECTIFIERS			R5	RRD18XJ104	C6	ECEA1AK470		
D1,2	MA150	Diode (Si)	R6,8	RRD18XJ103	C7	ECEA0JK470		
D3	MA153	Diode (Si)	R9	RRD18XJ104	C8	ECEA1EK3R3		
D5	MA1091M	Diode (Si)	R10	ERD10TJ102	C9	ECEA1EK3R3		
D6	SM112	Diode (Si)	R12	RRD18XJ103	C10,11	ECUX1H102MD		
VARIABLE RESISTORS			R13	RRD18XJ332	C12,13,16,17	ECEA1HK010		
VR1	EVK07A333C23	Variable Resistor	R14,15	RRD18XJ183	C14,15	ECUX1H101K		
VR2	EVK93A333A24	Variable Resistor	R16,17	RRD18XJ393	C18,19,22,23	ECUX1E333MD		
VR3	EVNA6AA00B53	Variable Resistor	R18,19	RRD18XJ392	C20,21	ECEA1HKR22		
THERMISTOR			R20,21	RRD18XJ682	C24	ECEA1AK470		
TH1	RRT103	Thermistor	R22,23	RRD18XJ564	C25	ECEA1CSS222		
SWITCHE			R24,25	RRD18XJ102	C26,27	ECUX1E683MD		
S1,2,3	RSR2A09Z	Switch Clock	R26,27	RRD18XJ332				
			R28,29,30	RRD18XJ471				
			R31,32	RRD18XJ333				
			R32,33	RRD18XJ100				
			R34,35	RRD18XJ102				

CABINET PARTS LOCATION

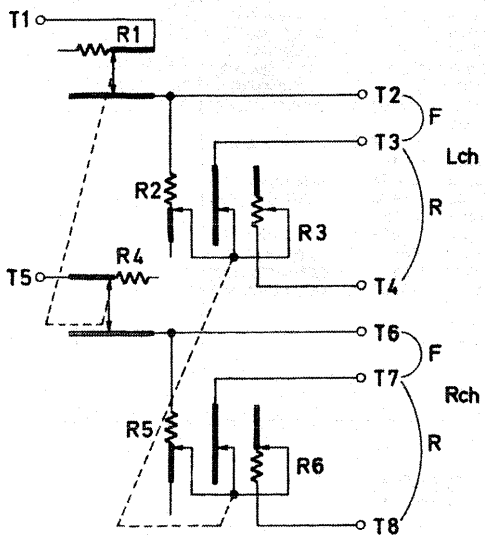


Ref. No.	Part. No.	Part Name & Description	Ref. No.	Part. No.	Part Name & Description
CABINET PARTS					
K1	RME360Z	Cord Clamper	K6	RHE7034Z	Nut, Volume M'tg
K2	RMX275Z	Insulator	K7	RGT1098Z	Name Plate
K3	XWA26B	Washer, Switch M'tg	K8	RJP0J3Z	Plug
K4	XSN26+4	Screw, Switch M'tg	K9	RJSSN1Z	Socket
K5	XTV3+6F	Screw, Circuit Board M'tg			

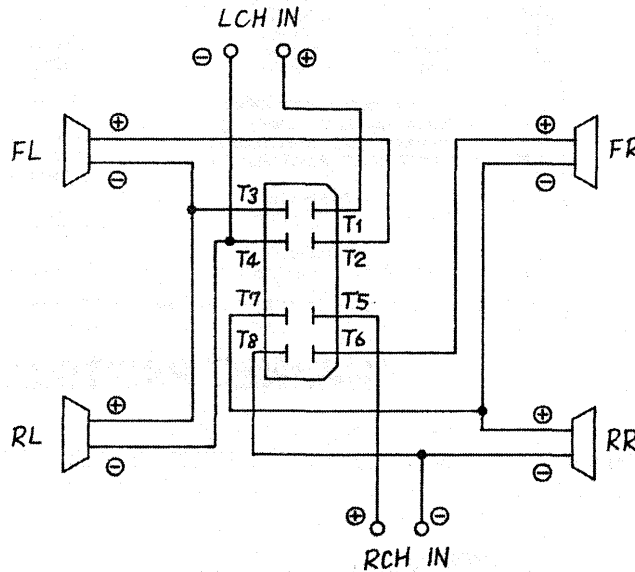
RD-1202 4-CHANNEL BALANCER



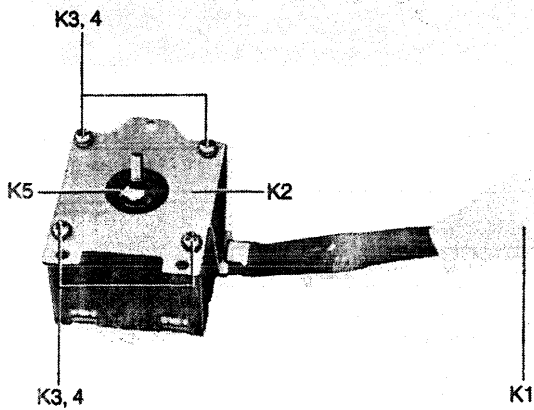
SCHEMATIC DIAGRAM



SOCKET CONNECTION



CABINET PARTS LOCATION



Ref. No.	Part. No.	Part Name & Description
CABINET PARTS		
K1	RJPOJ4Z	Plug
K2	RMR114Z	Bracket
K3	XSN3+8S	Screw, Bracket M'tg
K4	XWA3B	Washer, Bracket M'tg
K5	RVVJXF1080X6	Variable Resistor

RD-1203 POWER AMPLIFIER

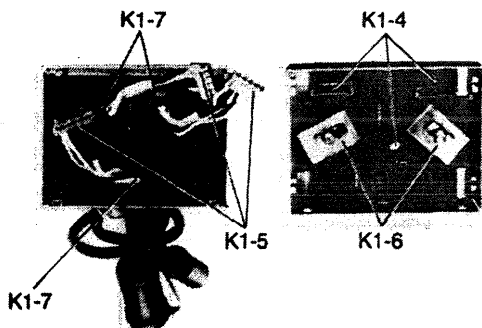
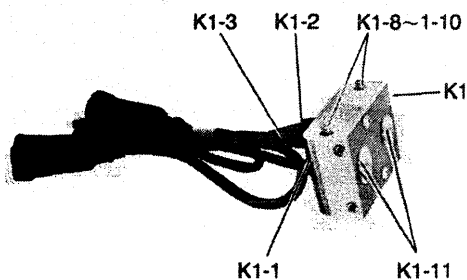
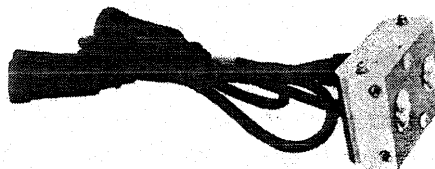
- Please use this manual together with the service manual for model No. RM-M1100, order No. RD8307208IC1.
- This Service Manual indicates the main differences between; Original RM-M1100 and RD-1203.

CHANGES

■ PARTS COMPARISON TABLE

Ref. No.	Description	Part Number		Remarks
		RM-M1100	RD-1203	
Q2	Transistor (Si)	2SD1061S	2SD1271P	
D1	Diode (Si)	RVDDS150A	RVDDSB15	
E1	Insulator	RMX246Z	—	Deleted
E7	Name Plate	RGT1034Z	RGT1100Z	
E8	Din Cord	RJPOF11Z	RJPOF11Y	
E9	Speaker Harness	RJPOF12Y	RJPOJ1Z	

RD-1205 JUNCTION BOX



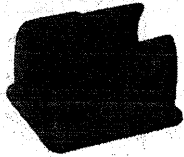
Ref. No.	Part No.	Part Name & Description
K1	RJE144Z	Junction Box
K1-1	RWR49210A20	Cord Ass'y, AM/FM Radio
K1-2	RWR49211A20	Cord Ass'y, Passenger
K1-3	RWR49212A20	Cord Ass'y, Driver
K1-4	RWR4023A20	Plug,
K1-5	RWR4001A20	Socket
K1-6	RWR6501A20	Speed Nut
K1-7	RWR6502A20	Stopper
K1-8	XSN3+5FN	Screw
K1-9	XWG3FN	Washer
K1-10	XWA3FN	Washer
K1-11	XSN4+6FN	Screw

RD-1206 JUNCTION CORD



Part Number
RJP0F19Z

RD-1207 CONNECTOR HOLDER



Part Number
RHG2044Z

HEADSET
SMALL END CORD HEADSET SIDE

