

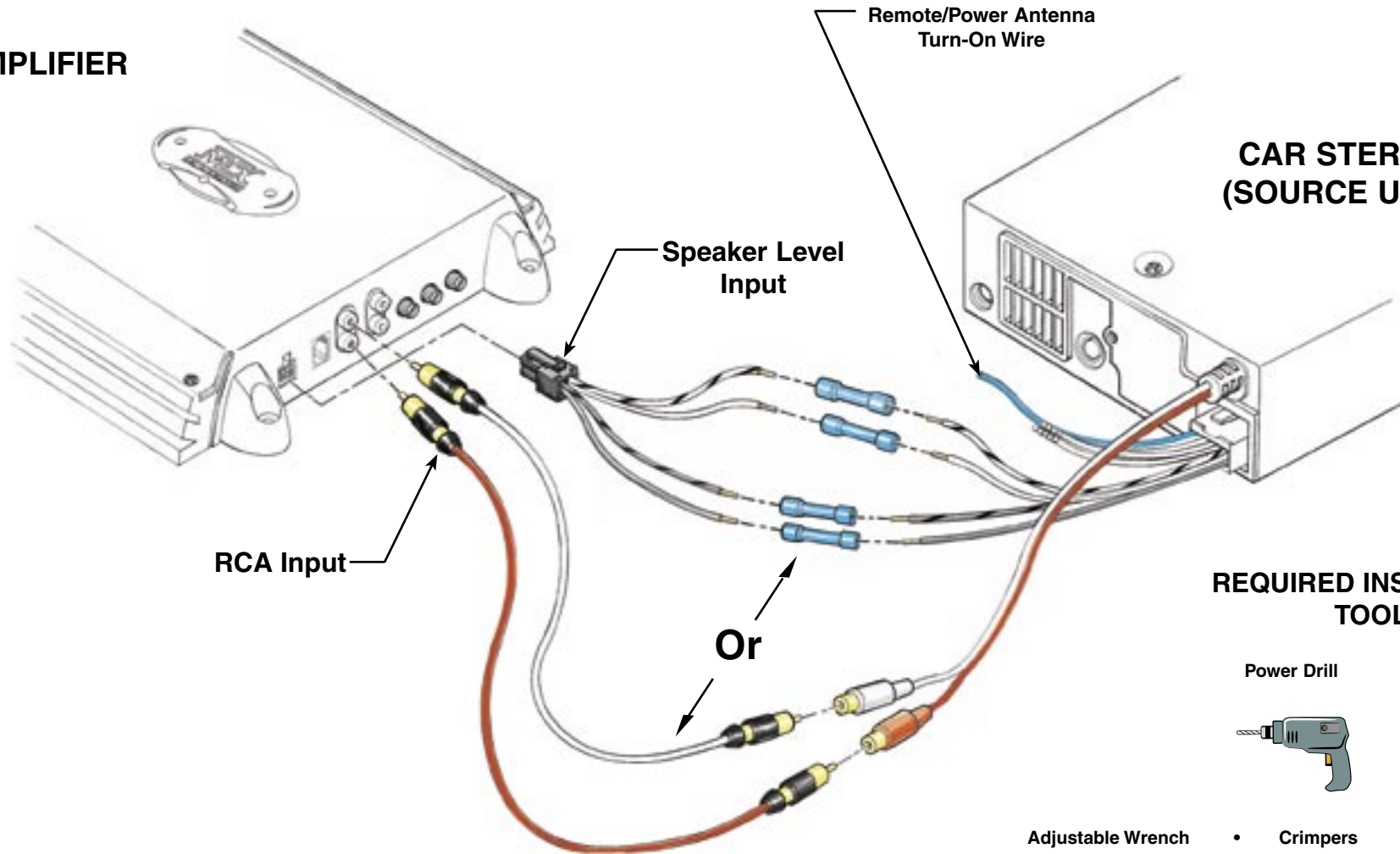


THUNDER 421D / THUNDER 801D

Amplifier Input Connections

AMPLIFIER

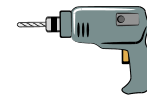
CAR STEREO
(SOURCE UNIT)



REQUIRED INSTALLATION TOOLS:

Power Drill

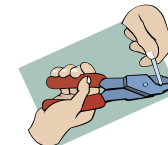
Utility Knife



Adjustable Wrench

• Crimpers

• Screw Driver



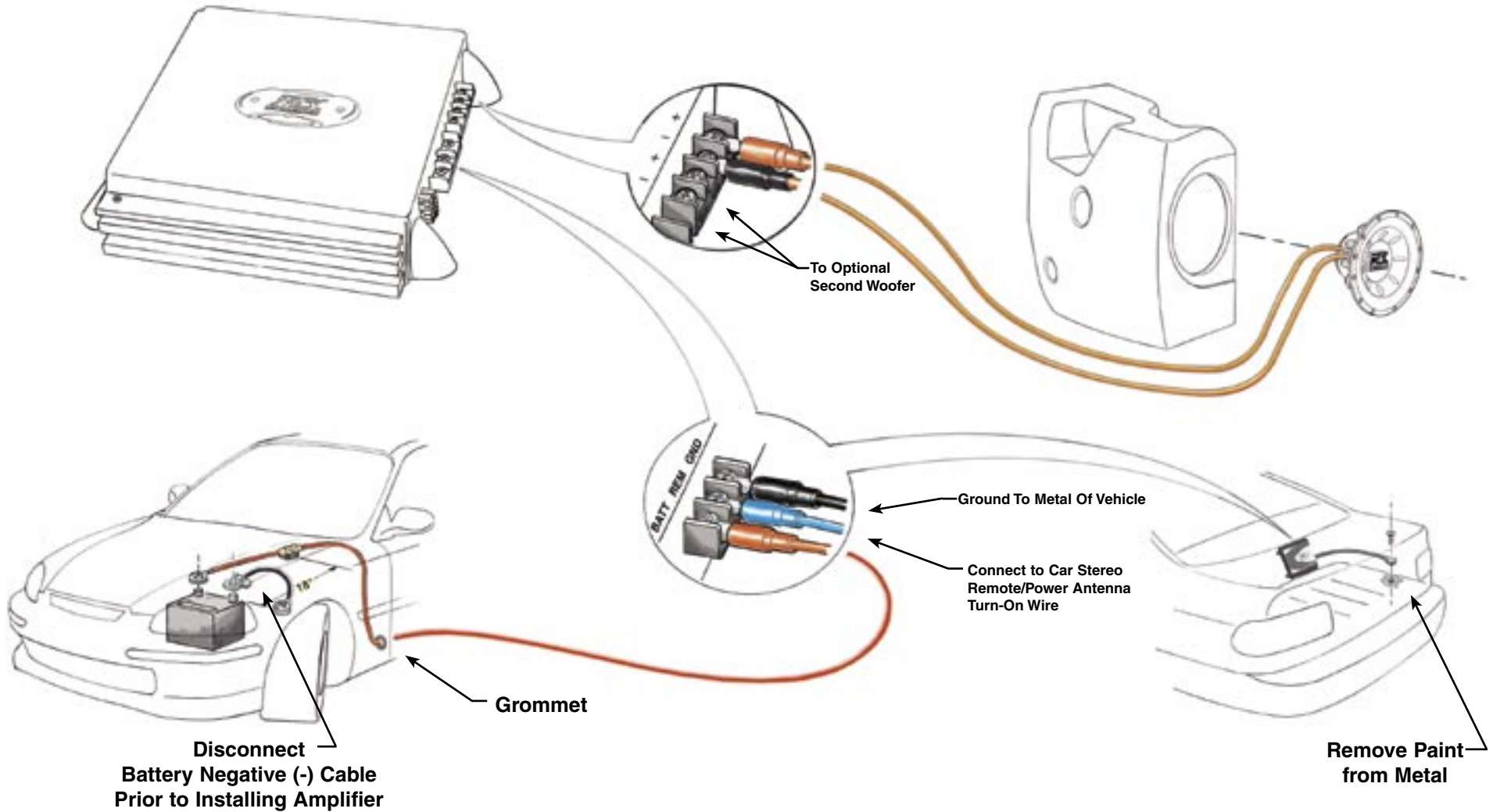
For installation options go to www.mtx.com

Part #: NDM219



THUNDER 421D / THUNDER 801D Amplifier Output Connections

AMPLIFIER



Minimum Wire Size:
Power: 8 AWG. Ground: 8 AWG.

For installation options go to www.mtx.com