



INSTALLATION INSTRUCTIONS FOR PART 99-8714

APPLICATIONS SMART FORTWO 2008

99-8714

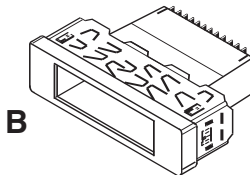
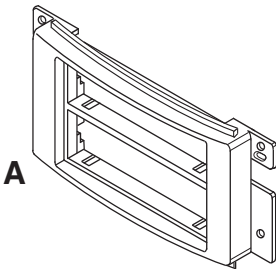
KIT FEATURES

- DIN Radio Provision with Pocket
- Stacked DIN Units Provision



KIT COMPONENTS

A) Radio Housing • B) Pocket



TOOLS REQUIRED:

- Small Flat Blade Screwdriver/ Panel Removal Tool
- T-20 Torx Screwdriver



1-800-221-0932



www.metraonline.com

© COPYRIGHT 2008

METRA ELECTRONICS CORPORATION



TABLE OF CONTENTS

Dash Disassembly

- Smart Fortwo 20081

Kit Assembly

- DIN Radio Provision with Pocket2

- Stacked DIN Units Provision3

Final Assembly4

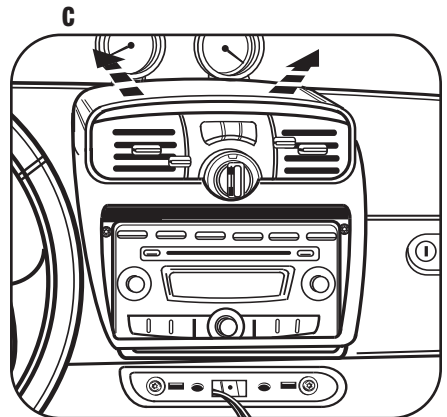
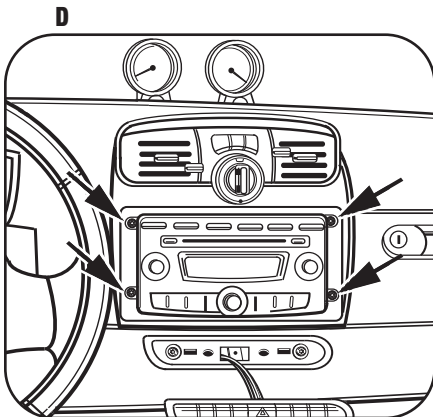
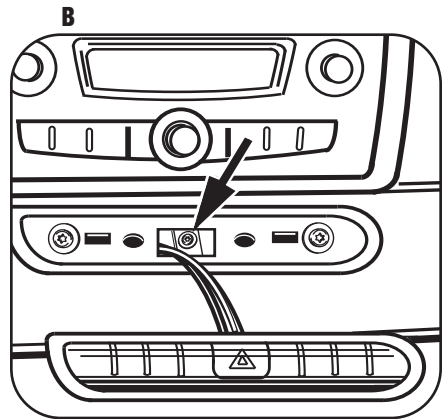
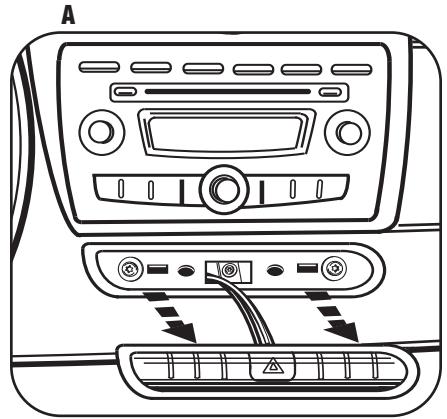
***Note:**

Refer also to the instructions included with the aftermarket radio.

SMART FORTWO 2008

- 1 Disconnect the negative battery terminal to prevent an accidental short circuit.
- 2 Unclip the Hazard button switch panel. (Figure A)
- 3 Remove (1) T-20 Torx head screw. (Figure B)
- 4 Carefully unclip the panel surrounding the radio, start at the top of the dash and work your way down. (Figure C)
- 5 Remove (4) T-20 Torx head screws from around the radio. (Figure D)
- 6 Disconnect the wire harness and antenna and remove radio.

Continue to kit assembly.



DIN RADIO PROVISION WITH POCKET

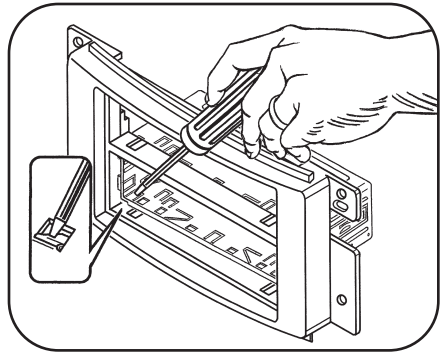
Note: Refer also to the instructions included with the aftermarket radio.

- 1 Slide the DIN cage into the radio housing and secure by bending the metal locking tabs outward. (Figure A)
- 2 Slide the aftermarket radio into the cage until it snaps into place. (Figure B)
- 3 Snap the pocket into the radio housing. (Figure C)

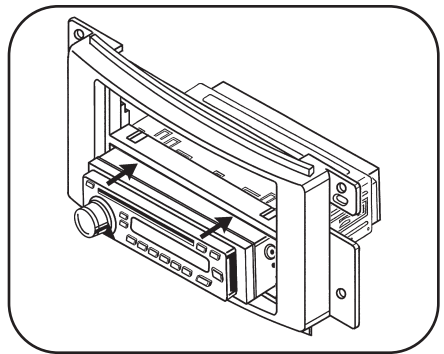
Continue to final assembly.

NOTE: Pocket may be installed in top or bottom of radio housing.

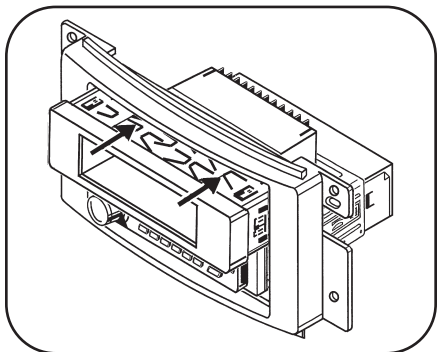
A



B



C

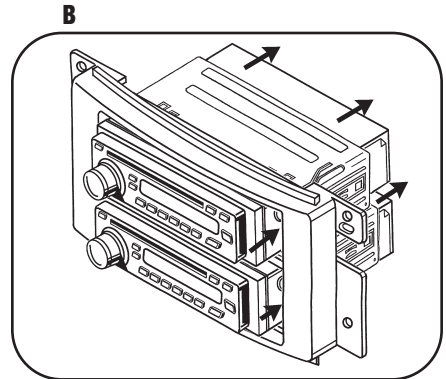
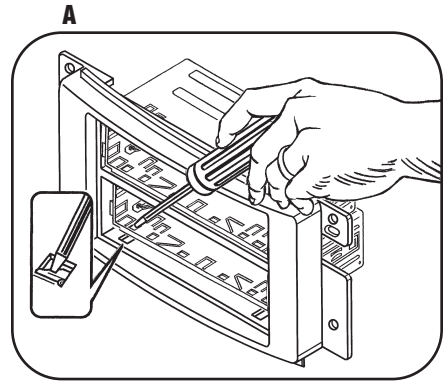


STACKED DIN UNITS PROVISION

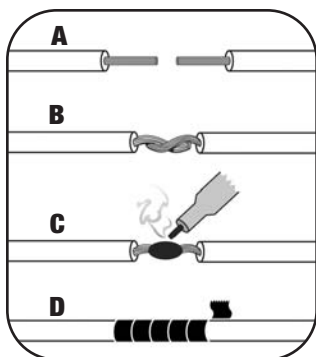
Note: Refer also to the instructions included with the aftermarket radio.

- 1 Slide the DIN cages into the radio housing and secure by bending the metal locking tabs outward. (Figure A)
- 2 Slide the aftermarket units into the cage until it snaps into place. (Figure B)

Continue to final assembly.



FINAL ASSEMBLY



- (A) Strip wire ends back 1/2"**
B) Twist ends together
C) Solder
D) Tape

- 1 Locate the factory wiring harness in the dash. Metra recommends using the proper mating adapter and making connections as shown. (Isolate and individually tape off the ends of any unused wires to prevent electrical short circuit.)
- 2 Re-connect the negative battery terminal and test the unit for proper operation.
- 3 Reassemble radio and dash assemblies in reverse order of disassembly.

FINAL WIRING CONNECTIONS

Make wiring connections using the EIA color code chart shown below and the instructions included with the head unit. Metra recommends making connections as shown below; Strip, Splice, Solder, Tape. Isolate and individually tape off ends of any unused wires to prevent electrical short circuit.

METRA / EIA WIRING CODE

12V Ignition / Acc.	Red	Right Front (+)	Gray
12V Batt / Memory	Yellow	Right Front (-)	Gray/ Black
Ground	Black*	Left Front (+)	White
Power Antenna	Blue	Left Front (-)	White / Black
Amp Turn-On	Blue / White	Right Rear (+)	Violet
Amp Ground	Black / White	Right Rear (-)	Violet / Black
Illumination	Orange	Left Rear (+)	Green
Dimmer	Orange / White	Left Rear (-)	Green / Black

***NOTE:** When a Black wire is not present, ground radio to vehicle chassis.
 All colors may not be present on all leads due to manufacturer's specifications.

99-8714 INSTRUCTIONS



1-800-221-0932



www.metraonline.com

REV. 03/27/08 © COPYRIGHT 2008 METRA ELECTRONICS CORPORATION INST99-8714