

KENWOOD

430/440 MHz FM TRANSCEIVER

TH-41A

TH-41BT

TH-41E

220 MHz FM TRANSCEIVER

TH-31A

TH-31BT

144 MHz FM TRANSCEIVER

TH-21A

TH-21BT

TH-21E

INSTRUCTION MANUAL

KENWOOD CORPORATION

Before operation

- Ensure the supplied whip antenna is securely tightened.
- The trimmers and cores inside the unit are factory adjusted. Do not touch them.
- Should the unit require service, contact your authorized dealer.



This Instruction Manual covers the following models:
Illustrations show the TH-41BT.

TH-41A	430/440 MHz FM transceiver
TH-41BT	430/440 MHz FM transceiver with DTMF
TH-41E	430/440 MHz FM transceiver with 1750 Hz tone
TH-31A	220 MHz FM transceiver
TH-31BT	220 MHz FM transceiver with DTMF
TH-21A	144 MHz FM transceiver
TH-21BT	144 MHz FM transceiver with DTMF
TH-21E	144 MHz FM transceiver with 1750 Hz tone

Contents

1. Accessories	3
2. Specifications.....	4
3. Battery notes.....	5
4. Controls and their functions.....	6
5. Operation.....	10
5-1. Reception.....	10
5-2. Transmission	10
5-3. DTMF key pad operation.....	10
6. Optional accessories.....	11
7. Block Diagram.....	11

1. Accessories

Confirm that the accessories shown below are included.

Whip antenna	1
Ni-Cd battery pack.....	1
Battery charger.....	1
Earphone (TH-41A/41BT/31A/31BT/21A/21BT).....	1
Hand strap	1
Instruction Manual	1
Warranty card (For users in USA only).....	1

The carton box and packing materials should be retained for future transportation.

Note:

The TH-31A/31BT does not operate above 224.995 MHz, since this is the upper limit of the 220 MHz band.

Attempting to operate above this frequency will not produce any receive or transmit functions.

Remember the radio is designed to operate from 220.000 MHz thru and including 224.995 MHz only.

2. Specifications

Contents

	TH-41A/41BT/41E		TH-31A/ 31BT	TH-21A/ 21BT	TH-21E
	430MHz version	440MHz version			
General					
Frequency range	430MHz to 440MHz	440MHz to 450MHz	220MHz to 225MHz	144MHz to 148MHz	144MHz to 146MHz
Signal type	F3 (FM)				
Operating temperature	-20°C ~ +50°C				
Antenna impedance	50Ω				
Power supply voltage	5.8V – 10.0V (rating voltage; 7.2V)				
Power consumption	At reception standby; Less than 30 mA At transmission (Hi); Less than 650 mA (Low); About 350 mA			Less than 28 mA Less than 600 mA About 300 mA	
Dimensions	W 57 (65.5) × H 120 (127.5) × D 28 (32) mm The numbers in the parenthesis include projections.				
Weight	Approx. 290 g (including antenna and Ni-Cd batteries)				
Transmitter section					
Output power	Hi; 1.0W, Low; approx. 150 mW				
Modulation system	Reactance modulation				
Max. frequency deviation	± 5 kHz				
Unwanted reflection	Less than -60 dB				
Microphone	Condenser type				
Receiver section					
Reception system	Double superheterodyne				
Intermediate frequency	1st: 21.6MHz 2nd: 455kHz		1st: 16.9MHz 2nd: 455kHz	1st: 16.3MHz 2nd: 455kHz	
Sensitivity	S/N more than 26 dB at -6dBμ (0.5 μV) input		S/N more than 28dB at -6dBμ (0.5μV) input 12 dB SINAD; less than -12 dBμ (0.25 μV)		
Squelch sensitivity	Less than 0.2μV		Less than 0.2μV	Less than 0.25μV	
Selectivity	-6 dB at more than 12 kHz -40 dB at less than 28 kHz				
AF output	More than 250 mW (8Ω load, distortion 10%)				

Design and specifications subject to change without notice.

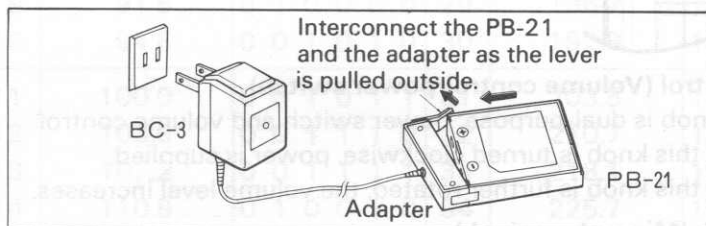
3. Battery notes

3.1. Recharging the battery pack

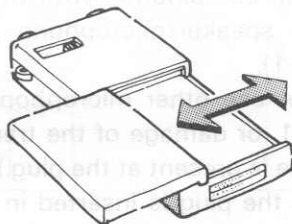
- Plug the BC-3 into the AC line outlet and interconnect the adapter to the battery pack PB-21. At this time, be sure the polarities. While recharging is correctly in progress, the red LED on the BC-3 lights. However, the LED remains lit while the BC-3 is still connected to the AC line outlet. Therefore, unplug the BC-3 after 8 hours of recharging.

Notes:

1. Recharging should be done within ambient temperature between 10°C and 40°C. Recharging performed out of this range may not fully charge the battery pack.
2. Excessive charging, if happened, the battery performance and its life may lessen.



- Align the grooves in the battery case and unit and slide in the battery case to the right. Slide to the left to remove the battery case.

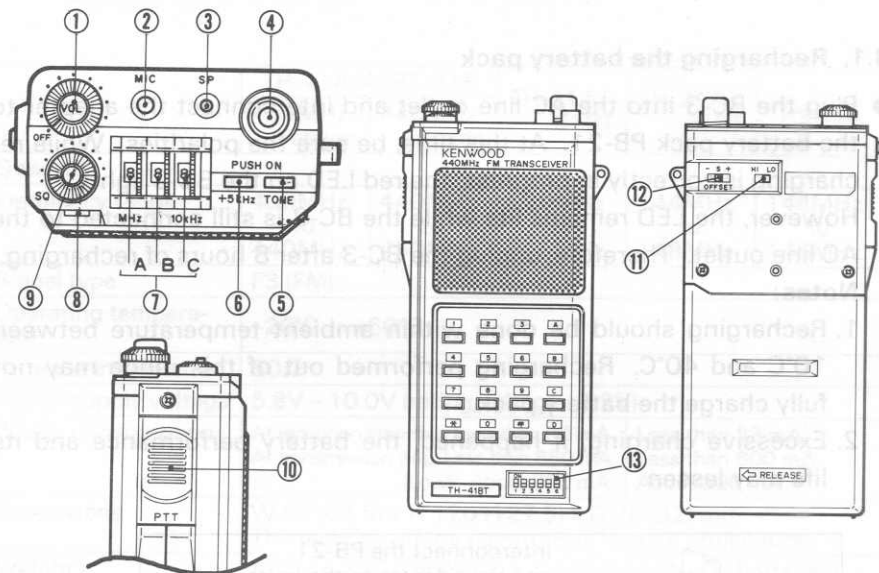


3.2. Operation time with AAA batteries

The operation time with a repeated 1 minute TX and 3 minute RX cycle is approximately 40 minutes with manganese batteries and about 90 minutes with alkaline manganese batteries.

To communicate over a short distance, set the Hi/Low switch to **LOW** to conserve power and thus extend operation time. When the batteries are exhausted and the **ON AIR** indicator lights dimly, replace the batteries with new ones.

4. Controls and their functions



① VOL control (Volume control/power switch)

- This knob is dual-purpose; power switch and volume control.
- When this knob is turned clockwise, power is supplied.
- When this knob is further rotated, the volume level increases.

② MIC jack (Microphone jack)

- Used in combination with the SP jack, for connection of the optional speaker/microphone (SMC-30) or headset with VOX (HMC-1).

Do not use other microphones other than the SMC-30 and the HMC-1, or damage of the transceiver may result. (Because of DC voltage is present at the plug.)

- When the plug is inserted in this jack, the built-in microphone is automatically disconnected.

③ SP jack (Speaker jack)

- Connect an external speaker or earphone.
- Used with the MIC jack, for optional SMC-30 or HMC-1.
- When the plug is inserted in this jack, the built-in speaker is automatically disconnected.

④ Antenna connector

- Insert the supplied helical antenna and rotate to the right to secure.

- ⑤ **Tone switch**
- Activates the sub tone (TH-41BT/31BT/21BT).
 - Tone unit is the optional TU-6 (TH-41A/31A/21A).
 - Activates 1750 Hz tone (TH-41E/21E).
- ⑥ **+5 kHz switch**
- When the switch is ON the operating frequency is 5 kHz higher than indicated by the thumb wheel switches.
- ⑦ **Frequency setting switches (Thumb wheel switches)**
- A..... Used to set to 1 MHz.
B..... Used to set to 100 kHz.
C..... Used to set to 10 kHz.
- ⑧ **ON AIR indicator**
- Lights for transmission.
 - When this indicator lights dimly, replace the batteries with new ones.
- ⑨ **SQ control (Squelch control)**
- Used to eliminate noise at non-signal condition. For normal operation, turn the knob clockwise to the point at which noise just disappears.
- ⑩ **PTT switch (Press-To-Talk switch)**
- Press this switch and speak into the micro phone for transmission.
 - The microphone is built in the same place as the speaker.
- ⑪ **Hi/Low switch**
- Used to adjust the transmission output.
 - At Hi position, the output power is 1 W. At Low position, the output power is about 150 mW.

⑫ TX offset switch

TH-41A/41BT	<p>"S" Transmit and receive frequency are the same. (Also known as "Simplex".)</p> <p>"+" Transmit frequency is 5 MHz higher than the receive frequency.</p> <p>"-" Transmit frequency is 5 MHz lower than the receive frequency.</p>
TH-41E	<p>Shifts the transmit frequency for repeater operation.</p> <p>"S" Simplex (receive and transmit frequencies are the same).</p> <p>"D - A" Sets the transmit frequency 7.6 MHz lower than the frequency set by the thumb wheel switches.</p> <p>"D - B" Switches the transmit frequency down 1.6 MHz from the receive frequency.</p>
TH-31A/31BT	<p>Shifts the transmit frequency for repeater operation.</p> <p>"S" Simplex (receive and transmit frequencies are the same).</p> <p>"REV" Sets the receive frequency 1.6 MHz lower than the frequency set by the thumb wheel switches.</p> <p>"-" Switches the transmit frequency down 1.6 MHz from the receive frequency.</p>
TH-21A/21BT	<p>"+" Transmit frequency is 600 kHz higher than the receive frequency.</p> <p>"-" Transmit frequency is 600 kHz lower than the receive frequency.</p> <p>"S" Transmit and receive frequency are the same. (Also known as "Simplex".)</p>
TH-21E	<p>Shifts the transmit frequency for repeater operation.</p> <p>"S" Simplex (receive and transmit frequencies are the same).</p> <p>"REV" Sets the receive frequency 600 kHz lower than the frequency set by the thumb wheel switches.</p> <p>"-" Switches the transmit frequency down 600 kHz from the receive frequency.</p>

⑬ Tone frequency setting switches (6P dip switches) (TH-41BT/31BT/21BT)

Tone frequency setting table

	Tone frequency	ON...1, OFF...0							Tone frequency	ON...1, OFF...0					
		1	2	3	4	5	6			1	2	3	4	5	6
1	67.0	0	0	0	0	0	0	21	141.3	0	1	1	1	1	1
2	71.9	0	0	0	0	1	0	22	146.2	1	0	0	0	1	0
3	74.4	0	0	0	1	0	0	23	151.4	1	0	0	0	1	1
4	77.0	0	0	0	0	1	1	24	156.7	1	0	0	1	1	0
5	79.7	0	0	1	0	0	0	25	162.2	1	0	0	1	1	1
6	82.5	0	0	0	1	1	0	26	167.9	1	0	1	0	1	0
7	85.4	0	0	1	1	0	0	27	173.8	1	0	1	0	1	1
8	88.5	0	0	0	1	1	1	28	179.9	1	0	1	1	1	0
9	91.5	0	1	0	0	0	0	29	186.2	1	0	1	1	1	1
10	94.8	0	0	1	0	1	0	30	192.8	1	1	0	0	1	0
11	100.0	0	0	1	0	1	1	31	203.5	1	1	0	0	1	1
12	103.5	0	0	1	1	1	0	32	210.7	1	1	0	1	1	0
13	107.2	0	0	1	1	1	1	33	218.1	1	1	0	1	1	1
14	110.9	0	1	0	0	1	0	34	225.7	1	1	1	0	1	0
15	114.8	0	1	0	0	1	1	35	233.6	1	1	1	0	1	1
16	118.8	0	1	0	1	1	0	36	241.8	1	1	1	1	1	0
17	123.0	0	1	0	1	1	1	37	250.3	1	1	1	1	1	1
18	127.3	0	1	1	0	1	0								
19	131.8	0	1	1	0	1	1								
20	136.5	0	1	1	1	1	0								

5. Operation

5.1. Reception

- (1) Turn the VOL control to the right to supply power, and adjust the volume control to the desired level.
- (2) Adjust the squelch control clockwise until the background noise just quiets.
- (3) Adjust the frequency switches to the desired receive frequency.

5.2. Transmission

- (1) Select the desired transmit offset.
- (2) Check to see that the frequency is not busy.
- (3) Press the PTT switch and speak into the microphone. The ON AIR indicator will light.

Note: The distance between the microphone and your mouth is 5 – 10 cm.

5.3. DTMF key pad operation (TH-41BT/31BT/21BT only)

- (1) To operate the keyboard as a DTMF key pad press the PTT switch and dial the desired number.
- (2) After the first number has been entered the radio will remain keyed for approximately 1.5 seconds, thus allowing the release of the PTT switch.

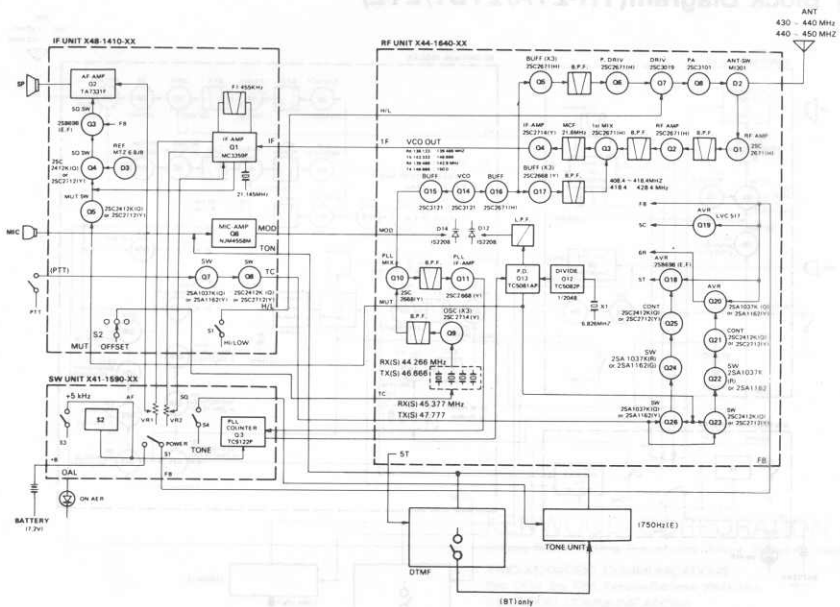
6. Optional accessories

The following optional accessories are available for the TH-41/31/21 series.

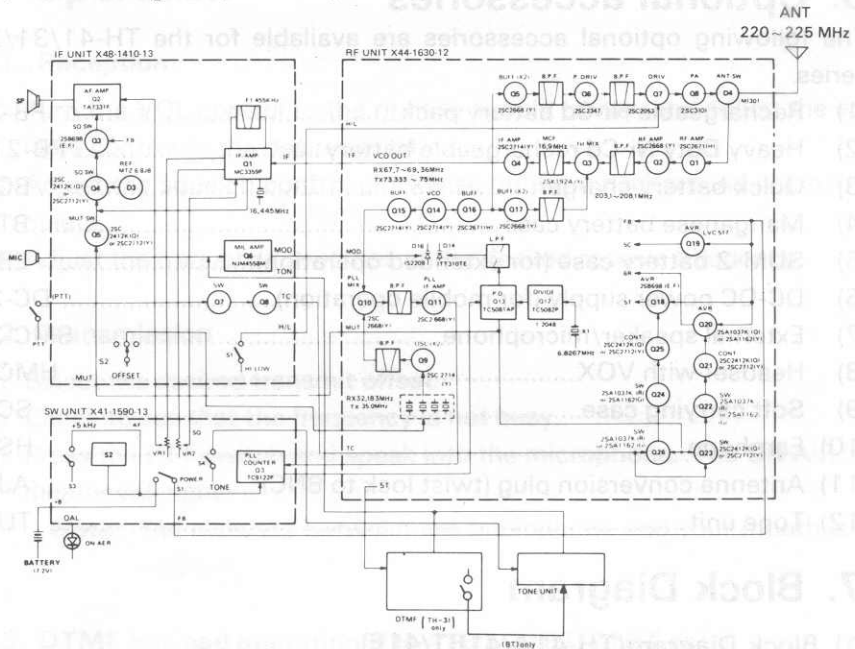
- | | |
|--|--------|
| (1) Rechargeable Ni-Cd battery pack | PB-21 |
| (2) Heavy Duty Ni-Cd rechargeable battery | PB-21H |
| (3) Quick battery charger | BC-6 |
| (4) Manganese battery case | BT-2 |
| (5) SUM-2 battery case (for extended operation) | EB-2 |
| (6) DC-DC power supply (for mobile operation) | DC-21 |
| (7) External speaker/microphone | SMC-30 |
| (8) Headset with VOX | HMC-1 |
| (9) Soft carrying case | SC-8 |
| (10) Earphone | HS-8 |
| (11) Antenna conversion plug (twist lock to BNC) | AJ-3 |
| (12) Tone unit | TU-6 |

7. Block Diagram

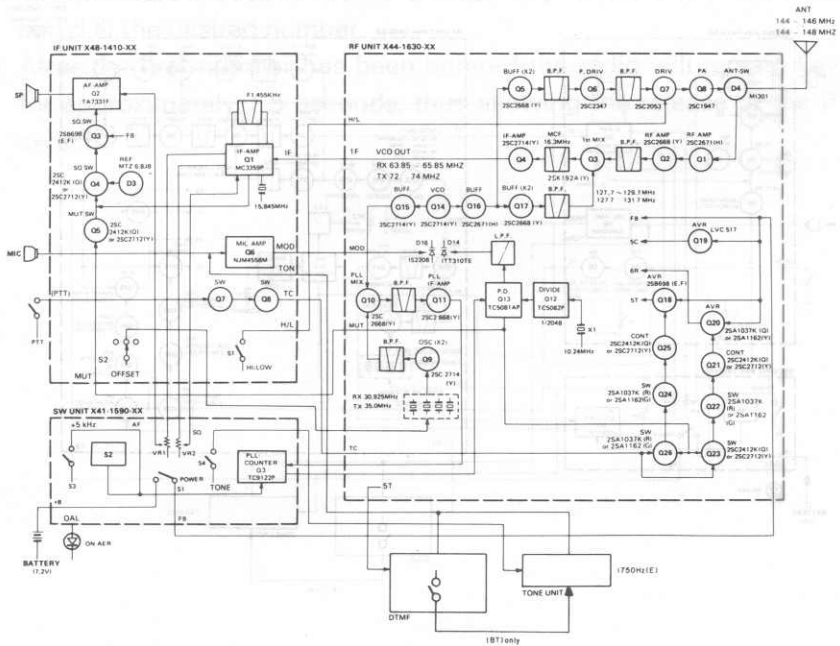
(1) Block Diagram(TH-41A/41BT/41E)



(2) Block Diagram (TH-31A/31BT)



(3) Block Diagram (TH-21A/21BT/21E)



TH-41A

TH-41BT

TH-41E

220 MHz FM TRANSMITTER

TH-31A

TH-31BT

220 MHz FM TRANSMITTER

TH-21A

TH-21BT

TH-21E

INSTRUCTION MANUAL

KENWOOD CORPORATION

KENWOOD

KENWOOD CORPORATION

Shionogi Shibuya Building, 17-5, 2-chome Shibuya, Shibuya-ku, Tokyo 150, Japan

TRIO-KENWOOD COMMUNICATIONS

Post Office Box 7065, Compton, California 90224, U.S.A.

KENWOOD COMMUNICATIONS

DIVISION OF KENWOOD ELECTRONICS DEUTSCHLAND GMBH

Rembrücker Str. 15, 6056 Heusenstamm, West Germany

KENWOOD ELECTRONICS BENELUX N.V.

Leuvensesteenweg 504, B-1930 Zaventem, Belgium

KENWOOD ELECTRONICS AUSTRALIA PTY. LTD.

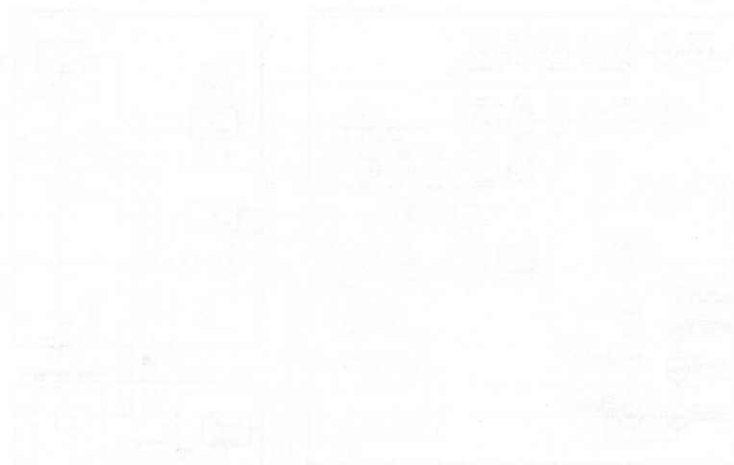
4E Woodcock Place, Lane Cove, N.S.W. 2066, Australia

[2] Block Diagram (1000007102)



KENWOOD

[3] Block Diagram (1000007102)



KENWOOD CORPORATION

KENWOOD CORPORATION
1000007102
KENWOOD ELECTRIC & ELECTRONIC LABS
KENWOOD ELECTRONIC SERVICE
KENWOOD ELECTRONIC SERVICE
KENWOOD ELECTRONIC SERVICE