



Outdoor Speaker Systems



Exceptional Performance and Styling for All Outdoor Music Applications

From the patio to the pool, on a boat or a bookshelf, ELAN O Series™ Outdoor Speakers deliver the sound you want, anywhere you want it. The front-ported design delivers a deep, powerful bass that compliments the accurate highs and warm mids. Designed to withstand the harshest weather conditions, O Series™ speakers will provide years of outdoor (and indoor!) listening pleasure.

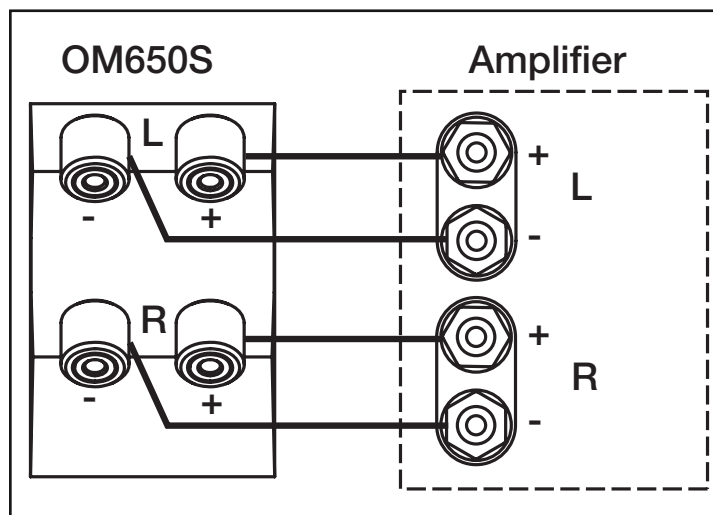
OM650S

The OM650S is a dual voice-coil speaker designed to provide stereo audio to areas that can accommodate only one speaker. Both channels of a stereo signal are played through a single transducer, resulting in full, rich, stereo sound from a single, compact speaker.

Connections

Use banana plugs, spade terminals, lug terminals, or bare wires to connect both left and right channels of an amplifier to the OM650's binding posts. (see drawing at right). Be sure to maintain correct polarity.

Note: It is recommended that you use quality stranded copper speaker wire when installing ELAN OM Series speakers. Use at least 16AWG speaker wire for runs up to 100 feet, and at least 14 AWG speaker wire for runs up to 200 feet. If you must cross high-voltage lines, always do so at a 90 degree angle to avoid audible hum through the speakers!



OM650S Specifications

Woofers:	Dual Voice Coil, Polypropylene Mica Composite Cone w/ Butyl Rubber Surround
Tweeter:	Dual Voice Coil, 19mm Silk Dome w/ Vented Pole
Rated Power:	100 Watts Total/50 Watts Per Channel RMS
Frequency Response:	58Hz- 20kHz +/-3dB
Sensitivity:	91dB
Nominal Impedance:	6 Ohms
Grille:	Rust-Proof Aluminum
Bass Reflex Enclosure:	Glass-Filled ABS
Mounting System:	Rustproof Aluminum "C" Brackets
Operating Temperature:	-4°F (-20°C) to 140°F (60°C)
Dimensions Without Brackets:	13 5/16" H x 7 5/16" W x 7 5/16" D 338mm H x 186mm W x 186mm D
Color:	White
Weight:	10.5 lbs / 4.75 kg

Limited Warranty

ELAN HOME SYSTEMS L.L.C. ("ELAN") warrants OM650S speakers to be free from defects in materials and workmanship for the period of two years (2 years) from date of purchase. If within the applicable warranty period above purchaser discovers that such item was not as warranted above and promptly notifies ELAN in writing, ELAN shall repair or replace the item at the company's option. This warranty shall not apply (a) to equipment not manufactured by ELAN, (b) to equipment which shall have been installed by other than an ELAN authorized installer, (c) to installed equipment which is not installed to ELAN's specifications, (d) to equipment which shall have been repaired or altered by others than ELAN, (e) to equipment which shall have been subjected to negligence, accident, or damage by circumstances beyond ELAN's control, including, but not limited to, lightning, flood, electrical surge, tornado, earthquake, or other catastrophic events beyond ELAN's control, or to improper operation, maintenance or storage, or to other than normal use of service. With respect to equipment sold by, but not manufactured by ELAN, the warranty obligations of ELAN shall in all respects conform to the warranty actually extended to ELAN by its supplier. The foregoing warranties do not cover reimbursement for labor, transportation, removal, installation or other expenses which may be incurred in connection with repair or replacement.

Except as may be expressly provided and authorized in writing by ELAN, ELAN shall not be subject to any other obligations or liabilities whatsoever with respect to equipment manufactured by ELAN or services rendered by ELAN.

THE FOREGOING WARRANTIES ARE EXCLUSIVE AND IN LIEU OF ALL OTHER EXPRESSED AND IMPLIED WARRANTIES EXCEPT WARRANTIES OF TITLE, INCLUDING BUT NOT LIMITED TO IMPLIED WARRANTIES OF MERCHANTABILITY AND FITNESS FOR A PARTICULAR PURPOSE.

ATTENTION: TO OUR VALUED CONSUMERS

To ensure that consumers obtain quality pre-sale and after-sale support and service, ELAN Home Systems products are sold exclusively through authorized dealers. ELAN products are not sold online. The warranties on ELAN products are NOT VALID if the products have been purchased from an unauthorized dealer or an online E-tailer. To determine if your ELAN reseller is authorized, please call ELAN Home Systems at (859) 269-7760.



2428 Palumbo Dr.
Lexington, KY USA 40509
Voice 859-269-7760
Tech Support 800-622-3526
www.elanhomesystems.com

INSTR, INSTL, OM650S
LINEAR P/N9900766 REV:A
INK: BLACK
MATERIAL: 60 LB WHITE COATED PAPER
PAGES: 2 PAGES
SCALE: 1-1
SIZE: 8.500 X 11.000, TOL: +/- .040
FOLDING: NO FOLD
NOTE: ARTWORK CREATED BY ELAN HOME SYSTEMS