

# KENWOOD

**KDC-C712**

**KDC-C662**

**KDC-C462**

---

COMPACT DISC AUTO CHANGER

## **INSTRUCTION MANUAL**

KENWOOD CORPORATION



# Safety precautions

## ⚠WARNING

### **Take the following precautions to prevent fire and avoid personal injury :**

- Check that no metal objects (coins, tools, etc.) are left inside the unit to avoid short circuits.
- If you smell or see smoke, turn the power off immediately and consult your Kenwood dealer.

## ⚠CAUTION

### **Take the following precautions to keep the unit in proper working order.**

- Do not open the top or bottom cover.
- Do not install the unit in places it is exposed to direct sunlight, high heat or humidity, water may splash over it, or dust exists.
- Do not install the unit at a dusty place. If the unit is installed at a dusty place, dust accumulates inside the unit and unit may be damaged.
- When drilling a hole in the car to fix the brackets, make sure not to damage the fuel tank, brake tube, wiring harnesses, etc. on the other side.
- If the unit is installed near speakers, the speakers vibration may causes a sound skip. Install the unit as far away as possible from the speakers.

## NOTE

- If you have difficulty in installing this unit in your vehicle, contact your Kenwood dealer.
- If it doesn't seem to be working properly, first press the Reset button. If the malfunction persists, consult your Kenwood dealer.

## IMPORTANT INFORMATION

- This unit is NOT designed to be connected directly to control units that are manufactured and sold before 1994. If used with such units, an optional CA-SD200 (sold separately) must be used.

### **FAILURE TO FOLLOW THESE INSTRUCTIONS MAY RESULT IN DAMAGE TO THIS UNIT AND CONTROL UNIT.**

<KDC-C712/C622>

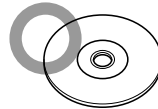
- The disc name preset function can register names of up to 100 discs using up to 12 characters for each disc name. The availability of this function as well as the number of discs which can be registered using this function and the number of usable characters may be variable depending on the control unit in use.


<KDC-C462>

- The disc name preset feature can store the names of up to 50 discs in memory. This feature may sometimes be unable to be controlled from the control unit.

### **Do Not Use Special Shape CDs**

- Be sure to use round shape CDs only for this unit and do not use any special shape CDs. Use of special shape CDs may cause the unit to malfunction.



- Be sure to use CDs with disc mark  only for this unit.

### **Do Not Use CDs with Sticker on the Labeled Side**

- Do not use the CD with the label sticker stuck on it. Using such a CD may cause the CD to be deformed and the sticker to peel off, resulting in malfunction of the unit.

### **Cleaning the unit**

- If the front panel is dirty, wipe it clean with a silicon cloth or soft dry cloth with the power off.

## ⚠CAUTION

Do not use hard cloths or paint thinner, alcohol, or other volatile solvents. These may damage external surfaces or remove indicator characters.

### **Lens fogging**

- In cold climates, there may be a period after you turn on your vehicle's heater when the lens that guides the laser beam used in your CD player fogs up. If this happens, you cannot play compact discs. Take out discs and the fogging will disappear. If it does not return to normal after several hours, contact your Kenwood dealer.

### **Heat protection**

- In warm climates, when vehicles are left standing in direct sunlight with the windows closed, the temperature inside can rise above 60°C. The unit's protection circuits will then display the message "HOLD" and prevent the player from operating. Just open the windows or turn on the air conditioning. As soon as the "HOLD" message disappears, the player will operate normally.

## ***Handling compact discs***

---

***Stains, scratches, or warping can cause skipping, malfunction, or low sound quality. Take the following precautions to avoid damage to the compact discs.***

- Avoid touching the recorded side (the side without the titles on) when you hold a compact disc.
- Do not stick paper tape, etc. on either stick of the disc.
- Do not store discs where they will be exposed to direct sunlight (such as on the seat and dashboard) or high heat.
- If you do not use your unit for an extended time, remove the discs from the unit and put them in their cases. Do not leave them lying around without cases, piled up, or leaning on a wall and so on.
- If you attach an adapter to an 8 cm (3") compact disc and load it into this unit, the adapter may be detached from the disc, causing damage to the unit. Do not use 8 cm (3") compact discs.

## ***Warning***

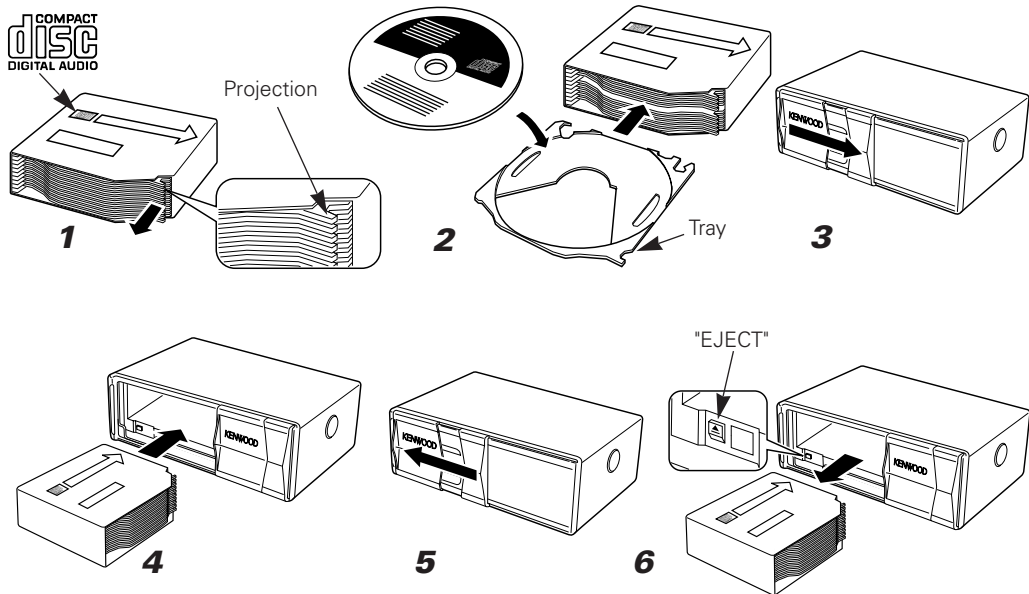
---

***The marking of products using lasers  
(Except for some areas)***



The label is attached to the chassis/case and says that the component uses laser beams that have been classified as Class 1. It means that the unit is using laser beams that are of a weaker class. There is no danger of hazardous radiation outside the unit.

# Loading compact discs



1. Make sure the disc magazine is the right way up with the "disc" logo on the top. Pull the tray out by the projection.
2. Place the disc on the tray with the label facing upwards. Insert the tray into the disc magazine until it locks. Check that the discs and trays are inserted properly. The discs are numbered from the bottom from 1 to 6 or 10.

## ▲CAUTION

- Take care to insert trays into the correct grooves in the disc magazine and to insert discs properly into the tray grooves. Otherwise malfunction may occur or the disc may be damaged.
- Insert all trays even when some of them do not carry discs. Otherwise malfunction or operation failure may occur.
- 8-cm discs cannot be used. If an 8-cm disc adapter is used, the disc cannot be ejected.

3. Open the CD changer door.
4. Insert the magazine into the CD changer until it clicks.
5. Close the CD changer door.

## NOTE

Use the CD changer with its door closed to prevent the entry of dust into the changer.

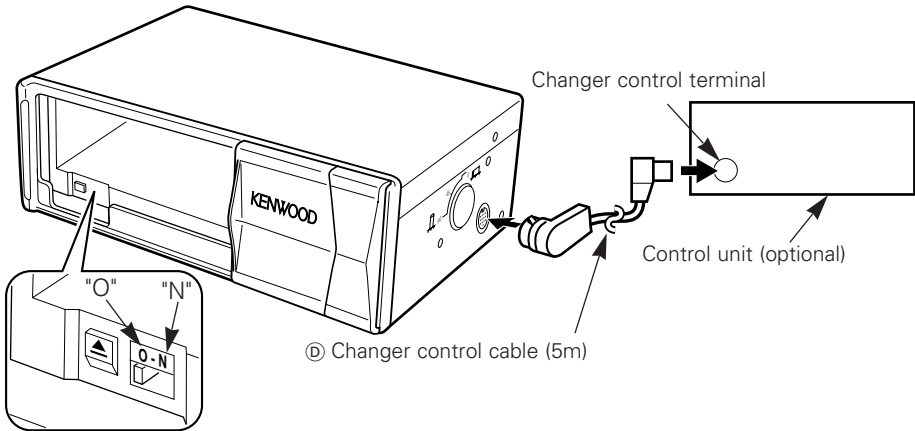
## 6. Magazine ejection

Open the CD changer door, and press the "EJECT" button.

## NOTE

Be sure to open the door completely before pressing the EJECT button. If the door is not completely open, the magazine may hit the door and cause damage or malfunction.

# Connections



## ▲ CAUTION

- Do not connect the changer control cable while the control unit is turned ON.
- Be sure to press the reset button after installation.
- Do not install an antenna of radio equipment or distribute the antenna cable near the changer output cable, for this could cause malfunction with this unit.

## ■ Setting the O-N switch

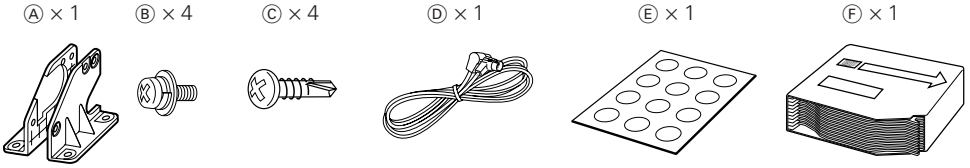
Set the O-N switch (lying to the right of the EJECT key) depending on the unit connected, as follows:

Control unit	CD text-capable		Not CD text-capable		—
	Changer switching unit	KCA-S210A	None	KCA-S210A	
O-N switch setting	N	N	O	O	O

- Consult the instruction manual for your control unit to check whether or not it is CD text capable. That information can be found on the page for External Disc Control in the section concerning switching to "N."
- In the "N"-operation mode, the disc titles and track titles provided by the CD text function can be displayed. (only KDC-C712/C662)

# Installation

## ■ Accessories



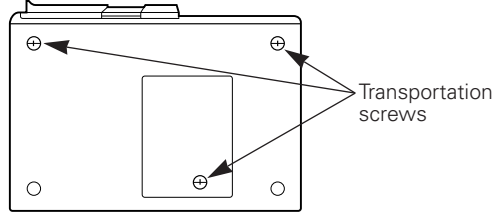
## ■ Installation Procedure

### 1 Removing the transportation screws

Remove all 3 transportation screws for protecting the internal mechanism before you start to install the unit.

#### NOTE

After removing the transport screw, retain it carefully and attach it again before transporting the unit again.



### 2 Angle adjustment switches

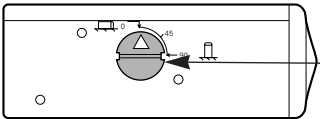
- The angle adjustment switches on the both side of the unit are to be set according to the angle of installation of the CD auto changer. Set both of the two switches to the same position. If the switches are not set properly, sound skip or other malfunction may occur.
- Set the angle adjustment switches with a coin or other flat object.
- Change the switch step by step by detaching and reusing the object at the end of each step.

### 3 Cover the holes indicated by ► with the dustproof seals (E). (Bottom and sides)

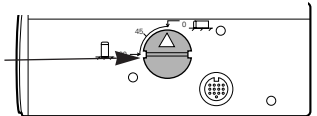
Use the holes marked ● to install the unit. (See page 14)

#### ▲ CAUTION

Do not tighten the screw (B) too securely at the time of installation, but tighten it securely after having fixed the bracket (A).



Angle adjustment switches



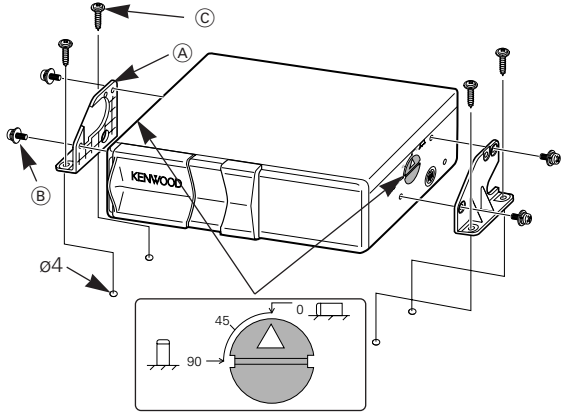
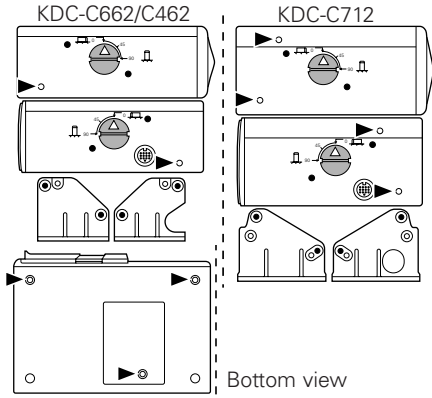
Installation angle	0°~5° 	40°~50° 	85°~90° 
Angle adjustment switch position			



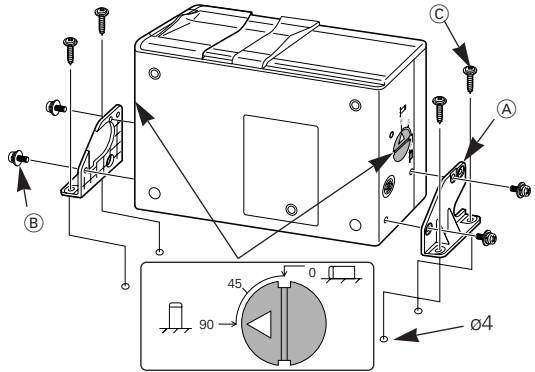
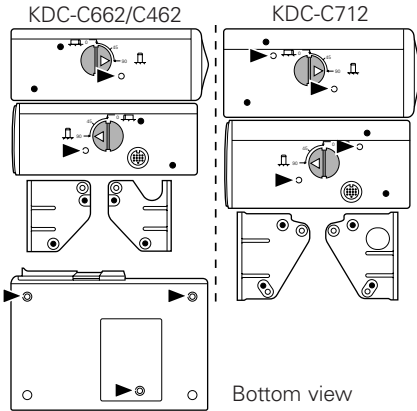
It is not possible to install at an angle of 40°~50° if only (A) is used.

# Installation

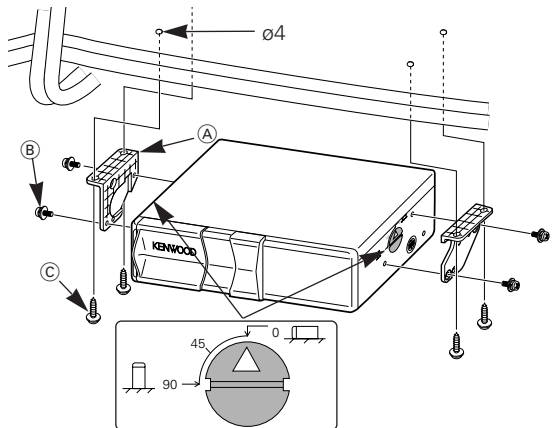
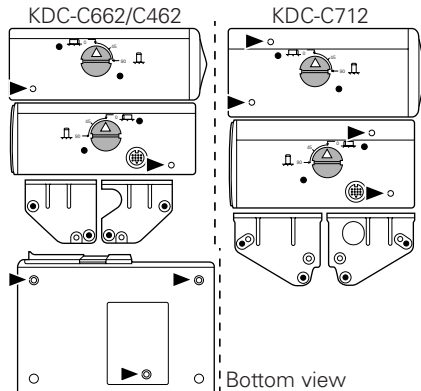
## ■ Horizontal installation



## ■ Vertical installation



## ■ In case of hanging in the trunk



# Troubleshooting Guide

<b>PROBLEM</b>	<b>POSSIBLE CAUSE</b>	<b>SOLUTION</b>
<b>Sound skips due to vibration.</b>	<ul style="list-style-type: none"> <li>• The unit is mounted at a slant.</li> <li>• Changer unit is mounted in an unstable place.</li> <li>• The angle adjustment switches are set improperly.</li> </ul>	<ul style="list-style-type: none"> <li>• Mount the unit so that is level.</li> <li>• Mount the unit in a stable place.</li> <li>• Set the angle adjustment switches to the correct positions.</li> </ul>
<b>The disc changer mode cannot be selected.</b>	The O-N selection switch of the disc changer is not set properly.	Set the O-N selection switch to "O" position.

When removing the CD changer, be sure to first eject a magazine then unplug the changer cord. Do not forget to attach the transport screws before transporting the CD changer. The CD changer may be damaged during transport if a magazine or CD is left inside it or the transport screws are not attached.

## Specifications

### Specifications subject to change without notice.

Laser diode .....	GaAlAs ( $\lambda=780$ nm)	Operating voltage ....	14.4 V (11 ~ 16 V allowable)
Digital Filter .....	.8 Time Over Sampling	Current consumption .....	0.8 A at Rated power
D/A Converter .....	1 bit	Dimensions (W × H × D)	
Spindle speed .....	500 ~ 200 rpm (CLV)	(KDC-C712) .....	250 × 80 × 176 mm
Wow & Flutter .....	Below Measurable Limit	(KDC-C662/C462) .....	250 × 64 × 176 mm
Frequency Response ( $\pm 1$ dB) .....	5 Hz ~ 20 kHz	Weight	
Total harmonic distortion (1 kHz) .....	0.005 %	(KDC-C712) .....	2.0 kg
Signal to Noise Ratio .....	94 dB	(KDC-C662/C462) .....	1.8 kg
Dynamic range .....	94 dB		
Channel separation .....	85 dB		