

Electrolux

Upright Vacuum Cleaner

Featuring Bagless Cleaning System

Owner's Guide

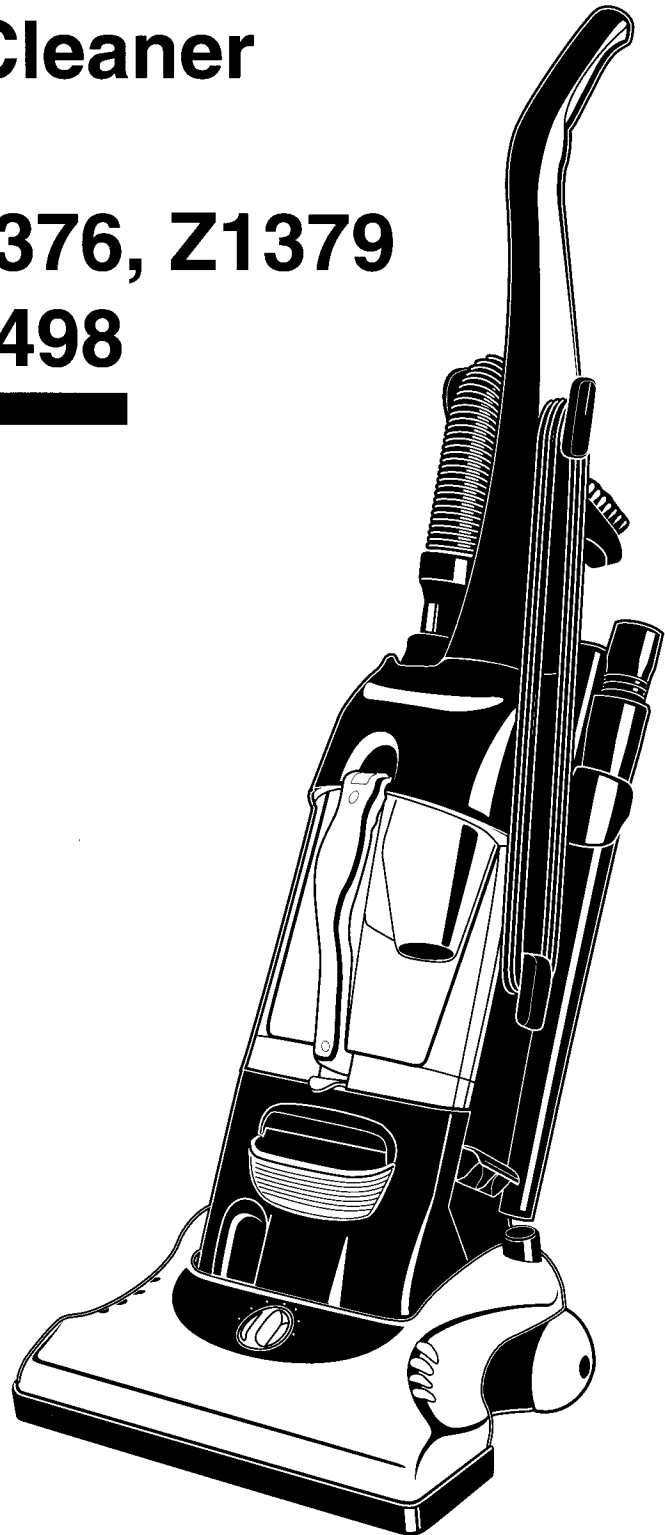
Models Z1373, Z1376, Z1379 Z1488, Z1498

Index

Important Safeguards	2
Service Information	4
Assembly	5-6
Thermal Cut Off	4 & 7
Use	7-8
Accessories	9
Cyclonic Cassette	10-11
Brush Roll	12
Brush Roll Belt	12
Hose Blockage	13
Filters	14
HEPA Filter	14
Problem Solving	15
Customer Order Form	17
Warranty	19

IMPORTANT

**For any advice
on your cleaner,
please telephone
Customer Care
08706 055055**



IMPORTANT USER INFORMATION

IT IS MOST IMPORTANT THAT THIS INSTRUCTION BOOK SHOULD BE RETAINED WITH THE APPLIANCE FOR FUTURE REFERENCE. SHOULD THE APPLIANCE BE SOLD OR TRANSFERRED TO ANOTHER OWNER, OR SHOULD YOU MOVE HOUSE AND LEAVE THE APPLIANCE, ALWAYS ENSURE THAT THE BOOK IS SUPPLIED WITH THE APPLIANCE IN ORDER THAT THE NEW OWNER CAN BE ACQUAINTED WITH THE FUNCTIONING OF THE APPLIANCE AND THE RELEVANT WARNINGS.

THESE WARNINGS ARE PROVIDED IN THE INTEREST OF SAFETY. YOU MUST READ THEM CAREFULLY BEFORE INSTALLING OR USING THE APPLIANCE.

- This appliance is designed to be operated by adults. Children should not be allowed to tamper with the controls or play with the product.
- It is dangerous to alter the specifications or modify the product in any way.
- **Always store your vacuum cleaner in a dry place away from damp atmosphere and do not use it to pick up water or other liquids.**
- Do not use the appliance in the presence of flammable gasses.
- Never allow anyone to have access to the rotating brush of the appliance (if fitted) unless the appliance is disconnected from the mains supply.
- Never leave the appliance running unattended.
- Remove the plug from the wall socket before attempting any form of user maintenance specified in the user instruction booklet.
- Do not carry or drag your vacuum cleaner by the mains supply cable.
- Do not tug at the mains supply cable to remove the plug from the wall socket.
- Ensure the mains supply cable is kept well away from the rotating brushes (where fitted) of your appliance whilst in operation.
- Keep the mains supply cable away from heat, oil, sharp edges and rough surfaces. Always ensure that the cable is not damaged in any way.
- Never pick up hot cinders or lighted cigarette ends.
- Extreme care is required when cleaning stair carpets with your appliance. Ensure that your cleaner is in a stable position at the bottom of the stairs, and take care not to stretch the hose beyond its actual length. Always ensure when using your cleaner on the stair treads that you keep one hand firmly on the appliance. Ensure brush roll is not rotating on stair tread.
- Filters should be changed at regular intervals as stated in your instruction booklet.
- Always use genuine Electrolux filters.
- Do not place an air freshener loose inside the dust cup compartment.
- Do not use the appliance without a dust cup.
- When fitting and changing the accessories always follow the instructions in the instruction booklet.
- Under no circumstances should you attempt to repair the appliance yourself. Repairs undertaken by unauthorised or inexperienced persons may cause injury and/or serious malfunctioning.
- This appliance should be serviced by authorised Electrolux personnel and only genuine Electrolux spare parts should be used.
- The supply cable fitted to your machine is of two core construction. Where a moulded-on plug is not fitted the leads at the end of the cable are not prepared for a specific type of plug.

As a general guide to fitting any plug

- Ensure the lengths of wire inside the plug are prepared correctly.
- Connections should be firmly made after all conductor strands are entered into the terminal posts.
- When preparing the cable ends take care not to damage the outer sheath, or the insulation surrounding the inner conductors.
- Tighten all screws.
- Replace the top cover of the plug and secure.

Extension Cable

- If using an extension cable at any time always ensure that the insulation sheath is in good condition and is not damaged in any way.
- Make sure that the socket is fitted to the extension cable correctly, if in doubt have it checked by a qualified electrician.

Double Insulation



- Your vacuum cleaner is double insulated. This means that all external parts are electrically insulated from the mains. This is done by placing insulation barriers between the electrical and mechanical components, making it unnecessary for the cleaner to be earthed.

BEFORE YOU START

CHECK THE VOLTAGE

First check the voltage shown on the data plate (see rear view) to make sure that the cleaner is of the correct voltage for your electricity supply. If it is not, do not use the cleaner but refer back to your dealer.

CONNECTING TO YOUR ELECTRICITY SUPPLY

Permanently connected to the cleaner is a mains supply (2-core) cable fitted with a non-rewirable plug incorporating a 13A fuse.

In the event of the fuse requiring replacement the fuse cover should be removed using a small screwdriver. The old fuse **MUST** be replaced by a 13A ASTA approved BS1362 fuse or a BSI approved fuse. The cover must be replaced before the plug is used again. In the event of loss of the fuse cover, replacements can be obtained from your Electrolux dealer and must be of the same colour as indicated by the coloured insert on the base of the plug.

If difficulty is experienced in obtaining a replacement, contact 08706 055055.

In no circumstances must the plug be used without a correct fuse cover fitted.

If the plug that is fitted to your appliance is not suitable for your socket outlet, it must be cut off and the appropriate plug fitted.

Remove the fuse from the cut off plug.

The cut off plug should then be disposed of to prevent the hazard of shocks in case it should be plugged into a 13 amp socket in another part of your home.

The wires in the mains cable of this appliance are coloured in accordance with the following code: **Blue: Neutral. Brown: Live.**

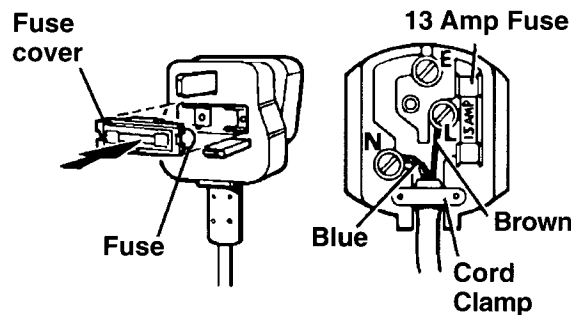
As the colours of the wires in the mains cable of this appliance may not correspond with the coloured markings identifying the terminals in your plug, proceed as follows:

The wire which is coloured blue must be connected to the terminal which is marked with the letter N or coloured black.

The wire which is coloured brown must be connected to the terminal which is marked with the letter L or coloured red.

If using a three-pin plug, do not make any connection to the terminal marked with the letter E or by the earth symbol or coloured green or green-and-yellow. This cleaner is double insulated and no earth connection is necessary.

It is in your interest to ensure that the plug is correctly attached to the mains cable. In case of doubt, have it done by a qualified electrician, as Electrolux cannot regard the repair of faults on the plug connection as a service that can be given free of charge under the terms of the guarantee.



WARNING

The brush in the cleaning head rotates at high speed and can cause damage to the mains supply cable if the cleaner passes over it during cleaning operations.

Care should be taken to ensure that this does not happen. If the cleaning head has accidentally passed over the mains supply cable the following actions should be taken:

1. Switch off and remove the plug from the socket outlet.
2. Examine the mains supply cable for damage (only after removing the plug from the socket outlet).
3. If there is any sign of damage to the supply cable it **MUST** be renewed. The repair **MUST** be carried out by a Electrolux Service Agent or a similarly qualified person.
4. **NEVER** use the machine with a damaged mains supply cable.

Proprietary carpet conditioning and air freshening materials

After using proprietary carpet conditioning powders, it is recommended that the dust cup be emptied. Some of these preparations contain substances which if left in the vacuum cleaner for extended periods could damage the plastic mouldings which form the structure of the cleaner.

Many air fresheners, household deodorants, sprays and polishes contain a highly flammable gas propellant.

Because of this, it is particularly important that these products are used strictly in accordance with the relevant manufacturer's instructions.

It is essential that none of the above products are sprayed directly into the vacuum cleaner or any of its filters, hose assembly, or dust cup chamber.

SERVICE

Should you require service on your Electrolux cleaner, please telephone 08706 055055. Before requesting service, please check whether your problem is covered under Service Checklist (see below).

New filter pads, brush rollers and drive belts can be obtained from Electrolux Dealers. If difficulty is experienced in obtaining spares, please contact **08706 055055**.

SERVICE CHECKLIST

- **If** your cleaner will not operate, check the plug connection, plug fuse and mains fuse.
- **Never allow** the dust cup to become so full that it impedes the air-flow, thus reducing the cleaning efficiency of the machine. The character of household dust and its effect on the air-flow through the machine may vary considerably. Fluffy dust allows air to pass through readily whereas fine powdery dust or proprietary cleaning powders, pack tightly in the dust cup, offering greater resistance to air-flow and will reduce cleaning efficiency if it becomes overloaded.
- **Always store** your cleaner in a dry place.
- **Renew** the filter pads three or four times a year. This is essential to ensure continued high filtration of dust particles.
- **Sucking up** such items as stockings, clippings of cloth, sizeable pieces of paper, wrappings from cigarette packets or sweets etc., may block the hose. **Electrolux regrets that the clearing of blocked hoses cannot be regarded as service that can be given free of charge, under the guarantee.** Should a blockage occur, first disconnect the cleaner from the electricity supply, refer to section headed "Blockages." If these operations are not successful, contact **08706 055055**.
- **Never** pick up hot cinders or lighted cigarette ends.
- **Make certain that your cleaner does not come into contact with water or any other liquid. It is not designed as a wet pick up cleaner, and must never be used on damp carpets or wet floors.**

Important - in the event of the mains supply cable of this vacuum cleaner requiring replacement, we recommend that this be carried out by a Electrolux Service Agent.

GUARANTEE

THIS GUARANTEE IS IN ADDITION TO YOUR STATUTORY AND OTHER LEGAL RIGHTS.

Electrolux products are carefully designed, manufactured, tested and inspected and, in consequence, we undertake to replace or repair any part found to be defective in material or workmanship, within one year of delivery to the original purchaser, free of charge.

There are certain conditions which may invalidate this guarantee:

- a) It is dependent upon the appliance being correctly installed and used in accordance with the Company's instructions under normal domestic conditions within the United Kingdom or the Republic of Ireland.
- b) Service at all times must be carried out by an Electrolux service representative or authorised agent.
- c) The guarantee may be invalidated by unauthorised repair or modification of the appliance.

The Company does not accept liability for defects arising from neglect, misuse or accident. This guarantee excludes such normal wearing parts as drive belts, brushes and dust bags as the life of these depends upon the amount and nature of use.

Proof of the date of purchase will be required before service under guarantee is provided.

Important:

For future reference we suggest you record the following details here, and keep the receipt with the handbook as proof of purchase.

PURCHASED FROM

DATE PURCHASED MODEL NO.

 **Electrolux**
LUTON, BEDFORDSHIRE, LU4 9RJ

Features of the Electrolux vacuum cleaner and accessories supplied with it are protected in Great Britain and abroad by Patents or Registered Designs.

This appliance conforms with the requirements of the amended E.E.C. directive No. 89/336/EEC relating to electromagnetic compatibility (EMC) CE.

Electrolux, may introduce modifications to their product from time to time, and consequently the details given in this booklet are subject to alteration without notice.

Thermal Cut Off

This vacuum cleaner has a special thermostat that protects the cleaner in case of motor overheating. If the cleaner suddenly shuts off, push the switch pedal once and unplug the cleaner. Check the cleaner for a possible source of overheating such as a full bag, a blocked hose or clogged filter. If these conditions are found, fix them and wait at least 30 minutes before attempting to use the cleaner. After the 30 minute period, plug the cleaner back in and turn on the switch. If the cleaner still does not run, call Electrolux on **08706 055055** for assistance.

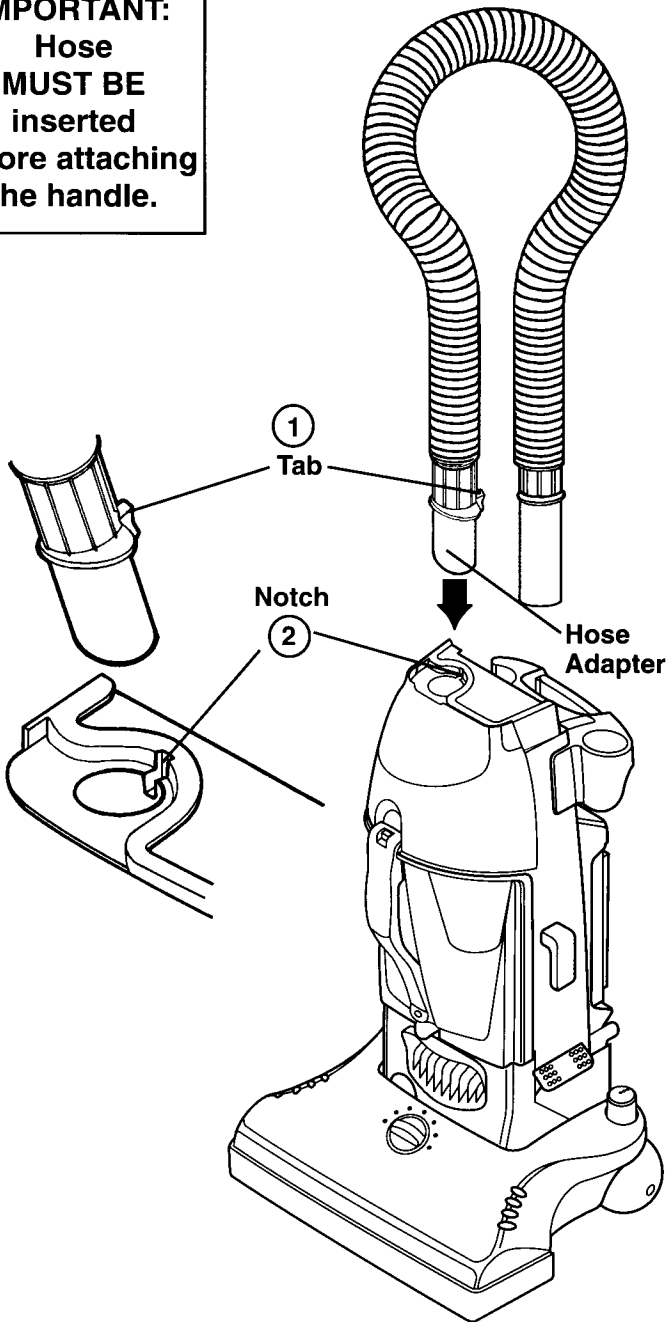
HOW TO ASSEMBLE

CAUTION: Assemble the cleaner before using.

NOTE: Features may vary by model yet all parts assemble in the same way.

Step A Attach Hose

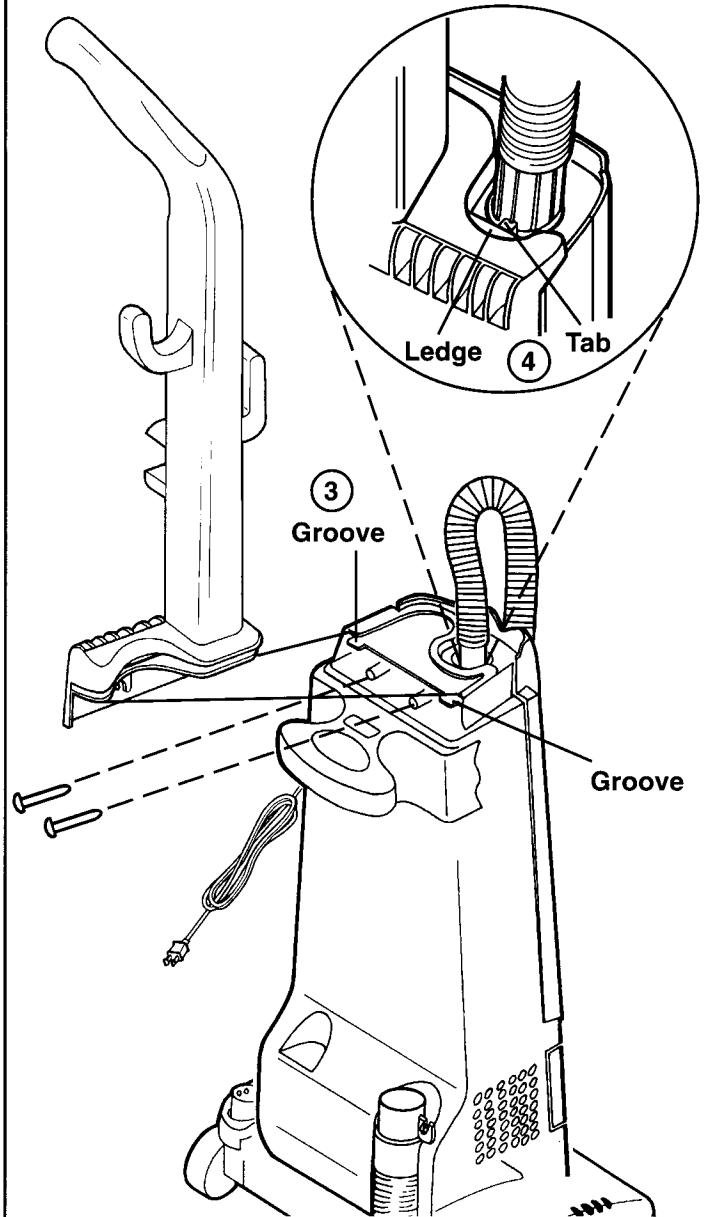
IMPORTANT:
Hose
MUST BE
inserted
before attaching
the handle.



1. Locate the tab on the hose adapter of the extension hose (shortest end).
2. Insert hose adapter into opening on top of unit. **The hose adapter tab must be placed all the way down into the notch.**

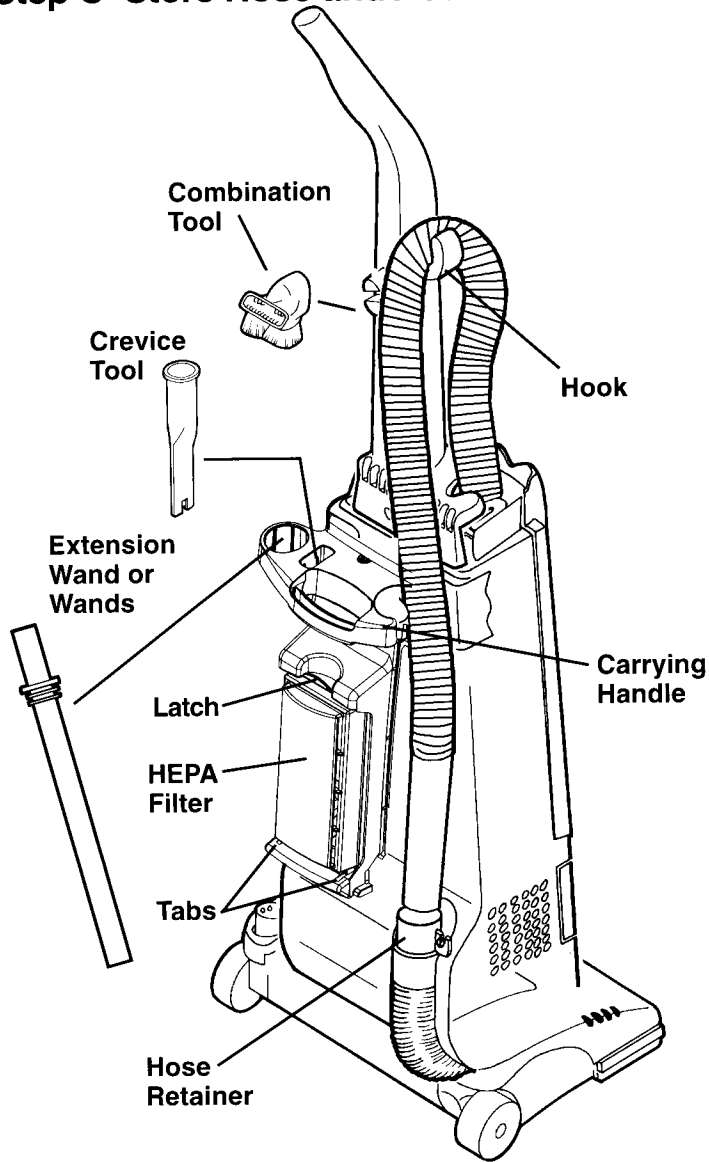
Step B Attach Handle

CAUTION: Do not catch cord under handle.

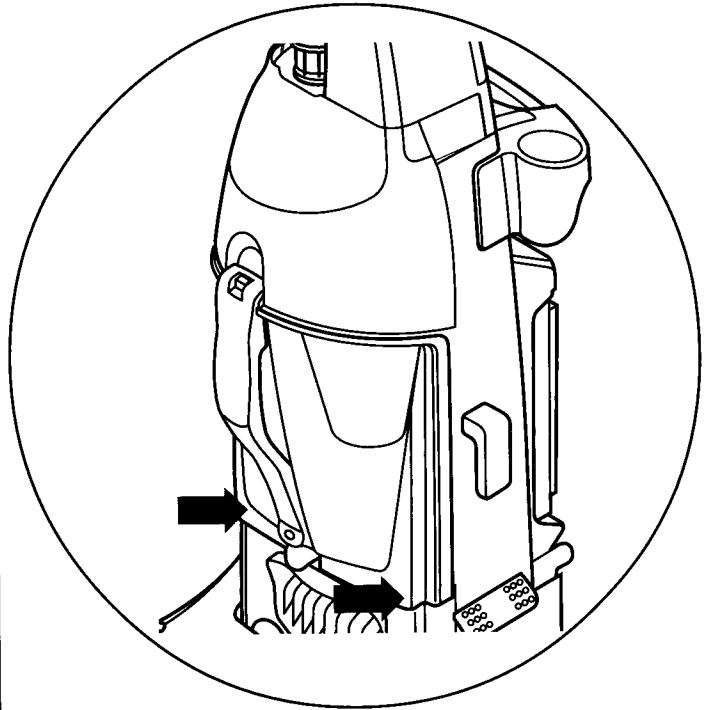


3. From rear of cleaner, align handle with groove and slide onto cleaner. If necessary, use thumb and finger pressure to slide handle into position.
4. Once handle is in place, check that the hose adapter tab is completely secure **under** the ledge of the handle.
5. Attach handle with two 5/8 inch screws in the assembly packet. Use either a slotted or Phillips® head screwdriver.

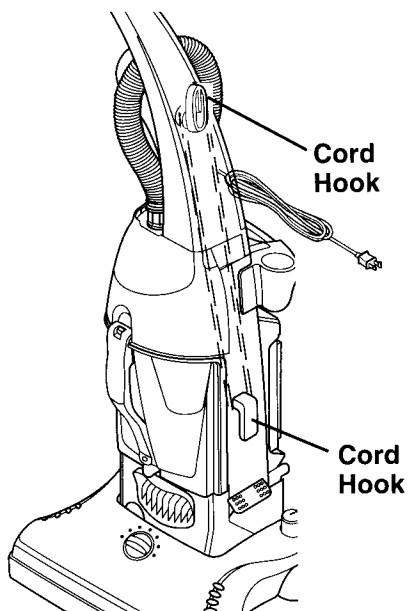
Step C Store Hose and Accessories



Step E Check Cyclonic Cassette



Step D Store Electrical Cord



Make sure that the cyclonic cassette is fully seated in the vacuum. Place thumbs on cyclonic cassette (marked by arrows above) and push firmly until it clicks home.

NOTE: Do not lift cleaner by cassette handle, use carrying handle on the back of cleaner. See illustration in Step C.

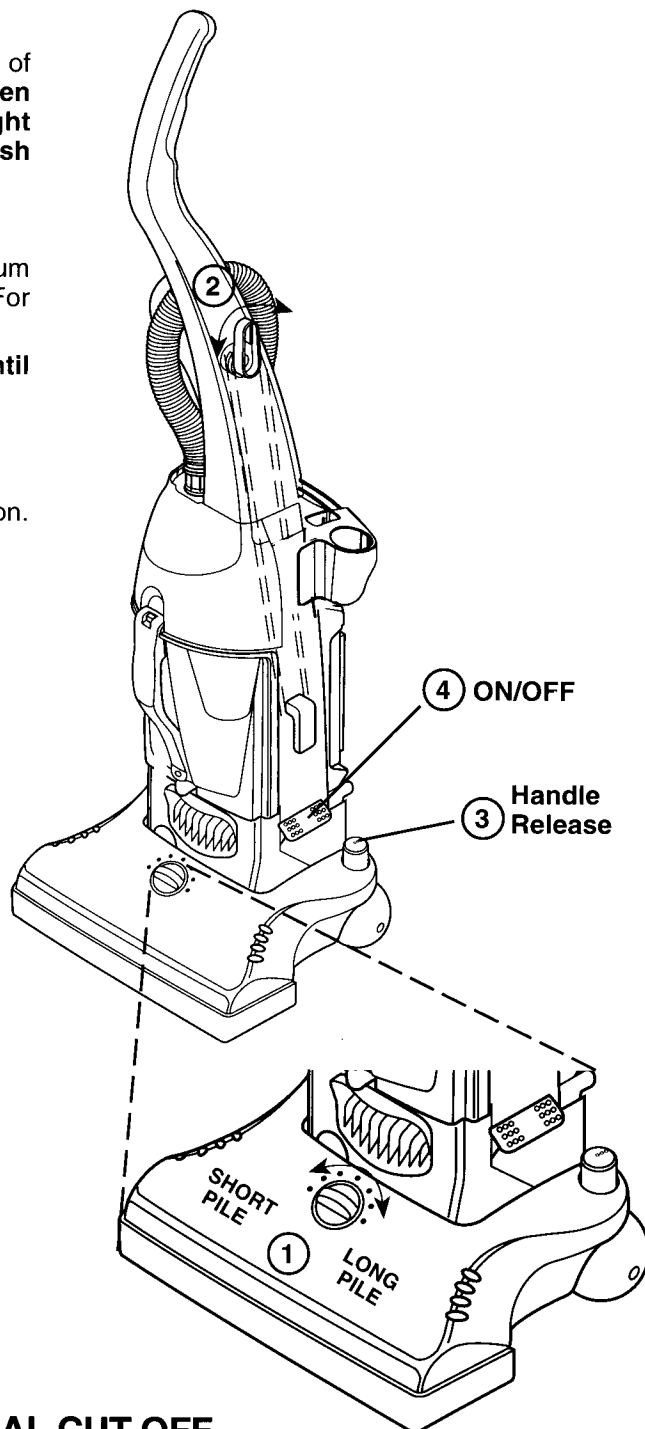
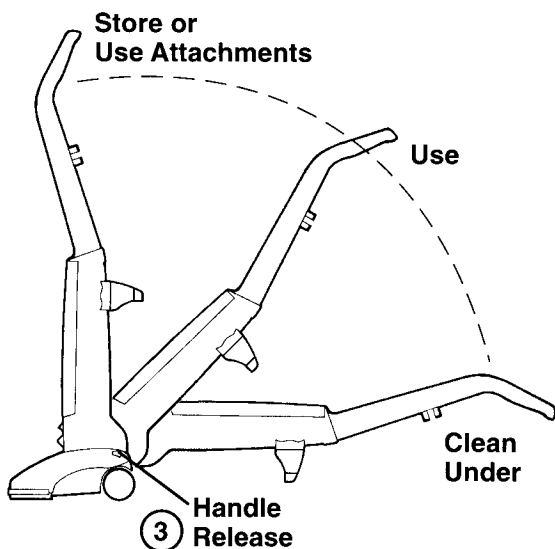
HOW TO USE

The upright vacuum cleaner design allows use on multiple types of carpeting and on upholstery or bare floors with attachments. **When using the attachment tools, place the handle in the upright position. Do not place cleaner on furniture or steps as the brush roll may cause damage.**

1. Adjust cleaner height setting knob to lowest position for maximum cleaning. Adjust to a higher setting to make pushing easier. For easy adjustments, tilt the cleaner back to move the knob.

NOTE: The height of the cleaning head does not change until it is in the operating position.

2. Plug electrical cord into outlet.
3. Step on handle release. Pull handle back to a comfortable position.
4. Push On/Off power switch.



Cleaner Height Setting

WARNING: Avoid injury. Keep loose clothing, hair, fingers, and all other parts of body away from any moving part (such as the revolving brush). Turn off the switch and unplug the cleaner before changing the cleaner height setting.

The front of the cleaner has an adjustment that raises or lowers the cleaner base to match the type of carpet. With the cleaner cord unplugged, set the adjustment to lowest setting for maximum cleaning. If the cleaner is difficult to push, move adjustment to next highest setting until cleaner is comfortable to push. The brush roll must reach the carpet for effective cleaning.

Make each adjustment with cleaner switch off and cord disconnected from outlet. For ease in moving the adjustment knob, place handle in operating position and tilt cleaner back to remove weight from front wheels.

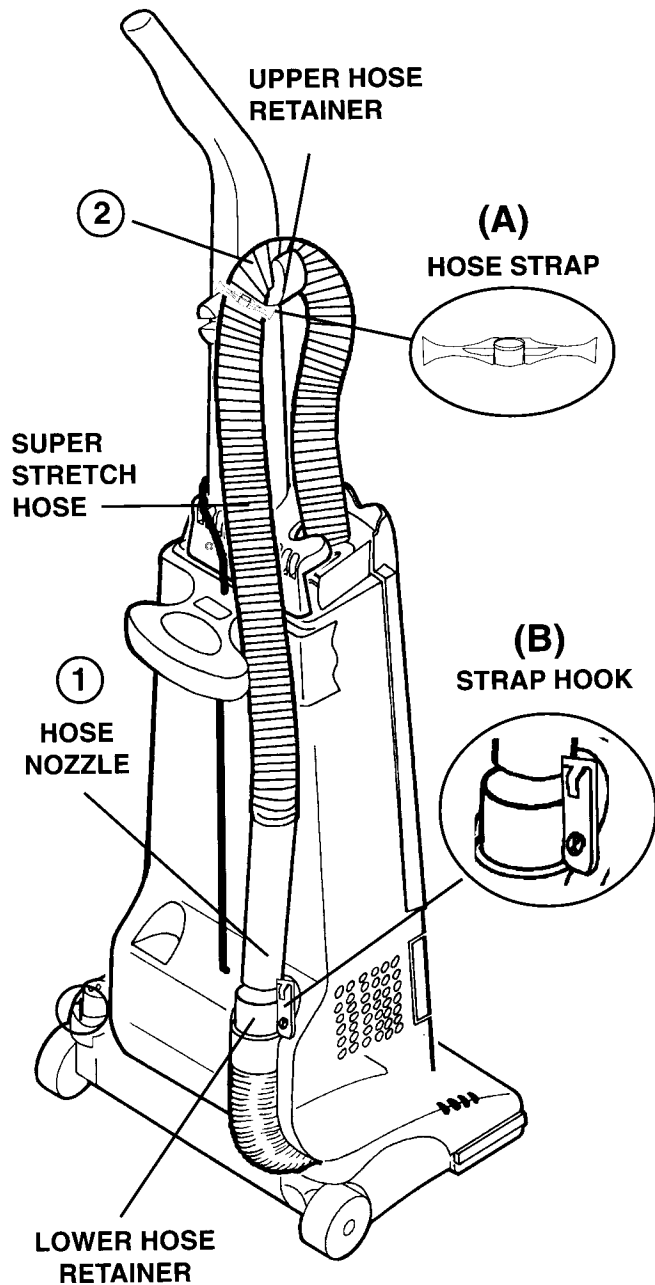
THERMAL CUT OFF

This cleaner has a special thermostat that protects the cleaner in case of motor overheating. If the cleaner suddenly turns off, follow this procedure:

1. Push on/off pedal once.
2. Unplug cleaner.
3. Check for source of overheating problem (i.e. full cyclonic cassette, clogged hose or clogged filter).
4. If a full cyclonic cassette, clogged hose or clogged filter is found, empty the cyclonic cassette, unclog the hose or replace the filters.
5. Wait at least 30 minutes before attempting to reuse the cleaner.
6. After 30 minute cool down period, plug the cleaner in and push the switch pedal. The cleaner should turn on.
7. If the cleaner still does not operate, please call Electrolux on 08706 055055 for assistance.

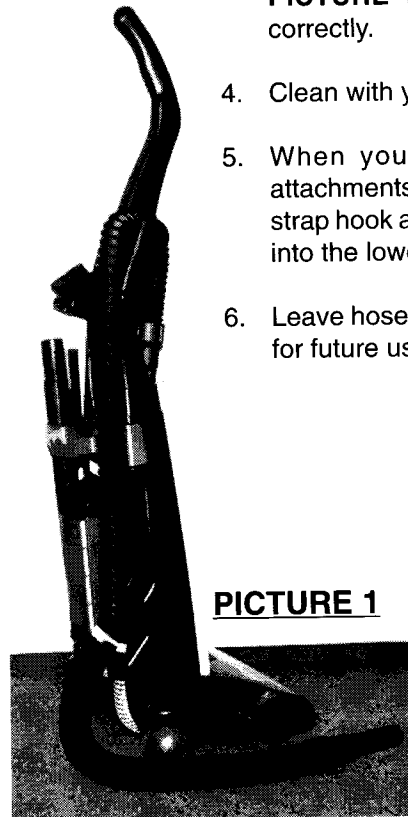
SUPER STRETCH HOSE (Only available on Stairmaster models.)

The super stretch hose has a new added feature. A hose strap has been added to the super stretch hose for ease of use while cleaning with the attachments. By hooking the hose strap into the strap hook before using your attachments, you will improve the mobility of your vacuum when extending the super stretch hose to its maximum reach (except Z1373).



TO HOOK HOSE STRAP (A) ONTO STRAP HOOK (B), START AT STEP 1

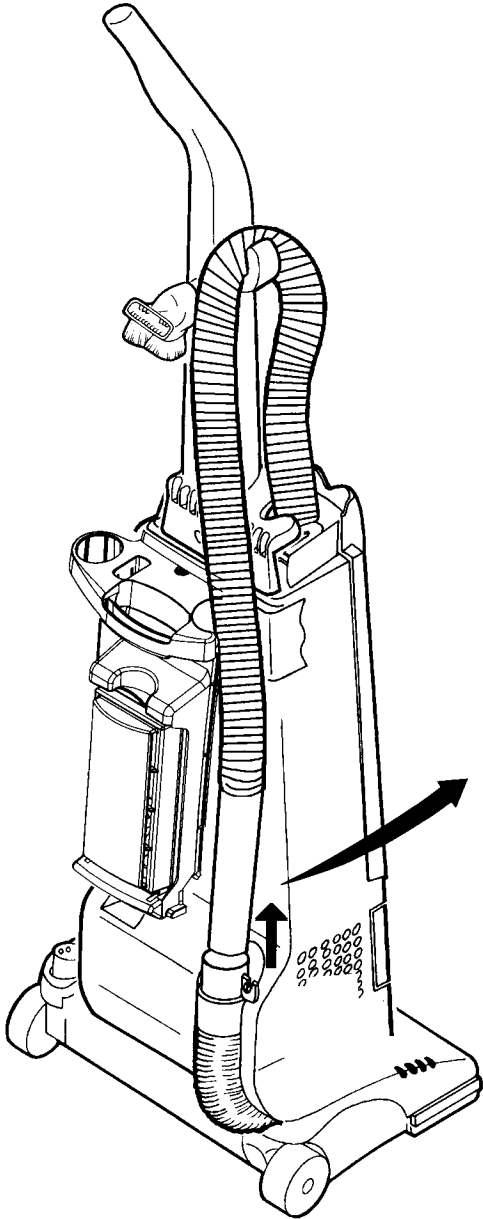
1. When you are ready to use the attachments, pull the hose nozzle out of the lower hose retainer.
2. Grasp the hose near the upper hose retainer.
 - a. Be sure to leave the hose cradled in the hose retainer.
 - b. Leave hose strap in place on hose.
3. Pull and stretch hose down so hose strap (A) can be attached to the strap hook (B). Your cleaner will look like **PICTURE 1** below when completed correctly.
4. Clean with your attachments as usual.
5. When you are through using the attachments, take the hose strap off the strap hook and replace the hose nozzle into the lower hose retainer.
6. Leave hose strap in place around hose for future use.



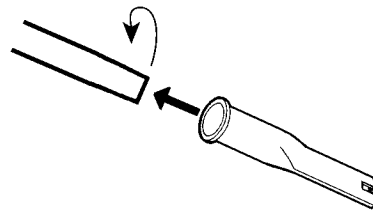
How To Use Accessories

NOTE: Do not place cleaner on furniture or steps as the brush roll may cause damage. Place cleaner on floor with the handle in storage position while using accessories.

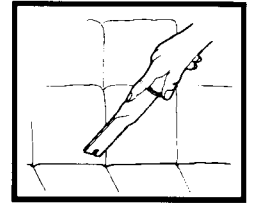
1. Remove hose from rear of cleaner.



Crevice tool cleans corners, baseboards, between cushions.

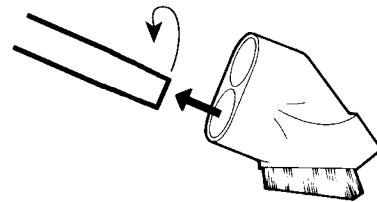


Crevice Tool

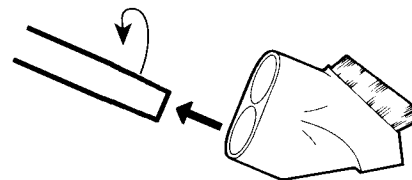
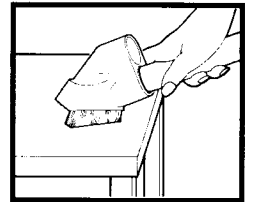


Combination tool gives two types of cleaning tools:

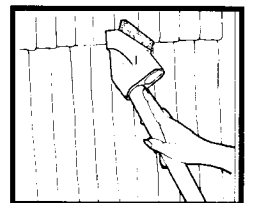
- Use brush side to dust furniture, blinds, books, lamps, shelves.
- Use upholstery side for curtains, draperies, cushions, fabrics.



Dusting Side

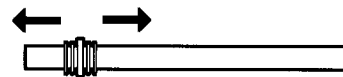


Upholstery Side

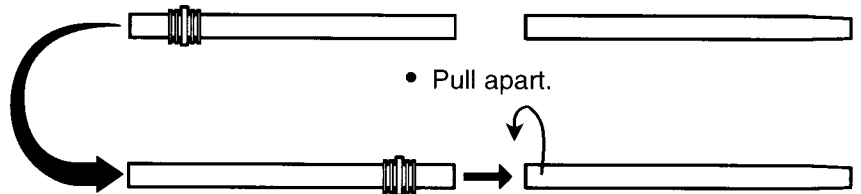


Extension wands

Nested extension wands to add reach.



- Grasp both wands near ridges.



- Pull apart.

- Turn ridge end to center.

- Push wands together.

Turbo Nozzle (Models Z1379, Z1498 only)

Simply attach to hose or extension wand for effective above floor cleaning. i.e. stair treads and furniture.

HOW TO MAINTAIN

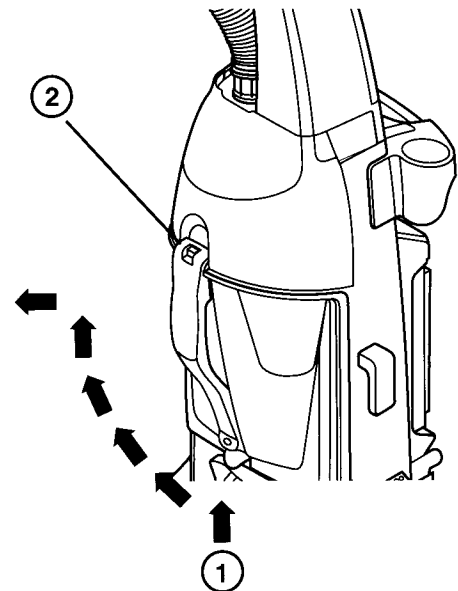
The instructions in this booklet serve as a guide to routine maintenance. To avoid unnecessary service calls, check the cyclonic cassette, belt, and brush roll often.

To Change Cassette Micron Filter:

NOTE: Turn off the switch and unplug the electrical cord before changing the Cassette Micron Filter. Never operate the vacuum cleaner without the cyclonic cassette or the filter.

To Remove the Cyclonic Cassette:

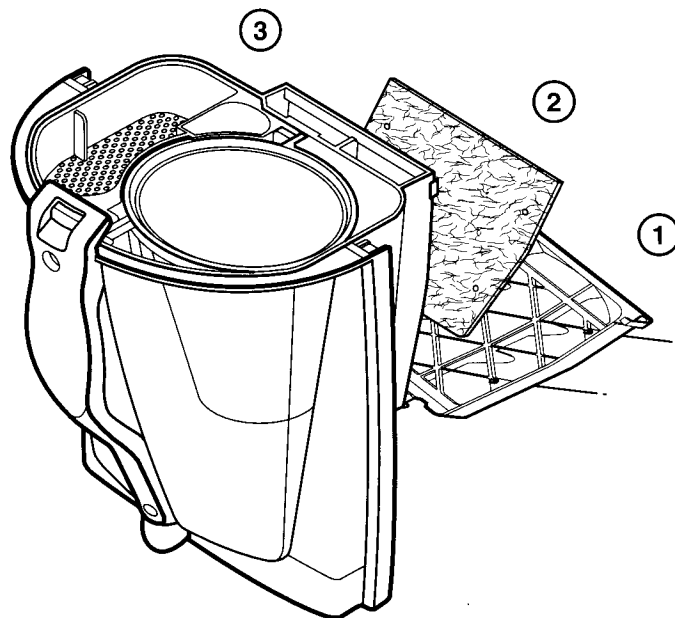
Remove cyclonic cassette by pushing up lever (1), unhooking (2) by swinging outward from vacuum body. When replacing cyclonic cassette, hook at top where shown (2), and swing back into place until lever (1) snaps into place.



Check and clean the Cassette Micron Filter once a month to maintain good performance. The filter can be cleaned by vacuuming with another cleaner or brushing dust off into the dust bin. Recommended changing of the Cassette Micron Filter is once every three months.

To change the Cassette Micron Filter:

1. Remove the filter frame by grasping the handle on the back of the filter frame and pulling firmly. The filter frame will drop down staying connected at the hinges on the bottom.
2. Remove old filter and replace with a new filter.
3. Reconnect filter frame to cassette body by swinging filter frame up and pushing against cassette body until it snaps into place.



1. Filter Frame
2. Filter
3. Cassette Body

Use **GENUINE ELECTROLUX** replacement filter. Look for the Genuine Electrolux product symbol. Call Electrolux on 08706 055055 for assistance.

HOW TO MAINTAIN (continued)

How To Empty Cyclonic Cassette

NOTE: Turn off the switch and unplug the electrical cord before emptying cyclonic cassette. Never operate the vacuum cleaner without the cyclonic cassette or the filter.

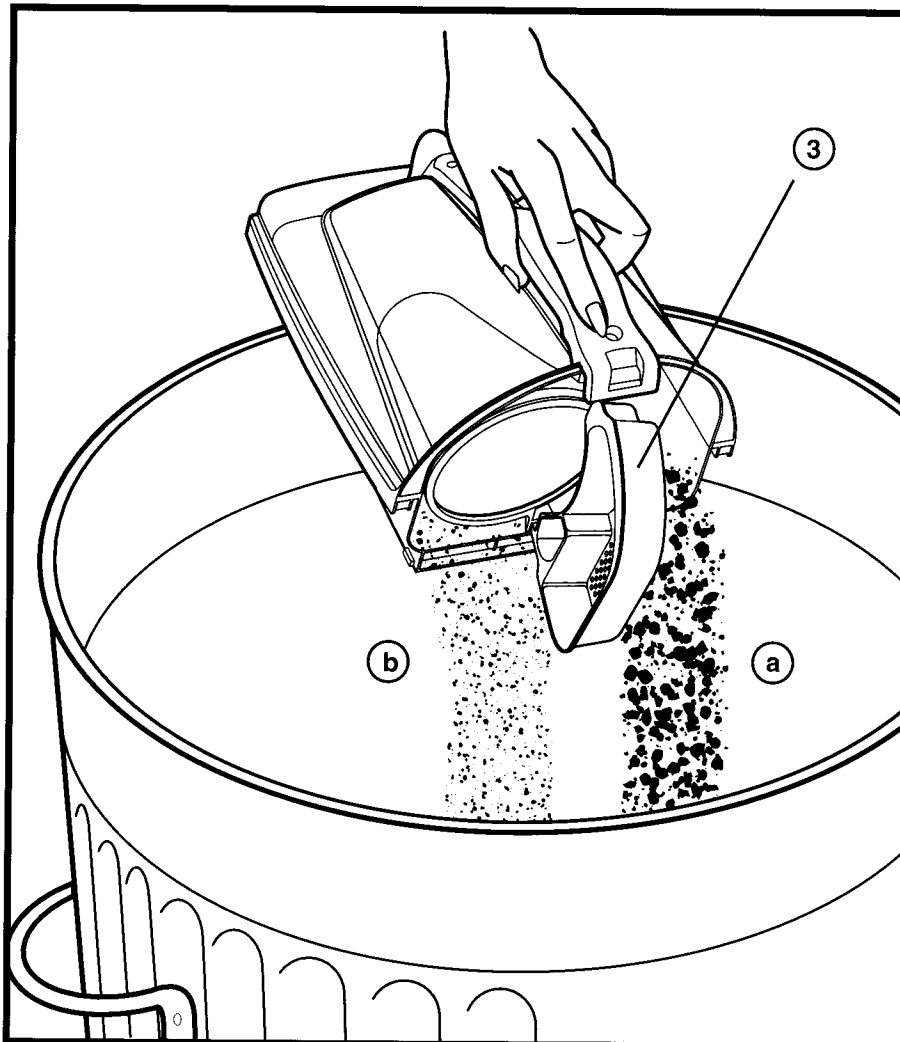
FOR INSTRUCTIONS ON HOW TO REMOVE THE CYCLONIC CASSETTE FROM THE CASSETTE BODY, REFER TO PAGE 10.

Emptying the Cyclonic Cassette

It is clearly visible when the dust compartment is full and needs emptying. Lift screen as shown (3) to completely empty cyclonic cassette.

NOTE: The compartment with the screen (a) will fill much faster with larger dirt particles than the compartment with the cone (b). This is normal, empty the cyclonic cassette when the side with the screen is full, do not wait for the side with the cone to fill completely.

CAUTION: The cyclonic cassette can be washed in warm water, **but** strong detergents should not be used. Dry **thoroughly** before using again.



HOW TO MAINTAIN (continued)

Brush Roll

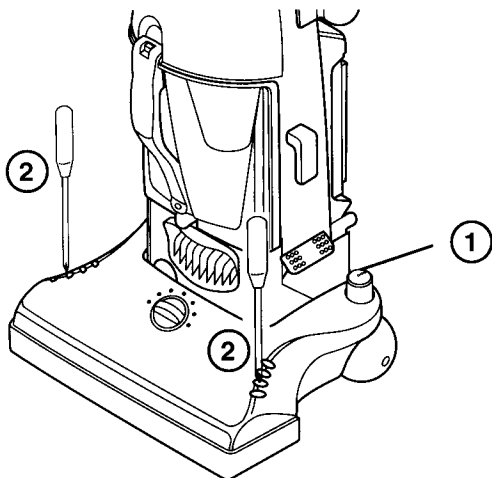
The brush roll turns as it sweeps and combs the carpet nap. Remove hair and threads from the brush roll so it continues brushing the carpet. To maintain the most efficient cleaning, the bristles must touch the carpet. To test the bristle length, hold a ruler against the underneath side of the cleaner. If the bristles no longer touch the ruler, replace the brush roll.

Brush Roll Belt

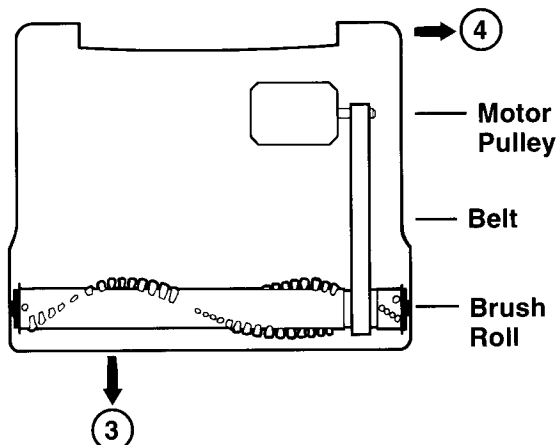
The brush roll belt turns the brush roll to agitate, sweep, and comb the carpet nap. Check the belt regularly to be sure it is in good condition. Replace the belt if it stretches, cracks or loses tension. Cut away any hair or threads wound around the brush roll or the belt pulley because the buildup could cause the belt to rotate unevenly.

How To Replace Brush Roll Belt

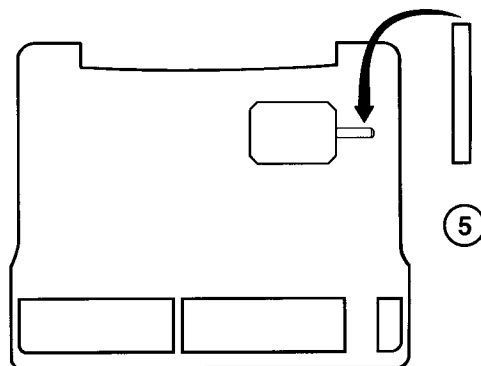
NOTE: Turn off the switch and unplug the electrical cord before replacing belt. Belt pulleys can become hot during normal use. To prevent injury, avoid touching the motor pulley when checking the belt.



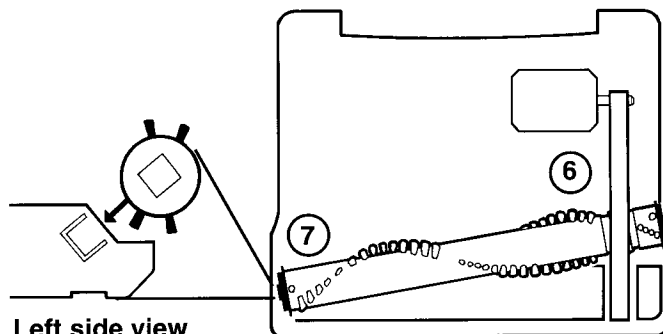
1. Lower handle to floor to change belt.
2. Loosen, but do not remove, two screws to release hood. Lift hood to remove.



3. Lift left end of brush roll.
4. Remove and discard belt.

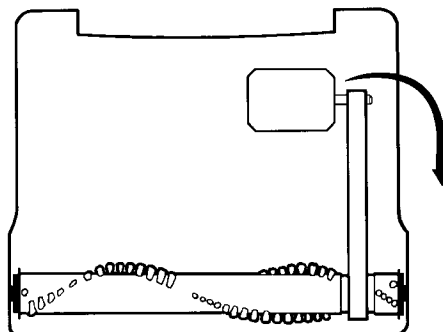


5. Place new belt around motor pulley.

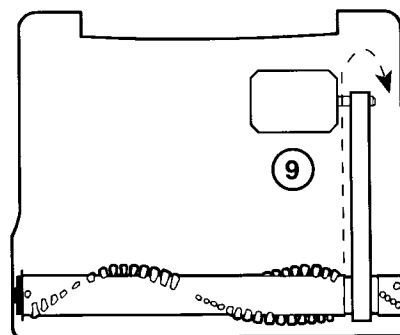


Left side view

6. Place belt around brush roll pulley.
7. Align left end cap with square in base. Push end cap into place; see left side view.



8. Pull right side of brush roll to stretch belt. Secure right end cap into base.



9. Rotate brush roll to seat belt.
10. Replace the hood. Make sure hood front is behind furniture guard. Hood should seat onto self-locating screw tabs.
11. Tighten screws.

Use GENUINE ELECTROLUX replacement belt. Call Electrolux on 08706 055055 for assistance.

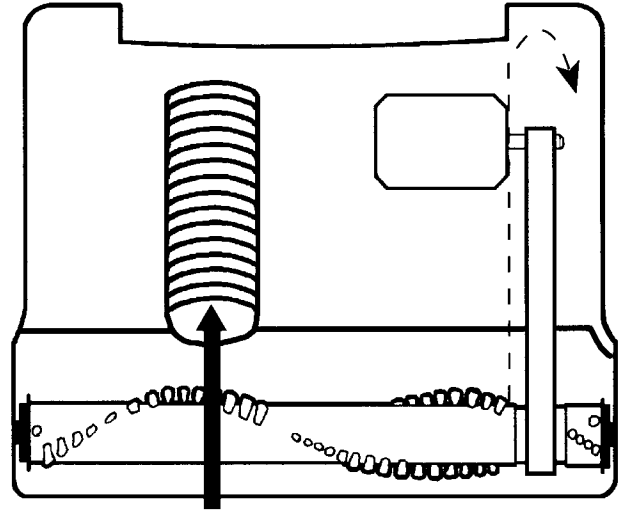
HOW TO MAINTAIN (continued)

How to Clear Hose Blockage

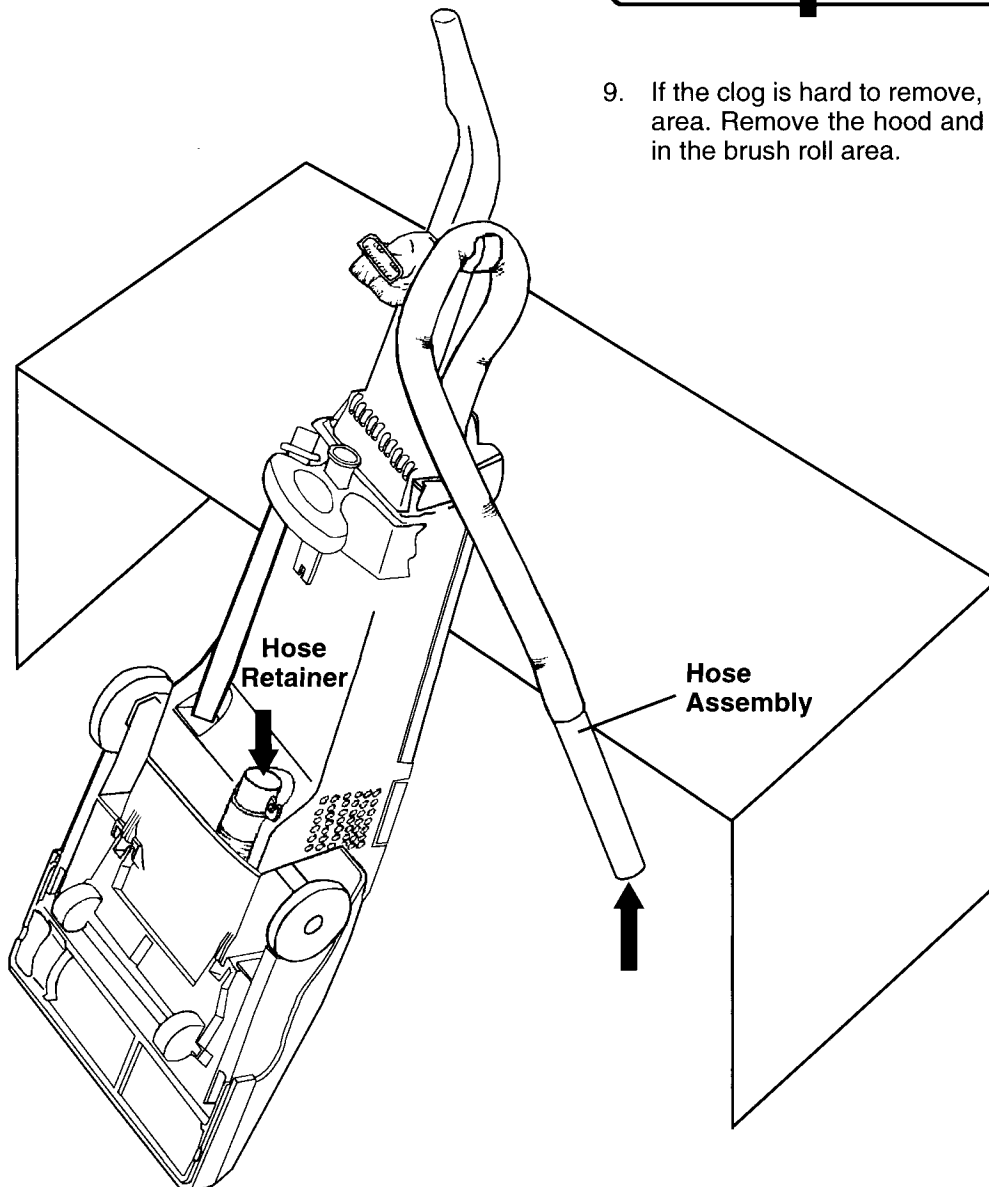
Note: Turn off the switch and unplug the electrical cord before clearing hose.

1. Step on handle release.
2. Lower handle until cleaner is flat on the floor.
3. Turn the cleaner over so back side faces up.
4. Lift cleaner and rest it against a support or counter.
5. Pull the end of the hose from the hose retainer.
6. Check for blockage in the hose retainer and the hose assembly.
7. Use a tool that will not puncture the hose. Clear any debris from the hose retainer or the hose assembly that could restrict the air movement.

8. Flexing the hose may help loosen the clog.



9. If the clog is hard to remove, check the brush roll area. Remove the hood and clear the hose inlet in the brush roll area.



HOW TO MAINTAIN (continued)

Motor Filter

Check the motor filter each time the cyclonic cassette is emptied. Clean or replace as needed.

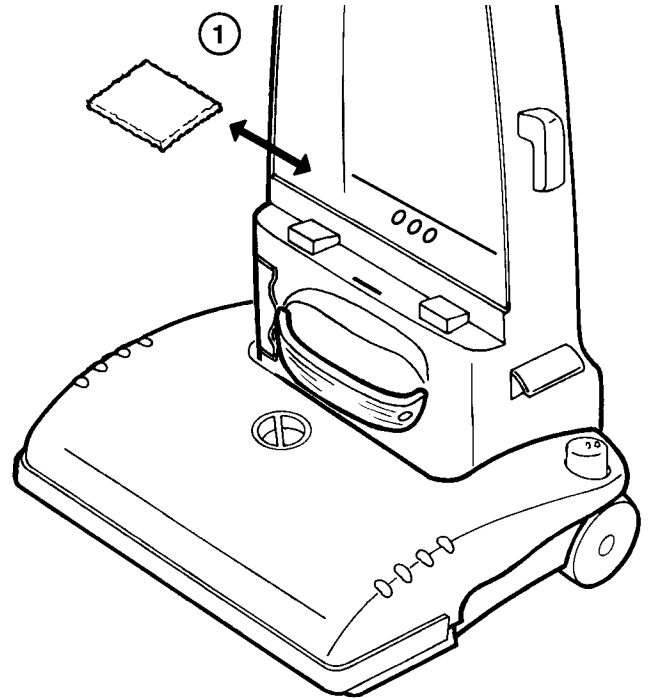
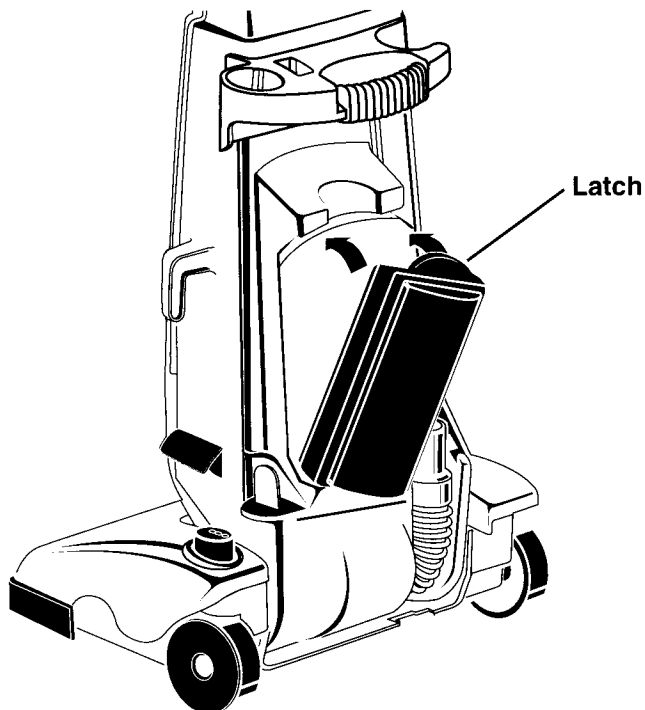
To Clean Motor Filter

1. Remove filter from inside cassette compartment, lower left side.
2. Shake filter to remove excess dust. If necessary, rinse the filter under warm running water.
3. Reinstall filter when completely dry.

Use **GENUINE ELECTROLUX** replacement motor filter. Call Electrolux on 08706 055055 for assistance.

HEPA Filter (Except Z1373)

Check the HEPA filter each time the cyclonic cassette is emptied. We recommend replacing every 18 months depending on useage.



To remove HEPA Filter

1. Push down latch and pull HEPA filter back.
2. Then lift filter up and remove.

To replace HEPA Filter

1. Place bottom tabs of filter into slots.
2. Rotate filter toward cleaner.
3. Push upward on the latch to secure into place.

To replace Micron Filter (Z1373)

Check the Micron filter each time the cassette is emptied.

Follow the same instructions to remove/replace as per HEPA filter cartridge.

Use **GENUINE ELECTROLUX** replacement HEPA filter. Call Electrolux on 08706 055055 for assistance.

PROBLEM SOLVING

NOTE: Turn off the switch and unplug the electrical cord before servicing.

PROBLEM	CAUSE	SOLUTION
Motor will not start.	<input checked="" type="checkbox"/> Electric Plug	<input type="checkbox"/> Push plug securely into outlet. <input type="checkbox"/> Try another outlet. <input type="checkbox"/> Check circuit breaker.
Motor suddenly stops.	<input checked="" type="checkbox"/> Thermal Cut Off	<input type="checkbox"/> Refer to page 7.
Does not clean the carpet or floor.	<input checked="" type="checkbox"/> Filters <input checked="" type="checkbox"/> Cyclonic Cassette <input checked="" type="checkbox"/> Belt <input checked="" type="checkbox"/> Belt Cap <input checked="" type="checkbox"/> Brush Roll <input checked="" type="checkbox"/> Hose	<input type="checkbox"/> Clean or replace the filter(s). Hint: If picking up fine dust, the filter may <u>not</u> look dirty but a fine substance tends to reduce suction when it blocks the airflow through the filter(s). <input type="checkbox"/> Be sure hose adapter inserts into cyclonic cassette. <input type="checkbox"/> Be sure the cyclonic cassette is properly seated into the cassette body. See page 6. <input type="checkbox"/> Empty cyclonic cassette. Note: There are two chambers in the cyclonic cassette. The chamber with the screen will fill much faster than the chamber with the cone. This is normal, when the chamber with the screen is full, empty cyclonic cassette, do not wait till the chamber with the cone is full. See page 11. <input type="checkbox"/> Replace a cut, loose or out of shape belt. <input type="checkbox"/> Snap the belt cap inside the hood if it comes loose. <input type="checkbox"/> Clean hair and thread from bristles and end cap area. Replace brush roll if bristles are worn. <input type="checkbox"/> Remove any clogs from the hose that restrict the airflow. Check short hose in the base and long hose. Refer to page 13.
No suction at the end of the hose.	<input checked="" type="checkbox"/> Hose Adapter <input checked="" type="checkbox"/> Filter(s) <input checked="" type="checkbox"/> Hose	<input type="checkbox"/> Hose adapter has to seat inside the cyclonic cassette. Hint: Put the hose in place before attaching the handle. The handle secures the hose. <input type="checkbox"/> Clean or replace the filter(s). Hint: If picking up fine dust, the filter may <u>not</u> look dirty, but a fine substance tends to reduce suction when it blocks the airflow through the filter(s). <input type="checkbox"/> Remove any clogs from the hose that restrict the airflow. Check short hose in the base and long hose. Refer to page 13.
Noise from the brush roll area.	<input checked="" type="checkbox"/> Brush Roll <input checked="" type="checkbox"/> Belt	<input type="checkbox"/> Remove hood and clean debris or items from the brush roll area. <input type="checkbox"/> Replace a cut, loose or out of shape belt.
Cleaner is hard to push.	<input checked="" type="checkbox"/> Cleaner Height Setting <input checked="" type="checkbox"/> Belt	<input type="checkbox"/> Put handle in operating position. Tilt the cleaner back to raise the front wheels off floor. Then turn the knob to a higher setting. <input type="checkbox"/> Replace a cut, loose or out of shape belt.
Cleaner height knob will not turn.	<input checked="" type="checkbox"/> Cleaner Height Setting	<input type="checkbox"/> Hint: Put handle in operating position. Tilt the cleaner back to raise the front wheels off floor. <input type="checkbox"/> Then turn the knob.



MAIL ORDER FORM

Should you experience difficulty in obtaining original spares from your local stockist, may we suggest that you make use of this order form.

Please fill in following details

Model No: _____

Product No: _____

Name: _____

Address: _____

_____ Postcode: _____

IMPORTANT, be sure to include your Model and Product numbers.
These numbers may be found on your rating plate.

To order by Phone, call: 08706 055055 Hours: Between 9:00 am to 4:00 pm
Post, simply fill out this order form and send to the address printed at the bottom.

Part No.	Qty.	Price Inc. VAT	Total
----------	------	----------------	-------

Original Belts, Filters

Cyclonic Filter Pack EF60C	1052219555		5.87	
HEPA Filter EF60H	1052211552		19.99	
Drive Belts, pack of 2	345433007		2.99	
Micron Filter Z1373				

Accessory Tools (tools are a friction fit, black plastic unless other noted)

Extension tubes (pair)	345435002		2.94	
Combination tool Use as dusting tool or upholstery tool.	345437008		5.46	
Crevice Nozzle	345436000		3.45	

Hoses

Deluxe stretch hose assembly	345725006		16.06	
------------------------------	-----------	--	-------	--

Brush Rolls

Brush Roll 14"	345726004		16.45	
Brush Roll 12"	345841001		15.27	

Total £

Method of payment:

Please Tick: Credit Card Postal Order Cheque

Please Tick: Access Visa Mastercard

Card Number:

Card Expiry Date:

Please make cheque payable to Electrolux.

Your Signature: _____ Date: _____

After Sales, 101 Oakley Road, Luton Beds, LU4 9QQ

Prices are correct at the time of publication.

Guarantee

This guarantee is in addition to your statutory and other legal rights.

Electrolux products are carefully designed, manufactured, tested and inspected and, in consequence, we undertake to replace or repair any part found to be defective in material or workmanship, within one year of delivery to the original purchaser, free of charge.

There are certain conditions which may invalidate this guarantee:

- a. It is dependent upon the appliance being correctly installed and used in accordance with the Company's instructions under normal domestic conditions within the United Kingdom or the Republic of Ireland.
- b. Service at all times must be carried out by an Electrolux Service Representative or authorised agent.
- c. The guarantee may be invalidated by unauthorised repair or modification of the appliance.

The Company does not accept liability for defects arising from neglect, misuse or accident. This guarantee excludes such normal wearing parts as drive belts, brushes and dust bags as the life of these depends upon the amount and nature of use.

Proof of the date of purchase will be required before service under guarantee is provided. Addresses and telephone numbers for service requests are listed on the Service Centre leaflet.

Important:

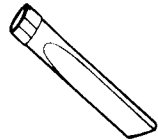
For future reference we suggest you record the following details here, and keep the receipt with the handbook as proof of purchase.

Purchased from _____

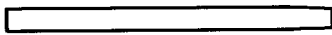
Date purchased _____ Model no _____

Questions?
Call
08706 055055

Accessory Items in This Carton



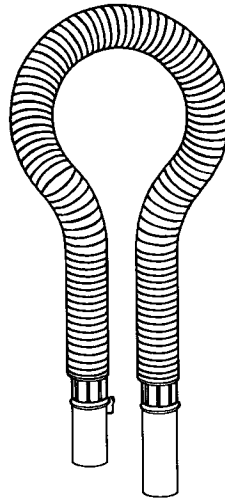
1 crevice tool



1 wand



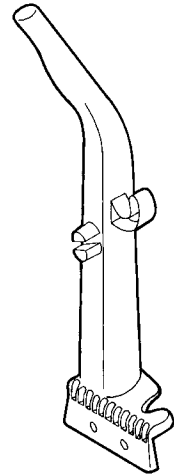
1 hardware package
(2 screws)



1 hose assembly



1 combination tool



1 vacuum cleaner handle

Thank you for selecting an Electrolux cleaner.

**Don't Forget to Use
Genuine Electrolux
Belts and Filters**