

# Specifications

## Engine

### 444J

Manufacturer and Model	John Deere PowerTech E™ 4045H
Non-Road Emission Standards	certified to EPA Tier 3 emissions
Cylinders	4
Valves Per Cylinder	2
Displacement	276 cu. in. (4.5 L)
Net Peak Power (ISO9249)	128 hp (95 kW) @ 2,000 rpm
Net Peak Torque (ISO9249)	380 lb.-ft. (515 Nm) @ 1,400 rpm
Net Torque Rise	32%
Fuel System	high-pressure common rail
Lubrication	full-flow spin-on filter and integral cooler
Aspiration	turbocharged, charge air cooled
Air Cleaner	dual element dry type, restriction indicator in cab monitor for service
Fan Drive	hydraulically driven, proportionally controlled, fan aft of coolers
Electrical System	24 volt with 80-amp alternator
Batteries (two 12 volt)	950 CCA

## Transmission

Type	countershaft-type PowerShift™	
Torque Converter	single stage, single phase	
Shift Control	electronically modulated, adaptive, load and speed dependent	
Operator Interface	steering-column or hydraulic joystick-mounted F-N-R and gear-select lever, kick-down button on hydraulic lever	
Shift Modes	quick-shift button with two selectable modes: auto/manual, auto to 1st or 2nd, kick down or kick down/up, three clutch cutoff settings adjustable on switch pad	
Travel Speeds*	<i>Forward</i>	<i>Reverse</i>
Gear 1	4.5 mph (7.2 km/h)	4.7 mph (7.6 km/h)
Gear 2	7.7 mph (12.4 km/h)	8.1 mph (13.0 km/h)
Gear 3	14.9 mph (24.0 km/h)	15.7 mph (25.3 km/h)
Gear 4	23.4 mph (37.7 km/h)	

\*Equipped with 17.5-25 tires.

## Axles/Brakes

Final Drives	heavy-duty mid-board planetary
Differentials	hydraulic locking front, conventional rear — standard; dual locking front and rear — optional
Rear Axle Oscillation, Stop to Stop*	24 deg.
Brakes (conform to SAE J1473, ISO3450)	
Service Brakes	hydraulically actuated, mid-board, self adjusting, wet multi-disc
Parking Brake	automatic spring applied, hydraulically released, oil cooled, multi-disc

\*Equipped with 17.5-25 tires.

## Tires

Choice of (with three-piece rims)	Tread Width	Width Over Tires	Change In Vertical Height
17.5 R 25, L-3T	74.8 in. (1900 mm)	92.4 in. (2348 mm)	0 in. (0 mm)
17.5 R 25, L-2	74.8 in. (1900 mm)	92.9 in. (2360 mm)	- 0.1 in. (- 3 mm)
17.5-25, 12 PR L-3	74.8 in. (1900 mm)	92.8 in. (2357 mm)	+ 0.1 in. (+ 3 mm)
17.5-25, L-2*	74.8 in. (1900 mm)	92.8 in. (2357 mm)	+ 0.1 in. (+ 3 mm)
17.5-25, L-2	74.8 in. (1900 mm)	92.8 in. (2357 mm)	+ 0.1 in. (+ 3 mm)
20.5-25, 12 PR L-2	76.8 in. (1950 mm)	98.1 in. (2492 mm)	+ 3.6 in. (+ 91 mm)
20.5-25, 1 Star L-2 Radial	76.8 in. (1950 mm)	97.7 in. (2482 mm)	+ 2.6 in. (+ 67 mm)
550/65 R 25, 1 Star L-2	76.8 in. (1950 mm)	98.0 in. (2490 mm)	+ 1.0 in. (+ 27 mm)

\*Equipped with one-piece rims.

## Refill Capacities (U.S.)

Fuel Tank (with ground-level fueling)	65 gal. (246 L)
Cooling System	20 qt. (19 L)
Engine Oil with Vertical Spin-On Filter	18.5 qt. (17.5 L)

**Refill Capacities (U.S.) (continued) 444J**

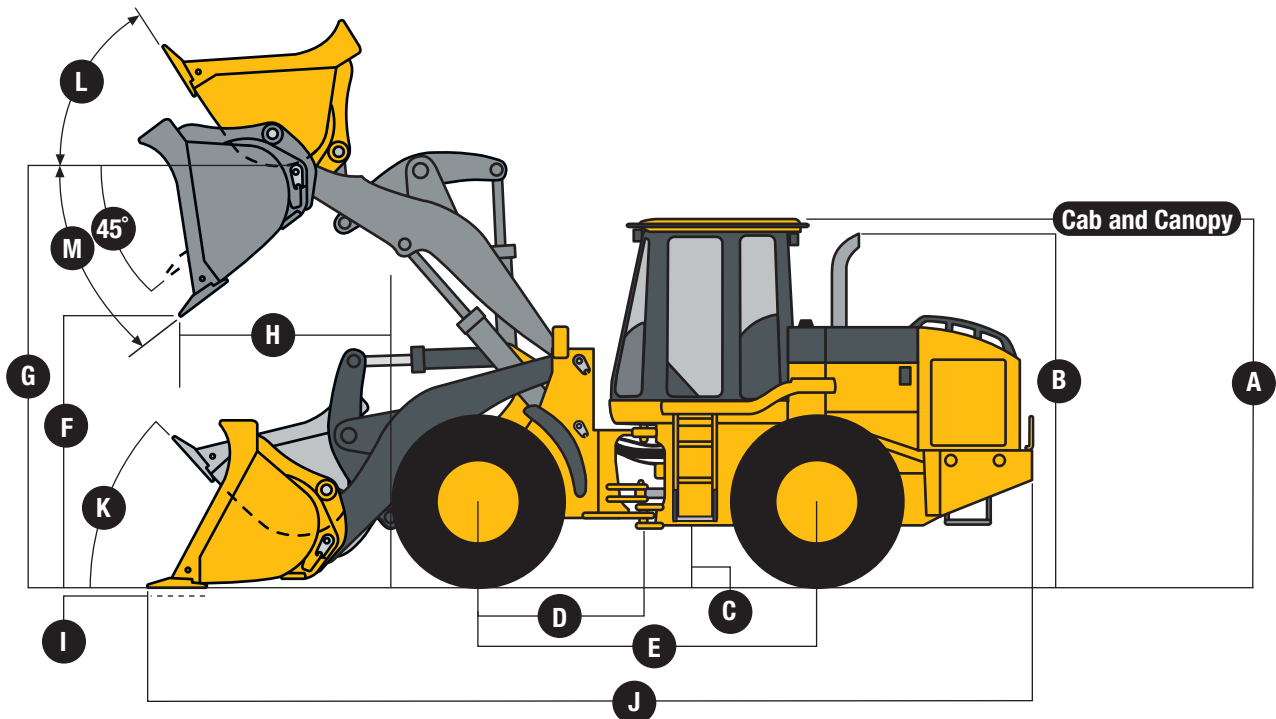
PowerShift Transmission, Including Filter	19.5 qt. (18.5 L)
Differential (front and rear, each axle)	23 qt. (22 L)
Hydraulic Reservoir and Filters	25.5 gal. (96.5 L)
Wet-Disc Parking Brake	10 oz. (0.3 L)

**Hydraulic System/Steering**

Pump (loader and steering)	variable-displacement, axial-piston pump; closed-center, pressure-compensating system	
Maximum Rated Flow	37 gpm (140 L/m) @ 1,000 psi (6895 kPa)	
System Relief Pressure (loader and steering)	3,600 psi (24 821 kPa)	
Loader Controls	two-function valve; single- or dual-lever controls; control lever lockout feature; optional third- and fourth-function valve with auxiliary lever	
Steering (conforms to SAE J1511)		
Type	power, fully hydraulic	
Articulation Angle	80-deg. arc (40 deg. each direction)	
Hydraulic Cycle Times	<i>Standard Z-Bar</i>	<i>High-Lift Z-Bar</i>
Raise	5.6 sec.	5.6 sec.
Dump	1.0 sec.	1.7 sec.
Lower (float down)	2.4 sec.	2.4 sec.
Total	9.0 sec.	9.7 sec.
Maximum Lift Capacity	<i>with 2.0-cu.-yd. (1.5 m³) bucket with bolt-on edge</i>	
Lift at Ground Level	22,403 lb. (10 162 kg)	18,912 lb. (8578 kg)
Lift at Maximum Height	10,719 lb. (4862 kg)	10,575 lb. (4797 kg)
Turning Radius (measured to centerline of outside tire)	15 ft. 5 in. (4.70 m)	15 ft. 5 in. (4.70 m)

**Dimensions with Pin-On Bucket**

	<i>Standard Z-Bar</i>	<i>High-Lift Z-Bar</i>
<b>A</b> Height to Top of Cab and Canopy	10 ft. 5 in. (3.15 m)	10 ft. 5 in. (3.15 m)
<b>B</b> Height to Top of Exhaust	10 ft. 4 in. (3.14 m)	10 ft. 4 in. (3.14 m)
<b>C</b> Ground Clearance	15.6 in. (396 mm)	15.6 in. (396 mm)
<b>D</b> Length from Centerline to Front Axle	4 ft. 6 in. (1.37 m)	4 ft. 6 in. (1.37 m)
<b>E</b> Wheelbase	9 ft. 0 in. (2.75 m)	9 ft. 0 in. (2.75 m)
<b>F</b> Dump Clearance	▲ (see page 17)	▲ (see page 18)
<b>G</b> Height to Hinge Pin, Fully Raised	11 ft. 10 in. (3.61 m)	13 ft. 0 in. (3.96 m)
<b>H</b> Dump Reach	▲▲ (see page 17)	▲▲ (see page 18)
<b>I</b> Maximum Digging Depth	3.4 in. (86 mm)	4.1 in. (104 mm)
<b>J</b> Overall Length	▲▲▲ (see page 17)	▲▲▲ (see page 18)
<b>K</b> Maximum Rollback at Ground Level	39 deg.	39 deg.
<b>L</b> Maximum Rollback, Boom Fully Raised	55 deg.	55 deg.
<b>M</b> Maximum Bucket Angle, Fully Raised	50 deg.	50 deg.



**Dimensions with Quick-Coupler and Hook-On Bucket**

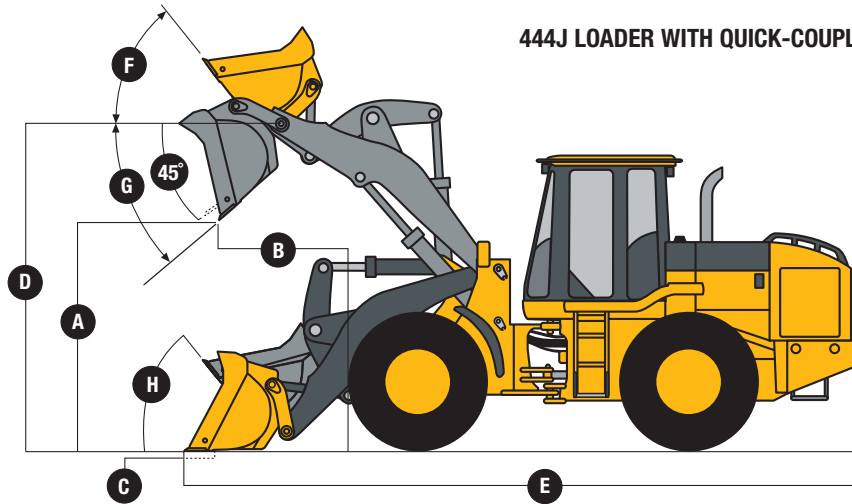
**444J**

*Standard Z-Bar*

*High-Lift Z-Bar*

<b>A</b> Dump Clearance . . . . .	▲ (see page 17)	▲ (see page 18)
<b>B</b> Dump Reach . . . . .	▲▲ (see page 17)	▲▲ (see page 18)
<b>C</b> Maximum Digging Depth . . . . .	3.9 in. (99 mm)	4.7 in. (119 mm)
<b>D</b> Height to Hinge Pin, Fully Raised . . . . .	11 ft. 10 in. (3.61 m)	13 ft. 0 in. (3.96 m)
<b>E</b> Overall Length . . . . .	▲▲▲ (see page 17)	▲▲▲ (see page 18)
<b>F</b> Maximum Rollback, Boom Fully Raised . . . . .	57 deg.	48 deg.
<b>G</b> Maximum Bucket Discharge Angle, Fully Raised . . . . .	54 deg.	49 deg.
<b>H</b> Maximum Rollback at Ground Level . . . . .	38 deg.	38 deg.

**444J LOADER WITH QUICK-COUPLER AND HOOK-ON BUCKET**



**Dimensions with Quick-Coupler and Hook-On Construction Fork**

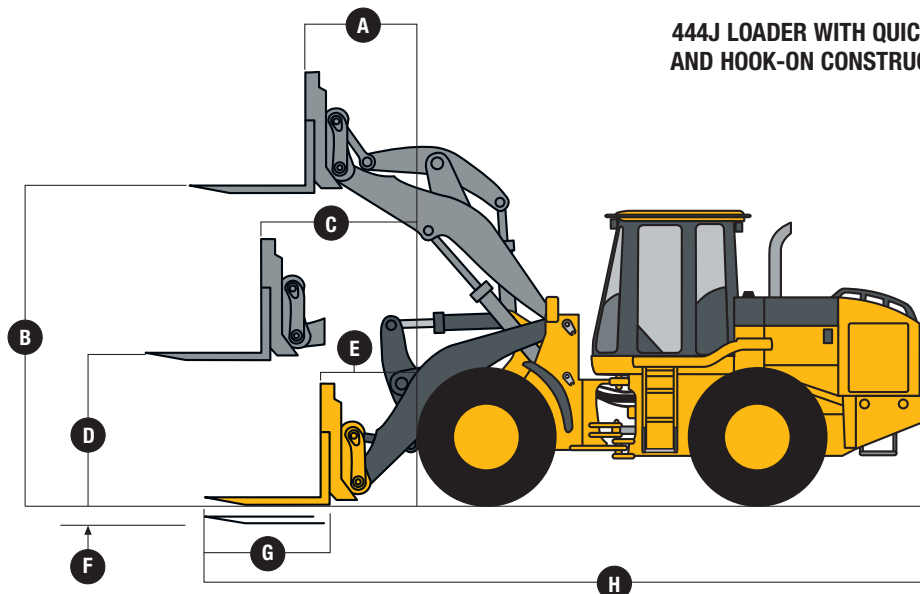
**444J**

*Standard Z-Bar*

*High-Lift Z-Bar*

<b>A</b> Reach, Fully Raised . . . . .	34 in. (0.86 m)	35 in. (0.89 m)
<b>B</b> Fork Height, Fully Raised . . . . .	11 ft. 0 in. (3.35 m)	12 ft. 2 in. (3.71 m)
<b>C</b> Maximum Reach, Fork Level . . . . .	5 ft. 2 in. (1.57 m)	6 ft. 1 in. (1.85 m)
<b>D</b> Fork Height, Maximum Reach . . . . .	5 ft. 4 in. (1.63 m)	5 ft. 4 in. (1.63 m)
<b>E</b> Reach, Ground Level . . . . .	3 ft. 2 in. (0.97 m)	4 ft. 4 in. (1.32 m)
<b>F</b> Depth Below Ground . . . . .	4 in. (102 mm)	4 in. (102 mm)
<b>G</b> Tine Length . . . . .	▲ (see page 18)	▲ (see page 19)
<b>H</b> Overall Length . . . . .	▲▲ (see page 18)	▲▲ (see page 19)

**444J LOADER WITH QUICK-COUPLER AND HOOK-ON CONSTRUCTION FORK**



## Standard Z-Bar Pin-On

### Type Bucket Information

**444J**

Bucket Type/Size	General Purpose w/Bolt-On Edge
Capacity, Heaped SAE	2.5 cu. yd. (1.9 m <sup>3</sup> )
Capacity, Struck SAE	2.1 cu. yd. (1.6 m <sup>3</sup> )
Bucket Weight	1,973 lb. (895 kg)
Bucket Width	8 ft. 4 in. (2.55 m)
Breakout Force, SAE J732C	18,104 lb. (8212 kg)
Tipping Load, Straight	20,554 lb. (9323 kg)
Tipping Load, 40-Deg. Full Turn	18,263 lb. (8284 kg)
Reach, 45-Deg. Dump, 7-ft. (2.13 m)	
Clearance	4 ft. 8 in. (1.42 m)
▲▲ Reach, 45-Deg. Dump, Full Height	3 ft. 4 in. (1.02 m)
▲ Dump Clearance, 45 Deg., Full Height	8 ft. 9 in. (2.67 m)
▲▲▲ Overall Length, Bucket on Ground	22 ft. 2 in. (6.76 m)
Loader Clearance Circle, Bucket In Carry	
Position	36 ft. 3 in. (11.05 m)
Operating Weight	24,561 lb. (11 141 kg)

*Loader operating information is based on machine with standard equipment; cab; rear cast bumper/counterweight; 17.5 R 25 tires; ROPS cab; 175-lb. (79 kg) operator; and full fuel tank. This information is affected by tire size, ballast, and different attachments.*

### Adjustments to Operating Weights with Standard Z-Bar Pin-On Buckets

#### Adjustments to operating weights and tipping loads for 2.5-cu.-yd. (1.9 m<sup>3</sup>) general-purpose bucket with bolt-on cutting edge and optional rear cast bumper/counterweight

Add (+) or deduct (-) lb. (kg) as indicated for	Operating Weight	Tipping Load, Straight	Tipping Load, 40-Deg. Full Turn, SAE
loaders with three-piece rims and			
17.5 R 25, L-3T tires	0 lb. (0 kg)	0 lb. (0 kg)	0 lb. (0 kg)
17.5 R 25, L-2 tires	- 196 lb. (- 89 kg)	- 141 lb. (- 64 kg)	- 138 lb. (- 63 kg)
17.5 R 25, 12 PR L-3 tires	- 426 lb. (- 193 kg)	- 302 lb. (- 137 kg)	- 300 lb. (- 136 kg)
17.5-25, L-2 tires*	- 625 lb. (- 283 kg)	- 445 lb. (- 202 kg)	- 441 lb. (- 200 kg)
17.5-25, L-2 tires	- 364 lb. (- 165 kg)	- 258 lb. (- 117 kg)	- 256 lb. (- 116 kg)
20.5-25, 12 PR L-2 tires**	+ 328 lb. (+ 149 kg)	+ 256 lb. (+ 116 kg)	+ 251 lb. (+ 114 kg)
20.5-25, 1 Star L-2 Radial tires**	+ 514 lb. (+ 240 kg)	+ 388 lb. (+ 176 kg)	+ 381 lb. (+ 173 kg)
550/65 R 25, 1 Star L-2 tires**	+ 443 lb. (+ 201 kg)	+ 337 lb. (+ 153 kg)	+ 333 lb. (+ 151 kg)
CaCl <sub>2</sub> in 17.5-25 rear tires**	+ 1,184 lb. (+ 537 kg)	+ 1,684 lb. (+ 764 kg)	+ 1,486 lb. (+ 674 kg)
Optional rear cast bumper/counterweight (removed)	- 229 lb. (- 104 kg)	- 461 lb. (- 209 kg)	- 368 lb. (- 176 kg)

\*Equipped with one-piece rims.

\*\*CaCl<sub>2</sub> not recommended with 20.5 R2 5, 20.5-25, and 65 R 25 tires.

### Standard Z-Bar Information with Quick-Coupler and Hook-On Bucket

Bucket Type/Size	General Purpose w/Bolt-On Edge	General Purpose w/Bolt-On Edge
Capacity, Heaped SAE	2.5 cu. yd. (1.9 m <sup>3</sup> )	2.0 cu. yd. (1.5 m <sup>3</sup> )
Capacity, Struck SAE	2.1 cu. yd. (1.6 m <sup>3</sup> )	1.6 cu. yd. (1.2 m <sup>3</sup> )
Bucket Weight (with coupler)	2,756 lb. (1250 kg)	2,654 lb. (1204 kg)
Bucket Width	8 ft. 4 in. (2.55 m)	8 ft. 4 in. (2.55 m)
Breakout Force, SAE J732C	14,762 lb. (6696 kg)	15,765 lb. (7151 kg)
Tipping Load, Straight	18,541 lb. (8410 kg)	18,309 lb. (8305 kg)
Tipping Load, 40-Deg. Full Turn, SAE	16,395 lb. (7437 kg)	16,398 lb. (7348 kg)
Reach, 45-Deg. Dump, 7-ft. (2.13 m)		
Clearance	4 ft. 11 in. (1.49 m)	4 ft. 10 in. (1.46 m)
▲▲ Reach, 45-Deg. Dump, Full Height	3 ft. 10 in. (1.16 m)	3 ft. 8 in. (1.11 m)
▲ Dump Clearance, 45 Deg., Full Height	8 ft. 4 in. (2.54 m)	8 ft. 6 in. (2.58 m)
▲▲▲ Overall Length, Bucket on Ground	22 ft. 10 in. (6.96 m)	22 ft. 7 in. (6.88 m)
Loader Clearance Circle, Bucket In Carry		
Position	39 ft. 9 in. (12.12 m)	36 ft. 6 in. (11.13 m)
Operating Weight	25,386 lb. (11 515 kg)	25,283 lb. (11 486 kg)

*Loader operating information is based on machine with standard equipment; cab; rear cast bumper/counterweight; 17.5 R 25 tires; ROPS cab; 175-lb. (79 kg) operator; and full fuel tank. This information is affected by tire size, ballast, and different attachments.*

## Standard Z-Bar Information with Quick-Coupler and Hook-On Construction Fork

444J

▲ Tine Length	48 in. (1.22 m)	60 in. (1.52 m)
▲▲ Overall Length	24 ft. 4 in. (7.42 m)	25 ft. 4 in. (7.72 m)
Tipping Load, Straight (fork level, load centered 24 in. [610 mm] forward on tine)	13,693 lb. (6211 kg)	12,696 lb. (5759 kg)
Tipping Load, 40-Deg. Full Turn (fork level, load centered 24 in. [610 mm] forward on tine)	12,144 lb. (5508 kg)	11,228 lb. (5093 kg)
Operating Weight	24,787 lb. (11 243 kg)	25,122 lb. (11 395 kg)

## High-Lift Z-Bar Pin-On-Type Bucket Information

Bucket Type/Size	General Purpose w/Bolt-On Edge
Capacity, Heaped SAE	2.5 cu. yd. (1.9 m <sup>3</sup> )
Capacity, Struck SAE	2.1 cu. yd. (1.6 m <sup>3</sup> )
Bucket Weight	1,973 lb. (894 kg)
Bucket Width	8 ft. 4 in. (2.55 m)
Breakout Force, SAE J732C	16,655 lb. (7555 kg)
Tipping Load, Straight	17,469 lb. (7924 kg)
Tipping Load, 40-Deg. Full Turn, SAE	15,483 lb. (7023 kg)
Reach, 45-Deg. Dump, 7-ft. (2.13 m) Clearance	5 ft. 9 in. (1.76 m)
▲▲ Reach, 45-Deg. Dump, Full Height	3 ft. 5 in. (1.05 m)
▲▲ Dump Clearance, 45 Deg., Full Height	10 ft. 0 in. (3.05 m)
▲▲▲ Overall Length, Bucket on Ground	23 ft. 5 in. (7.14 m)
Loader Clearance Circle, Bucket In Carry Position	37 ft. 5 in. (11.40 m)
Operating Weight	24,809 lb. (11 253 kg)

Loader operating information is based on machine with standard equipment; cab; rear cast bumper/counterweight; 17.5 R 25 tires; ROPS cab; 175-lb. (79 kg) operator; and full fuel tank. This information is affected by tire size, ballast, and different attachments.

## Adjustments to Operating Weights with High-Lift Z-Bar Pin-On Buckets

Adjustments to operating weights and tipping loads for 2.5-cu.-yd. (1.9 m<sup>3</sup>) general-purpose bucket with bolt-on cutting edge and optional rear cast bumper/counterweight

Add (+) or deduct (-) lb. (kg) as indicated for loaders with three-piece rims and	Operating Weight	Tipping Load, Straight	Tipping Load, 40-Deg. Full Turn, SAE
17.5 R 25, L-3T tires	0 lb. (0 kg)	0 lb. (0 kg)	0 lb. (0 kg)
17.5 R 25, L-2 tires	- 196 lb. (- 89 kg)	- 121 lb. (- 55 kg)	- 119 lb. (- 54 kg)
17.5 R 25, L-3 tires	- 425 lb. (- 193 kg)	- 262 lb. (- 119 kg)	- 260 lb. (- 118 kg)
17.5-25, L-2 tires*	- 624 lb. (- 283 kg)	- 386 lb. (- 175 kg)	- 384 lb. (- 174 kg)
17.5-25, L-2 tires	- 362 lb. (- 164 kg)	- 223 lb. (- 101 kg)	- 220 lb. (- 100 kg)
20.5-25, 12 PR L-2 tires**	+ 331 lb. (+ 150 kg)	+ 223 lb. (+ 101 kg)	+ 218 lb. (+ 99 kg)
20.5-25, 1 Star L-2 Radial tires**	+ 516 lb. (+ 234 kg)	+ 337 lb. (+ 153 kg)	+ 331 lb. (+ 150 kg)
550/65 R 25, 1 Star L-2 tires**	+ 443 lb. (+ 201 kg)	+ 293 lb. (+ 133 kg)	+ 289 lb. (+ 131 kg)
CaCl <sub>2</sub> in 17.5-25 rear tires**	+ 1,183 lb. (+ 537 kg)	+ 1,462 lb. (+ 663 kg)	+ 1,291 lb. (+ 586 kg)
Optional rear cast bumper/counterweight (removed)	- 229 lb. (- 104 kg)	- 461 lb. (- 209 kg)	- 368 lb. (- 176 kg)

\*Equipped with one-piece rims.

\*\*CaCl<sub>2</sub> not recommended with 20.5 R 25, 20.5-25, and 65 R 25 tires.

## High-Lift Z-Bar Information with Quick-Coupler and Hook-On Bucket

444J

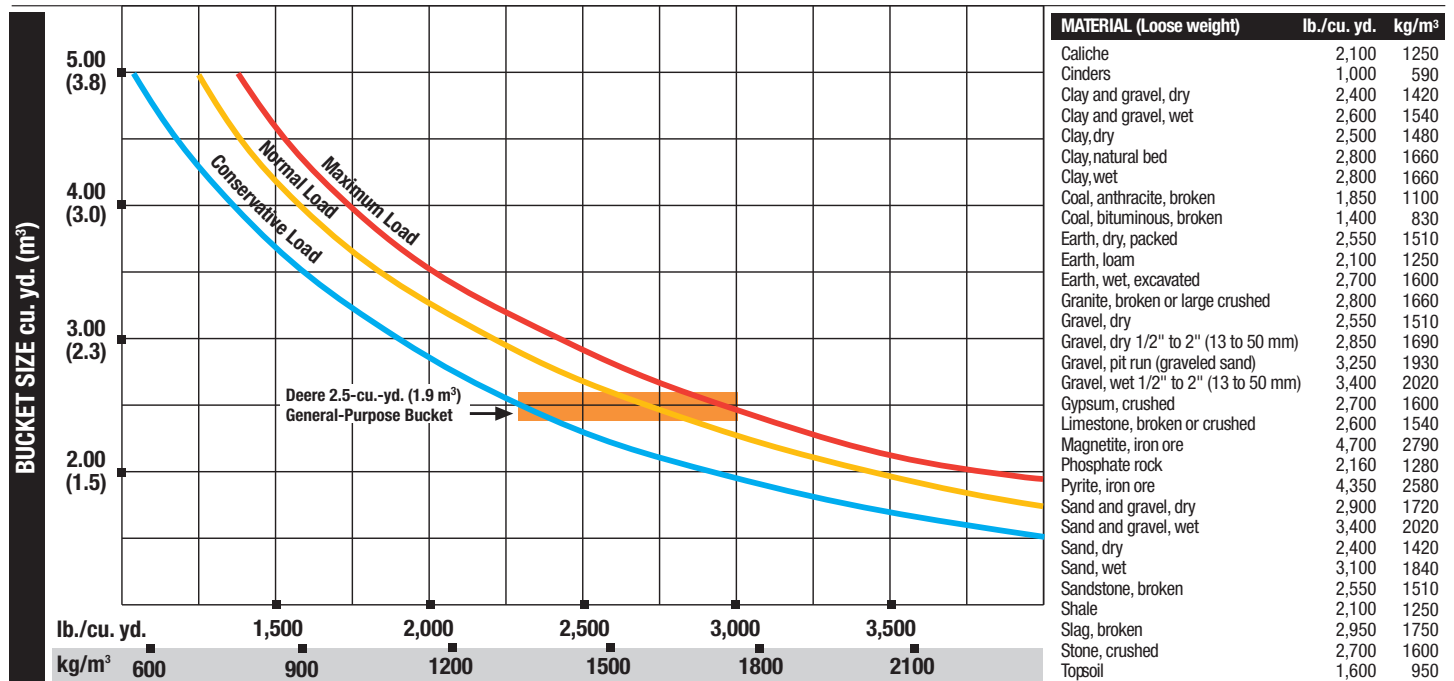
Bucket Type/Size	General Purpose w/Bolt-On Edge	General Purpose w/Bolt-On Edge
Capacity, Heaped SAE	2.5 cu. yd. (1.9 m <sup>3</sup> )	2.0 cu. yd. (1.5 m <sup>3</sup> )
Capacity, Struck SAE	2.1 cu. yd. (1.6 m <sup>3</sup> )	1.6 cu. yd. (1.2 m <sup>3</sup> )
Bucket Weight (with coupler)	2,756 lb. (1250 kg)	2,575 lb. (1168 kg)
Bucket Width	8 ft. 4 in. (2.55 m)	8 ft. 4 in. (2.55 m)
Breakout Force, SAE J732C	13,552 lb. (6147 kg)	14,502 lb. (6578 kg)
Tipping Load, Straight	15,652 lb. (7100 kg)	16,071 lb. (7290 kg)
Tipping Load, 40-Deg. Full Turn, SAE	13,785 lb. (6253 kg)	14,118 lb. (6404 kg)
Reach, 45-Deg. Dump, 7-ft. (2.13 m) Clearance	5 ft. 11.5 in. (1.82 m)	5 ft. 11 in. (1.80 m)
▲▲ Reach, 45-Deg. Dump, Full Height	3 ft. 10 in. (1.18 m)	3 ft. 9 in. (1.14 m)
▲ Dump Clearance, 45 Deg., Full Height	9 ft. 7 in. (2.91 m)	9 ft. 9 in. (2.96 m)
▲▲▲ Overall Length, Bucket on Ground	24 ft. 1 in. (7.34 m)	23 ft. 10 in. (7.26 m)
Loader Clearance Circle, Bucket In Carry Position	37 ft. 11 in. (11.56 m)	37 ft. 8 in. (11.48 m)
Operating Weight	25,635 lb. (11 628 kg)	25,474 lb. (11 555 kg)

Loader operating information is based on machine with standard equipment; cab; rear cast bumper/counterweight; 20.5R25 tires; ROPS cab; 175-lb. (79 kg) operator; and full fuel tank. This information is affected by tire size, ballast, and different attachments.

## High-Lift Z-Bar Information with Quick-Coupler and Hook-On Construction Fork

▲ Tine Length	48 in. (1.22 m)	60 in. (1.52 m)
▲▲ Overall Length	25 ft. 5 in. (7.75 m)	26 ft. 5 in. (8.05 m)
Tipping Load, Straight (fork level, load centered 24 in. [610 mm] forward on tine)	12,238 lb. (5551 kg)	11,949 lb. (5420 kg)
Tipping Load, 40-Deg. Full Turn (fork level, load centered 24 in. [610 mm] forward on tine)	10,822 lb. (4909 kg)	10,533 lb. (4778 kg)
Operating Weight	25,037 lb. (11 357 kg)	25,363 lb. (11 504 kg)

## Standard Z-Bar Pin-On Bucket Selection Guide\*



\* This guide, representing bucket sizes not necessarily manufactured by Deere, will help you in selecting proper bucket size for material density, loader configuration, and operating conditions. Optimum bucket size is determined after adding or subtracting all tipping load changes due to optional equipment. The "conservative load" line on this guide is recommended when operating in conditions such as soft ground and unlevel surfaces. The "maximum load" condition on this guide is sometimes utilized when operating on firm ground and level surfaces.

# Specifications

## Engine 544J

Manufacturer and Model	John Deere PowerTech E™ 6068H
Non-Road Emission Standards	certified to EPA Tier 3 emissions
Cylinders	6
Valves Per Cylinder	2
Displacement	414 cu. in. (6.8 L)
Net Peak Power (ISO9249)	167 hp (125 kW) @ 1,900 rpm
Net Peak Torque (ISO9249)	496 lb.-ft. (673 Nm) @ 1,600 rpm
Net Torque Rise	38%
Fuel System	high-pressure common rail
Lubrication	full-flow spin-on filter and integral cooler
Aspiration	turbocharged, charge air cooled
Air Cleaner	dual element dry type, restriction indicator in cab monitor for service
Fan Drive	hydraulically driven, proportionally controlled, fan aft of coolers
Electrical System	24 volt with 80-amp alternator
Batteries (two 12 volt)	950 CCA

## Transmission

Type	countershaft-type PowerShift™	
Torque Converter	single stage, single phase	
Shift Control	electronically modulated, adaptive, load and speed dependent	
Operator Interface	steering-column or hydraulic joystick-mounted F-N-R and gear-select lever, kick-down button on hydraulic lever	
Shift Modes	quick-shift button with two selectable modes: auto/manual, auto to 1st or 2nd, kick down or kick down/up, three clutch cutoff settings adjustable on switch pad	
Travel Speeds*	<i>Forward</i>	<i>Reverse</i>
Gear 1	4.3 mph (6.9 km/h)	4.5 mph (7.2 km/h)
Gear 2	7.4 mph (11.9 km/h)	7.8 mph (12.6 km/h)
Gear 3	14.2 mph (22.9 km/h)	15.0 mph (24.1 km/h)
Gear 4	23.8 mph (38.3 km/h)	

\*Equipped with 20.5-25 tires.

## Axles/Brakes

Final Drives	heavy-duty inboard planetary
Differentials	hydraulic locking front, conventional rear — standard; dual locking front and rear — optional
Rear Axle Oscillation, Stop to Stop*	24 deg.
Brakes (conform to SAE J1473, ISO3450)	
Service Brakes	hydraulically actuated, inboard, sun-shaft mounted, oil cooled, self adjusting, single disc
Parking Brake	automatic spring applied, hydraulically released, oil cooled, multi-disc

\*Equipped with 20.5-25 tires.

## Tires

Choice of (with three-piece rims)	Tread Width	Width Over Tires	Change In Vertical Height
20.5 R 25, 1 Star L-3	76.8 in. (1950 mm)	97.7 in. (2482 mm)	0 in. (0 mm)
20.5 R 25, 1 Star L-2	76.8 in. (1950 mm)	97.7 in. (2482 mm)	0 in. (- 1 mm)
20.5-25, 16 PR L-2	76.8 in. (1950 mm)	97.5 in. (2486 mm)	+ 0.33 in. (+ 9 mm)
20.5-25, 12 PR L-2	76.8 in. (1950 mm)	98.9 in. (2512 mm)	+ 0.89 in. (+ 23 mm)
20.5-25, 16 PR L-3	76.8 in. (1950 mm)	98.0 in. (2488 mm)	+ 0.24 in. (+ 6 mm)
600/65 R 25, L-3T	76.8 in. (1950 mm)	101.3 in. (2572 mm)	- 1.06 in. (- 27 mm)
23.1-26 Logger*	84.1 in. (2136 mm)	108.0 in. (2743 mm)	+ 2.3 in. (+ 60 mm)

\*Equipped with one-piece rims.

## Refill Capacities (U.S.)

Fuel Tank (with ground-level fueling)	85 gal. (322 L)
Cooling System	23 qt. (22 L)
Engine Oil with Vertical Spin-On Filter	22.2 qt. (21 L)
PowerShift Transmission, Including Filter	19.5 qt. (18.5 L)



**Refill Capacities (U.S.) (continued) 544J**

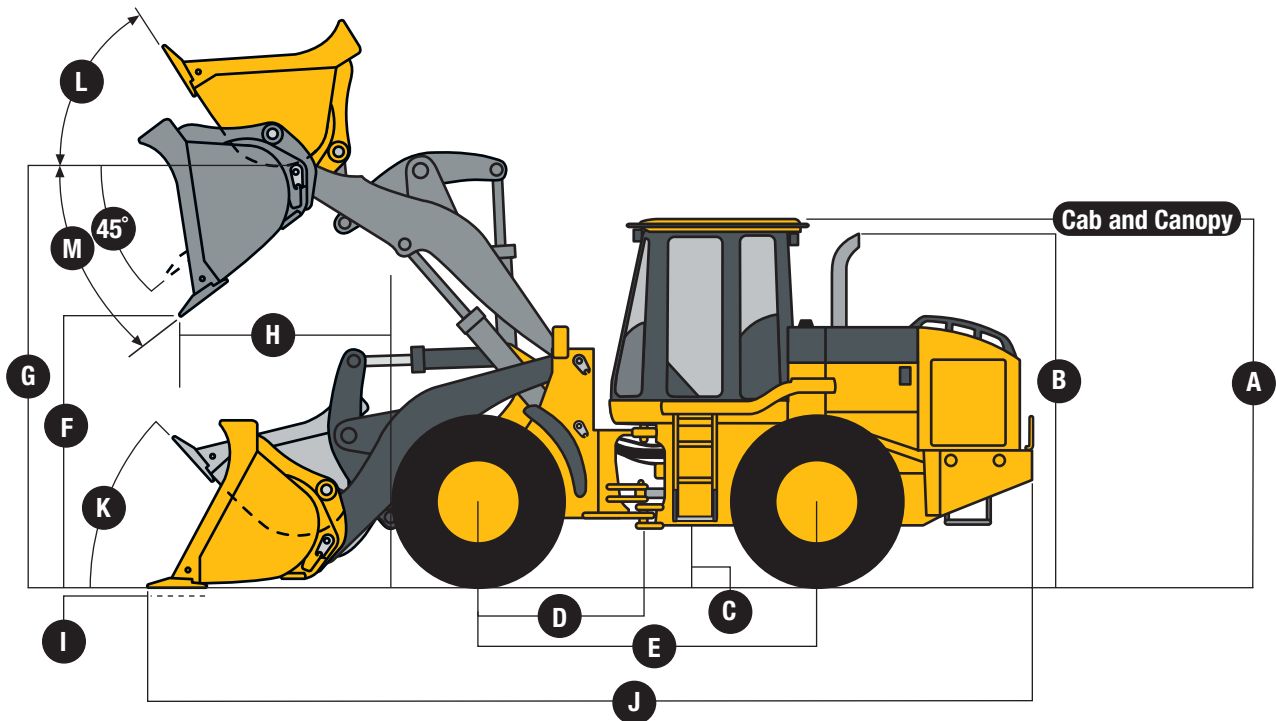
Differential (front and rear, each axle) . . . . .	18 qt. (17 L)
Hydraulic Reservoir and Filters . . . . .	25.5 gal. (96.5 L)
Wet-Disc Parking Brake . . . . .	10 oz. (0.3 L)

**Hydraulic System/Steering**

Pump (loader and steering) . . . . .	variable-displacement, axial-piston pump; closed-center, pressure-compensating system	
Maximum Rated Flow . . . . .	50 gpm (189 L/m) @ 1,000 psi (6895 kPa)	
System Relief Pressure (loader and steering) . . . . .	3,650 psi (25 166 kPa)	
Loader Controls . . . . .	two-function valve; single- or dual-lever controls; control lever lockout feature; optional third- and fourth-function valve with auxiliary lever	
Steering (conforms to SAE J1511)		
Type . . . . .	power, fully hydraulic	
Articulation Angle . . . . .	80-deg. arc (40 deg. each direction)	
Hydraulic Cycle Times	<i>Standard Z-Bar</i>	<i>High-Lift Z-Bar</i>
Raise . . . . .	5.8 sec.	5.8 sec.
Dump . . . . .	1.2 sec.	1.2 sec.
Lower (float down) . . . . .	3.2 sec.	3.2 sec.
Total . . . . .	10.2 sec.	10.2 sec.
Maximum Lift Capacity . . . . .	<i>with 2.5-cu.-yd. (1.9 m<sup>3</sup>) bucket with bolt-on edge</i>	
Lift at Ground Level . . . . .	29,596 lb. (13 425 kg)	26,074 lb. (11 827 kg)
Lift at Maximum Height . . . . .	14,904 lb. (6760 kg)	12,996 lb. (5895 kg)
Turning Radius (measured to centerline of outside tire) . . . . .	16 ft. 3 in. (4.95 m)	16 ft. 3 in. (4.95 m)

**Dimensions with Pin-On Bucket**

	<i>Standard Z-Bar</i>	<i>High-Lift Z-Bar</i>
<b>A</b> Height to Top of Cab and Canopy . . . . .	10 ft. 8 in. (3.24 m)	10 ft. 8 in. (3.24 m)
<b>B</b> Height to Top of Exhaust . . . . .	10 ft. 7 in. (3.23 m)	10 ft. 7 in. (3.23 m)
<b>C</b> Ground Clearance . . . . .	17.7 in. (450 mm)	17.7 in. (450 mm)
<b>D</b> Length from Centerline to Front Axle . . . . .	4 ft. 9 in. (1.45 m)	4 ft. 9 in. (1.45 m)
<b>E</b> Wheelbase . . . . .	9 ft. 8 in. (2.94 m)	9 ft. 6 in. (2.90 m)
<b>F</b> Dump Clearance . . . . .	▲ (see page 23)	▲ (see page 24)
<b>G</b> Height to Hinge Pin, Fully Raised . . . . .	12 ft. 7 in. (3.84 m)	13 ft. 9 in. (4.19 m)
<b>H</b> Dump Reach . . . . .	▲▲ (see page 23)	▲▲ (see page 24)
<b>I</b> Maximum Digging Depth . . . . .	3.25 in. (83 mm)	6.5 in. (165 mm)
<b>J</b> Overall Length . . . . .	▲▲▲ (see page 23)	▲▲▲ (see page 24)
<b>K</b> Maximum Rollback at Ground Level . . . . .	41 deg.	41 deg.
<b>L</b> Maximum Rollback, Boom Fully Raised . . . . .	55 deg.	55 deg.
<b>M</b> Maximum Bucket Angle, Fully Raised . . . . .	50 deg.	50 deg.





**Dimensions with Quick-Coupler and Hook-On Bucket**

**544J**

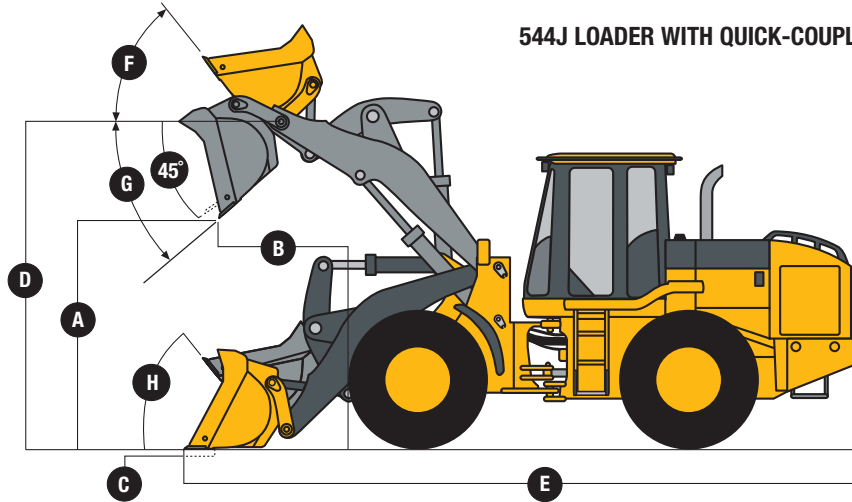
*Standard Z-Bar*

- A Dump Clearance . . . . . ▲ (see page 23)
- B Dump Reach . . . . . ▲▲ (see page 23)
- C Maximum Digging Depth . . . . . 5.5 in. (140 mm)
- D Height to Hinge Pin, Fully Raised . . . . . 12 ft. 7 in. (3.84 m)
- E Overall Length . . . . . ▲▲▲ (see page 23)
- F Maximum Rollback, Boom Fully Raised . . . . . 55 deg.
- G Maximum Bucket Discharge Angle, Fully Raised . . . . . 55 deg.
- H Maximum Rollback at Ground Level . . . . . 42 deg.

*High-Lift Z-Bar*

- ▲ (see page 24)
- ▲▲ (see page 24)
- 8.7 in. (221 mm)
- 13 ft. 9 in. (4.19 m)
- ▲▲▲ (see page 24)
- 49 deg.
- 51 deg.
- 41 deg.

**544J LOADER WITH QUICK-COUPLER AND HOOK-ON BUCKET**



**Dimensions with Quick-Coupler and Hook-On Construction Fork**

**544J**

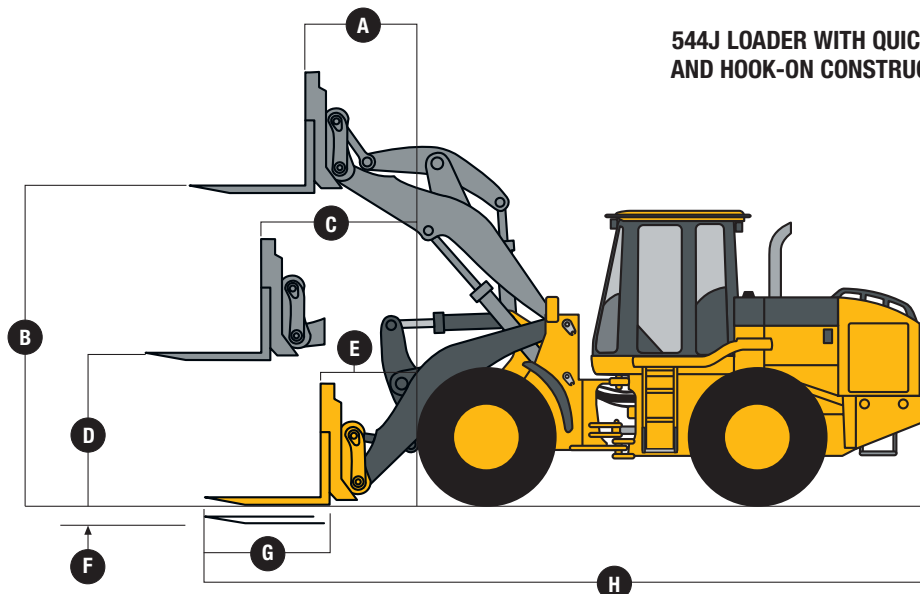
*Standard Z-Bar*

- A Reach, Fully Raised . . . . . 30 in. (0.76 m)
- B Fork Height, Fully Raised . . . . . 11 ft. 9 in. (3.58 m)
- C Maximum Reach, Fork Level . . . . . 5 ft. 1 in. (1.55 m)
- D Fork Height, Maximum Reach . . . . . 5 ft. 7 in. (1.70 m)
- E Reach, Ground Level . . . . . 3 ft. 0 in. (0.91 m)
- F Depth Below Ground . . . . . 1.2 in. (30 mm)
- G Tine Length . . . . . ▲ (see page 24)
- H Overall Length . . . . . ▲▲ (see page 24)

*High-Lift Z-Bar*

- 2 ft. 6 in. (0.76 m)
- 12 ft. 11 in. (3.94 m)
- 5 ft. 11 in. (1.80 m)
- 5 ft. 7 in. (1.70 m)
- 4 ft. 1 in. (1.24 m)
- 1.2 in. (30 mm)
- ▲ (see page 25)
- ▲▲ (see page 25)

**544J LOADER WITH QUICK-COUPLER AND HOOK-ON CONSTRUCTION FORK**



## Standard Z-Bar Pin-On

### Type Bucket Information

### 544J

	<i>Narrow General Purpose w/Bolt-On Edge</i>	<i>Wide General Purpose w/Bolt-On Edge</i>
Bucket Type/Size		
Capacity, Heaped SAE	3.0 cu. yd. (2.3 m <sup>3</sup> )	3.0 cu. yd. (2.3 m <sup>3</sup> )
Capacity, Struck SAE	2.6 cu. yd. (2.0 m <sup>3</sup> )	2.6 cu. yd. (2.0 m <sup>3</sup> )
Bucket Weight	2,397 lb. (1087 kg)	2,394 lb. (1086 kg)
Bucket Width	8 ft. 4 in. (2.55 m)	8 ft. 10 in. (2.69 m)
Breakout Force, SAE J732C	22,672 lb. (10 284 kg)	22,672 lb. (10 284 kg)
Tipping Load, Straight	25,374 lb. (11 509 kg)	25,574 lb. (11 600 kg)
Tipping Load, 40-Deg. Full Turn, SAE	22,688 lb. (10 291 kg)	22,869 lb. (10 373 kg)
Reach, 45-Deg. Dump, 7-ft. (2.13 m)		
Clearance	4 ft. 11 in. (1.49 m)	4 ft. 11 in. (1.49 m)
▲▲ Reach, 45-Deg. Dump, Full Height	3 ft. 3 in. (1.00 m)	3 ft. 3 in. (1.00 m)
▲ Dump Clearance, 45 Deg., Full Height	9 ft. 2 in. (2.79 m)	9 ft. 2 in. (2.79 m)
▲▲▲ Overall Length, Bucket on Ground	24 ft. 3 in. (7.39 m)	24 ft. 3 in. (7.39 m)
Loader Clearance Circle, Bucket In Carry		
Position	37 ft. 10 in. (11.53 m)	37 ft. 10 in. (11.53 m)
Operating Weight	28,332 lb. (12 851 kg)	28,329 lb. (12 850 kg)

*Loader operating information is based on machine with standard equipment; cab; rear cast bumper/counterweight; 20.5 R 25 tires; ROPS cab; 175-lb. (79 kg) operator; and full fuel tank. This information is affected by tire size, ballast, and different attachments.*

## Adjustments to Operating Weights with Standard Z-Bar Pin-On Buckets

### Adjustments to operating weights and tipping loads for 3.0-cu.-yd. (2.3 m<sup>3</sup>) general-purpose bucket with bolt-on cutting edge and optional rear cast bumper/counterweight

Add (+) or deduct (-) lb. (kg) as indicated for	<i>Operating Weight</i>	<i>Tipping Load, Straight</i>	<i>Tipping Load, 40-Deg. Full Turn, SAE</i>
loaders with three-piece rims and			
20.5 R 25, 1 Star L-3 tires	0 lb. (0 kg)	0 lb. (0 kg)	0 lb. (0 kg)
20.5 R 25, 1 Star L-2 tires	- 344 lb. (- 156 kg)	- 249 lb. (- 113 kg)	- 247 lb. (- 112 kg)
20.5-25, 16 PR L-2 tires	- 697 lb. (- 316 kg)	- 520 lb. (- 236 kg)	- 516 lb. (- 234 kg)
20.5-25, 12 PR L-2 tires	- 529 lb. (- 240 kg)	- 399 lb. (- 181 kg)	- 392 lb. (- 178 kg)
20.5-25, 16 PR L-3 tires	- 520 lb. (- 236 kg)	- 379 lb. (- 172 kg)	- 375 lb. (- 170 kg)
600/65 R 25, L-3T tires**	+ 802 lb. (+ 364 kg)	+ 467 lb. (+ 212 kg)	+ 459 lb. (+ 208 kg)
23.1-26 Logger*	- 75 lb. (- 34 kg)	- 37 lb. (- 17 kg)	- 37 lb. (- 17 kg)
CaCl <sub>2</sub> in 20.5-25, L-3 rear tires	+ 1,820 lb. (+ 825 kg)	+ 2,657 lb. (+ 1205 kg)	+ 2,341 lb. (+ 1062 kg)
Optional rear cast bumper/counterweight (removed)	- 229 lb. (- 104 kg)	- 558 lb. (- 253 kg)	- 465 lb. (- 211 kg)

\*Equipped with one-piece rims.

\*\*CaCl<sub>2</sub>, not recommended with 600/65 R 25 tires.

## Standard Z-Bar Information with Quick-Coupler and Hook-On Bucket

	<i>General Purpose (Wide) w/Bolt-On Edge</i>	<i>General Purpose w/Bolt-On Edge</i>
Bucket Type/Size		
Capacity, Heaped SAE	3.0 cu. yd. (2.3 m <sup>3</sup> )	2.5 cu. yd. (1.9 m <sup>3</sup> )
Capacity, Struck SAE	2.6 cu. yd. (2.0 m <sup>3</sup> )	2.1 cu. yd. (1.6 m <sup>3</sup> )
Bucket Weight (with coupler)	3,080 lb. (1397 kg)	2,853 lb. (1294 kg)
Bucket Width	8 ft. 10 in. (2.69 m)	8 ft. 4 in. (2.55 m)
Breakout Force, SAE J732C	19,039 lb. (8636 kg)	18,937 lb. (8590 kg)
Tipping Load, Straight	22,540 lb. (10 224 kg)	23,991 lb. (10 882 kg)
Tipping Load, 40-Deg. Full Turn, SAE	20,084 lb. (9110 kg)	21,411 lb. (9712 kg)
Reach, 45-Deg. Dump, 7-ft. (2.13 m)		
Clearance	4 ft. 11 in. (1.50 m)	5 ft. 1 in. (1.56 m)
▲▲ Reach, 45-Deg. Dump, Full Height	3 ft. 4 in. (1.02 m)	3 ft. 8 in. (1.11 m)
▲ Dump Clearance, 45 Deg., Full Height	8 ft. 8 in. (2.63 m)	8 ft. 11 in. (2.72 m)
▲▲▲ Overall Length, Bucket on Ground	24 ft. 10 in. (7.57 m)	23 ft. 1 in. (7.04 m)
Loader Clearance Circle, Bucket In Carry		
Position	37 ft. 10 in. (11.53 m)	38 ft. 3 in. (11.66 m)
Operating Weight	29,059 lb. (13 181 kg)	28,832 lb. (13 078 kg)

*Loader operating information is based on machine with standard equipment; cab; rear cast bumper/counterweight; 20.5R25 tires; ROPS cab; 175-lb. (79 kg) operator; and full fuel tank. This information is affected by tire size, ballast, and different attachments.*

### Standard Z-Bar Information with Quick-Coupler and Hook-On Construction Fork

544J

▲ Tine Length	48 in. (1.22 m)	60 in. (1.52 m)
▲▲ Overall Length	25 ft. 7 in. (7.80 m)	26 ft. 7 in. (8.10 m)
Tipping Load, Straight (fork level, load centered 24 in. [610 mm] forward on tine)	17,714 lb. (8035 kg)	16,566 lb. (7514 kg)
Tipping Load, 40-Deg. Full Turn (fork level, load centered 24 in. [610 mm] forward on tine)	15,842 lb. (7186 kg)	14,789 lb. (6708 kg)
Operating Weight	28,251 lb. (12 814 kg)	28,576 lb. (12 962 kg)

### High-Lift Z-Bar Pin-On-Type Bucket Information

Bucket Type/Size	Narrow General Purpose w/Bolt-On Edge	Wide General Purpose w/Bolt-On Edge
Capacity, Heaped SAE	3.0 cu. yd. (2.3 m <sup>3</sup> )	3.0 cu. yd. (2.3 m <sup>3</sup> )
Capacity, Struck SAE	2.6 cu. yd. (2.0 m <sup>3</sup> )	2.6 cu. yd. (2.0 m <sup>3</sup> )
Bucket Weight	2,396 lb. (1087 kg)	2,396 lb. (1087 kg)
Bucket Width	8 ft. 4 in. (2.55 m)	8 ft. 10 in. (2.69 m)
Breakout Force, SAE J732C	20,939 lb. (7555 kg)	22,394 lb. (7555 kg)
Tipping Load, Straight	22,018 lb. (9987 kg)	22,170 lb. (10 056 kg)
Tipping Load, 40-Deg. Full Turn, SAE	19,643 lb. (8910 kg)	19,778 lb. (8971 kg)
Reach, 45-Deg. Dump, 7-ft. (2.13 m) Clearance	5 ft. 10 in. (1.78 m)	5 ft. 9 in. (1.74 m)
▲▲ Reach, 45-Deg. Dump, Full Height	3 ft. 3 in. (1.00 m)	3 ft. 1 in. (0.94 m)
▲ Dump Clearance, 45 Deg., Full Height	10 ft. 4 in. (3.14 m)	10 ft. 6 in. (3.19 m)
▲▲▲ Overall Length, Bucket on Ground	25 ft. 3 in. (7.70 m)	24 ft. 11 in. (7.59 m)
Loader Clearance Circle, Bucket In Carry Position	38 ft. 11 in. (11.86 m)	39 ft. 2 in. (11.94 m)
Operating Weight	28,534 lb. (12 943 kg)	28,532 lb. (12 942 kg)

Loader operating information is based on machine with standard equipment; cab; rear cast bumper/counterweight; 20.5 R 25 tires; ROPS cab; 175-lb. (79 kg) operator; and full fuel tank. This information is affected by tire size, ballast, and different attachments.

### Adjustments to Operating Weights with High-Lift Z-Bar Pin-On Buckets

#### Adjustments to operating weights and tipping loads for 3.0-cu.-yd. (2.3 m<sup>3</sup>) general-purpose bucket with bolt-on cutting edge and optional rear cast bumper/counterweight

Add (+) or deduct (-) lb. (kg) as indicated for	Operating Weight	Tipping Load, Straight	Tipping Load, 40-Deg. Full Turn, SAE
loaders with three-piece rims and			
20.5 R 25, 1 Star L-3 tires	0 lb. (0 kg)	0 lb. (0 kg)	0 lb. (0 kg)
20.5 R 25, 1 Star L-2 tires	- 344 lb. (- 156 kg)	- 223 lb. (- 101 kg)	- 220 lb. (- 100 kg)
20.5-25, 16 PR L-2 tires	- 697 lb. (- 316 kg)	- 463 lb. (- 210 kg)	- 456 lb. (- 207 kg)
20.5-25, 12 PR L-2 tires	- 529 lb. (- 240 kg)	- 353 lb. (- 160 kg)	- 348 lb. (- 158 kg)
20.5-25, 16 PR L-3 tires	- 520 lb. (- 236 kg)	- 337 lb. (- 153 kg)	- 333 lb. (- 151 kg)
600/65 R 25, L-3T tires**	+ 602 lb. (+ 273 kg)	+ 414 lb. (+ 188 kg)	+ 405 lb. (+ 184 kg)
23.1-26 Logger*	- 75 lb. (- 34 kg)	- 33 lb. (- 15 kg)	- 33 lb. (- 15 kg)
CaCl <sub>2</sub> in 20.5-25, L-3 rear tires	+ 1,817 lb. (+ 824 kg)	+ 2,350 lb. (+ 1066 kg)	+ 2,070 lb. (+ 939 kg)
Optional rear cast bumper/counterweight (removed)	- 229 lb. (- 104 kg)	- 558 lb. (- 253 kg)	- 465 lb. (- 211 kg)

\*Equipped with one-piece rims.

\*\*CaCl<sub>2</sub>, not recommended with 600/65R25 tires.

## High-Lift Z-Bar Information with Quick-Coupler and Hook-On Bucket

544J

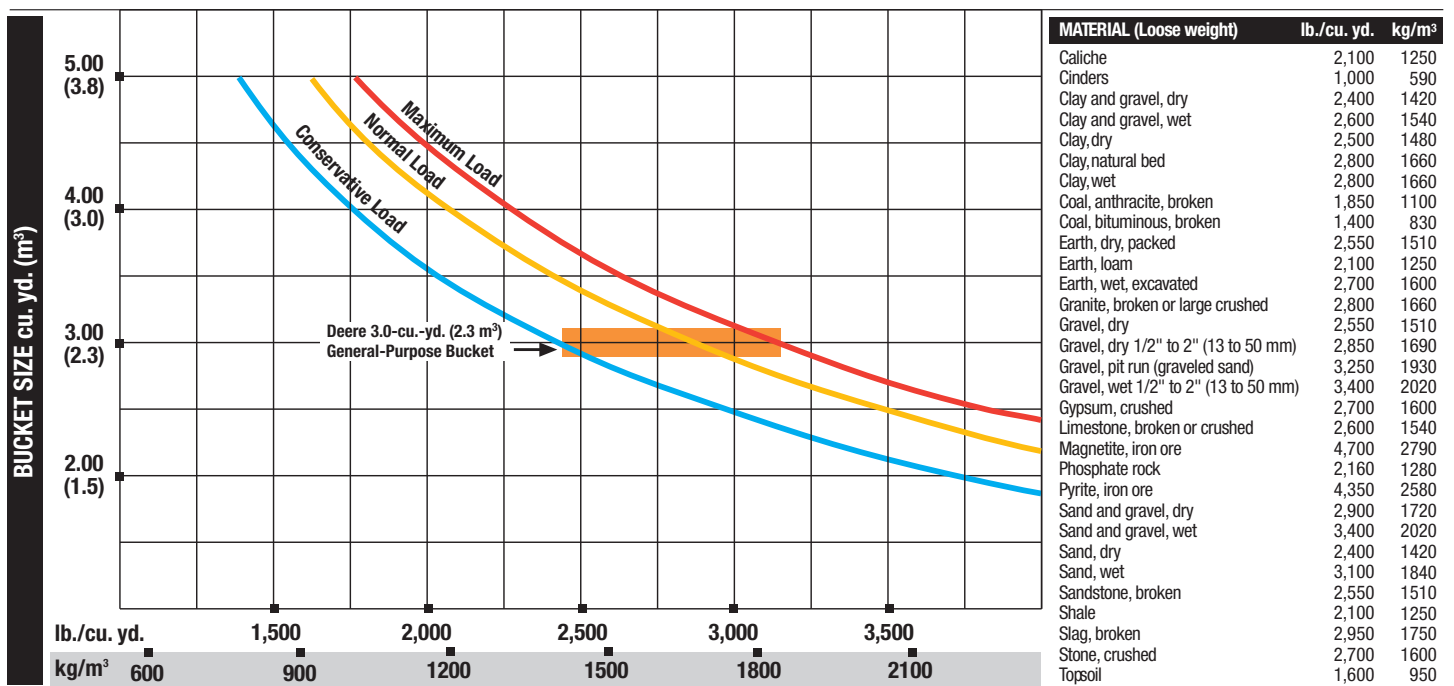
Bucket Type/Size	General Purpose w/Bolt-On Edge	General Purpose w/Bolt-On Edge
Capacity, Heaped SAE	3.0 cu. yd. (2.3 m <sup>3</sup> )	2.5 cu. yd. (1.9 m <sup>3</sup> )
Capacity, Struck SAE	2.6 cu. yd. (2.0 m <sup>3</sup> )	2.1 cu. yd. (1.6 m <sup>3</sup> )
Bucket Weight (with coupler)	3,080 lb. (1397 kg)	2,853 lb. (1294 kg)
Bucket Width	8 ft. 10 in. (2.69 m)	8 ft. 4 in. (2.55 m)
Breakout Force, SAE J732C	17,557 lb. (7964 kg)	18,104 lb. (8212 kg)
Tipping Load, Straight	19,870 lb. (9013 kg)	20,230 lb. (9176 kg)
Tipping Load, 40-Deg. Full Turn, SAE	17,655 lb. (8008 kg)	17,999 lb. (8164 kg)
Reach, 45-Deg. Dump, 7-ft. (2.13 m)		
Clearance	5 ft. 11 in. (1.79 m)	6 ft. 1 in. (1.85 m)
▲▲ Reach, 45-Deg. Dump, Full Height	3 ft. 7 in. (1.09 m)	3 ft. 7 in. (1.09 m)
▲ Dump Clearance, 45 Deg., Full Height	9 ft. 9 in. (2.98 m)	10 ft. 1 in. (3.06 m)
▲▲▲ Overall Length, Bucket on Ground	25 ft. 11 in. (7.90 m)	25 ft. 7 in. (7.80 m)
Loader Clearance Circle, Bucket In Carry		
Position	39 ft. 10 in. (12.14 m)	39 ft. 4 in. (11.99 m)
Operating Weight	29,286 lb. (13 284 kg)	29,057 lb. (13 180 kg)

Loader operating information is based on machine with standard equipment; cab; rear cast bumper/counterweight; 20.5 R 25 tires; ROPS cab; 175-lb. (79 kg) operator; and full fuel tank. This information is affected by tire size, ballast, and different attachments.

## High-Lift Z-Bar Information with Quick-Coupler and Hook-On Construction Fork

▲ Tine Length	48 in. (1.22 m)	60 in. (1.52 m)
▲▲ Overall Length	26 ft. 8 in. (8.13 m)	27 ft. 8 in. (8.43 m)
Tipping Load, Straight (fork level, load centered 24 in. [610 mm] forward on tine)	15,957 lb. (7238 kg)	14,881 lb. (6750 kg)
Tipping Load, 40-Deg. Full Turn (fork level, load centered 24 in. [610 mm] forward on tine)	14,240 lb. (6459 kg)	13,252 lb. (6011 kg)
Operating Weight	28,461 lb. (12 910 kg)	28,786 lb. (13 057 kg)

## Standard Z-Bar Pin-On Bucket Selection Guide\*



\* This guide, representing bucket sizes not necessarily manufactured by Deere, will help you in selecting proper bucket size for material density, loader configuration, and operating conditions. Optimum bucket size is determined after adding or subtracting all tipping load changes due to optional equipment. The "conservative load" line on this guide is recommended when operating in conditions such as soft ground and unlevel surfaces. The "maximum load" condition on this guide is sometimes utilized when operating on firm ground and level surfaces.

# Specifications

## Engine

### 624J

Manufacturer and Model	John Deere PowerTech Plus™ 6068H
Non-Road Emission Standards	certified to EPA Tier 3 emissions
Cylinders	6
Valves Per Cylinder	4
Displacement	414 cu. in. (6.8 L)
Net Peak Power (ISO9249)	198 hp (147 kW) @ 1,800 rpm
Net Peak Torque (ISO9249)	617 lb.-ft. (836 Nm) @ 1,600 rpm
Net Torque Rise	55%
Fuel System	high-pressure common rail
Lubrication	full-flow spin-on filter and integral cooler
Aspiration	turbocharged, charge air cooled
Air Cleaner	dual element dry type, restriction indicator in cab monitor for service
Fan Drive	hydraulically driven, proportionally controlled, fan aft of coolers
Electrical System	24 volt with 80-amp alternator
Batteries (two 12 volt)	950 CCA

## Transmission

Type	countershaft-type PowerShift™	
Torque Converter	single stage, single phase	
Shift Control	electronically modulated, adaptive, load and speed dependent	
Operator Interface	steering-column or hydraulic joystick-mounted F-N-R and gear-select lever, kick-down button on hydraulic lever	
Shift Modes	quick-shift button with two selectable modes: auto/manual, auto to 1st or 2nd, kick down or kick down/up, three clutch cutoff settings adjustable on switch pad	
Travel Speeds*	<i>Forward</i>	<i>Reverse</i>
Gear 1	4.5 mph (7.2 km/h)	4.7 mph (7.6 km/h)
Gear 2	7.7 mph (12.4 km/h)	8.1 mph (13.0 km/h)
Gear 3	15.2 mph (24.5 km/h)	16.0 mph (25.7 km/h)
Gear 4	24.6 mph (39.6 km/h)	

\*Equipped with 20.5-25 tires.

## Axles/Brakes

Final Drives	heavy-duty inboard planetary
Differentials*	hydraulic locking front, conventional rear — standard; dual locking front and rear — optional
Rear Axle Oscillation, Stop to Stop*	24 deg.
Brakes (conform to SAE J1473, ISO3450)	
Service Brakes	hydraulically actuated, inboard, sun-shaft mounted, oil cooled, self adjusting, single disc
Parking Brake	automatic spring applied, hydraulically released, oil cooled, multi-disc

\*Equipped with 20.5-25 tires.

## Tires

Choice of (with three-piece rims)	Tread Width	Width Over Tires	Change In Vertical Height
20.5 R 25, L-3T	80.7 in. (2050 mm)	101.7 in. (2582 mm)	0 in. (0 mm)
20.5 R 25, 1 Star L-2	80.7 in. (2050 mm)	101.7 in. (2582 mm)	+ 0.04 in. (+ 1 mm)
20.5-25, 16 PR L-2	80.7 in. (2050 mm)	101.8 in. (2586 mm)	+ 0.33 in. (+ 9 mm)
20.5-25, 16 PR L-3	80.7 in. (2050 mm)	101.7 in. (2582 mm)	+ 0.24 in. (+ 6 mm)
600/65 R 25, L-3T	80.7 in. (2050 mm)	105.2 in. (2672 mm)	- 0.83 in. (- 21 mm)
28L-26 Logger*	89.4 in. (2272 mm)	117.4 in. (2983 mm)	+ 3.1 in. (+ 78 mm)

\*Equipped with one-piece rims.

## Refill Capacities (U.S.)

Fuel Tank (with ground-level fueling)	93 gal. (352 L)
Cooling System	29 qt. (27 L)
Engine Oil with Vertical Spin-On Filter	22 qt. (21 L)
Power-Shift Transmission, Including Filter	24 qt. (23 L)

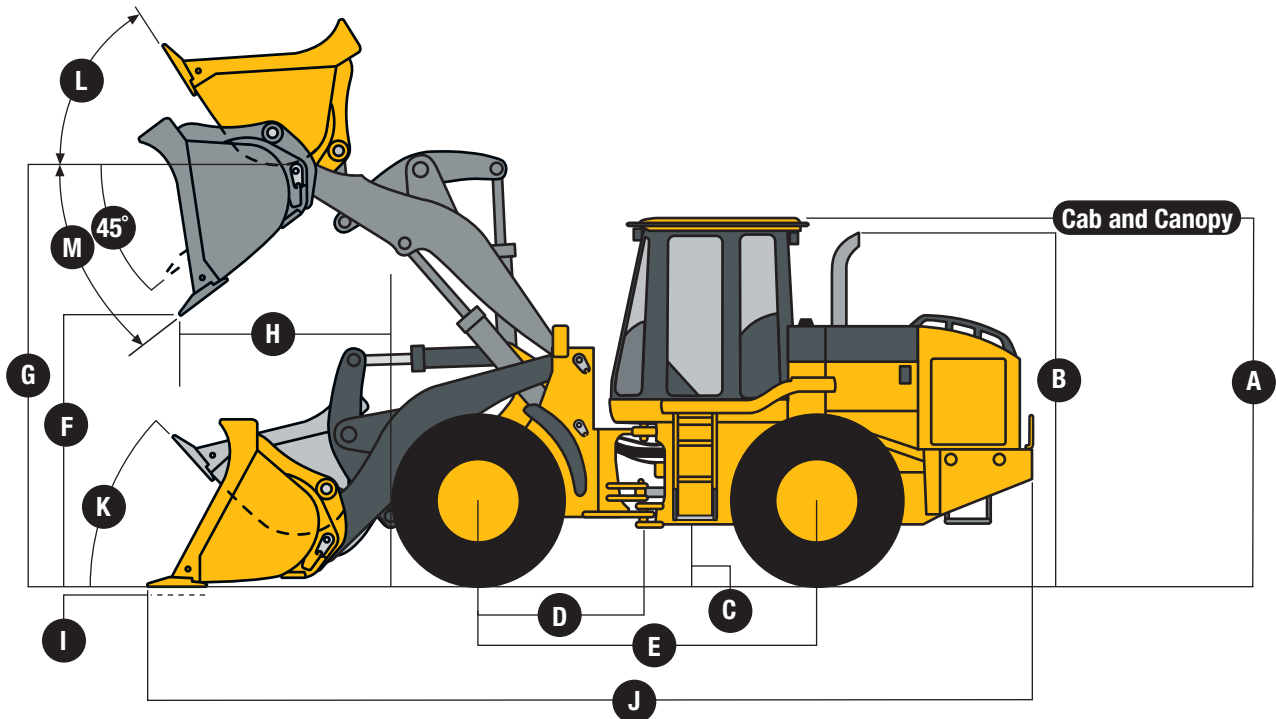
Differential (each axle)	
Front	23 qt. (22 L)
Rear	18 qt. (17 L)
Hydraulic Reservoir and Filters	31.5 gal. (119 L)
Wet-Disc Parking Brake	10 oz. (0.3 L)

**Hydraulic System/Steering**

Pump (loader and steering)	variable-displacement, axial-piston pump; closed-center, pressure-compensating system	
Maximum Rated Flow	60 gpm (227 L/m) @ 1,000 psi (6895 kPa)	
System Relief Pressure (loader and steering)	3,675 psi (24 821 kPa)	
Loader Controls	two-function valve; single- or dual-lever controls; control lever lockout feature; optional third- and fourth-function valve with auxiliary lever	
Steering (conforms to SAE J1511)		
Type	power, fully hydraulic	
Articulation Angle	80-deg. arc (40 deg. each direction)	
Hydraulic Cycle Times	<i>Standard Z-Bar</i>	<i>High-Lift Z-Bar</i>
Raise	5.9 sec.	5.9 sec.
Dump	1.3 sec.	1.3 sec.
Lower (float down)	2.7 sec.	2.7 sec.
Total	9.9 sec.	9.9 sec.
Maximum Lift Capacity	with 3.0-cu.-yd. (2.3 m <sup>3</sup> ) bucket with bolt-on edge	
Lift at Ground Level	30,958 lb. (14 042 kg)	29,190 lb. (13 240 kg)
Lift at Maximum Height	17,305 lb. (7849 kg)	15,812 lb. (7172 kg)
Turning Radius (measured to centerline of outside tire)	17 ft. 0 in. (5.18 m)	17 ft. 0 in. (5.18 m)

**Dimensions with Pin-On Bucket**

	<i>Standard Z-Bar</i>	<i>High-Lift Z-Bar</i>
<b>A</b> Height to Top of Cab and Canopy	10 ft. 11 in. (3.32 m)	10 ft. 11 in. (3.32 m)
<b>B</b> Height to Top of Exhaust	10 ft. 10 in. (3.30 m)	10 ft. 10 in. (3.30 m)
<b>C</b> Ground Clearance	17.1 in. (434 mm)	17.1 in. (434 mm)
<b>D</b> Length from Centerline to Front Axle	5 ft. 0 in. (1.52 m)	5 ft. 0 in. (1.52 m)
<b>E</b> Wheelbase	9 ft. 11 in. (3.03 m)	9 ft. 11 in. (3.03 m)
<b>F</b> Dump Clearance	▲ (see page 29)	▲ (see page 30)
<b>G</b> Height to Hinge Pin, Fully Raised	13 ft. 0 in. (3.96 m)	14 ft. 3 in. (4.3 m)
<b>H</b> Dump Reach	▲▲ (see page 29)	▲▲ (see page 30)
<b>I</b> Maximum Digging Depth	3.5 in. (89 mm)	7.4 in. (188 mm)
<b>J</b> Overall Length	▲▲▲ (see page 29)	▲▲▲ (see page 30)
<b>K</b> Maximum Rollback at Ground Level	40 deg.	40 deg.
<b>L</b> Maximum Rollback, Boom Fully Raised	55 deg.	55 deg.
<b>M</b> Maximum Bucket Angle, Fully Raised	50 deg.	50 deg.



**Dimensions with Quick-Coupler and Hook-On Bucket**

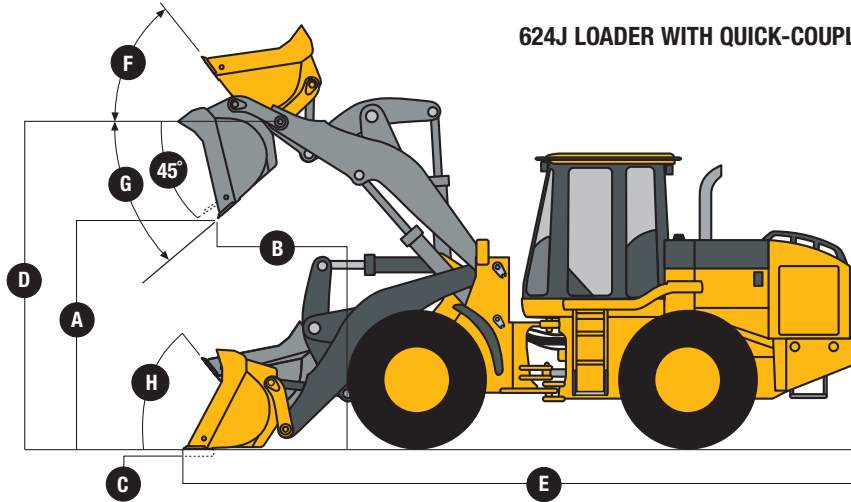
**624J**

*Standard Z-Bar*

*High-Lift Z-Bar*

<b>A</b> Dump Clearance . . . . .	▲ (see page 29)	▲ (see page 31)
<b>B</b> Dump Reach . . . . .	▲▲ (see page 29)	▲▲ (see page 31)
<b>C</b> Maximum Digging Depth . . . . .	6.5 in. (165 mm)	10.5 in. (267 mm)
<b>D</b> Height to Hinge Pin, Fully Raised . . . . .	13 ft. 0 in. (3.96 m)	14 ft. 3 in. (4.34 m)
<b>E</b> Overall Length . . . . .	▲▲▲ (see page 29)	▲▲▲ (see page 31)
<b>F</b> Maximum Rollback, Boom Fully Raised . . . . .	55 deg.	49 deg.
<b>G</b> Maximum Bucket Discharge Angle, Fully Raised . . . . .	50 deg.	46 deg.
<b>H</b> Maximum Rollback at Ground Level . . . . .	42 deg.	42 deg.

**624J LOADER WITH QUICK-COUPLER AND HOOK-ON BUCKET**



**Dimensions with Quick-Coupler and Hook-On Construction Fork**

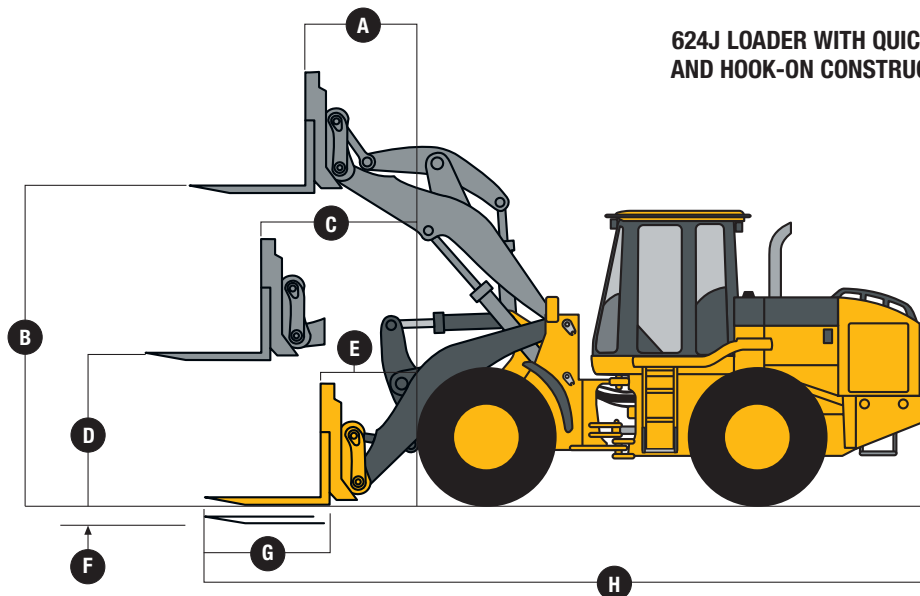
**624J**

*Standard Z-Bar*

*High-Lift Z-Bar*

<b>A</b> Reach, Fully Raised . . . . .	2 ft. 5 in. (0.74 m)	2 ft. 9 in. (0.84 m)
<b>B</b> Fork Height, Fully Raised . . . . .	12 ft. 2 in. (3.71 m)	13 ft. 4 in. (4.06 m)
<b>C</b> Maximum Reach, Fork Level . . . . .	5 ft. 2 in. (1.57 m)	6 ft. 3 in. (1.91 m)
<b>D</b> Fork Height, Maximum Reach . . . . .	5 ft. 9 in. (1.75 m)	5 ft. 9 in. (1.75 m)
<b>E</b> Reach, Ground Level . . . . .	3 ft. 1 in. (0.94 m)	4 ft. 6 in. (1.37 m)
<b>F</b> Depth Below Ground . . . . .	1.8 in. (46 mm)	5.8 in. (147 mm)
<b>G</b> Tine Length . . . . .	▲ (see page 30)	▲ (see page 31)
<b>H</b> Overall Length . . . . .	▲▲ (see page 30)	▲▲ (see page 31)

**624J LOADER WITH QUICK-COUPLER AND HOOK-ON CONSTRUCTION FORK**





## Standard Z-Bar Pin-On

### Type Bucket Information

624J

	General Purpose w/Bolt-On Edge
Bucket Type/Size	
Capacity, Heaped SAE	3.5 cu. yd. (2.7 m <sup>3</sup> )
Capacity, Struck SAE	3.0 cu. yd. (2.3 m <sup>3</sup> )
Bucket Weight	2,630 lb. (1193 kg)
Bucket Width	8 ft. 10 in. (2.69 m)
Breakout Force, SAE J732C	28,483 lb. (12 920 kg)
Tipping Load, Straight	30,143 lb. (13 673 kg)
Tipping Load, 40-Deg. Full Turn, SAE	27,070 lb. (12 279 kg)
Reach, 45-Deg. Dump, 7-ft. (2.13 m)	
Clearance	5 ft. 2 in. (1.58 m)
▲▲ Reach, 45-Deg. Dump, Full Height	3 ft. 5 in. (1.03 m)
▲ Dump Clearance, 45 Deg., Full Height	9 ft. 5 in. (2.87 m)
▲▲▲ Overall Length, Bucket on Ground	24 ft. 10 in. (7.57 m)
Loader Clearance Circle, Bucket In Carry	
Position	39 ft. 8 in. (12.09 m)
Operating Weight	32,290 lb. (15 100 kg)
<i>Loader operating information is based on machine with standard equipment; cab; rear cast bumper/counterweight; 20.5 R 25 tires; ROPS cab; 175-lb. (79 kg) operator; and full fuel tank. This information is affected by tire size, ballast, and different attachments.</i>	

### Adjustments to Operating Weights with Standard Z-Bar Pin-On Buckets

#### Adjustments to operating weights and tipping loads for 3.5-cu.-yd. (2.7 m<sup>3</sup>) general-purpose bucket with bolt-on cutting edge and optional rear cast bumper/counterweight

Add (+) or deduct (-) lb. (kg) as indicated for	Operating Weight	Tipping Load, Straight	Tipping Load, 40-Deg. Full Turn, SAE
loaders with three-piece rims and			
20.5 R 25, L-3T tires	0 lb. (0 kg)	0 lb. (0 kg)	0 lb. (0 kg)
20.5 R 25, 1 Star L-2 tires	- 348 lb. (- 158 kg)	- 254 lb. (- 115 kg)	- 251 lb. (- 114 kg)
20.5-25, 16 PR L-2 tires	- 696 lb. (- 316 kg)	- 516 lb. (- 234 kg)	- 507 lb. (- 230 kg)
20.5-25, 16 PR L-3 tires	- 518 lb. (- 235 kg)	- 384 lb. (- 174 kg)	- 377 lb. (- 171 kg)
600/65 R 25, L-3T tires**	+ 597 lb. (+ 271 kg)	+ 463 lb. (+ 210 kg)	+ 456 lb. (+ 207 kg)
28L-26 Logger*	+ 732 lb. (+ 332 kg)	+ 562 lb. (+ 255 kg)	+ 556 lb. (+ 252 kg)
CaCl <sub>2</sub> in 20.5-25 rear tires	+ 2,571 lb. (+ 1166 kg)	+ 3,799 lb. (+ 1723 kg)	+ 3,355 lb. (+ 1522 kg)
Optional rear cast bumper/counterweight (removed)	- 712 lb. (- 323 kg)	- 1,763 lb. (- 800 kg)	- 1,474 lb. (- 669 kg)

\*Equipped with one-piece rims.

\*\*CaCl<sub>2</sub> not recommended with 600/65R25 tires.

### Standard Z-Bar Information with Quick-Coupler and Hook-On Bucket

	General Purpose w/Bolt-On Edge
Bucket Type/Size	
Capacity, Heaped SAE	3.5 cu. yd. (2.7 m <sup>3</sup> )
Capacity, Struck SAE	3.0 cu. yd. (2.3 m <sup>3</sup> )
Bucket Weight (with coupler)	3,378 lb. (1532 kg)
Bucket Width	8 ft. 10 in. (2.69 m)
Breakout Force, SAE J732C	23,455 lb. (10 639 kg)
Tipping Load, Straight	27,088 lb. (12 287 kg)
Tipping Load, 40-Deg. Full Turn, SAE	24,253 lb. (11 001 kg)
Reach, 45-Deg. Dump, 7-ft. (2.13 m)	
Clearance	5 ft. 3 in. (1.6 m)
▲▲ Reach, 45-Deg. Dump, Full Height	3 ft. 10 in. (1.16 m)
▲ Dump Clearance, 45 Deg., Full Height	8 ft. 9 in. (2.68 m)
▲▲▲ Overall Length, Bucket on Ground	25 ft. 10 in. (7.87 m)
Loader Clearance Circle, Bucket In Carry	
Position	40 ft. 3 in. (12.33 m)
Operating Weight	34,068 lb. (15 453 kg)
<i>Loader operating information is based on machine with standard equipment; cab; rear cast bumper/counterweight; 20.5 R 25 tires; ROPS cab; 175-lb. (79 kg) operator; and full fuel tank. This information is affected by tire size, ballast, and different attachments.</i>	

## Standard Z-Bar Information with Quick-Coupler and Hook-On Construction Fork

624J

▲ Tine Length	48 in. (1.22 m)	60 in. (1.52 m)
▲▲ Overall Length	26 ft. 2 in. (7.98 m)	27 ft. 2 in. (8.28 m)
Tipping Load, Straight (fork level, load centered 24 in. [610 mm] forward on tine)	21,136 lb. (9587 kg)	19,822 lb. (8991 kg)
Tipping Load, 40-Deg. Full Turn (fork level, load centered 24 in. [610 mm] forward on tine)	18,991 lb. (8614 kg)	17,782 lb. (8066 kg)
Operating Weight	33,120 lb. (15 023 kg)	33,446 lb. (15 171 kg)

## High-Lift Z-Bar Pin-On-Type Bucket Information

Bucket Type/Size	General Purpose w/Bolt-On Edge
Capacity, Heaped SAE	3.5 cu. yd. (2.7 m <sup>3</sup> )
Capacity, Struck SAE	3.0 cu. yd. (2.3 m <sup>3</sup> )
Bucket Weight	2,630 lb. (1193 kg)
Bucket Width	8 ft. 10 in. (2.69 m)
Breakout Force, SAE J732C	25,884 lb. (11 741 kg)
Tipping Load, Straight	24,998 lb. (11 329 kg)
Tipping Load, 40-Deg. Full Turn, SAE	22,392 lb. (10 157 kg)
Reach, 45-Deg. Dump, 7-ft. (2.13 m) Clearance	6 ft. 4 in. (1.94 m)
▲▲ Reach, 45-Deg. Dump, Full Height	3 ft. 8 in. (1.12 m)
▲ Dump Clearance, 45 Deg., Full Height	10 ft. 8 in. (3.25 m)
▲▲▲ Overall Length, Bucket on Ground	26 ft. 2 in. (7.98 m)
Loader Clearance Circle, Bucket In Carry Position	40 ft. 10 in. (12.45 m)
Operating Weight	33,587 lb. (15 235 kg)

Loader operating information is based on machine with standard equipment; cab; rear cast bumper/counterweight; 20.5R25 tires; ROPS cab; 175-lb. (79 kg) operator; and full fuel tank. This information is affected by tire size, ballast, and different attachments.

## Adjustments to Operating Weights with High-Lift Z-Bar Pin-On Buckets

Adjustments to operating weights and tipping loads for 3.5-cu.-yd. (2.7 m<sup>3</sup>) general-purpose bucket with bolt-on cutting edge and optional rear cast bumper/counterweight

Add (+) or deduct (-) lb. (kg) as indicated for	Operating Weight	Tipping Load, Straight	Tipping Load, 40-Deg. Full Turn, SAE
loaders with three-piece rims and 20.5 R 25, L-3T tires	0 lb. (0 kg)	0 lb. (0 kg)	0 lb. (0 kg)
20.5 R 25, 1 Star L-2 tires	- 348 lb. (- 158 kg)	- 254 lb. (- 115 kg)	- 251 lb. (- 114 kg)
20.5-25, 16 PR L-2 tires	- 696 lb. (- 316 kg)	- 516 lb. (- 234 kg)	- 507 lb. (- 230 kg)
20.5-25, 16 PR L-3 tires	- 518 lb. (- 235 kg)	- 384 lb. (- 174 kg)	- 377 lb. (- 171 kg)
600/65 R 25, L-3T tires**	+ 597 lb. (+ 271 kg)	+ 463 lb. (+ 210 kg)	+ 456 lb. (+ 207 kg)
28L-26 Logger*	+ 732 lb. (+ 332 kg)	+ 562 lb. (+ 255 kg)	+ 556 lb. (+ 252 kg)
CaCl <sub>2</sub> in 20.5-25 rear tires	+ 2,571 lb. (+ 1166 kg)	+ 3,799 lb. (+ 1723 kg)	+ 3,355 lb. (+ 1522 kg)
Optional rear cast bumper/counterweight (removed)	- 712 lb. (- 323 kg)	- 1,763 lb. (- 800 kg)	- 1,474 lb. (- 669 kg)

\*Equipped with one-piece rims.

\*\*CaCl<sub>2</sub> not recommended with 600/65 R 25 tires.

## High-Lift Z-Bar Information with Quick-Coupler and Hook-On Bucket

624J

General Purpose  
w/Bolt-On Edge

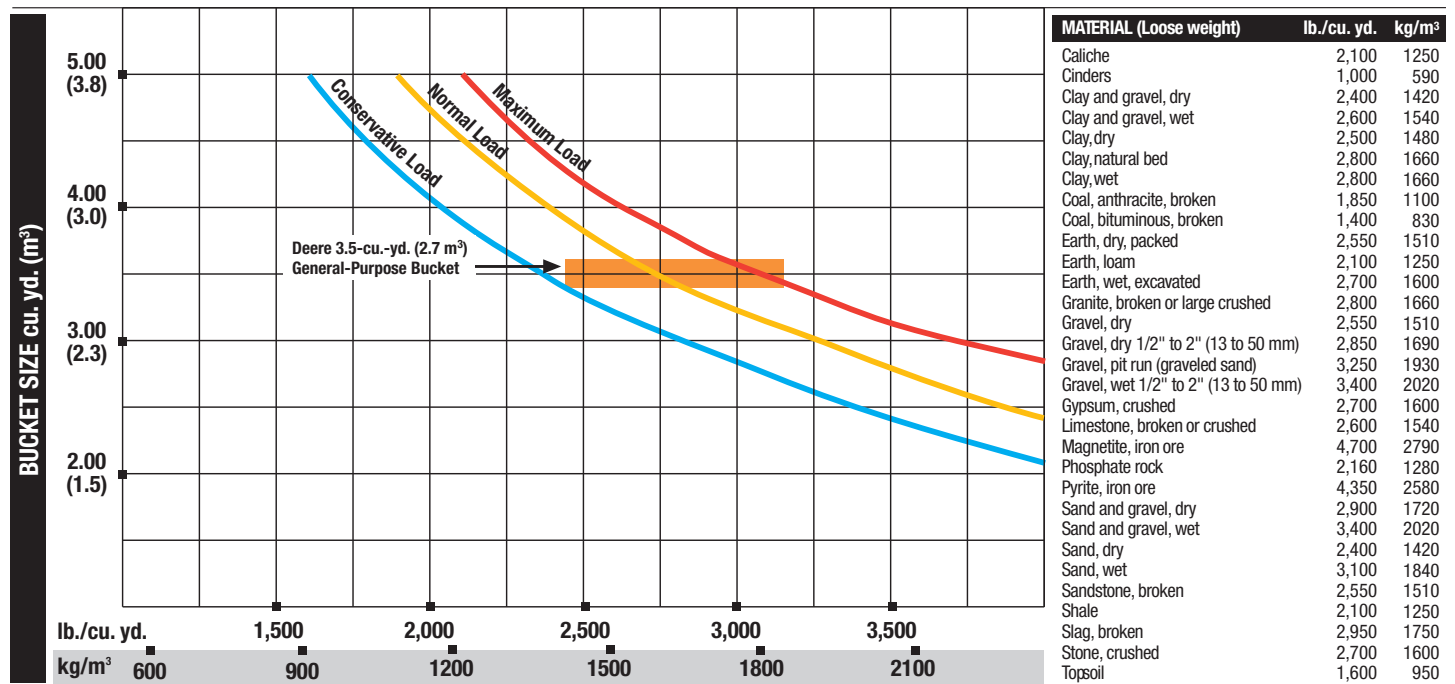
Bucket Type/Size	
Capacity, Heaped SAE	3.5 cu. yd. (2.7 m <sup>3</sup> )
Capacity, Struck SAE	3.0 cu. yd. (2.3 m <sup>3</sup> )
Bucket Weight (with coupler)	3,378 lb. (1532 kg)
Bucket Width	8 ft. 10 in. (2.69 m)
Breakout Force, SAE J732C	21,358 lb. (9688 kg)
Tipping Load, Straight	22,553 lb. (10 230 kg)
Tipping Load, 40-Deg. Full Turn, SAE	20,126 lb. (9129 kg)
Reach, 45-Deg. Dump, 7-ft. (2.13 m)	
Clearance	6 ft. 6 in. (1.98 m)
▲▲ Reach, 45-Deg. Dump, Full Height	4 ft. 1 in. (1.24 m)
▲ Dump Clearance, 45 Deg., Full Height	9 ft. 11 in. (3.02 m)
▲▲▲ Overall Length, Bucket on Ground	27 ft. 1 in. (8.26 m)
Loader Clearance Circle, Bucket In Carry	
Position	41 ft. 6 in. (12.65 m)
Operating Weight	34,386 lb. (15 597 kg)

Loader operating information is based on machine with standard equipment; cab; rear cast bumper/counterweight; 20.5 R 25 tires; ROPS cab; 175-lb. (79 kg) operator; and full fuel tank. This information is affected by tire size, ballast, and different attachments.

## High-Lift Z-Bar Information with Quick-Coupler and Hook-On Construction Fork

▲ Tine Length	48 in. (1.22 m)	60 in. (15.52 m)
▲▲ Overall Length	27 ft. 6 in. (8.38 m)	28 ft. 6 in. (8.69 m)
Tipping Load, Straight (fork level, load centered 24 in. [610 mm] forward on tine)	18,636 lb. (8453 kg)	17,527 lb. (7950 kg)
Tipping Load, 40-Deg. Full Turn (fork level, load centered 24 in. [610 mm] forward on tine)	16,707 lb. (7578 kg)	15,684 lb. (7114 kg)
Operating Weight	33,406 lb. (15 153 kg)	33,731 lb. (15 300 kg)

## Standard Z-Bar Pin-On Bucket Selection Guide\*



\* This guide, representing bucket sizes not necessarily manufactured by Deere, will help you in selecting proper bucket size for material density, loader configuration, and operating conditions. Optimum bucket size is determined after adding or subtracting all tipping load changes due to optional equipment. The "conservative load" line on this guide is recommended when operating in conditions such as soft ground and unlevel surfaces. The "maximum load" condition on this guide is sometimes utilized when operating on firm ground and level surfaces.

# 444J / 544J / 624J LOADERS

**Key:** ● Standard equipment ▲ Optional equipment

\*See your John Deere dealer for further information.

## 444 544 624 Engine

- ● ● Complies with EPA Tier 3 regulations
- ● ● Wet-sleeve cylinder liners
- ● ● Electronically controlled fuel system
- ● ● Automatic derating when system temperatures exceeded
- ● ● Under-hood muffler
- ● ● Under-hood dual-element air cleaner with restriction sensor in cab monitor
- ● ● Under-hood pre-screened air intake
- ● ● Fuel filter/water separator with sensor
- ● ● Heavy-duty steel fuel tank guard
- ● ● 500-hour spin-on oil filter
- ● ● Polyvee drive belt with automatic tensioner
- ● ● Starter protection circuit
- ● ● Automatic glow plugs for cold start
- ▲ ▲ ▲ Either start aid (required for cold starting down to -13°F [-25°C])
- ▲ ▲ ▲ 110-volt engine coolant heater (required for cold starting below -13°F [-25°C])
- ▲ ▲ ▲ Chrome exhaust stack
- ▲ ▲ ▲ Centrifugal engine air pre-cleaner

### Cooling

- ● ● Heavy-duty trash-resistant high-ambient cooling package
- ● ● Two-side access to all coolers
- ● ● Cooling system isolated from engine compartment
- ● ● Cool-on-demand hydraulically driven swing-out fan
- ● ● Charge air cooler (air/air - 6.5 fins per in.)
- ● ● Transmission oil cooler (oil/air - 6.5 fins per in.)
- ● ● Hydraulic oil cooler (oil/air - 6.5 fins per in.)
- ● ● Engine radiator (7.5 fins per in.)
- ● ● Integral engine oil cooler
- ● ● Fan guard
- ▲ ▲ ▲ Axle coolers (6.5 fins per in.)
- ▲ ▲ ▲ Reversing fan drive — auto control with manual override
- ▲ ▲ ▲ Harsh-environment coolers for corrosive environments

### Powertrain

- ● ● ZF torque-converter powershift transmission — 4F/3R
- ● ● Electronically controlled, adaptive, load- and speed-dependent shift modulation
- ▲ ▲ ▲ F-N-R and gearshift in single-lever loader control
- ▲ ▲ ▲ Steering-column-mounted shift lever with gearshift, F-N-R, and lock
- ● ● Auto-shift/manual-shift modes
- ● ● Quick-shift button in hydraulic-control lever with two selectable modes
- ● ● Transmission clutch disconnect (cutoff) with three selectable settings
- ● ● Gear lockout on transmission
- ● ● Clutch calibration engaged from cab monitor
- ● ● Vertical spin-on transmission filter
- ● ● Integral transmission sight gauge/fill tube
- ● ● Spring-applied, hydraulically released, sealed, wet-disc park brake
- ● ● Lube-for-life U-joints
- ● ● Heavy-duty mid-board planetary final drives
- ● ● Heavy-duty inboard planetary final drives
- ● ● Front axle with hydraulic locking differential
- ▲ ▲ ▲ Front and rear axle with open differential\*
- ▲ ▲ ▲ Front-axle disconnect
- ● ● Remote-axle breathers
- ▲ ▲ ▲ Wheel spin-control system

### Hydraulic System

- ● ● Pressure-compensating load-sensing hydraulic system
- ● ● In-cab adjustable automatic boom height kickout control
- ● ● In-cab adjustable automatic boom return-to-carry control
- ● ● Reservoir sight gauge
- ● ● Spin-on hydraulic filters, vertical mounting
- ● ● Hydraulic function enable/disable button
- ● ● Two-function hydraulic valve with single-lever joystick control
- ● ● Adjustable wristrest

## 444 544 624 Hydraulic System (continued)

- ▲ ▲ ▲ Two-function hydraulic valve with two-lever fingertip controls
- ▲ ▲ ▲ Three-function hydraulic valve with single-lever joystick control and auxiliary lever for third function
- ▲ ▲ ▲ Three-function hydraulic valve with two-lever fingertip controls, adjustable wristrest, and auxiliary lever for third function
- ▲ ▲ ▲ Four-function hydraulic valve, with dual single-lever joystick controls
- ▲ ▲ ▲ Hydraulic conversion kits, two-to-three- and three-to-four-function valves
- ▲ ▲ ▲ Ride control, automatic with monitor-adjustable speed settings
- ▲ ▲ ▲ Hydraulic control system for quick-coupler locking pins

### Electrical

- ● ● 24-volt electrical system
- ● ● Solid-state electrical power distribution system
- ● ● High-capacity batteries (2), 12 volt with 950 CCA, 200-min. rated reserve
- ● ● Master electrical disconnect switch
- ● ● Alternator, high capacity, 80 amps and 24 volts
- ▲ ▲ ▲ Alternator, 100 amps
- ● ● Lights (conform to SAE 99): Halogen driving with guards / Turn signals and flashers / Stop and taillights LED heavy-duty taillights and rear turn signals
- ● ● Work lights, halogen (4): cab front (2) and cab rear (2)
- ● ● Horn, with push button in center of steering wheel (conforms to SAE J994, J1446)
- ● ● Reverse warning alarm (conforms to SAE J994, J1446)
- ● ● Computerized multifunction monitor
- ● ● Audible and visual warnings: Amber caution / Red stop / Analog gauges: Engine coolant temperature, transmission oil temperature, fuel level, hydraulic oil temperature, engine oil pressure / Digital instruments: Engine rpm, odometer, transmission gear/direction indicator, speedometer, hour meter / operator warning lights: Check engine, engine air filter restriction, battery voltage, transmission oil filter restriction, brake pressure, hydraulic oil filter restriction, fasten seat belt, transmission fault, hydraulic oil temperature
- ● ● Indicator lights: Park brake / Ride control / Turn signals and warning flashers / Coupler pin disconnect / Engine preheater / Secondary steering / Work lights
- ● ● Built-in diagnostics: Fault code retrieval
- ▲ ▲ ▲ AM/FM/WB stereo radio with clock
- ▲ ▲ ▲ AM/FM/WB stereo radio with CD
- ▲ ▲ ▲ 5-amp, 12-volt convertor with one power plug
- ▲ ▲ ▲ 10-amp, 12-volt convertor with two power plugs
- ● ● Cab wired for rotating beacon
- ▲ ▲ ▲ Electrical corrosion-prevention package

### Operator's Station

- ● ● Canopy (conforms to SAE J1040 APR88): ROPS/FOPS / Multiplane isolation mounted for noise/vibration reduction / Optional canopy rear window glass, for noise reduction
- ▲ ▲ ▲ Cab (conforms to SAE J1040 ARP88): ROPS/FOPS / Air conditioning / Heater/defroster / Multiplane isolation mounted for noise/vibration reduction / Front and rear windshield washers and intermittent wipers / Tinted safety glass
- ▲ ▲ ▲ Canopy rear window
- ● ● Seat belt, 3 in. (76 mm), with retractor
- ● ● Air-suspension seat, deluxe vinyl covered with deep foam, high back, adjustable for weight-height, fore-aft position, backrest tilt, and armrest angle
- ▲ ▲ ▲ Air-suspension seat, deluxe cloth covered with deep foam, high back, adjustable for weight-height, fore-aft position, backrest tilt, and armrest angle
- ● ● Seat backrest extension
- ● ● Cup holder, personal cooler holder
- ▲ ▲ ▲ Sun visor for cab

## 444 544 624 Operator's Station (continued)

- ● ● Storage compartment for operator's manual and other items
- ● ● Rubber floor mat
- ● ● Tilt steering column
- ● ● Steering wheel, textured, with spinner knob
- ● ● Rearview mirrors, outside (2) and inside (1) (conform to SAE J985)
- ● ● Handholds and steps, ergonomically located and slip resistant (conform to SAE J185)

### Loader Linkage

- ● ● Loader boom service locking bar (conforms to SAE J38)
- ● ● Z-bar loader linkage
- ▲ ▲ ▲ Powerlift™ linkage for visibility and parallel-lift
- ▲ ▲ ▲ High-lift Z-bar loader linkage

### Buckets and Attachments

- ▲ ▲ ▲ Full line of Deere pin-on buckets with selection of bolt-on cutting edges and teeth-segmented bolt-on cutting edges\*
- ▲ ▲ ▲ Full line of Deere construction utility forks for couplers
- ▲ ▲ ▲ Worksite Pro™ quick-coupler which accepts JRB-pattern attachments
- ▲ ▲ ▲ Hi-vis coupler which accepts Euro-pattern attachments
- ▲ ▲ ▲ Bolt-on fork frame guard
- ▲ ▲ ▲ Hydraulic control system for quick-coupler locking pins, includes all controls in the cab, lines, and valves

### Tires

- 17.5 R 25, L-3T
- ▲ 17.5 R 25, L-2
- ▲ 17.5-25, 12 PR L-3
- ▲ 17.5-25, L-2
- ▲ 20.5-25, 12 PR L-2
- 20.5 R 25, L-3T
- ▲ 20.5 R 25, 1 Star L-2
- 20.5 R 25, 1 Star L-3
- ▲ 20.5-25, 12 PR L-2
- ▲ 20.5-25, 16 PR L-2
- ▲ 20.5-25, 16 PR L-3
- ▲ 550/65 R 25, 1 Star L2
- ▲ 600/65 R 25, L-3T
- ▲ 23.1-26 Logger
- ▲ 28L-26 Logger
- ▲ Single-piece rims
- Multi-piece rims
- Less wheels and tires
- ▲ 8-deg. rear axle stops for extra-large tires and chains

### Other

- ▲ ▲ ▲ Sound-suppression package (Level 1)
- ▲ ▲ ▲ Sound-suppression package (Level 2)
- ● ● Fenders, front
- ▲ ▲ ▲ Fenders, full-coverage, front
- ▲ ▲ ▲ Fenders, full-coverage, front and rear
- ▲ ▲ ▲ Close-mounted steps
- ● ● Articulation locking bar (conforms to SAE J276)
- ● ● Front and rear tie-down points
- ● ● Vandal protection, includes lockable engine enclosure and fuel fill
- ▲ ▲ ▲ Environmental drain valves with hose (engine, transmission, hydraulic oils, and axle coolant)
- ▲ ▲ ▲ Fluid-sampling ports (engine, transmission, hydraulic, axle oils, and engine coolant)
- ● ● Drawbar, with locking pin
- ▲ ▲ ▲ Rear cast bumper/counterweight with integral drawbar
- ▲ ▲ ▲ Transmission side frame guards
- ▲ ▲ ▲ Bottom guards, front frame and transmission
- ▲ ▲ ▲ Lift eyes
- ▲ ▲ ▲ Fire extinguisher
- ▲ ▲ ▲ License plate bracket and light
- ▲ ▲ ▲ Secondary steering
- ▲ ▲ ▲ Loadrite™ weighing system
- ▲ ▲ ▲ Special guarding for waste applications
- ▲ ▲ ▲ JDLINK™



JOHN DEERE

DKAJULDR Litho in U.S.A. (07-04)

Net engine power is with standard equipment including air cleaner, exhaust system, alternator, and cooling fan at test conditions per ISO9249. No derating is required up to 5,000-ft. (1525 m) altitude for the 444J, and the 544J and up to 10,000-ft. (3050 m) altitude for the 624J.

Specifications and design subject to change without notice. Wherever applicable, specifications are in accordance with ISO standards. Except where otherwise noted, these specifications are based on units with standard equipment, ROPS cab, one optional rear counterweight, rear cast bumper/counterweight, 20.5R25 tires, full fuel tank, and 175-lb. (79 kg) operator.

