

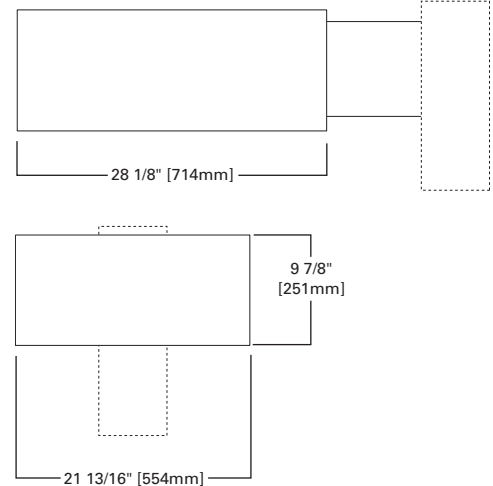
MFT LANDAU

LARGE AREA LUMINAIRE

320-1000W
MH/HPS/SMH



STREETWORKS™



HOUSING

Formed aluminum housing.
ANSI wattage/source label.

REFLECTOR

Anodized, specular aluminum reflector is field-rotatable for forward or side throw illumination.

GASKETING

High temperature door gasket.

DOOR

Extruded aluminum hinged door with tempered-glass lens and captive retaining screws.

BALLAST

Removable ballast assembly with quick disconnect.

FINISH

Standard polyester powder coat finish in bronze. For more color options see optional colors or consult your Streetworks representative for more information.

ORDERING INFORMATION

SAMPLE NUMBER: MFT91MWWFT4

PRODUCT FAMILY	LAMP WATTAGE	LAMP TYPE ¹	BALLAST TYPE ¹	VOLTAGE ¹	DISTRIBUTION	OPTIONS + ACCESSORIES
MFT=Landau	40=400W 91=1000W	S=High Pressure Sodium R=SMH M=Metal Halide	W=CWA	2=120V 0=208V 4=240V 7=277V 8=480V W=Multi-Tap wired 120V N=Multi-Tap wired 277V	FT=Forward Throw 3D=Type III MCO	(See Below)

OPTIONS + ACCESSORIES [Must be listed in the order shown and separated by a dash]

OPTIONS (add as suffix)

- 1=Single Fused, Internally Mounted (120 or 277V)
- 2=Double Fused, Internally Mounted (208, 240, or 480V)
- 4=Photocontrol Receptacle
- WH=White
- BK=Black
- AP=Grey
- DP=Dark Platinum
- GM=Graphite Metallic
- AIR=Arm Included for Round Pole
- AIS=Arm Included for Round Pole
- L=Lamp Included
- HS=House Side Shield

ACCESSORIES (order separately)

- OA1016=Photoelectric Control, 105-285-Volt NEMA Type
- OA1027=Photoelectric Control, 480-Volt NEMA Type
- OA1066=Mast Arm Adapter for Existing 2 3/8" O.D. Horizontal Arm
- OA1090=Adjustable Slipfitter for 2 3/8" O.D. Vertical Tenon
- OA1149=Polycarbonate Vandal Shield, Field Installed
- OA1156=6" Rectangular Arm for Square Pole, .20 EPA
- OA1157=12" Rectangular Arm for Square Pole, .50 EPA
- OA1158=18" Rectangular Arm for Square Pole, .70 EPA
- OA1159=Tenon-mounted Crossarm for Two Units
- OA1160=Tenon-mounted Crossarm for Three Units
- OA1161=Direct Crossarm Mounting Set
- OA1167=6" Rectangular Arm for Round Pole, .20 EPA
- OA1168=12" Rectangular Arm for Round Pole, .50 EPA
- OA1169=18" Rectangular Arm for Round Pole, .70 EPA
- OA1201=Photoelectric Control, 347 Volt NEMA Type

OPTIONAL COLORS [Standard color is bronze, other finish colors available. Consult your Cooper Lighting representative]

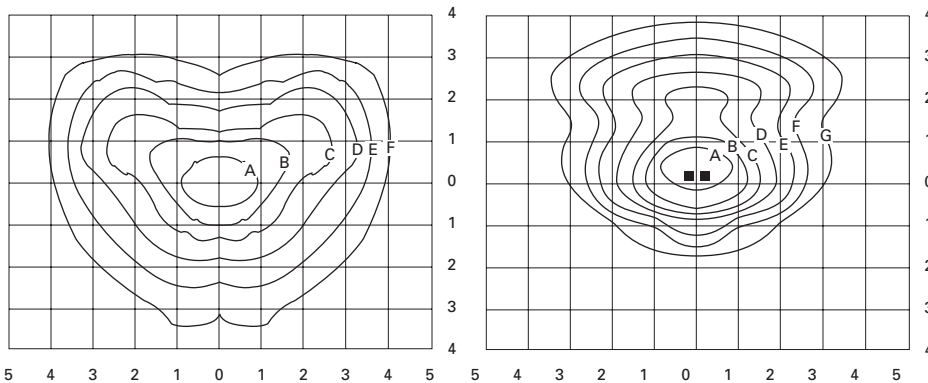


SHIPPING DATA

Approximate Net Weight:
62 lbs. (28.12 kgs.)

NOTE: 1 Refer to technical section for lamp/ballast/voltage compatibility.

PHOTOMETRICS [Complete IES files available at www.cooperlighting.com]



FOOTCANDLE TABLE

Select mounting height and read across for footcandle values of each isofootcandle line. Distance in units of mounting height.

Mounting Height	Footcandles Values for Isofootcandle Lines						
	A	B	C	D	E	F	G
MFT91M3D.IES							
20'	50.0	20.0	10.0	5.00	2.00	1.00	0.50
MFT91MFT.IES							
20'	50.0	20.0	10.0	5.00	2.00	1.00	0.50

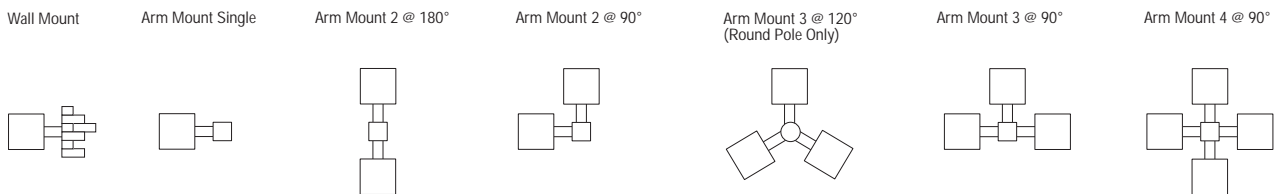
MFT91M3D.IES

1000-Watt MH
110,000-Lumen Lamp
Type III MCO

MFT91MFT.IES [Qty. 2]

1000-Watt MH
110,000-Lumen Lamp
Forward Throw

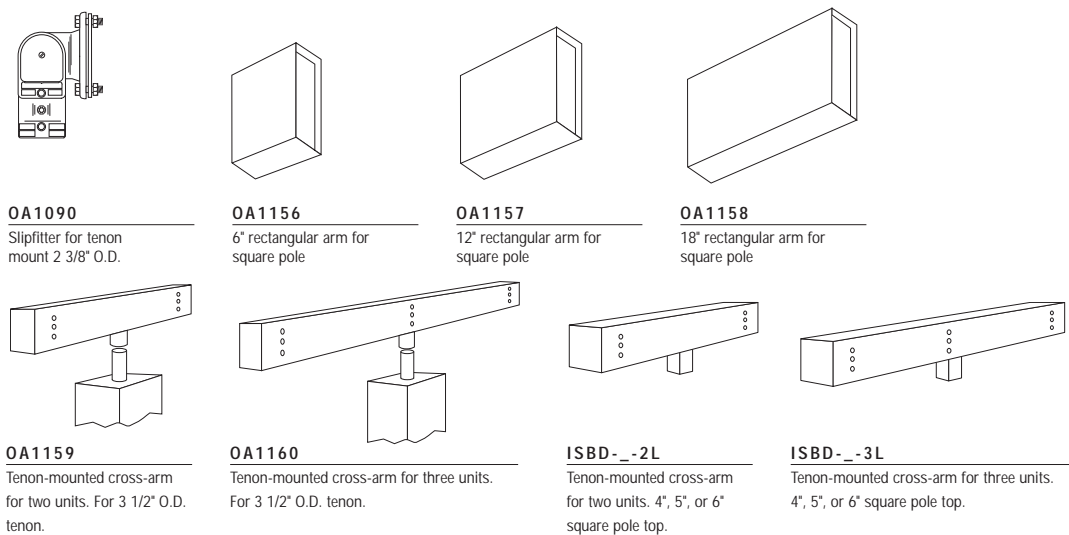
MOUNTING CONFIGURATIONS



E.P.A. TABLE	DRILL PATTERN	SINGLE [W/Arm where applicable]					
		2 @ 180°	2 @ 90°	3 @ 90°	3 @ 120°	4 @ 90°	
MFT	"M"	2.7	5.4	6	8.5	8.5	9.75

NOTE: 1 Assumes 12" arm for 90° and 120° mounting configurations, 6" for all else.

MOUNTING SYSTEMS



NOTE: OA1156, OA1157, OA1158 or OA1161 must be ordered for each fixture when ordering OA1159, OA1160, ISBD-2L or ISBD-3L. Other mounting configurations available. Consult factory. 6" arms (OA1156, OA1167) cannot be used to mount multiple fixtures at 90°.

DRILLING PATTERN

TYPE "M"

