

# ALFIE

THE AQUASAUR™

The Fun Handshower

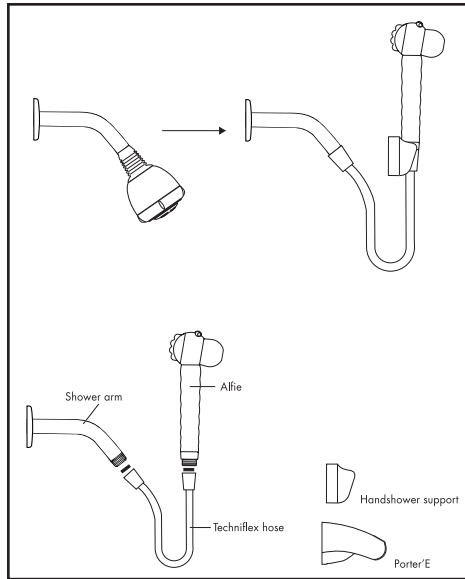
Enclosed you will find complete instructions for installing Alfie the Aquasaur, a brightly colored handshower that makes showering fun. Designed for the young at heart, Alfie features two spraymodes and unique self-cleaning whiskers.

Alfie the Aquasaur is just one of a full range of Hansgrohe products for bath and kitchen. Each product has been carefully designed to be safe, reliable, and easy to use.

If you would like to receive further information on Hansgrohe, please call us at 800 334 0455.

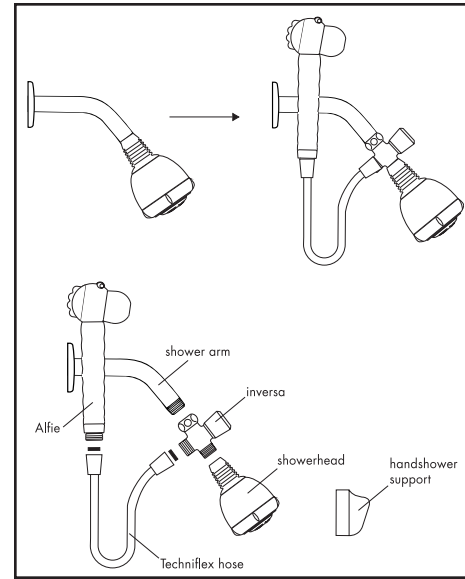
**Shower Power**  
hansgrohe

## REPLACING EXISTING SHOWERHEAD WITH ALFIE



- Unscrew existing showerhead from shower arm.
- Clean threads on shower arm with steel wool and wrap the threads with Teflon™ tape.
- Place a hose washer in the shorter of the two hose end connectors on the Techniflex hose. Screw this end of the hose to the shower arm. If wrench tightening is necessary, use a cloth to protect the finish.
- Place a second hose washer in the longer hose end connector. Attach this end to Alfie and hand tighten.
- Support Alfie with a stationary handshower support (28321000), or an angle-adjustable Porter'E handshower support (27504000).
- Note: see instructions provided with individual products for additional installation guidelines.
- Note: Hansgrohe recommends the use of external vacuum breaker (06510000) between the shower arm and Techniflex hose.

## ADDING ALFIE TO AN EXISTING SHOWERHEAD WITH INVERSA DIVERTER



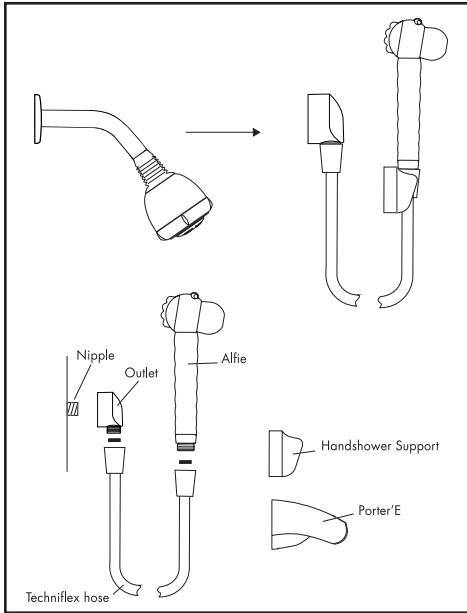
- Remove existing showerhead from the shower arm. If it is necessary to use a wrench, protect the showerhead and shower arm connector with a cloth.
- Clean the shower arm threads with steel wool and wrap with Teflon™ tape.
- Attach Inversa Diverter (28719000) to shower arm. Wrench tighten, using a cloth to protect the finish. Wrap both outlets of the Inversa with Teflon™ tape.
- Reattach the showerhead to the front outlet of the Inversa diverter and wrench tighten.
- Place a hose washer in the shorter hose end connector. Screw the shorter hose end connection to the side outlet port of the Inversa.
- Place a hose washer in the longer hose end connector. Attach this end to Alfie and hand tighten.
- Use handshower support (28321000) to support Alfie.

THE FOLLOWING  
INSTALLATION OPTIONS RE-  
QUIRE IN-WALL  
PLUMBING

INSTALLATION BY A  
PROFESSIONAL PLUMBER IS  
REQUIRED.

**Please note:** in Massachusetts, the maximum output water temperature can be no higher than 112°F.

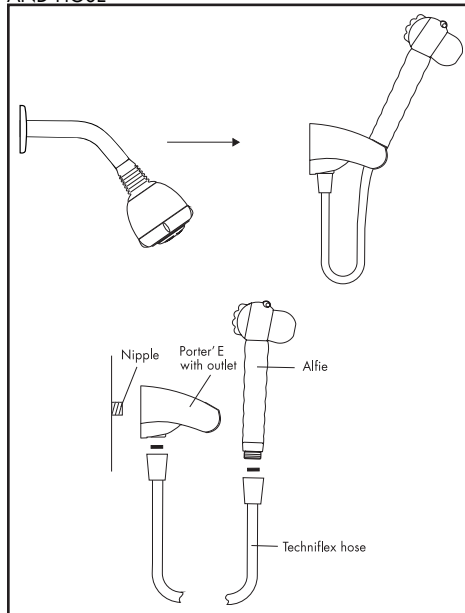
REPLACING EXISTING SHOWERHEAD AND ARM WITH ALFIE AND WALL OUTLET



- Remove existing showerhead and shower arm.
- Obtain a 1/2" male threaded brass nipple. The nipple should be long enough so that it extends 5/8" outside the surface of the finished wall. Wrap both ends of the nipple with Teflon™ tape and install.
- Attach wall outlet (27458001) to the exposed nipple. Wrap the exposed male end of the wall outlet with Teflon™ tape.
- Place a hose washer in the shorter hose end connector. Attach the short hose end connector to the wall outlet. If wrench tightening is necessary, protect the finish with a cloth.
- Place a hose washer in the longer hose end connector. Attach this end to Alfie and hand tighten.
- Support Alfie with a stationary handshower support (28321000) or an angle-adjustable Porter'E handshower support (27504000).

NOTE: THE ABOVE INSTALLATION OPTION SHOULD BE INSTALLED ONLY BY A PROFESSIONAL PLUMBER.

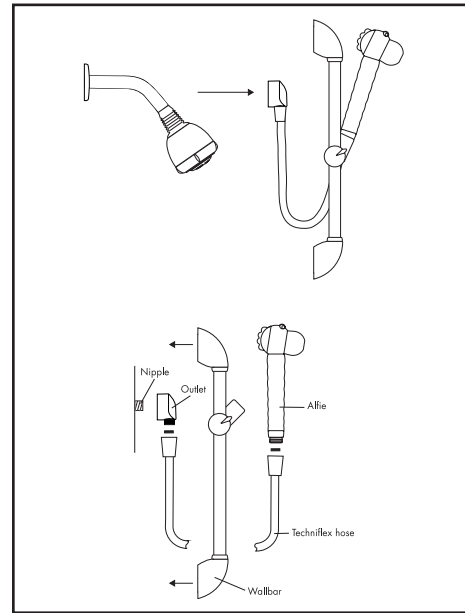
REPLACING EXISTING SHOWERHEAD AND ARM WITH ALFIE AND PORTER'E HANDSHOWER SUPPORT AND HOSE



- Remove existing showerhead and shower arm.
- Obtain a 1/2" male threaded brass nipple. The nipple should be long enough so that it extends 5/8" outside the surface of the finished wall. Wrap both ends of the nipple with Teflon™ tape and install.
- Install the Porter'E with outlet (27508001) mounting piece according to the installation instructions included with it. Install the cover. Wrap the outlet threads with Teflon™ tape.
- Place a hose washer to the shorter hose end connector. Attach this end to the Porter'E. Wrench tighten if desired, but use a cloth to protect the finish on the hose and on the Porter'E.
- Place a hose washer to the longer hose end connector. Attach this end to Alfie and hand tighten.
- Sit Alfie in the holder.

NOTE: THE ABOVE INSTALLATION OPTION SHOULD BE INSTALLED ONLY BY A PROFESSIONAL PLUMBER.

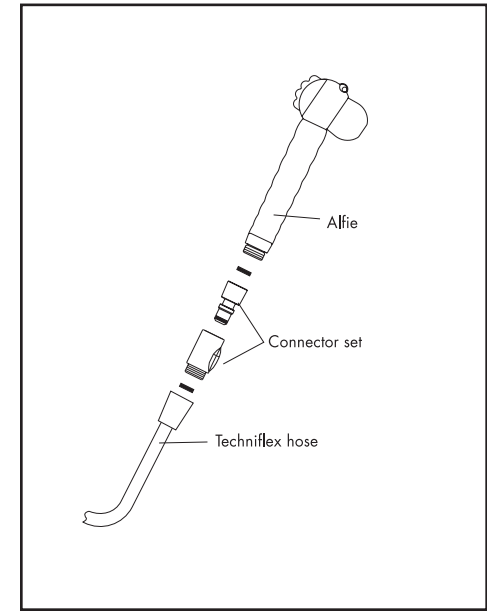
MOUNTING ALFIE ON A WALLBAR WITH WALL OUTLET



- Remove existing showerhead and shower arm.
- Obtain a 1/2" male threaded brass nipple. The nipple should be long enough so that it extends 5/8" outside the surface of the finished wall. Wrap both ends of the nipple with Teflon™ tape and install.
- Install wall outlet (27458001) to the nipple.
- Install wallbar Unica'B (27702000) or Unica'S (27712000) at the desired height.
- Wrap the wall outlet nipple with Teflon™ tape. Place a hose washer in the shorter hose end connector. Screw this end to the wall outlet. Place a hose washer in the longer hose end connector. Attach this end to Alfie and hand tighten..
- Sit Alfie in the holder on the wallbar.

NOTE: THE ABOVE INSTALLATION OPTION SHOULD BE INSTALLED ONLY BY A PROFESSIONAL PLUMBER.

SNAP-ON CONNECTOR SET 28346000  
If Alfie is to be used as an accessory to an



existing handshower, snap-on connector (28346000) can be specified.

NOTE: Disconnect the Alfie handshower from the hose by depressing the button. Handshowers with the snap-on connector are not recommended for use by children, who may accidentally disconnect the handshower while in use.