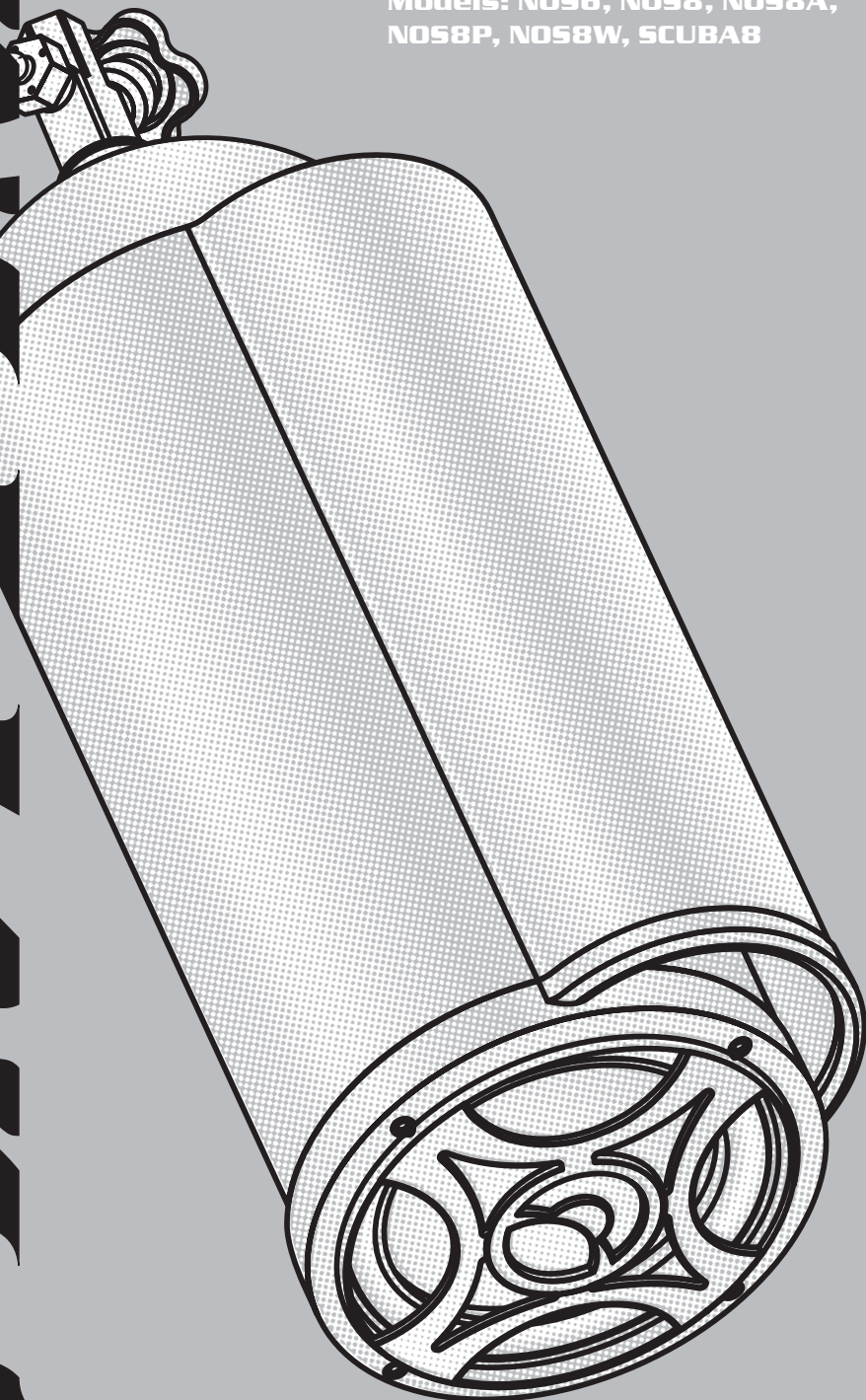


**BAZZOOKA**

# Installation Manual

Models: N056, N058, N058A,  
N058P, N058W, 5CUBA8



Dear Friend,

Thank you for selecting Bazooka® Mobile Audio for your car stereo system. This Bazooka subwoofer represents our continued commitment to efficiency and design. An innovative manufacturing process we developed for the Bazooka provides consumers with state-of-the-art speaker system design. At Bazooka Mobile Audio, we take pride manufacturing the most revolutionary bass speaker systems ever created, featuring our patented Bass Tubes® enclosure design, and we hope you will take pride in owning them.

Several years ago, we realized that efficiency was the wave of the future in autosound, so we made a commitment to design, manufacture, and deliver the most efficient speaker systems possible.

Today we market our patented speaker systems worldwide and the high quality of the Bazooka brand is well respected by consumers and dealers of all nationalities.

When properly installed, Bazooka Mobile Audio systems will give you years of clean uninterrupted sound reproduction. Therefore, I urge you to take a few minutes of your time to review this instruction booklet. It was designed to give you a better understanding of our products and to explain how to apply them properly.

Thank you again for choosing Bazooka. Our early commitment to quality has made them the product of choice, and I am sure you will agree that you have made the right one! Enjoy!

Sincerely,

A handwritten signature in black ink, appearing to read 'Jon C. Jordan', with a long horizontal flourish extending to the left.

JON C. JORDAN  
President  
BAZOOKA Mobile Audio

## **CONTENTS**

<b>Warranty</b>	<b>pg 2</b>
<b>System Features</b>	<b>pg 3</b>
<b>Specifications</b>	<b>pg 3</b>
<b>Pre Installation</b>	<b>pg 4, 5</b>
<b>Finishing The Look Part 1</b>	<b>pg 5</b>
<b>Finishing The Look Part 2</b>	<b>pg 6</b>
<b>Vehicle Placement</b>	<b>pg 7</b>
<b>Mounting The Subwoofer</b>	<b>pg 8</b>
<b>Wiring</b>	<b>pg 9, 10</b>

## **WARRANTY**

All SAS® subwoofer products are covered under warranty for ONE full year from the date of purchase. Terms and conditions of the warranty are as stated on the warranty card included in the box with the product. SAS recommends that you use only authorized BAZOOKA® dealers to install this product. Improper or incorrectly performed installation voids this warranty.

## **BASS TUBES ENCLOSURE**

BAZOOKA® subwoofer speaker systems exclusively incorporate the revolutionary Bass Tubes® patented subwoofer enclosure design available only from SAS.®

## **PRACTICE SAFE LISTENING**

Continuous exposure to high volumes of sound may cause permanent hearing loss. High powered auto sound systems are capable of producing sounds well over 130 dB. Even short periods of play at high volume levels can impair your ability to hear necessary traffic sounds and may constitute a hazard. Please use common sense and practice SAFE LISTENING !

If you have any questions contact  
the SAS Technical Support Department at:  
Phone - **800 THE-TUBE** • Fax - **(225) 272-9844**  
Email - **tech@bazooka.com** • Website - **www.bazooka.com**  
In Canada: **(604) 988 2966**  
15049 Florida Blvd., Baton Rouge, LA. 70819

## SYSTEM FEATURES

- 6" or 8" PURE-PISTON WOOFER
- 150 WATT HIGH POWER AMP (NOS8A ONLY)
- TURBO COOLED VOICE COILS
- BASS REFLEX, DUCTED PORT ENCLOSURE
- CORNER LOADING
- COPLANAR OUTPUT
- HIGH OUTPUT EFFICIENCY
- MOISTURE RESISTANT ENCLOSURE AND WOOFER
- MAXIMIZED SPACE EFFICIENCY
- 1 YEAR WARRANTY
- LARGE MAGNET FOR INCREASED POWER HANDLING

## SPECIFICATIONS: PASSIVE UNITS

Woofer Size	6.5" (NOS6)	8" (NOS8, NOS8W, NOS8P)
Voice Coil Size	1" high power./high temp.	2" high pwr./high temp.
Magnet Size	20 oz.	36 oz.
Frequency response*	39-1500 hz.	39-1500 hz.
Efficiency*	100 dB*	102 dB*
Power Handling	6-100 watts/channel	6-300 watts/channel
Dimensions	18"x6.75"x8"	27.5" x 8.5" x 10"
Weight	11 lbs.	23 lbs.
Impedance	SVC 4 ohm	SVC 4 ohm

## SPECIFICATIONS: NOS8A

Woofer Size	8"
Voice Coil Size	1.5" high power./high temp.
Magnet Size	28 oz.
Frequency response*	39-250 hz.
Efficiency**	102 dB*
Power Handling	150 watts
Dimensions	18.325" x 8.5" x 10"
Weight	20 lbs.
Impedance	4 ohms

\* The efficiency levels of all Bazooka subwoofer speaker systems are measured in the typical environment: In the low bass region with one watt of power.

## **INSTALLATION**

Please take time to read through this manual and plan out your installation before you begin!

Locate an area in the rear of the vehicle where you would like to place the Bazooka speaker systems. The location you have selected must meet the following requirements in order for the Bazooka to be properly installed in the vehicle:

- 1.)** The woofer (grill end) should be facing into a corner. (See vehicle placement recommendations on page 5)
- 2.)** Ideally, there should be 2 to 4 inches between the woofer and the corner it is pointing into.
- 3.)** The mounting area should be carefully checked to be sure that the mounting screws will not damage the gas tank, electrical wiring, fuel lines, or the spare tire during the mounting of the strap bases.
- 4.)** Ensure that the mounting base brackets are 13" apart and square before mounting. Incorrect placement of the brackets will make final mounting difficult or impossible (See mounting on page 8).
- 5.)** The bracket mounting bases should be screwed securely to a rigid surface that is part of, or anchored to, the structure of the vehicle.

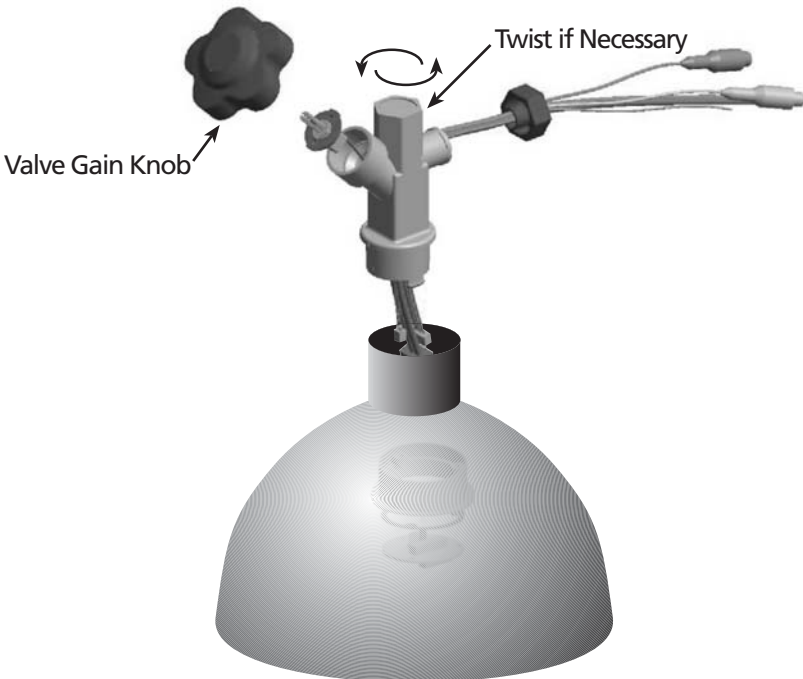
Be sure that your application meets all of these requirements before you continue the installation procedure!

## FINISHING THE LOOK (Step 1)

In order to complete the look of your subwoofer, you will need to install the included wire loom over the wire **and** attach the nozzle to the top of the tank.

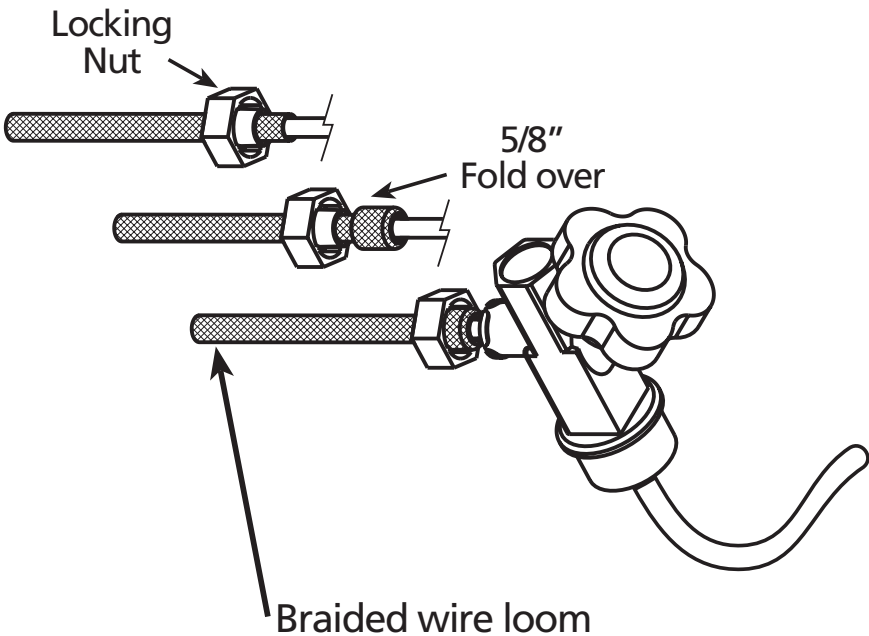
To begin, the wiring needs to be routed THROUGH the nozzle. If necessary, begin by feeding the wire through the nozzle as shown in the picture below. Continue feeding wire through as you push the nozzle into the top of the tank until you hear a "click". **On the NOS8A, the amount of wiring and small area of the nozzle can make this difficult. To make this easier, Bazooka recommends twisting the nozzle assembly around to make the wiring coil up inside the nozzle and take up less space. Be sure not to rotate the nozzle so much that it pulls the wires loose from their connections. Usually, one-and-a-half turns is all that is necessary.**

On the NOS8A, you will also need to install the valve knob onto the gain control at this point.



## FINISHING THE LOOK (Step 2)

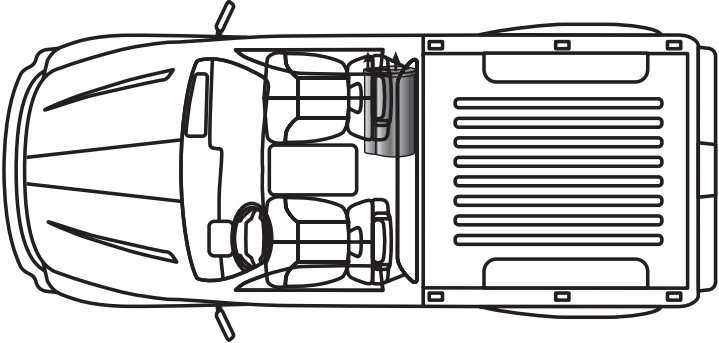
Next, install the wire loom by **pushing** the loom onto the wire, as shown in below. Starting from the free end and working your way up to the nozzle. (**Note: Pulling the wire loom will result in binding, making it more difficult to put the loom in place.**) Remove the locking nut from the nozzle by turning counter-clockwise  $\frac{1}{4}$  turn. Once the wire loom is passed along the length of the wire and through the locking nut, fold the wire loom over itself at least  $\frac{5}{8}$  of an inch, so the end of the loom is flush with the locking nut. Slide the remaining wire and loom through the locking nut, and screw the locking nut into place by turning  $\frac{1}{4}$  turn clockwise.



# VEHICLE PLACEMENT RECOMMENDATIONS

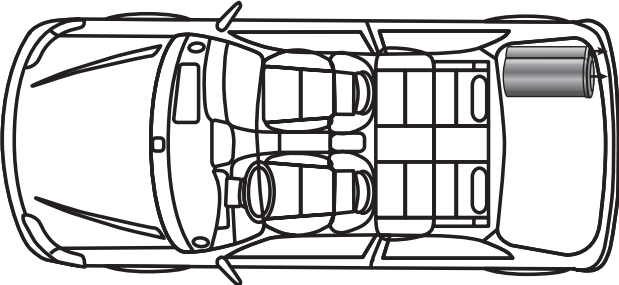
## TRUCK INSTALLATION

tube size is exaggerated for emphasis



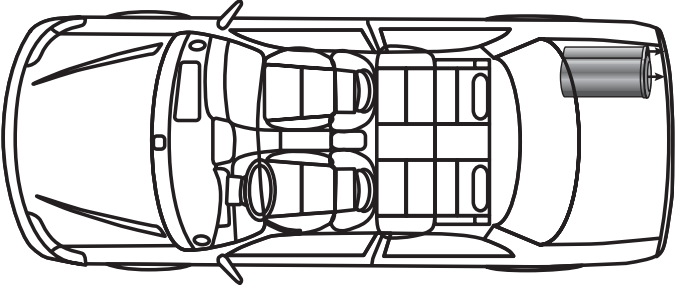
## HATCHBACK INSTALLATION

tube size is exaggerated for emphasis



## SEDAN INSTALLATION

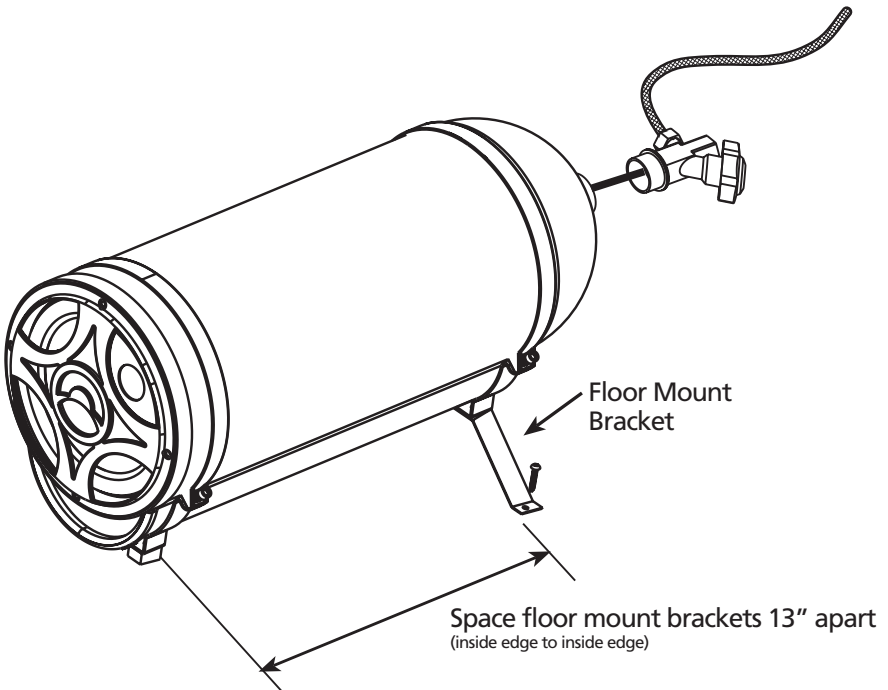
tube size is exaggerated for emphasis



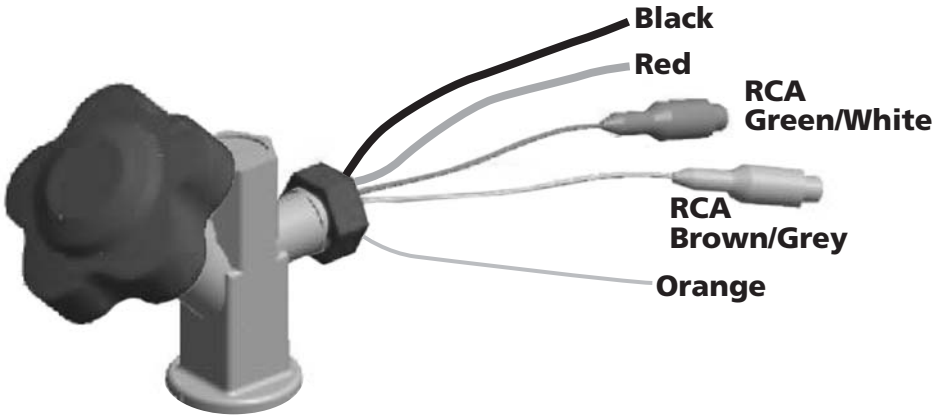


## Mounting the NOS Tube:

Once you have found a suitable location, you need to mount the NOS Tube. Mounting the unit ensures that it will give you years of trouble-free performance, and also guarantees that your unit is correctly oriented for it to operate properly. To begin, mount the bases parallel on the floor of the vehicle with the bases EXACTLY 13 inches apart, from inside edge to inside edge. Mounting these brackets incorrectly will make the final mounting steps difficult or impossible. The tall bracket should be mounted towards the front of the vehicle, to stand the back of the unit up, mimicking an actual NOS installation. Once the brackets are mounted firmly to the vehicle, place the NOS Tube on the brackets, and secure them with the enclosed mounting straps. The straps simply screw into the brackets with the supplied hardware.



## WIRING DIAGRAM (NOS8A Only)



<b>RED 12 GAUGE</b>	<b>+ 12 Volt Battery</b>
<b>BLACK 12 Gauge</b>	<b>Chassis Ground</b>
<b>Orange 16 Gauge</b>	<b>Remote Turn-On</b>
<b>Green/White RCA</b>	<b>Right RCA Input</b>
<b>Brown/Grey RCA</b>	<b>Left RCA Input</b>

### POWER WIRE (NOS8A only)

The power wire must be fused and connected directly to the positive terminal of the battery to provide a power source with a low voltage drop and low noise. Do not make the power connection at the fuse block or any point other than the battery. Improper power sources can reduce output and cause distortion.

The fuse holder should be connected to the battery's positive terminal. The fuse is designed to prevent fire or damage to your car, should the battery wire short to ground. Wait to insert the fuse into its holder until all wire connections have been made.

If it is necessary to lengthen the battery wire, add the required length between the amplifier and the fuse holder, not the fuse holder and the battery. If you need to extend the battery wire, use 12 gauge or larger for NOS8A, it is best to use as short a wire as possible. Be sure you DO NOT run the power wire next to the input cables of the amplifier, this will induce noise. Avoid running the power wire near the radio's

antenna or power leads, or near sensitive equipment or harnesses. The power wire carries substantial currents and could induce noise.

### **GROUND WIRE (NOS8A only)**

The ground wire must be connected directly to the vehicle chassis near the amplifier. We do not recommend extending the ground wire in any installation, as this can cause unwanted ground loops. The ground point in the car should be a piece of chassis metal that is part of or welded to the main body of the vehicle. Painted surfaces should be scraped or sanded clean to expose the bare metal before the ground lug is bolted or screwed down. Cover the bare metal area with paint or grease after you finish mounting the ground wire to prevent rust.

### **REMOTE TURN ON WIRE (NOS8A only)**

The ORANGE wire coming out of the NOS8A subwoofer's nozzle is the Remote Turn On Wire. This wire must be connected to 12 volts switched output from the radio or an accessory wire.

### **INPUT WIRING (NOS8A only)**

Connect the low-level RCA phono jack inputs of the Amplified Bazooka subwoofer to the source with a high quality, shielded RCA patch cord. Right and Left RCA's do not matter; they are summed together internally anyway, but both RCA connections need to be made. If you are connecting to a factory installed radio, or if your radio does NOT have RCA outputs, you will need to purchase a high-to-low-level converter, available at any car audio store. To avoid possible noise problems, be sure to run the RCA cables away from all power wires and factory wire harnesses.

### **SETTING THE LEVEL (NOS8A only)**

The level control on the NOS8A is the "valve" at the top of the unit. The "valve" rotates approximately 270 degrees, with the clockwise direction being up. DO NOT OVER-ROTATE THE GAIN CONTROL. Broken gain controls due to over-rotation ARE NOT covered under warranty. Start with the level control turned all the way to the left (counterclockwise). The bass should be off or very low at this point. Turn up your head unit until the sound from the existing speakers starts to clip or distort. This is the point in your system where you will get maximum volume with the least amount of distortion. With the head unit level still at this point, turn the level gain control up slowly until the bass volume blends well with the existing high frequency speakers. This should be the proper setting for the level gain control.



If you have any questions contact the  
SAS Technical Support Department at:  
Phone - **(800) THE TUBE** • Fax - **(225) 272-9844**  
In Canada: **(604) 988 2966**

Email - **tech@bazooka.com** • Website - **www.bazooka.com**  
15049 Florida Blvd., Baton Rouge, LA. 70819

SAS, BAZOOKA, BASS TUBES, and LISTEN TO YOUR EARS are registered trademarks of  
Southern Audio Services, Inc.

PAT. NO. 4,567,959 • Other design patents pending