



XD1215

INSTALLATION/OWNER'S MANUAL

AM/FM/CD Receiver with Detach Face

COMPACT
disc
DIGITAL AUDIO

AUX
Front Panel Input

Dual[®]



Preparation

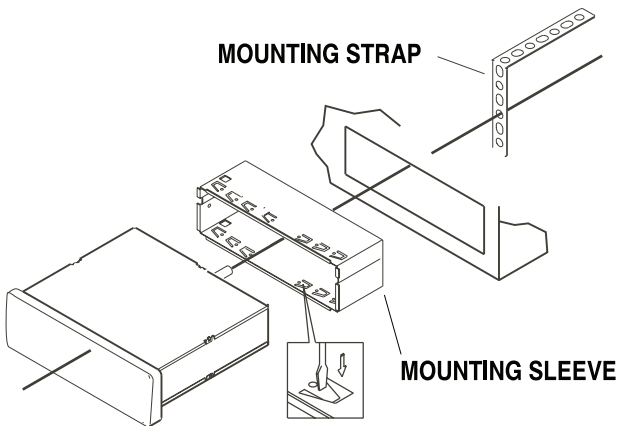
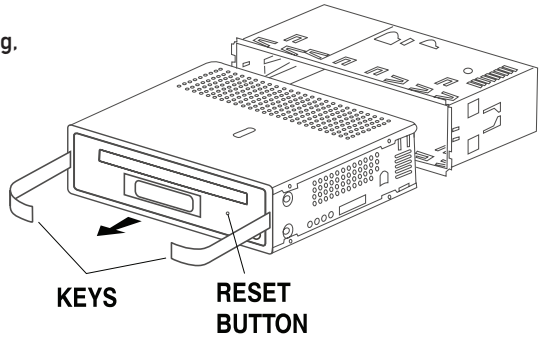
Please read entire manual before installation.

Before You Start

- Disconnect negative battery terminal. Consult a qualified technician for instructions.
- Avoid installing the unit where it would be subject to high temperatures, such as from direct sunlight, or where it would be subject to dust, dirt or excessive vibration.

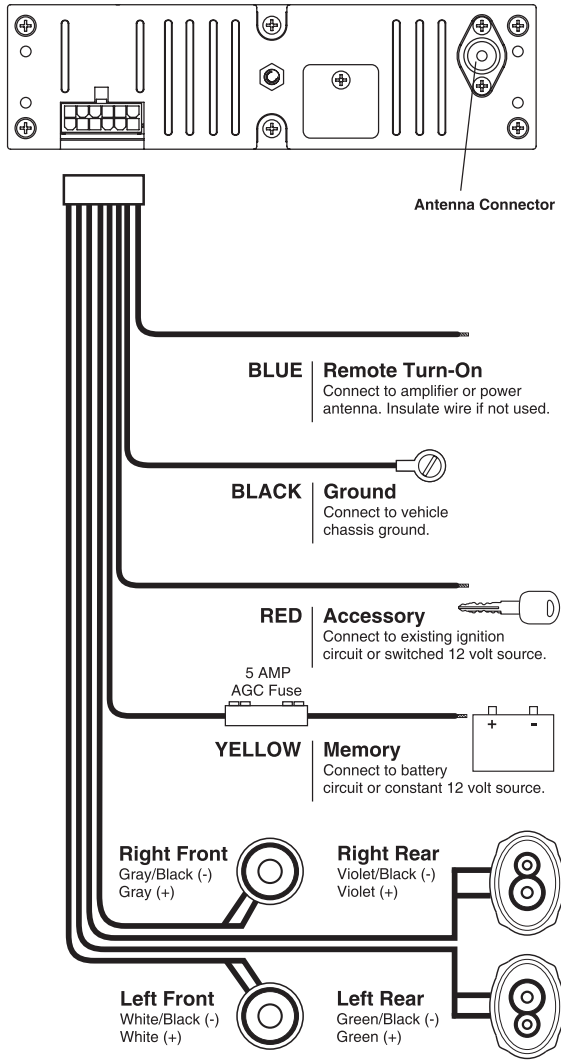
Getting Started

- Remove 2 transit screws located on top of the unit.
- Insert the supplied keys into the slots as shown, and slide the unit out of the mounting sleeve.
- Install mounting sleeve into opening, bending tabs to secure.
- Connect wiring harness and antenna. Consult a qualified technician if you are unsure.
- Certain vehicles may require an installation kit and/or wiring harness adapter (sold separately).
- Test for correct operation and slide into mounting sleeve to secure.
- Snap trim ring into place.



TYPICAL MOUNTING METHOD

Wiring Diagram



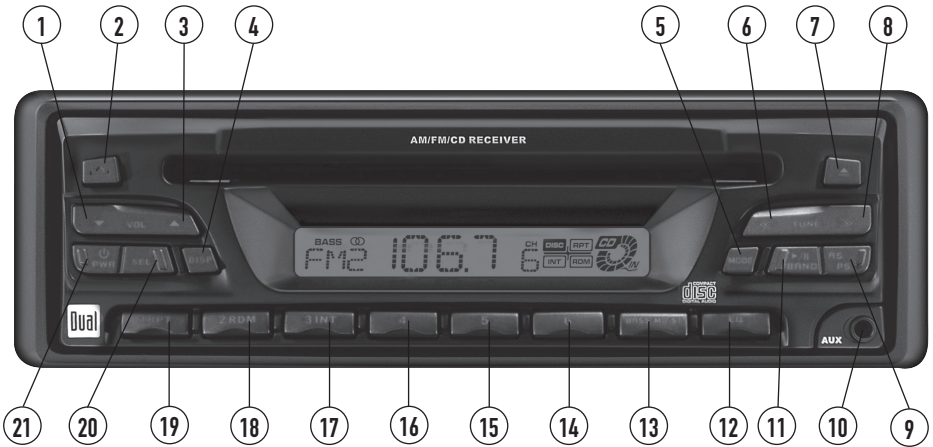
FUSE

When replacing the fuse, make sure new fuse is the correct type and amperage. Using an incorrect fuse could damage the radio. The XD1215 uses one 5 amp AGC fuse located in-line.

* **Caution** - Do not attach any speaker leads to ground as severe damage will occur.



Control Locations



- | | | | |
|---|-------------------------|---|------------------------|
| ① | Volume Down | ⑫ | EQ |
| ② | Release | ⑬ | Bass Boost/Mono/Stereo |
| ③ | Volume Up | ⑭ | Preset 6 |
| ④ | Display | ⑮ | Preset 5 |
| ⑤ | Mode | ⑯ | Preset 4 |
| ⑥ | Tune/Track Down | ⑰ | Preset 3/CD Intro |
| ⑦ | Eject | ⑱ | Preset 2/CD Random |
| ⑧ | Tune/Track Up | ⑲ | Preset 1/CD Repeat |
| ⑨ | Auto Store/Preset Scan | ⑳ | Select |
| ⑩ | Auxiliary Input (3.5mm) | ㉑ | Power |
| ⑪ | Play/Pause/Band | | |

General Operation

Faceplate Removal	Press RELEASE and pull away from the left side to remove. To re-install, insert right side of faceplate first then push left side to secure.
Semi-permanent Faceplate Installation	Remove trim ring and install supplied #1 x 7/32" Phillips head screw through left side of mounting frame into faceplate.
Power On/Off	Press PWR or any other button (except eject) to turn the unit on. Inserting a CD will turn the unit on automatically. Press PWR to turn the unit off.
Mode	Press MODE to select between tuner, CD player and auxiliary input. Modes of operation are indicated in the display.
Auxiliary Input	Insert a standard 3.5mm connector into the AUX input (not included). Connect the other end to headphone or line output of audio device, MP3 player, etc. Press MODE to select AUX input mode.
Bass Boost	Press BASS to activate and deactivate bass boost curve. Activating this feature will enhance the bass frequencies when listening to music at low volumes.
Volume	Adjust volume using VOL ▼ or VOL ▲ (00-46).
Preset EQ Curves	Press EQ to select between CLASSIC, POP, ROCK and OFF (default) equalization curves. Any adjustment to the Bass or Treble settings automatically cancels the current EQ curve (if one is selected).
Display	Press DISP to display the clock. The radio frequency (tuner mode), CD elapsed time/track (CD player mode) or AUX (Auxiliary mode) show by default.
Set the Clock	Press DISP to display the clock, then release. Press and hold DISP for 2 seconds, the clock will begin to flash. Press TUNE << to adjust the hours and TUNE >> to adjust the minutes. Clock settings will be saved after 5 seconds.



General Operation

12/24-hour Clock	The clock will display 12-hour AM/PM time in USA frequency spacing mode (PM 10:00). In European frequency spacing mode, the clock will display 24-hour time (22:00).
Reset	Press the RESET button to reset the unit upon initial installation or if abnormal operation occurs. The RESET button is located behind the faceplate.
Select Audio	Press SEL to select between Volume (default), Bass, Treble, Balance & Fader. →VOLUME → BASS→TREBLE→BALANCE→FADER
Bass	Press SEL until BA appears Press VOL ▼ or VOL ▲ to adjust (-7 minimum / 7 maximum)
Treble	Press SEL until TR appears Press VOL ▼ or VOL ▲ to adjust (-7 minimum / 7 maximum)
Balance	Press SEL until B appears Press VOL ▼ (LEFT) or VOL ▲ (RIGHT) to adjust (BL 15/BR 15) B 00 represents equal balance.
Fader	Press SEL until F appears Press VOL ▼ (FRONT) or VOL ▲ (REAR) to adjust (FF 15/FR 15) F 00 represents equal balance.

Tuner Operation

Seek Tuning	Press TUNE << or >> momentarily to seek the next strong station.
Manual Tuning	Press TUNE << or >> for more than 2 seconds, then release. "MANU" will momentarily appear in the display. Press TUNE << or >> momentarily to move radio frequency up or down one step at a time. Press and hold to advance quickly. If tuning is not adjusted for 5 seconds, the unit will return to seek tuning mode (default). "AUTO" will momentarily appear in the display.
FM Mono/Stereo	Press MO/ST for more than 2 seconds during FM tuner operation to select mono or stereo (default) reception of the broadcast signal.
Band	Press BAND to select between FM1, FM2, FM3 and AM1, AM2 bands.
Frequency Spacing	Press and hold BAND then press TUNE << to select European frequency spacing. Press and hold BAND then press TUNE >> to select USA frequency spacing (default). Anytime frequency spacing is changed, all station presets are erased.
Storing and Recalling Station Presets	Up to 18 FM stations and 12 AM stations can be stored. To store a station, select the desired band and station. Press and hold the desired preset button for more than 2 seconds. When stored, the preset number will appear in the display. The station can be recalled anytime by pressing the corresponding preset button.
Automatically Store Stations	Press AS/PS for more than 2 seconds to automatically store the six strongest stations in the current band.
Preset Scan	Press AS/PS for less than 2 seconds to scan presets 1-6 on the current band, pausing for 5 seconds at each. Press AS/PS again to cancel.



CD Player Operation

Insert CD	With the label facing up, insert a standard size CD into the CD slot. The CD will automatically begin playback.
Eject CD	Press the EJECT button to stop and eject the CD. The unit will change to previous mode of operation (AM, FM, or auxiliary input). If the disc is not removed within 10 seconds, the unit will reload the disc. The unit does not have to be turned on to eject CD.
Track Select	Press TRACK >> to skip to the beginning of the next track. Press TRACK << to return to the beginning of the current track. Pressing TRACK << again skips to the beginning of the previous track.
Fast Forward and Reverse	Press and hold TRACK >> or TRACK << to fast forward or reverse a track.
Pause	Press ▶/ to temporarily stop CD playback. Press ▶/ again to resume playback.
Intro	Press INT to play the first 10 seconds of each track. Press INT again to cancel.
Repeat	Press RPT to continuously repeat selected track. Press RPT again to cancel.
Random	Press RDM to play all tracks in random order. Press RDM again to cancel. Random mode is retained in memory when selecting between tuner, CD player and auxiliary input modes and when the unit is turned on/off.
CD-R/CD-RW Compatibility	Some CD-Rs and CD-RWs may be incompatible with this unit, depending on media type and recording method. CD-R recording sessions must be closed (finalized) for playback.

Troubleshooting

Problem	Cause	Action
Unit will not turn on (no power)	Yellow wire not connected or incorrect voltage	Check connections for proper voltage (11–16VDC)
	Red wire not connected or incorrect voltage	Check connection to ground
	Black wire not connected	Check connection to ground
Unit has power (but no sound)	Fuse blown	Replace fuse
	Speaker wires not connected	Check connections at speakers
	One or more speaker wires touching each other or touching chassis ground	Insulate all bare speaker wires from each other and chassis ground
Unit blows fuses	Yellow or red wire touching chassis ground	Check for pinched wire
	Speaker wires touching chassis ground	Check for pinched wire
	Incorrect fuse rating	Use fuse with correct rating
Excessive skipping	Unit is not mounted correctly or backstrap is not secure	Check mounting sleeve and backstrap support
	Physical defect in media (CD, CD-R or CD-RW)	Check media for scratches
Unit will not accept a disc	CD mechanism position out of alignment	Press EJECT for 3 seconds to reset CD mechanism position
	CD transit screws still in place	Remove 2 transit screws located on top of the unit.

Error Codes

Error Code	Cause	Action
ER-1 appears on display	Disc error	Press eject or RESET
ER-2 appears on display	Mechanism error	Press eject or RESET
ER-3 appears on display	Servo error or disc is in upside down	Press eject or RESET

NOTE:

If you should require additional information or have any performance related questions, please visit our website at www.dualav.com or contact us by one of the following methods:

Call us toll-free at 1-866-382-5476

E-mail us at cs@dualav.com

Do not return the unit to the retailer.



Limited One-Year Warranty

This warranty gives you specific legal rights. You may also have other rights which vary from state to state.

Dual Electronics Corp. warrants this product to the original purchaser to be free from defects in material and workmanship for a period of one year from the date of the original purchase.

Dual Electronics Corp. agrees, at our option, during the warranty period, to repair any defect in material or workmanship or to furnish an equal new, renewed or comparable product (whichever is deemed necessary) in exchange without charges, subject to verification of the defect or malfunction and proof of the date of purchase. Subsequent replacement products are warranted for the balance of the original warranty period.

Who is covered? This warranty is extended to the original retail purchaser for products purchased and used in the U.S.A.

What is covered? This warranty covers all defects in material and workmanship in this product. The following are not covered: installation/removal costs, damage resulting from accident, misuse, abuse, neglect, product modification, improper installation, incorrect line voltage, unauthorized repair or failure to follow instructions supplied with the product, or damage occurring during return shipment of the product.

What to do?

1. Before you call for service, check the troubleshooting guide in your owner's manual. A slight adjustment of any custom controls may save you a service call.
2. If you require service during the warranty period, you must carefully pack the product (preferably in the original package) and ship it by prepaid transportation with a copy of the original receipt from the retailer to an authorized service center.
3. Please describe your problem in writing and include your name, a return UPS shipping address (P.O. Box not acceptable), and a daytime phone number with your shipment.
4. For more information and for the location of the nearest authorized service center please contact us by one of the following methods:
 - Call us toll-free at 1-866-382-5476
 - E-mail us at cs@dualav.com

Exclusion of Certain Damages: This warranty is exclusive and in lieu of any and all other warranties, expressed or implied, including without limitation the implied warranties of merchantability and fitness for a particular purpose and any obligation, liability, right, claim or remedy in contract or tort, whether or not arising from the company's negligence, actual or imputed. No person or representative is authorized to assume for the company any other liability in connection with the sale of this product. In no event shall the company be liable for indirect, incidental or consequential damages.





XD1215 SPECIFICATIONS

Specifications

CD Player	Frequency response: 20Hz-20kHz Channel separation @ 1kHz: >65dB D/A converter: 1 Bit
FM Tuner	Tuning range: 87.5MHz-107.9MHz Usable sensitivity: 12dBf 50dB quieting sensitivity: 16dBf Stereo separation @ 1kHz: 40dB Frequency response: 30Hz-13kHz
AM Tuner	Tuning range: 530kHz-1710kHz Usable sensitivity: 30uV Frequency response: 80Hz-2kHz
General	Operating voltage: 11-16 VDC, negative ground Speaker output impedance: 4-8 ohms Fuse: 5 amp AGC Dimensions: 7" x 7" x 2" (178 x 178 x 51 mm)

Design and specifications subject to change without notice.



CEA-2006 Power Standard Specifications

(reference: 14.4VDC +/- 0.2V, 20Hz~20kHz)

Power Output: 5 Watts RMS x 4 channels at 4 ohms and $\leq 1\%$ THD+N
Signal to noise ratio: 75dB (reference: 1 watt into 4 ohms)



Dual Electronics Corp.
Toll Free: 1-866-382-5476

www.dualav.com

©2008 Dual Electronics Corp. All rights reserved.

NSA0908-V01