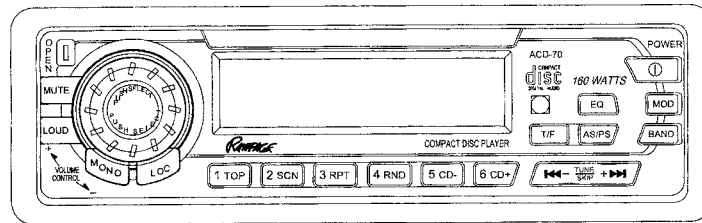


RAMPAGE
BY AUDIOVOX™

**OWNER'S MANUAL
MANUAL DEL USUARIO**



ACD-70

**FOLD-DOWN DETACHABLE FRONT PANEL ELECTRONICALLY-TUNED
AM/FM/MPX RADIO WITH CD PLAYER, CD CHANGER CONTROLS,
WIRELESS REMOTE CONTROL AND QUARTZ CLOCK**

**RADIO AM/FM/MPX CON SINTONIZACIÓN ELECTRÓNICA Y PANEL
DELANTERO DESMONTABLE QUE SE PLIEGA HACIA ABAJO CON
REPRODUCTOR DE DISCOS COMPACTOS, CONTROLES DE
CAMBIADOR DE CD, CONTROL REMOTO INALÁMBRICO Y RELOJ
DE CUARZO**



INSTALLATION INSTRUCTIONS

This unit is designed for installation in cars, trucks, and vans with an existing radio opening. In many cases, a special installation kit will be required to mount the radio to the dashboard. These kits are available at electronics supply stores and car stereo specialist shops. Always check the kit application before purchasing to make sure the kit works with your vehicle. If you need a kit but cannot find it available, call our toll-free "HELP" line at **1-800-645-4994**.

UNIVERSAL INSTALLATION PROCEDURE USING MOUNTING SLEEVE

1. Open, fold down and remove the detachable front panel, if it is attached to the chassis, by grasping the grooved center portion and pulling the panel assembly straight out. Slide the mounting sleeve off of the chassis. If it is locked into position, use the removal tools (supplied) to disengage it.
2. Check the dashboard opening size by sliding the mounting sleeve into it. If the opening is not large enough, carefully cut or file as necessary until the sleeve easily slides into the opening. Do not force the sleeve into the opening or cause it to bend or bow. Check that there will be sufficient space behind the dashboard for the radio chassis.
3. Locate the series of bend tabs along the top, bottom, and sides of the mounting sleeve. With the sleeve fully inserted into the dashboard opening, bend as many of the tabs outward as necessary so that the sleeve is firmly secured to the dashboard.
4. Place the radio in front of the dashboard opening so that the wiring can be brought through the mounting sleeve. Follow the wiring diagram carefully and make certain all connections of the wiring harness are secure and insulated with wire nuts or electrical tape to insure proper operation of the unit. After completing the wiring connections, attach the front panel and turn the unit on to confirm operation (ignition switch must be "on"). If unit does not operate, re-check all wiring until problem is corrected. Once proper operation is achieved, turn off the ignition switch and proceed with final mounting of the chassis.
5. Carefully slide the radio into the mounting sleeve making sure it is right-side-up until it is fully seated and the spring clips lock it into place.
6. Attach one end of the perforated support strap (supplied) to the screw stud on the rear of the chassis using the hex nut provided. Fasten the other end of the perforated strap to a secure part of the dashboard either above or below the radio using the screw and hex nut provided. Bend the strap to position it as necessary.
CAUTION: The rear of the radio must be supported with the strap to prevent damage to the dashboard from the weight of the radio or improper operation due to vibration.
7. Re-attach the front panel to the chassis and test radio operation by referring to the Operating Instructions for the unit.

INSTALLATION USING KITS

1. If your vehicle requires the use of an installation kit to mount this radio, follow the instructions included with the installation kit to attach the radio to the mounting plate supplied with the kit.
2. Wire and test the radio as described in Step 4 above.
3. Install the radio/mounting plate assembly to the sub-dashboard according to the instructions of the installation kit.
4. Attach the support strap to the radio and dashboard as described in Step 6 above.
5. Replace the dashboard trim panel.

ISO INSTALLATION PROCEDURE

This unit has threaded holes in the chassis side panels which may be used with the original factory mounting brackets of some Toyota, Nissan, Mitsubishi, Isuzu, Hyundai and Honda vehicles to mount the radio to the dashboard. Please consult with your local car stereo specialist shop for assistance on this type of installation.

1. Remove the existing factory radio from its dashboard or center console mounting. Save all hardware and brackets as they will be used to mount the new radio.
2. Carefully un-snap the plastic frame from the front of the new radio chassis. Remove and discard the frame.
3. Remove the factory mounting brackets and hardware from the existing radio and attach them to the new radio.
CAUTION: DO NOT EXCEED M5 X 8 MM MAXIMUM SCREW SIZE.
LONGER SCREWS MAY TOUCH AND DAMAGE COMPONENTS INSIDE THE CHASSIS.
4. Wire the new radio to the vehicle as per step 4 above.
5. Mount the new radio assembly to the dashboard or center console using the reverse procedure of step 1.

TOLL-FREE INSTALLATION ASSISTANCE

The installation and wiring connections for this unit are so simple, we doubt you'll need our help, but, if you do, we're here to help you. Just call our toll-free telephone assistance line at **1-800-645-4994** during the days and hours shown (U.S.A. and Canada only).

DAY	TIME ZONE			
	PACIFIC	MOUNTAIN	CENTRAL	EASTERN
MON. - FRI.	5:30AM - 4PM	6:30AM - 5PM	7:30AM - 6PM	8:30AM - 7PM
SATURDAY	6AM - 2PM	7AM - 3PM	8AM - 4PM	9AM - 5PM

UNIVERSAL INSTALLATION USING MOUNTING SLEEVE

EXISTING DASH OPENING
FILE EDGES TO FIT IF NECESSARY - DO NOT OVERFILE
NOTE: IF DASH IS SOLID, USE REAR SIDE (WITHOUT THE LIP) OF MOUNTING SLEEVE AS A TEMPLATE & CUT OPENING

BEND TOP TABS UPWARD

BEND BOTTOM TABS DOWNWARD

CAUTION:
FOR PROPER OPERATION OF THE CD PLAYER, THE CHASSIS MUST BE MOUNTED WITHIN 20° OF HORIZONTAL. MAKE SURE THE UNIT IS MOUNTED WITHIN THIS LIMITATION.

20° MAX.

FRONT PANEL

FASTEN THIS END TO SECURE PART OF DASHBOARD. DRILL HOLE IF NECESSARY.

ISO INSTALLATION

REMOVE THE PLASTIC FRAME FROM THE FRONT OF THE CHASSIS BY CAREFULLY UN-SNAPPING IT.

UN-SNAP AT 2 PLACES EACH ON TOP AND BOTTOM

PLASTIC FRAME

TYPICAL INSTALLATION

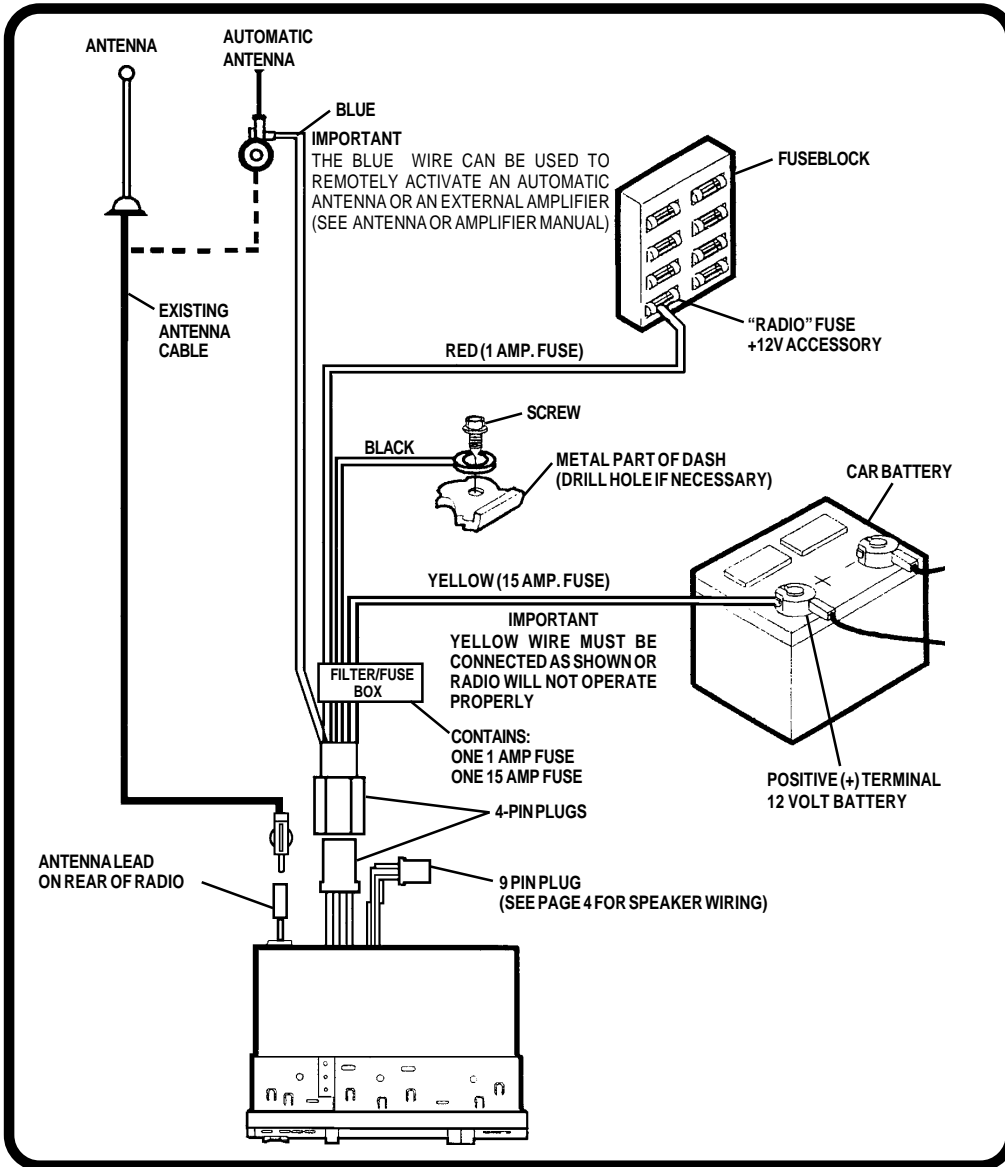
MAXIMUM SCREW SIZE M5 x 8

MAXIMUM SCREW SIZE M5 x 8

FACTORY MOUNTING BRACKETS

RADIO WIRING

REFER TO PAGE 4 FOR SPEAKER WIRING

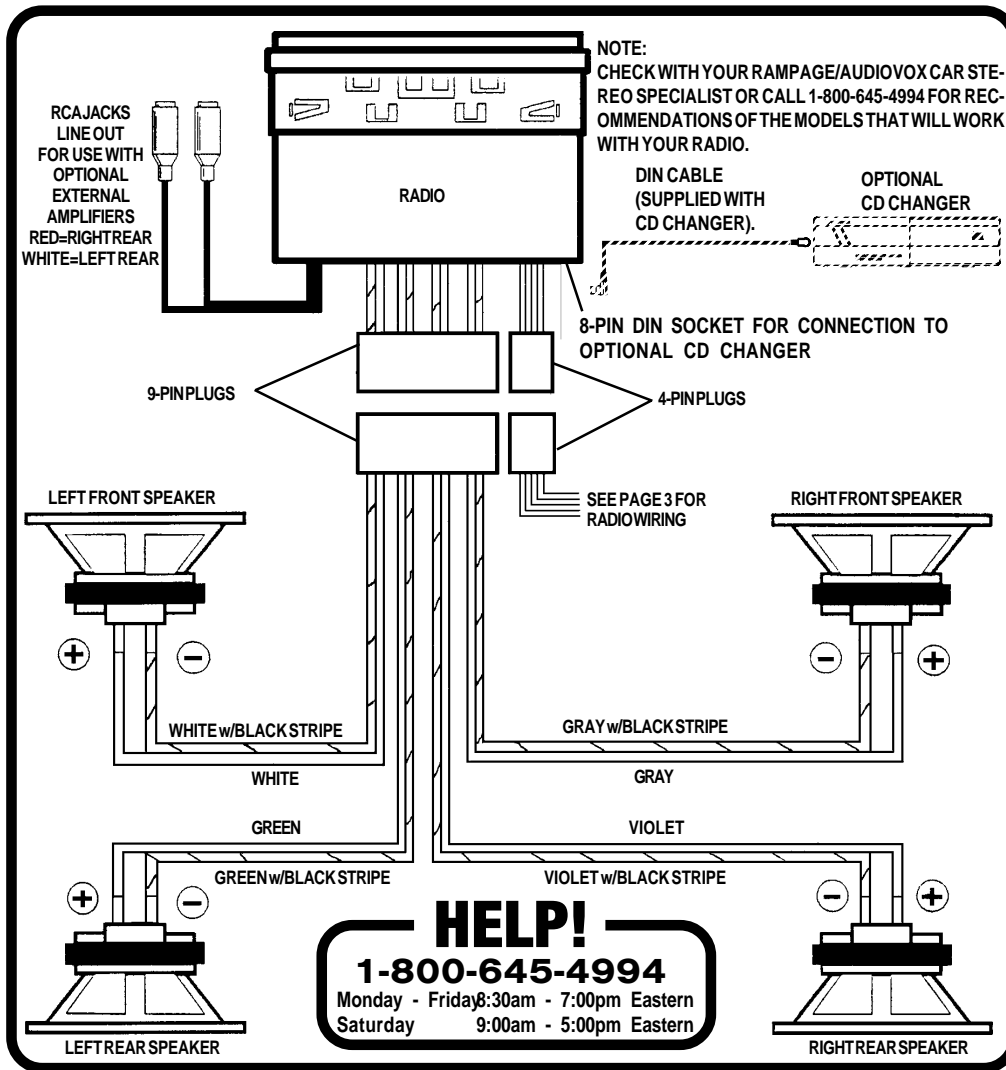


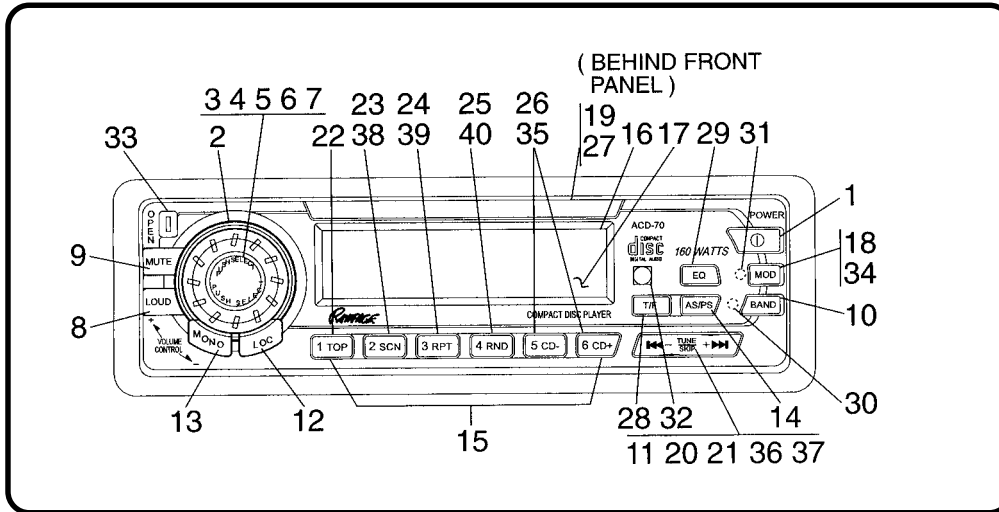
SPEAKER WIRING

REFER TO PAGE 3
FOR RADIO WIRING

WARNING!

- THE AMPLIFIERS IN THIS RADIO ARE **ONLY** DESIGNED FOR USE WITH 4 SPEAKERS.
- **NEVER** COMBINE (BRIDGE) OUTPUTS FOR USE WITH 2 SPEAKERS.
- **NEVER** GROUND NEGATIVE SPEAKER LEADS TO CHASSIS GROUND.
- FAILURE TO WIRE EXACTLY AS SHOWN BELOW MAY CAUSE ELECTRICAL





① **ON-OFF POWER BUTTON (①)**

Press this button to turn the unit on or off. The unit will also turn on automatically when a compact disc is inserted if the ignition switch is "on".

② **VOLUME (LEVEL) CONTROL**

To increase the volume level, turn the knob clockwise. The volume will increase and the level will be shown on the display panel from a minimum of **VOL 00** to a maximum of **VOL 39**. To decrease the volume level, turn the knob counter-clockwise. The display will automatically return to the normal indication 5 seconds after the last volume adjustment or when another function is activated. This control is also used in conjunction with the Push Select Control button ③ to adjust the bass, treble, balance and fader levels as described in ④, ⑤, ⑥ and ⑦.

③ **PUSH SELECT CONTROL BUTTON**

This button, which is integral to the VOLUME

CONTROL, is used to select the audio function (volume, bass, treble, balance, or fade) whose setting is adjusted using the VOLUME CONTROL ②. Pressing the Push Select control button once will set the unit for bass adjustment (**BAS** will appear on the display panel) and an audible beep will occur. Pressing the button additional times will select treble adjustment (**TRE** on the display), balance (**BAL**), or fader (**FAD**), each accompanied by a beep tone. The display will automatically return to the normal indication 5 seconds after the last adjustment or when another function is activated.

④ **BASS CONTROL**

To adjust the bass level, first select the Bass mode by pressing the Select button ③ so the **BAS** indication appears on the display panel. Within 5 seconds of choosing the Bass mode, turn the Level control ② counter-clockwise to decrease the bass

response or clockwise to increase it as desired. The level will be shown on the display panel from a minimum **BAS -12** to a maximum of **BAS +12** (**BAS 00** indicates flat response). The display will automatically return to the normal indication 5 seconds after the last adjustment or when another function is activated.

⑤ TREBLE CONTROL

To adjust the treble level, first select the Treble mode by pressing the Select button ③ so the **TRE** indication appears on the display panel. Within 5 seconds of choosing the Treble mode, turn the Level control ② counter-clockwise to decrease the treble response or clockwise to increase it as desired. The level will be shown on the display panel from a minimum **TRE -12** to a maximum of **TRE +12** (**TRE 00** indicates flat response). The display will automatically return to the normal indication 5 seconds after the last adjustment or when another function is activated.

⑥ LEFT/RIGHT BALANCE CONTROL

To adjust the left-right speaker balance, first select the Balance mode by pressing the Select button ③ so the **BAL** indication appears on the display panel. Within 5 seconds of choosing the Balance mode, turn the Level control ② counter-clockwise to adjust the stereo balance to the left channel speakers or clockwise to adjust it to the right channel speakers. The balance position will be shown on the display panel from **BAL L16** (full left) to **BAL R16** (full right). When the volume level between the left and right speakers is equal, **BAL 00** will be shown on the display panel. The display will automatically return to the normal indication 5 seconds after the last

adjustment or when another function is activated.

⑦ FRONT/REAR FADER CONTROL

To adjust the front-rear speaker balance, first select the Fader mode by pressing the Select button ③ so the **FAD** indication appears on the display panel. Within 5 seconds of choosing the Fader mode, turn the Level control ② counter-clockwise to adjust the front-rear speaker balance to the rear speakers or clockwise to adjust it to the front speakers. The fader position will be shown on the display panel from **FAD R16** (full rear) to **FAD F16** (full front). When the level between the front and rear speakers is equal, **FAD 00** will be shown on the display panel. The display will automatically return to the normal indication 5 seconds after the last adjustment or when another function is activated.

⑧ LOUDNESS CONTOUR (LOUD)

When listening to music at low volume levels, this feature will boost the bass and treble ranges to compensate for the characteristics of human hearing. Press the button momentarily to activate this feature and the indication **LOUD** will appear on the display panel. Pressing the button again momentarily will deactivate the feature (the **LOUD** indication will disappear from the display panel).

⑨ AUDIO MUTE SELECTOR (MUTE)

Press this button momentarily to mute the volume from the system (**MUTE** will appear blinking on the display panel). Pressing the button again or adjusting the Volume control ② will return to the volume level setting in use before the Mute function was activated.

⑩ AM/FM BAND SELECTOR (BAND)

Each time this button is pressed, the radio band is changed. The indication **AM1**, **AM2**, **FM1**, **FM2** or **FM3** will appear on the display panel according to your selection.

During disc play, pressing this button will stop play of the disc and switch to radio operation without ejecting the disc. During this time, the indication will remain on the display panel to show that a disc is still loaded in the unit. Press the **MOD** button **⑮** to return to disc play from the beginning of the last track in play.

⑪ MANUAL UP/DOWN TUNING (+ ►► / ◀◀ -) AUTOMATIC SEEK TUNING (SEEK)

To manually select a radio station, momentarily press the Up Tuning (+ ►►) side of the button to advance the unit two digits higher or the Down Tuning (◀◀ -) side of the button to tune two digits lower.

Pressing either side of the button for longer than 0.5 seconds and then releasing will activate the Automatic Seek Tuning function. The radio will seek the next station in the selected direction and stop at that frequency. The Seek function can be stopped by pressing the button again or activating any other tuning function.




Pressing and holding either side of the button for longer than 0.5 seconds will cause the radio to continue tuning rapidly in the selected direction until the next available station and stop there.

⑫ LOCAL/DISTANT SELECTOR (LOC)

This feature is used to select the strength of the signals at which the radio will stop during Automatic Seek Tuning. Pressing the button will select the Local setting (**LOC** will appear on the display panel) and only strong (local)

stations will be received. Pressing the button again will select the Distant setting (**LOC** will disappear from the display panel) and the radio will stop at a wider range of signals, including weaker (more distant) stations.

⑬ FM MONO/STEREO SELECTOR (MONO)

During FM radio operation, this button is used to select mono or stereo reception of the broadcast signal. Under normal reception conditions, the unit should be left in the stereo mode as indicated by the **ST**  indication on the display panel when tuned to an FM stereo signal. If the stereo signal is too noisy for comfortable listening, press the FM Mono/Stereo Selector button to switch to mono reception (the **ST**  indication will disappear from the display panel). To return to stereo reception mode, press the button again so that the **ST**  indication appears in the display panel.

⑭ PRE-SET SCAN (PS)**AUTO-STORE TUNING (AS)**

Press this button momentarily to scan the stations pre-set into the 12 memories of the AM bands or the 18 memories of the FM bands. The unit will stop at each pre-set station for 5 seconds before continuing to the next pre-set station (the pre-set number on the display panel will flash during Pre-Set Scan operation). Press the button again momentarily to stop Pre-Set Scan operation and remain on the selected frequency. If no buttons are pressed during the scan, the unit will return to the original station before the scan.

Pressing and holding the button for longer than 2 seconds will activate the Auto-Store Tuning feature which will automatically scan and enter up to 6 stations into the pre-set memories on the band in use. If you have already set the pre-set memories to your

favorite stations, activating the Auto-Store Tuning feature will erase those stations and enter the new ones. This feature is most useful when travelling in a new area where you are not familiar with the local stations.

⑮ STATION PRE-SET MEMORIES

To set any of the 6 pre-set memories in each band, use the following procedure:

1. Turn the radio on and select the desired band.
2. Select the first station to be pre-set using the Manual Up/Down or Automatic Seek Tuning Controls ⑩.
3. Press the pre-set button to be set and continue to hold it in for approximately 2 seconds. The pre-set number will appear on the display panel and two beeps will sound, indicating that the station is now set into that pre-set memory position. The station can now be recalled at any time by pressing that button.
4. Repeat the above procedure for the remaining 5 pre-sets on that band and for the other 4 bands on the unit.

⑯ LIQUID CRYSTAL DISPLAY PANEL

The Liquid Crystal Display (LCD) panel displays the frequency, time, and activated functions.

NOTE: It is a characteristic of LCD panels that, if subjected to cold temperatures for an extended period of time, they may take longer to illuminate than under normal conditions. In addition, the visibility of the numbers on the LCD may slightly decrease. The LCD read-out will return to normal when the temperature increases to a normal range.

⑰ FUNCTION DISPLAY


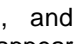
The Function Display consists of five bar graphs which provide a visual representation of the volume level and the left and right channel balance levels. The volume level is represented by three thin bar graphs. As the volume is increased, the number of illuminated segments will increase. The left and right channels are represented by the wider bar graphs. As the signal is applied to either the left or right channel, the number of illuminated segments will increase.

⑱ MODE SELECTOR (MOD)

This button is used to select the radio, CD player or CD changer (if installed) playback mode. Each press of the button will select a different mode as indicated on the display panel.

During CD player operation, this button may be used to change to radio CD player or CD changer mode without ejecting the disc. The indication will remain on the display panel to show that the disc is still loaded in the unit. The **DISC** indication will remain on the display panel to show that the CD changer is operating. Press the button again to return to CD player mode and resume play of the disc from the point at which it was stopped.

⑲ DISC SLOT

With the front panel in the fold-down position, gently insert the disc into the slot (label surface facing up) until the soft-loading mechanism engages and pulls the disc in. The **LOAD** indication will momentarily appear on the display panel followed by the total playing time of the disc. The  indication illuminates and becomes animated, the  **IN** symbol lights, and the track number and elapsed time will appear on the display panel.

CAUTION: This unit is designed for play of **ONLY**. Do not attempt to use 3" (8cm) CD-Singles in this unit, either with or without an adapter, as damage to the player and/or disc can occur. Such damage will not be covered by the Warranty on this product.

⑳ TRACK SELECT (+ ►► / ◀◀ -)

The Track Select functions are used to quickly access the beginning of a particular track. Each time the Forward Track Select (+ ►►) side of the button is pressed, the next higher track number will be selected as shown on the display panel. Similarly, each time the Backward Track Select (- ◀◀) side of the button is pressed, the next lower track number will be selected as shown on the display panel.

㉑ CUE/REVIEW FUNCTIONS (+ ►► / ◀◀ -)

High-speed audible search to any section of the disc can be made by the Cue and Review functions. Press and hold the Cue (+ ►►) side of the button to advance rapidly in the forward direction. (The advancing disc playing time will be shown on the display panel) or the Review (- ◀◀) side of the button to advance rapidly in the backward direction (The decreasing disc playing time will be shown on the display panel). During either function, the elapsed time within each track will automatically be shown on the display panel.

㉒ TRACK ONE POSITION (TOP)

The Track One Position function is used to quickly return to the beginning of the CD, Track 1.

㉓ TRACK SCAN SELECTOR (SCN)

During disc play, press this button to play the first 10 seconds of each track on the disc (**SCAN**) will appear on the display panel). When a desired track is reached, press the Intro-Scan button again to cancel the function (**SCAN** will disappear from the display panel) and play of the selected track will continue. Scan mode will also be canceled by activating the Repeat Play ㉔, or Random Play ㉕.

㉔ REPEAT PLAY SELECTOR (RPT)

During disc play, press this button to repeat the play of the selected track (**RPT** will appear on the display panel). Play of the track will continue to repeat until the button is pressed again and the **RPT** indication disappears from the display panel. Repeat Play mode will also be canceled by activating the Track Scan ㉓ or Random Play ㉕ functions.

㉕ RANDOM PLAY SELECTOR (RND)

During disc play, press this button to play the tracks on the disc in a random shuffled order (**RND** will appear on the display panel). In Random Play mode, the Track Select function ㉑ will also select tracks in the random order instead of the normal progression. The Random Play mode can be canceled by pressing the button again (**RND** indication will disappear from the display panel) or by activating the Repeat Play ㉔ or Track Scan ㉓ functions.

㉖ DISC SELECT UP/DOWN (D+/D-)

These buttons are used to select the desired disc for play. To advance to a higher number disc, press the **D+** button, and to return to a lower number disc, press the **D-** button. The number of the disc in play will be shown on the display panel.

⑳ DISC EJECT (▲)

Disc play is stopped and the disc is ejected when the front panel is folded down and this button on the rear of the panel is pressed. Radio or CD changer operation will automatically resume depending on which mode was in operation prior to disc play. If the disc is not removed from the unit within 10 seconds of being ejected, it will automatically be re-loaded into the unit to prevent it from being accidentally damaged (⋯▶⊖IN will appear on the display panel to indicate that a disc is loaded in the player). Play of the disc can be resumed by using the Mode Selector ⑱ to choose CD player function.

㉑ TIME/FREQUENCY SELECTOR (T/F)

During radio operation, press this button to call the time display on the incorporated quartz clock. The display will return to the radio frequency indication after 5 seconds. During CD player operation, the first press of the button will call the track elapsed time on the display panel. A second press will call the time display. During CD changer operation the first press of the button will call the time display. A second press will call the disc slot number and track number in play. In either case, the display will return to the disc indication after 5 seconds.

㉒ EQUALIZER BUTTON (EQ)

The **EQ** button applies preset sound effects to the unit's audio output signal. The **EQ** button, when pressed, will activate one of three operating modes (**ROCK**, **CLAS**, or **POP**). When the **EQ** function is active the bass and treble levels cannot be changed. When the **EQ** function is not active, the unit returns to the user set bass and treble levels.

㉓ THEFT-DETERRENT LED

Located on the chassis behind the front panel, a light-emitting diode (LED) will flash when the panel is physically removed. The flashing light serves as a visual warning to the would-be thief that the unit has been disabled by removal of the front panel.

㉔ RESET BUTTON

circuitry and should only be activated under the following circumstances as it will erase the time and pre-set memories:

1. Upon initial installation after all wiring is completed.
2. If there is a malfunction of any of the switches, on the unit, pressing the RESET button may clear the system and return to normal operation.

㉕ REMOTE SENSOR

The sensor to detect the infrared signal from the wireless remote control is located behind this lens. For optimum operation of the remote control, always aim the control at this sensor.

㉖ FRONT PANEL RELEASE BUTTON (OPEN)

This button is used to release the mechanism that holds the front panel to the chassis. To detach the front panel, press the button so that the panel drops to the lowered position. Grasp the panel at the middle and pull it off of the chassis. After removing the panel, push the metal plate back up to the vertical position. To re-attach the panel, press it straight onto the chassis until the mechanism locks it into place.

NOTES ON USE OF FRONT PANEL

1. Make sure the front panel is right-side-up when attaching it to the chassis as it cannot be attached when up-side down.
2. Do not press very hard on the front panel when attaching it to the chassis. No more than light to moderate pressure should be needed.
3. When attaching the front panel, make sure it is centered in the chassis frame and is pressed straight into position.
4. When taking the front panel with you, please use the supplied carrying case to protect the panel from dirt and damage. Make sure there is no dust or dirt on the electrical terminals on the back of the panel as this could cause intermittent operation or other malfunctions.

SETTING THE CLOCK

1. Switch the vehicle ignition and radio "on".
2. Press the Time/Frequency button to call the time display.
3. Press and hold the Time/Frequency Selector button (⊗) approximately 2 seconds until the time display begins flashing on the LCD.
4. Within 5 seconds after the time display begins flashing, and while holding the Time/Frequency button in, press the Down Tuning (- ◀◀) button to adjust the hours and **AM/PM** indication, or the Up Tuning (+ ▶▶) button to adjust the minutes to the correct time.
5. Five seconds after the last hour or minute adjustment is made, the time will be set in the unit and the display will return to the normal indication.

CD PLAYER ERROR CODES

If a problem should develop while operating the CD player, an error code (**ER-1**, **ER-2**, **ER-3**, etc.) may appear on the display panel. This can indicate a number of problems with the unit, including a mechanical error or an error in the microprocessor control of the player. If an error code should appear, try ejecting and re-loading the disc into the player. While the disc is out of the unit, make sure it is clean, undamaged, and loaded correctly (label surface up). You may also try activating the Re-Set button (Ⓜ) on the unit, but this will also erase the time and pre-set memories.

If the suggested measures do not solve the problem, contact an approved warranty station near you for further assistance.

SPECIFICATIONS

Size:	7" W x 2" H x 6 5/16" D 178 mm x 50 mm x 160 mm
Operating Voltage:	12 volts DC, negative ground
Fuse Ratings:	Constant (Yellow wire): 15 AMP. Switched (Red wire): 1 AMP.
Output Power:	160 watts maximum (40 watts x 4 channels)
Output Wiring:	Floating-ground type designed for 4 speaker use. Front and rear channels CANNOT be combined (bridged) for use with 2 speakers. RCA low-level outputs (rear channels).
Output Impedance:	Compatible with 4 – 8 ohm speakers.
Low-Level Output:	500 mv.
Tuning Range:	AM: 530 – 1,720 kHz. (10 kHz. step) FM: 87.5 – 107.9 MHz. (200 kHz. step)
Sensitivity:	AM: 20 uv. FM: 1.5 uv.
FM Stereo Separation:	>20 dB
CD Frequency Response:	17 – 20 kHz. +0/-3 dB
CD Signal/Noise Ratio:	>65 dB
CD Channel Separation:	>60 dB
CD Distortion:	0.2%

*Specifications are subject to change without notice.

CD CHANGER CONTROLS

Built into this radio are controls to operate an optional CD changer. Please check with your Rampage/Audiovox car stereo specialist or call 1-800-645-4994 for recommendations of the models that will work with this radio.

Adjustment of the audio functions (volume, tone, balance, and fader) for the CD changer operate in the same manner as they do for radio play. The following controls will operate the CD changer when it is installed and connected to this radio. Refer to the owner's manual included with the CD changer for instructions on the installation and correct loading and use of the CD magazine.

③④ CD CHANGER MODE SELECTOR (MOD)

During radio or CD play, press this button to select operation of the CD changer as shown by **CDC** on the display panel. Disc play will begin and the disc and track number will be shown on the display panel. If a new magazine has been loaded into the changer, play will begin from the first track of the first disc in the magazine. If a magazine was already in the changer, play will resume from the track on the disc previously in play.

③⑤ DISC SELECT (CD+ & CD-)

These buttons are used to select the desired disc for play. To advance to a higher number disc, press the **CD+** button (Ⓣ). To return to a lower number disc, press the **CD -** button. The number of the disc in play will be shown on the display panel.

③⑥ TRACK SELECT (+ ►►► / ◀◀◀ -)

The Track Select functions are used to quickly access the beginning of a particular

track. Each time the Forward Track Select (+►►►) side of the button is pressed, the next higher track number will be selected as shown on the display panel. Similarly, each time the Backward Track Select (◀◀◀-) side of the button is pressed, the next lower track number will be selected as shown on the display panel.

③⑦ CUE/REVIEW FUNCTIONS (+ ►►► / ◀◀◀ -)

High-speed audible search to any section of the disc can be made by the Cue and Review functions. Press and hold the Cue (+►►►) side of the button to advance rapidly in the forward direction or the Review (◀◀◀-) side of the button to advance rapidly in the backward direction.

③⑧ TRACK/DISC SCAN SELECTOR (SCN)

When the Scan button is pressed, the **SCN** indication will appear on the display panel, and the first 10 seconds of each track on the disc will be played in order. When a desired track is reached, press the Scan button twice with a one second interval between presses and play of the selected track will continue (**SCN** will disappear from the display panel). The Track Scan mode will also be canceled by activating another disc function (Top, Repeat or Random Play).

When the Scan button is pressed twice the **DISC** and **SCN** indications will appear on the display panel and the first 10 seconds of each track on each disc in the magazine will be played in order. When a desired disc track is reached, press the Scan button again and play of the selected disc will continue uninterrupted (**DISC** and **SCN** will disappear from the display panel). The Disc

Scan mode will also be canceled by activating another disc function (Top, Repeat or Random Play).

③⑨ DISC/TRACK REPEAT PLAY (RPT)

When the Repeat button is pressed, the **RPT** indication will appear on the display panel and play of the selected track will be continually repeated until the Track Repeat mode is canceled by pressing the Repeat button again or by activating the Disc Select ③⑤, Scan ③⑧ or Random Play ④⑩ functions.

When the Repeat button is pressed twice the **DISC** and **RPT** indications will appear on the display panel and play of the selected disc will be continually repeated until the Disc Repeat mode is canceled by pressing the Repeat button again or by activating the Scan ③⑧ or Random Play ④⑩ functions.

④⑩ DISC/TRACK RANDOM PLAY (RND)

When the Random button is pressed, the

RND indication will appear on the display panel and the tracks on the disc will be played in a random, shuffled order. The Track Select button ③⑥ will also select tracks in the shuffled order instead of the normal progression. The Random Track mode can be canceled by pressing the Random button again or by activating the Disc Select ③⑤, Scan ③⑧ or Repeat Play ③⑨ functions.

When the Random button is pressed again, the **DISC** and **RND** indications will appear on the display panel and the discs in the magazine will be played in a random, shuffled order, as well as the tracks on each disc. After playing a track selected at random from a disc in the magazine, the unit will select another disc at random and play a randomly selected track on it. This will continue until the Random Disc mode is canceled by pressing the Random button again or by activating the Scan ③⑧ or Repeat Play ③⑨ functions.

CD CHANGER ERROR CODES

If a problem should develop while operating the CD changer, the following error codes may appear on the display panel.

- ER-1:** Indicates that there is no magazine loaded in the CD changer.
- ER-2:** Indicates a problem with the magazine eject function.
- ER-3:** Indicates an error in the disc loading function.
- ER-4:** Indicates an error in the disc un-loading function.
- ER-5:** Indicates an error in the magazine position.
- ER-6:** Indicates an error in the laser pick-up position.
- ER-7:** Indicates an error in the laser focus on the disc.

In any of the above situations, try ejecting the CD magazine from the changer and make sure the discs are clean, undamaged, and loaded correctly (refer to the Owner's Manual of the CD changer). Re-load the magazine and check for proper operation. You may also try activating the **RESET** button ③① on the unit, but this will also erase the time and pre-set memories.

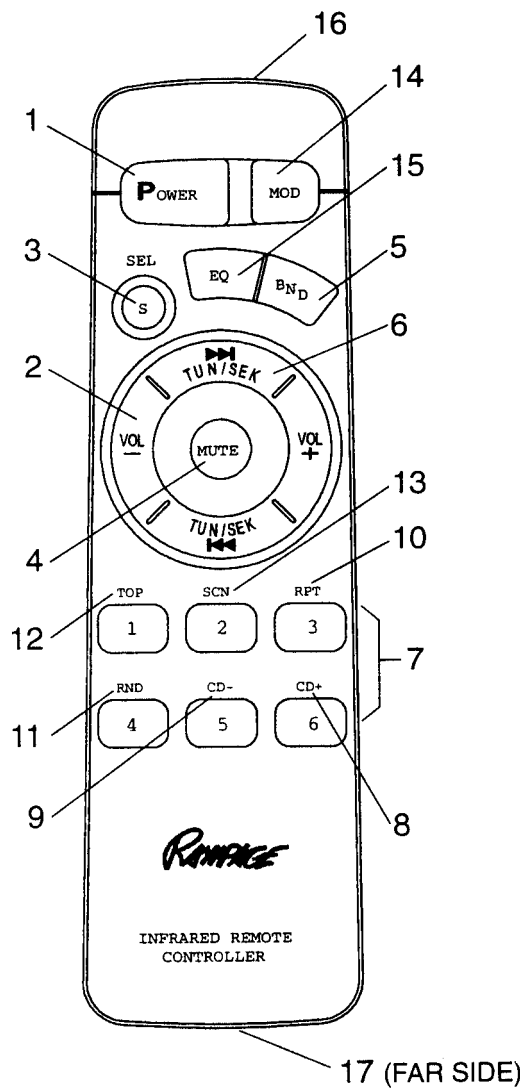
If the suggested measures do not solve the problem, contact an approved warranty station near you for further assistance.

WIRELESS REMOTE CONTROL OPERATION

The wireless remote control supplied with this model is capable of operating most of the features of the unit from a remote location. Each button on the remote control functions in the same way as the referenced button on the main unit. For optimal operation of the remote control, always aim it toward the Remote Sensor (32) on the front panel of the main unit.

- ① **ON-OFF POWER** - See Main Unit ①
- ② **VOLUME (LEVEL) CONTROL**- See Main Unit ②, ③, ④, ⑤, ⑥, and ⑦ except press + ►► to increase level, and press ◀◀ - to decrease level
- ③ **SELECT BUTTON (S)** - See Main Unit ③, ④, ⑤, ⑥, and ⑦
- ④ **AUDIO MUTE (MUTE)** – See Main Unit ⑨
- ⑤ **AM/FM BAND SELECTOR (BND)** – See Main Unit ⑩
- ⑥ **MANUAL UP/DOWN TUNING** – See Main Unit ⑪ except press + ►► to increase frequency, press ◀◀ - to decrease frequency.
AUTOMATIC SEEK TUNING – See Main Unit ⑪ except press + ►► to Seek upward, press ◀◀ - to Seek downward.
CD TRACK SELECT – See Main Unit ⑳ and ⑳ except press + ►► to select a higher track number, press ◀◀ - to select a lower track number.
CD CUE/REVIEW – See Main Unit ㉑ and ㉑ except press + ►► for Cue function, and press ◀◀ - for Review function.

- ⑦ **RADIO PRE-SET MEMORY 1-6** - See Main Unit ⑮
- ⑧ **DISC UP SELECT (D+)** - See Main Unit ㉖
- ⑨ **DISC DOWN SELECT (D-)** - See Main Unit ㉖
- ⑩ **TRACK/DISC REPEAT (RPT)** - See Main Unit ㉔ and ㉙
- ⑪ **TRACK/DISC RANDOM (RND)** - See Main Unit ㉕ and ㉚
- ⑫ **TRACK/DISC TRACK ONE POSITION (TOP)** - See Main Unit ㉒
- ⑬ **TRACK/DISC SCAN (SCN)** - See Main Unit ㉓ and ㉘
- ⑭ **MODE SELECTOR (MOD)** - See Main Unit ⑱ and ㉛
- ⑮ **AUDIO EQUALIZATION BUTTON (EQ)** - See Main Unit ㉙
- ⑯ **INFRARED SENDER** - Emits infrared signal to radio which is detected by the sensor ㉓
- ⑰ **BATTERY COMPARTMENT** - Holds two AAA batteries for remote wireless control operation.



CARE AND MAINTENANCE

The radio section of your new sound system does not require any maintenance. We recommend that you keep this manual for reference on the many features found in this unit as well as how to set the clock.


The compact disc player section also requires no routine maintenance, but proper understanding of its use and handling will help you obtain maximum enjoyment of its capabilities. The following points should be observed:

- When cleaning the interior of the vehicle, do not get water or cleaning fluids on the unit.
- The CD player is a precision instrument and will not operate properly in extreme heat or cold. In case of such conditions, wait until the interior temperature of the vehicle reaches a normal temperature before using the player.
- If the temperature inside the player gets too hot, a protective circuit will automatically stop play of the disc. In this case, allow the unit to cool off before operating the player again.
- Never insert anything other than a 5" (12 cm) compact disc into the player as the mechanism can be damaged by foreign objects.
- Do not attempt to use 3" (8 cm) CD-Single discs in this unit, either with or without an adaptor, as damage to the player and/or disc may occur. Such damage will not be covered by the Warranty on this product.
- When not using the disc player, always remove the compact disc. Do not leave an ejected disc sitting in the disc slot as this can expose it to sunlight and other causes of damage.
- Do not attempt to open the unit chassis. There are no user serviceable parts or adjustments inside.
- When the vehicle warms up during cold weather or under damp conditions, moisture may condense on the lens of the disc player. Should this occur, the player will not operate properly until the moisture has evaporated.
- The unit is designed with a vibration dampening CD mechanism to minimize interruption of disc play due to normal vibration in a moving vehicle. When driving on very rough roads, however, occasional sound skips may occur. This will not scratch or damage the disc and normal play will resume when the rough conditions cease.

HANDLING COMPACT DISCS

Dirt, dust, scratches, and warpage can cause skips in the playback and deterioration of sound quality. Please follow these guidelines to take care of your compact discs:



- Use only compact discs with the mark .
- Fingerprints, dust, and dirt should be carefully wiped off the disc's playing surface (shiny side) with a soft cloth. Wipe in a straight motion from the inside to the outside of the disc.
- Never use chemicals such as record sprays, household cleaners or thinner to clean compact discs. Such chemicals can irreparably damage the disc's surface.
- Discs should be kept in their storage cases when not in use.
- Do not expose discs to direct sunlight, high temperatures or high humidity for extended periods.
- Do not stick paper, tape, or labels on the disc surfaces nor write on them with any type of marker.

12 MONTH LIMITED WARRANTY

AUDIOVOX CORPORATION (the Company) warrants to the original retail purchaser of this product that should this product or any part thereof, under normal use and conditions, be proven defective in material or workmanship within 12 months from the date of original purchase, such defect(s) will be repaired or replaced with new or reconditioned product (at the Company's option) without charge for parts and repair labor.

To obtain repair or replacement within the terms of this Warranty, the product is to be delivered with proof of warranty coverage (e.g. dated bill of sale), specification of defect(s), transportation prepaid, to the warranty center at the address shown below.

This Warranty does not extend to the elimination of car static or motor noise, to correction of antenna problems, to costs incurred for installation, removal, or reinstallation of the product, or damage to tapes, compact discs, speakers, accessories, or vehicle electrical systems.

This Warranty does not apply to any product or part thereof which, in the opinion of the Company, has suffered or been damaged through alteration, improper installation, mishandling, misuse, neglect, accident, or by removal or defacement of the factory serial number/bar code label(s). THE EXTENT OF THE COMPANY'S LIABILITY UNDER THIS WARRANTY IS LIMITED TO THE REPAIR OR REPLACEMENT PROVIDED ABOVE AND, IN NO EVENT, SHALL THE COMPANY'S LIABILITY EXCEED THE PURCHASE PRICE PAID BY PURCHASER FOR THE PRODUCT.

This Warranty is in lieu of all other express warranties or liabilities. ANY IMPLIED WARRANTIES, INCLUDING ANY IMPLIED WARRANTY OF MERCHANTABILITY, SHALL BE LIMITED TO THE DURATION OF THIS WRITTEN WARRANTY. ANY ACTION FOR BREACH OF ANY WARRANTY HEREUNDER INCLUDING ANY IMPLIED WARRANTY OF MERCHANTABILITY MUST BE BROUGHT WITHIN A PERIOD OF 30 MONTHS FROM DATE OF ORIGINAL PURCHASE. IN NO CASE SHALL THE COMPANY BE LIABLE FOR ANY CONSEQUENTIAL OR INCIDENTAL DAMAGES FOR BREACH OF THIS OR ANY OTHER WARRANTY, EXPRESS OR IMPLIED, WHATSOEVER. No person or representative is authorized to assume for the Company any liability other than expressed herein in connection with the sale of this product.

Some states do not allow limitations on how long an implied warranty lasts or the exclusion or limitation of incidental or consequential damage so the above limitations or exclusions may not apply to you. This Warranty gives you specific legal rights and you may also have other rights which vary from state to state.

U.S.A.: AUDIOVOX CORPORATION, 150 MARCUS BLVD., HAUPPAUGE, NY 11788 • 1-800-645-4994

CANADA: CALL 1-800-645-4994 FOR LOCATION OF WARRANTY STATION SERVING YOUR AREA

128-4270E

INSTRUCCIONES PARA LA INSTALACIÓN

Esta unidad está diseñada para ser instalada en automóviles, camiones y camionetas que ya tengan una abertura para radio. En muchos casos, se necesitará un equipo de instalación especial para montar la radio en el tablero de instrumentos. Se puede conseguir estos equipos en las tiendas de artículos electrónicos y en los negocios especializados en equipos estereofónicos para automóviles. Antes de comprar el equipo averigüe para qué aplicaciones está destinado el mismo para asegurarse de que sirva para su vehículo. Si no puede encontrar el equipo que necesita, llame a nuestra línea gratuita de "AYUDA" al **1-800-645-4994**.

PROCEDIMIENTO DE INSTALACIÓN UNIVERSAL CON MANGA DE MONTAJE

1. Abra, pliegue, baje y quite el panel delantero desmontable, si el mismo se encuentra enganchado al chasis, agárrelo por la parte central acanalada y tire del mismo en línea recta hacia fuera. Deslice la manga de montaje para retirarla del chasis. Si está trabada en su lugar, use las herramientas de extracción (provistas) para desengancharla.
2. Coloque la manga de montaje para verificar el tamaño de la abertura que hay en el tablero de instrumentos. Si la abertura es pequeña, corte o lime con cuidado lo que fuese necesario hasta que la manga de montaje calce fácilmente en la abertura. No fuerce la manga en la abertura, tampoco la doble ni arquee. Asegúrese de tener espacio suficiente detrás del tablero de instrumentos para el chasis de la radio.
3. Ubique la serie de lengüetas a lo largo de la parte superior, inferior y los lados de la manga de montaje. Con la manga de montaje totalmente colocada dentro de la abertura del tablero de instrumentos, doble hacia afuera todas las lengüetas que sea necesario para asegurar firmemente la manga al tablero.
4. Coloque la radio frente a la abertura del tablero de instrumentos para poder pasar el cableado a través de la manga de montaje. Siga cuidadosamente el diagrama de cableado y asegúrese de que todas las conexiones del arnés de cableado estén seguras y aisladas con tuercas para alambre o cinta aislante para procurar el funcionamiento correcto de la unidad. Después de terminar las conexiones de cableado, coloque el panel delantero y encienda la unidad para confirmar su funcionamiento (la llave de contacto debe estar en "on"). Si la unidad no funciona, revise el cableado hasta que se corrija el problema. Una vez logrado el funcionamiento correcto, apague la llave de contacto y proceda con el montaje final del chasis.
5. Deslice con cuidado la radio en la manga de montaje, asegúrese de que esté en la posición correcta, hasta que esté totalmente asentada y los soportes antivibratorios trabados en su lugar.
6. Fije un extremo de la correa de soporte perforada (provista) al tornillo que se encuentra en la parte posterior del chasis con la tuerca hexagonal provista. Ajuste el otro extremo de la correa perforada a una parte segura del tablero de instrumentos, ya sea por encima o por debajo de la radio, con el tornillo provisto. Doble la correa para ubicarla si es necesario.
PRECAUCIÓN: La parte posterior de la radio debe estar apoyada sobre la correa para evitar daños al tablero como consecuencia del peso de la radio o del uso incorrecto debido a la vibración.
7. Vuelva a enganchar el panel delantero al chasis y consulte las Instrucciones de funcionamiento para probar el funcionamiento de la radio.

LOS JUEGOS DE INSTALACIÓN

1. Si el vehículo requiere el uso de un juego de instalación para montar la radio, siga las instrucciones incluidas en el juego de instalación para colocar la radio en la placa de montaje provista con el mismo.
2. Haga las conexiones de cables y pruebe la radio según se describe en el Paso 4 anterior.
3. Instale el conjunto formado por radio/placa de montaje en el subtablero, de acuerdo con las instrucciones del juego de instalación.
4. Fije la correa de soporte a la radio y al tablero de instrumentos según se describe en el Paso 6 anterior.
5. Vuelva a colocar el panel de reborde del tablero.

PROCEDIMIENTO DE INSTALACIÓN ISO

Esta unidad tiene orificios roscados en los paneles laterales del chasis que pueden usarse con los soportes de montaje originales de fábrica de algunos vehículos Toyota, Nissan, Mitsubishi, Isuzu, Hyundai y Honda para montar la radio al tablero. Sírvase consultar a la tienda local que sea especialista en equipos estereofónicos para automóviles así obtiene asistencia para este tipo de instalación.

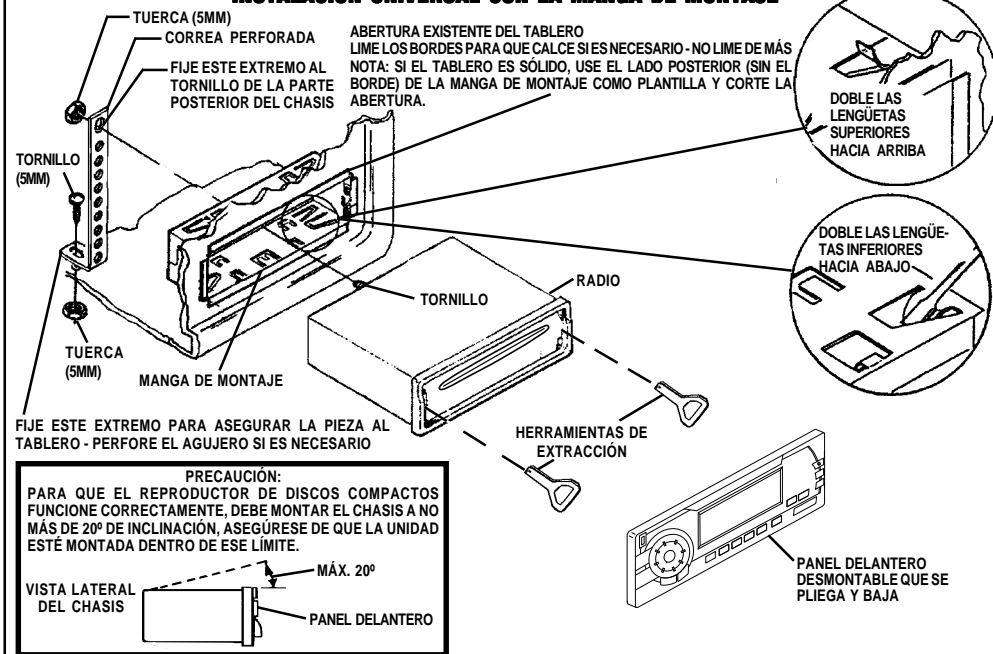
1. Quite la radio que venga de fábrica en el tablero de instrumentos o en la consola central. Guarde todas las piezas, tornillos y soportes ya que los usará para montar la radio nueva.
2. Desenganche con cuidado el armazón de plástico de la parte delantera del chasis de la radio nueva. Quite y descarte el armazón.
3. Quite los soportes de montaje que vengan de fábrica y los tornillos de la radio y úselos para la radio nueva.
PRECAUCIÓN: NO EXCEDA EL TAMAÑO MÁXIMO DE TORNILLO M5 X 8 MM.
 SI LOS TORNILLOS SON MÁS LARGOS, PUEDEN TOCAR Y DAÑAR LOS COMPONENTES QUE ESTÉN ADENTRO DEL CHASIS.
4. Conecte los cables de la radio nueva al vehículo según lo indicado en el paso 4 anterior.
5. Monte la radio nueva al tablero de instrumentos o a la consola central, para lo cual siga el procedimiento inverso al paso 1.

ASISTENCIA GRATUITA PARA LA INSTALACIÓN

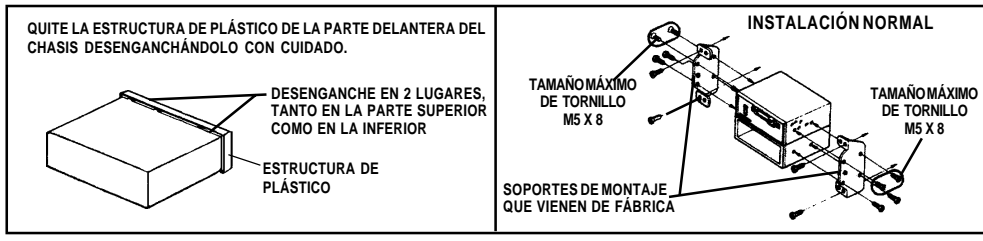
La instalación y las conexiones de los cables de esta unidad son muy sencillos, por lo tanto dudamos de que tenga alguna duda o necesite ayuda, pero si tiene problemas, estamos a su disposición para prestarle ayuda. Simplemente llame a nuestro teléfono gratuito de asistencia, **1-800-645-4994**, durante los días y las horas que se indican (EE.UU. y Canadá solamente).

ZONA HORARIA				
DÍA	ZONA PACÍFICO	ZONA DE MONTAÑA	ZONA CENTRAL	ZONA ESTE
LUN. VIE.	5:30AM - 4PM	6:30AM - 5PM	7:30AM - 6PM	8:30AM - 7PM
SÁBADO	6AM - 2PM	7AM - 3PM	8AM - 4PM	9AM - 5PM

INSTALACIÓN UNIVERSAL CON LA MANGA DE MONTAJE

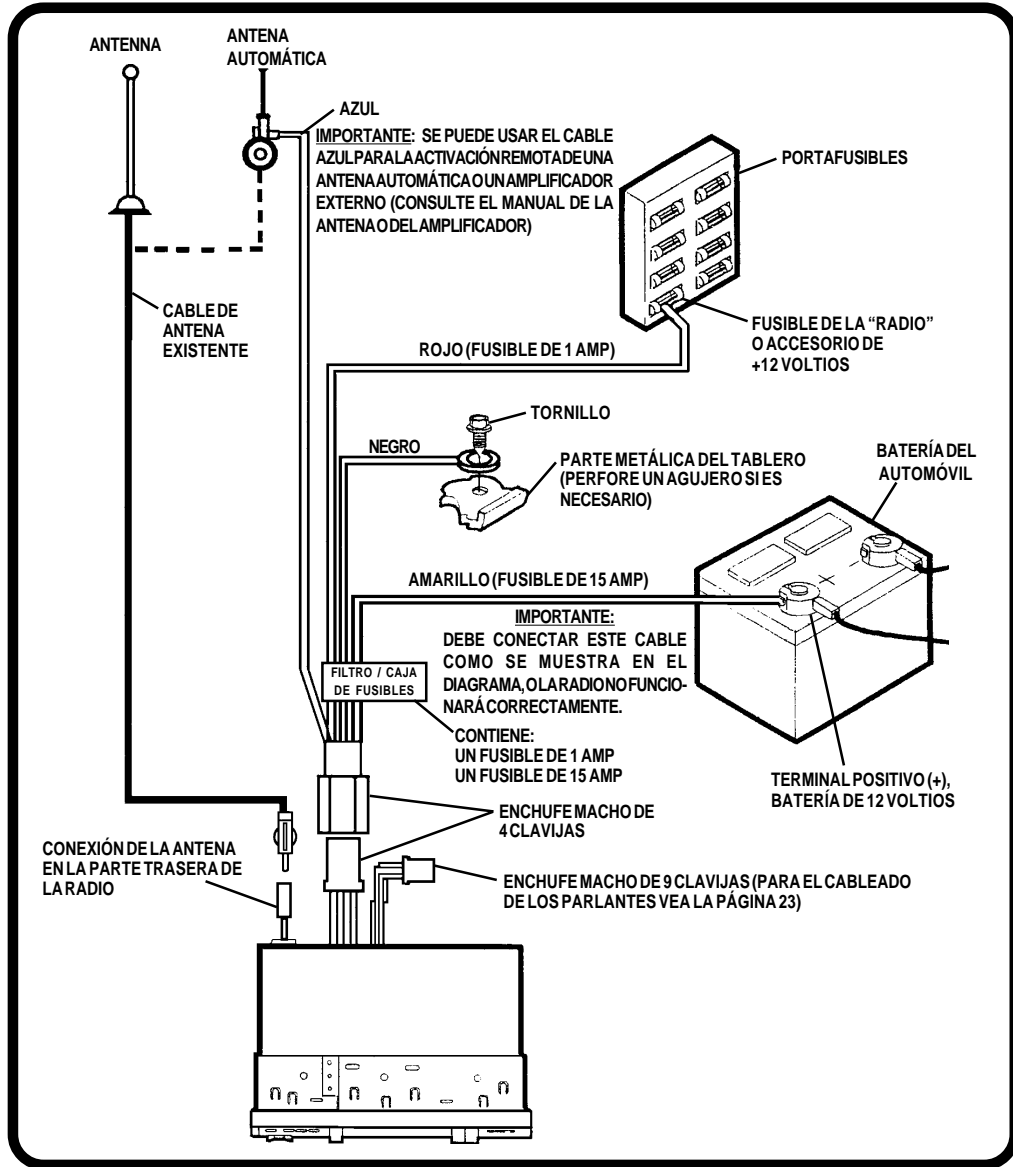


INSTALACIÓN ISO



CABLEADO DE LA RADIO

PARA EL CABLEADO DE LOS PARLANTES CONSULTE LA PÁGINA 23

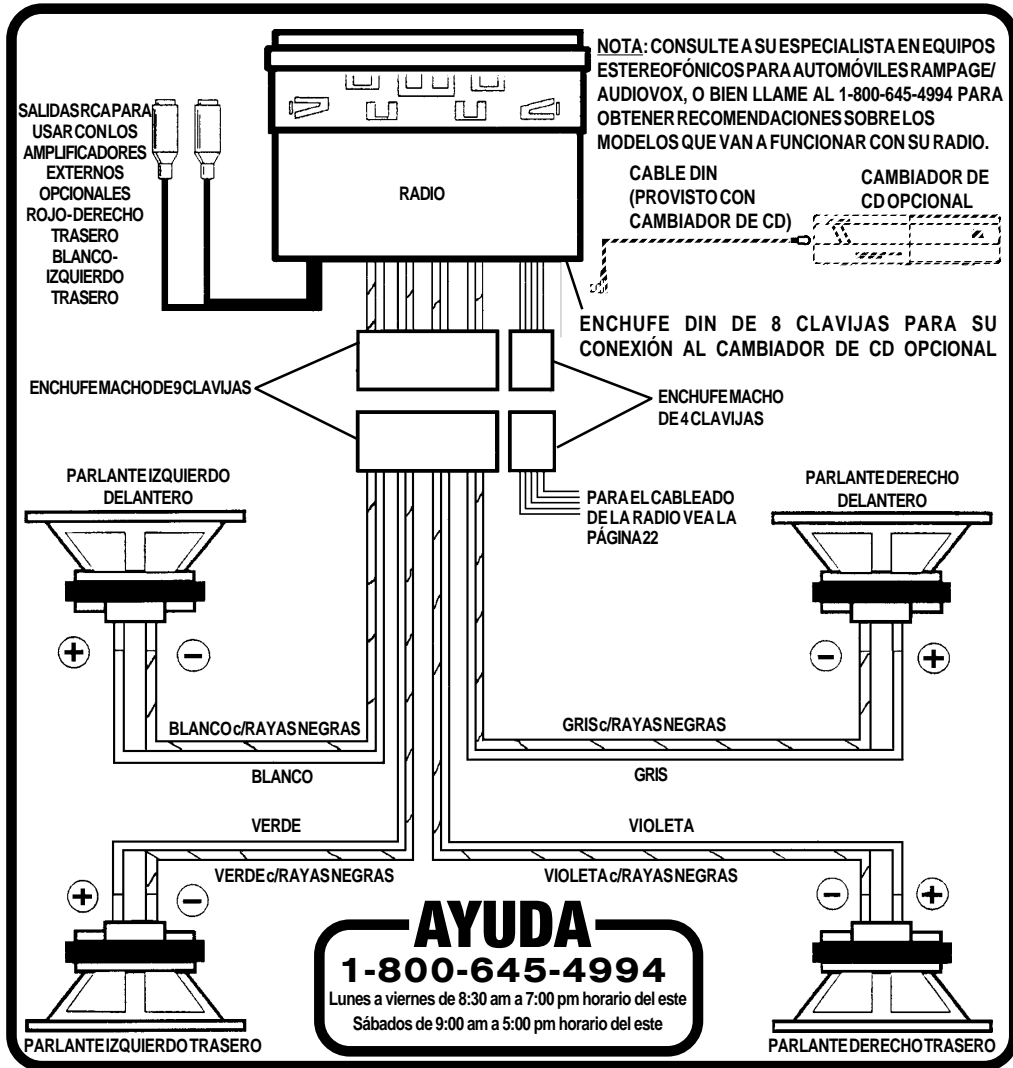


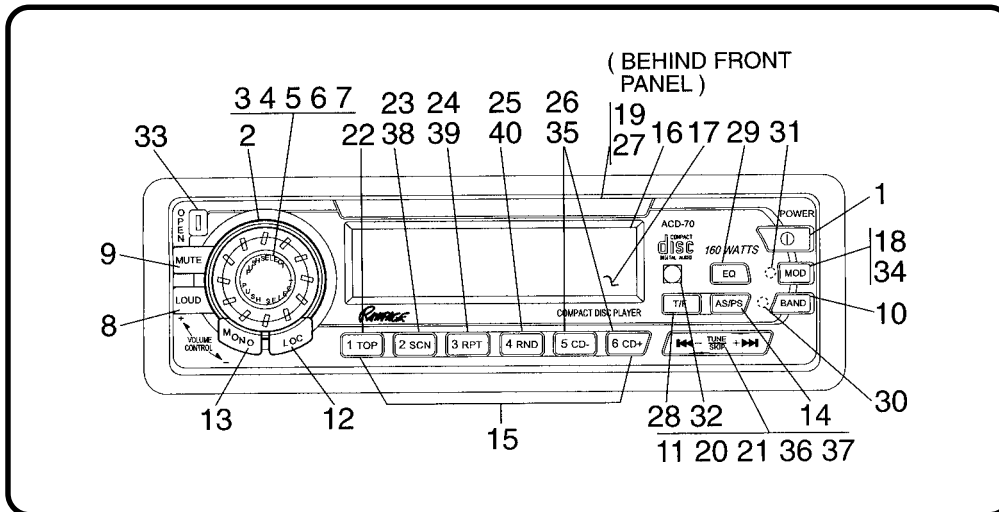
CABLEADO DE LOS PARLANTES

PARA EL CABLEADO DE LA RADIO CONSULTE LA PÁGINA 22

ADVERTENCIA:

- LOS AMPLIFICADORES DE ESTA RADIO ESTÁN DISEÑADOS ÚNICAMENTE PARA SER USADOS CON 4 PARLANTES.
- NUNCA COMBINE SALIDAS (PUENTE) PARA USARLAS CON 2 PARLANTES.
- NUNCA CONECTE A TIERRA LOS CONDUCTORES NEGATIVOS DEL PARLANTE CON LA CONEXIÓN A TIERRA DEL CHASIS.
- SI NO SE REALIZAN LAS CONEXIONES TAL COMO SE ILUSTR A CONTINUACIÓN, SE PUEDE PROVOCAR DAÑOS ELÉCTRICOS A LA RADIO.





① **BOTÓN DE ALIMENTACIÓN
ENCENDIDO-APAGADO (Ⓚ)**

Oprima este botón para encender o apagar la unidad. La unidad también se encenderá automáticamente cuando cargue un disco si la llave de contacto está en "on".

② **CONTROL DEL NIVEL DE VOLUMEN**

Para subir el nivel de volumen, oprima la perilla en sentido horario. El volumen subirá y en el panel de visualización aparecerá el nivel desde un mínimo de **VOL 00** a un máximo de **VOL 39**. Para bajar el nivel de volumen, gire la perilla en sentido antihorario. El panel de visualización volverá automáticamente a la indicación normal 5 segundos después del último ajuste del volumen o cuando se active alguna otra función. Este control se usa también en combinación con el botón selector 3 para ajustar los tonos graves, agudos, los niveles de equilibrio y la atenuación acústica según se describe en ④, ⑤, ⑥ y ⑦.

③ **BOTÓN SELECTOR**

Este botón, que es parte integral del CONTROL DE VOLUMEN, se usa para elegir la función de

audio (volumen, tonos graves y agudos, equilibrio o atenuación acústica) que se ajustará con el CONTROL DE VOLUMEN ②. Al oprimir el botón selector una vez se prepara la unidad para el ajuste de tonos graves (la indicación **BAS** aparecerá en el panel de visualización) y sonará un pitido de aviso. Al oprimir el botón más veces se seleccionarán los tonos agudos (la indicación **TRE** aparecerá en la pantalla), equilibrio (**BAL**) o atenuación acústica (**FAD**). El panel de visualización volverá automáticamente a la indicación normal 5 segundos después del último ajuste o cuando se active alguna otra función.

④ **CONTROL DE LOS TONOS GRAVES**

Para ajustar el nivel de tonos graves, primero seleccione la modalidad grave apretando el botón selector ③ hasta que la indicación **BAS** aparezca en el panel de visualización. A los 5 segundos de elegir la modalidad de tonos graves, gire el control de nivel ② para ajustar la respuesta de tonos graves que desee, en sentido antihorario para disminuirla o en sentido horario para aumentarla. En el panel de visualización aparecerá el nivel con un mínimo de **BAS -12** a un máximo de **BAS +12**

(**BAS 00** representa la respuesta plana). El panel de visualización volverá automáticamente a la indicación normal 5 segundos después del último ajuste o cuando se active alguna otra función.

⑤ CONTROL DE LOS TONOS AGUDOS

Para ajustar el nivel de tonos agudos, primero seleccione la modalidad aguda apretando el botón selector ③ hasta que la indicación **TRE** aparezca en el panel de visualización. A los 5 segundos de elegir la modalidad de tonos agudos, gire el control de nivel ② para ajustar la respuesta de tonos agudos que desee, en sentido antihorario para disminuirla o en sentido horario para aumentarla. En el panel de visualización aparecerá el nivel con un mínimo de **TRE -12** a un máximo de **TRE +12** (**TRE 00** representa la respuesta plana). El panel de visualización volverá automáticamente a la indicación normal 5 segundos después del último ajuste o cuando se active alguna otra función.

⑥ CONTROL DE EQUILIBRIO ACÚSTICO IZQUIERDO/DERECHO

Para ajustar el equilibrio acústico de los parlantes izquierdo y derecho, primero seleccione la modalidad de equilibrio acústico apretando el botón selector ③ hasta que la indicación **BAL** aparezca en el panel de visualización. A los 5 segundos de elegir la modalidad de equilibrio acústico, gire el control de nivel ② en sentido antihorario para ajustar el equilibrio estereofónico en los parlantes del canal izquierdo o en sentido horario para ajustarlo en los parlantes del canal derecho. La posición de equilibrio estará indicada en el panel de visualización por **BAL L16** (totalmente a la izquierda) a **BAL R16** (totalmente a la derecha). Cuando el nivel de volumen entre los parlantes izquierdo y derecho sea igual, en el panel de visualización aparecerá la indicación **BAL 00**. El panel de visualización volverá automáticamente a la indicación normal 5 segundos después del último ajuste o cuando se active alguna otra función.

⑦ CONTROL DEL ATENUADOR DE VOLUMEN DELANTERO/TRASERO

Para ajustar la atenuación acústica de los parlantes delanteros y traseros, primero seleccione la modalidad de atenuación acústica apretando el botón selector ③ hasta que la indicación **FAD** aparezca en el panel de visualización. A los 5 segundos de elegir la modalidad de atenuación acústica, gire el control de nivel ② en sentido antihorario para ajustar el equilibrio estereofónico en los parlantes de la izquierda o en sentido horario para ajustarlo en los parlantes de la derecha. La posición de atenuación estará indicada en el panel de visualización por **FAD R16** (totalmente atrás) a **FAD F16** (totalmente adelante). Cuando el nivel de volumen entre los parlantes delanteros y traseros sea igual, en el panel de visualización aparecerá la indicación **FAD 00**. El panel de visualización volverá automáticamente a la indicación normal 5 segundos después del último ajuste o cuando se active alguna otra función.

⑧ CONTROL DE SONORIDAD ACÚSTICA (LOUD)

Cuando se escucha música con niveles de volumen bajos, esta función aumentará las gamas de tonos graves y agudos para compensar las características de la capacidad auditiva humana. Apriete el botón para activar el contorno de sonoridad acústica, la indicación **LOUD** aparecerá en el panel de visualización. Al apretar este botón nuevamente se desactivará esta función (la indicación **LOUD** desaparecerá del panel de visualización).

⑨ SELECTOR SIN AUDIO (MUTE)

Se usa este botón para suprimir o silenciar el volumen del sistema (**MUTE** aparecerá en el panel de visualización). Al volver a apretar el botón o al ajustar el control de volumen ②, el volumen volverá al nivel que tenía antes de activar esta función.

⑩ SELECTOR DE BANDA AM/FM (BAND)

Cada vez que se oprima este botón, se cambiará la banda de la radio. La indicación **AM1**, **AM2**,

FM1, FM2 o FM3 aparecerá en el panel de visualización según cuál sea su elección.

Durante la reproducción de un disco, al oprimir este botón se detiene la reproducción y cambia a la función de radio sin eyectar el disco. Al mismo tiempo, la indicación permanecerá en el panel de visualización indicando que hay un disco en la unidad. Oprima el botón **MOD** ⑱ para volver a la modalidad de reproducción de disco, que comenzará con la pista que se estaba reproduciendo antes.

⑪ CONTROL DE SINTONIZACIÓN MANUAL ASCENDENTE Y DESCENDENTE (+ ►► / ◀◀ -)

Para elegir una estación en forma manual, oprima el lado de sintonización ascendente (+ ►►) del botón para avanzar la unidad dos dígitos más, o el lado de sintonización descendente (◀◀ -) del botón para retroceder dos dígitos.

Al oprimir cualquiera de los dos botones por más de 0,5 segundos y luego soltarlo, activará la función de sintonización con búsqueda automática. La radio buscará la siguiente estación en la dirección elegida y se detendrá en esa frecuencia. Se puede detener la función de búsqueda al oprimir nuevamente el botón, o al activar cualquier otra función de sintonización.

Al oprimir y mantener apretado cualquiera de los lados del botón por más de 0,5 segundos la radio continuará sintonizando rápidamente en la dirección elegida hasta llegar a la próxima estación disponible donde se detendrá.

⑫ SELECTOR DE SEÑAL LOCAL/DISTANTE (LOC)

Se usa esta función para elegir la intensidad de las señales en las cuales se detendrá la radio durante la sintonización con búsqueda automática. Oprima este botón para seleccionar el ajuste local (aparecerá la indicación **LOC** en el panel de visualización) y solamente se recibirán las estaciones (locales) de mayor potencia. Al volver a oprimir el botón se seleccionará el ajuste distante (desaparecerá la indicación **LOC** del panel de visualización) y se detendrá la radio en una mayor gama de

señales, incluso las estaciones de menor potencia (más distantes).

⑬ SELECTOR FM DE RECEPCIÓN MONOAURAL O ESTEREOFÓNICA (MONO)

Durante el funcionamiento de la radio en FM, se usa este botón para seleccionar la recepción estereofónica o monoaural de la señal de transmisión. En condiciones de recepción normal, la unidad tiene que dejarse en la modalidad estereofónica que se indica **ST** ∞ en la pantalla al sintonizar una señal FM estéreo. Si la señal estereofónica es muy ruidosa como para escucharse bien, oprima el botón selector FM Mono/Stereo para cambiar a la recepción monoaural (la indicación **ST** ∞ desaparecerá del panel de visualización). Para volver a la modalidad de recepción estereofónica, oprima el botón nuevamente para que la indicación **ST** ∞ vuelva a aparecer en el panel de visualización.

⑭ SINTONIZACIÓN POR EXPLORACIÓN PREESTABLECIDA (PS) SINTONIZACIÓN CON AUTOMEMORIA (AS)

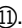
Oprima este botón por un momento para explorar las estaciones preestablecidas en las 12 memorias en las bandas AM o las 18 en las FM. La unidad se detendrá en cada una de las estaciones preestablecidas durante 5 segundos antes de continuar con la próxima estación preestablecida (el número preestablecido en el panel de visualización destellará durante la exploración preestablecida). Vuelva a oprimir el botón para detener la operación de exploración preestablecida y quedarse en la frecuencia elegida. Si no oprime ningún botón durante la exploración, la unidad volverá a la estación en que estaba antes de empezar la exploración.

Al oprimir el botón por más de 2 segundos se activará la función de Sintonización con automemoria, la radio explorará automáticamente e ingresará 6 estaciones en las memorias preestablecidas de la banda en uso. Si usted ya tiene las memorias preestablecidas para sus estaciones preferidas, al activar la función de sintonización con automemoria se borrarán

esas estaciones y se establecerán las nuevas. Esta función es muy útil cuando viaja por una zona nueva donde no esté familiarizado con las estaciones locales.

15 MEMORIAS PREESTABLECIDAS DE ESTACIONES

Para fijar cualquiera de las 6 memorias preestablecidas en cada banda, siga el siguiente procedimiento:

1. Encienda la radio y seleccione la banda deseada.
2. Seleccione la primera estación a preestablecerse con los controles de sintonización manual ascendente y descendente o sintonización con búsqueda automática .
3. Oprima el botón preestablecido que se utilizará para esa estación y continúe oprimiéndolo por 2 segundos aproximadamente. El número preestablecido aparecerá en el panel de visualización y sonarán dos pitidos para indicar que la estación ya está fijada en esa posición de memoria preestablecida. En cualquier momento se puede llamar esa estación apretando ese botón.
4. Repita el procedimiento anterior para las restantes 5 estaciones preestablecidas para esa banda de radio y para las otras 4 bandas de la unidad.

16 PANEL DE VISUALIZACIÓN EN CRISTAL LÍQUIDO

El panel con visualización en cristal líquido (LCD) muestra la frecuencia, la hora y las funciones activadas.

NOTA: Es típico que los paneles con LCD, al estar sometidos a bajas temperaturas durante un tiempo prolongado, les tome más tiempo iluminarse que en condiciones normales. Además, la visibilidad de los números en el visor o pantalla LCD puede disminuir levemente. Las indicaciones de la pantalla LCD volverán a ser normales cuando la temperatura llegue a ser normal.


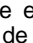
17 VISUALIZACIÓN DE FUNCIONES

La misma consiste en una gráfica de cinco barras que ofrece una representación visual del nivel de volumen y del equilibrio en los canales de la izquierda y la derecha. El nivel de volumen está representado por una gráfica de tres barras finas. Al subir el nivel de volumen, aumentará el número de segmentos encendidos. Los canales de la izquierda y la derecha están representados por una gráfica de barras más anchas. Al aumentar la señal aplicada al canal de la izquierda o al de la derecha, aumentará el número de segmentos encendidos.

18 SELECTOR DE MODO (MOD)

Este botón se usa para seleccionar la radio, o el modo reproductor de CD o cambiador de CD (si está instalado). Cada vez que oprima el botón, seleccionará un modo diferente que aparecerá indicado en el panel de visualización. Durante el funcionamiento del reproductor de CD, se puede usar este botón para cambiar a radio o a cambiador de CD sin eyectar el disco. La indicación permanecerá en el panel de visualización indicando que hay un disco en la unidad. La indicación **DISC** permanecerá en el panel de visualización indicando que el cambiador de CD está en funcionamiento. Oprima el botón nuevamente para volver al modo reproductor de CD y continuar con la reproducción del disco a partir del punto donde se detuvo.

19 RANURA PARA DISCOS

Con el panel delantero en posición plegada hacia abajo, inserte suavemente el disco en la ranura (con la etiqueta hacia arriba) hasta que el mecanismo de carga lo enganche y lo introduzca en la unidad. La indicación **LOAD** aparecerá momentáneamente en el panel de visualización, seguida por la duración del disco. La indicación  se ilumina y comienza a moverse, se enciende el símbolo  **IN**, y aparecerán el número de pista y duración en el panel de visualización.

PRECAUCIÓN: La unidad está destinada a reproducir los discos compactos normales de 5" (12 cm) SOLAMENTE. No intente usar los discos compactos de 3" (8 cm) en esta unidad, ya sea con adaptador o sin él, dado que se puede dañar el reproductor y/o disco. Esos daños no estarán cubiertos por la garantía de este producto.

⑳ SELECCIÓN DE PISTA (+ ►►/◄◄-)

Estas funciones de selección de pista se usan para acceder rápidamente al principio de una pista en particular. Cada vez que se aprieta el lado del botón de selección de pista hacia delante (+ ►►), se selecciona el número siguiente de pista en orden ascendente, tal como aparece indicado en el panel de visualización. De igual manera, cada vez que se aprieta el lado del botón de selección de pista hacia atrás (- ◄◄), se selecciona el número siguiente de pista en orden descendente, tal como aparece indicado en el panel de visualización.

㉑ FUNCIONES DE AVANCE Y RETROCESO (+ ►►/◄◄-)

Con estas funciones de avance y retroceso puede efectuarse la búsqueda rápida audible a cualquier sección del disco. Oprima y mantenga oprimido el lado (+ ►►) de avance del botón para avanzar rápidamente en dirección ascendente (el tiempo de duración de la reproducción del disco hasta donde se avanzó aparecerá en el panel de visualización) o el lado (- ◄◄) de retroceso del botón para moverse en dirección descendente (el tiempo de duración de la reproducción del disco hasta donde se retrocedió aparecerá en el panel de visualización). Durante cualquiera de las dos funciones, la duración de cada pista aparecerá automáticamente en el panel de visualización.

㉒ POSICIÓN PISTA UNO (TOP)

La función de posición pista uno se usa para volver rápidamente al comienzo del CD, a la pista 1.

㉓ SELECTOR DE EXPLORACIÓN DE PISTAS (SCN)

Durante la reproducción de un disco, oprima este botón para reproducir los primeros 10 segundos de cada pista del disco (**SCAN** aparecerá en el panel de visualización). Al llegar a la pista que desee, oprima de nuevo el botón de introducción y exploración para cancelar la función (**SCAN** desaparecerá del panel) y continuar con la reproducción de la pista seleccionada. También se cancelará la función de exploración al activar las funciones de reproducción repetida ㉔ o de reproducción con redistribución al azar ㉕.

㉔ SELECTOR DE REPRODUCCIÓN REPETIDA (RPT)

Durante la reproducción de un disco, oprima este botón para repetir la reproducción de la pista elegida (aparecerá **RPT** en el panel de visualización). La reproducción de la pista continuará repitiéndose hasta que oprima nuevamente el botón, la indicación **RPT** desaparecerá del panel de visualización. También se cancelará la función de reproducción repetida al activar las funciones de exploración de pistas ㉓ o de reproducción con redistribución al azar ㉕.

㉕ SELECTOR DE REPRODUCCIÓN CON REDISTRIBUCIÓN AL AZAR (RND)

Durante la reproducción de un disco, oprima este botón para reproducir las pistas del disco siguiendo un orden de redistribución al azar (**RND** aparecerá en el panel de visualización). En la modalidad de redistribución al azar, al oprimir el botón de selección de pista ㉒ también elegirá las pistas siguiendo un orden de redistribución al azar y no de avance normal. Puede cancelar esta modalidad de reproducción con redistribución al azar al oprimir nuevamente el botón (la indicación **RND** desaparecerá del panel de visualización) o al activar las funciones de reproducción repetida ㉔ o de exploración de pistas ㉓.

㉖ SELECCIÓN DE DISCO (D+ / D-)

Se usan estos botones para elegir el disco que desee reproducir. Para avanzar a un número de

disco mayor, oprima el botón **D+**, para volver a un número de disco menor, oprima el botón **D-**. El número del disco que se reproduce aparecerá en el panel de visualización.

27) BOTÓN DE EYECCIÓN (▲)

Se detiene la reproducción y se eyecta el disco cuando se pliega y baja el panel delantero y se oprime este botón que se encuentra en la parte trasera del panel. La función de radio o cambiador de CD volverá automáticamente según la modalidad en que estaba funcionando antes de la reproducción del disco. Si no se retira el disco de la unidad a los 10 segundos de su eyección, se recargará el disco automáticamente para evitar toda posibilidad de daño (aparecerá la indicación (---)▶⊕IN en el panel de visualización para indicar que hay un disco en el reproductor). Se puede reanudar la reproducción del disco pulsando el botón selector de modo (Ⓜ) para elegir el modo reproductor de CD.

28) SELECTOR DE HORA/FRECUENCIA (T/F)

Durante el funcionamiento de la radio, oprima este botón para que aparezca indicada la hora en el reloj de cuarzo incorporado. Después de 5 segundos, la indicación volverá a mostrar la frecuencia de radio. Durante el funcionamiento del reproductor de CD, la primera vez que oprima este botón aparecerá en el panel de visualización el tiempo transcurrido en esa pista. Durante el funcionamiento del cambiador de CD, la primera vez que oprima este botón aparecerá la hora. La segunda vez que oprima el botón aparecerá el número de disco y pista que se esté reproduciendo. En ambos casos, después de 5 segundos, el panel volverá a mostrar la indicación del disco.

29) SELECTOR ECUALIZADOR (EQ)

El botón **EQ** agrega a la salida de la señal de audio efectos de sonidos preestablecidos. Al oprimir el botón **EQ** activa uno de los tres modos de funcionamiento (**ROCK**, **CLAS** o **POP**). Cuando la función **EQ** está activada, no puede cambiar los niveles de los tonos graves y

agudos. Al desactivar la función **EQ**, la unidad vuelve a los niveles de tonos graves y agudos que eligió el usuario.

30) INDICADOR L.E.D. ANTIRROBO

El diodo emisor de luz (L.E.D.), ubicado en el chasis detrás del panel delantero, destellará intermitentemente cuando se quite el panel. La luz intermitente servirá como advertencia visual a un probable ladrón de que la unidad fue desactivada al desmontar el panel delantero.

31) BOTÓN DE REPOSICIÓN

En el panel delantero del chasis hay un botón de reposición (es necesario quitar el panel delantero para tener acceso al botón). El circuito de reposición sirve para proteger el circuito del microprocesador y solamente debe activarse en los siguientes casos, dado que borrará las memorias preestablecidas para la hora y las estaciones.

1. Durante la instalación inicial después de terminar las conexiones de todo el cableado.
2. Si hay algún desperfecto de cualquiera de los interruptores de la unidad, al apretar el botón de reposición se borrará el sistema para volver al funcionamiento normal.

32) SENSOR REMOTO

El sensor está ubicado detrás de este lente para detectar la señal infrarroja del control remoto inalámbrico. Siempre apunte el control remoto a este sensor para obtener un buen funcionamiento del mismo.




33) BOTÓN DE DESCONEXIÓN DEL PANEL DELANTERO (OPEN)

Este botón se usa para soltar el mecanismo que sujeta el panel delantero al chasis. Para desmontar el panel delantero, oprima el botón para dejar caer el panel en posición baja. Sujete el panel por el medio y sáquelo del chasis tirando del mismo. Una vez que retiró el panel empuje la placa de metal para ponerla en posición vertical. Para volver a enganchar el panel, colóquelo derecho y apriete hasta que el mecanismo quede trabado como corresponde.


NOTAS SOBRE EL USO DEL PANEL DELANTERO

1. Asegúrese de que el panel delantero esté en la posición correcta para fijarlo al chasis dado que no podrá colocarse cuando esté dado vuelta hacia abajo.
2. No lo apriete muy fuerte para enganchar el mecanismo. Solamente es necesario ejercer una presión que sea suave o moderada.
3. Al colocar el panel delantero, asegúrese de que esté en el centro de la estructura del chasis y que quede bien enganchado en su posición.
4. Al llevarse el panel delantero, sírvase usar el estuche provisto para evitar que el panel se ensucie o dañe. Asegúrese de que no haya polvo o suciedad en las terminales eléctricas de la parte posterior del panel que podrían provocar un funcionamiento intermitente u otros desperfectos.

AJUSTE DEL RELOJ

1. Ponga la llave de contacto del vehículo y la radio en "on".
2. Oprima el botón selector de hora/frecuencia para que aparezca la hora en el panel de visualización.
3. Oprima y mantenga apretado el botón selector de hora/frecuencia  durante 2 segundos aproximadamente hasta que muestre la hora en forma intermitente en el LCD.
4. A los 5 segundos de que la hora comience a destellar en forma intermitente, y mientras mantiene apretado el botón selector de hora/frecuencia, oprima el botón de sintonización descendente ( -) para ajustar las horas y la indicación **AM/PM** o el botón de sintonización descendente (+ ) para ajustar los minutos hasta llegar a la hora correcta.
5. Cinco segundos después de hacer el último ajuste de la hora o minutos, quedará programada la hora correcta en la unidad y el panel de visualización volverá a la indicación normal.

CÓDIGOS DE ERROR DEL REPRODUCTOR DE CD

Si se presentara algún problema durante el funcionamiento del reproductor de CD, es probable que aparezca un código de error (**ER-1**, **ER-2**, **ER-3**, etc.) en el panel de visualización. Esto puede indicar que hay distintos problemas en la unidad, incluso un error mecánico o un error en el control del microprocesador del reproductor. Si aparece un código de error, intente eyectar y volver a cargar el disco en el reproductor. Cuando el disco esté fuera de la unidad, fíjese si está limpio, sin daño alguno y colocado correctamente (con la etiqueta hacia arriba). También podría intentar activar el botón de Reposición  de la unidad, pero esto también borrará la hora y las memorias preestablecidas.

Si las medidas sugeridas no resuelven el problema, comuníquese con un centro de garantía autorizado cercano a su domicilio para recibir asistencia al respecto.

ESPECIFICACIONES

Tamaño:	7" (ancho) x 2" (altura) x 6 5/16" (profundidad) 178 mm x 50 mm x 160 mm
Tensión de servicio:	12 voltios CD, negativo a masa
Fusibles:	Conductor constante (cable amarillo): 15 AMP. Conductor conmutado (cable rojo): 1 AMP.
Potencia de salida:	máxima de 160 vatios (40 vatios x 4 canales)
Cableado de salida:	Tipo masa flotante diseñado para usar con 4 parlantes. NO SE PUEDE combinar los canales delanteros y traseros (puente) para usarlos con 2 parlantes. Salidas RCA de bajo nivel (canales traseros)
Impedancia de salida:	Compatible con parlantes de 4 - 8 ohms.
Salidas de bajo nivel:	500mv
Margen de sintonización:	AM: 530 - 1.720 KHz. (pasos de 10 kHz.) FM: 87,5 - 107,9 MHz. (pasos de 200 kHz.)
Sensibilidad:	AM: 20 uv. FM: 1.5 uv.
Separación estereofónica FM:	>20 dB
Respuesta de frecuencia de CD:	17 - 2 kHz. +0/-3 dB
Relación señal/ruido de CD:	>65 dB
Separación de canales de CD:	>60 dB
Distorsión de CD:	0.2%

*Las especificaciones están sujetas a cambios sin previo aviso.

CONTROLES DEL CAMBIADOR DE CD

La radio tiene controles incorporados para el funcionamiento de un cambiador de CD opcional. Consulte a su especialista en equipos estereofónicos para automóviles Rampage/Audiovox, o bien llame al 1-800-645-4994 para obtener recomendaciones sobre los modelos que van a funcionar con su radio.

Las funciones de ajuste de audio (volumen, tonos, equilibrio y atenuación acústica) para el cambiador de CD funcionan del mismo modo que para la radio. Los siguientes controles harán funcionar el cambiador de CD cuando se lo instale y conecte a esta radio. Consulte el manual del usuario que viene con el cambiador de CD para obtener instrucciones sobre la instalación y correcto uso y carga de discos.

34 SELECTOR DE MODO CAMBIADOR DE CD (MOD)

Durante el funcionamiento de la radio o del reproductor de CD, oprima este botón para elegir la función opcional de cambiador de CD, la indicación **CDC** aparecerá en el panel de visualización. Comenzará la reproducción del disco y el disco y número de pista aparecerán en el panel de visualización. Si se ha cargado un disco nuevo, comenzará la reproducción con la primer pista del primer disco en la bandeja. Si había una bandeja cargada en el cambiador, la reproducción continuará desde la pista en el disco que se estaba reproduciendo antes.

35 SELECCIÓN DE DISCO (CD+ y CD-)

Se usan estos botones para elegir el disco que desee reproducir. Para avanzar a un número de disco mayor, oprima el botón **CD+** 26. Para retroceder a un número de disco menor, oprima el botón **CD-**. El número del disco que se reproduce aparecerá en el panel de visualización.

36 SELECCIÓN DE PISTA (+▶▶▶/◀◀◀-)

Estas funciones de selección de pista se usan para acceder rápidamente al principio de una

pista en particular. Cada vez que se aprieta el lado de selección de pista hacia delante (+▶▶▶) del botón, se selecciona el número siguiente de pista en orden ascendente, tal como aparece indicado en el panel de visualización. De igual manera, cada vez que se aprieta el lado del botón de selección de pista hacia atrás (◀◀◀-), se selecciona el número siguiente de pista en orden descendente, tal como aparece indicado en el panel de visualización.

37 FUNCIONES DE AVANCE Y RETROCESO (+▶▶▶/◀◀◀-)

Con estas funciones de avance y retroceso puede efectuarse la búsqueda rápida audible a cualquier sección del disco. Oprima y mantenga apretado el lado de avance (+▶▶▶) del botón para avanzar rápidamente en dirección ascendente o el lado de retroceso (◀◀◀-) del botón para hacerlo en dirección descendente.

38 SELECTOR DE EXPLORACIÓN DE PISTA / DISCO (SCN)

Al oprimir el botón de exploración, aparecerá la indicación **SCN** en el panel de visualización, y se reproducirán en orden los primeros 10 segundos de cada pista del disco. Al llegar a la pista que desee oprima dos veces el botón de exploración, con un intervalo de un segundo entre una y otra, para continuar con la reproducción de la pista seleccionada (la indicación **SCN** desaparecerá del panel de visualización). También se cancelará la función exploración de pistas al activar cualquier otra función de disco (pista uno, repetición o redistribución al azar).

Al oprimir el botón de exploración dos veces, aparecerán las indicaciones **DISC** y **SCN** en el panel de visualización, y se reproducirán en orden los primeros 10 segundos de cada una de las pistas de cada disco que haya en la bandeja. Al llegar al disco que desee, oprima nuevamente el botón de exploración para continuar con la reproducción del disco seleccionado (las indicaciones **DISC** y **SCN** desaparecerán del panel de vi-

sualización). También se cancelará la función exploración de disco al activar cualquier otra función de disco (pista uno, repetición o redistribución al azar).

③⑨ REPRODUCCIÓN REPETIDA DE DISCO / PISTA (RPT)

Cuando se oprime el botón de repetición, aparecerá la indicación **RPT** en el panel de visualización y la reproducción de la pista elegida se repetirá constantemente hasta que se cancele al volver a oprimir el botón de repetición o al activar las funciones de selección de disco ③⑤, exploración ③⑧ o redistribución al azar ④①.

Cuando se oprime el botón de repetición dos veces, aparecerán las indicaciones **DISC** y **RPT** en el panel de visualización y la reproducción del disco elegido se repetirá constantemente hasta que se cancele al volver a oprimir el botón de repetición o al activar las funciones de exploración ③⑧ o redistribución al azar ④①.

④① REPRODUCCIÓN DE DISCO / PISTA CON REDISTRIBUCIÓN AL AZAR (RND)

Cuando oprima el botón de redistribución al

azar, aparecerá la indicación **RND** en el panel de visualización y la reproducción de las pistas del disco seguirá un orden de redistribución al azar. El botón de selección de pistas ③⑥ también elegirá las pistas siguiendo un orden de redistribución al azar y no de avance normal. Se puede cancelar esta modalidad oprimiendo nuevamente el botón de redistribución al azar o activando las funciones de selección de disco ③⑤, exploración ③⑧ o repetición ③⑨.

Cuando oprima el botón de redistribución al azar, aparecerán las indicaciones **DISC** y **RND** en el panel de visualización y la reproducción de los discos en la bandeja seguirá un orden de redistribución al azar. Después de reproducir una pista de un disco en la bandeja, elegida con redistribución al azar, la unidad elegirá al azar una nueva pista en otro disco y la reproducirá. La modalidad de redistribución al azar continuará hasta que la cancele oprimiendo nuevamente el botón o al activar las funciones de exploración ③⑧ o de repetición ③⑨.

CÓDIGOS DE ERROR DEL CAMBIADOR DE CD

Si se presentara algún problema durante el funcionamiento del cambiador de CD, es probable que aparezcan los siguientes códigos de error en el panel de visualización.

- ER-1:** Indica que no hay una bandeja cargada en el cambiador de CD.
- ER-2:** Indica que hay un problema con la función de eyección de la bandeja.
- ER-3:** Indica que hay un error en la función de carga del disco.
- ER-4:** Indica que hay un error en la función de descarga del disco.
- ER-5:** Indica que hay un error en la posición de la bandeja.
- ER-6:** Indica que hay un error en la posición levantada del láser.
- ER-7:** Indica que hay un error en el foco del láser sobre el disco.

En los casos antes citados, intente eyectar la bandeja de CD del cambiador y fíjese que los discos estén limpios, sin daño alguno y colocados correctamente (consulte el manual del usuario del cambiador de CD). Vuelva a cargar la bandeja y compruebe el funcionamiento correcto. También podría intentar activar el botón de **reposición** ③① de la unidad, pero esto también borrará la hora y las memorias preestablecidas.

Si las medidas sugeridas no resuelven el problema, comuníquese con un centro de garantía autorizado cercano a su domicilio para recibir asistencia al respecto.

FUNCIONAMIENTO DEL CONTROL REMOTO INALÁMBRICO

El control remoto inalámbrico de este modelo sirve para manejar a distancia la mayoría de las características de la unidad. Los botones de las funciones en el control remoto funcionan de la misma forma que el botón correspondiente en la unidad principal. Siempre apunte el control remoto hacia el sensor ⑳ ubicado en el panel delantero para obtener un buen funcionamiento.

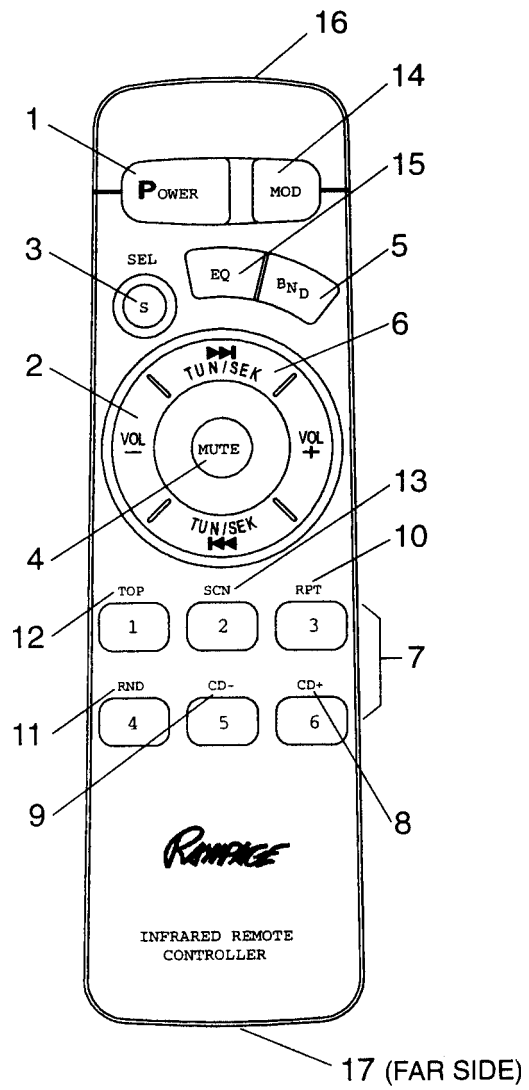
- ① **BOTÓN DE ALIMENTACIÓN ENCENDIDO-APAGADO** - Consulte la unidad principal ①
- ② **CONTROL DEL NIVEL DE VOLUMEN**- Consulte la unidad principal ②, ③, ④, ⑤, ⑥ y ⑦ excepto oprima + ►► para subir el nivel y ◀◀ para bajarlo
- ③ **BOTÓN(ES) SELECTOR(ES)** - Consulte la unidad principal ③, ④, ⑤, ⑥ y ⑦
- ④ **SIN AUDIO (MUTE)** - Consulte la unidad principal ⑨
- ⑤ **SELECTOR DE BANDA AM/FM (BND)** - Consulte la unidad principal ⑩
- ⑥ **SINTONIZACIÓN MANUAL ASCENDENTE/ DESCENDENTE** - Consulte la unidad principal ⑪ excepto oprima + ►► para frecuencia ascendente y ◀◀ para frecuencia descendente.

SINTONIZACIÓN CON BÚSQUEDA AUTOMÁTICA - Consulte la unidad principal ⑪ excepto oprima + ►► para búsqueda ascendente y ◀◀ para búsqueda descendente.

SELECCIÓN DE PISTA - Consulte la unidad principal ⑫ y ⑬ excepto oprima + ►► para elegir un número de pista mayor y ◀◀ para elegir uno menor.

AVANCE Y RETROCESO - Consulte la unidad principal ⑭ y ⑮ excepto oprima + ►► para avanzar en el disco y ◀◀ para retroceder.

- ⑦ **MEMORIAS PREESTABLECIDAS 1-6 DE LA RADIO** - Consulte la unidad principal ⑮
- ⑧ **SELECCIÓN ASCENDENTE DE DISCO (D+)** - Consulte la unidad principal ⑮
- ⑨ **SELECCIÓN DESCENDENTE DE DISCO (D-)** - Consulte la unidad principal ⑮
- ⑩ **REPRODUCCIÓN REPETIDA DE PISTA / DISCO (RPT)** - Consulte la unidad principal ⑳ y ㉑
- ⑪ **REPRODUCCIÓN DE PISTA / DISCO CON REDISTRIBUCIÓN AL AZAR (RND)** - Consulte la unidad principal ㉒ y ④
- ⑫ **POSICIÓN UNO DE PISTA / DISCO (TOP)** - Consulte la unidad principal ②
- ⑬ **EXPLORACIÓN DE PISTA / DISCO (SCN)** - Consulte la unidad principal ㉓ y ③
- ⑭ **SELECTOR DE MODO (MOD)** - Consulte la unidad principal ⑮ y ㉔
- ⑮ **BOTÓN ECUALIZADOR DE AUDIO (EQ)** - Consulte la unidad principal ⑲
- ⑯ **TRANSMISOR INFRARROJO** - Emite una señal infrarroja hacia la radio que detecta el sensor ㉕
- ⑰ **COMPARTIMENTO PARA PILAS** - El control remoto inalámbrico funciona con dos pilas AAA.



CUIDADO Y MANTENIMIENTO


La sección de la radio de su nuevo sistema de sonido no requiere mantenimiento alguno. Le recomendamos guardar este manual para consultar las diversas funciones que tiene la unidad y la forma de poner la hora.

La sección del reproductor de discos compactos tampoco requiere mantenimiento constante, pero los conocimientos adecuados del sistema, su uso y manejo le ayudarán a disfrutar al máximo sus posibilidades. Se recomienda tener en cuenta lo siguiente:

- Al limpiar el interior del vehículo, no deje que entre agua o algún líquido de limpieza en la unidad.
- El reproductor de discos compactos es un instrumento de precisión y no va a funcionar como corresponde cuando se encuentre en lugares de mucho calor o frío. En caso de existir esas condiciones, espere hasta que la temperatura interior del vehículo llegue a una temperatura normal antes de usar el reproductor.
- Si la temperatura interior del reproductor es muy elevada, un circuito protector detendrá automáticamente el disco. En este caso, deje que la unidad se enfríe antes de volver a usar el reproductor.
- Nunca inserte alguna otra cosa que no sea un disco compacto de 5" (12 cm) en el reproductor dado que el mecanismo puede dañarse con objetos extraños.
- No intente usar discos compactos de 3" (8 cm) en esta unidad, ya sea con un adaptador o sin él, dado que se puede dañar al reproductor y/o disco. Esos daños no estarán cubiertos por la garantía de este producto.
- Cuando no use el reproductor de discos, siempre quite el disco compacto. No deje un disco eyectado en la ranura del disco dado que puede quedar expuesto a la luz directa del sol y otras causas de daños.
- No intente abrir el chasis de la unidad. No hay piezas que el usuario pueda arreglar ni tampoco se pueden hacer ajustes internos.
- Cuando el vehículo se calienta en climas fríos, o en condiciones de mucha humedad, la humedad puede condensarse en la lente del reproductor de discos. Si esto ocurriera, el reproductor no funcionará en la forma adecuada hasta que se evapore la humedad.
- La unidad está diseñada con un mecanismo para discos compactos que amortigua las vibraciones a efectos de minimizar la interrupción de la reproducción del disco como consecuencia de una vibración normal en un vehículo en movimiento. Al conducir en carreteras de suelo desparejo, sin embargo, se pueden producir algunas omisiones de sonido. Esto no rayará ni dañará el disco y la reproducción normal continuará cuando las condiciones sean normales de nuevo.

MANEJO DE LOS DISCOS COMPACTOS

La suciedad, el polvo, los rayones y el combado de los discos puede ocasionar omisiones en la reproducción y deterioro de la calidad del sonido. Sírvase tener en cuenta las siguientes pautas para cuidar los discos compactos:

- Use solamente los discos compactos que tengan la marca ." data-bbox="578 641 641 671"/>
- Es necesario limpiar bien toda huella digital, polvillo y suciedad que tenga la superficie del disco (el lado brillante), para lo cual puede usar un paño suave. Limpie con movimientos rectos de adentro hacia afuera del disco.
- Nunca use productos químicos tales como limpiadores en aerosol para discos, productos de limpieza para el hogar o algún diluyente para limpiar los discos compactos. Esos productos químicos pueden dañar irreversiblemente la superficie del disco.
- Es conveniente guardar los discos en sus estuches cuando no estén en uso.
- No exponga los discos a la luz directa del sol, a altas temperaturas o a un alto nivel de humedad durante períodos prolongados.
- No pegue ningún papel, cinta o etiqueta en las superficies de los discos ni tampoco escriba sobre ellos con algún tipo de marcador.

GARANTÍA LIMITADA DE 12 MESES

AUDIOVOX CORPORATION (la Compañía) garantiza al comprador minorista original del presente producto que, en el caso de que este producto o cualquiera de las partes del mismo, en circunstancias y condiciones de uso normal, tuviera algún defecto, tanto en el material como en la mano de obra, dentro de un plazo de 12 meses a partir de la fecha de compra original, dicho(s) defecto(s) serán reparados o reemplazados por piezas nuevas o reconstruidas (a entero criterio de la Compañía) sin cargo alguno por las piezas y la mano de obra.

Para obtener servicios de reparación o sustitución en virtud de los términos y las condiciones de esta Garantía, se deberá entregar o enviar el producto con la correspondiente constancia de la garantía (por ejemplo, recibo de compra fechado) con flete prepago al centro de servicios de garantía a la dirección que se indica a continuación.

La presente Garantía no cubre la eliminación de la estática del vehículo o el ruido del motor, la corrección de los problemas de antena, los gastos incurridos para la instalación, desmontaje o reinstalación del producto, ni los daños ocasionados en cintas, discos compactos, parlantes, accesorios o sistemas eléctricos del vehículo.

La presente Garantía no corresponde a todo producto o pieza del mismo que, según la opinión de la Compañía, haya sufrido daños como consecuencia de alguna modificación, instalación incorrecta, maltrato, uso indebido, negligencia, accidente o por la eliminación o mutilación de las etiquetas con el número de serie de fábrica o los códigos de barra. EL ALCANCE DE LA OBLIGACIÓN DE LA COMPAÑÍA EN VIRTUD DE LA PRESENTE GARANTÍA ESTÁ LIMITADO A LA REPARACIÓN O EL REEMPLAZO SEGÚN LO PRECEDENTE Y, POR NINGÚN CONCEPTO, LA OBLIGACIÓN DE LA COMPAÑÍA EXCEDERÁ EL PRECIO DE COMPRA PAGADO POR EL COMPRADOR POR EL PRODUCTO.

La presente Garantía reemplaza a todas las demás obligaciones o garantías expresas. TODA GARANTÍA IMPLÍCITA, INCLUSO AQUELLAS GARANTÍAS IMPLÍCITAS DE BUENA CALIDAD Y COMERCIALIZACIÓN, ESTARÁ LIMITADA A LA DURACIÓN DE ESTA GARANTÍA ESCRITA. TODA DEMANDA POR INCUMPLIMIENTO DE GARANTÍA, SEGÚN LO INDICADO EN LA PRESENTE, INCLUSO TODA GARANTÍA IMPLÍCITA O DE COMERCIALIZACIÓN, DEBERÁ ENTABLARSE EN UN PLAZO DE 30 MESES A PARTIR DE LA FECHA DE COMPRA ORIGINAL. EN NINGÚN CASO LA COMPAÑÍA TENDRÁ RESPONSABILIDAD ALGUNA POR DAÑOS INDIRECTOS O INCIDENTALES POR INCUMPLIMIENTO DE LA PRESENTE GARANTÍA O DE CUALQUIER OTRA GARANTÍA, YA SEA EXPRESA O IMPLÍCITA, DE CUALQUIER CARÁCTER. Ninguna persona ni representante está autorizada a asumir responsabilidad alguna en nombre de la Compañía, excepto por lo expresado en la presente garantía, en relación con la venta de este producto.

Algunos estados no permiten las limitaciones impuestas sobre la duración de las garantías implícitas o la exclusión o limitación de los daños indirectos, especiales o derivados, por lo tanto es probable que las limitaciones o exclusiones antes mencionadas no correspondan en su caso. Esta Garantía otorga derechos legales específicos y usted puede tener otros derechos que varían de acuerdo con el estado de que se trate.

E.U.A: AUDIOVOX CORPORATION, 150 MARCUS BLVD., HAUPPAUGE, NEW YORK 11788 • 1-800-645-4994
CANADÁ: LLAME 1-800-645-4994 PARA OBTENER INFORMACIÓN SOBRE EL CENTRO AUTORIZADO PARA SERVICIOS POR GARANTÍA MÁS CERCANO A SU DOMICILIO.

128-4270E

