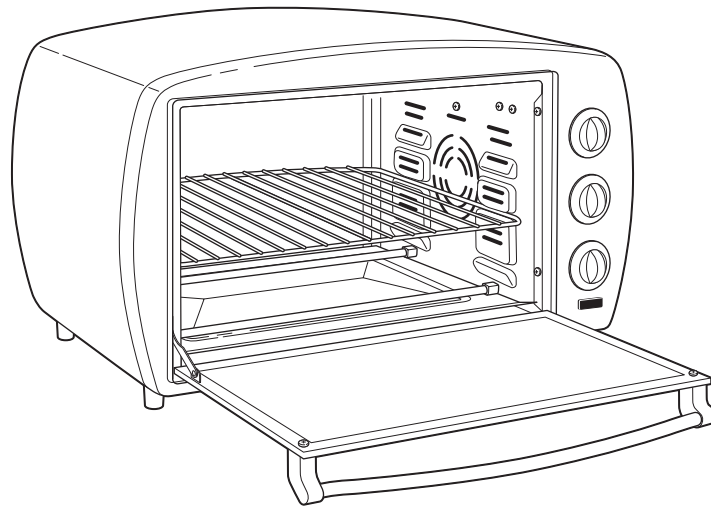


# *Toaster Oven*

# *Four grille-pain*

# *Horno tostador*



**READ BEFORE USE**  
**LIRE AVANT L'UTILISATION**  
**LEA ANTES DE USAR**

English ..... 2  
**USA: 1-800-851-8900**

Français ..... 14  
**Canada : 1-800-267-2826**

Español ..... 26  
**México: 01 800 71 16 100**

Le invitamos a leer cuidadosamente este instructivo antes de usar su aparato.

## **WARNING**

### **Fire Hazard**

- Do not operate unattended while in Toast mode.
- Do not use with oven cooking bags.
- Do not store any materials, other than recommended accessories, in this oven when not in use.
- Always allow at least one inch between food and heating element.
- Do not cover or use near curtains, walls, cabinets, paper or plastic products, cloth towels, etc. Keep 2 to 4 inches away from wall or any objects on countertop.
- Close supervision is necessary when used by or near children.
- Always unplug toaster oven when not in use.
- Regular cleaning reduces risk of fire hazard.
- If contents ignite, do not open oven door. Unplug oven and allow contents to stop burning and cool before opening door.
- Failure to follow these instructions can result in death or fire.

### **Shock Hazard**

- Do not immerse this appliance in water or other liquid.
- This appliance has a polarized plug (one wide blade) that reduces the risk of electrical shock. The plug fits only one way into a polarized outlet. Do not defeat the safety purpose of the plug by modifying the plug in any way or using an adaptor. If the plug does not fit, reverse the plug. If it still does not fit, have an electrician replace the outlet.

## **IMPORTANT SAFEGUARDS**

When using electrical appliances, basic safety precautions should always be followed, including the following:

1. Read all instructions.
2. Do not touch hot surfaces. Use handles or knobs.
3. To protect against electrical shock do not immerse cord, plug, or toaster oven in water or other liquid.
4. Close supervision is necessary when any appliance is used by or near children.
5. Unplug from outlet when not in use and before cleaning. Allow to cool before cleaning appliance and putting on or taking off parts.
6. Do not operate any appliance with a damaged cord or plug, or after the appliance malfunctions or is dropped or damaged in any manner. Call our toll-free customer assistance number for information on examination, repair or adjustment.
7. The use of accessory attachments not recommended by the appliance manufacturer may cause injuries.
8. Do not use outdoors.
9. Do not let cord hang over edge of table or counter, or touch hot surfaces, including the stove.
10. Do not place on or near a hot gas or electric burner, or in a heated oven.
11. Extreme caution must be used when moving an appliance containing hot oil or other hot liquids. Be sure to allow hot oil or liquids to cool before moving appliance.
12. To disconnect, turn all controls to Off, then remove plug from wall outlet.
13. Use extreme caution when removing tray or disposing of hot grease.

14. Do not clean with metal scouring pads. Pieces can break off the pad and touch electrical parts, creating a risk of electrical shock.
15. Oversize foods or metal utensils must not be inserted in a toaster oven as they may create a fire or risk of electric shock.
16. A fire may occur if the toaster oven is covered, touching or near flammable material, including curtains, draperies, walls, and the like, when in operation. Do not store any item on top of the appliance when in operation, or before the appliance cools down.
17. Extreme caution should be exercised when using containers constructed of other than metal or glass.
18. Do not store any materials, other than appliance manufacturer recommended accessories, in this oven when not in use.
19. Do not place any of the following materials in the oven: paper, cardboard, plastic, and the like.
20. Do not cover crumb tray or any part of the oven with metal foil. This will cause overheating of the oven.
21. To turn the oven off or stop a toast cycle, rotate Timer Knob to "OFF" position.
22. Do not place eyes or face in close proximity with tempered safety glass door in the event that the safety glass breaks.
23. Do not use appliance for other than intended use.
24. Before using this appliance, move it 2 to 4 inches away from wall or any object on the countertop. Remove any object that may have been placed on top of the appliance. Do not use on surfaces where heat may cause a problem.
25. If plug gets hot, please call a qualified electrician.
26. The oven door is not a shelf. Do not place anything on the door.
27. Use extreme caution when extending loaded rack or adding food to extended rack.

## SAVE THESE INSTRUCTIONS

### Consumer Safety Information

#### **This appliance is intended for household use only.**

The length of the cord used on this appliance was selected to reduce the hazards of becoming tangled in, or tripping over a longer cord. If a longer cord is necessary an approved extension cord may be used. The electrical rating of the extension cord must be equal to or greater than the rating of the toaster oven. Care must be taken to arrange the extension cord so that it will not drape over the countertop or tabletop where it can be pulled on by children or accidentally tripped over.

This appliance is equipped with a fully tempered safety glass door. The tempered glass is four times stronger than ordinary glass and more resistant to breakage. Tempered glass can break, however it

breaks into pieces with no sharp edges. Care must be taken to avoid scratching door surface or nicking edges. If the door has a scratch or nick, call our toll-free customer assistance number.

Always unplug appliance from the outlet when not in use.

When heavy foods are on the oven rack, do not pull the oven rack out more than halfway. To baste or check for doneness, remove food from the oven and place on heat-resistant countertop surface or trivet.

Do not place bake pan directly on heating elements.

To avoid an electrical circuit overload, do not operate another high-wattage appliance on the same circuit with the toaster oven.

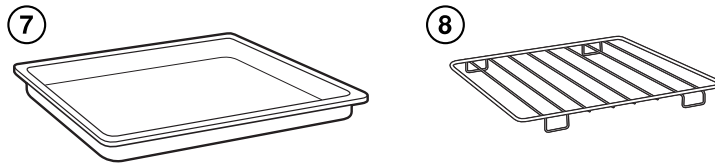
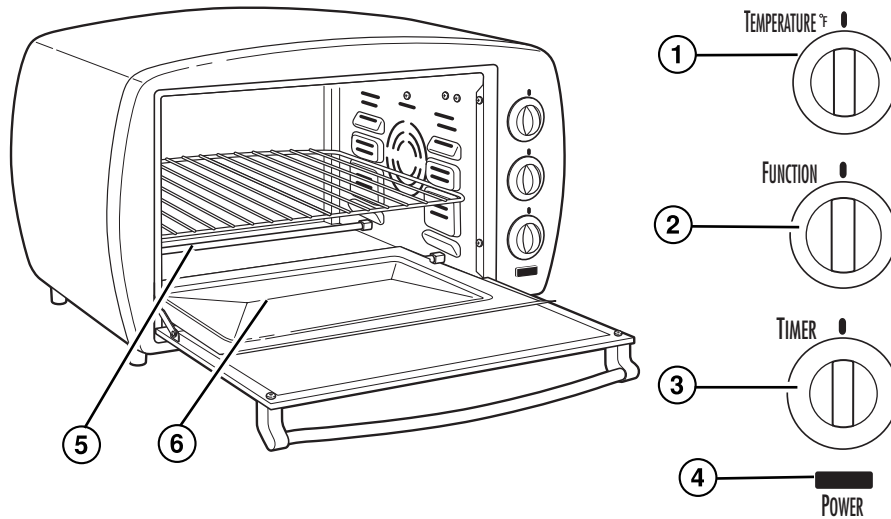
#### **Before First Use**

Most heating appliances produce an odor and/or smoke when used for the first time. Plug toaster oven into outlet. Turn the Oven Control Switch to 450°F. Set Toast Shade Selector/Timer to Oven ON. Heat at this temperature for 10 minutes. The odor

should not be present after this initial preheating. Remove baking pan, broil rack, and oven rack. Wash in hot, soapy water. Rinse and dry.

## Parts and Features

- |                          |                                     |
|--------------------------|-------------------------------------|
| 1. Temperature Knob      | 5. Oven Rack (2 with select models) |
| 2. Function Knob         | 6. Slide-Out Crumb Tray             |
| 3. ON/OFF/Timer Knob     | 7. Bake Pan                         |
| 4. Power Indicator Light | 8. Broiler Rack                     |



## How to Use Your Oven

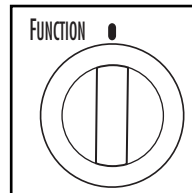
### To Toast

**IMPORTANT!** The Function Knob must be in the TOAST position and the Temperature Knob must be in the Broil/Toast position or unit will not toast properly.

1. Place oven rack in the middle position and insert bread item.

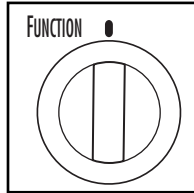
4

2. Set the Temperature Knob to BROIL/TOAST position.

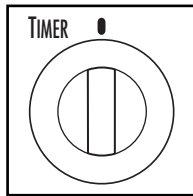


## To Toast

3. Set the Function Knob to TOAST or BAKE/TOAST.



4. Set Timer Knob to desired toast color. To set Timer properly, always rotate past the 10 minute mark and then rotate back to the toasting symbol that represents the desired toast color.



This will ensure that the timer operates correctly and safely.

**NOTE:** Due to the height and depth of this oven, you will experience longer toast times than you would in a smaller oven or in a toaster.

5. A bell will sound at the end of the toast cycle. To stop toasting before the cycle is complete, turn Timer Knob to OFF.
6. When finished, turn OFF. Unplug from outlet.

## WARNING

### Fire Hazard

Do not leave oven unattended during toasting or top-browning.

## Toasting Tips

This oven retains heat very well. When making more than one batch of toast, the toast shade selector should be set to a lighter color on the second batch to get the same shade of toast as the first.

- **To toast bread**, place bread 1½ inches (4 cm) from the front edge of rack.
- **To toast bagels**, place oven rack in the high position and place bagels cut side facing up. This will toast the cut side more than the outside of the bagel. Set Toast Shade Selector to the Medium setting.
- **To toast English muffins**, place oven rack in the middle position and place English muffins with the split side facing up. Set Toast Shade Selector to a Medium setting.
- **To toast regular toaster pastry, frozen pastry, or waffles**, place oven rack in the middle position. Select a light color and toast directly on the oven rack. If pastry has a glaze of frosting, use baking pan.
- When toasting, **condensation** may form on the oven door. A toaster oven is enclosed so the moisture is slow to escape. After toasting, wipe door to dry and make clean-up easier.
- When the bell sounds at the end of the cycle, **remove toast immediately** or the heat remaining in the toaster oven will continue to toast and dry out your toast.
- The **number of slices** of bread, the **bread freshness**, and the **starting temperature** of the oven will affect toast color. If the oven is already hot, select a lighter shade of toast than normal. Adjust the Toast Shade Selector to achieve the desired color.

## Baking and Traditional Cooking

1. Place oven rack in middle or low position depending on food to be cooked.
2. Set Temperature Knob to desired temperature.
3. Set Function Knob to BAKE or BAKE/TOAST.
4. To set Timer properly, always rotate past the 10 minute mark and then rotate back to desired time. Let oven preheat for five minutes before beginning to bake food.
5. Place food to be baked into oven.
6. Set Timer to desired time or Stay On. If you are baking less than 10 minutes, rotate Timer past 10 minutes then back to your desired baking time.
7. When finished, turn OFF. Unplug from outlet.

### Warming and Reheating Tips

- Do not completely enclose foods in aluminum foil. Foil can insulate foods and slow down heating.
- To reheat rolls or biscuits, place on baking pan and heat at 300°F (150°C) for 10 minutes.
- Reheat leftover roasts or casseroles at 350°F (180°C) for 20 to 30 minutes or until heated through.

### Baking Tips

- The convection method (available on select models) cooks up to one-third faster than traditional baking. When first using, check to determine if time or temperature should be adjusted.
- Cooking time will vary considerably depending on the density of food. Cook until thermometer inserted in the center of the meat registers desired doneness.

### Pan Sizes

The following pans should fit your oven. To be sure, place the pan in the oven to check the fit before preparing the recipe.

- 6-cup muffin pan
- 2 8 x 4-inch (20 x 10 cm) loaf pans
- 9 x 5-inch (23 x 13 cm) loaf pans
- 2 8-inch (20 cm) round or square baking pans
- Most 1 to 1½ quart (1 to 1½ L) casserole dishes

### Pizza Tips

- **To reheat pizza**, never place box in oven. Slices of pizza should be reheated on broil rack in baking pan with oven rack in middle position.
- **For crisp crust pizza**, cook frozen pizza directly on oven rack with rack in middle position.
- **For soft crust pizza**, cook frozen pizza oven rack covered with aluminum foil with rack in lowest position.
- **For a homemade crust pizza** (or any soft dough), cook pizza on baking pan with pan in lowest rack position.

## ! WARNING

### Fire Hazard

- Do not leave oven unattended during operation.
- Keep one inch between food and heating element.
- Do not use oven cooking bags.
- Do not heat foods in plastic containers.
- Follow food manufacturers instructions.

## Broiling

1. Place oven rack in high or middle position. Place food on broil rack in the bake pan and place in oven. Do not preheat oven.
2. Set Temperature Knob to BROIL/TOAST.
3. Set Function Knob to BROIL.
4. To set Timer properly, always rotate past the 10 minute mark and then rotate back to desired time.
5. Halfway through cooking time, or when food has browned, turn food over to brown and cook other side.
6. When finished, turn OFF. Unplug from outlet.

### **! WARNING**

#### **Fire Hazard**

Do not leave oven unattended during toasting or top-browning.

### Broiling Tips

- For best results, do not preheat oven when broiling.
- Always allow at least one inch between the food and the heating element.
- Use oven rack in high position for faster broiling times. Use lower position for foods needing longer broiling times, like chicken.

### Broiling Chart

FOOD	APPROXIMATE TIME
Hamburgers	20 minutes
Hot Dogs	15 minutes
Sausage Links or Patties (pierce casings before cooking)	15 to 20 minutes
Fish	15 minutes

These cooking times are an average and should be adjusted to individual preferences. Turn foods halfway through cooking time.

## *Optional Features* (available on certain models)

### Convection Cooking

**NOTE:** Most food items will bake up to one-fourth faster in convection mode than traditional bake mode.

1. Place oven rack in middle or low position depending on food to be cooked.
2. Set Temperature Knob to desired temperature.
3. Set Function Knob to CONVECTION.
4. To set Timer properly, always rotate past the 10 minute mark and then rotate back to desired time.
5. Place food to be baked into oven.
6. Set Timer between 5 and 15 minutes or to Stay On.
7. When finished, turn OFF. Unplug from outlet.

## *Cleaning Your Oven*

Clean the slide-out crumb tray regularly for best performance and long life.

1. Unplug oven and allow to cool.
2. Wash oven rack and baking pan in hot, soapy water. Rinse and dry.
3. To clean the crumb tray, slide out and wipe crumb tray with a damp cloth. Slide back into position.
4. To clean the oven interior walls and outside of oven, wipe with a damp cloth. Do not use abrasive cleansers. Do not clean with metal scouring pads. Pieces can break off metal scouring pad and touch electrical parts, causing a risk of electric shock.

## *Troubleshooting*

### **The oven will not heat.**

Check to make sure outlet is working and oven is plugged in. Turn Temperature Knob to 350°F (180°C), turn Function Knob to BAKE or BAKE/TOAST and turn Timer to Stay On.

### **An odor and smoke comes from the oven.**

Smoke and odor is normal during the first use of most heating appliances. This will not be present after the initial heating period.

### **Some foods burn and some are not done.**

Use oven rack position to center food in the oven. Adjust oven temperature or cooking time for best results with your recipes.

## *Baking Recipes*

### **Roast Chicken**

To roast a whole chicken in the oven, it must be 5 pounds or smaller. Roast chicken at 325°F (160°C) for 2½ hours or to an internal temperature of 180°F (82°C).

### **Baked Potatoes**

4 medium baking potatoes, about 10-ounces each

To preheat oven, set Temperature Control Knob to 425°F (220°C); set Function Knob to **BAKE/TOAST**. Wash potatoes then pierce skin with a fork. Place potatoes on baking pan and put in oven. Bake for 1 hour or until done. Do not wrap in aluminum foil as this may increase cooking time.

### **Hot Mexican Bean Dip**

15-ounce (425 g) can black beans,  
well drained

1 teaspoon (5 ml) hot pepper sauce  
½ cup (80 ml) sour cream

⅓ cup (80 ml) salsa

4 ounces (115 g) Monterey Jack cheese,  
grated

To preheat oven, set Temperature Control Knob to 350°F (180°C); set Function Knob to **BAKE/TOAST**. Mash black beans. Add hot pepper sauce, sour cream, salsa and half of the cheese. Spoon into shallow casserole dish. Sprinkle remaining cheese on top. Bake for about 10 minutes, or until bubbly. Serve with tortilla chips. **Makes 3 cups.**



# Baking Recipes

## Mini Meat Loaves

1 pound (450 g) lean ground beef	1 tablespoon (15 ml) fresh parsley, finely chopped
1 small onion, finely chopped	¼ teaspoon (1.25 ml) salt
¾ cup (175 ml) fresh bread crumbs	¼ teaspoon (1.25 ml) pepper
1 egg, beaten	
1 tablespoon (15 ml) Parmesan cheese, grated	

To preheat oven, set Temperature Control Knob to 350°F (180°C); set Function Knob to **BAKE/TOAST**. Combine all ingredients and mix well. Divide mixture in a 6-cup muffin pan. Bake for 30 minutes or until done. **Makes 4 to 6 servings.**

## Minute Muffins

1 cup (250 ml) self-rising flour  
½ cup (125 ml) milk  
2 tablespoons (30 ml) mayonnaise or sour cream

To preheat oven, set Temperature Control Knob to 450°F (230°C); set Function Knob to **BAKE/TOAST**. Stir together ingredients. Spoon into greased 6 cup muffin pan. Bake for 12 minutes or until done. **Makes 6 muffins.**

## 5 Minute Pizza

English muffins, split in half and slightly toasted	Grated mozzarella cheese
Pizza or spaghetti sauce	Pepperoni slices

To preheat oven, set Temperature Control Knob to 450°F (230°C); set Function Knob to **BAKE/TOAST**. Place muffin halves on baking pan cut side up. Spread some sauce on top of each muffin. Sprinkle with cheese then top with pepperoni. Place pan in oven and bake for about 5 minutes or until cheese melts.

## Raspberry-Pepper Glazed Ham

1 7-pound (3150 g) cooked bone-in spiral-cut ham	1 tablespoon (15 ml) garlic, minced
1 12-ounce (350 g) jar raspberry preserves	1 tablespoon (15 ml) black pepper
2 tablespoons (30 ml) white vinegar	2 tablespoons (30 ml) raspberry liqueur, optional

To preheat oven, set Temperature Control Knob to 350°F (180°C); set Function Knob to **BAKE/TOAST**.

Place oven rack in lowest position. Assemble broil rack in baking pan and place ham on rack. Prepare and heat ham according to package directions.

In a saucepan, combine raspberry preserves, white vinegar, garlic, black pepper, and raspberry liqueur, (optional). Cook on medium until small bubbles appear around edge. Brush half of glaze over ham 30 minutes before it is done. Bake for final 30 minutes. Reheat remaining glaze. Remove glazed ham from oven. Spoon remaining glaze over ham just before serving. **Makes 20 servings.**

### Honey Bun Cake

½ cup (125 ml) packed brown sugar      ⅔ cup (150 ml) vegetable oil  
 ½ cup (125 ml) white sugar              4 eggs  
 ⅓ cup (80 ml) chopped pecans (optional) 8 ounces (225 g) plain yogurt  
 2 teaspoons (10 ml) ground cinnamon  
 1 package 18.25 ounce (517g)  
     yellow cake mix

To preheat oven, set Temperature Control Knob to 350°F (180°C); set Function Knob to **BAKE/TOAST**.

Grease bottom and sides of a bunt pan with shortening; lightly flour. In a small bowl, mix brown sugar, white sugar, pecans (optional), and cinnamon until well blended; set aside. In a large bowl, beat cake mix, oil, eggs, and yogurt with an electric mixer on medium speed for 2 minutes. Spread half of the batter in the pan. Evenly spread cinnamon mixture over the batter. Spread remaining batter over the cinnamon layer. Bake about 55 minutes or until toothpick inserted in to the center comes out clean. Allow cake to cool 10 minutes and turn on to plate.

**Makes 12 servings.**

### Honey Bun Cake Glaze

1 cup (250 ml) powdered sugar  
 2 teaspoons (10 ml) milk  
 ½ teaspoon (2.5 ml) vanilla or desired extract

In a small bowl, mix powdered sugar, milk, and extract until smooth. Prick top of cake with fork and drizzle glaze over cake while slightly warm.

### Easy Banana Bread

1 package 18.25 ounce (517g)              ½ cup (125 ml) buttermilk  
     white cake mix                              ⅓ cup (80 ml) vegetable oil  
 1 cup (250 ml) ripe banana                3 eggs, beaten  
     (about 2 medium), mashed              1 cup (250 ml) chopped nuts, (optional)

To preheat the oven, set Temperature Control Knob to 350°F (180°C); set Function Knob to **BAKE/TOAST**. Grease bottom and sides of two 9x5x3 inch (23 x 13 x 6 cm) loaf pans with shortening; lightly flour.

In a large bowl, beat cake mix, bananas, buttermilk, oil, and eggs with electric mixer on medium speed for 2 minutes. Stir in nuts if desired. Pour into prepared pans. Bake for 40 minutes or until toothpick inserted into the center comes out clean. Allow cake to cool 10 minutes before removing from pan. Repeat for second loaf. **Makes 16 servings.**

### Cranberry Pork Roast with Sweet Potatoes

3 sweet potatoes, peeled and quartered      ½ cup (125 ml) sugar  
 1 2-pound (900 g) boneless pork roast      ¼ teaspoon (1.25 ml) ground cloves  
 14-ounce (400 g) can whole berry              Salt to taste  
     cranberry sauce

To preheat the oven, set Temperature Control Knob to 400°F (205°C); set Function Knob to **BAKE/TOAST**.

Place sweet potatoes in the bottom of roasting pan. Wash roast and place on top of the potatoes. In a medium bowl, mash cranberry sauce; stir in sugar, cloves, and salt. Pour over roast and potatoes. Bake until thermometer inserted in the center of the roast registers 160°F (71°C), 45 to 60 minutes. **Makes 4 servings.**

## *Convection Recipes* (for select models)

### **Pumpkin Cookies**

1 package 18.25 ounce (517g) white cake mix      ¼ cup (60 ml) butter or margarine, softened  
 2 teaspoons (10 ml) pumpkin pie spice      ½ cup (125 ml) raisins, (optional)  
 1 cup (250 ml) canned pumpkin

To preheat the oven, set Temperature Control Knob to 375°F (190°C); set Function Knob to **CONVECTION**. Lightly spray cookie sheet with nonstick cooking spray.

Beat cake mix, pumpkin pie spice, pumpkin, and butter with electric mixer on medium speed for 2 minutes. Stir in raisins, (optional). Scoop out 1 tablespoon (15 ml) of dough, and place on prepared cookie sheet. Repeat with the remaining dough, placing scoops 2 inches (5 cm) apart. Bake for 10 to 12 minutes or until lightly browned around edges. Allow to sit on cookie sheet and cool 1 to 2 minutes before transferring to cooling rack. **Makes 24 servings.**

### **Double Corn Bread**

¼ cup (60 ml) milk      1 8-ounce (225 g) can corn, cream style  
 1 egg      2 cups (500 ml) self-rising corn meal mix  
 ¼ cup (60 ml) vegetable oil

To preheat the oven, set Temperature Control Knob to 425°F (220°C); set Function Knob to **CONVECTION**. Grease a 6-muffin tin.

In a large bowl, stir egg, milk, and oil together. Add cream corn and cornmeal mix; stir until cornmeal is just dampened. Pour batter into muffin tins. Bake for 20 minutes or until golden brown. **Makes 6 servings.**

### **Herb Roasted Turkey Breast**

1 5.5 pound (2475 g) turkey breast, fresh or frozen, thawed      ½ teaspoon (2.5 ml) garlic, minced  
 1 teaspoon (5 ml) ground thyme      ½ cup (125 ml) butter, softened  
 1 teaspoon (5 ml) rosemary leaves, crushed      Salt and pepper to taste

To preheat the oven, set Temperature Control Knob to 400°F (205°C); set Function Knob to **CONVECTION**.

Assemble broiler rack in back pan and spray with nonstick cooking spray. Wash turkey breast and pat dry with paper towel. Place turkey breast on rack breast side up. In small bowl mix thyme, rosemary, garlic, butter, salt, and pepper; rub mixture evenly on turkey breast. Roast turkey breast 2½ hours or until internal temperature reaches 180°F (82°C). Remove from oven, cover and allow to rest for 15 minutes before carving. **Makes 8 servings.**

# *Broiling Recipes*

## **Parmesan Baked Fish**

1 pound (450 g) fresh or frozen fish fillets such as cod, salmon, or orange roughy  
1 tablespoon (15 ml) olive oil  
1 tablespoon (15 ml) lemon juice  
2 tablespoons (30 ml) Parmesan cheese, grated  
½ teaspoon (2.5 ml) tarragon  
½ teaspoon (2.5 ml) paprika  
Salt and pepper to taste

Follow broiling instructions on page 7.

Thaw fish if frozen. Spray baking pan with nonstick spray coating; set aside. Rinse fish and pat dry with paper towel. In a sealable plastic bag add olive oil and lemon juice. In another bag, add cheese, tarragon, paprika, salt, and pepper; shake to mix. Place fish in oil and lemon juice bag and shake to coat all sides. Remove fish and place in dry mixture bag; shake to coat. Remove fish and place on the previously prepared pan.

Set Temperature Control Knob to **BROIL/TOAST**; set Function Knob to **BROIL**. Broil fish for 15 to 18 minutes per side (depending on thickness). **Makes 4 servings.**

## **Broiled Beef**

2 pounds (900 g) London broil, round steak or desired cut  
8 ounces (225 g) whole mushrooms  
1 large onion

### **Marinade (can be substituted with prepared marinade):**

1 clove garlic, minced  
½ cup (125 ml) soy sauce  
2 tablespoons (30 ml) vegetable oil  
1 tablespoon (15 ml) vinegar  
2 tablespoons (30 ml) ketchup  
1 teaspoon (5 ml) dried oregano  
1 teaspoon (5 ml) ground black pepper

Follow broiling instructions on page 7.

In a small bowl, mix garlic, soy sauce, oil, vinegar, ketchup, oregano, and black pepper. Pierce meat generously with a fork on both sides. Pour marinade over meat.

Spray baking pan with nonstick spray coating; set aside. Peel and quarter onions, wash mushrooms and place in the prepared baking pan. Place broiling rack over vegetables in baking pan. Remove meat from marinade and place on rack. Set Temperature Control Knob to **BROIL/TOAST**; set Function Knob to **BROIL**. Broil for 15 to 18 minutes per side (depending on thickness). **Makes 4 servings.**

# Customer Service

If you have a question about your appliance, call our toll-free customer service number. Before calling, please note the model, type, and series numbers and fill in that information below. These numbers can be found on the bottom of your appliance. This information will help us answer your question much more quickly.

**MODEL:** \_\_\_\_\_ **TYPE :** \_\_\_\_\_ **SERIES:** \_\_\_\_\_

**This warranty applies to products purchased in the U.S. or Canada.**

## LIMITED WARRANTY

This product is warranted to be free from defects in material and workmanship for a period of one (1) year for Hamilton Beach products or one hundred eighty (180) days for Proctor-Silex and Traditions products from the date of original purchase, except as noted below. During this period, we will repair or replace this product, at our option, at no cost. THE FOREGOING WARRANTY IS IN LIEU OF ANY OTHER WARRANTY OR CONDITION, WHETHER EXPRESS OR IMPLIED, WRITTEN OR ORAL INCLUDING, WITHOUT LIMITATION, ANY STATUTORY WARRANTY OR CONDITION OF MERCHANTABILITY OR FITNESS FOR A PARTICULAR PURPOSE. ANY LIABILITY IS EXPRESSLY LIMITED TO AN AMOUNT EQUAL TO THE PURCHASE PRICE PAID, AND ALL CLAIMS FOR SPECIAL, INCIDENTAL AND CONSEQUENTIAL DAMAGES ARE HEREBY EXCLUDED.

There is no warranty with respect to the following, which may be supplied with this product, including without limitation: glass parts, glass containers, cutter/strainers, blades, seals, gaskets, clutches, motor brushes, and/or agitators, etc. This warranty extends only to the original consumer purchaser and does not cover a defect resulting from abuse, misuse, neglect including failure to clean product regularly in accordance with manufacturer's instructions, use for commercial purposes, or any use not in conformity with the printed directions. This warranty gives you specific legal rights, and you may also have other legal rights which vary from state to state, or province to province. Some states or provinces do not allow limitations on implied warranties or special, incidental or consequential damages, so the foregoing limitations may not apply to you.

If you have a claim under this warranty, DO NOT RETURN THE APPLIANCE TO THE STORE! Please call our CUSTOMER SERVICE NUMBER. (For faster service please have model, series, and type numbers ready for operator to assist you.)

### CUSTOMER SERVICE NUMBERS

In the U.S. 1-800-851-8900

In Canada 1-800-267-2826

[hamiltonbeach.com](http://hamiltonbeach.com) or [proctorsilex.com](http://proctorsilex.com)

**KEEP THESE NUMBERS FOR FUTURE REFERENCE!**

## **⚠ AVERTISSEMENT**

### **Risque d'incendie**

- Ne pas faire marcher l'appareil sans surveillance en mode Toast (pain grillé).
- Ne pas utiliser l'appareil avec des sacs de cuisson au four.
- Ne pas stocker de matériels autres que les accessoires recommandés dans ce four lorsqu'il ne sert pas.
- Toujours compter 1 po (2,5 cm) entre les aliments et l'élément chauffant.
- Ne pas couvrir l'appareil et ne pas l'utiliser à proximité de rideaux, murs, placards, produits en papier ou en plastique, serviettes en tissu, etc. Garder à 2 à 4 po (5 à 10 cm) du mur ou de tout objet du comptoir.
- Une étroite surveillance doit être exercée lorsque l'appareil est utilisé par des enfants ou à proximité de ceux-ci.
- Toujours débrancher le four grille-pain lorsqu'il ne sert pas.
- Un nettoyage régulier permet de réduire le risque d'incendie.
- Ne pas ouvrir la porte du four si le contenu s'enflamme. Débrancher le four et laisser le contenu s'éteindre et refroidir avant d'ouvrir la porte.
- Ne pas suivre ces instructions peut entraîner un incendie, voire la mort.

### **Risque d'électrocution**

- N'immergez pas cet appareil dans l'eau ou tout autre liquide.
- Cet appareil est muni d'une fiche polarisée (une lame plus large) qui réduit les risques d'électrocution. La fiche s'introduit dans la prise polarisée dans un sens seulement. Ne nuisez pas à la conception sécuritaire de la fiche en la modifiant de quelque façon que ce soit ou en utilisant un adaptateur. Placez la fiche dans l'autre sens si elle refuse de s'introduire dans la prise. S'il est encore impossible d'insérer la fiche, demandez à un électricien de remplacer la prise électrique.

## **PRÉCAUTIONS IMPORTANTES**

Lors de l'utilisation d'appareils électroménagers, des précautions fondamentales de sécurité doivent toujours être observées, y compris ce qui suit :

1. Lire toutes les instructions.
2. Ne pas toucher les surfaces chaudes. Utiliser les poignées ou boutons.
3. Pour protéger contre le risque de choc électrique, ne pas immerger le cordon, la fiche ou le four grille-pain dans l'eau ou autre liquide.
4. Une bonne surveillance est nécessaire pour tout appareil utilisé par des enfants ou près d'eux.
5. Débrancher l'appareil de la prise de courant électrique lorsqu'il n'est pas utilisé et avant un nettoyage. Le laisser refroidir avant le nettoyage et avant d'y placer ou d'y enlever des pièces.
6. Ne pas faire fonctionner un appareil électroménager avec un cordon ou une fiche endommagé(e), ou lorsque l'appareil ne fonctionne pas bien ou a été échappé ou endommagé d'une manière quelconque. Composer notre numéro sans frais d'assistance à la clientèle pour des renseignements concernant l'examen, la réparation ou l'ajustement.
7. L'utilisation d'accessoires non recommandés par le fabricant de l'appareil peut causer des blessures.
8. Ne pas utiliser à l'extérieur.
9. Ne pas laisser le cordon pendre du bord d'une table ou d'un comptoir, ou toucher des surfaces chaudes, y compris la cuisinière.
10. Ne pas placer l'appareil sur ou près d'un brûleur chaud à gaz ou d'un élément électrique, ou dans un four chauffé.

11. Une précaution extrême doit être employée lors du déplacement d'un appareil électroménager contenant de l'huile chaude ou autre liquide chaud. Toujours s'assurer de laisser refroidir l'huile ou tout autre liquide chaud avant de bouger l'appareil.
12. Pour débrancher l'appareil, tourner tous les réglages à OFF (arrêt), ensuite retirer la fiche de la prise de courant murale.
13. Une prudence extrême s'impose lors de l'enlèvement du plateau ou de la vidange de graisse chaude.
14. Ne pas nettoyer avec des tampons à récurer en métal. Des pièces peuvent se détacher du tampon et toucher les pièces électriques, créant un risque de choc électrique.
15. Des aliments ou des ustensiles de métal de grosseur excessive ne doivent pas être insérés dans un four grille-pain, car ils peuvent créer un incendie ou un risque de choc électrique.
16. Un incendie peut survenir si le four grille-pain est recouvert, touche ou est près de matériaux inflammables, y compris rideaux, tentures, murs et autres articles semblables, lorsqu'il fonctionne. Ne pas remiser des articles sur le dessus de l'appareil lorsqu'il est utilisé ou avant que l'appareil refroidisse.
17. Une grande précaution doit être prise lors de l'utilisation de contenants construits en matériaux autres que le métal ou le verre.
18. Ne placer aucun matériau autre que les accessoires recommandés par le fabricant de l'appareil, dans ce four lorsqu'il n'est pas utilisé.
19. Ne placer aucun des matériaux suivants dans le four : papier, carton, plastique et articles semblables.
20. Ne pas couvrir le plateau à miettes ou toute pièce du four avec du papier métallique. Ceci causerait un surchauffage du four.
21. Pour éteindre le four ou arrêter un cycle de pain grillé, tourner la minuterie à la position OFF (arrêt).
22. Ne pas placer les yeux ou le visage près de la porte en verre trempé, au cas où le verre trempé se briserait.
23. Ne pas utiliser cet appareil pour tout autre usage que celui recommandé.
24. Avant d'utiliser cet appareil, l'éloigner de 2 à 4 pouces (5 à 10 cm) d'un mur ou de tout autre objet sur le comptoir. Enlever tout objet qui peut avoir été placé sur l'appareil. Ne pas utiliser cet appareil sur des surfaces où la chaleur pourrait causer un problème.
25. Si la fiche devient chaude, veuillez faire venir un électricien qualifié.
26. La porte du four grille-pain n'est pas une tablette. Ne rien placer sur la porte.
27. Utiliser une prudence extrême lors du déplacement de la grille chargée ou lors de l'addition d'aliments sur la grille.

## CONSERVEZ CES INSTRUCTIONS !

### Autres renseignements de sécurité aux consommateurs

Cet appareil est destiné à l'utilisation domestique seulement.

La longueur du cordon de cet appareil a été choisie de façon à ce que l'on ne risque pas de trébucher dessus. Si un cordon plus long est nécessaire, utiliser une rallonge appropriée. Le calibrage de la rallonge doit être le même que celui de l'appareil ou supérieur. Lorsqu'on utilise une rallonge, s'assurer qu'elle ne traverse pas la zone de travail, que des enfants ne puissent pas tirer dessus par inadvertance et qu'on ne puisse pas trébucher dessus.

Cet appareil est doté d'une porte en verre trempé. Le verre trempé est quatre fois plus robuste que le verre ordinaire et plus résistant aux bris. Le verre trempé peut se briser, mais il se brise en pièces sans bords coupants. Il faut prendre soin d'éviter d'égratigner la surface de la porte ou

d'endommager le contour. Si la porte a une égratignure ou un bris, composer notre numéro sans frais d'assistance à la clientèle. Toujours débrancher l'appareil de sa prise d'alimentation électrique quand il n'est pas utilisé.

Lorsque des aliments lourds sont sur la grille du four, ne pas sortir la grille du four plus de la moitié. Pour arroser ou vérifier la cuisson, sortir les aliments du four et placer le plat sur une surface de comptoir résistante à la chaleur ou sur un dessous de plat.

La porte du four grille-pain n'est pas une tablette. Ne rien placer sur la porte.

Ne pas placer la lèchefrite directement sur les éléments chauffants.

Pour éviter une surcharge des circuits électriques, ne pas faire fonctionner d'autre appareil électroménager de haute tension sur le même circuit que le four grille-pain.

## Avant la première utilisation

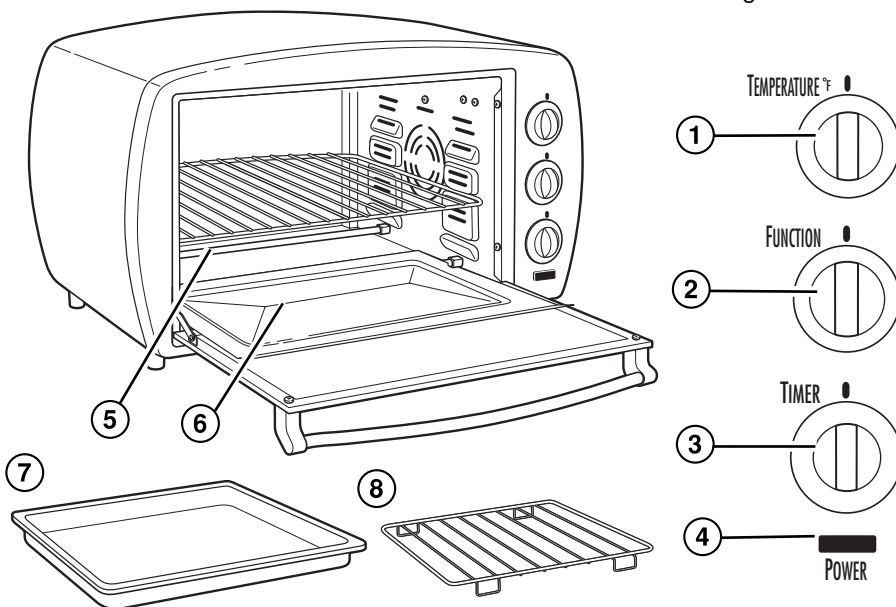
La plupart des appareils électroménagers à élément chauffant dégagent une odeur et/ou de la fumée lors de la première utilisation. Brancher le four grille-pain dans une prise de courant. Tourner la commande du four à 450°F. Régler le sélecteur du degré de cuisson des rôties / la minuterie du four

à ON (marche). Chauffer à cette température pendant 10 minutes. L'odeur devrait disparaître après ce préchauffage initial.

Enlever le plat à cuisson, la grille de cuisson au grill et la grille du four. Laver à l'eau chaude savonneuse. Rincer et sécher.

## Pièces et caractéristiques

1. Sélecteur de température
2. Bouton de réglage de la fonction
3. Commande ON/OFF (marche/arrêt) de la minuterie
4. Témoin d'alimentation
5. Grilles du four (2 disponibles avec certains modèles)
6. Plateau coulissant
7. Moule à cuisson
8. Grille de cuisson au grill



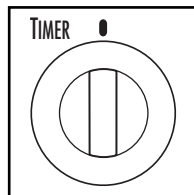
## Utilisation du four

### Pour griller

**IMPORTANT!** Le bouton de fonction doit se trouver en position TOAST (grille-pain) et le bouton de température se trouver en position Broil/Toast (Gril/Grille-pain) pour permettre à l'appareil de bien griller.

1. Placer la grille à cuisson en position centrale et mettre les tranches de pain.

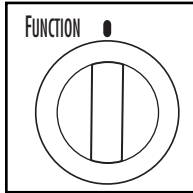
2. Régler le bouton de température en position BROIL/TOAST (gril/pain grillé).



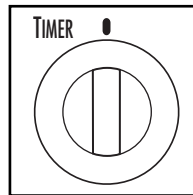


## Pour griller (suite)

3. Régler le bouton de fonction en position TOAST ou BAKE/TOAST.



4. Régler le bouton de minuterie à la couleur de pain grillé désiré. Pour bien régler la minuterie, toujours tourner en dépassant l'indication de 10 minutes, puis revenir à l'emplacement du symbole de couleur qui représente la couleur désirée de pain grillé. Cela permettra à la minuterie de bien fonctionner en toute sécurité.



**NOTE :** À cause de la hauteur et de la profondeur du four, la durée de grillade est plus longue que dans un four ou un grille-pain plus petit.

5. Une cloche sonnera à la fin du cycle de grillade. Pour arrêter de griller avant la fin du cycle, tourner le bouton de minuterie en position OFF (arrêt).
6. Après avoir grillé, tourner le bouton en position OFF (arrêt). Débrancher de la prise d'alimentation électrique.

## ⚠ AVERTISSEMENT

### Risque d'incendie

Ne jamais laisser le four sans surveillance durant la cuisson, que ce soit en mode Broil (gril) ou Toast (pain grillé).

## Conseils pour griller les aliments

Ce four conserve très bien la chaleur. Quand on fait griller plus d'une série de rôties, le sélecteur de degré de brunissage devrait être réglé à une nuance plus claire pour la deuxième série afin d'obtenir la même nuance que pour la première série.

- **Pour faire griller le pain**, les placer à une distance de 1½ po (4 cm) du bord avant de la grille de cuisson.
- **Pour faire griller des bagels**, placer la grille du four à la position élevée et déposer les bagels le côté coupé vers le haut. Ceci fera griller davantage le côté coupé que l'extérieur du bagel. Régler le sélecteur de degré de brunissage à la position MEDIUM (moyen).
- **Pour faire griller des muffins anglais**, placer la grille du four à la position élevée et déposer les muffins anglais le côté coupé vers le haut. Régler le sélecteur de degré de brunissage au réglage Dark (foncé).
- **Pour faire griller des pâtisseries ordinaires, congelées ou des gaufres**, placer la grille du four à la

position moyen. Sélectionner un degré de brunissage léger et faire griller directement sur la grille du four. Si la pâtisserie a un glaçage, utiliser le plat à cuisson.

- Lorsqu'on utilise le four pour faire griller, une **condensation** peut se former sur la porte du four. Un four grille-pain est fermé, de sorte que l'humidité est lente à s'échapper. Après l'utilisation, essuyer la porte pour la sécher et en faciliter le nettoyage.
- Quand la sonnerie se fait entendre à la fin du programme, **enlever immédiatement le pain grillé**, sinon la chaleur qui reste dans le four grille-pain continuera de faire griller et de sécher les aliments.
- Le **nombre de tranches de pain**, la **fraîcheur du pain** et la **température de départ** du four affecteront le degré de brunissage. Si le four est déjà chaud, sélectionner un degré de brunissage plus bas que normal. Ajuster le sélecteur de degré de brunissage pour atteindre la nuance désirée.

## Cuisson au four et cuisine traditionnelle

1. Placer la grille au centre ou au bas du four selon les aliments à cuire.
2. Tourner le sélecteur de température à la température désirée.
3. Positionner le bouton de réglage de la fonction sur BAKE ou BAKE/TOAST.
4. Pour bien régler la minuterie, toujours tourner en dépassant l'indication de 10 minutes, puis revenir à la durée désirée. Laisser le four pré-chauffer pendant 5 minutes.
5. Mettre les aliments à cuire dans le four.
6. Réglez la minuterie à la durée désirée ou à Stay On (rester en marche). Si vous cuisez moins de 10 minutes, faites tourner la minuterie en dépassant 10 minutes, puis revenez à la durée de cuisson désirée.
7. Une fois la cuisson terminée, éteindre le four. Débrancher de la prise de courant.

### Conseils pour chauffer et réchauffer

- Ne pas envelopper complètement les aliments dans du papier d'aluminium. Le papier d'aluminium peut arrêter le transfert de la chaleur et donc ralentir la cuisson.
- Pour réchauffer des pains mollets ou des biscuits, les placer sur le moule à cuisson et réchauffer à 300°F (150°C) pendant 10 minutes.
- Réchauffer les restes de rôtis ou les plats en cocotte à 350°F (180°C) pendant 20 à 30 minutes ou jusqu'à ce qu'ils soient complètement chauds.

### Conseils pour la cuisson au four

- La méthode de cuisson par convection (sur select modèles) est 30 % plus rapide que la méthode de cuisson traditionnelle. Lors de la première utilisation, vérifier s'il faut ajuster la durée de cuisson ou la température.
- La durée de cuisson variera considérablement selon the density of food. Faire cuire jusqu'à ce qu'un thermomètre inséré au centre de la viande indique le degré de cuisson désiré.

## AVERTISSEMENT

### Risque d'incendie

- Ne jamais laisser le four sans surveillance pendant son fonctionnement.
- Garder 1 po (2,5 cm) entre l'aliment et l'élément chauffant.
- Ne pas utiliser de sacs pour cuisson au four.
- Ne pas chauffer les aliments dans des contenants en plastique.
- Respecter les instructions des fabricants de produits alimentaires.

### Dimensions des plats de cuisson

Les plats de cuisson énumérés ci-dessous devraient convenir aux dimensions de ce four. Avant de préparer une recette, placer le plat de cuisson désiré dans le four pour s'assurer qu'il n'est pas trop grand.

Moule à muffins à 6 godets

Moule à pain de 20x10 cm (2) (8x4 po)

Moule à pain de 23x13 cm (9x5 po)

Plat de cuisson rond ou carré de 20 cm (2)

La plupart des cocottes de 1 ou 1½ L

### Conseils pour la pizza

- **Pour réchauffer la pizza**, ne jamais la placer au four avec sa boîte. Les pointes de pizza doivent être réchauffées dans le plat de cuisson avec la grille en position moyenne.
- **Pour une croûte croustillante**, cuire la pizza surgelée directement sur la grille de cuisson en position moyenne.
- **Pour une croûte moelleuse**, cuisez la pizza congelée en recouvrant la grille du four de papier aluminium en position la plus basse.
- **Pour une pizza faite maison** (ou toute pâte molle), cuire dans le plat de cuisson avec la grille en position basse.

## Cuisson au gril

1. Placer la grille du four au centre ou dans le haut du four. Disposer les aliments sur la grille de cuisson au gril dans le moule à cuisson puis mettre dans le four. Ne pas préchauffer le four.
2. Positionner le sélecteur de température sur BROIL/TOAST.
3. Positionner le bouton de réglage de la fonction sur BROIL.
4. Pour bien régler la minuterie, toujours tourner en dépassant l'indication de 10 minutes, puis revenir à la durée désirée.
5. À la mi-cuisson, ou lorsque les aliments ont brunis, retourner les aliments pour les faire cuire et brunir de l'autre côté.
6. Une fois la cuisson terminée, éteindre le four. Débrancher de la prise de courant.

### **AVERTISSEMENT**

#### **Risque d'incendie**

Ne jamais laisser le four sans surveillance durant la cuisson, que ce soit en mode Broil (gril) ou Toast (pain grillé).

### Conseils pour la cuisson au gril

- Pour obtenir de meilleurs résultats, ne pas préchauffer le four avant de faire cuire les aliments au gril.
- Toujours laisser au moins un pouce d'espace entre les aliments et l'élément de cuisson.
- Mettre la grille du four en haut du four pour faire griller plus rapidement. Si les aliments nécessitent une longue cuisson au gril, comme le poulet, mettre la grille du four au bas du four.

### Guide de cuisson au gril

ALIMENTS	DURÉE APPROXIMATIVE DE CUISSON
Hamburgers	20 minutes
Hot-dogs	15 minutes
Chapelets de saucisses ou galettes de viande (percer les saucisses avant de les faire cuire)	15 à 20 minutes
Poisson	15 minutes

Les durées de cuisson énumérées ci-dessus sont des durées moyennes et devraient être ajustées selon les préférences individuelles. Retourner les aliments à la mi-cuisson.

# Caractéristiques facultatives

(disponibles sur certains modèles)

## Cuisson à convection

**REMARQUE :** la cuisson de la plupart des aliments est 25 % plus rapide avec la cuisson à convection qu'avec la méthode de cuisson traditionnelle.

1. Placer la grille au centre ou au bas du four selon les aliments à cuire.
2. Tourner le sélecteur de température à la température désirée.
3. Positionner le bouton de réglage de la fonction sur CONVECTION.
4. Pour bien régler la minuterie, faites toujours tourner en dépassant 10 minutes, puis revenez à la durée de cuisson désirée.
5. Mettre les aliments à cuire dans le four.
6. Programmer la minuterie entre 5 et 15 minutes ou la régler sur Stay on (Rester en marche).
7. Une fois la cuisson terminée, éteindre le four. Débrancher de la prise de courant.

### **AVERTISSEMENT**

#### Risque d'incendie

Ne jamais laisser le four sans surveillance durant la cuisson, que ce soit en mode Broil (gril) ou Toast (pain grillé).

## Nettoyage du four

Le plateau coulissant du four devrait être nettoyé régulièrement pour assurer d'excellents résultats et garder le four en bon état plus longtemps.

1. Débrancher le four et le laisser refroidir.
2. Nettoyer la grille du four et le moule à cuisson dans de l'eau chaude et savonneuse. Rincer et essuyer.
3. Pour nettoyer le plateau à miettes, le faire coulisser du four et l'essuyer avec un linge humide. Le faire coulisser à nouveau pour le remettre en position.
4. Pour nettoyer les parois intérieures et extérieures du four, les essuyer avec un linge humide. Ne pas utiliser de produits abrasifs. Ne pas utiliser de tampons à récurer en métal. Les tampons à récurer en métal s'effilochent et des morceaux peuvent se déposer sur les parties électriques du four et ainsi poser un risque de choc électrique.

## Dépannage

### Le four ne chauffe pas.

Vérifier que la prise de courant fonctionne et que le four est bien branché. Ensuite tourner la commande du four à 350°F (180°C), puis tourner le bouton de réglage sur BAKE ou BAKE/TOAST et la minuterie sur Stay On (Rester en marche).

### Une odeur et de la fumée s'échappent du four.

La fumée et l'odeur sont normales lors de la première utilisation de la plupart des appareils électroménagers à élément chauffant. Cela ne se reproduira plus après la période de chauffage initial.

### Certains aliments brûlent et d'autres ne sont pas cuits.

Utiliser la position de la grille du four pour centrer l'aliment dans le four. Régler la température du four ou la durée de cuisson pour de meilleurs résultats avec les recettes.

# Recettes à cuisson au four

## Poulet rôti

Pour rôtir un poulet entier dans le four, ce poulet doit être d'un poids égal ou inférieur à 5 livres. Rôtir le poulet à 160°C (325°F) pendant 2½ heures ou à une température interne de 82°C (180°F).

## Pommes de terre au four

4 pommes de terre moyennes, d'environ 10 onces chaque

Pour préchauffer le four, régler le bouton de commande de la température sur 425°F (220°C); régler le bouton de fonction sur **BAKE/TOAST**.

Laver les pommes de terre, puis percer la peau à la fourchette. Mettre les pommes de terre dans un plat de cuisson et mettre au four. Faire cuire pendant 1 heure ou jusqu'à ce qu'elles soient cuites. Ne pas les envelopper de papier aluminium car ceci peut augmenter la durée de cuisson.

## Trempepette piquante mexicaine aux fèves

1 boîte de 15 onces (425 g) de fèves noires bien égouttées	⅓ tasse (80 ml) de salsa
1 c. à thé (5 ml) de sauce piquante	4 onces (115 g) de fromage Monterey Jack, râpé
⅓ tasse (80 ml) de crème sure	

Pour préchauffer le four, régler le bouton de commande de la température sur 350°F (180°C); régler le bouton de fonction sur **BAKE/TOAST**.

Faire une purée avec les fèves. Ajouter la sauce piquante, la crème sure, la salsa et la moitié du fromage. Verser dans une cocotte peu profonde. Saupoudrer du reste du fromage. Faire cuire à 350° F pendant environ 10 minutes, ou jusqu'à formation de bulles. Servir avec des croustilles de maïs. **Donne 3 tasses.**

## Mini-pains de viande

1 lb (450 g) de bœuf maigre haché	1 c. à table (15 ml) de persil frais, finement haché
1 petit oignon, finement haché	¼ c. à thé (1,25 ml) de sel
¾ tasse (175 ml) de miettes de pain frais	¼ c. à thé (1,25 ml) de poivre
1 œuf battu	
1 c. à table (15 ml) de fromage parmesan râpé	

Pour préchauffer le four, régler le bouton de commande de la température sur 350°F (180°C); régler le bouton de fonction sur **BAKE/TOAST**.

Combiner tous les ingrédients et bien mélanger. Répartir le mélange dans un moule à muffins à 6 godets. Faire cuire pendant 30 minutes ou jusqu'à cuisson complète. **Donne 4 à 6 portions.**

## Pizza 5 minutes

Muffins anglais, coupés en deux et légèrement grillés	Fromage mozzarella râpé
Sauce à pizza ou spaghetti	Tranches de pepperoni

Pour préchauffer le four, régler le bouton de commande de la température sur 450°F (230°C); régler le bouton de fonction sur **BAKE/TOAST**. Mettre les moitiés de muffins dans le plat de cuisson, côté coupé vers le haut. Étaler de la sauce sur chaque muffin. Saupoudrer de fromage puis ajouter le pepperoni. Mettre le plat au four et faire cuire pendant environ 5 minutes ou jusqu'à ce que le fromage fonde.

### Jambon glacé aux framboises et au poivre

1 jambon cuit de 9 à 10 livres (4 à 4,5 kg), non désossé, tranché en spirale  
 1 bocal de 12 onces (350 g) de conserve de framboises  
 2 c. à table (30 mL) de vinaigre blanc  
 1 c. à table (15 mL) d'ail, émincé  
 1 c. à table (15 mL) de poivre noir  
 2 c. à table (30 mL) de liqueur de framboise, facultatif

Pour préchauffer le four, régler le bouton de commande de la température sur 350°F (180°C); régler le bouton de fonction sur **BAKE/TOAST**.

Placer la grille à la position la plus basse. Mettre le jambon sur une grille dans un plat de cuisson au four. Préparer et faire chauffer le jambon en suivant les instructions sur l'emballage. Dans une casserole, mélanger les framboises en conserve, le vinaigre blanc, l'ail, le poivre noir et la liqueur de framboise (facultative). Faire cuire sur feu moyen jusqu'à ce que des petites bulles apparaissent au bord. Appliquer la moitié du glaçage sur le jambon 30 minutes avant la fin de la cuisson. Faire cuire pendant 30 minutes de plus. Faire réchauffer le glaçage qui reste. Retirer le jambon glacé du four. Verser le reste du glaçage à la cuillère sur le jambon juste avant de le servir. **Donne 20 portions.**

### Gâteau moelleux

½ tasse (125 mL) bien tassée de cassonade  
 ½ tasse (125 mL) de sucre blanc  
 ⅓ tasse (80 mL) de pacanes en petits morceaux (facultatif)  
 2 c. à thé (10 mL) de cannelle en poudre  
 1 sachet de 18,25 onces (517 g) de mélange à gâteau jaune  
 ⅔ tasse (150 mL) d'huile végétale  
 4 œufs  
 8 onces (225 g) de yaourt nature

Pour préchauffer le four, régler le bouton de commande de la température sur 350°F (180°C); régler le bouton de fonction sur **BAKE/TOAST**.

Enduire de shortening le fond et les côtés d'un moule à cheminée; fariner légèrement. Dans un petit bol, mélanger la cassonade, le sucre blanc, les pacanes (facultatif) et la cannelle jusqu'à ce que le tout soit bien mélangé; mettre de côté. Dans un grand bol, battre le mélange à gâteau, l'huile, les oeufs et le yaourt au batteur électrique à vitesse moyenne pendant 2 minutes. Verser la moitié de la pâte dans le moule. Verser le mélange à la cannelle sur la pâte de façon uniforme. Verser le reste de la pâte sur la couche de mélange à la cannelle. Faire cuire pendant environ 55 minutes ou jusqu'à ce qu'un cure-dents inséré au centre en sorte propre. Laisser le gâteau refroidir pendant 10 minutes et le retourner sur une assiette.

### Glaçage pour gâteau moelleux

1 tasse (250 mL) de sucre à glacer  
 2 c. à thé (10 mL) de lait  
 ½ c. à thé (2,5 mL) d'extrait de vanille ou autre extrait

Dans un petit bol, mélanger le sucre à glacer, le lait et l'extrait jusqu'à ce que le mélange soit homogène. Piquer le dessus du gâteau à la fourchette et le napper de glaçage lorsque le gâteau est encore tiède.

### Pain à la banane facile à faire

1 sachet de 18,25 onces (517 g) de mélange à gâteau blanc  
 1 tasse (250 mL) de bananes bien mûres (2 moyennes), écrasées  
 ½ tasse (125 mL) de babeurre  
 ⅓ tasse (80 mL) d'huile végétale  
 3 oeufs, battus  
 1 tasse (250 mL) de noix concassées (facultatif)

Pour préchauffer le four, régler le bouton de commande de la température sur 350°F (180°C); régler le bouton de fonction sur **BAKE/TOAST**. Beurrer et fariner le fond et les bords de deux moules à pain de 9 x 5 x 3 po (23 x 13 x 6 cm). Battre le mélange à gâteau, les bananes, le babeurre, l'huile et les oeufs dans un grand bol au batteur électrique à vitesse moyenne pendant 2 minutes. Ajouter les noix si désiré. Verser dans les moules préparés. Faire cuire pendant 40 minutes ou jusqu'à ce qu'un cure-dents inséré au centre ressorte propre. Laisser le gâteau refroidir pendant 10 minutes avant de le démouler. Répéter pour le deuxième pain. **Donne 16 portions.**

## ***Recettes à cuisson par convection***

*(pour select modèles)*

### **Biscuits à la citrouille**

- |   |  |
|---|--|
| 1 sachet de 18,25 onces (517 g) de mélange à gâteau blanc | ¼ tasse (60 mL) de beurre ou margarine, ramolli(e) |
| 2 c. à thé (10 mL) d'épices pour tarte à la citrouille    | ½ tasse (125 mL) de raisins secs (facultatif)      |
| 1 tasse (250 mL) de citrouille en boîte                   |  |

Pour préchauffer le four, régler le bouton de commande de la température sur 375°F (190°C); régler le bouton de fonction sur **CONVECTION** (cuisson par convection). Vaporiser légèrement la plaque à biscuits de produit anti-adhésif de cuisson.

Battre le mélange à gâteau, les épices pour tarte à la citrouille, la citrouille et le beurre au batteur électrique à vitesse moyenne pendant 2 minutes. Ajouter les raisins secs (facultatif). Mettre une cuillerée à table (15 mL) de pâte sur la plaque à biscuits préparée. Répéter avec le reste de la pâte, en laissant 2 pouces (5 cm) entre les cuillerées. Faire cuire pendant 10 à 12 minutes ou jusqu'à ce que les biscuits soient légèrement dorés sur le bord. Laisser les biscuits refroidir sur la plaque pendant 1 à 2 minutes avant de les déposer sur une grille à refroidir.

### **Pain de maïs double**

- |                                  |  |
|----------------------------------|--|
| ¼ tasse (60 mL) de lait          | 1 boîte de 8 onces (225 g) de maïs, style crème                        |
| 1 œuf                            | 2 tasses (500 mL) de mélange de semoule de maïs avec levure incorporée |
| ¼ tasse (60 mL) d'huile végétale |  |

Pour préchauffer le four, régler le bouton de commande de la température sur 425°F (220°C); régler le bouton de fonction sur **CONVECTION** (cuisson par convection). Beurrer un moule à muffins à 6 godets.

Dans un grand bol, mélanger l'œuf, le lait et l'huile. Ajouter le maïs en crème et la semoule de maïs; remuer jusqu'à ce que la semoule soit humidifiée. Verser la pâte dans les moules à muffins. Faire cuire pendant 20 minutes, ou jusqu'à ce que le couteau inséré au centre en sorte propre. **Donne 6 portions.**

### **Poitrine de dinde rôtie aux herbes**

- |   |                                     |
|---|-------------------------------------|
| 7 livres (3150 g) de poitrine de dinde, fraîche ou surgelée, décongelée | ½ c. à thé (2,5 mL) d'ail, émincé   |
| 1 c. à thé (5 mL) de thym en poudre                                     | ½ tasse (125 mL) de beurre, ramolli |
| 1 c. à thé (5 mL) de feuilles de romarin, écrasées                      | Sel et poivre au goût               |

Pour préchauffer le four, régler le bouton de commande de la température sur 400°F (205°C); régler le bouton de fonction sur **CONVECTION** (cuisson par convection).

Mettre la grille de la lèchefrite dans le moule et vaporiser de produit anti-adhésif pour cuisson. Laver la poitrine de dinde et l'essuyer à l'essuie-tout. Mettre la dinde sur la grille, côté poitrine vers le haut. Dans un petit bol, mélanger le thym, le romarin, l'ail, le sel, le poivre et le beurre; frotter le mélange uniformément sur la poitrine de dinde. Faire rôtir la dinde pendant 2 heures ½ ou jusqu'à ce que la température interne atteigne 180°F (82°C). Retirer du four, couvrir et laisser reposer pendant 15 minutes avant de découper. **Donne 8 portions.**

## *Recettes à cuisson au grill*

### **Poisson au parmesan**

1 livre (450 g) de filets de poisson frais ou surgelé tel que cabillaud, saumon ou hoplostète orange  
 1 c. à table (15 mL) d'huile d'olive  
 1 c. à table (15 mL) de jus de citron  
 2 c. à table (30 mL) de fromage Parmesan, râpé  
 ½ c. à thé (2,5 mL) d'estragon  
 ½ c. à thé (2,5 mL) de paprika  
 Sel et poivre au goût

Suivre les instructions de cuisson au grill indiquées à la page 19.

Faire décongeler le poisson si nécessaire. Vaporiser le plat de cuisson de produit anti-adhésif pour cuisson; mettre de côté. Rincer le poisson et le sécher avec un essuie-tout. Dans un sac en plastique refermable, mettre l'huile d'olive et le jus de citron. Dans un autre sac, mettre le fromage l'estragon, le paprika, le sel et le poivre; remuer pour mélanger. Mettre le poisson dans le sac d'huile et de jus de citron et secouer pour en enduire tous les côtés. Retirer le poisson et le mettre dans le sac de mélange sec; remuer pour l'enduire. Retirer le poisson et le mettre sur le plat préparé à l'avance. Régler le bouton de commande de la température sur **BROIL/TOAST**; régler le bouton de fonction sur **BROIL** (cuisson au grill). Faire cuire le poisson au grill pendant 15 à 18 minutes par côté, selon l'épaisseur. **Donne 4 portions.**

### **Bœuf au grill**

2 livres (900 g) de London broil, bifteck de ronde ou coupe désirée  
 8 onces (225 g) de champignons entiers  
 1 gros oignon

#### **Marinade (peut être remplacée par une marinade préparée) :**

1 gousse d'ail, émincée  
 ½ tasse (125 mL) de sauce au soya  
 2 c. à table (30 mL) d'huile végétale  
 1 c. à table (15 mL) de vinaigre  
 2 c. à table (30 mL) de ketchup  
 1 c. à thé (5 mL) d'origan séché  
 1 c. à thé (5 mL) de poivre noir moulu

Suivre les instructions de cuisson au grill indiquées à la page 19.

Dans un petit bol, mélanger l'ail, la sauce au soya, l'huile, le vinaigre, le ketchup, l'origan et le poivre noir. Piquer la viande à la fourchette des deux côtés. Verser la marinade sur la viande. Vaporiser le plat de cuisson de produit anti-adhésif; mettre de côté. Éplucher l'oignon et le couper en quartiers, laver les champignons et les mettre dans le plat de cuisson préparé. Mettre la grille de cuisson au grill dans le moule à cuisson. Retirer la viande de la marinade et la mettre sur la grille. Régler le bouton de commande de la température sur **BROIL/TOAST**; régler le bouton de fonction sur **BROIL** (cuisson au grill). Faire cuire au grill pendant 15 à 18 minutes par côté, selon l'épaisseur. **Donne 4 portions.**



## *Service à la clientèle*

Si vous avez une question concernant votre appareil, composer notre numéro sans frais de service à la clientèle. Avant de faire un appel, veuillez noter les numéros de modèle, de type et de série ci-dessous. Ces numéros se trouvent sous votre appareil. Cette information nous aidera à répondre beaucoup plus vite à toute question.

**MODÈLE :** \_\_\_\_\_ **TYPE :** \_\_\_\_\_ **SÉRIE :** \_\_\_\_\_

**Cette garantie s'applique aux produits achetés aux É.-U. ou au Canada.**

### **GARANTIE LIMITÉE**

Ce produit est garanti contre tout vice de main-d'œuvre ou de matériau pendant une période d'un (1) an pour les produits Hamilton Beach et cent quatre-vingt (180) jours pour les produits Proctor Silex et Traditions, à partir de la date de son achat original, à l'exception des modalités suivantes. Pendant cette période, nous réparerons ou nous remplacerons ce produit à notre choix, gratuitement. LA PRÉSENTE GARANTIE REMPLACE TOUTE AUTRE GARANTIE OU CONDITION, QU'ELLE SOIT EXPRESSE OU IMPLICITE, ÉCRITE OU ORALE, Y COMPRIS, SANS S'Y LIMITER, TOUTE GARANTIE STATUTAIRE OU DE QUALITÉ MARCHANDE OU DE CONVENANCE À UN USAGE PARTICULIER. TOUTE RESPONSABILITÉ EST EXPRESSÉMENT LIMITÉE À UN MONTANT ÉGAL AU PRIX D'ACHAT PAYÉ, ET TOUTE RÉCLAMATION POUR DOMMAGE SPÉCIAL, INCIDENT ET CONSÉQUENT EST PAR LA PRÉSENTE EXCLUE. Il n'y a pas de garantie à l'égard des articles suivants qui sont sujet à usure, qui peuvent être fournis avec ce produit, y compris, sans s'y limiter : pièces en verre, contenants en verre, couteaux/tamis, lames, joints, joints d'étanchéité, embrayages, brosses à moteur et/ou agitateurs, etc. Cette garantie ne s'étend qu'au consommateur acheteur initial et ne couvre pas une panne due à une mauvaise utilisation, un mauvais traitement, de la négligence, y compris l'absence de nettoyer le produit régulièrement conformément aux instructions du fabricant, utilisation à des fins commerciales ou tout usage non conforme aux instructions imprimées. Cette garantie vous donne des droits juridiques particuliers et vous pouvez avoir également d'autres droits juridiques qui varient selon l'État ou selon la province. Certains États ou provinces ne permettent pas de limite sur les garanties impliquées sur les dommages incidents, consécutifs ou spéciaux et par conséquent les limites ci-dessus peuvent ne pas s'appliquer à vous.

Si vous avez une réclamation sous cette garantie, **NE RENVOYEZ PAS L'APPAREIL AU MAGASIN.** Veuillez appeler LE NUMÉRO DE SERVICE À LA CLIENTÈLE (pour un service plus rapide, veuillez préparer les numéros de modèle, de série et de type pour permettre à la standardiste de vous aider).

### **NUMÉROS DU SERVICE À LA CLIENTÈLE**

Aux États-Unis 1-800-851-8900

Au Canada 1-800-267-2826

**hamiltonbeach.com • proctorsilex.com**

**CONSERVEZ CES NUMÉROS POUR RÉFÉRENCE ULTÉRIEURE !**

## **⚠️ ADVERTENCIA**

### **Peligro de incendio**

- No opere sin vigilancia mientras usa el modo Toast (tostar).
- No use con bolsas de cocción en el horno.
- No almacene ningún material, diferente a los accesorios recomendados, en este horno cuando no esté en uso.
- Siempre deje al menos una pulgada (2,5 cm) entre los alimentos y el elemento de calefacción.
- No cubra o use cerca de cortinas, paredes, gabinetes, papel o productos plásticos, toallas, etc. Mantenga a una distancia de 2 a 4 pulgadas (5 a 10 cm) de la pared o de cualquier objeto en el mostrador.
- Es necesario que haya una supervisión cuando niños lo utilicen o se utilice cerca de ellos.
- Siempre desconecte el horno eléctrico cuando no esté en uso.
- Una limpieza periódica reduce el riesgo de incendio.
- Si el contenido se prende en llamas, no abra la puerta del horno. Desconecte el horno y deje que el contenido termine de quemarse y se enfríe antes de abrir la puerta.
- No seguir estas instrucciones puede resultar en muerte o incendio.

### **Peligro de choque eléctrico**

- No sumerja este aparato en agua u otro líquido.
- Este aparato cuenta con un enchufe polarizado (una pata más ancha) que reduce el riesgo de choque eléctrico. El enchufe calza únicamente en una dirección dentro del tomacorriente polarizado. No trate de obviar el propósito de seguridad del enchufe al tratar de modificarlo de alguna manera o al usar un adaptador. Si el enchufe no calza, inviértalo. Si aún así no calza, llame a un electricista para que reemplace el tomacorriente.

## **SALVAGUARDIAS IMPORTANTES**

Cuando use aparatos eléctricos, es importante seguir todas las precauciones básicas de seguridad que incluyen lo siguiente:

1. Lea todas las instrucciones.
2. Verifique que el voltaje de su instalación corresponda con el del aparato.
3. No toque superficies calientes. Use manijas o perillas.
4. Para protegerse contra el riesgo de choque eléctrico, no sumerja el cable, el enchufe o el horno eléctrico en agua ni en ningún otro líquido.
5. Es necesario que haya buena supervisión cuando los niños utilicen electrodomésticos o cuando éstos se estén utilizando cerca de niños.
6. Desenchúfelo del tomacorriente cuando no lo esté usando y antes de la limpieza. Deje que se enfríe antes de limpiar el aparato o de colocar o sacar alguna pieza.
7. No opere ningún aparato electrodoméstico si el cordón o el enchufe están averiados, después de un mal funcionamiento del aparato, o si éste se ha caído o averiado de alguna forma. Llame a nuestro número gratuito de servicio al cliente, para obtener información sobre el examen, la reparación o la regulación del aparato.
8. El uso de accesorios no recomendados por el fabricante del aparato puede causar lesiones.
9. No lo use al aire libre.
10. No deje que el cable cuelgue sobre el borde de una mesa o de un mostrador, incluyendo la estufa.
11. No coloque el aparato sobre o cerca de un quemador a gas o eléctrico caliente, ni dentro de un horno caliente.
12. Es importante tener bastante cuidado cuando se mueva un electrodoméstico que contenga aceite caliente u otros líquidos calientes. Asegúrese de dejar enfriar aceite o líquidos calientes antes de desplazar el aparato.
13. Para desconectar, coloque todos los controles en la posición apagada (OFF/O), y luego saque el enchufe del tomacorriente.

14. Tenga mucho cuidado cuando saque la bandeja o elimine la grasa caliente.
15. No limpie con esponjillas metálicas. La esponjilla se puede desintegrar y los trozos pueden tocar las partes eléctricas, creando un riesgo de choque eléctrico.
16. No introduzca alimentos ni utensilios metálicos de tamaño demasiado grande en el horno eléctrico ya que pueden crear un incendio o riesgo de choque eléctrico.
17. Puede ocurrir un incendio si el horno eléctrico se cubre, toca o se encuentra cerca de materiales inflamables, incluyendo cortinas, colgaduras, paredes y superficies similares cuando esté funcionando. No ponga nada sobre el aparato cuando esté funcionando, o antes de que el aparato se enfríe.
18. Se debe tener mucho cuidado cuando se usen envases que no sean de metal o de vidrio.
19. Cuando no esté en uso, no guarde ningún material en este horno que no sean los accesorios recomendados por su fabricante.
20. No coloque ninguno de los siguientes materiales en el horno: papel, cartón, plástico y similares.
21. No cubra la charola para migajas ni ninguna otra parte del horno con papel metálico. Eso puede hacer que el horno se recaliente.
22. Para apagar el horno o parar un ciclo de tostado, rote la perilla Timer (temporizador) hacia la posición OFF (apagado).
23. No ponga los ojos o la cara cerca de la puerta de seguridad de vidrio templado, en caso de que el vidrio de seguridad se rompa.
24. No use el aparato electrodoméstico para ningún otro fin que no sea el indicado.
25. Antes de usar este aparato, muévalo entre 2 y 4 pulgadas (5 y 10 cm) lejos de la pared o de cualquier objeto que se pueda haber colocado cerca o sobre el mismo. No lo use sobre superficies en donde el calor pueda ocasionar problemas.
26. Si el enchufe se calienta, llame a un electricista competente.
27. La puerta del horno no es un estante. No coloque alimentos pesados en la puerta.
28. Tenga mucho cuidado al extender la rejilla o al agregar alimentos en la rejilla extendida.

## ¡GUARDE ESTAS INSTRUCCIONES!

### Información para la seguridad del consumidor

#### **Este aparato ha sido diseñado solamente para uso doméstico.**

El largo del cable que se usa en este aparato fue seleccionado para reducir el peligro de que alguien se enganche o tropiece con un cordón más largo. Si se necesita un cordón más largo, se puede usar un cable de extensión aprobado. La clasificación nominal eléctrica del cable de extensión deberá ser igual o mayor que la clasificación nominal del horno eléctrico. Es importante tener cuidado de colocar el cable de extensión para que no se cuelgue sobre el mostrador o la mesera en donde niños puedan jalar el mismo o tropezarse accidentalmente.

Este aparato viene equipado con una puerta de seguridad de vidrio totalmente templado. El vidrio templado es cuatro veces más fuerte que el vidrio común y más resistente a las roturas. El vidrio templado se puede romper, sin embargo se rompe en trozos sin bordes filosos. Es importante tener cuidado para evitar rayar

la superficie de la puerta o hacer muescas en los bordes. Si la puerta está rayada o tiene muescas, llame al número de teléfono gratuito para servicio al cliente.

Siempre desenchufe el electrodoméstico del tomacorriente cuando no lo esté usando.

Cuando los alimentos pesados estén en la rejilla del horno, no jale hacia fuera más de la mitad de la rejilla. Para rociar los alimentos con el jugo de la cocción o para revisar el término de cocimiento, saque los alimentos del horno y coloque en la superficie del mostrador o base resistente al calor.

No coloque la charola para hornear directamente encima de los elementos de calefacción.

Para evitar una sobrecarga en el circuito, no haga funcionar ningún otro aparato de alto vataje en el mismo circuito que el horno eléctrico.

## Antes del primer uso

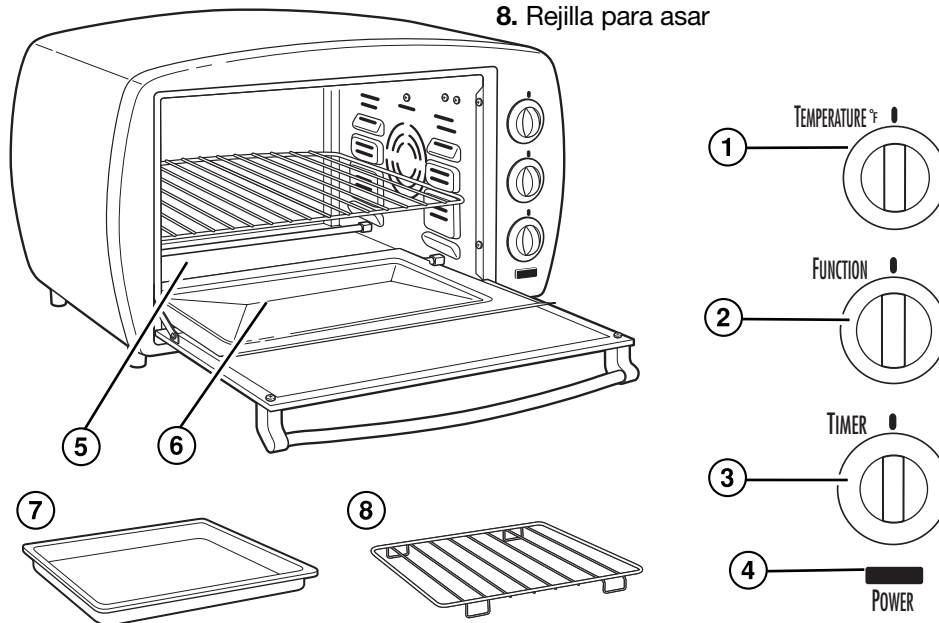
La mayoría de los aparatos de calentamiento producen un olor y/o humo cuando se usan por primera vez. Enchufe el horno eléctrico en el tomacorriente. Gire el Interruptor de Control del horno a 450°F. Coloque el Control de tostado/Temporizador en la posición de Horno encendido (Oven

ON). Caliente a esta temperatura por 10 minutos. El olor deberá desaparecer después del precalentamiento inicial.

Retire la asadera de hornear, la rejilla para asar a la parrilla y la rejilla del horno. Lávelas en agua caliente y jabonosa. Enjuague y seque.

## Piezas y características

1. Perilla de temperatura
2. Perilla de funciones
3. Perilla ON/OFF (encendido/apagado)/Programador de Tiempo
4. Luz indicadora de encendido
5. Rejilla del horno (2 disponibles en ciertos modelos)
6. Charola para migas deslizable
7. Charola para hornear
8. Rejilla para asar



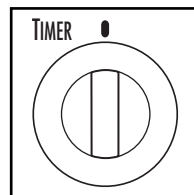
## Cómo usar el horno

### Para tostar

**¡IMPORTANTE!** La perilla de funciones debe estar en la posición TOAST (tostar) y la perilla de temperatura debe estar en la posición BROIL/TOAST (Asar/tostar), caso contrario la unidad no tostará de manera adecuada.

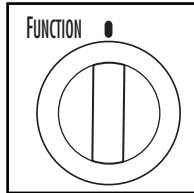
1. Coloque la rejilla del horno en la posición media e introduzca el pan.

2. Gire la perilla de temperatura a la posición BROIL (asar).

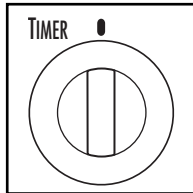


## Para tostar

3. Gire la perilla de funciones a TOAST o BAKE/TOAST.



4. Gire la perilla del programador de tiempo al color deseado de tostado. Para configurar el programador de tiempo de manera adecuada, siempre gire pasando la marca de los 10 minutos y vuelva a girar hacia el símbolo de tostado que representa el color de tostado deseado. Esto asegurará que el programador de tiempo funcione de manera correcta y segura.



**NOTA:** Debido a la altura y profundidad de este horno, experimentará tiempos de tostado mayores a los comunes en un horno más pequeño o un tostador.

5. Al finalizar el ciclo de tostado, se oirá una campanilla. Para detener el tostado antes de que se termine el ciclo, gire la perilla del temporizador a OFF (apagado).
6. Cuando haya terminado, apáguelo (OFF). Desenchufe del tomacorriente.

### ⚠ ADVERTENCIA

#### Peligro de incendio

No deje el horno sin atención durante el tostado o dorado superior.

## Sugerencias para tostar

Este horno retiene el calor muy bien. Al hacer más de una tanda de tostadas, el selector de tono de tostado debe fijarse en un tono más ligero en la segunda tanda para obtener el mismo tono de tostado que en la primera.

- **Para tostar pan,** coloque el pan a 4 centímetros (1.5 pulgadas) del borde delantero de la rejilla.
- **Para tostar bagels** coloque la rejilla del horno en la posición alta y coloque los bagels con el lado del corte hacia arriba. Se tostará más el lado del corte que el lado exterior del bagel. Fije el selector de tono de tostado en el nivel Medium (medio).
- **Para tostar muffins ingleses,** coloque la rejilla del horno en la posición alta y coloque los muffins ingleses con el lado cortado hacia arriba. Fije el selector de tono de tostado en el nivel Medium (medio).
- **Para tostar pastelería común para horno, pastelería congelada o**

**waffles,** coloque la rejilla del horno en la posición medio. Elija un tono ligero y tueste directamente en la rejilla del horno. Si la pastelería tiene un baño glaseado, use la charola para hornear.

- Al tostar, se puede formar **condensación** en la puerta del horno. Los hornos eléctricos son cerrados de manera que la humedad se escape lentamente. Después de tostar, limpie la puerta hasta quedar seca, lo que facilita la limpieza.
- Al escuchar el sonido al final del ciclo, **saque de inmediato la tostada,** o el calor permanecerá en el horno y continuará tostando hasta secar la tostada.
- El **número de piezas de pan, la frescura del pan** y la **temperatura inicial** del horno afectarán el tono de tostado. Si el horno ya está caliente, elija un tono más ligero de tostado que el normal. Ajuste el selector de tono de tostado para lograr el tono deseado.

## Horneado y cocción tradicional

1. Coloque la rejilla del horno en la posición media o baja, dependiendo del alimento que va a cocinar.
2. Ajuste la perilla de temperatura en la temperatura deseada.
3. Ajuste la perilla de función en BAKE o BAKE/TOAST.
4. Para configurar el programador de tiempo de manera adecuada, siempre gire pasando la marca de los 10 minutos y vuelva a girar hasta el tiempo deseado. Deje precalentar el horno durante 5 minutos.
5. Coloque en el horno la comida que va a hornear.
6. Configure el programador de tiempo con el tiempo deseado o Stay On (permanecer encendido). Si va a hornear por menos de 10 minutos, gire el programador de tiempo pasando los 10 minutos y luego vuelva al tiempo deseado de horneado.
7. Al terminar apáguelo (OFF/O). Desenchufe del tomacorriente.

### Consejos para calentar y recalentar

- No cubra por completo los alimentos con papel de aluminio. El papel de aluminio puede aislar los alimentos y retrasar el calentado.
- Para recalentar panecillos y galletas, colóquelos en el molde para hornear y caliente a 300°F (150°C) durante 5 minutos.
- Recaliente las sobras de asados o cacerolas a 350°F (180°C) por 20 a 30 minutos o hasta que se calienten por completo.

### Consejos para cocer

- El método de convección (en modelos selectos) cuece hasta un tercio más rápido que el horneado tradicional. Cuando lo use por primera vez, fíjese si el tiempo o la temperatura se deben ajustar.
- El tiempo de cocción variará considerablemente dependiendo del grosor de la carne. Cocine hasta que el termómetro insertado en el centro de la carne registre el punto de cocción deseado.

## ⚠ ADVERTENCIA

### Peligro de incendio

- No deje el horno sin atención mientras opera.
- Deje 2.5 centímetros (una pulgada) entre la comida y el elemento calefactor.
- No use bolsas de cocción en el horno.
- No caliente alimentos en contenedores plásticos.
- Siga las instrucciones del fabricante del alimento.

### Tamaños de moldes

Los siguientes moldes son adecuados para su horno. Para asegurarse, antes de preparar la receta coloque el molde en el horno para revisar que sea el apropiado.

Molde para 6 panecillos de una taza

2 Molde para pan de 20 x 10 cm

Molde para pan de 23 x 13 cm

2 Molde redondo o cuadrado para hornear de 20 cm

La mayoría de los platos para cacerola de 1 a 1½ L

### Sugerencias para pizzas

- **Para calentar pizza**, nunca coloque la caja de la pizza en el horno. Las tajadas de pizza se deben calentar en la rejilla para asar a la parrilla dentro de la charola para hornear con la rejilla del horno en la posición medio.
- **Para pizza de corteza crujiente**, cocine la pizza congelada directamente en la rejilla del horno en la posición medio.
- **Para pizzas de corteza suave**, cocine la pizza congelada en la rejilla del horno cubierta con papel de aluminio con la rejilla en la posición más baja.
- **Para una pizza de corteza hecha en casa** (o cualquier masa suave), cocine la pizza en la charola para hornear en la posición más baja de la rejilla.

### Asar a la parrilla

1. Coloque la rejilla del horno en la posición alta o media. Coloque el alimento en el molde para hornear sobre la rejilla para asar a la parrilla y póngalo en el horno. No precaliente el horno.
2. Ajuste la perilla de temperatura a BROIL/TOAST.
3. Ajuste la perilla de función en BROIL (asar a la parrilla).
4. Para configurar el Temporizador de manera adecuada, siempre gire pasando la marca de los 10 minutos y vuelva a girar hasta el tiempo deseado.
5. A la mitad del tiempo de cocción o cuando la comida se haya dorado, dé vuelta al alimento para que se dore y cueza por el otro lado.
6. Al terminar, apague el horno (OFF/O). Desenchufe del tomacorriente.

## ⚠️ ADVERTENCIA

### Peligro de incendio

No deje el horno sin atención durante el tostado o dorado superior.

### Consejos para asar a la parrilla

- Para obtener mejores resultados, no precaliente el horno cuando ase a la parrilla.
- Siempre deje un espacio de al menos una pulgada entre los alimentos y el elemento de calentamiento.
- Use la rejilla para asar a la parrilla en la posición alta para tiempos más rápidos de asado a la parrilla. Use la posición baja para los alimentos que necesiten tiempos para asar más prolongados, como el pollo.

### Tabla para asar a la parrilla

ALIMENTO	TIEMPO APROXIMADO
Hamburguesas	20 minutos
Hot Dogs	15 minutos
Salchichones o empanadas (perfore la cubierta antes de cocer)	15 a 20 minutos
Pescado	15 minutos

Estos tiempos de cocción son un promedio y se deben ajustar a las preferencias individuales. Dé vuelta a los alimentos a la mitad del tiempo de cocción.

# Características opcionales

(disponibles en ciertos modelos)

## Cocción por convección

**NOTA:** El modo de cocción por convección cocerá la mayoría de los alimentos hasta un cuarto más rápido que el horneado tradicional.

1. Coloque la rejilla del horno en la posición media o baja, dependiendo del alimento que va a cocinar.
2. Ajuste la perilla de temperatura en la temperatura deseada.
3. Ajuste la perilla de función en CONVECTION (Convección).
4. Para configurar el Programador de tiempo de manera adecuada, siempre gire pasando la marca de los 10 minutos y vuelva a girar hasta el tiempo deseado.
5. Coloque en el horno la comida que va a hornear.
6. Ajuste el temporizador entre 5 y 15 minutos o en Stay On.
7. Al terminar apáguelo (OFF/O). Desenchufe del tomacorriente.

### **⚠ ADVERTENCIA**

#### **Peligro de incendio**

No deje el horno sin atención durante el tostado o dorado superior.

## Limpieza del horno

La charola para migas deslizable de su horno se debe limpiar con frecuencia para un mejor rendimiento y durabilidad.

1. Desenchufe el horno y deje que se enfríe.
2. Lave la rejilla del horno y el molde para hornear en agua caliente y jabonosa. Enjuague y seque.
3. Para limpiar la charola para migajas, deslícela hacia afuera y límpiela con una paño húmedo. Deslícela de regreso a su lugar.
4. Para limpiar las paredes interiores y el exterior del horno, limpie con un paño húmedo. No use limpiadores abrasivos. No limpie con esponjas de metal para limpiar ya que se pueden desprender trozos y tocar las partes eléctricas, causando un riesgo de choque eléctrico.



## *Solución de problemas*

### **El horno no calienta.**

Revise para asegurarse de que el tomacorriente funcione y de que el horno esté enchufado. Después gire la perilla de temperatura a 350°F, gire la perilla de función a BAKE (hornear) o BAKE/TOAST y gire el temporizador a permanecer encendido (Stay On).

### **Sale del horno un olor y humo.**

El humo y el olor son normales durante el primer uso de la mayoría de los electrodomésticos para calentar. Esto no se presentará después del periodo inicial de calentamiento.

### **Algunos alimentos se queman y otros no se cuecen.**

Use la posición de la rejilla del horno para centrar los alimentos en el horno. Ajuste la temperatura del horno o el tiempo de cocción para obtener mejores resultados con sus recetas.

## *Recetas para hornear*

### **Pollo asado**

Para asar un pollo entero en el horno, éste debe pesar 5 libras o menos. Ase el pollo a 325°F (160°C) durante 2½ h. o hasta alcanzar una temperatura interna de 180°F (82°C).

### **Papas al horno**

4 papas para hornear medianas, de unas 10 onzas cada una

Para precalentar el horno, coloque la perilla de control de temperatura en 425°F (220°C); gire la Perilla de funciones a Bake (hornear). Lave las papas y perfore la piel con un tenedor. Coloque las papas en una asadera e introduzca en el horno. Cocine por una hora o hasta que estén listas. No las envuelva en papel de aluminio ya que ello puede aumentar el tiempo de cocción.

### **Jamón Glaseado de Frambuesas y Pimienta**

1 jamón de 7 libras (3150 g) cocido con hueso y de corte en espiral	1 cucharada (15 ml) de ajo picado
1 frasco de 12 onzas (350 g) de conserva de frambuesas	1 cucharada (15 ml) de pimienta negra
2 cucharadas (30 ml) de vinagre blanco	2 cucharadas (30 ml) de licor de frambuesas (opcional)

Para precalentar el horno, ajuste la Perilla de Control de Temperatura a 350°F (180°C); gire la Perilla de Funciones en **BAKE/TOAST**.

Coloque la parrilla del horno en la posición más baja. Coloque la parrilla para asar sobre la bandeja para horneado y ponga el jamón sobre la parrilla. Prepare y caliente el jamón siguiendo las instrucciones del paquete.

En una cacerola, mezcle la conserva de frambuesas, el vinagre blanco, el ajo, la pimienta negra y el licor de frambuesas(opcional). Cocine en horno mediano hasta que aparezcan burbujitas sobre los extremos. Pinte la mitad del glaseado sobre el jamón 30 minutos antes de que esté listo. Hornee durante los 30 minutos finales. Recaliente el glaseado restante. Quite el jamón glaseado del horno. Coloque el glaseado restante sobre el jamón justo antes de servir. Rinde 20 porciones.

## ***Receta para convección*** *(en modelos selectos)*

### **Pechuga de pavo asada a las hierbas**

1 pechuga de pavo de 5,5 libras (2475 g), fresca o congelada, descongelada  
 1 cucharadita (5 ml) de tomillo molido  
 1 cucharadita (5 ml) de hojas de romero trituradas  
 ½ cucharadita (2.5 ml) de ajo picado  
 ½ taza (125 ml) de mantequilla ablandada  
 Sal y pimienta al gusto

Para precalentar el horno, ajuste la perilla de control de la temperatura a 400°F (205°C); ajuste la perilla de función en convección. Rocíe la rejilla de la bandeja del asador con aceite de cocina antiadherente en aerosol. Lave la pechuga de pavo y séquela con una toalla de papel dando suaves golpecitos.

Coloque la pechuga de pavo en la rejilla con el lado de la pechuga hacia arriba. En un tazón pequeño mezcle el tomillo, romero, ajo, sal, pimienta y mantequilla; frote la mezcla homogéneamente en la pechuga de pavo. Ase la pechuga de pavo por 2½ horas o hasta que la temperatura interna alcance los 180°F (82°C). Retire del horno, cubra y deje reposar durante 15 minutos hasta de cortar. **Sirve 8 porciones.**

## ***Receta para asar***

### **Carne de res a la parrilla**

2 libras (900 g) de asado a la londinense, de bistec de masa redonda o del corte deseado

8 onzas (225 g) de champiñones enteros  
 1 cebolla grande

#### **Para marinar (se puede sustituir con marinado preparado):**

1 diente de ajo picado  
 ½ taza (125 ml) de salsa de soya  
 2 cucharadas (30 ml) de aceite vegetal  
 1 cucharada (15 ml) de vinagre

2 cucharadas (30 ml) de catsup  
 1 cucharadita (5 ml) de orégano seco  
 1 cucharadita (5 ml) de pimienta negra molida

Siga las instrucciones para cocinar a la parrilla que se encuentran en la página 33. En un tazón pequeño, mezcle el ajo, salsa de soya, aceite, vinagre, catsup, orégano y pimienta negra. Con un tenedor, haga varios orificios por ambos lados de la carne. Vierta el marinado sobre la carne.

Rocíe el molde para hornear con aceite de cocina antiadherente en aerosol, deje a un lado. Pele y corte en cuartos la cebolla, lave los champiñones y colóquelos en el molde para hornear preparado. Coloque por encima la rejilla para asar. Saque la carne del marinado y colóquela en la rejilla. Ajuste la perilla de control de la temperatura a **BROIL/TOAST**; ajuste la perilla de función en asar a la parrilla. Ase a la parrilla por 15 a 18 minutos por lado, dependiendo del grosor. **Sirve 4 porciones.**

**Hamilton Beach****Proctor Silex**

Grupo HB PS, S.A. de C.V.  
 Monte Elbruz No. 124 Int. 601  
 Col. Palmitas Polanco  
 México, D.F. C.P. 11560  
 Tel. 52 82 31 05 y 52 82 31 06  
 Fax. 52 82 3167

**PÓLIZA DE GARANTÍA**

PRODUCTO:	MARCA:	Hamilton Beach: <input type="checkbox"/> Proctor-Silex: <input type="checkbox"/>	MODELO:
<p>Hamilton Beach/Proctor-Silex cuenta con una Red de Centros de Servicio Autorizada, por favor consulte en la lista anexa el nombre y dirección de los establecimientos en la República Mexicana en donde usted podrá hacer efectiva la garantía, obtener partes, componentes, consumibles y accesorios; así como también obtener servicio para productos fuera de garantía.          Para mayor información llame sin costo:  <b>Centro de Atención al consumidor: 01 800 71 16 100</b></p>			
<p>Grupo HB PS, S.A. de C.V. le otorga a partir de la fecha de compra:  <b>GARANTÍA DE 1 AÑO.</b></p>			
<b>COBERTURA</b>			
<ul style="list-style-type: none"> <li>• Esta garantía ampara, todas las piezas y componentes del producto que resulten con defecto de fabricación incluyendo la mano de obra.</li> <li>• Grupo HB PS, S.A. de C.V. se obliga a reemplazar, reparar o reponer, cualquier pieza o componente defectuoso; proporcionar la mano de obra necesaria para su diagnóstico y reparación, todo lo anterior sin costo adicional para el consumidor.</li> <li>• Esta garantía incluye los gastos de transportación del producto que deriven de su cumplimiento dentro de su red de servicio.</li> </ul>			
<b>LIMITACIONES</b>			
<ul style="list-style-type: none"> <li>• Esta garantía no ampara el reemplazo de piezas deterioradas por uso o por desgaste normal, como son: cuchillas, vasos, jarras, filtros, etc.</li> <li>• Grupo HB PS, S.A. de C.V. no se hace responsable por los accidentes producidos a consecuencia de una instalación eléctrica defectuosa, ausencia de toma de tierra, clavija de enchufe en mal estado, etc.</li> </ul>			
<b>EXCEPCIONES</b>			
<p>Esta garantía no será efectiva en los siguientes casos:</p> <ol style="list-style-type: none"> <li>a) Cuando el producto se hubiese utilizado en condiciones distintas a las normales. (Uso industrial, semi-industrial o comercial.)</li> <li>b) Cuando el producto no hubiese sido operado de acuerdo con el instructivo de uso.</li> <li>c) Cuando el producto hubiese sido alterado o reparado por personas no autorizadas por Grupo HB PS, S.A. de C.V. el fabricante nacional, importador o comercializador responsable respectivo.</li> </ol> <p>El consumidor puede solicitar que se haga efectiva la garantía ante la propia casa comercial donde adquirió su producto, siempre y cuando Grupo HB PS, S.A. de C.V. no cuente con talleres de servicio.</p>			
<b>PROCEDIMIENTO PARA HACER EFECTIVA LA GARANTÍA</b>			
<ul style="list-style-type: none"> <li>• Para hacer efectiva la garantía no deben exigirse mayores requisitos que la presentación del producto y la póliza correspondiente, debidamente sellada por el establecimiento que lo vendió.</li> <li>• Para hacer efectiva la garantía, lleve su aparato al Centro de Servicio Autorizado más cercano a su domicilio (consulte la lista anexa).</li> <li>• Si no existe Centro de Servicio Autorizado en su localidad siga las siguientes instrucciones:             <ol style="list-style-type: none"> <li>1. Empaque su producto adecuadamente para que no se dañe durante el traslado.</li> <li>2. Anote claramente sus datos y los del Centro de Servicio al que está enviando el producto.</li> <li>3. No incluya partes sueltas ni accesorios para evitar su pérdida.</li> </ol> </li> <li>• El tiempo de reparación, en ningún caso será mayor de 30 días naturales contados a partir de la fecha de recepción del producto en nuestros Centros de Servicio Autorizados.</li> <li>• En caso de que el producto haya sido reparado o sometido a mantenimiento y el mismo presente deficiencias imputables al autor de la reparación o del mantenimiento dentro de los treinta días naturales posteriores a la entrega del producto al consumidor, éste tendrá derecho a que sea reparado o mantenido de nuevo sin costo alguno. Si el plazo de la garantía es superior a los treinta días naturales, se estará a dicho plazo.</li> <li>• El tiempo que duren las reparaciones efectuadas al amparo de la garantía no es computable dentro del plazo de la misma. Cuando el bien haya sido reparado se iniciará la garantía respecto de las piezas repuestas y continuará con relación al resto. En el caso de reposición del bien deberá renovarse el plazo de la garantía.</li> </ul>			
DÍA ___ MES ___ AÑO ___	<p>Si desea hacer comentarios o sugerencias con respecto a nuestro servicio o tiene alguna queja derivada de la atención recibida en alguno de nuestros Centros de Servicio Autorizados, por favor dirigirse a:</p> <p style="text-align: center;"><b>GERENCIA INTERNACIONAL DE SERVICIO (DIMALSA)</b>          Prof. Av. La Joya s/n. Esq. Av. San Antonio          Col. El Infiernillo C.P. 54878, Cuautitlán, Edo de México          Tel. (55) 58 99 62 42 • Fax. (55) 58 70 64 42          Centro de Atención al consumidor: 01 800 71 16 100</p>		

## RED DE CENTROS DE SERVICIO AUTORIZADA GRUPO HB PS, S.A. DE C.V.

### Distrito Federal

ELECTRODOMÉSTICOS  
Av. Plutarco Elias Cailles No. 1499  
Zacahuitzco MEXICO 09490 D.F.  
Tel: 01 55 5235 2323  
Fax: 01 55 5243 1397

CASA GARCIA  
Av. Patriotismo No. 875-B  
Mixcoac MEXICO 03910 D.F.  
Tel: 01 55 5563 8723  
Fax: 01 55 5615 1856

### Nuevo Leon

FERNANDO SEPULVEDA REFACCIONES  
Ruperto Martínez No. 238 Ote.  
Centro MONTERREY, 64000 N.L.  
Tel: 01 81 8343 6700  
Fax: 01 81 8344 0486

### Jalisco

REF. ECONÓMICAS DE OCCIDENTE,  
S.A. DE C.V.  
Garibaldi No. 1450  
Ladrón de Guevara  
GUADALAJARA 44660 Jal.  
Tel: 01 33 3825 3480  
Fax: 01 33 3826 1914

### Chihuahua

DISTRIBUIDORA TURMIX  
Av. Paseo Triunfo de la Rep. No. 5289 Local 2 A.  
Int. Hipermart  
Alamos de San Lorenzo  
CD. JUAREZ 32340 Chih.  
Tel: 01 656 617 8030  
Fax: 01 656 617 8030

**Modelos:**  
31180

**Tipo:**  
033

**Características Eléctricas:**  
120 V~ 60 Hz 1440 W

**Los números de modelo también pueden estar seguidos del sufijo "MX".**

HAMILTON BEACH ♦ PROCTOR-SILEX, INC.

263 Yadkin Road  
Southern Pines, North Carolina 28387

8400147700

hiltonbeach.com • proctorsilex.com  
hiltonbeach.com.mx • proctorsilex.com.mx

PROCTOR-SILEX CANADA, INC.

Picton, Ontario K0K 2T0

4/06