

Refrigerator
Kühlschrank
Réfrigérateur
Frigorifero
Hladnjak

DSM 9651 A+

D Bedienungsanleitung

Blomberg

Please read this manual first!

Dear Customer,

We hope that your product, which has been produced in modern plants and checked under the most meticulous quality control procedures, will provide you an effective service.

For this, we recommend you to carefully read the entire manual of your product before using it and keep it at hand for future references.




This manual

- Will help you use your appliance in a fast and safe way.
- Read the manual before installing and operating your product.
- Follow the instructions, especially those for safety.
- Keep the manual in an easily accessible place as you may need it later.
- Besides, read also the other documents provided with your product.

Please note that this manual may be valid for other models as well.

Symbols and their descriptions

This instruction manual contains the following symbols:

-  Important information or useful usage tips.
-  Warning against dangerous conditions for life and property.
-  Warning against electric voltage.



This product bears the selective sorting symbol for waste electrical and electronic equipment (WEEE).

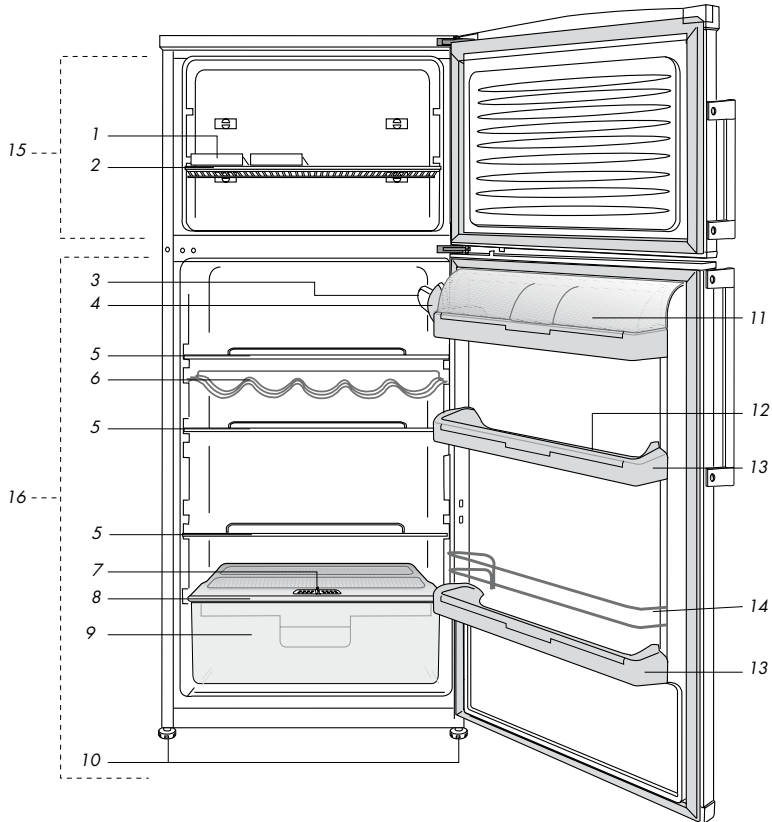
This means that this product must be handled pursuant to European Directive 2002/96/EC in order to be recycled or dismantled to minimise its impact on the environment. For further information, please contact your local or regional authorities.

Electronic products not included in the selective sorting process are potentially dangerous for the environment and human health due to the presence of hazardous substances.

CONTENTS

1 Your refrigerator	3	4 Preparation	12
2 Important Safety Warnings	4	5 Using your refrigerator	13
Intended use	4	Thermostat setting button.....	13
General safety	4	Defrost	13
Child safety.....	6	Stopping your product.....	14
HCA Warning	6	Crisper humidity control sliders.....	14
Things to be done for energy saving..	7	6 Maintenance and cleaning	15
3 Installation	8	Protection of plastic surfaces	15
Preparation.....	8	7 Recommended solutions for the problems	16
Points to be considered when re-transporting your refrigerator	8		
Before operating your refrigerator	9		
Electric connection	9		
Disposing of the packaging	9		
Disposing of your old refrigerator	9		
Adjusting the legs	10		
Replacing the interior light bulb	10		
Reversing the doors	11		

1 Your refrigerator



- | | |
|---|---------------------------|
| 1. Ice cube tray | 9. Crisper |
| 2. Freezer shelf | 10. Adjustable front feet |
| 3. Interior light | 11. Dairy compartment |
| 4. Thermostat knob | 12. Door shelf |
| 5. Fridge compartment shelves | 13. Egg tray |
| 6. Wine rack | 14. Bottle shelter wire |
| 7. Defrost water collection channel -
Drain tube | 15. Freezer compartment |
| 8. Crisper humidity controls | 16. Fridge compartment |

ⓘ Figures that take place in this instruction manual are schematic and may not correspond exactly with your product. If the subject parts are not included in the product you have purchased, then it is valid for other models.

2 Important Safety Warnings

Please review the following information. If these are not followed, personal injury or material damage may occur. Otherwise, all warranty and reliability commitments will become invalid.

The usage life of the unit you purchased is 10 years. This is the period for keeping the spare parts required for the unit to operate as described.

Intended use

- This product is designed for domestic use.
- It should not be used outdoors. It is not appropriate to use it outdoor even if the place is covered with a roof.

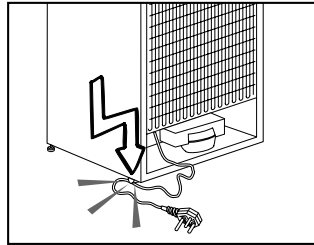
General safety

- When you want to dispose/scrap the product, we recommend you to consult the authorized service in order to learn the required information and authorized bodies.
- Consult your authorized service for all your questions and problems related to the refrigerator. Do not intervene or let someone intervene to the refrigerator without notifying the authorized services.
- Do not eat cone ice cream and ice cubes immediately after you take them out of the freezer compartment! (This may cause frostbite in your mouth.)
- Do not put bottled and canned liquid beverages in the freezer compartment. Otherwise, these may burst.
- Do not touch frozen food by hand; they may stick to your hand.
- Vapor and vaporized cleaning materials should never be used in cleaning and defrosting processes of

your refrigerator. In such cases, the vapor might get in contact with the electrical parts and cause short circuit or electric shock.

- Never use the parts on your refrigerator such as the door as a means of support or step.
- Do not use electrical devices inside the refrigerator.
- Do not damage the cooling circuit, where the refrigerant is circulating, with drilling or cutting tools. The refrigerant that might blow out when the gas channels of the evaporator, pipe extensions or surface coatings are punctured may cause skin irritations and eye injuries.
- Do not cover or block the ventilation holes on your refrigerator with any material.
- Repairs of the electrical appliances must only be made by qualified persons. Repairs performed by incompetent persons may create a risk for the user.
- In case of any failure or during a maintenance or repair work, disconnect your refrigerator's mains supply by either turning off the relevant fuse or unplugging your appliance.
- Do not pull by the cable when pulling off the plug.
- Place the beverage with higher proofs tightly closed and vertically.
- Flammable items or products that contain flammable gases (e.g. spray) as well as the explosive materials should never be kept in the appliance.

- Do not use mechanical devices or other means to accelerate the defrosting process, others than those recommended by the manufacturer.
- This appliance is not intended for use by persons (including children) with reduced physical, sensory or mental capabilities, or lack of experience and knowledge, unless they have been given supervision or instruction concerning use of the appliance by a person responsible for their safety.
- Do not operate a damaged refrigerator. Consult your service if you have any doubts.
- Electrical safety of your refrigerator shall be guaranteed only if the earth system in your house complies with standards.
- Exposing the product to rain, snow, sun and wind is dangerous with respect to electrical safety.
- Contact the authorized service when there is a power cable damage and etc. so that it will not create a danger for you.
- Never plug the refrigerator into the wall outlet during installation. Otherwise, risk of death or serious injury may arise.
- This refrigerator is designed solely for storing food. It should not be used for any other purposes.
- The label that describes the technical specification of the product is located on the inner left part of the refrigerator.
- Do not hook up the refrigerator to electronic energy saving systems as it may damage the product.
- If the refrigerator has blue light do not look at the blue light through optical devices.
- If the power supply is disconnected in manually controlled refrigerators please wait for at least 5 minutes before reconnecting the power.
- This product manual should be passed to the next owner of the refrigerator if the owner changes.
- When moving the refrigerator make sure that you do not damage the power cord. In order to prevent fire the power cord should not be twisted. Heavy objects should not be placed on the power cord. When the refrigerator is being plugged do not handle the power outlet with wet hands.



- Do not plug the refrigerator if the electric outlet is loose.
- Do not splash water directly on the outer or inner parts of the refrigerator due to safety.
- Do not spray inflammable materials such as propane gas etc near refrigerator due to the risk of fire and explosion.
- Do not place objects filled with water on top of the refrigerator as it may result in electric shock or fire.
- Do not overload the refrigerator with excess food. The excess food may fall when the door is opened resulting in injuring you or damaging the refrigerator. Do not place objects on top of the refrigerator as the objects may fall when opening or closing the refrigerator door.

- Materials that require certain temperature conditions such as vaccine, temperature sensitive medicines, scientific materials etc should not be kept in refrigerator.
- If refrigerator will not be operated for an extended period of time it should be unplugged. A problem in electrical cable insulation may result in fire.
- The tip of the electric plug should be cleaned regularly otherwise it may cause fire.
- The refrigerator may move when the adjustable feet is not positioned firmly on the floor. Using the adjustable feet you can unsure that the refrigerator is positioned firmly on the floor.
- If the refrigerator has door handle do not pull the refrigerator via door handles when moving the product as it may disconnect the handle from the refrigerator.
- If you must operate your appliance adjacent to another refrigerator or freezer, the distance between the appliances must be at least 8 cm. Otherwise condensation may occur on the side walls facing each other.
- Water mains pressure must not be below 1 bar. Water mains pressure must not be above 8 bars.
- Use only drinkable potable water.

Child safety

- If the door has a lock, the key should be kept away from reach of children.
- Children should be supervised to ensure that they do not play with the appliance

HCA Warning

If your product is equipped with a cooling system that contains R600a:

This gas is flammable. Therefore, pay attention to not damaging the cooling system and piping during usage and transportation. In the event of damage, keep your product away from potential fire sources that can cause the product catch a fire and ventilate the room in which the unit is placed.

Ignore the warning if your product is equipped with a cooling system that contains R134a.

You can see the gas used in production of your product on the rating plate that is located on the left inner part of it.

Never dispose the product in fire.

Things to be done for energy saving

- Do not leave the doors of your refrigerator open for a long time.
- Do not put hot food or drinks in your refrigerator.
- Do not overload your refrigerator so that the air circulation inside of it is not prevented.
- Do not install your refrigerator under direct sunlight or near heat emitting appliances such as ovens, dishwashers or radiators.
- Pay attention to keep your food in closed containers.
- Maximum amount of food can be put in your refrigerator's freezer compartment when the freezer compartment shelf or drawer is removed. Declared energy consumption value of your refrigerator was determined when the freezer compartment shelf or drawer was removed and under maximum amount of food load. There is no risk in using a shelf or drawer according to the shapes and sizes of the foods to be frozen.

3 Installation

Please remember that the manufacturer shall not be held liable if the information given in the instruction manual is not observed.

Preparation

- i** Your refrigerator should be installed at least 30 cm away from heat sources such as hobs, ovens, central heater and stoves and at least 5 cm away from electrical ovens and should not be located under direct sunlight.
- i** The ambient temperature of the room where you install your refrigerator should at least be 10°C. Operating your refrigerator under cooler conditions than this is not recommended with regard to its efficiency.
- i** Please make sure that the interior of your refrigerator is cleaned thoroughly.
- i** If two refrigerators are to be installed side by side, there should be at least 2 cm distance between them.
- i** When you operate your refrigerator for the first time, please observe the following instructions during the initial six hours.
 - The door should not be opened frequently.
 - It must be operated empty without any food in it.
 - Do not unplug your refrigerator. If a power failure occurs out of your control, please see the warnings in the "Recommended solutions for the problems" section.
- i** Original packaging and foam materials should be kept for future transportations or moving.

Points to be considered when re-transporting your refrigerator

1. Your refrigerator must be emptied and cleaned prior to any transportation.
2. Shelves, accessories, crisper and etc. in your refrigerator must be fastened securely by adhesive tape against any jolt before repackaging.
3. Packaging must be tied with thick tapes and strong ropes and the rules of transportation printed on the package must be followed.

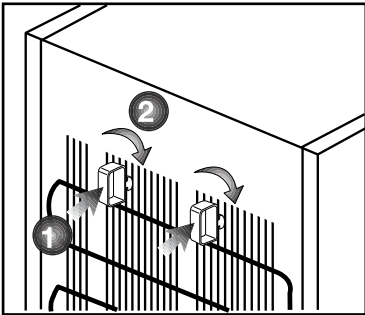
Please remember...

Every recycled material is an indispensable source for the nature and for our national resources. If you wish to contribute to recycling the packaging materials, you can get further information from the environmental bodies or local authorities.

Before operating your refrigerator

Before starting to use your refrigerator check the following:

1. Is the interior of the refrigerator dry and can the air circulate freely in the rear of it?
2. Insert the 2 plastic wedges onto the rear ventilation as illustrated in the following figure. Plastic wedges will provide the required distance between your refrigerator and the wall in order to allow the air circulation.



3. Clean the interior of the refrigerator as recommended in the “Maintenance and cleaning” section.
4. Plug the refrigerator into the wall outlet. When the fridge door is open the fridge compartment interior light will come on.
5. You will hear a noise as the compressor starts up. The liquid and gases sealed within the refrigeration system may also give rise to noise, even if the compressor is not running and this is quite normal.
6. Front edges of the refrigerator may feel warm. This is normal. These areas are designed to be warm to avoid condensation.

Electric connection

Connect your product to a grounded socket which is being protected by a fuse with the appropriate capacity.

Important:

The connection must be in compliance with national regulations.

The power cable plug must be easily accessible after installation.

Voltage and permitted fuse protection are indicated in the “Specifications” section.

The specified voltage must be equal to your mains voltage.

Extension cables and multiway plugs must not be used for connection.

A damaged power cable must be replaced by a qualified electrician.

Product must not be operated before it is repaired! There is danger of electric shock!

Disposing of the packaging

The packing materials may be dangerous for children. Keep the packing materials out of the reach of children or dispose them of by classifying them in accordance with the waste instructions. Do not dispose them of along with the normal household waste.

The packing of your refrigerator is produced from recyclable materials.

Disposing of your old refrigerator

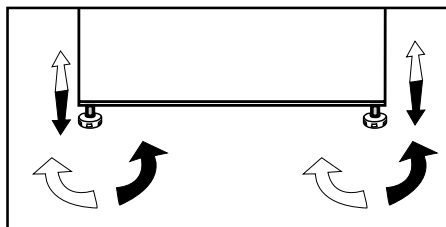
Dispose of your old machine without giving any harm to the environment.

You may consult your authorized dealer or waste collection center of your municipality about the disposal of your refrigerator.

Before disposing of your refrigerator, cut out the electric plug and, if there are any locks on the door, make them inoperable in order to protect children against any danger.

Adjusting the legs

If your refrigerator is unbalanced; You can balance your refrigerator by turning the front legs of it as illustrated in the figure. The corner where the leg exists is lowered when you turn in the direction of black arrow and raised when you turn in the opposite direction. Taking help from someone to slightly lift the refrigerator will facilitate this process.

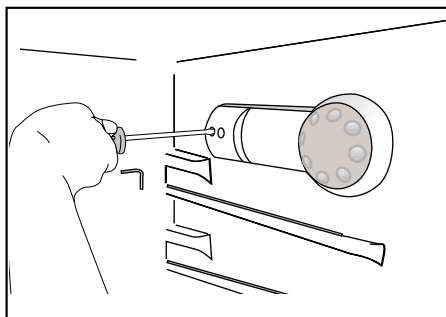


cover by inserting the rear lug and pushing up to locate the front two lugs.

4- If the light still fails to work, switch off at the socket outlet and pull out the mains plug. Replace the bulb with a new 15 watt (max) screw cap (SES) bulb.

5- Carefully dispose of the burnt-out light bulb immediately.

Replacement light bulb can easily be obtained from a good local electrical or DIY store.



Replacing the interior light bulb

Should the light fail to work, proceed as follows.

1- Switch off at the socket outlet and pull out the mains plug.

You may find it useful to remove shelves for easy access.

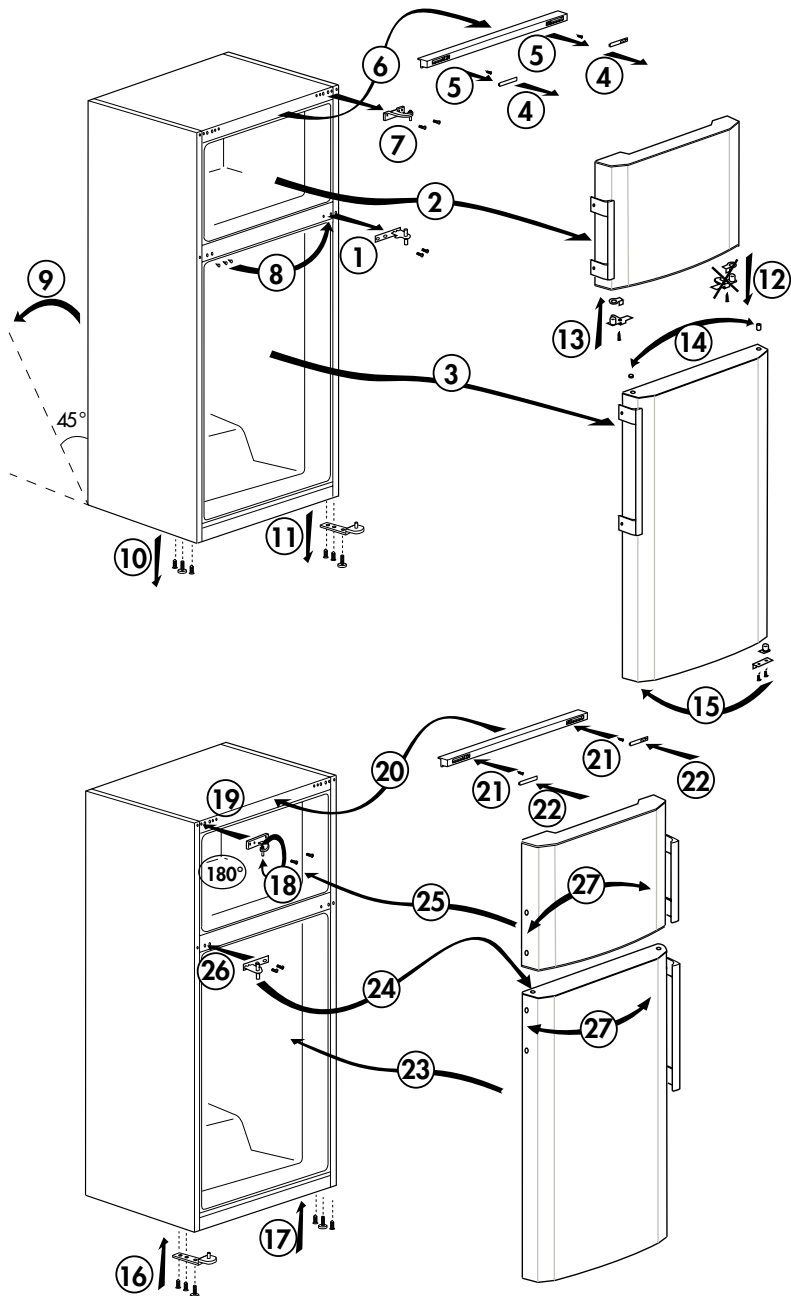
2- Use a flat tipped screwdriver to remove the light diffuser cover.

3- First check that the bulb hasn't worked loose by ensuring it is screwed securely in the holder. Replace the plug and switch on.

If the bulb works, replace the light

Reversing the doors

Proceed in numerical order.

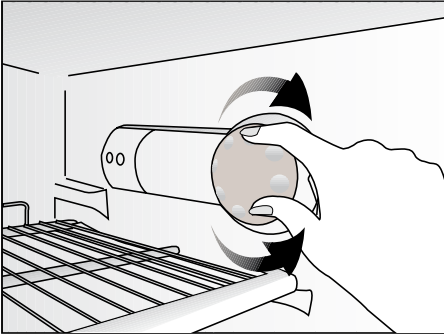


4 Preparation

- i** Your refrigerator should be installed at least 30 cm away from heat sources such as hobs, ovens, central heater and stoves and at least 5 cm away from electrical ovens and should not be located under direct sunlight.
- i** The ambient temperature of the room where you install your refrigerator should at least be 10°C. Operating your refrigerator under cooler conditions than this is not recommended with regard to its efficiency.
- i** Please make sure that the interior of your refrigerator is cleaned thoroughly.
- i** If two refrigerators are to be installed side by side, there should be at least 2 cm distance between them.
- i** When you operate your refrigerator for the first time, please observe the following instructions during the initial six hours.
 - The door should not be opened frequently.
 - It must be operated empty without any food in it.
 - Do not unplug your refrigerator. If a power failure occurs out of your control, please see the warnings in the “Recommended solutions for the problems” section.
- i** Original packaging and foam materials should be kept for future transportations or moving.

5 Using your refrigerator

Thermostat setting button

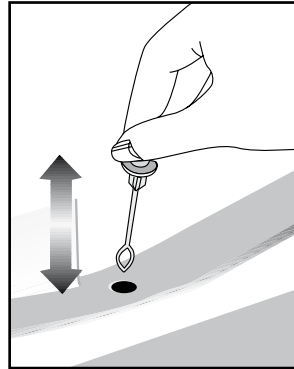


The interior temperature of your refrigerator changes for the following reasons;

- Seasonal temperatures,
- Frequent opening of the door and leaving the door open for long periods,
- Food put into the refrigerator without cooling down to the room temperature,
- The location of the refrigerator in the room (e.g. exposing to sunlight).
- You may adjust the varying interior temperature due to such reasons by using the thermostat. Numbers around the thermostat button indicates the cooling degrees.
- If the ambient temperature is higher than 32°C, turn the thermostat button to maximum position.
- If the ambient temperature is lower than 25°C, turn the thermostat button to minimum position.

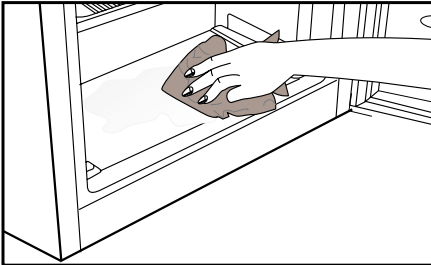
Defrost

Fridge compartment performs full-automatic defrosting. Water resulting from the defrosting passes from the water collection groove and flows into the evaporator through the drain pipe and evaporates here by itself.



- Check regularly to see if the drain pipe is clogged or not and clear it with the stick in the hole when necessary.
- Deep freezer compartment does not perform automatic defrosting in order to prevent decaying of the frozen food.
- Frost formation in the freezer compartment must be defrosted every 6 months. It is recommended to defrost the ice when the deep freezer compartment is not filled too much or is empty.
- To do this, wrap the frozen food by paper and keep them in the coolest place possible or in another refrigerator if available.

- Stop your refrigerator by means of the temperature setting button or unplug the power cord from the outlet. You can place a container filled with hot water into the freezer compartment or leave the door of the freezer compartment open in order to hasten the defrosting.
- Remove the water that accumulates in the lower container of the freezer compartment with an absorbent cloth or sponge.
- Dry the freezer compartment completely and return the temperature setting button to its previous position.
- Operate your refrigerator for 2 hours while it is empty and its doors are closed before replacing your food into the deep freezer.



Stopping your product

If your thermostat is equipped with “0” position:

- Your product will stop operating when you turn the thermostat button to “0” (zero) position. Your product will not start unless to you turn the thermostat button to position “1” or one of the other positions again.

If your thermostat is equipped with “min” position:

- Unplug your product to stop it.

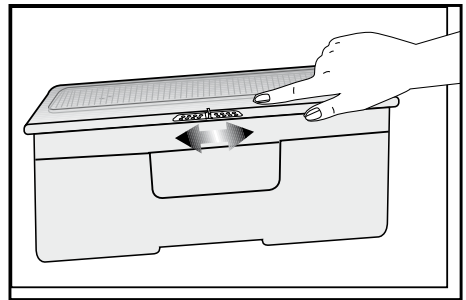
Crisper humidity control sliders

Using the crisper humidity control sliders

Crisper of your refrigerator is designed specially to keep your vegetables fresh without losing their humidity. Cold air circulates basically around the crisper and the amount of the cold air passing through the crisper is controlled by the sliders on the front side of the crisper cover.

You can adjust the humidity control sliders to a suitable position according to the humidity and cooling condition of your food in the crisper.

If you want your food in the crisper to cool more, open the holes of the humidity control sliders and if you want them to cool less and keep their humidity for a longer time, close the holes.



6 Maintenance and cleaning

- ⚠ Never use gasoline, benzene or similar substances for cleaning purposes.
- ⚠ We recommend that you unplug the appliance before cleaning.
- 🔧 Never use any sharp abrasive instrument, soap, household cleaner, detergent and wax polish for cleaning.
- 🔧 Use lukewarm water to clean the cabinet of your refrigerator and wipe it dry.
- 🔧 Use a damp cloth wrung out in a solution of one teaspoon of bicarbonate of soda to one pint of water to clean the interior and wipe it dry.
- ⚠ Make sure that no water enters the lamp housing and other electrical items.
- ⚠ If your refrigerator is not going to be used for a long period of time, unplug the power cable, remove all food, clean it and leave the door ajar.
- 🔧 Check door seals regularly to ensure they are clean and free from food particles.
- 🔧 To remove door racks, remove all the contents and then simply push the door rack upwards from the base.

Protection of plastic surfaces

- 🔧 Do not put the liquid oils or oil-cooked meals in your refrigerator in unsealed containers as they damage the plastic surfaces of your refrigerator. In case of spilling or smearing oil on the plastic surfaces, clean and rinse the relevant part of the surface at once with warm water.

7 Recommended solutions for the problems

Please review this list before calling the service. It might save you time and money. This list includes frequent complaints that are not arising from defective workmanship or material usage. Some of the features described here may not exist in your product.

The refrigerator does not operate
<ul style="list-style-type: none">• Is the refrigerator properly plugged in? Insert the plug to the wall socket.• Is the fuse of the socket which your refrigerator is connected to or the main fuse blown out? Check the fuse.
Condensation on the side wall of the fridge compartment. (MULTI ZONE, COOL CONTROL ve FLEXI ZONE)
<ul style="list-style-type: none">• Very cold ambient conditions. Frequent opening and closing of the door. Highly humid ambient conditions. Storage of food containing liquid in open containers. Leaving the door ajar.• Switching the thermostat to a colder degree.• Decreasing the time the door left open or using it less frequently.• Covering the food stored in open containers with a suitable material.• Wipe the condensation using a dry cloth and check if it persists.
Compressor is not running
<ul style="list-style-type: none">• Protective thermic of the compressor will blow out during sudden power failures or plug-out plug-ins as the refrigerant pressure in the cooling system of the refrigerator has not been balanced yet.• Your refrigerator will start running approximately after 6 minutes. Please call the service if your refrigerator does not startup at the end of this period.• The fridge is in defrost cycle. This is normal for a full-automatically defrosting refrigerator. Defrosting cycle occurs periodically.• Your refrigerator is not plugged into the socket. Make sure that he plug is inserted tightly to the wall socket.• Are the temperature adjustments correctly made? There is a power failure. Call your electricity supplier.
The fridge is running frequently or for a long time.

- Your new refrigerator may be wider than the previous one. This is quite normal. Large refrigerators operate for a longer period of time.
- The ambient room temperature may be high. This is quite normal.
- The refrigerator might have been plugged in recently or might have been loaded with food. Cooling down of the refrigerator completely may last for a couple of hours longer.
- Large amounts of hot food might have been put in the refrigerator recently. Hot food causes longer running of the refrigerator until they reach the safe storage temperature.
- Doors might have been opened frequently or left ajar for a long time. The warm air that has entered into the refrigerator causes the refrigerator to run for longer periods. Open the doors less frequently.
- Freezer or fridge compartment door might have been left ajar. Check if the doors are tightly closed.
- The refrigerator is adjusted to a very low temperature. Adjust the refrigerator temperature to a warmer degree and wait until the temperature is achieved.
- Door seal of the fridge or freezer may be soiled, worn out, broken or not properly seated. Clean or replace the seal. Damaged/broken seal causes the refrigerator to run for a longer period of time in order to maintain the current temperature.

Freezer temperature is very low while the fridge temperature is sufficient.

- The freezer temperature is adjusted to a very low temperature. Adjust the freezer temperature to a warmer degree and check.

Fridge temperature is very low while the freezer temperature is sufficient.

- The fridge temperature is adjusted to a very low temperature. Adjust the fridge temperature to a warmer degree and check.

Food kept in the fridge compartment drawers are freezing.

- The fridge temperature is adjusted to a very low temperature. Adjust the fridge temperature to a warmer degree and check.

Temperature in the fridge or freezer is very high.

- The fridge temperature is adjusted to a very high degree. Fridge adjustment has an effect on the temperature of the freezer. Change the temperature of the fridge or freezer until the fridge or freezer temperature reaches to a sufficient level.
- The door might be left ajar. Close the door completely.
- Large amounts of hot food might have been put in the refrigerator recently. Wait until the fridge or freezer reaches the desired temperature.
- Refrigerator might have been plugged in recently. Cooling down of the refrigerator completely takes time because of the size.

Noise similar to the sound of seconds heard from an analog clock is coming from the refrigerator.

<ul style="list-style-type: none"> This noise is coming from the solenoid valve of the refrigerator. Solenoid valve functions for the purpose of ensuring coolant passage through the compartment which can be adjusted to cooling or freezing temperatures, and performing cooling functions. This is normal and is not fault cause.
The operation noise increases when the refrigerator is running.
<ul style="list-style-type: none"> The operating performance characteristics of the refrigerator may change according to the changes in the ambient temperature. It is normal and not a fault.
Vibrations or noise.
<ul style="list-style-type: none"> The floor is not even or it is weak. The refrigerator rocks when moved slowly. Make sure that the floor is level, strong and capable to carry the refrigerator. The noise may be caused by the items put onto the refrigerator. Such items should be removed from the top of the refrigerator.
There are noises like liquid spilling or spraying.
<ul style="list-style-type: none"> Liquid and gas flows happen in accordance with the operating principles of your refrigerator. It is normal and not a fault.
There is a noise like wind blowing.
<ul style="list-style-type: none"> Air activators (fans) are used in order to allow the refrigerator to cool efficiently. It is normal and not a fault.
Condensation on the inner walls of refrigerator.
<ul style="list-style-type: none"> Hot and humid weather increases icing and condensation. It is normal and not a fault. The doors are ajar. Make sure that the doors are closed completely. Doors might have been opened very frequently or they might have been left open for along time. Open the door less frequently.
Humidity occurs on the outside of the refrigerator or between the doors.
<ul style="list-style-type: none"> The weather may be humid. This is quite normal in humid weather. When the humidity is less, condensation will disappear.
Bad odor inside the refrigerator.
<ul style="list-style-type: none"> Inside of the refrigerator must be cleaned. Clean the inside of the refrigerator with a sponge, warm water or carbonated water. Some containers or packaging materials might be causing the smell. Use a different container or different brand packaging material.
The door(s) is (are) not closing.
<ul style="list-style-type: none"> Food packages may prevent the door's closing. Replace the packages that are obstructing the door. The refrigerator is probably not completely vertical on the floor and it might be rocking when slightly moved. Adjust the elevation screws. The floor is not level or strong. Make sure that the floor is level and capable to carry the refrigerator.
Crispers are stuck.
<ul style="list-style-type: none"> The food might be touching the ceiling of the drawer. Rearrange food in the drawer.

Bitte lesen Sie zuerst diese Anleitung!

Sehr geehrte Kundin, sehr geehrter Kunde,

Wir sind sicher, dass Ihnen dieses Produkt, das in modernsten Fertigungsstätten hergestellt und den strengsten Qualitätsprüfungen unterzogen wurde, lange Zeit gute Dienste leisten wird.

Wir empfehlen Ihnen, vor Inbetriebnahme des Gerätes das gesamte Handbuch durchzulesen und es anschließend aufzubewahren.

Diese Anleitung...




... hilft Ihnen, Ihr Gerät schnell und sicher bedienen zu können.

- Lesen Sie die Anleitung, bevor Sie Ihr Produkt aufstellen und bedienen.
- Halten Sie sich an die Anweisungen, beachten Sie insbesondere die Sicherheitshinweise.
- Bewahren Sie die Anleitung an einem leicht zugänglichen Ort auf, damit Sie jederzeit darin nachschlagen können.
- Lesen Sie auch die weiteren Dokumente, die mit Ihrem Produkt geliefert wurden.

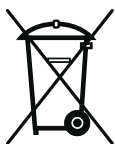
Bitte beachten Sie, dass diese Anleitung eventuell auch für andere Geräte eingesetzt werden kann.

Symbole und ihre Bedeutung

In dieser Anleitung finden Sie die folgenden Symbole:

-  Wichtige Informationen oder nützliche Tipps.
-  Warnung vor Verletzungen oder Beschädigungen.
-  Warnung vor elektrischem Strom.

Recycling



Dieses Produkt ist mit dem selektiven Entsorgungssymbol für elektrische und elektronische Altgeräte (WEEE) gekennzeichnet.

Das bedeutet, dass dieses Produkt gemäß der europäischen Richtlinie 2002/96/EC gehandhabt werden muss, um mit nur minimalen umweltspezifischen Auswirkungen recycelt oder zerlegt werden zu können. Weitere Informationen erhalten Sie von Ihren regionalen Behörden.

Elektronikprodukte, die nicht durch den selektiven Entsorgungsvorgang erfasst werden, stellen durch das Vorhandensein potenziell gefährlicher Substanzen umwelt- und gesundheitsrelevante Risiken dar.

Inhalt

1 Ihr Kühlschrank 3

2 Wichtige Hinweise zu Ihrer Sicherheit 4

Bestimmungsgemäßer Gebrauch	4
Allgemeine Hinweise zu Ihrer Sicherheit	4
Kinder – Sicherheit	6
HCA-Warnung	7
Dinge, die Sie zum Energiesparen beachten sollten	7

3 Installation 8

Was Sie bei einem weiteren Transport Ihres Kühlschranks beachten müssen	8
Bevor Sie Ihren Kühlschrank einschalten	8
Verpackungsmaterialien entsorgen	9
Altgeräte entsorgen	9
Aufstellung und Installation	9
Füße einstellen.....	10
Austausch der Innenbeleuchtung	10
Türanschlag umkehren.....	11

4 Vorbereitung 12

5 So bedienen Sie Ihren Kühlschrank 13

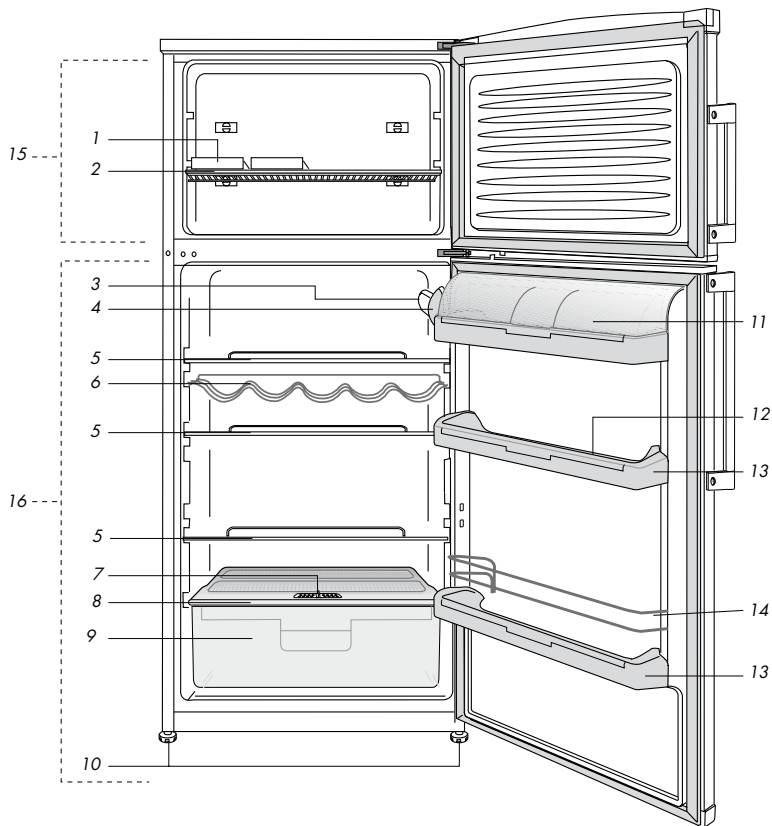
Thermostateinstelltaste	13
Abtauen.....	13
Gemüsefach-Feuchtigkeitsschieber .	14

6 Wartung und Reinigung15

Schutz der Kunststoffflächen	15
------------------------------------	----

7 Empfehlungen zur Problemlösung 16

1 Ihr Kühlschrank



- 1 Eiswürfelschale
- 2.Gefrierfach-Ablage
- 3:Innenbeleuchtung
- 4:Thermostatknopf
- 5.Kühlbereich-Ablagen
- 6-Weinflaschenregal
- 7.Tauwassersammelkanal - Ablaufrohr

- 8.Gemüsefach-Feuchtigkeitssteuerung
- 9.Gemüseladen
- 10.Einstellbare Füße an der Frontseite
- 11.Bereich für Milchprodukte
- 12.Türablage
- 13.Eierbehälter
- 14.Flaschenschutzdraht
- 15.Tiefkühlbereich
- 16.Kühlbereich

! Abbildungen und Angaben in dieser Anleitung sind schematisch und können etwas von Ihrem Produkt abweichen. Falls Teile nicht zum Lieferumfang des erworbenen Produktes zählen, gelten sie für andere Modelle.

2 Wichtige Hinweise zu Ihrer Sicherheit

Bitte lesen Sie die folgenden Hinweise aufmerksam durch. Bei Nichtbeachtung kann es zu Verletzungen und/oder Sachschäden kommen. In diesem Fall erlöschen auch sämtliche Garantie- und sonstigen Ansprüche.

Die reguläre Einsatzzeit des von Ihnen erworbenen Gerätes beträgt 10 Jahre. In diesem Zeitraum halten wir Ersatzteile für das Gerät bereit, damit es stets wie gewohnt arbeiten kann.

Bestimmungsgemäßer Gebrauch

- Dieses Gerät ist zur Nutzung im Haushalt vorgesehen.
- Es sollte nicht im Freien benutzt werden. Es ist nicht für die Nutzung außerhalb des Hauses geeignet, auch wenn die Stelle überdacht ist.

Allgemeine Hinweise zu Ihrer Sicherheit

- Wenn Sie das Gerät entsorgen möchten, wenden Sie sich am besten an den autorisierten Kundendienst. Hier erhalten Sie notwendige Informationen und erfahren, welche Stellen für die Entsorgung zuständig sind.
- Bei Problemen und Fragen zum Gerät wenden Sie sich grundsätzlich an den autorisierten Kundendienst. Ziehen Sie keine Dritten zu Rate, versuchen Sie nichts in Eigenregie, ohne den autorisierten Kundendienst davon in Kenntnis zu setzen.
- Der Verzehr von Speiseeis und Eiswürfeln unmittelbar nach der Entnahme aus dem Tiefkühlbereich ist nicht ratsam. (Dies kann zu Erfrierungen führen.)

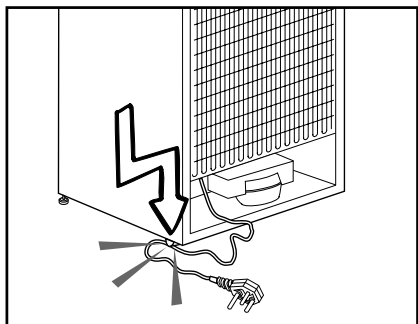
- Bewahren Sie Getränke in Flaschen und Dosen niemals im Tiefkühlbereich auf. Diese platzen.
- Berühren Sie gefrorene Lebensmittel nicht mit der Hand; sie können festfrieren.
- Verwenden Sie niemals Dampf- oder Sprühreiniger zum Reinigen und Abtauen Ihres Kühlschranks. Die Dämpfe oder Nebel können in Kontakt mit stromführenden Teilen geraten und Kurzschlüsse oder Stromschläge auslösen.
- Missbrauchen Sie niemals Teile Ihres Kühlschranks (z. B. Tür) als Befestigungen oder Kletterhilfen.
- Nutzen Sie keine elektrischen Geräte innerhalb des Kühlschranks.
- Achten Sie darauf, den Kühlkreislauf keinesfalls mit Bohr- oder Schneidwerkzeugen zu beschädigen. Das Kühlmittel kann herausspritzen, wenn die Gaskanäle des Verdunsters, Rohr- und Schlauchleitungen oder Oberflächenversiegelungen beschädigt werden. Dies kann zu Hautreizungen und Augenverletzungen führen.
- Decken Sie keinerlei Belüftungsöffnungen des Kühlschranks ab.
- Reparaturen an Elektrogeräten dürfen nur von qualifizierten Fachleuten ausgeführt werden. Reparaturen durch weniger kompetente Personen können erhebliche Gefährdungen des Anwenders verursachen.
- Sollten Fehler oder Probleme während der Wartung oder Reparaturarbeiten auftreten, so trennen Sie den Kühlschrank von

der Stromversorgung, indem Sie die entsprechende Sicherung abschalten oder den Netzstecker ziehen.

- Ziehen Sie niemals am Netzkabel – ziehen Sie direkt am Stecker.
- Lagern Sie hochprozentige alkoholische Getränke gut verschlossen und aufrecht.
- Bewahren Sie in dem Gerät niemals entflammbare oder explosive Produkte auf oder solche, die entflammbare oder explosive Gase (z. B. Spray) enthalten.
- Verwenden Sie ausschließlich vom Hersteller empfohlene Geräte oder sonstige Mittel zum Beschleunigen des Abtaugvorgangs. Benutzen Sie nichts anderes.
- Dieses Gerät darf nicht von Personen (einschließlich Kindern) mit eingeschränkten physischen, sensorischen oder geistigen Fähigkeiten bedient werden. Dies gilt auch für in Bezug auf das Gerät unerfahrene Personen, sofern diese nicht beaufsichtigt oder von einer verantwortlichen Person gründlich in die Bedienung des Gerätes eingewiesen wurden.
- Nehmen Sie einen beschädigten Kühlschranks nicht in Betrieb. Bei Zweifeln wenden Sie sich bitte an den Kundendienst.
- Die elektrische Sicherheit des Gerätes ist nur dann gewährleistet, wenn das hausinterne Erdungssystem den zutreffenden Normen entspricht.
- Setzen Sie das Gerät keinem Regen, Schnee, direktem Sonnenlicht oder Wind aus, da dies die elektrische Sicherheit gefährden kann.
- Bei Beschädigungen von Netzkabeln und ähnlichen Dingen wenden

Sie sich an den autorisierten Kundendienst, damit es nicht zu Gefährdungen kommt.

- Stecken Sie während der Installation niemals den Netzstecker ein. Andernfalls kann es zu schweren bis tödlichen Verletzungen kommen.
- Dieses Tiefkühlgerät dient nur zur Aufbewahrung von Lebensmitteln. Für andere Zwecke sollte es nicht verwendet werden.
- Das Schild mit der Beschreibung der technischen Daten des Produkts befindet sich innen links im Tiefkühler.
- Schließen Sie den Tiefkühler nicht an elektronische Energiesparsysteme an, da sonst das Produkt beschädigt werden kann.
- Wenn der Tiefkühler ein blaues Licht zeigt, sehen Sie nicht durch die blauen optischen Teile.
- Wenn die Stromversorgung bei manuell gesteuerten Tiefkühlgeräten abgeschaltet ist, warten Sie bitte mindestens 5 Minuten, bevor Sie den Strom wieder einschalten.
- Diese Bedienungsanleitung sollte bei Besitzerwechsel dem nächsten Besitzer übergeben werden.
- Wenn Sie den Tiefkühler bewegen, stellen Sie sicher, dass Sie das Stromkabel nicht beschädigen. Um Feuer zu vermeiden, verdrehen Sie das Stromkabel nicht. Schwere Objekte sollten nicht auf das Stromkabel gestellt werden. Wenn der Tiefkühler angeschlossen ist, fassen Sie den Stecker nicht mit nassen Händen an.



- Schließen Sie den Tiefkühler nicht an, wenn die Steckdose lose sitzt.
- Spritzen Sie aus Sicherheitsgründen kein Wasser direkt auf oder in den Tiefkühler.
- Sprühen Sie keine entflammaren Stoffe, wie Propangas usw. in die Nähe des Tiefkühlers. Es besteht Feuer- und Explosionsgefahr.
- Stellen Sie keine mit Wasser gefüllten Objekte auf den Tiefkühler. Ein Kurzschluss oder Feuer könnte die Folge sein.
- Überladen Sie den Tiefkühler nicht. Wenn der Tiefkühler zu voll ist, können Lebensmittel herausfallen. Sie könnten Verletzungen erleiden und der Tiefkühler könnte beschädigt werden. Stellen Sie keine Objekte auf den Tiefkühler. Die Objekte könnten beim Öffnen oder Schließen der Tür herunterfallen.
- Materialien, die bestimmte Temperaturen erfordern, wie z.B. Impfstoffe, temperaturempfindliche Medikamente, wissenschaftliche Materialien usw. dürfen nicht im Tiefkühler aufbewahrt werden.
- Wenn der Tiefkühler eine längere Zeit nicht benutzt wird, sollte er von der Stromversorgung getrennt werden. Ein Problem bei der Isolierung des

Kabels könnte ein Feuer verursachen.

- Die Spitze des Steckers sollte regelmäßig gereinigt werden, um ein Feuer zu vermeiden.
- Der Tiefkühler kann sich bewegen, wenn die verstellbaren Füße nicht fest auf dem Boden stehen. Mit den verstellbaren Füßen können Sie den Tiefkühler fest am Boden positionieren.
- Wenn der Tiefkühler einen Türgriff hat, ziehen Sie den Tiefkühler nicht am Türgriff wenn Sie ihn bewegen, da sich der Griff sonst vom Gerät lösen kann.
- Falls das Gerät in unmittelbarer Nähe eines anderen Kühlgerätes aufgestellt werden muss, achten Sie unbedingt darauf, dass zwischen den Geräten mindestens 8 cm Abstand verbleiben. Andernfalls kann es zu Feuchtigkeitsniederschlag an benachbarten Flächen kommen.
- • Der Wasserdruck muss mindestens 1 bar betragen. Der Wasserdruck darf 8 bar nicht überschreiten.
- Nur Trinkwasser verwenden.

Kinder – Sicherheit

- Bei abschließbaren Türen bewahren Sie den Schlüssel außerhalb der Reichweite von Kindern auf.
- Kinder sollten grundsätzlich beaufsichtigt werden, damit sie nicht mit dem Gerät spielen.

HCA-Warnung

Sofern Ihr Gerät mit dem Kühlmittel R600a arbeitet:

Dieses Gas ist leicht entflammbar.

Achten Sie also darauf, Kühlkreislauf und Leitungen während Betrieb und Transport nicht zu beschädigen.

Bei Beschädigungen halten Sie das Produkt von potenziellen Zündquellen (z. B. offenen Flammen) fern und sorgen für eine gute Belüftung des Raumes, in dem das Gerät aufgestellt wurde.

Diese Warnung gilt nicht für Sie, wenn Ihr Gerät mit dem Kühlmittel R134a arbeitet.

Das Typenschild links im Innenraum informiert Sie über den in Ihrem Gerät eingesetzten Kühlmitteltyp.

Entsorgen Sie das Gerät niemals durch Verbrennen.

Dinge, die Sie zum Energiesparen beachten sollten

- Halten Sie die Kühlschranktüren nur möglichst kurz geöffnet.
- Lagern Sie keine warmen Speisen oder Getränke im Kühlschrank ein.
- Überladen Sie den Kühlschrank nicht; die Luft muss frei zirkulieren können.
- Stellen Sie den Kühlschrank nicht im direkten Sonnenlicht oder in der Nähe von Wärmequellen wie Öfen, Spülmaschinen oder Heizkörpern auf.
- Achten Sie darauf, Ihre Lebensmittel in verschlossenen Behältern aufzubewahren.
- Sie können besonders viele Lebensmittel im Tiefkühlbereich des Gerätes lagern, wenn Sie zuvor die Ablage oder Schublade im Tiefkühlbereich herausnehmen. Die Energieverbrauchswerte Ihres Kühlschranks wurden bei maximaler Beladung bei herausgenommenen Ablagen oder Schubladen ermittelt. Ansonsten ist es Ihnen freigestellt, die Ablagen oder Schubladen zu verwenden.

3 Installation

⚠ Bitte beachten Sie, dass der Hersteller nicht haftet, wenn Sie sich nicht an die Informationen und Anweisungen der Bedienungsanleitung halten.

Was Sie bei einem weiteren Transport Ihres Kühlschranks beachten müssen

1. Der Kühlschrank muss vor dem Transport geleert und gesäubert werden.
2. Befestigen und sichern Sie Ablagen, Zubehör, Gemüsefach, etc. mit Klebeband, bevor Sie das Gerät neu verpacken.
3. Die Verpackung muss mit kräftigem Klebeband und stabilen Seilen gesichert, die auf der Verpackung aufgedruckten Transporthinweise müssen beachtet werden.

Vergessen Sie nicht...

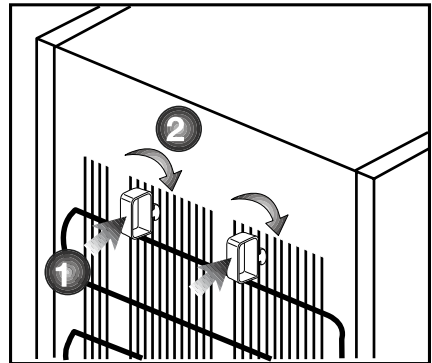
Jeder wiederverwendete Artikel stellt eine unverzichtbare Hilfe für unsere Natur und unsere Ressourcen dar. Wenn Sie zur Wiederverwertung von Verpackungsmaterialien beitragen möchten, können Sie sich bei Umweltschutzvereinigungen und Ihren Behörden vor Ort informieren.

Bevor Sie Ihren Kühlschrank einschalten

Bevor Sie Ihren Kühlschrank in Betrieb nehmen, beachten Sie bitte Folgendes:

1. Ist der Innenraum des Kühlschranks trocken, kann die Luft frei an der Rückseite zirkulieren?
2. Sie können die beiden Kunststoffkeile wie in der Abbildung gezeigt anbringen. Die Kunststoffkeile sorgen für den richtigen Abstand zwischen Kühlschrank und Wand - und damit

für die richtige Luftzirkulation. (Die Abbildung dient lediglich zur Orientierung und muss nicht exakt mit Ihrem Gerät übereinstimmen.)



3. Reinigen Sie das Innere des Kühlschranks wie im Abschnitt „Wartung und Reinigung“ beschrieben.
4. Stecken Sie den Netzstecker des Kühlschranks in eine Steckdose. Wenn die Kühlbereichtür geöffnet wird, schaltet sich das Licht im Inneren ein.
5. Sie hören ein Geräusch, wenn sich der Kompressor einschaltet. Die Flüssigkeiten und Gase im Kühlsystem können auch leichte Geräusche erzeugen, wenn der Kompressor nicht läuft. Dies ist völlig normal.
6. Die Vorderkanten des Kühlgerätes können sich warm anfühlen. Dies ist normal. Diese Bereiche wärmen sich etwas auf, damit sich kein Kondenswasser bildet.

Elektrischer Anschluss

Schließen Sie das Gerät an eine geerdete (Schuko-) Steckdose an. Diese Steckdose muss mit einer passenden Sicherung abgesichert werden.

Wichtig:

- Der Anschluss muss gemäß lokaler Vorschriften erfolgen.
- Der Netzstecker muss nach der Installation frei zugänglich bleiben.
- Die angegebene Spannung muss mit Ihrer Netzspannung übereinstimmen.
- Zum Anschluss dürfen keine Verlängerungskabel oder Mehrfachsteckdosen verwendet werden.

⚠ Ein beschädigtes Netzkabel muss unverzüglich durch einen qualifizierten Elektriker ausgetauscht werden.

⚠ Das Gerät darf vor Abschluss der Reparaturen nicht mehr betrieben werden! Es besteht Stromschlaggefahr!

Verpackungsmaterialien entsorgen

Das Verpackungsmaterial kann eine Gefahr für Kinder darstellen. Halten Sie Verpackungsmaterialien von Kindern fern oder entsorgen Sie das Verpackungsmaterial gemäß den gültigen Entsorgungsbestimmungen. Entsorgen Sie Verpackungsmaterialien nicht mit dem regulären Hausmüll. Die Verpackung Ihres Gerätes wurde aus recyclingfähigen Materialien hergestellt.

Altgeräte entsorgen

Entsorgen Sie Altgeräte auf umweltfreundliche Weise.

- Bei Fragen zur richtigen Entsorgung wenden Sie sich bitte an Ihren Händler, an eine Sammelstelle oder an Ihre Stadtverwaltung.

Bevor Sie das Gerät entsorgen, schneiden Sie den Netzstecker ab und machen die Türverschlüsse (sofern vorhanden) unbrauchbar, damit Kinder nicht in Gefahr gebracht werden.

Aufstellung und Installation

⚠ Falls die Tür des Raumes, in dem der Kühlschrank aufgestellt werden soll, nicht breit genug ist, wenden Sie sich an den autorisierten Kundendienst, lassen die Kühlschranktüren demontieren und befördern das Gerät seitlich durch die Tür.

1. Stellen Sie Ihren Kühlschrank an einer gut erreichbaren Stelle auf.
2. Platzieren Sie den Kühlschrank nicht in der Nähe von Wärmequellen oder dort, wo er Feuchtigkeit oder direktem Sonnenlicht ausgesetzt ist.
3. Damit das Gerät richtig arbeiten kann, müssen Sie ausreichend Platz um das Gerät herum freilassen, damit eine ordentliche Belüftung gewährleistet ist.

Wenn Sie den Kühlschrank in einer Nische aufstellen, müssen Sie einen Abstand von mindestens 5 cm zur Decke und 5 cm zu den Wänden einhalten.

Wenn Sie das Gerät auf einem Teppich oder Teppichboden aufstellen, müssen Sie einen Abstand von mindestens 2,5 cm zum Boden einhalten.

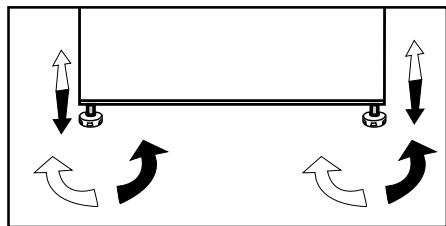
4. Stellen Sie Ihren Kühlschrank auf einem ebenen Untergrund auf, damit er nicht wackelt.

5. Stellen Sie den Kühlschrank nicht an Stellen auf, an denen Temperaturen von weniger als 10 °C herrschen.

FüÙe einstellen

Wenn Ihr Kühlschrank nicht absolut gerade steht;

Sie können den Kühlschrank – wie in der Abbildung gezeigt – durch Drehen der FrontfüÙe ausbalancieren. Wenn Sie in Richtung des schwarzen Pfeils drehen, senkt sich die Ecke, an der sich der Fuß befindet. Beim Drehen in Gegenrichtung wird die Ecke angehoben. Diese Arbeit fällt erheblich leichter, wenn ein Helfer das Gerät etwas anhebt.



Austausch der Innenbeleuchtung

Wenn die Lampe nicht funktioniert, gehen Sie wie folgt vor:

1- Schalten Sie das Gerät aus und ziehen Sie den Netzstecker ab.

Zur besseren Erreichbarkeit der Lampe, können Sie einige Regale entfernen.

2- Benutzen Sie, zum Entfernen der Abdeckung, einen flachen Schraubendreher.

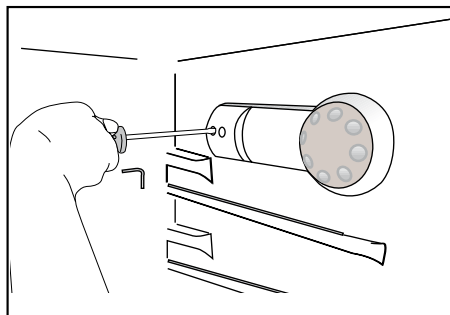
3- Überprüfen Sie, dass sich die Lampe nicht gelöst hat und fest in der Halterung sitzt. Stecken Sie den Netzstecker wieder ein und schalten Sie das Gerät ein.

Wenn die Lampe jetzt funktioniert, setzen Sie die Abdeckung wieder auf.

4- Wenn die Lampe nicht funktioniert, schalten Sie das Gerät wieder aus und ziehen Sie den Netzstecker ab. Ersetzen Sie die Glühbirne mit einer maximal 15 Watt starken Schraubglühbirne (SES).

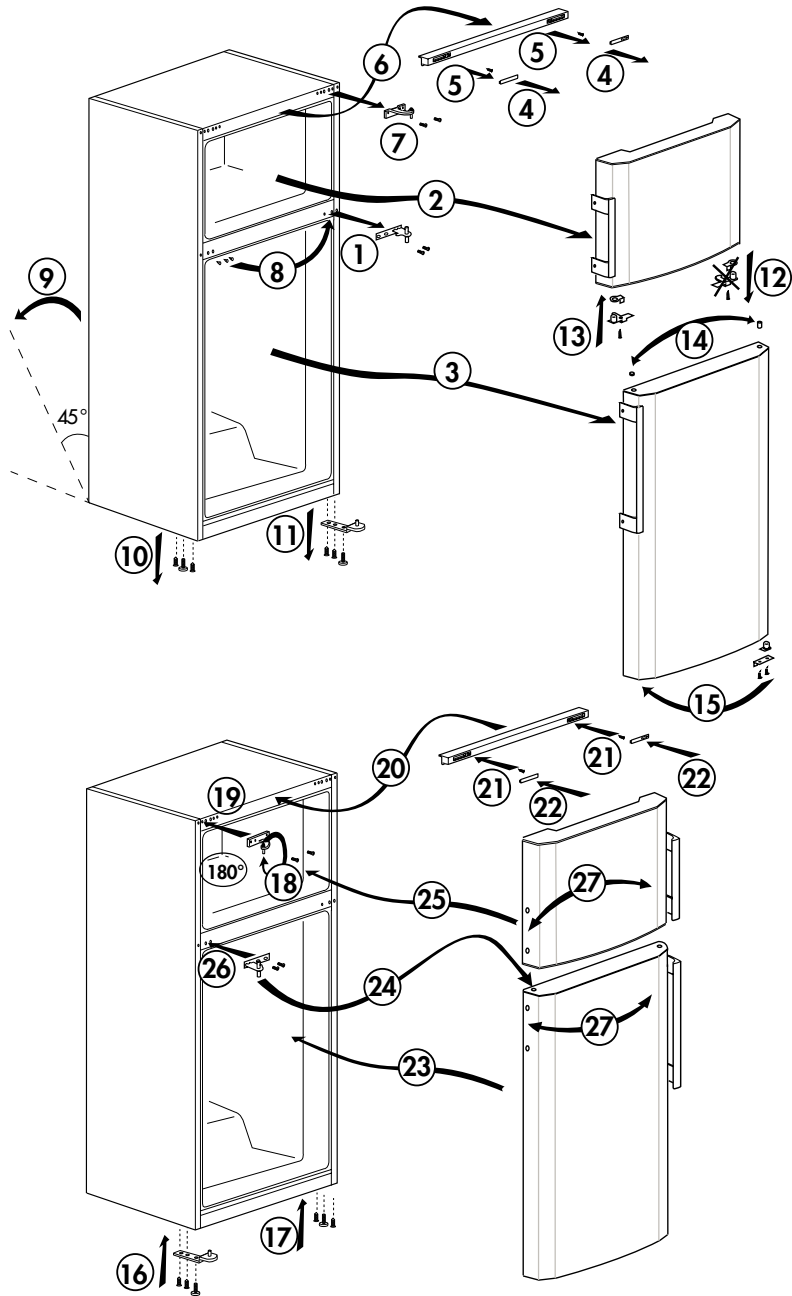
5- Entsorgen Sie die kaputte Lampe sofort.

Ersatzlampen erhalten Sie in jedem guten Elektrowarengeschäft.



Türanschlag umkehren

Gehen Sie der Reihe nach vor.

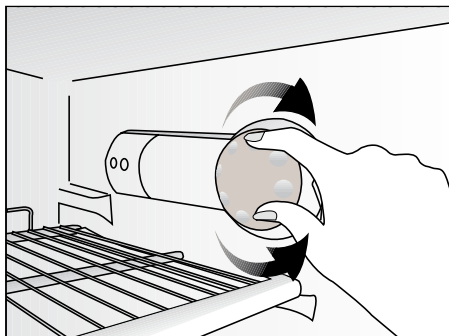


4 Vorbereitung

- i** Ihr Kühlschrank sollte mindestens 30 cm von Hitzequellen wie Kochstellen, Öfen, Heizungen, Herden und ähnlichen Einrichtungen aufgestellt werden. Halten Sie mindestens 5 cm Abstand zu Elektroöfen ein, vermeiden Sie die Aufstellung im direkten Sonnenlicht.
- i** Die Zimmertemperatur des Raumes, in dem der Kühlschrank aufgestellt wird, sollte mindestens 10 °C betragen. Im Hinblick auf den Wirkungsgrad ist der Betrieb des Kühlschranks bei geringerer Umgebungstemperatur nicht ratsam.
- i** Sorgen Sie dafür, dass das Innere Ihres Kühlschranks gründlich gereinigt wird.
- i** Falls zwei Kühlschränke nebeneinander platziert werden sollen, achten Sie darauf, dass sie mindestens 2 cm voneinander entfernt aufgestellt werden.
- i** Wenn Sie den Kühlschrank zum ersten Mal in Betrieb nehmen, halten Sie sich bitte an die folgenden Anweisungen für die ersten sechs Betriebsstunden.
 - Die Kühlschranktür sollte nicht zu häufig geöffnet werden.
 - Der Kühlschrank muss zunächst vollständig leer arbeiten.
 - Ziehen Sie nicht den Netzstecker.Falls der Strom ausfallen sollte, beachten Sie die Warnhinweise im Abschnitt „Empfehlungen zur Problemlösung“.
- i** Originalverpackung und Schaumstoffmaterialien sollten zum zukünftigen Transport des Gerätes aufbewahrt werden.

5 So bedienen Sie Ihren Kühlschrank

Thermostateinstelltaste

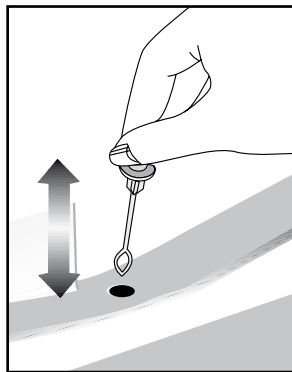


Die Innentemperatur Ihres Kühlschranks hängt teilweise von folgenden Einflüssen ab:

- Umgebungstemperatur
- Häufigkeit der Türöffnungen, Offenstehen der Tür über längere Zeit
- Einlagern von Lebensmitteln, ohne diese zuvor auf Raumtemperatur abkühlen zu lassen
- Platzierung des Kühlschranks innerhalb des Raumes (z. B. im direkten Sonnenlicht).
- Zum Anpassen der Innentemperatur an solche Einflüsse benutzen Sie das Thermostat. Die Zahlen rund um die Thermostateinstelltaste zeigen die Kühlungsleistung an.
- Falls die Umgebungstemperatur mehr als 32 °C beträgt, wählen Sie die höchstmögliche Thermostateinstellung.
- Sofern die Umgebungstemperatur weniger als 25 °C beträgt, wählen Sie die geringste Thermostateinstellung.

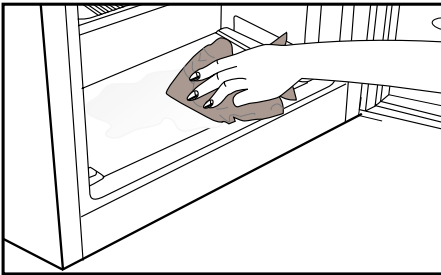
Abtauen

Der Kühlbereich taut vollautomatisch ab. Beim Abtauen läuft das Tauwasser in die Ablaufrinne und fließt anschließend zum Verdampfer - hier verdunstet das Wasser automatisch.



- Überzeugen Sie sich regelmäßig davon, dass der Ablauf nicht verstopft ist; beseitigen Sie eventuelle Verstopfungen mit dem Stäbchen.
- Der Tiefkühlbereich wird nicht automatisch abgetaut, da es ansonsten schnell zum Verderben gefrorener Lebensmittel kommen könnte.
- Eisbildung im Tiefkühlbereich muss alle 6 Monate abgetaut werden. Wir empfehlen, das Eis bei kaum gefülltem, am besten bei vollständig leerem Tiefkühlbereich abzutauen.
- Wickeln Sie das Gefriergut in Zeitungspapier ein, lagern Sie es an einem kühlen Platz oder in einem anderen Tiefkühler.

- Stoppen Sie den Tiefkühler mit der Temperaturtaste oder ziehen Sie den Stecker aus der Steckdose. Sie können einen Behälter mit heißem Wasser in den Tiefkühlbereich stellen oder die Tür zum offen lassen, um das Abtauen zu beschleunigen.
- Saugen Sie das Abtauwasser im unteren Behälter des Tiefkühlbereichs mit einem Lappen oder Schwamm auf.
- Trocknen Sie den Tiefkühlbereich und stellen Sie die Temperatur wie gewünscht ein.
- Lassen Sie den Tiefkühler bei geschlossenen Türen 2 Stunden lang leer arbeiten, bevor Sie die Lebensmittel wieder in das Gerät geben.



Gerät stoppen

Bei Thermostaten mit 0-Position:

- Ihr Gerät stoppt, wenn Sie den Thermostatknopf in die 0-Position drehen. Das Gerät läuft erst dann wieder an, wenn Sie den Thermostatknopf wieder auf 1 oder eine höhere Position einstellen.

Bei Thermostaten mit „min“-Position:

- Bitte ziehen Sie zum Abschalten den Netzstecker.

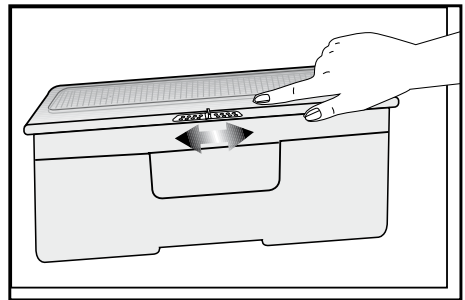
Gemüsefach-Feuchtigkeitsschieber

So benutzen Sie die Gemüsefach-Feuchtigkeitsschieber

Im Gemüsefach Ihres Kühlgerätes bleibt Gemüse länger frisch und behält seine natürliche Feuchtigkeit. Dabei wird kühle Luft durch das Gemüsefach geleitet. Die Luftmenge können Sie durch Schieber an der Vorderseite der Gemüsefachabdeckung regeln.

Je nach Inhalt des Gemüsefachs, Temperatur und Feuchtigkeitsgehalt wählen Sie unterschiedliche Schiebereinstellungen.

Wenn Sie möchten, dass die Lebensmittel im Gemüsefach stärker gekühlt werden, öffnen Sie die Feuchtigkeitsschieber weiter. Falls Sie eine geringere Kühlung wünschen, die Lebensmittel aber ihre Feuchtigkeit möglichst lange behalten sollen, schließen Sie die Öffnungen.



6 Wartung und Reinigung

- ⚠ Verwenden Sie zu Reinigungszwecken niemals Benzin oder ähnliche Substanzen.
- ⚠ Wir empfehlen, vor dem Reinigen den Netzstecker zu ziehen.
- 🔧 Verwenden Sie zur Reinigung niemals scharfe Gegenstände, Seife, Haushaltsreiniger, Waschmittel oder Wachspolituren.
- 🔧 Reinigen Sie das Gehäuse des Gerätes mit lauwarmem Wasser, wischen Sie die Flächen danach trocken.
- ⚠ Zur Reinigung des Innenraums verwenden Sie ein feuchtes Tuch, das Sie in eine Lösung aus 1 Teelöffel Natron und einem halben Liter Wasser getaucht und ausgewrungen haben. Nach dem Reinigen wischen Sie den Innenraum trocken.
- ⚠ Achten Sie darauf, dass kein Wasser in das Lampengehäuse oder andere elektrische Komponenten eindringt.
- ⚠ Wenn Ihr Kühlgerät längere Zeit nicht benutzt wird, ziehen Sie den Netzstecker, nehmen alle Lebensmittel heraus, reinigen das Gerät und lassen die Türe geöffnet.
- 🔧 Kontrollieren Sie die Türdichtungen regelmäßig, um sicherzustellen, dass diese sauber und frei von Speiseresten sind.
- 🔧 Zum Entfernen einer Türablage räumen Sie sämtliche Gegenständen aus der Ablage und schieben diese dann nach oben heraus.

Schutz der Kunststoffflächen

- 🔧 Geben Sie keine Öle oder stark fetthaltige Speisen offen in Ihren Kühlschrank – dadurch können die Kunststoffflächen angegriffen werden. Sollten die Plastikoberflächen einmal mit Öl in Berührung kommen, so reinigen Sie die entsprechenden Stellen umgehend mit warmem Wasser.

7 Empfehlungen zur Problemlösung

Bitte arbeiten Sie diese Liste durch, bevor Sie den Kundendienst anrufen. Das kann Ihnen Zeit und Geld sparen. In der Liste finden Sie häufiger auftretende Probleme, die nicht auf Verarbeitungs- oder Materialfehler zurückzuführen sind. Nicht alle hier beschriebenen Funktionen sind bei jedem Modell verfügbar.

Der Kühlschrank arbeitet nicht
<ul style="list-style-type: none">• Ist der Kühlschrank richtig angeschlossen? Stecken Sie den Netzstecker in die Steckdose.• Ist die entsprechende Haussicherung herausgesprungen oder durchgebrannt? Überprüfen Sie die Sicherung.
Kondensation an den Seitenwänden des Kühlbereiches. (MULTIZONE, KÜHLKONTROLLE, FLEXIZONE)
<ul style="list-style-type: none">• Sehr geringe Umgebungstemperaturen. Häufiges Öffnen und Schließen der Tür. Sehr feuchte Umgebung. Offene Lagerung von feuchten Lebensmitteln. Tür nicht richtig geschlossen.• Kühlere Thermostateinstellung wählen.• Türen kürzer geöffnet halten oder seltener öffnen.• Offene Behälter abdecken oder mit einem geeigneten Material einwickeln.• Kondensation mit einem trockenen Tuch entfernen und überprüfen, ob diese erneut auftritt.
Der Kompressor läuft nicht
<ul style="list-style-type: none">• Eine Schutzschaltung stoppt den Kompressor bei kurzzeitigen Unterbrechungen der Stromversorgung und wenn das Gerät zu oft und schnell ein- und ausgeschaltet wird, da der Druck des Kühlmittels eine Weile lang ausgeglichen werden muss.• Ihr Kühlschrank beginnt nach etwa sechs Minuten wieder zu arbeiten. Bitte wenden Sie sich an den Kundendienst, wenn Ihr Kühlschrank nach Ablauf dieser Zeit nicht wieder zu arbeiten beginnt.• Der Kühlschrank taut ab. Dies ist bei einem vollautomatisch abtauenden Kühlschrank völlig normal. Das Gerät taut von Zeit zu Zeit ab.• Der Netzstecker ist nicht eingesteckt. Überzeugen Sie sich davon, dass der Stecker komplett in die Steckdose eingesteckt ist.• Stimmen die Temperatureinstellungen? Der Strom ist ausgefallen. Wenden Sie sich an Ihren Stromversorger.
Der Kühlschrank arbeitet sehr intensiv oder über eine sehr lange Zeit.

<ul style="list-style-type: none"> • Ihr neuer Kühlschrank ist vielleicht etwas breiter als sein Vorgänger. Dies ist völlig normal. Große Kühlgeräte arbeiten oft längere Zeit. • Die Umgebungstemperatur kann hoch sein. Dies ist normal. • Das Kühlgerät wurde möglicherweise erst vor kurzem in Betrieb genommen oder mit Lebensmitteln gefüllt. Es kann einige Stunden länger dauern, bis der Kühlschrank seine Arbeitstemperatur erreicht hat. • Kurz zuvor wurden größere Mengen warmer Speisen im Kühlschrank eingelagert. Heiße Speisen führen dazu, dass der Kühlschrank etwas länger arbeiten muss, bis die geeignete Temperatur zur sicheren Lagerung erreicht ist. • Türen wurden häufig geöffnet oder längere Zeit nicht richtig geschlossen. Der Kühlschrank muss länger arbeiten, weil warme Luft in den Innenraum eingedrungen ist. Öffnen Sie die Türen möglichst selten. • Die Tür des Kühl- oder Tiefkühlbereichs war nur angelehnt. Vergewissern Sie sich, dass die Türen richtig geschlossen wurden. • Die Kühlschranktemperatur ist sehr niedrig eingestellt. Stellen Sie die Kühlschranktemperatur höher ein und warten Sie, bis die gewünschte Temperatur erreicht ist. • Die Türdichtungen von Kühl- oder Gefrierbereich sind verschmutzt, verschlissen, beschädigt oder sitzen nicht richtig. Reinigen oder ersetzen Sie die Dichtung. Beschädigte oder defekte Dichtungen führen dazu, dass der Kühlschrank länger arbeiten muss, um die Temperatur halten zu können.
Die Temperatur im Tiefkühlbereich ist sehr niedrig, während die Temperatur im Kühlbereich normal ist.
<ul style="list-style-type: none"> • Die Tiefkühltemperatur ist sehr niedrig eingestellt. Stellen Sie die Gefrierfachtemperatur wärmer ein und prüfen Sie.
Die Temperatur im Kühlbereich ist sehr niedrig, während die Temperatur im Tiefkühlbereich normal ist.
<ul style="list-style-type: none"> • Die Kühltemperatur ist sehr niedrig eingestellt. Stellen Sie die Kühlbereichtemperatur wärmer ein und prüfen Sie.
Im Kühlbereich gelagerte Lebensmittel frieren ein.
<ul style="list-style-type: none"> • Die Kühltemperatur ist sehr niedrig eingestellt. Stellen Sie die Kühlbereichtemperatur wärmer ein und prüfen Sie.
Die Temperatur im Kühl- oder Tiefkühlbereich ist sehr hoch.

- Die Kühltemperatur ist sehr hoch eingestellt. Die Einstellung des Kühlbereichs beeinflusst die Temperatur im Tiefkühlbereich. Stellen Sie den Kühl- oder Tiefkühlbereich auf die gewünschte Temperatur ein.
- Die Kühlschranktür ist nur angelehnt. Schließen Sie die Tür komplett.
- Kurz zuvor wurden größere Mengen warmer Speisen im Kühlschrank eingelagert. Warten Sie, bis der Kühl- oder Tiefkühlbereich die gewünschte Temperatur erreicht.
- Der Kühlschrank ist eben erst eingeschaltet worden. Ihr Kühlschrank braucht aufgrund der Größe einige Zeit, um sich auf die gewünschte Temperatur abzukühlen.

Der Kühlschrank gibt Geräusche von sich, die an das Ticken des Sekundenzeigers einer Uhr erinnern.

- Diese Geräusch entsteht durch das Magnetventil des Gerätes. Das Magnetventil sorgt für den richtigen Durchfluss des Kühlmittels; es passt seine Funktion der jeweiligen Situation an. Dies ist völlig normal und keine Fehlfunktion.

Das Betriebsgeräusch nimmt zu, wenn der Kühlschrank arbeitet.

- Das Betriebsverhalten des Kühlgerätes kann sich je nach Umgebungstemperatur ändern. Dies ist völlig normal und keine Fehlfunktion.

Vibrationen oder Betriebsgeräusche.

- Der Boden ist nicht eben oder nicht fest. Der Kühlschrank wackelt, wenn er etwas bewegt wird. Achten Sie darauf, dass der Boden eben, stabil und in der Lage ist, den Kühlschrank problemlos zu tragen.
- Das Geräusch kann durch auf dem Kühlschrank abgestellte Gegenstände entstehen. Nehmen Sie die betreffenden Gegenstände vom Kühlschrank herunter.

Fließ- oder Spritzgeräusche sind zu hören.

- Aus technischen Gründen bewegen sich Flüssigkeiten und Gase innerhalb des Gerätes. Dies ist völlig normal und keine Fehlfunktion.

Windähnliche Geräusche sind zu hören.

- Damit das Gerät möglichst effektiv arbeiten kann, werden Luftumwälzer (Ventilatoren) eingesetzt. Dies ist völlig normal und keine Fehlfunktion.

Kondensation an den Kühlschrankinnenflächen.

<ul style="list-style-type: none"> • Bei heißen und feuchten Wetterlagen tritt verstärkt Eisbildung und Kondensation auf. Dies ist völlig normal und keine Fehlfunktion. • Die Türen sind nicht richtig geschlossen. Achten Sie darauf, dass die Türen komplett geschlossen sind. • Die Türen wurden sehr häufig geöffnet oder längere Zeit offen stehen gelassen. Öffnen Sie die Türen möglichst selten.
Feuchtigkeit sammelt sich an der Außenseite des Kühlschranks oder an den Türen.
<ul style="list-style-type: none"> • Es herrscht hohe Luftfeuchtigkeit. Dies ist bei feuchtem Wetter völlig normal. Die Kondensation verschwindet, sobald die Feuchtigkeit abnimmt.
Unangenehmer Geruch im Kühlschrankinnenraum.
<ul style="list-style-type: none"> • Das Innere des Kühlschranks muss gereinigt werden. Reinigen Sie das Innere des Kühlschranks mit einem Schwamm, den Sie mit warmem oder kohlenstoffhaltigem Wasser angefeuchtet haben. • Bestimmte Behälter oder Verpackungsmaterialien verursachen den Geruch. Verwenden Sie andere Behälter oder Verpackungsmaterial einer anderen Marke.
Die Tür(en) lässt/lassen sich nicht schließen.
<ul style="list-style-type: none"> • Lebensmittelpackungen verhindern eventuell das Schließen der Tür. Entfernen Sie die Verpackungen, welche die Tür blockieren. • Der Kühlschrank ist vermutlich nicht absolut gerade aufgestellt und wackelt, wenn er leicht bewegt wird. Stellen Sie die Höheneinstellschrauben ein. • Der Boden ist nicht eben oder nicht stabil genug. Achten Sie darauf, dass der Boden eben ist und das Gewicht des Kühlschranks problemlos tragen kann.
Das Gemüsefach klemmt.
<ul style="list-style-type: none"> • Die Lebensmittel berühren eventuell den oberen Teil der Schublade. Ordnen Sie die Lebensmittel in der Schublade anders an.

Veillez d'abord lire la notice d'utilisation !

Chère cliente, cher client,

Nous espérons que votre produit, qui a été fabriqué dans des usines modernes et vérifié au terme des procédures de contrôle de qualité les plus méticuleuses, vous aidera efficacement.

Pour cette raison, nous vous conseillons de lire attentivement tout le manuel d'utilisation de votre produit avant de vous en servir, et de le conserver ensuite pour une utilisation ultérieure.

Le présent manuel


- vous aidera à utiliser votre produit avec rapidité et sécurité.
 - Lisez le manuel avant d'installer et de faire fonctionner votre produit.
 - Respectez les instructions, notamment celles relatives à la sécurité.
 - Conservez ce manuel dans un endroit facilement accessible car vous pouvez en avoir besoin ultérieurement.
 - En plus, lisez également les autres documents fournis avec votre produit.
- Veillez noter que ce manuel peut également être valide pour d'autres modèles.

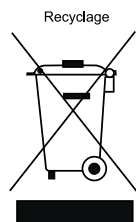
Symboles et descriptions

Vous retrouverez les symboles suivants dans le présent manuel :

 Informations importantes ou astuces.

 Avertissement relatif aux conditions dangereuses pour la vie et la propriété.

 Avertissement relatif à la tension électrique.

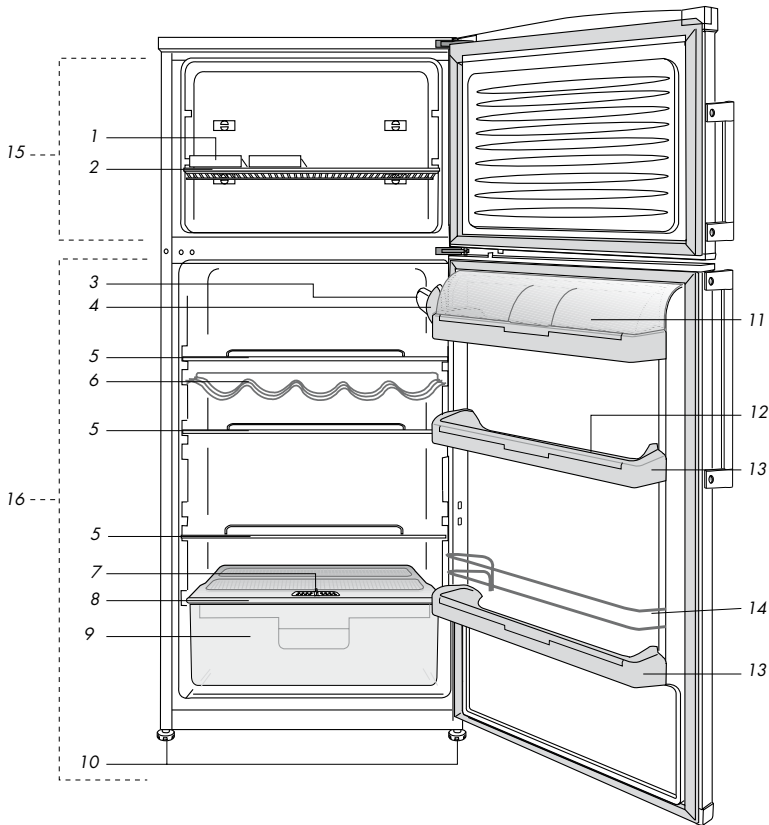


Ce produit est marqué du symbole du tri sélectif, relatif aux déchets d'équipements électriques et électroniques. Cela signifie que ce produit doit être pris en charge par un système de collecte sélectif conformément à la directive européenne 2002/96/CE, afin de pouvoir être recyclé ou démantelé dans le but de réduire tout impact sur l'environnement. Attention les produits électroniques n'ayant pas fait l'objet d'un tri sélectif sont potentiellement dangereux pour l'environnement et la santé humaine en raison de la présence potentielle de substances dangereuses.

Table des matières

1 Votre réfrigérateur	3	4 Préparation	12
2 Précautions importantes pour votre sécurité	4	5 Utilisation de votre réfrigérateur	13
Utilisation prévue	4	Bouton de réglage du thermostat ...	13
Sécurité générale.....	4	Décongélation	13
Sécurité enfants.....	6	Interruption du produit	14
Avertissement HCA	7	Bac à légumes: utilisation des curseurs de réglage de l'humidité (dans certains modèles)	14
Mesures d'économie d'énergie.....	7		
3 Installation	8	6 Entretien et nettoyage	15
Préparation.....	8	Protection des surfaces en plastique.	15
Points à prendre en compte lorsque vous transportez à nouveau votre produit.....	8		
Avant de faire fonctionner votre réfrigérateur	9	7 Solutions recommandées aux problèmes	16
Branchement électrique.....	9		
Mise au rebut de l'emballage	9		
Mise au rebut de votre ancien réfrigérateur	10		
Réglage des pieds.....	10		
Remplacement de l'ampoule intérieure	10		
Réversibilité des portes.....	11		

1 Votre réfrigérateur



- | | |
|---|--|
| 1. Bac à glaçons | 8. Commandes d'humidité du bac à légumes |
| 2. Clayette du congélateur | 9. Bac à légumes |
| 3. Éclairage intérieur | 10. Pieds avant réglables |
| 4. Commande du thermostat | 11. Compartiment produits laitiers |
| 5. Clayettes du compartiment de réfrigération | 12. Balconnet de porte |
| 6. Clayette support bouteille | 13. Casier à œufs |
| 7. Voie de récupération de l'eau de dégivrage - Tube d'écoulement | 14. Porte-bouteilles métallique |
| | 15. Compartiment congélateur |
| | 16. Compartiment réfrigérateur |

ⓘ Les illustrations présentées dans cette notice d'utilisation sont schématiques et peuvent ne pas correspondre exactement à votre produit. Si des pièces présentées ne sont pas comprises dans le produit que vous avez acheté, elles sont valables pour d'autres modèles.

Veillez examiner les informations suivantes: Si elles ne sont pas respectées, des blessures personnelles ou un dommage matériel peut survenir. Sinon, tout engagement lié à la garantie et à la fiabilité du produit devient invalide.

La durée de vie du produit que vous avez acheté est de 10 ans. Il s'agit ici de la période au cours de laquelle vous devez conserver les pièces de rechange nécessaires à son fonctionnement.

Utilisation prévue

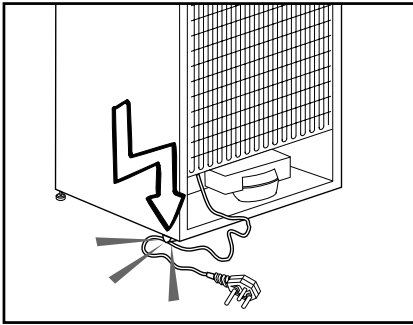
- Cet appareil est destiné à un usage ménager.
- Il ne doit en conséquence pas être utilisé à l'extérieur. Il n'est pas approprié à un usage en extérieurs, même si l'endroit est abrité par un auvent.

Sécurité générale

- Avant de vous débarrasser de votre appareil, veuillez consulter les autorités locales ou votre revendeur pour connaître le mode opératoire et les organismes agréés de collecte.
- Consultez le service après-vente agréé concernant toutes questions ou problèmes relatifs au réfrigérateur. N'intervenez pas ou ne laissez personne intervenir sur le réfrigérateur sans le communiquer au service après-vente agréé.
- Ne mangez pas de cônes de crème glacée ou des glaçons immédiatement après les avoir sortis du compartiment de congélation. (Cela pourrait provoquer des gelures dans votre bouche).

- Ne placez pas de boissons en bouteilles ou en cannettes dans le congélateur. Cela peut entraîner leur éclatement.
- Ne touchez pas des produits congelés avec les mains, ils pourraient se coller à celles-ci.
- La vapeur et des matériaux de nettoyage pulvérisés ne doivent jamais être utilisés pour les processus de nettoyage ou de dégivrage de votre réfrigérateur. La vapeur pourrait pénétrer dans les pièces électriques et provoquer des courts-circuits ou des électrocutions.
- Ne jamais utiliser les pièces de votre réfrigérateur telles que la porte, comme un support ou une marche.
- N'utilisez pas d'appareils électriques à l'intérieur du réfrigérateur.
- N'endommagez pas le circuit de refroidissement où circule le liquide réfrigérant avec des outils de forage ou coupants. Le liquide réfrigérant qui pourrait s'échapper si les canalisations de gaz de l'évaporateur, les rallonges de tuyau ou les revêtements de surface étaient percés, peut irriter la peau et provoquer des blessures aux yeux.
- Ne pas couvrir ou obstruer les orifices de ventilation du réfrigérateur.
- Les réparations de l'appareillage électrique doivent être réalisées par des techniciens qualifiés. Les réparations réalisées par des personnes ne présentant pas les compétences requises peuvent présenter un risque pour l'utilisateur.

- En cas de dysfonctionnement ou lors d'opérations d'entretien ou de réparation, débranchez l'alimentation électrique du réfrigérateur soit en désactivant le fusible correspondant, soit en débranchant l'appareil.
- Ne tirez pas sur le câble lorsque vous débranchez la prise.
- Placez les boissons alcoolisées verticalement, dans des récipients convenablement fermés.
- Les articles inflammables ou les produits contenant des gaz inflammables (par ex. : aérosols) ainsi que les matériaux explosifs ne doivent jamais être conservés dans l'appareil.
- N'utilisez pas d'outils mécaniques ou autres dispositifs pour accélérer le processus de décongélation autres que ceux qui sont recommandés par le fabricant.
- L'utilisation de cet appareil est interdite aux personnes (enfants compris) souffrant de déficience physique, sensorielle, mentale, ou justifiant d'un manque d'expérience à moins d'avoir obtenu une autorisation auprès des personnes responsables de leur sécurité.
- Ne faites pas fonctionner un réfrigérateur endommagé. Consultez le service après-vente en cas de doutes.
- La sécurité électrique du réfrigérateur n'est assurée que si le système de mise à la terre de votre domicile est conforme aux normes en vigueur.
- L'exposition du produit à la pluie, la neige, au soleil ou au vent présente des risques concernant la sécurité électrique.
- Contactez le service après-vente agréé lorsque le câble d'alimentation est endommagé afin d'éviter tout danger.
- Ne branchez jamais le réfrigérateur à la prise murale au cours de l'installation. Vous vous exposeriez à un risque de mort ou à de blessures graves.
- Ce réfrigérateur a été fabriqué uniquement dans le but de conserver les denrées. Par conséquent, il ne doit pas être utilisé à d'autres fins.
- L'étiquette qui décrit les spécifications techniques du produit se trouve sur la partie intérieure gauche du réfrigérateur.
- Évitez d'accrocher le réfrigérateur aux systèmes d'économie d'énergie électronique car ils peuvent endommager le produit.
- Si le réfrigérateur est éclairé par une lumière bleue, évitez de regarder cette lumière bleue à travers des appareils optiques.
- Si l'alimentation électrique est coupée dans un réfrigérateur à commande manuelle, veuillez patienter pendant au moins 5 minutes avant de rétablir la connexion électrique.
- Si le propriétaire du réfrigérateur venait à changer, n'oubliez pas de remettre le présent manuel d'utilisation au nouveau bénéficiaire.
- Veillez à ne pas endommager le câble d'alimentation pendant le transport du réfrigérateur. Afin d'éviter tout risque d'incendie, prenez garde de ne pas tordre le câble d'alimentation. Des objets lourds ne doivent pas être posés sur le câble d'alimentation. Pendant le branchement du réfrigérateur, évitez de tenir la prise de courant avec des mains mouillées.



- Évitez de brancher le réfrigérateur lorsque la prise de courant électrique a lâché.
- Pour des raisons d'ordre sécuritaire, évitez tout contact direct de l'eau avec les parties externes et internes du réfrigérateur.
- En raison des risques d'incendie et d'explosion, évitez de vaporiser des matières inflammables comme le gaz propane à proximité du réfrigérateur.
- Pour éviter tout risque de choc électrique ou d'incendie, évitez de mettre des objets remplis d'eau au-dessus du réfrigérateur.
- Évitez de surcharger le réfrigérateur avec une quantité excessive d'aliments. Le trop-plein d'aliments peut tomber à l'ouverture de la porte, ce qui peut vous blesser ou endommager le réfrigérateur. Évitez de mettre des objets au-dessus du réfrigérateur dans la mesure où ceux-ci peuvent tomber pendant l'ouverture ou la fermeture de la porte du réfrigérateur.
- Les objets nécessitant certaines conditions de conservation comme le vaccin, les médicaments sensibles à la température, les matériels scientifiques, etc., ne doivent pas être

conservés dans le réfrigérateur.

- Débranchez le réfrigérateur si vous n'allez pas vous en servir au cours d'une période prolongée. Un problème survenu au niveau de l'isolation du câble électrique peut donner lieu à un incendie.
- Le bout de la fiche électrique doit être nettoyée régulièrement. Dans le cas contraire, il peut provoquer un incendie.
- Le réfrigérateur peut bouger lorsque les pieds réglables ne sont pas positionnés fermement sur le sol. En ajustant les pieds réglables, vous pouvez savoir lorsque le réfrigérateur est positionné fermement sur le sol.
- Si la porte du réfrigérateur est dotée d'une poignée, évitez de tenir cette poignée pendant le transport de l'appareil car celle-ci est susceptible de se détacher du réfrigérateur.
- Si vous êtes tenu de faire fonctionner votre appareil tout près d'un autre réfrigérateur ou d'un congélateur, veuillez prévoir au moins 8 cm d'écart entre les deux appareils. Dans le cas contraire, il peut y avoir condensation au niveau des parois internes situées les unes en face des autres.
- La pression des tuyaux d'alimentation en eau ne doit pas être en dessous de 1 bar. La pression des tuyaux d'alimentation en eau ne doit pas être au-dessus de 8 bars.
- Utilisez uniquement de l'eau potable.

Sécurité enfants

- Si la porte a un verrouillage, la clé doit rester hors de portée des enfants.
- Les enfants doivent être encadrés afin d'éviter tout jeu avec l'appareil.

Avertissement HCA

Si votre appareil est équipé d'un système de refroidissement contenant R600a :

Ce gaz est inflammable. Par conséquent, veuillez prendre garde à ne pas endommager le système de refroidissement et les tuyauteries lors de son utilisation ou de son transport. En cas de dommages, éloignez votre produit de toute source potentielle de flammes susceptible de provoquer l'incendie de l'appareil. De même, placez le produit dans une pièce aérée.

Ignorez l'avertissement si votre appareil est équipé d'un système de refroidissement contenant R134a.

Vous pouvez voir le gaz été utilisé dans la fabrication de votre appareil sur la plaque signalétique qui se trouve dans la partie intérieure gauche du produit. Ne jamais jeter le produit au feu.

Mesures d'économie d'énergie

- Ne laissez pas les portes du réfrigérateur ouvertes pendant une durée prolongée.
- N'introduisez pas de denrées ou de boissons chaudes dans le réfrigérateur.
- Ne surchargez pas le réfrigérateur pour ne pas obstruer pas la circulation d'air à l'intérieur.
- N'installez pas le réfrigérateur à la lumière directe du soleil ou près d'appareil émettant de la chaleur tels qu'un four, un lave-vaisselle ou un radiateur.
- Veillez à conserver vos denrées dans des récipients fermés.
- Vous pouvez congeler un volume maximal de produits dans le compartiment congélateur de votre appareil après avoir sorti l'étagère ou le tiroir de ce compartiment congélateur. La valeur de consommation énergétique déclarée de votre réfrigérateur a été déterminée lorsque l'étagère ou le tiroir du compartiment congélateur a été sorti sous la charge d'une quantité maximale de denrées. Il n'y aucun risque à utiliser une étagère ou un tiroir en fonction des formes et tailles des denrées à congeler.

3 Installation

- i** Veuillez noter que le fabricant ne pourra être tenu responsable si les informations fournies dans cette notice d'utilisation ne sont pas respectées.

Préparation

- Votre réfrigérateur doit être installé à au moins 30 cm des sources de chaleur telles que les plaques de cuisson, les fours, appareils de chauffage ou cuisinières, et à au moins 5 cm des fours électriques. De même, il ne doit pas être exposé à la lumière directe du soleil.
- La température ambiante de la pièce où vous installez le réfrigérateur doit être d'au moins 10°C. Faire fonctionner l'appareil sous des températures inférieures n'est pas recommandé et pourrait nuire à son efficacité.
- Veuillez vous assurer que l'intérieur de votre appareil est soigneusement nettoyé.
- Si deux réfrigérateurs sont installés côte à côte, ils doivent être séparés par au moins 2 cm.
- Lorsque vous faites fonctionner le réfrigérateur pour la première fois, assurez-vous de suivre les instructions suivantes pendant les six premières heures.
 - La porte ne doit pas être ouverte fréquemment.
 - Le réfrigérateur doit fonctionner à vide, sans denrées à l'intérieur.

- Ne débranchez pas le réfrigérateur. Si une panne de courant se produit, veuillez vous reporter aux avertissements dans la section « Solutions recommandées aux problèmes ».

- L'emballage et les matériaux de protection d'emballage doivent être conservés pour les éventuels transports ou déplacements à venir.

Points à prendre en compte lorsque vous transportez à nouveau votre produit.

1. Le réfrigérateur doit être vidé et nettoyé avant tout transport.
2. Les clayettes, accessoires, bac à légumes, etc. de votre réfrigérateur doivent être fixés solidement avec de la bande adhésive avant de remballer l'appareil, pour le protéger en cas de chocs.
3. L'emballage doit être fixé avec une bande adhésive forte et des cordes solides, et les normes de transport indiquées sur l'emballage doivent être appliquées.

Rappelez-vous...

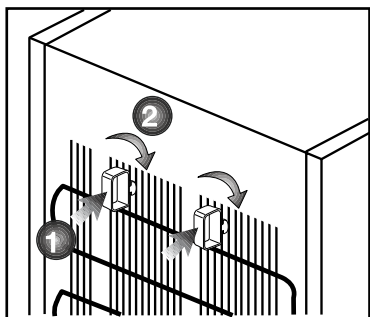
Chaque matériau recyclé est une participation indispensable à la préservation de la nature et conservation de nos ressources nationales.

Si vous souhaitez contribuer à recycler les matériaux d'emballage, vous pouvez obtenir des informations supplémentaires auprès des organismes environnementaux ou des autorités locales.

Avant de faire fonctionner votre réfrigérateur

Avant de commencer à faire fonctionner votre réfrigérateur, vérifiez les points suivants :

1. L'intérieur du réfrigérateur est sec et l'air peut circuler librement à l'arrière.
2. Insérez les 2 cales en plastique entre les câbles du condenseur, tel qu'illustré dans la figure suivante. Les cales en plastique maintiendront la distance nécessaire entre votre réfrigérateur et le mur pour permettre une bonne circulation de l'air. (Le schéma présenté est fourni à titre indicatif et peut ne pas correspondre exactement avec votre produit).



3. Nettoyez l'intérieur du réfrigérateur tel qu'indiqué dans la section « Entretien et nettoyage ».
4. Branchez le réfrigérateur dans la prise murale. Lorsque la porte du réfrigérateur est ouverte, l'éclairage intérieur s'allumera.
5. Vous remarquerez un bruit lorsque le compresseur se met en marche. Le liquide et les gaz intégrés au système du réfrigérateur peuvent également faire du bruit, que le compresseur soit en marche ou non. Ceci est tout à fait normal.

6. Les parties antérieures du réfrigérateur peuvent chauffer. Ce phénomène est normal. Ces zones doivent en principe être chaudes pour éviter tout risque de condensation.

Branchement électrique

Branchez votre réfrigérateur à une prise de mise à la terre protégée par un fusible ayant une capacité appropriée.

Important :

- Le branchement doit être conforme aux normes en vigueur sur le territoire national.
- La fiche de câble d'alimentation doit être facilement accessible après installation.
- La tension et la protection du fusible autorisé sont spécifiées dans la section « Caractéristiques techniques ».
- La tension spécifiée doit être égale à votre tension de secteur.
- Les rallonges et prises multivoies ne doivent pas être utilisés pour brancher l'appareil.

⚠ Un câble d'alimentation endommagé doit être remplacé par un électricien qualifié.

⚠ L'appareil ne doit pas être mis en service avant d'être réparé ! Un risque de choc électrique existe!

Mise au rebut de l'emballage

Les matériaux d'emballage peuvent être dangereux pour les enfants. Tenez les matériaux d'emballage hors de portée des enfants ou débarrassez-vous-en conformément aux consignes sur les déchets. Ne les jetez pas aux côtés des ordures ménagères ordinaires.

L'emballage de votre appareil est produit à partir des matériaux recyclables.

Mise au rebut de votre ancien réfrigérateur

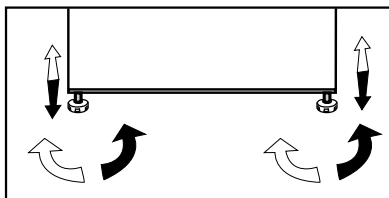
Débarassez-vous de votre ancien réfrigérateur sans nuire à l'environnement.

- Vous pouvez consulter le service après-vente agréé ou le centre chargé de la mise au rebut dans votre municipalité pour en savoir plus sur la mise au rebut de votre produit.

Avant de procéder à la mise au rebut de votre machine, coupez la prise électrique et, le cas échéant, tout verrouillage susceptible de se trouver sur la porte. Rendez-les inopérants afin de ne pas exposer les enfants à d'éventuels dangers.

Réglage des pieds

Si le réfrigérateur n'est pas stable. Vous pouvez équilibrer le réfrigérateur en tournant les pieds avant, tel qu'illustré dans le schéma. Le côté où se trouve le pied s'abaisse lorsque vous tournez dans le sens de la flèche noire, et s'élève lorsque vous tournez dans le sens opposé. Si vous vous faites aider par quelqu'un pour légèrement soulever le réfrigérateur, l'opération s'en trouvera simplifiée.



Remplacement de l'ampoule intérieure

Si l'ampoule ne fonctionne pas, procédez comme suit.

1- Déconnectez la prise de courant et débranchez la prise d'alimentation. Vous pouvez éventuellement retirer les tablettes pour avoir un accès plus facile.

2- Utilisez un tournevis à tête plate pour retirer le diffuseur.

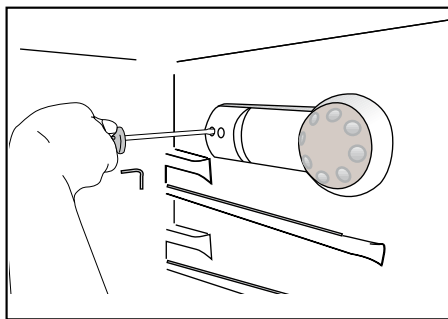
3- Vérifiez d'abord que l'ampoule ne s'est pas desserrée en s'assurant qu'elle soit bien vissée dans son support. Rebranchez la prise et mettez en marche l'appareil.

Si l'ampoule fonctionne, remplacez le diffuseur en insérant le tenon arrière et en poussant vers le haut.

4- Si l'ampoule ne fonctionne toujours pas, déconnectez la prise de courant et débranchez la prise d'alimentation. Remplacez l'ampoule par une nouvelle ampoule de 15 watt (max.) à pas de vis (SES).

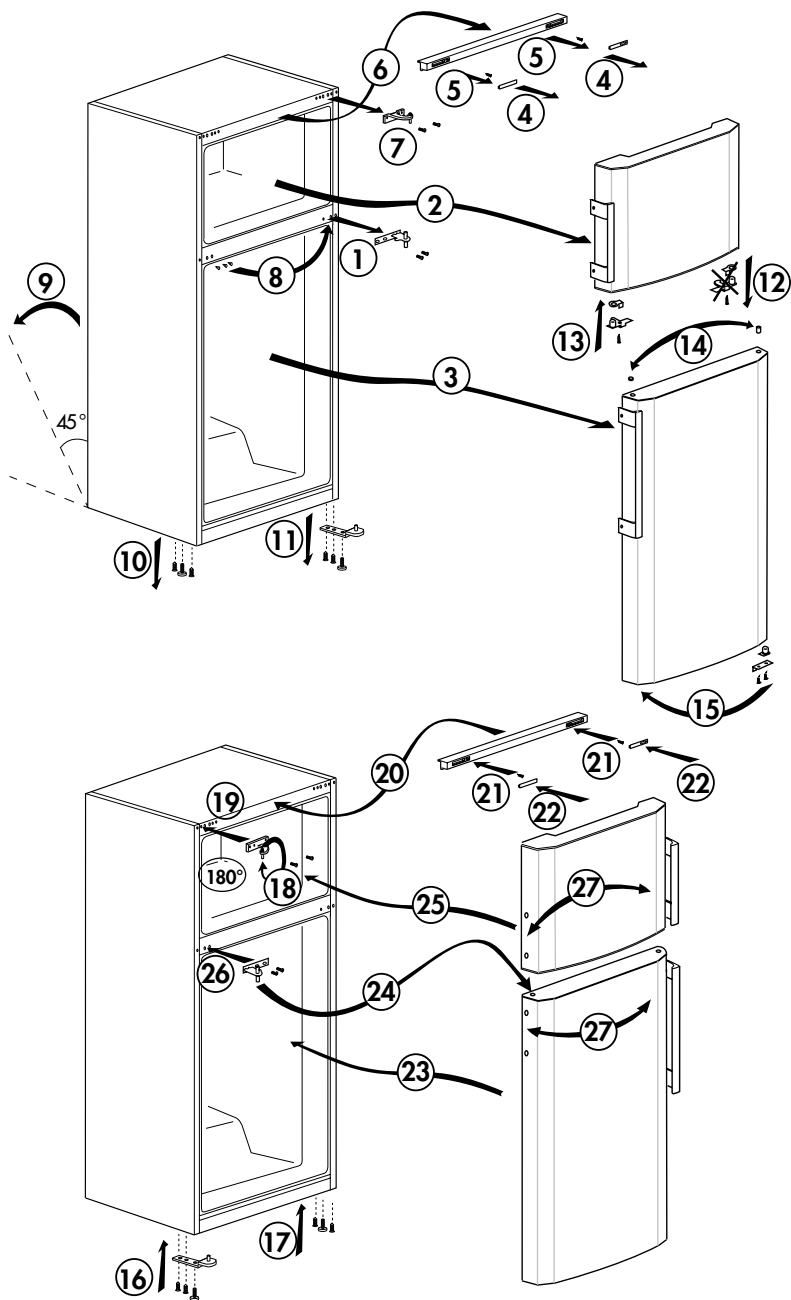
5- Jetez soigneusement l'ampoule grillée immédiatement.

Les ampoules de remplacement se trouvent facilement dans les magasins de matériel électrique ou de bricolage locaux.



Réversibilité des portes

Procédez dans l'ordre numérique



4 Préparation

- Votre réfrigérateur doit être installé à au moins 30 cm des sources de chaleur telles que les plaques de cuisson, les fours, appareils de chauffage ou cuisinières, et à au moins 5 cm des fours électriques. De même, il ne doit pas être exposé à la lumière directe du soleil.

- La température ambiante de la pièce où vous installez le réfrigérateur doit être d'au moins 10°C. Faire fonctionner l'appareil sous des températures inférieures n'est pas recommandé et pourrait nuire à son efficacité.

- Veuillez vous assurer que l'intérieur de votre appareil est soigneusement nettoyé.

- Si deux réfrigérateurs sont installés côte à côte, ils doivent être séparés par au moins 2 cm.

- Lorsque vous faites fonctionner le réfrigérateur pour la première fois, assurez-vous de suivre les instructions suivantes pendant les six premières heures.

- La porte ne doit pas être ouverte fréquemment.

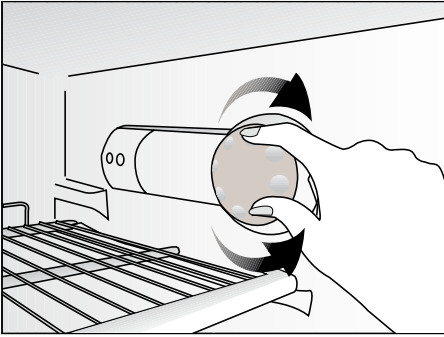
- Le réfrigérateur doit fonctionner à vide, sans denrées à l'intérieur.

- Ne débranchez pas le réfrigérateur. Si une panne de courant se produit, veuillez vous reporter aux avertissements dans la section « Solutions recommandées aux problèmes ».

- L'emballage et les matériaux de protection d'emballage doivent être conservés pour les éventuels transports ou déplacements à venir.

5 Utilisation de votre réfrigérateur

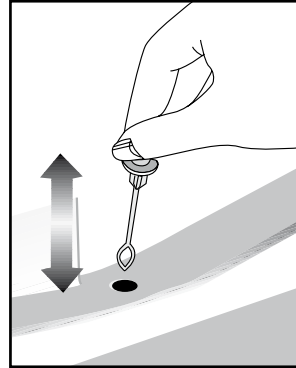
Bouton de réglage du thermostat **Décongélation**



La température intérieure de votre réfrigérateur change pour les raisons suivantes ;

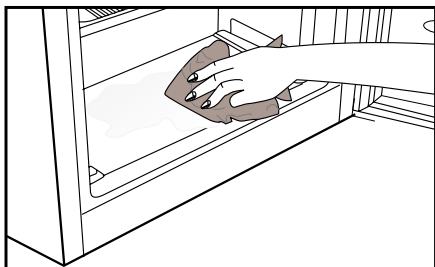
- Températures saisonnières,
- Ouverture fréquente de la porte et porte laissée ouverte pendant de longues périodes,
- Denrées introduites dans le réfrigérateur sans réduction à la température ambiante.
- Emplacement du réfrigérateur dans la pièce (par ex. exposition à la lumière directe du soleil)
- Vous pouvez régler les différentes températures intérieures dues à de telles raisons en utilisant le thermostat. Les numéros entourant le bouton du thermostat indiquent le niveau de refroidissement.
- Si la température ambiante est supérieure à 32°C, réglez le bouton du thermostat à la position maximale.
- Si la température ambiante est inférieure à 25°C, réglez le bouton du thermostat à la position minimale..

Le compartiment réfrigérateur se dégivre automatiquement. L'eau générée par le dégivrage s'écoule dans la rainure de collecte de l'eau et passe dans l'évaporateur par le tuyau de vidange où elle s'évapore.



- Vérifiez régulièrement le tuyau de vidange pour vous assurer qu'il n'est pas obstrué et débouchez-le en introduisant un bâton dans le trou si nécessaire.
- Le compartiment du surgélateur ne réalise pas de dégivrage automatique pour empêcher la détérioration des denrées congelées.
- La formation de givre dans le compartiment de congélation doit être éliminée tous les 6 mois. Il est recommandé de réaliser le dégivrage lorsque le compartiment du surgélateur n'est pas beaucoup rempli ou lorsqu'il est vide.
- Emballez les denrées congelées dans le réfrigérateur à l'aide de quelques feuilles de papier et conservez-le dans l'endroit le plus froid possible ou dans un autre réfrigérateur.

- Arrêtez votre réfrigérateur à l'aide du bouton de réglage de la température, ou débranchez la prise d'alimentation. Vous pouvez mettre un récipient plein d'eau chaude dans le compartiment congélateur ou laisser sa porte ouverte afin d'accélérer le processus de dégivrage.
- Enlevez l'eau qui s'accumule dans le récipient inférieur du compartiment de congélation à l'aide d'une éponge ou d'un chiffon absorbant.
- Séchez le compartiment complètement et replacez le bouton de réglage de la température dans sa position d'origine.
- Faites fonctionner votre réfrigérateur à vide pendant 2 heures, portes fermées, avant d'y remettre vos denrées.



Interruption du produit

Si la position « 0 » se trouve sur votre thermostat :

- Votre appareil cessera de fonctionner lorsque vous mettrez le bouton du thermostat à la position « 0 » (zéro). Votre appareil ne démarrera pas à moins que vous mettiez le bouton du thermostat sur la position « 1 » ou sur l'une des autres positions.

Si la position « min » se trouve sur votre thermostat :

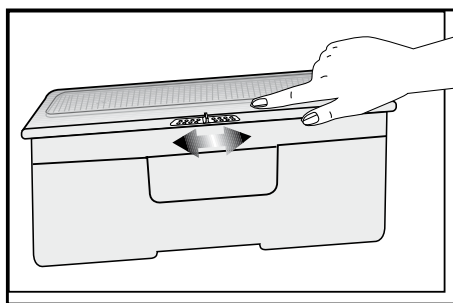
- Débranchez votre appareil pour l'arrêter.

Bac à légumes: utilisation des curseurs de réglage de l'humidité (dans certains modèles)

Le bac à légumes de votre réfrigérateur a été spécialement conçu pour vous aider à conserver vos denrées au frais sans que celles-ci n'aient à perdre de leur humidité. L'air frais circule fondamentalement autour du bac à légumes et sa quantité est contrôlée au moyen des commandes situées sur le devant de son couvercle.

Vous pouvez ajuster les curseurs de réglage de l'humidité à une position appropriée selon les conditions de refroidissement et d'humidité de vos denrées contenues dans le bac à légumes.

Si vous souhaitez que ces denrées se rafraîchissent davantage, ouvrez les orifices des curseurs de réglage de l'humidité. Si vous souhaitez en revanche qu'elles se rafraîchissent moins et conservent leur humidité pendant une longue période, fermez lesdites orifices.



6 Entretien et nettoyage

- ⚠ N'utilisez jamais d'essence, de benzène ou de matériaux similaires pour le nettoyage.
- ⚠ Nous vous recommandons de débrancher l'appareil avant de procéder au nettoyage.
- ℹ N'utilisez jamais d'ustensiles tranchants, savon, produit de nettoyage domestique, détergent et cirage pour le nettoyage.
- ℹ Utilisez de l'eau tiède pour nettoyer la carrosserie du réfrigérateur et séchez-la soigneusement à l'aide d'un chiffon.
- ℹ Utilisez un chiffon humide imbibé d'une solution composée d'une cuillère à café de bicarbonate de soude pour un demi litre d'eau pour nettoyer l'intérieur et séchez soigneusement.
- ⚠ Prenez soin de ne pas faire couler d'eau dans le logement de la lampe et dans d'autres éléments électriques.
- ⚠ En cas de non utilisation de votre réfrigérateur pendant une période prolongée, débranchez le câble d'alimentation, sortez toutes les denrées, nettoyez-le et laissez la porte entrouverte.
- ℹ Inspectez les joints de porte régulièrement pour vérifier qu'ils sont propres et qu'il n'y a pas de particules de nourriture.
- ℹ Pour retirer les balconnets de portes, sortez tout son contenu puis poussez simplement le balconnet vers le haut à partir de la base.

Protection des surfaces en plastique.

- Ne placez pas d'huiles ou de plats huileux dans le réfrigérateur dans des récipients non fermés, car les graisses peuvent endommager les surfaces en plastique du réfrigérateur. Si vous versez ou éclaboussez de l'huile sur les surfaces en plastique, nettoyez et lavez les parties souillées avec de l'eau chaude immédiatement.

7 Solutions recommandées aux problèmes

Veillez vérifier la liste suivante avant d'appeler le service après-vente. Cela peut vous faire économiser du temps et de l'argent. Cette liste regroupe les problèmes les plus fréquents ne provenant pas d'un défaut de fabrication ou d'utilisation du matériel. Il se peut que certaines des fonctions décrites ne soient pas présentes sur votre produit.

Le réfrigérateur ne fonctionne pas

- Le réfrigérateur est-il correctement branché ? Insérez la prise dans la prise murale.
- Est-ce que le fusible ou la douille de raccord du réfrigérateur sont connectés ou est-ce que le fusible principal a sauté ? Vérifiez le fusible.

Condensation sur la paroi intérieure du compartiment réfrigérateur. (MULTI ZONE, COOL CONTROL et FLEXI ZONE)

- Température ambiante très basse. Ouvertures et fermetures fréquentes de la porte. Humidité ambiante très élevée. Conservation de denrées liquides dans des récipients ouverts. Porte laissée entrouverte.
- Réglez le thermostat à un niveau de froid supérieur.
- Réduisez les temps d'ouverture de la porte ou utilisez-la moins fréquemment.
- Couvrez les denrées dans des récipients ouverts à l'aide d'un matériau adapté.
- Essayez la condensation à l'aide d'un tissu sec et vérifiez si elle persiste.

Le compresseur ne fonctionne pas.

- Le dispositif de protection thermique du compresseur sautera en cas de coupures soudaines du courant ou de débranchement intempestif, en effet la pression du liquide réfrigérant du système de refroidissement ne sera pas équilibrée.
- Le réfrigérateur recommencera à fonctionner normalement après 6 minutes environ. Veuillez contacter le service après-vente si le réfrigérateur ne redémarre pas après cette période.
- Le réfrigérateur est en mode de dégivrage. Cela est normal pour un réfrigérateur à dégivrage semi-automatique. Le cycle de dégivrage se déclenche régulièrement.
- Le réfrigérateur n'est pas branché à la prise. Assurez-vous que la prise est branchée correctement à la prise murale.
- Les réglages de température sont-ils corrects ? Il y a une panne de courant. Veuillez contacter votre fournisseur d'électricité.

Le réfrigérateur fonctionne fréquemment ou pendant de longues périodes.

- Votre nouveau réfrigérateur est peut être plus large que l'ancien. Ceci est tout à fait normal. Les grands réfrigérateurs fonctionnent pendant une période de temps plus longue.
- La température ambiante de la salle peut être élevée. Ce phénomène est tout à fait normal.
- Le réfrigérateur pourrait y avoir été branché tout récemment ou pourrait avoir été chargé de denrées alimentaires. Le refroidissement complet du réfrigérateur peut durer quelques heures de plus.
- D'importantes quantités de denrées chaudes ont peut être été introduites dans le réfrigérateur récemment. Les denrées chaudes provoquent un fonctionnement prolongé du réfrigérateur avant d'atteindre le niveau de température de conservation raisonnable.
- Les portes ont peut être été ouvertes fréquemment ou laissées entrouvertes pendant une durée prolongée. L'air chaud qui entre dans le réfrigérateur le fait fonctionner pendant de plus longues périodes. Ouvrez les portes moins souvent.
- La porte du réfrigérateur ou du congélateur ont peut être été laissées entrouvertes. Vérifiez que les portes sont bien fermées.
- Le réfrigérateur est réglé à une température très basse. Réglez la température du réfrigérateur à un degré supérieur et attendez jusqu'à ce que la température soit bonne.
- Le joint de la porte du réfrigérateur ou du congélateur peut être sale, déchiré, rompu ou mal en place. Nettoyez ou remplacez le joint. Tout joint endommagé/ déchiré fait fonctionner le réfrigérateur pendant une période de temps plus longue afin de conserver la température actuelle.

La température du congélateur est très basse alors que celle du réfrigérateur est correcte.

- La température du congélateur est réglée à une température très basse. Réglez la température du congélateur à un degré supérieur et vérifiez.

La température du réfrigérateur est très basse alors que celle du congélateur est correcte.

- La température du réfrigérateur est réglée à une température très basse. Réglez la température du réfrigérateur à un degré supérieur et vérifiez.

Les denrées conservées dans les tiroirs du compartiment de réfrigération congèlent.

- La température du réfrigérateur est réglée à une température très basse. Réglez la température du réfrigérateur à un degré supérieur et vérifiez.

La température dans le réfrigérateur ou le congélateur est très élevée.

<ul style="list-style-type: none"> • La température du réfrigérateur est réglée à un niveau de froid très élevé. Le réglage du réfrigérateur a un effet sur la température du congélateur. Modifiez la température du réfrigérateur ou du congélateur jusqu'à ce qu'elles atteignent un niveau correct. • La porte est peut être restée ouverte. Refermez complètement la porte. • D'importantes quantités de denrées chaudes ont peut être été introduites dans le réfrigérateur récemment. Attendez que le réfrigérateur ou le congélateur atteigne la bonne température. • Le réfrigérateur y a peut être été branché récemment. Le refroidissement complet du réfrigérateur nécessite du temps à cause de sa taille.
Un bruit similaire au son émis par l'aiguille des secondes d'une horloge analogique provient du réfrigérateur.
<ul style="list-style-type: none"> • Ce bruit provient de la valve solénoïde du réfrigérateur. La valve solénoïde fonctionne afin d'assurer le passage du réfrigérant à travers le compartiment qui peut être ajusté aux températures de refroidissement et de congélation, et dans le but d'effectuer les fonctions de refroidissement. Ce phénomène est tout à fait normal et ne constitue nullement un dysfonctionnement.
Le niveau sonore augmente lorsque le réfrigérateur est en marche.
<ul style="list-style-type: none"> • Les caractéristiques de performance du réfrigérateur peuvent changer en fonction des variations de la température ambiante. Cela est normal et n'est pas un défaut.
Vibrations ou bruits
<ul style="list-style-type: none"> • Le sol n'est pas plat ou n'est pas solide. Le réfrigérateur oscille lorsqu'on le bouge lentement. Assurez-vous que le sol est plat, solide et qu'il peut supporter le réfrigérateur. • Les bruits peuvent être produits par les objets placés sur le réfrigérateur. De tels objets doivent être enlevés du dessus du réfrigérateur.
Le réfrigérateur produit des bruits semblables à de l'eau qui coule ou à la pulvérisation d'un liquide.
<ul style="list-style-type: none"> • Des écoulements de gaz et de liquides se produisent dans le réfrigérateur, de par ses principes de fonctionnement. Cela est normal et n'est pas un défaut.
Le réfrigérateur produit des bruits semblables à du vent.
<ul style="list-style-type: none"> • Des activateurs d'air (ventilateurs) sont utilisés pour permettre au réfrigérateur de fonctionner efficacement. Cela est normal et n'est pas un défaut.
Condensation sur les parois intérieures du réfrigérateur.

<ul style="list-style-type: none"> • Un temps chaud et humide augmente la formation de givre et de condensation. Cela est normal et n'est pas un défaut. • Les portes sont entrouvertes. Assurez-vous que les portes sont complètement fermées. • Les portes ont peut être été ouvertes très fréquemment ou ont peut être été laissées ouvertes pendant une durée prolongée. Ouvrez la porte moins souvent.
De l'humidité est présente à l'extérieur ou entre les portes du réfrigérateur.
<ul style="list-style-type: none"> • Le temps est peut être humide. Ceci est tout à fait normal avec un temps humide. Lorsque l'humidité est faible, la condensation disparaîtra.
Présence d'une mauvaise odeur dans le réfrigérateur.
<ul style="list-style-type: none"> • L'intérieur du réfrigérateur doit être nettoyé. Nettoyez l'intérieur du réfrigérateur avec une éponge, de l'eau ou de l'eau gazeuse chaude. • Certains récipients ou matériaux d'emballage peuvent provoquer ces odeurs. Utilisez un autre récipient ou changez de marque de matériau d'emballage.
La (les) porte(s) ne se ferme(nt) pas.
<ul style="list-style-type: none"> • Des récipients peuvent empêcher la fermeture de la porte. Remplacez les emballages qui obstruent la porte. • Le réfrigérateur n'est probablement pas complètement vertical et il peut balancer lorsqu'on le bouge légèrement. Réglez les vis de levage. • Le sol n'est pas plat ou solide. Assurez-vous que le sol est plat et qu'il peut supporter le réfrigérateur.
Les bacs à légumes sont coincés.
<ul style="list-style-type: none"> • Il se peut que les denrées touchent le plafond du tiroir. Disposez à nouveau les denrées dans le tiroir.

Leggere innanzitutto il manuale di istruzioni.

Gentile Cliente,

Ci auguriamo che l'articolo da Lei scelto, prodotto in moderni stabilimenti e sottoposto ai più severi controlli di qualità, risponda interamente alle Sue esigenze.

A tal fine, La invitiamo a leggere attentamente il manuale di istruzioni del prodotto prima di procedere al suo utilizzo e di conservarlo per eventuali consultazioni future.




Il presente manuale

- La aiuterà ad utilizzare l'apparecchio in modo rapido e sicuro.
- Leggere le istruzioni per l'uso prima di installare e utilizzare il prodotto.
- Seguire attentamente le istruzioni, in particolare quelle inerenti alla sicurezza.
- Conservare il presente manuale in un luogo facilmente accessibile per eventuali future consultazioni.
- Leggere inoltre gli altri documenti forniti assieme al prodotto.

Il presente manuale può essere valido anche per altri modelli.

Simboli e loro descrizione

Il manuale di istruzioni contiene i seguenti simboli:

-  Informazioni importanti o consigli utili di utilizzo.
-  Segnale di avvertimento in caso di situazioni pericolose per la persona o i beni.
-  Segnale di avvertimento in caso di problemi con il voltaggio.

Riciclaggio



Questo prodotto riporta il simbolo di raccolta differenziata per le apparecchiature elettriche ed elettroniche di rifiuto (WEEE).

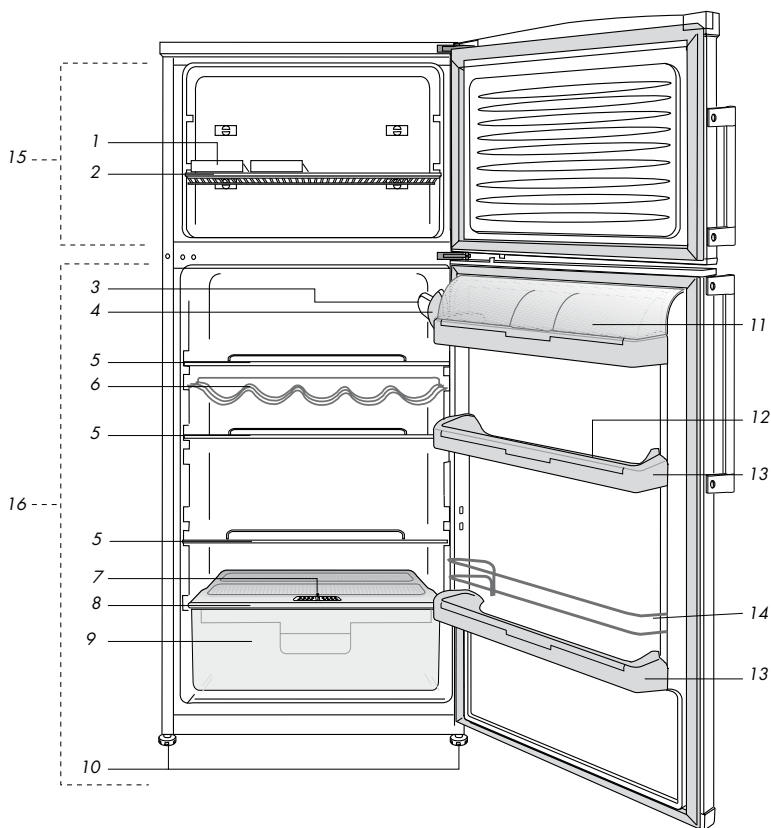
Ciò significa che il prodotto deve essere gestito in conformità alla direttiva europea 2002/96/EC in modo che durante il riciclaggio e lo smontaggio sia ridotto al minimo l'impatto sull'ambiente. Per ulteriori informazioni contattare le autorità locali o regionali.

I prodotti elettronici non inclusi nel processo di raccolta differenziata sono potenzialmente pericolosi per l'ambiente e la salute umana a causa della presenza di sostanze pericolose.

INDICE

1 Il frigorifero	3	4 Preparazione	12
2 Avvertenze importanti per la sicurezza	4	5 Utilizzo del frigorifero	13
Usò previsto	4	Tasto di impostazione termostato	13
Sicurezza generale	4	Sbrinamento	13
Sicurezza bambini	6	Arresto del prodotto	14
Avvertenza HCA	6	Cursori di controllo dell'umidità dello scomparto frutta e verdura	14
Cose da fare per risparmiare energia .	7		
3 Installazione	8	6 Manutenzione e pulizia	15
Preparazione	8	Protezione delle superfici di plastica	15
Punti da tenere in considerazione quando si trasporta nuovamente il frigorifero	8	7 Soluzioni consigliate per i problemi	16
Prima di utilizzare il frigorifero	8		
Collegamento elettrico	9		
Smaltimento del materiale di imballaggio	9		
Smaltimento del vecchio frigorifero	9		
Regolazione dei piedini	10		
Sostituzione della lampadina interna	10		
Inversione degli sportelli	11		

1 Il frigorifero



1. Vaschetta per cubetti di ghiaccio
2. Mensola del freezer
3. Luce interna
4. Manopola del termostato
5. Ripiani scomparto frigo
6. Contenitore vino
7. Canale di raccolta dell'acqua di sbrinamento - Tubo di scarico
8. Comandi umidità scomparto per frutta e verdura

9. Scomparto frutta e verdura
10. Piedi anteriori regolabili
11. Scomparto latticini
12. Scomparto della controporta
13. Scomparto per le uova
14. Contenitore metallico per bottiglie
15. Scomparto freezer
16. Scomparto frigo

i Le illustrazioni contenute in questa guida sono schematiche e potrebbero non corrispondere esattamente al prodotto in uso. Se le parti in oggetto non sono incluse nel prodotto acquistato, significa che sono da intendersi per altri modelli.

2 Avvertenze importanti per la sicurezza

Prendere in esame le seguenti informazioni. Se queste informazioni non vengono rispettate, possono verificarsi lesioni personali o danni materiali. Quindi tutte le garanzie e gli impegni sull'affidabilità diventerebbero privi di validità.

La vita d'uso dell'unità acquistata è 10 anni. Questo è il periodo in cui si conservano le parti di ricambio necessarie perché l'unità funzioni come descritto.

Uso previsto

- Questo prodotto è progettato per uso domestico.
- Non deve essere usato all'esterno. L'uso esterno non è appropriato anche se coperto da un tetto.

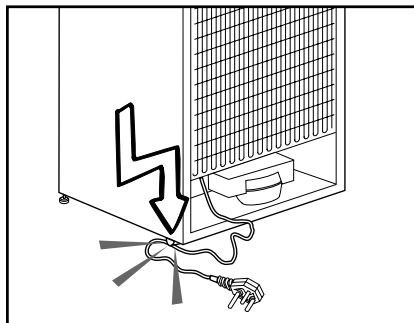
Sicurezza generale

- Quando si vuole predisporre/raschiare il prodotto, è consigliabile consultare il servizio autorizzato per apprendere le informazioni necessarie e conoscere gli enti autorizzati.
- Consultare il servizio di manutenzione autorizzato per tutti i problemi relativi al frigorifero. Non intervenire o far intervenire sul frigorifero senza informare il servizio manutenzione autorizzato.
- Non mangiare con i gelati ghiacciati o cubetti di ghiaccio o gelati appena presi dal freezer! (possono provocare bruciate da freddo alla bocca). (Ciò potrebbe causare sintomi di congelamento in bocca).
- Non mettere bottiglie e lattine di bibite liquide nello scomparto del freezer. altrimenti potrebbero esplodere.
- Non toccare con le mani gli alimenti gelati; possono incollarsi ad esse.
- Il vapore e i materiali per la pulizia vaporizzati non devono mai essere usati per pulire e scongelare il frigorifero. In questo caso il vapore può entrare in contatto con le parti elettriche e provocare corto circuito o scossa elettrica.
- Non usare mai parti del frigorifero come lo sportello come mezzo di supporto o movimento.
- Non utilizzare dispositivi elettrici all'interno del frigorifero.
- Non danneggiare il circuito di raffreddamento, in cui circola il refrigerante, con utensili perforanti o taglienti. Il refrigerante può scoppiare quando i canali del gas dell'evaporatore, le estensioni dei tubi o le pellicole superficiali vengono punti e possono provocare irritazioni alla pelle e lesioni agli occhi.
- Non bloccare o coprire la ventilazione dell'elettrodomestico.
- Le riparazioni agli apparecchi elettrici devono essere eseguite solo da personale qualificato. Le riparazioni eseguite da personale non competente possono provocare danni all'utilizzatore.
- In caso di guasto o durante lavori di riparazione e manutenzione, scollegare la fornitura d'energia principale spegnendo il fusibile principale o scollegando la presa dell'apparecchio.
- Non tirare dal cavo quando si estrae la spina.
- Posizionare le bibite più alte molto vicine e in verticale
- Non conservare mai nell'elettrodomestico sostanze esplosive o prodotti che contengano

gas infiammabili (spray, ecc.), nonché materiali esplosivi.

- Non utilizzare apparecchiature meccaniche o altri mezzi diversi da quelli consigliati dal produttore, per accelerare il processo di sbrinamento.
- Questo apparecchio non deve essere usato da persone (compresi bambini) con capacità fisiche, sensoriali o mentali ridotte, o mancanza di esperienza e conoscenza, a meno che non ricevano la supervisione o le istruzioni per l'uso dell'apparecchio da parte di una persona responsabile della loro sicurezza.
- Non utilizzare frigoriferi danneggiati. Consultare il servizio assistenza in caso di dubbi.
- La sicurezza elettrica del frigorifero è garantita unicamente se il sistema di messa a terra dell'apparecchiatura è conforme agli standard.
- L'esposizione del prodotto a pioggia, neve, sole e vento è pericolosa per la sicurezza elettrica.
- Contattare l'assistenza autorizzata quando ci sono danni ai cavi ecc., in modo che non creino pericoli per l'utente.
- non collegare mai il frigorifero alla presa a muro durante l'installazione, per evitare il rischio di morte o lesioni gravi.
- Questo frigorifero è destinato solo alla conservazione di alimenti. Non deve essere usato per altri fini.
- L'etichetta che descrive le specifiche tecniche del prodotto si trova a sinistra nella parte interna del frigorifero.
- Non collegare il frigorifero a sistemi di risparmio energetico poiché possono danneggiare l'apparecchio.

- Se il frigorifero presenta una luce blu, non guardarla usando dispositivi ottici.
- Se l'alimentazione è scollegata negli apparecchi controllati manualmente, attendere almeno 5 minuti prima di ricollegarla.
- Questo manuale deve essere trasferito al successivo proprietario del frigorifero, in caso di passaggio di proprietà.
- Quando si sposta l'apparecchio, assicurarsi di non danneggiare il cavo di alimentazione. Per evitare che il cavo di alimentazione si incendi, evitare di torcerlo. Non mettere oggetti pesanti sul cavo di alimentazione. Quando il frigorifero viene collegato alla rete, non toccare la presa di alimentazione con le mani bagnate.



- Non collegare il frigorifero alla rete se la presa elettrica è allentata.
- Non far schizzare l'acqua direttamente sulle parti esterne o interne del frigorifero per ragioni di sicurezza.
- Non spruzzare materiali infiammabili come gas propano, ecc. nelle vicinanze del frigorifero, a causa del rischio di incendio ed esplosioni.

- Non mettere oggetti pieni di acqua sopra al frigorifero poiché potrebbero provocare uno shock elettrico o un incendio.
- Non sovraccaricare il frigorifero con troppi alimenti. Gli alimenti in eccesso possono cadere quando viene aperto lo sportello, causando lesioni alla persona o danneggiando il frigorifero. Non mettere oggetti sopra al frigorifero poiché potrebbero cadere quando si apre o si chiude lo sportello dell'apparecchio.
- Materiali che richiedono determinate condizioni di temperatura come vaccini, farmaci termosensibili, materiali scientifici, ecc. non devono essere tenuti in frigorifero.
- Se il frigorifero non viene usato per molto tempo, deve essere scollegato dalla rete. Un problema nell'isolamento del cavo elettrico potrebbe provocare un incendio.
- La punta della spina elettrica deve essere regolarmente pulita altrimenti potrebbe provocare un incendio.
- Il frigorifero potrebbe spostarsi quando i piedini regolabili non sono posizionati in modo fermo a terra. Usando i piedini regolabili si assicura che il frigorifero sia posizionato in modo stabile sul pavimento.
- Se il frigorifero ha una maniglia sullo sportello, non tirare l'apparecchio dalla maniglia quando lo si sposta, altrimenti la maniglia potrebbe staccarsi.
- Se è necessario utilizzare l'apparecchio vicino ad un altro frigorifero o un altro freezer, la distanza tra gli apparecchi deve essere almeno 8 cm. Altrimenti si può creare condensa sulle pareti laterali che sono l'una di fronte all'altra.

- La pressione principale dell'acqua non deve scendere sotto 1bar. La pressione principale dell'acqua non deve essere superiore a 8 bar.
- Usare solo acqua potabile.

Sicurezza bambini

- Se la porta ha un lucchetto, la chiave deve essere tenuta lontana dalla portata dei bambini.
- I bambini devono ricevere la supervisione necessaria ad assicurare che non giochino con l'apparecchio.

Avvertenza HCA

Se il prodotto è dotato di un sistema di raffreddamento che contiene R600a:

Questo gas è infiammabile. Pertanto, fare attenzione a non danneggiare il sistema di raffreddamento e le tubazioni durante l'uso e il trasporto. In caso di danni, tenere il prodotto lontano da potenziali fonti di incendio che possono provocarne l'incendio e ventilare la stanza in cui si trova l'unità.

Ignorare l'avvertenza se il prodotto è dotato di un sistema di raffreddamento che contiene R134a.

Si può vedere il gas usato nella produzione del dispositivo sull'etichetta informativa che si trova nella parte interna sinistra dello stesso.

Non gettare mai il prodotto nel fuoco.

Cose da fare per risparmiare energia

- Non lasciare lo sportello del frigorifero aperto per lungo tempo.
- Non inserire cibo caldo o bevande calde nell'elettrodomestico.
- Non sovraccaricare il frigorifero impedendo la circolazione dell'aria al suo interno.
- Non installare il frigorifero sotto la luce diretta del sole o nelle vicinanze di forni, lavastoviglie o radiatori.
- Porre attenzione nel conservare il cibo in contenitori chiusi.
- La quantità massima di alimenti può essere posta nello scomparto freezer del frigorifero quando il ripiano o il cassetto dello scomparto freezer sono rimossi. Il valore di consumo energetico dichiarato per il frigorifero è stato stabilito con il ripiano o il cassetto dello scomparto freezer rimossi e con la quantità massima di alimenti caricata. Non c'è rischio nell'usare un ripiano o un cassetto secondo le forme e le dimensioni degli alimenti da congelare.

3 Installazione

⚠ Ricordarsi che il fabbricante non è responsabile della mancata osservanza delle informazioni fornite nel manuale di istruzioni.

Preparazione

- i** Il frigorifero dovrà essere installato ad almeno 30 cm lontano da fonti di calore, come forni, riscaldamento centrale e stufe, e ad almeno 5 cm da forni elettrici e non deve essere esposto alla luce diretta del sole
- i** La temperatura ambiente della stanza in cui viene installato il frigorifero deve essere almeno 10°C . Usare il frigorifero in ambienti con temperatura inferiore non è consigliabile per motivi di efficienza.
- i** Assicurarsi che l'interno del frigorifero sia ben pulito.
- i** In caso di installazione di due frigoriferi l'uno accanto all'altro, devono esservi almeno 2 cm di distanza tra di loro.
- i** Quando il frigorifero viene messo in funzione per la prima volta, osservare le seguenti istruzioni per le prime sei ore.
 - Lo sportello non si deve aprire frequentemente.
 - Deve funzionare vuoto senza alimenti all'interno.
 - Non staccare il frigo dalla presa di corrente. Se si verifica un calo di potenza al di là del vostro controllo, vedere le avvertenze nella sezione "Soluzioni consigliate per i problemi".
- i** Conservare i materiali originali di imballaggio per futuri trasporti o spostamenti.

Punti da tenere in considerazione quando si trasporta nuovamente il frigorifero

1. Deve essere svuotato prima di ogni trasporto.
2. Scaffali, accessori, cestelli ecc. devono essere fissati nel frigorifero in modo sicuro per mezzo di nastro adesivo prima di essere re-imballati.
3. L'imballaggio deve essere eseguito con nastro spesso e forte e le norme di trasporto devono essere scrupolosamente seguite.

i Attenzione...

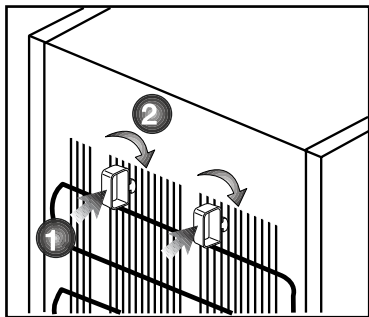
Tutti i materiali riciclati sono una fonte indispensabile per la natura e per le nostre risorse naturali.

Se volete contribuire al riciclaggio di materiali da imballo, rivolgetevi per ulteriori informazioni alle autorità locali per l'ambiente.

Prima di utilizzare il frigorifero

Prima di avviare l'uso del frigorifero, controllare quanto segue:

1. L'interno del frigorifero è asciutto e l'aria può circolare liberamente sul retro?
2. Inserire i 2 distanziali di plastica sulla ventilazione posteriore come riportato nella figura seguente. I distanziali di plastica garantiranno la distanza necessaria alla circolazione dell'aria tra il frigorifero e la parete.



3. Pulire la parte interna del frigorifero come consigliato nella sezione “Manutenzione e pulizia”.
4. Collegare il frigorifero alla presa a muro. Quando lo sportello del frigorifero viene aperto si accenderà la luce interna allo scomparto frigo.
5. Si udrà un rumore quando il compressore si avvia. I liquidi e i gas sigillati nel sistema refrigerante possono produrre dei rumori, anche se il compressore non è in funzione; questo è abbastanza normale.
6. I bordi frontali del frigorifero possono essere tiepidi. Questo è normale. Queste zone sono progettate per essere tiepide per evitare la condensazione.

Collegamento elettrico

Collegare il frigorifero ad una presa di messa a terra protetta da un fusibile della capacità appropriata.

Importante:

- ⚠ Il collegamento deve essere conforme ai regolamenti nazionali.
- ⚠ Il cavo di alimentazione deve essere facilmente accessibile dopo l'installazione.
- ⚠ La tensione e la protezione del fusibile permessa sono indicati nella sezione “Specifiche”.

- ⚠ La tensione specificata deve essere pari a quella di rete.
- ⚠ Le prolunghe e le prese multiple non devono essere usate per il collegamento.
Un cavo di alimentazione danneggiato deve essere sostituito da un elettricista qualificato.
- ⚠ L'apparecchio non deve essere usato finché non viene riparato! C'è pericolo di shock elettrico!

Smaltimento del materiale di imballaggio

⚠ I materiali di imballaggio potrebbero essere dannosi per i bambini. Tenere i materiali di imballaggio fuori dalla portata dei bambini o smaltirli classificandoli secondo le istruzioni sui rifiuti. Non smaltirli insieme ai normali rifiuti domestici.

L'imballaggio del frigorifero è prodotto con materiali riciclabili.

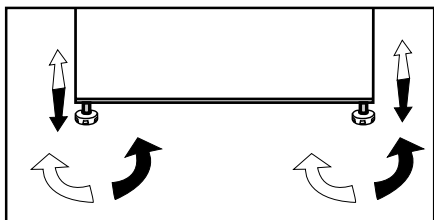
Smaltimento del vecchio frigorifero

Smaltimento del vecchio frigorifero senza danni per l'ambiente.

- ⚠ Bisogna consultare il rivenditore autorizzato o il centro di raccolta rifiuti della propria città per quanto riguarda lo smaltimento del frigorifero.
- ⚠ Prima di smaltire il frigorifero, tagliare la spina elettrica e, se ci sono blocchi allo sportello, renderli inutilizzabili per proteggere i bambini da eventuali pericoli.

Regolazione dei piedini

Se il frigorifero non è in equilibrio: è possibile bilanciare il frigorifero ruotando i piedini anteriori come illustrato in figura. L'angolo in cui i piedini sono più bassi quando girati in direzione della freccia nera e rialzati quando girati in direzione opposta. Un aiuto per sollevare leggermente il frigorifero faciliterà tale processo.



Sostituzione della lampadina interna

Se la luce non dovesse funzionare, procedere come segue.

1- Spegnerne la presa di corrente ed estrarre la spina di rete.

Può rivelarsi utile rimuovere i ripiani per un accesso più semplice.

2- Utilizzare un cacciavite a punta piatta per rimuovere il coperchio del diffusore della luce.

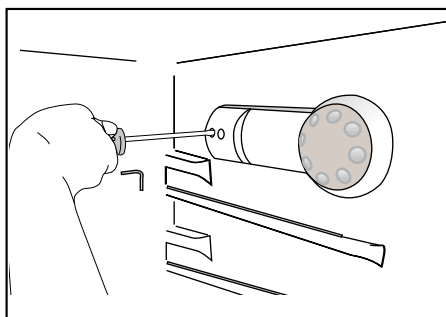
3- Come prima cosa controllare che la lampadina non si sia allentata, assicurandosi che sia perfettamente avvitata nell'alloggiamento. Reinscrivere la spina e accendere.

Se la lampadina funziona, rimettere a posto il coperchio della luce, inserendo il capocorda posteriore e spingendo per posizionare i due capicorda anteriori.

4- Se la luce ancora non funziona, spegnere la presa di corrente ed estrarre la spina di rete. Sostituire la lampadina con una nuova lampadina con attacco a vite (SES) da 15 watt (max).

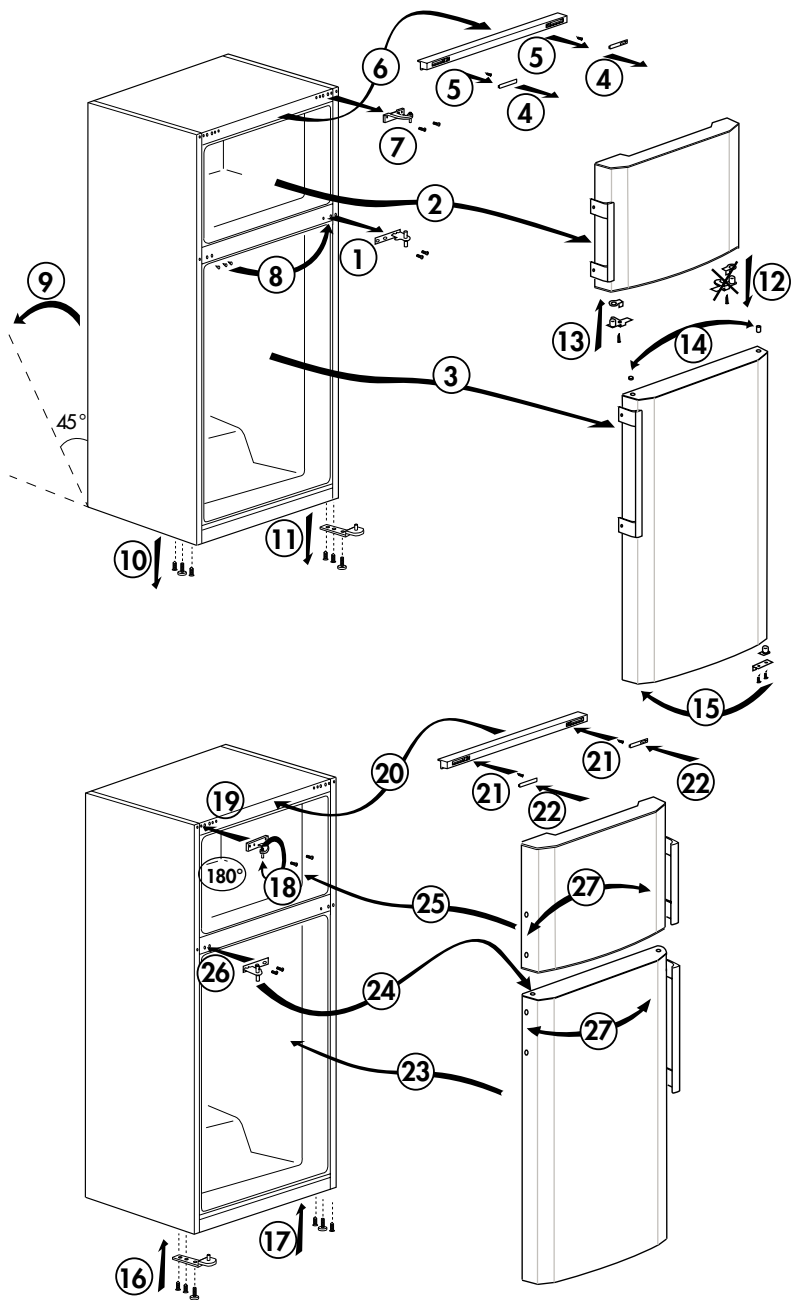
5- Smaltire immediatamente e con attenzione le lampadine bruciate.

La lampadina di ricambio può essere facilmente acquistata presso un buon negozio di apparecchiature elettriche o un DIY.



Inversione degli sportelli

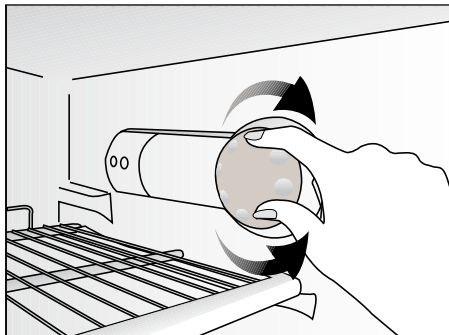
Procedere in ordine numerico.



4 Preparazione

- i** Il frigorifero dovrà essere installato ad almeno 30 cm lontano da fonti di calore, come forni, riscaldamento centrale e stufe e ad almeno 5 cm da forni elettrici e non deve essere esposto alla luce diretta del sole.
- i** La temperatura ambiente della stanza in cui viene installato il frigorifero deve essere almeno 10°C . Usare il frigorifero in ambienti con temperatura inferiore non è consigliabile per motivi di efficienza.
- i** Assicurarsi che l'interno del frigorifero sia ben pulito.
- i** In caso di installazione di due frigoriferi l'uno accanto all'altro, devono esservi almeno 2 cm di distanza tra di loro.
- i** Quando il frigorifero viene messo in funzione per la prima volta, osservare le seguenti istruzioni per le prime sei ore.
 - La porta non si deve aprire frequentemente.
 - Deve funzionare vuoto senza alimenti all'interno.
 - Non staccare il frigo dalla presa di corrente. Se si verifica un calo di potenza al di là del controllo dell'utente, vedere le avvertenze nella sezione "Soluzioni consigliate per i problemi".
- i** Conservare i materiali originali di imballaggio per futuri trasporti o spostamenti.

5 Utilizzo del frigorifero



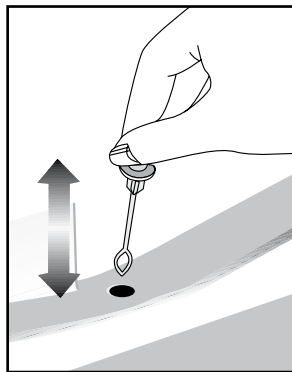
Tasto di impostazione termostato

La temperatura interna del frigorifero cambia per le seguenti cause;

- Temperature stagionali,
- Apertura frequente dello sportello e sportello lasciato aperto per lunghi periodi,
- Alimenti messi nel frigorifero senza lasciarli prima raffreddare a temperatura ambiente,
- Posizionamento del frigorifero nella stanza (per esempio, esposizione alla luce solare).
- Qualora si verificano le suddette situazioni, è possibile adattare la temperatura interna del frigorifero utilizzando il termostato. I numeri riportati intorno al tasto indicano i gradi di raffreddamento.
- Se la temperatura ambiente è superiore ai 32°C, ruotare il tasto del termostato fino al punto massimo.
- Se la temperatura ambiente è inferiore ai 25°C, ruotare il tasto del termostato fino al punto minimo.

Sbrinamento

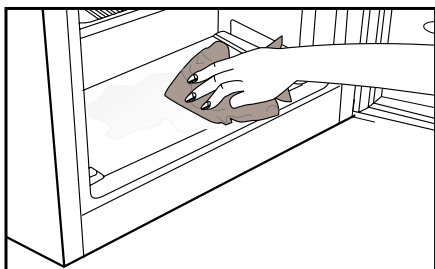
Lo scomparto frigo effettua l'operazione di sbrinamento in modo totalmente automatico. L'acqua che viene prodotta dallo sbrinamento passa per la scanalatura di raccolta dell'acqua e fluisce nell'evaporatore attraverso il



tubo di scarico e da lì evapora.

- Controllare regolarmente per vedere se il tubo di evaporazione è bloccato o meno, e pulirlo con il bastoncino nel foro, quando necessario.
- Lo scomparto del surgelatore non effettua operazioni di sbrinamento automatico per evitare di compromettere l'integrità dei cibi congelati.
- Il ghiaccio che si forma nel comparto freezer deve essere eliminato ogni sei mesi. Si raccomanda di eliminare il ghiaccio quando lo scomparto del surgelatore non è né troppo pieno né vuoto.
- Per farlo, avvolgere gli alimenti congelati nella carta e tenerli nel posto più freddo possibile o in un altro frigo se disponibile.

- Arrestare il frigorifero con la manopola di impostazione della temperatura o staccando il cavo di alimentazione dalla presa. Si può mettere un contenitore pieno d'acqua calda nel comparto freezer o lasciarne aperta la porta per affrettare lo scongelamento.
- Rimuovere l'acqua che si accumula nel contenitore inferiore del comparto freezer con un panno assorbente o una spugna.
- Asciugare completamente il comparto freezer e riportare il tasto di impostazione della temperatura alla posizione precedente.
- Prima di rimettere gli alimenti nel comparto surgelati, far funzionare il frigorifero per 2 ore vuoto e con le porte chiuse.



Arresto del prodotto

Se il termostato è dotato della posizione "0":

- Il prodotto interrompe il funzionamento quando si porta il termostato sulla posizione "0" (zero). Il prodotto non si avvia a meno che non si ruota di nuovo il termostato sulla posizione "1" o su una delle altre posizioni.

Se il termostato è dotato della posizione "min":

- Scollegare il prodotto per arrestarlo.

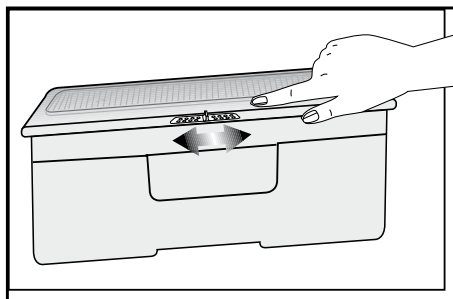
Cursori di controllo dell'umidità dello scomparto frutta e verdura

Uso dei cursori di controllo dell'umidità per frutta e verdura

Lo scomparto frutta e verdura del frigo è progettato in modo speciale per tenere la verdura fresca senza che perda la sua umidità. L'aria fredda circola intorno a frutta e verdura e il quantitativo di quella che passa attraverso la frutta e la verdura è controllato dai cursori sul lato anteriore del coperchio dello scomparto.

I cursori di controllo dell'umidità possono essere regolati alla posizione adatta alle condizioni di umidità e raffreddamento degli alimenti nello scomparto.

Se si desidera che gli alimenti nello scomparto si raffreddino di più, aprire i fori dei cursori di controllo dell'umidità e se si vuole che si raffreddino di meno e conservino più a lungo l'umidità, chiudere i fori.



6 Manutenzione e pulizia

- ⚠ Non usare mai gasolio, benzene o simile per scopi di pulizia
- ⚠ Consigliamo di scollegare l'apparecchio prima della pulizia.
- ❗ Non utilizzare mai attrezzi appuntiti o sostanze abrasive, saponi, detergenti per la casa o cere per la pulizia.
- ❗ Utilizzare acqua tiepida per pulire l'armadietto del frigorifero e asciugarlo.
- ❗ Utilizzare un panno umido intriso di una soluzione composta da un cucchiaino di bicarbonato di soda e da circa mezzo litro di acqua e pulire l'interno, quindi asciugare.
- ⚠ Assicurarsi che l'acqua non penetri nel quadro di comando della temperatura.
- ⚠ Se il frigorifero non viene usato per un lungo periodo di tempo, scollegare il cavo di alimentazione, rimuovere tutti gli alimenti dal suo interno, pulirlo e lasciare lo sportello aperto.
- ❗ Controllare le guarnizioni dello sportello periodicamente per garantire che siano pulite e che non siano presenti particelle di cibo.
- ❗ Per rimuovere il vassoio dello sportello, rimuovere tutto il contenuto e spingere semplicemente il vassoio verso l'alto.

Protezione delle superfici di plastica

- Non inserire oli liquidi o piatti cotti in olio nel frigorifero se in contenitori non sigillati poiché questi possono danneggiare le superfici in plastica del frigorifero. In caso di fuoriuscita di olio sulle superfici in plastica, pulire e asciugare le parti della superfici con acqua tiepida.

7 Soluzioni consigliate per i problemi

Prima di chiamare il servizio assistenza, rivedete la lista precedente. Risparmierete tempo e denaro. Questa lista comprende frequenti reclami che non derivano da difetti di lavorazione o dai materiali utilizzati. Alcune delle funzioni descritte qui potrebbero non esistere nel proprio prodotto.

Il frigorifero non funziona
<ul style="list-style-type: none">• Il frigorifero è correttamente collegato alla corrente? Inserire la spina nella presa a muro.• Il fusibile della presa a cui è collegato il frigorifero è funzionante o il fusibile principale è saltato? Controllare il fusibile.
Condensa sullo scomparto della parete del frigorifero. (MULTI ZONA, CONTROLLO RAFFREDDAMENTO e ZONA FLEXI)
<ul style="list-style-type: none">• Ambiente in condizioni molto fredde. Apertura e chiusura frequente della porta Ambiente in condizioni molto umide Conservazione del cibo contenente liquidi in contenitori aperti. Sportello lasciato aperto.• Portare il termostato a temperatura inferiore.• Diminuire il tempo di apertura della porta o aprirla meno frequentemente.• Coprire il cibo contenuto in contenitori aperti con materiale adatto.• Asciugare la condensa con un panno asciutto e controllare se continua.
Il compressore non funziona
<ul style="list-style-type: none">• La protezione termica del compressore è inattiva in caso di mancanza di corrente o di mancato collegamento alla presa, se il sistema refrigerante non è ancora stato regolato.• Il frigorifero comincerà a funzionare dopo circa 6 minuti. . Chiamare il servizio assistenza se il frigorifero non inizia a funzionare al termine di questo periodo.• Il frigorifero è nel ciclo defrost Si tratta di una cosa per un frigorifero con de frost completamente automatico. Il ciclo di sbrinamento si verifica periodicamente.• L'elettrodomestico non è collegato alla presa. Accertarsi che la spina sia inserita in modo corretto nella presa.• Le regolazioni di temperatura sono eseguite correttamente? Vi è una mancanza di alimentazione. Chiamare il fornitore di energia.
Il freezer funziona frequentemente o per lunghi periodi.

- Il nuovo frigorifero è più grande del precedente. Ciò è abbastanza normale. I grandi frigoriferi lavorano per lunghi periodi di tempo.
- La temperatura ambiente può essere alta. Questo è abbastanza normale.
- Il frigorifero è stato collegato alla presa di recente o è stato riempito di cibo. Lo sbrinamento completo del frigorifero può durare un paio d'ore.
- Grandi quantità di cibo caldo sono state recentemente inserite. I cibi caldi devono essere raffreddati fino alla temperatura ambiente prima di essere riposti nel frigorifero.
- Lo sportello del freezer rimane aperto per un lungo periodo, o le porte sono state aperte di frequente. L'aria tiepida entrata nel frigorifero ne provoca il funzionamento per un periodo più lungo. Aprire le porte meno frequentemente.
- La porta del frigorifero o del freezer è stata lasciata aperta. La/e porta/e non si chiude/chiudono.
- Il frigo è regolato a temperatura molto bassa. Regolare la temperatura del frigorifero ad un livello più alto e attendere fino a che la stessa sia acquisita.
- La chiusura della porta del frigorifero o del freezer può essere usurata, rotta o non inserita in modo appropriato. Pulire o sostituire la guarnizione. Guarnizioni rotte o danneggiate provocano il funzionamento del frigo per periodi più lunghi per mantenere la temperatura attuale.

La temperatura ambiente è molto bassa mentre la temperatura del frigorifero è sufficiente

- Il frigo è regolato a temperatura molto bassa. Regolare la temperatura ad un livello più alto e controllare.

La temperatura ambiente è molto bassa mentre la temperatura del freezer è sufficiente

- Il frigorifero è regolato a temperatura molto bassa. Regolare la temperatura ad un livello più alto e controllare.

Il cibo che è nei cassetti dello scomparto frigo si sta congelando.

- Il frigorifero è regolato a temperatura molto bassa. Regolare la temperatura ad un livello più alto e controllare.

La temperatura del frigo o freezer è molto alta

- Il frigorifero è regolato a temperatura molto alta. La regolazione del frigorifero provoca effetti sulla temperatura del freezer. Cambiare la temperatura fino a che essa non raggiunge un livello sufficiente.
- Porta lasciata aperta. Chiudere completamente la porta.
- Grandi quantità di cibo caldo sono state recentemente inserite. Attendere fino a che il frigorifero o freezer non raggiungono la temperatura desiderata.
- Il frigorifero è stato collegato alla presa di recente. Lo sbrinamento completo del frigorifero ha bisogno di tempo a causa delle dimensioni dello stesso.

Dal frigorifero si sente un rumore simile al suono dei secondi di un orologio analogico.

- Questo rumore deriva dalla elettrovalvola del frigorifero. L'elettrovalvola funziona allo scopo di assicurare il passaggio del refrigerante attraverso lo scomparto, che può essere regolato per ottenere temperature da raffreddamento o congelamento ed eseguire le funzioni di raffreddamento. Si tratta di una cosa normale e non di un guasto.

Il rumore aumenta quando il frigorifero sta lavorando

- Le caratteristiche di performance operativa del frigorifero possono cambiare secondo i cambiamenti della temperatura ambiente. Si tratta di una cosa normale e non di un guasto.

Vibrazioni o Rumore
<ul style="list-style-type: none"> • Il pavimento non è orizzontale o è debole Il frigorifero ondeggia quando si sposta lentamente. Accertarsi che il pavimento sia in piano, forte e in grado di sopportare il frigorifero. • Il rumore potrebbe essere provocato dagli oggetti nel frigorifero. Tali oggetti devono essere rimossi dalla parte alta del frigorifero.
Ci sono rumori come gocciolamenti o spruzzo di liquidi.
<ul style="list-style-type: none"> • Il flusso di liquido e gas si verifica secondo i principi operativi del frigorifero. Si tratta di una cosa normale e non di un guasto.
C'è un rumore come vento che soffia.
<ul style="list-style-type: none"> • Gli attivatori di aria (ventole) si usano per consentire al frigorifero di raffreddare in modo efficiente. Si tratta di una cosa normale e non di un guasto.
Condensa sulla parete interna del frigorifero.
<ul style="list-style-type: none"> • Il clima caldo/umido aumenta il ghiaccio e la condensa. Si tratta di una cosa normale e non di un guasto. • Le porte sono aperte. Verificare che gli sportelli siano completamente chiusi. • Le porte sono state aperte per un lungo periodo, o le porte sono state aperte di frequente. Aprire le porte meno frequentemente.
Umidità al di fuori del frigorifero o tra le porte
<ul style="list-style-type: none"> • Il clima è umido Ciò è abbastanza normale in climi umidi. Al diminuire dell'umidità, la condensa scompare.
Odore cattivo dentro al frigorifero.
<ul style="list-style-type: none"> • L'interno del frigorifero deve essere pulito. Pulire l'interno con una spugna, acqua tiepida o carbonata. • Alcuni contenitori possono provocare odori. Usare contenitori diversi o diverse marche.
La/e porta/e non si chiude/chiudono.
<ul style="list-style-type: none"> • Il cibo impedisce la chiusura dello sportello. Sostituire gli imballi che ostruiscono la porta. • Probabilmente il frigo non è completamente verticale sul pavimento e può ondeggiare quando viene spinto leggermente. Regolare le viti di elevazione. • Il pavimento non è orizzontale o forte. Accertarsi che il pavimento sia in piano, forte e in grado di sopportare il frigorifero.
Gli scomparti frutta e verdura sono bloccati.
<ul style="list-style-type: none"> • Il cibo potrebbe toccare il tetto del cassetto Risistemare il cibo nel cassetto.

Molimo prvo pročitajte ovaj priručnik!

Poštovani kupci,

Nadamo se da će vam naš proizvod, proizveden u suvremenim postrojenjima i provjeren po strogim procedurama kontrole kvalitete, pružiti učinkovit rad.

Zbog toga vam preporučujemo da pažljivo pročitate cijeli priručnik proizvoda prije uporabe te da ga čuvate na pristupačnom mjestu zbog buduće uporabe.




Ovaj priručnik

- Če vam pomoći da koristite svoj uređak brzo i sigurno.
- Pročitajte priručnik prije instaliranja i rada s vašim proizvodom.
- Slijedite upute, posebno one vezane za sigurnost.
- Čuvajte priručnik na lako dostupnom mjestu jer vam može zatrebati kasnije.
- Osim toga, također pročitajte druge dokumente dostavljene s vašim proizvodom.

Molimo imajte na umu da ovaj priručnik može vrijediti i za druge modele.

Simboli i njihovi opisi

Ovaj korisnički priručnik sadrži sljedeće simbole:

-  Važne informacije ili korisni savjeti za uporabu.
-  Upozorenja protiv opasnosti po život i imovinu.
-  Upozorenje protiv električnog napona.



Ovaj proizvod nosi znak selektivnog razvrstavanja za električni i elektronski otpad (WEEE).

To znači da se ovim proizvodom mora rukovati prema Europskoj direktivi 2002/96/EC da bi se reciklirao ili razmontirao da bi se smanjio utjecaj na okoliš. Za daljnje informacije, molimo javite se lokalnim ili regionalnim vlastima.

Elektronski proizvodi koji nisu uključeni u postupak selektivnog razvrstavanja su potencijalno opasni za okoliš i ljudsko zdravlje zbog prisutnosti opasnih tvari.

SADRŽAJ

1 Vaš hladnjak 3

2 Važna sigurnosna upozorenja 4

Predviđena namjena	4
Opća sigurnost	4
Sigurnost djece	6
Upozorenje za HCA	6
Stvari koje se trebaju uraditi za uštedu energije.....	6

3 Instalacija 7

Priprema.....	7
Stvari kojih se treba pridržavati kod ponovnog transporta vašeg hladnjaka	7
Prije uključivanja vašeg hladnjaka.....	7
Električno spajanje.....	8
Odlaganje pakiranja	8
Odlaganje stalnog hladnjaka	8
Zamjena unutarnje žarulje	9
Prilagođavanje nogu	9

4Priprema 10

5 Uporaba hladnjaka 11

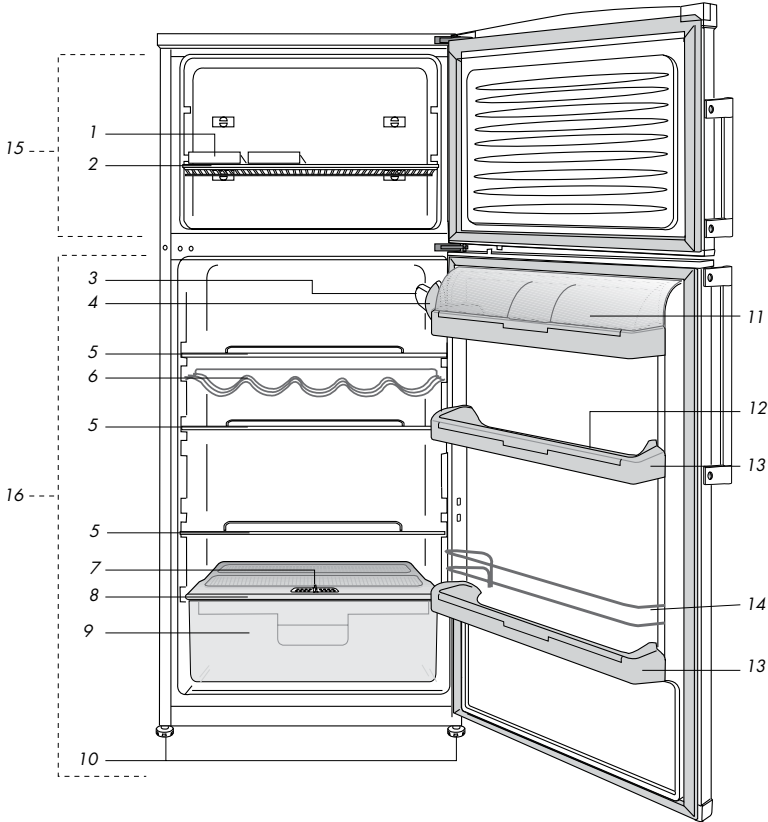
Odmrzavanje	11
Zaustavljanje uređaja	12
Klizne tipke za kontrolu vlažnosti u odjeljku za voće i povrće.....	12
Mijenjanje smjera otvaranja vrata	13

6 Održavanje i čišćenje 14

Zaštita plastičnih površina	14
-----------------------------------	----

7 Preporučenih rješenja za probleme 15

1 Vaš hladnjak



1. Posuda za kockice za led

2. Polica hladnjaka

3. Unutarnje svjetlo

4. Tipka termostata

5. Police odjeljka hladnjaka

6. Pretinac za voće i povrće

7. Kanal za skupljanje vode od

odleživanja - Cijev za odvodnju

8. Kontrolne tipke vlažnosti odjeljka za
povrće

9. Odjeljak za povrće

10. Prilagodljive prednje nožice

11. Odjeljak za mliječne proizvode

12. Polica vrata

13. Pretinac za jaja

14. Žica držača za boce

15. Odjeljak za zamrzavanje

16. Odjeljak hladnjaka

❗ Slike koje se nalaze u ovom priručniku su shematske i možda se ne ogovaraju u potpunosti vašem proizvodu. Ako dijelovi naslova nisu sadržani u proizvodu koji ste kupili, on vrijedi za ostale modele.

2 Važna sigurnosna upozorenja

Molimo pregledajte sljedeće informacije. Ako ih ne budete pratili, može doći do ozljede ili oštećenja. U suprotnom će sva upozorenja i obveze za pouzdanost postati nevaljane.

Vijek uporabe kupljenog uređaja je 10 godina. Ovo je razdoblje potrebno za čuvanje rezervnih dijelova da bi uređaj radio kako je opisano.

Predviđena namjena

- Ovaj proizvod je namijenjen za uporabu u kućanstvu.
- Ne smije se koristiti vani. Nije podesan za uporabu na otvorenom čak i ako je mjesto pokriveno krovom.

Opća sigurnost

- Kad budete željeli odložiti uređaj, preporučujemo da konzultirate ovlaštenu servis da biste saznali potrebne informacije i ovlaštena tijela.
- Konzultirajte se s ovlaštenim servisom za sva pitanja i probleme vezane za hladnjak. Nemojte intervenirati ili dopustiti da netko intervenira na hladnjaku bez prethodnog obavještanja ovlaštenih servisa.
- Ne jedite kornete sladoleda i kockice leda odmah nakon vađenja kad ih izvadite iz odjeljka hladnjaka! (To može uzrokovati ozljede od hladnoće u vašim ustima.)
- Ne stavljajte pića i tekućine u bocama i limenkama u odjeljak škrinje. U suprotnom bi mogli puknuti.
- Ne dodirujte smrznutu hranu rukom; može vam se zalijepiti za ruku.
- Para i raspršujuća sredstva za čišćenje se nikada ne smiju koristiti tijekom postupka čišćenja i odmrzavanja u vašem hladnjaku. U takvim slučajevima, para može doći

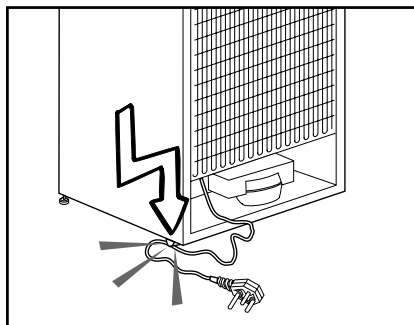
u kontakt s električnim dijelovima i uzrokovati kratki spoj ili strujni udar.

- Nikada ne koristite dijelove vašeg hladnjaka, kao što su vrata, za pridržavanje ili za stajanje na njima.
- Ne koristite električne uređaje unutar hladnjaka.
- Ne oštećujte sklop za hlađenje gdje cirkulira rashladno sredstvo pomoću alata za bušenje ili rezanje. Rashladno sredstvo koje može eksplodirati kad se plinski kanali isparivača, produžetka cijevi ili površinskih premaza probuše, može uzrokovati iritaciju kože i ozljede oka.
- Ne pokrivajte i ne blokirajte otvore za ventilaciju na vašem hladnjaku bilo kakvim materijalom.
- Popravku električne opreme smiju izvršavati samo kvalificirani stručnjaci. Popravke koje izvrše nestručne osobe mogu stvoriti rizik po korisnika.
- U slučaju bilo kakvog kvara tijekom održavanja ili popravke, otpojite hladnjak s napajanja ili isključivanjem odgovarajućeg osigurača ili isključivanjem vašeg uređaja iz struje.
- Kod isključivanja utikača, nemojte povlačiti za kabel.
- Stavite jača pića čvrsto zatvorena i uspravno.
- Zapaljivi predmeti ili proizvodi koji sadrže zapaljive plinove (npr. sprej) kao i eksplozivni materijali se nikad ne smiju držati u uređaju.
- Ne koristite mehaničke uređaje ili druge načine za ubrzavanje procesa topljenja od onih koje preporuča proizvođač.
- Ovaj uređaj nije namijenjen za uporabu od strane osoba (uključujući djecu) sa smanjenim

tjelesnim, osjetilnim ili mentalnim sposobnostima ili manjkom iskustva i znanja osim su pod nadzorom ili ih je osoba odgovorna za njihovu sigurnost naučila da koriste uređaj.

- Ne uključujte oštećeni hladnjak. Ukoliko postoje bilo kakve sumnje, konzultirajte se s vašim servisom.
- Za električnu sigurnost vašeg hladnjaka se jamči samo ako je uzemljenje u vašoj kući u skladu sa standardima.
- Izlaganje proizvoda kiši, snijegu, suncu i vjetru je opasno u pogledu električne sigurnosti.
- Javite se ovlaštenom servisu ukoliko postoje oštećenja kabela itd tako da to ne stvara opasnost.
- Nikada ne uključujte hladnjak u zidnu utičnicu tijekom instalacije. Inače može doći do opasnosti po život ili ozbiljne ozljede.
- Ovaj hladnjak je napravljen samo za pohranu hrane. Ne smije se koristiti u bilo koje druge svrhe.
- Naljepnica koja opisuje tehničke specifikacije proizvoda se nalazi u donjem lijevom dijelu hladnjaka.
- Ne povezujte hladnjak na sustave za uštedu energije jer oni mogu oštetiti proizvod.
- Ako hladnjak ima plavo svjetlo, ne gledajte na plavo svjetlo kroz optičke uređaje.
- Ako se napajanje otpoји na ručno kontroliranim hladnjacima, molimo sačekajte bar 5 minuta prije ponovnog spajanja napajanja.
- Ovaj korisnički priručnik se treba predati novom vlasniku hladnjaka, ukoliko se vlasnik promijeni.
- Kod pomicanja hladnjaka, pazite da ne oštetite strujni kabel. Da biste spriječili požar, kabel napajanja se

ne smije savijati. Na kabel napajanja se ne smiju stavljati teški predmeti. Kad se hladnjak uključuje, ne rukujte utičnicom mokrim rukama.



- Ne uključujte hladnjak ako je električna utičnica labava.
- Ne špricajte vodu direktno na vanjske ili unutarnje dijelove hladnjaka zbog sigurnosnih razloga.
- Ne špricajte zapaljive materijale kao što su propan, plin itd u blizini hladnjaka zbog opasnosti od požara i eksplozije.
- Ne stavljajte predmete ispunjene vodom na hladnjak jer to može rezultirati električnim udarom ili požarom.
- Nemojte prepuniti hladnjak s previše hrane. Višak hrane može pasti kad se vrata otvore, što može rezultirati vašom ozljedom ili oštećenjem hladnjaka. Ne stavljajte predmete na hladnjak jer predmeti mogu pasti tijekom otvaranja ili zatvaranja vrata hladnjaka.
- Materijali koji zahtijevaju određene temperaturne uvjete, kao što su cjepiva, lijekovi osjetljivi na temperaturu, znanstveni materijali, itd. se ne smiju držati u hladnjaku.
- Ako hladnjak neće raditi dulje vrijeme, mora se isključiti iz struje. Problem

u izolaciji električnog kabela može rezultirati požarom.

- Vrh električnog utikača se mora redovito čistiti, inače može uzrokovati požar.
- Hladnjak se smije pomicati kad su podesive noge čvrsto postavljene na zemlji. Pomoću prilagodljivih nogu možete se pobrinuti da je hladnjak čvrsto postavljen na podu.
- Ako hladnjak ima ručku, ne povlačite hladnjak za ručke dok pomičete proizvod, jer može skinuti ručku s hladnjaka.
- Ako vaš uređaj mora raditi pored drugog hladnjaka ili škrinje, udaljenost između uređaja mora biti najmanje 8 cm. Inače može doći do kondenzacije na suprotstavljenim stjenkama.
- Tlak vodovoda ne smije biti ispod 1 bara. Tlak vode iz vodovoda ne smije biti iznad 8 bara.
- Koristite samo pitku vodu.

Sigurnost djece

- Ako vrata imaju bravu, ključ se treba držati podalje od dosega djece.
- Djeca trebaju biti pod nadzorom da se ne bi igrali uređajem.

Upozorenje za HCA

Ako je Vaš proizvod opremljen sustavom za hlađenjem koji sadrži R600a:

Ovaj plin je zapaljiv. Zato pazite da tijekom uporabe i transporta ne oštetite sustav za hlađenje i cijevi. U slučaju oštećenja, držite uređaj podalje od potencijalnog izvora plamena koji može dovesti do toga da uređaj zapali, te prozračujete sobu u kojoj se nalazi uređaj.

Zanemarite upozorenje ako je vaš proizvod opremljen sustavom za hlađenje koji sadrži R134a.

Možete vidjeti plin koji se koristio u proizvodnji vašeg uređaja na tipskoj pločici koja se nalazi na njegovoj lijevoj unutarnjoj strani.

Nikada ne odlažite proizvod u vatru.

Stvari koje se trebaju uraditi za uštedu energije

- Ne ostavljajte vrata vašeg hladnjaka otvorena dulje vrijeme.
- Ne stavljajte toplu hranu ili pića u hladnjak.
- Nemojte prepuniti hladnjak tako da se ne sprječava cirkuliranja zraka u unutrašnjosti.
- Ne postavljajte vaš hladnjak izravno na sunčevu svjetlost ili blizu uređaja koji emitiraju toplinu kao što su pećnice, perilice suđa ili radijatori.
- Pazite da držite svoju hranu u zatvorenim posudama.
- Maksimalna količina hrane se može staviti u odjeljak za zamrzavanje u hladnjaku kad se ukloni policica ili ladicica odjeljka za zamrzavanje. Naznačene vrijednosti potrošnje električne energije su određene kad su policica ili ladicica odjeljka škrinje bili uklonjeni i pod maksimalnom količinom stavljenе hrane. Ne postoji opasnost od uporabe police ili ladice prema oblicima i veličinama hrane koja će biti zamrznuta.

3 Instalacija

⚠ Molimo imajte na umu da se proizvođač neće smatrati odgovornim ukoliko se ne budete pridržavali informacija navedenih u korisničkom priručniku.

Priprema

- Vaš hladnjak se treba postaviti najmanje 30 cm od izvora topline kao što su plamenici, pećnice, grijalice i štednjaci i najmanje 5 cm dalje od električnih pećnica te se ne smiju stavljati na direktnu sunčevu svjetlost.
- sobna temperatura u prostoriji u koju postavite hladnjak treba biti najmanje 10°C. Rad vašeg hladnjaka u hladnijim uvjetima od navedenih se ne preporuča vezano za učinkovitost.
- Pazite da se unutrašnjost vašeg hladnjaka temeljito čisti.
- Ako se dva hladnjaka trebaju instalirati jedan do drugog, između njih treba postojati razmak od najmanje 2 cm.
- Kada prvi put uključite hladnjak, molimo pridržavajte se sljedećih uputa tijekom prvih šest sati.
 - Vrata se ne smiju često otvarati.
 - Mora raditi prazan, bez ikakve hrane u njemu.
 - Ne isključujte vaš hladnjak. Ako dođe do nestanka el. energije na koji ne možete utjecati, molimo pogledajte upozorenja u dijelu "Preporučena rješenja problema".
- Originalno pakiranje i materijali od pjene se trebaju čuvati zbog budućeg transporta ili selidbe.

Stvari kojih se treba pridržavati kod ponovnog transporta vašeg hladnjaka

1. Vaš hladnjak mora biti ispražnjen i očišćen prije bilo kakvog transporta.
2. Police, dodaci, odjeljak za povrće itd. u vašem hladnjaku moraju biti čvrsto pričvršćeni ljepljivom trakom zbog treskanja prije ponovnog pakiranja.
3. Pakiranje se mora pričvrstiti ljepljivom trakom i mora se pridržavati pravila o transportu ispisanih na pakiranju.

Molimo zapamtite da...

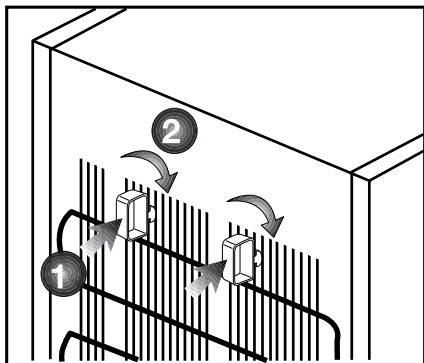
Svaki reciklirani materijal je nezamjenjiv izvor za prirodu i za naše nacionalne izvore.

Ako želite pridonijeti reciklaži materijala pakiranja, možete dobiti dodatne informacije od ureda za okoliš ili lokalnih vlasti.

Prije uključivanja vašeg hladnjaka

Prije početka uporabe vašeg hladnjaka provjerite sljedeće:

1. Je li unutrašnjost hladnjaka suha i može li zrak slobodno cirkulirati sa stražnje strane?
2. Umetnite dva plastična klina između žica kondenzatora kako je prikazano na sljedećoj slici. Plastični klinovi će dati osigurati potrebnu udaljenost između vašeg hladnjaka i zida da bi se omogućilo cirkuliranje zraka. (Slika s ilustracijom je samo primjer i ne odgovara u potpunosti vašem proizvodu.)



3. Očistite unutrašnjost hladnjaka kako je preporučeno u dijelu "Čišćenje i održavanje".
4. Uključite hladnjak u zidnu utičnicu. Kad su vrata hladnjaka otvorena, uključit će se unutrašnje svjetlo.
5. Čut ćete buku kad kompresor počne raditi. Tekućine i plinovi zabrtvljeni u rashladnom sustavu također mogu stvarati buku, čak i kad kompresor ne radi i to je potpuno normalno.
6. Prednji krajevi hladnjaka mogu biti topli na opip. To je u normalno. Ova područja su napravljena da budu topla da bi se se izbjegla kondenzacija.

Električno spajanje

Spojite svoj proizvod u uzemljenu utičnicu koja je zaštićena osiguračem odgovarajućeg kapaciteta.

Važno:

- Spoj mora biti u skladu s nacionalnim zakonskim odredbama.
- Kabel napajanja mora biti lako dostupan nakon postavljanja.
- Napon i dozvoljena zaštita osiguračem su navedeni u dijelu "Specifikacije".
- Navedeni napon mora biti jednak naponu el. energije.

- Produžni kabeli i razvodnici se ne smiju koristiti za spajanje. Oštećeni kabel napajanja mora zamijeniti kvalificirani električar.
- ⚠ Proizvod ne smije raditi prije popravke! Postoji opasnost od električnog udara!

Odlaganje pakiranja

Materijali pakiranja mogu biti opasni za djecu. Čuvajte materijale pakiranja dalje od dohvata djece ili ih odložite svrstavanjem u skladu s uputama o odlaganju. Nemojte ih odlagati s normalnim otpadom iz kućanstva. Pakiranje vašeg hladnjaka je proizvedeno od recikliranih materijala.

Odlaganje stalnog hladnjaka

Odlaganje vašeg starog stroja bez štete za okoliš.

- O odlaganju vašeg hladnjaka se možete konzultirati s vašim ovlaštenim dobavljačem ili centrom za sakupljanje otpada u vašoj općini. Prije odlaganja vašeg hladnjaka, odrežite električni utikač i, ukoliko postoje bilo kakve brave na vratima, onesposobite ih da biste zaštitili djecu od bilo kakve opasnosti.

Zamjena unutarnje žarulje

Ako svjetlo ne bude radilo, napravite sljedeće.

1- Isključite uređaj iz struje i izvucite utikač iz utičnice.

Zbog lakšeg pristupa, možete ukloniti police.

2- Pomoću odvijača s ravnim vrhom uklonite poklopac svjetla.

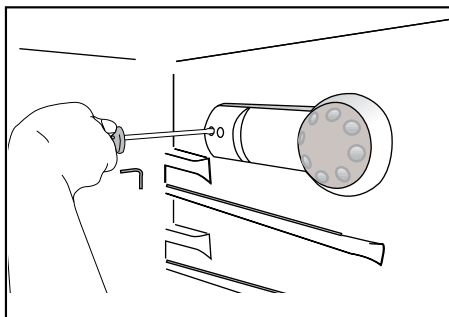
3- Prvo provjerite da se žarulja nije odvrnula i da je sigurno zavijena u grlo. Vratite utikač i uključite.

Ako žarulja radi, vratite poklopac stavljanjem stražnje kopče i guranjem da biste otkrili prednje dvije kopče.

4- Ako svjetlo ne gori, isključite aparat iz utičnice i izvucite utikač. Zamijenite žarulju novom žaruljom od 15 W (max) s grlom koje se zavija (SES).

5- Pažljivo odmah odložite pregorenu žarulju.

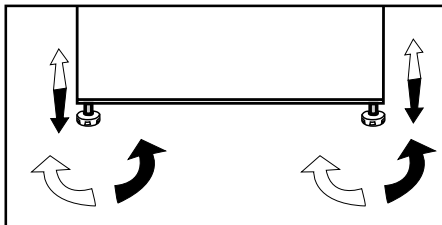
Zamjensku žarulju Možete lako naći u dobroj lokalnoj električnoj ili "uradi sam" trgovini.



Prilagođavanje nogu

Ako vaš hladnjak nije u ravnoteži;

Možete postaviti hladnjak u ravnotežu okretanjem prednjih nožica kako je prikazano na slici. kut gdje se nalaze noge je spušten kad okrenete u smjeru crne strelice a diže se kad okrenete u suprotnom smjeru. Ovaj postupak će biti lakši ako nekoga zamolite da malo podigne hladnjak.



4 Priprema

i Vaš hladnjak se treba postaviti najmanje 30 cm od izvora topline kao što su plamenici, pećnice, grijalice i štednjaci i najmanje 5 cm dalje od električnih pećnica te se ne smiju stavljati na direktnu sunčevu svjetlost.

i sobna temperatura u prostoriji u koju postavite hladnjak treba biti najmanje 10°C. Rad vašeg hladnjaka u hladnijim uvjetima od navedenih se ne preporuča vezano za učinkovitost.

i Pazite da se unutrašnjost vašeg hladnjaka temeljito čisti.

i Ako se dva hladnjaka trebaju instalirati jedan do drugog, između njih treba postojati razmak od najmanje 2 cm.

i Kada prvi put uključite hladnjak, molimo pridržavajte se sljedećih uputa tijekom prvih šest sati.

- Vrata se ne smiju često otvarati.

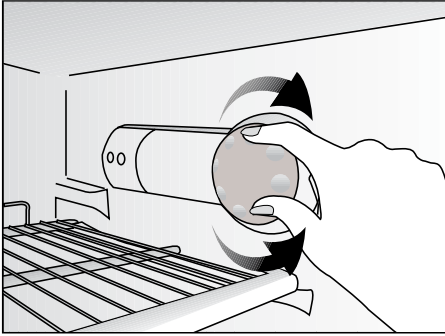
- Mora raditi prazan, bez ikakve hrane u njemu.

- Ne isključujte vaš hladnjak.

Ako dođe do nestanka el. energije na koji ne možete utjecati, molimo pogledajte upozorenja u dijelu "Preporučena rješenja problema".

i Originalno pakiranje i materijali od pjene se trebaju čuvati zbog budućeg transporta ili selidbe.

5 Uporaba hladnjaka



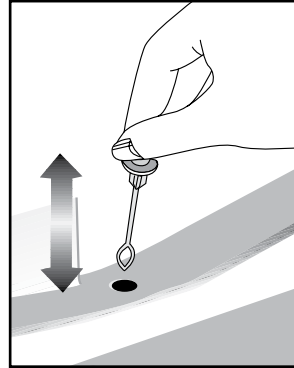
Tipka za postavljanje termostata

Unutarnja temperatura vašeg hladnjaka se mijenja zbog sljedećih razloga:

- Temperatura godišnjih doba,
- Često otvaranje vrata i ostavljanje vrata otvorenim dulje vrijeme,
- Stavljanje hrane u hladnjak bez prethodnog hlađenja na sobnu temperaturu,
- Smještaj hladnjaka u sobi (npr. izlaganje sunčevoj svjetlosti).
- Zbog takvih razloga, pomoću termostata možete prilagoditi različite temperature unutrašnjosti. Brojevi oko tipki termostata označavaju razinu hladnoće.
- Ako je temperatura okoline viša od 32°C, okrenite tipku termostata na maksimalni položaj.
- Ako je temperatura okoline niža od 25°C, okrenite tipku termostata na minimalni položaj.

Odmrzavanje

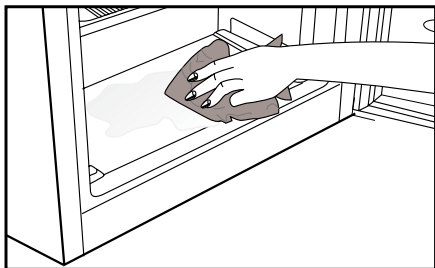
Odjeljak hladnjaka obavlja potpuno automatsko odmrzavanje. Voda koja nastaje od otapanja prolazi iz žlijeba za nakupljanje vode i teče u isparivač kroz cijev za odlijevanje i tu sama isparava.



- Redovito provjeravajte da biste vidjeli je li cijev za odljev začepljena i po potrebi je očistite štapom u rupi.
- Odjeljak za brzo zamrzavanje ne obavlja automatsko odmrzavanje da bi se spriječilo propadanje zamrznute hrane.
- Inje u odjeljku škrinje se mora odmrznuti svakih 6 mjeseci. Preporučuje se da odmrzavate led kad odjeljak škrinje nije previše ispunjen ili je prazan.
- Da biste to uradili, omotajte zamrznutu hranu papirom i držite ju na najhladnijem mjestu ili u drugom hladnjaku, ukoliko je dostupan.
- Isključite svoj hladnjak tipkom za podešavanje temperature ili isključite kabel napajanja s utičnice. Možete staviti posudu ispunjenu vrućom vodom u odjeljak škrinje ili ostaviti vrata

odjeljka hladnjaka otvorena da biste ubrzali otapanje.

- Uklonite vodu koja se nakuplja u donjem odjeljku škrinje krpom ili spužvom koji dobro upijaju.
- Osušite do kraja odjeljak škrinje i vratite tipku postavki temperature na prethodni položaj.
- Prije vraćanja hrane u škrinju, neka vam hladnjak radi 2 sata prazan, sa zatvorenim vratima.



Zaustavljanje uređaja

Ako je vaš termostat opremljen s položajem „0“:

- Vaš uređaj će prestati raditi kad okrenete tipku termostata na položaj “0” (nula). Vaš uređaj se neće pokrenuti ako ne okrenete tipku termostata ponovno na položaj „1“ ili neki drugi položaj.

Ako je vaš termostat opremljen s položajem „min“:

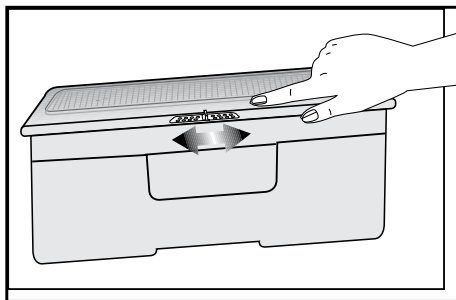
- Isključite uređaj s napajanja da biste ga zaustavili.

Klizne tipke za kontrolu vlažnosti u odjeljku za voće i povrće

Uporaba kliznih tipki za kontrolu vlažnosti u odjeljku za voće i povrće
Odjeljak za voće i povrće vašeg hladnjaka je napravljen posebno tako da vaše povrće održava svježim a da ne izgube svoju vlagu. Hladni zrak kruži oko odjeljka za voće i povrće a količina hladnog zraka koji prolazi kroz hladnjak se kontrolira pomoću kliznih tipki na prednjem dijelu poklopca hladnjaka.

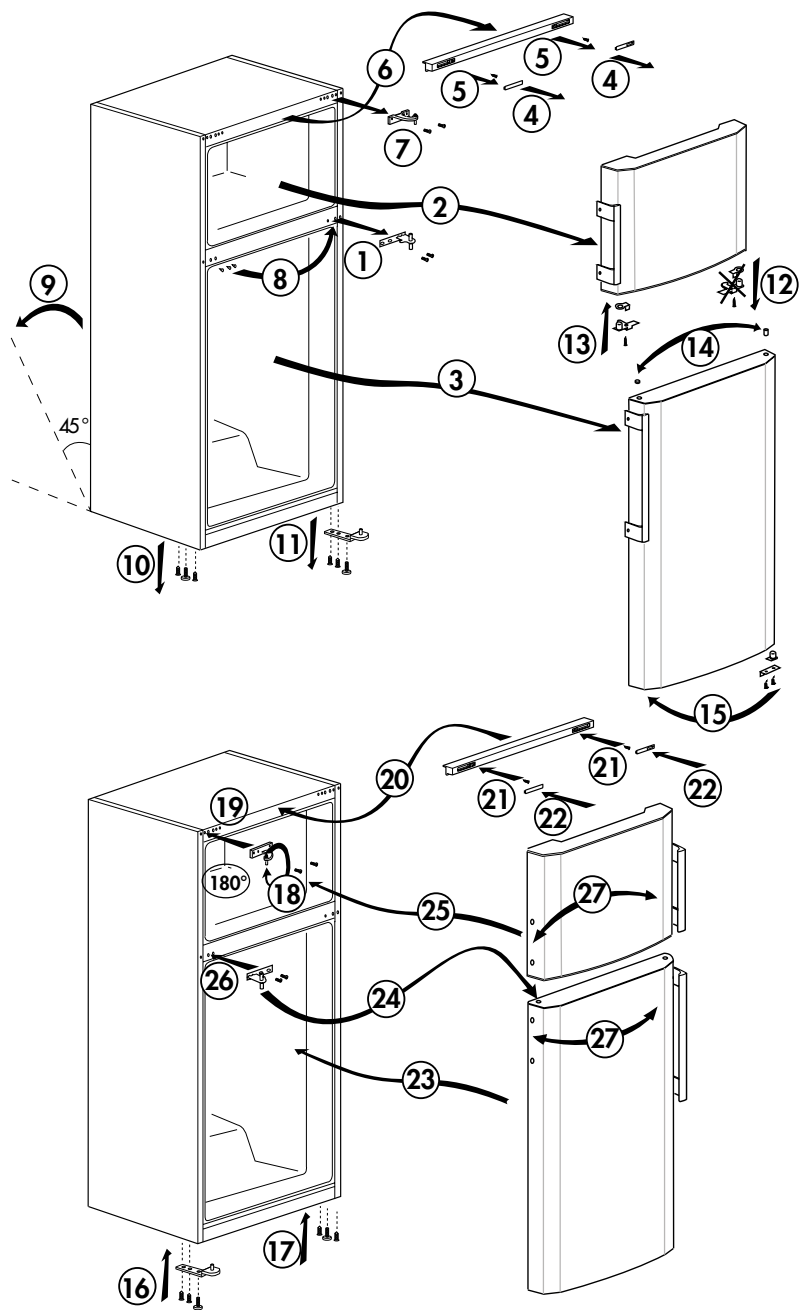
Možete prilagoditi klizne tipke za kontrolu vlažnosti na odgovarajući položaj prema vlažnosti i hlađenju vaše hrane u odjeljku za voće i povrće.

Ako želite da se hrana u odjeljku za voće i povrće više ohladi, otvorite otvore kliznih tipki za upravljanje vlažnošću a ako želite hladiti manje i održavati vlažnost dulje vrijeme, zatvorite otvore.



Mijenjanje smjera otvaranja vrata

Nastavite po rednim brojevima



6 Održavanje i čišćenje

- ⚠ Nikada za čišćenje nemojte koristiti benzin ili slične materijale.
- ⚠ Savjetujemo da isključite uređaj iz struje prije čišćenja.
- ❗ Nikada za čišćenje nemojte koristiti oštre predmete ili abrazivne tvari, sapun, tekućinu za čišćenje kućanstva, deterdžent ili vosak za poliranje.
- ❗ Koristite mlaku vodu za čišćenje kutije hladnjaka i osušite ga krpom.
- ❗ Koristite ocijeđenu vlažnu krpu potopljenu u otopini jedne žličice sode bikarbone na pola litre vode da biste očistili unutrašnjost i osušite je krpom.
- ⚠ Pazite da voda ne uđe u kućište lampe i druge električne dijelove.
- ⚠ Ako se aparat neće koristiti dulje vrijeme, isključite ga, izvadite svu hranu, očistite ga i ostavite vrata otvorena.

- ❗ Provjeravajte brtve na vratima redovito da biste bili sigurni da su čisti i da na njima nema dijelova hrane.
- ❗ Da biste skinuli police s vrata, izvadite sav sadržaj i tada jednostavno gurnite policu vrata gore iz osnove.

Zaštita plastičnih površina

- Ne stavljajte tekuće ulje ili jela kuhana na ulju u vaš hladnjak u nezatvorenim posudama jer oni mogu oštetiti plastične površine hladnjaka. U slučaju proljevanja ili razmazivanja ulja na plastičnim površinama, odmah očistite i isperite odgovarajuće dijelove površine toplom vodom.

7 Preporučenih rješenja za probleme

Molimo provjerite popis prije zvanja servisa. To vam može uštedjeti vrijeme i novac. Popis sadrži česte reklamacije koje nisu posljedica oštećenja u proizvodnji ili uporabi. Neke od opisanih mogućnosti možda ne postoje na vašem proizvodu.

Hladnjak ne radi

- je li hladnjak pravilno uključen na napajanje? Uključite utikač u utičnicu u zidu.
- Je li pregorio osigurač utičnice na koju je priključen vaš hladnjak? Provjerite osigurač.

kondenzacija na bočnoj stijenci odjeljka hladnjaka. (MULTI ZONA, UPRAVLJANJE HLAĐENJEM ili FLEKSI ZONA)

- Jako hladna okolina. Često otvaranje i zatvaranje vrata. Jako vlažna okolina. Čuvanje hrane koja sadrži tekućinu u otvorenim posudama. Ostavljanje vrata odškrinutim.
- Prebacivanje termostata na hladniji stupanj.
- Smanjivanje vremena kad su vrata otvorena ili rjeđa uporaba.
- Prekrivanje hrane spremljene u otvorenim posudama odgovarajućim materijalom.
- Obrišite kondenzat pomoću suhe krpe i provjerite ukoliko se i dalje javlja.

Kompresor ne radi

- Zaštitni termički dio kompresora će pregoreti tijekom naglih nestanaka el. energije ili isključivanja priključaka jer tlak rashladnog sredstva u sustavu za hlađenje hladnjaka nije jooš izbalansiran.
- Vaš hladnjak će početi s radom otprilike nakon 6 minuta. Molimo nazovite servis ako se vaš hladnjak ne uključi na kraju ovog razdoblja.
- Hladnjak je u ciklusu odmrzavanja. To je normalno za hladnjak s potpuno automatskim odmrzavanjem. Ciklus za odmrzavanje se događa periodički.
- Vaš hladnjak nije uključen u utičnicu. Pazite da je utikač dobro utaknut u zidnu utičnicu.
- Je li temperatura pravilno postavljena? Došlo je do nestanka struje. Zovite vašeg dobavljača el.energije.

Hladnjak radi često ili dugotrajno.

<ul style="list-style-type: none"> • Vaš novi hladnjak je možda širi od prethodnog. To je u potpunosti normalno. Veći hladnjaci rade dulje. • Sobna temperatura je možda visoka. To je potpuno normalno. • Hladnjak je možda nedavno priključen na el.energiju ili je možda napunjen hranom. Potpuno hlađenje hladnjaka može trajati nekoliko sati dulje. • Možda su nedavno u hladnjak stavljene velike količine tople hrane. Topla hrana uzrokuje dulji rad hladnjaka dok ne dostigne sigurnu temperaturu za čuvanje. • Vrata su možda često otvarana ili ostavljena odškrinuta dulje vrijeme. Topli zrak koji je ušao u hladnjak uzrokuje da hladnjak radi dulje vrijeme. Rjeđe otvarajte vrata. • Vrata škrinje ili hladnjaka su možda bila odškrinuta. Provjerite jesu li vrata čvrsto zatvorena. • Hladnjak je postavljen na vrlo nisku temperaturu. Prilagodite temperaturu hladnjaka na topliju razinu dok se ne postigne temperatura. • Brtva vrata hladnjaka ili škrinje može biti prljava, pohabana, oštećena ili nije dobro sjela. Očistite ili zamijenite brtvu. Oštećena/pokidana brtva uzrokuje dulji rad hladnjaka da bi se održala trenutna temperatura.
Temperatura hladnjaka je vrlo niska dok je temperatura frižidera dovoljna.
<ul style="list-style-type: none"> • Temperatura hladnjaka je postavljena na vrlo nisku temperaturu. Prilagodite temperaturu hladnjaka na topliji stupanj i provjerite.
Temperatura frižidera je vrlo niska dok je temperatura hladnjaka dovoljna.
<ul style="list-style-type: none"> • Temperatura hladnjaka je postavljena na vrlo nisku temperaturu. Prilagodite temperaturu hladnjaka na topliji stupanj i provjerite.
Hrana koja se čuva i ladicama hladnjaka se smrzava.
<ul style="list-style-type: none"> • Temperatura hladnjaka je postavljena na vrlo nisku temperaturu. Prilagodite temperaturu hladnjaka na topliji stupanj i provjerite.
Temperatura u hladnjaku ili škrinji je previsoka.
<ul style="list-style-type: none"> • Temperatura hladnjaka je postavljena na vrlo visoku temperaturu. Prilagođavanje hladnjaka ima utjecaja na temperaturu škrinje. Mijenjajte temperaturu hladnjaka ili škrinje dok temperatura hladnjaka ili škrinje ne dosegne dovoljnu razinu. • Možda su vrata odškrinuta. Zatvorite vrata do kraja. • Možda su nedavno u hladnjak stavljene velike količine tople hrane. Čekajte dok hladnjak ili škrinja ne dosegnu željenu temperaturu. • Hladnjak je možda uključen nedavno. Potpuno hlađenje hladnjaka može potrajati zbog veličine.
Iz hladnjaka dolazi buka slična sekundama oja se čuje iz analognog sata.

<ul style="list-style-type: none"> • Ova buka dolazi iz elektromagnetskog ventila hladnjaka. Elektromagnetski ventil služi osiguravanju prolaska rashladnog sredstva kroz odjeljak koji se može prilagoditi temperaturama hlađenja ili zamrzavanja i obavljanja funkcija hlađenja. to je normalno i nije uzrok kvara.
Buka tijekom rada se povećava kad hladnjak radi.
<ul style="list-style-type: none"> • Radne performanse hladnjaka se mogu promijeniti ovisno o promjenama sobne temperature. To je normalno i ne predstavlja kvar.
Vibracije ili buka.
<ul style="list-style-type: none"> • Pod nije ravan ili je slab. Hladnjak se njiše kad se polako pomiče. Pazite da je pod ravan, jak i da može nositi hladnjak. • Buka može biti uzrokovana predmetima koji se nalaze na hladnjaku. Takvi predmeti se moraju ukloniti s hladnjaka.
Čuje se buka poput prolijevanja tekućine ili špricanja.
<ul style="list-style-type: none"> • Protok tekućine i plinova se događa u skladu s radnim principima vašeg hladnjaka. To je normalno i ne predstavlja kvar.
Čuje se buka poput puhanja vjetra.
<ul style="list-style-type: none"> • Aktivatori zraka (ventilatori) se koriste da bi se hladnjak učinkovito hladio. To je normalno i ne predstavlja kvar.
Kondenzacija na unutarnjim stjenkama hladnjaka.
<ul style="list-style-type: none"> • Toplo i vlažno vrijeme povećava nastanak leda i kondenziranje. To je normalno i ne predstavlja kvar. • Vrata su odškrinuta. Pazite da su vrata zatvorena do kraja. • Vrata su možda često otvarana ili su dulje vrijeme bila otvorena. Rjeđe otvarajte vrata.
Vlaga se pojavljuje na vanjskom dijelu hladnjaka ili između vrata.
<ul style="list-style-type: none"> • Možda je vlažno vrijeme. To je potpuno normalno kod vlažnog vremena. Kad je vlažnost manja, kondenzat će nestati.
Neugodan miris unutar hladnjaka.
<ul style="list-style-type: none"> • Mora se očistiti unutrašnjost hladnjaka. Očistite unutrašnjost hladnjaka spužvom, toplom ili gaziranom vodom. • Neugodan miris možda uzrokuju neke posude ili materijali pakiranja. Koristite neku drugu posudu ili drugačiju marku materijala za pakiranje.
Vrata se ne zatvaraju.
<ul style="list-style-type: none"> • Paketi hrane možda sprječavaju zatvaranje vrata. Uklonite pakete hrane koji smetaju vratima. • Hladnjak vjerojatno nije potpuno okomit prema podu i možda se njiše kad se lagano pomiče. Prilagodite vijke za podizanje. • Pod nije ravan ili jak. Pazite da je pod ravan i da može nositi hladnjak.
Odjeljci za voće i povrće su zaglavljani.
<ul style="list-style-type: none"> • Hrana možda dodiruje vrh ladice. Presložite hranu u ladici.

48 9291 0000/AA
EN-DE-FR-IT-HR