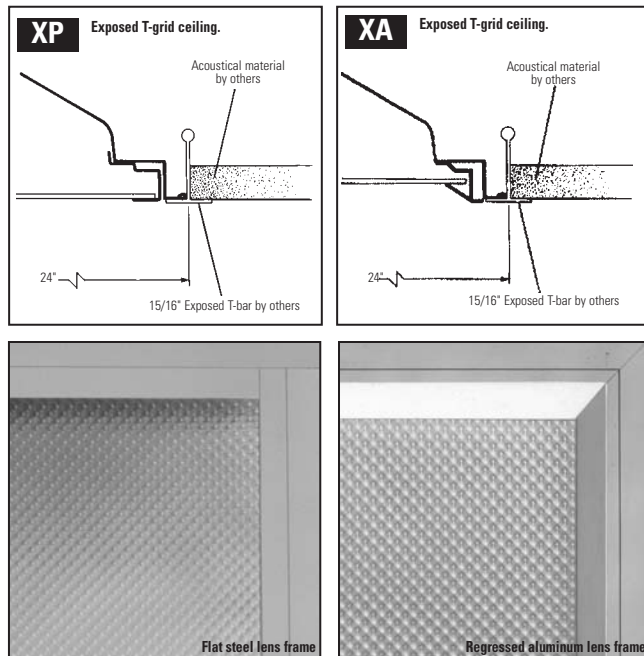


Features

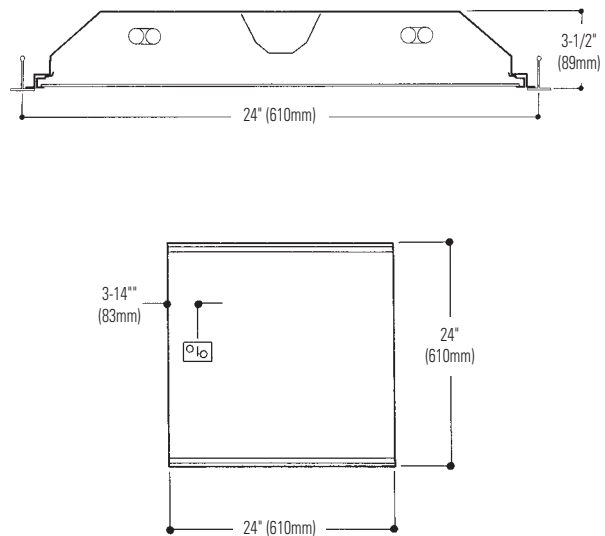
- Efficiency 84.1% (TT5 lamps)
- One piece housing
- Only 3-1/2" nominal deep body
- Flat steel full-size lens frame
- Regressed extruded aluminum lens frame
- Cam-action latches
- UL-Listed twin knockout access plate for easy closed lens frame wiring



Mounting Methods



Dimensions



Job Information	Type:
Job Name:	
Cat. No.:	
Lamp(s):	
Volts/Ballast:	


For Factory Technical Information: (978) 657-7600 • Fax (978) 658-0595
631 Airport Road, Fall River, MA 02720 • (508) 679-8131 • Fax (508) 674-4710
We reserve the right to change details of design, materials and finish.
www.lightolier.com © 2008 a Philips Group

03/08

Section 1A/Folio F60-55 Rev. A

Photometry

Model No. **XP2GVA2FT120SB**



**GIL TESTING
LABORATORY**

45 Industrial Way
Wilmington, MA 01887
(978) 657-7600

REPORT NO.: G03129 DATE: 12/31/03
 CATALOG NO.: XP2GVA2FT120SB
 LAMP(S): 2 FT TWIN TUBE/TT5, EACH RATED 3150 LUMENS.
 LUMINAIRE: XT 2X2 2U BIAX WITH P12 .090 LENS

CANDELA DISTRIBUTION **FLOX**

0.0	22.5	45.0	67.5	90.0	
0	2160	2160	2160	2160	2160
5	2152	2150	2131	2113	2152
15	2057	2065	2088	2112	2123
25	1869	1892	1954	2011	2035
35	1574	1611	1702	1792	1836
45	1191	1236	1333	1402	1435
55	800	803	873	886	899
65	491	458	444	490	509
75	241	218	195	248	278
85	83	82	81	100	101
90	11	12	11	11	11

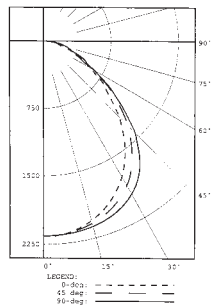
ZONAL LUMEN SUMMARY

ZONE	LUMENS	%LAMP	%FIXT
0-30	1625	24.9	32.0
0-40	2759	43.8	52.1
0-60	4507	71.5	85.0
0-90	5300	84.1	100.0
90-180	0	0.0	0.0
0-180	5300	84.1	100.0

TOTAL LUMINAIRE EFFICIENCY = 84.1 %
 TOTAL REFLECTANCE OF PAINT = 90.0 %
 CIE TYPE - DIRECT
 PLANE : 0-DEG 90-DEG
 SPACING CRITERIA : 1.2 1.3
 PLANE : 0-DEG 90-DEG
 LUMINOUS LENGTH : 21.720 21.720

LUMINANCE DATA IN CANDELA/SQ M
 ANGLE AVERAGE AVERAGE
 IN DEG 0-DEG 45-DEG 90-DEG

45	5532.	6192.	6665.
55	4581.	4999.	5148.
65	3816.	3451.	3956.
75	3058.	2475.	3588.
85	3128.	3052.	3806.



THIS REPORT IS BASED ON PUBLISHED INDUSTRY PROCEDURES - FIELD PERFORMANCE MAY VARY FROM LABORATORY PERFORMANCE.

LER = FL - 74.3 IW - 58 BF - 0.87

Comparative yearly lighting energy cost per 1000 lumens = \$3.24

coefficients of utilization — zonal cavity method (effective floor cavity reflectance 0.20)

RF	20			20			20		
	RC	80	50	50	30	10	50	30	10
RW	70	50	30	50	30	10	50	30	10
1	92	85	89	83	81	78	80	78	76
2	85	78	73	74	70	66	71	68	65
3	78	69	63	66	61	56	63	59	55
4	72	62	55	59	53	49	57	52	48
5	66	56	49	53	47	43	52	46	42
6	61	51	43	48	42	38	47	42	37
7	57	46	39	44	38	34	43	37	33
8	53	42	35	40	34	30	39	34	30
9	50	39	32	37	31	27	36	31	27
10	47	36	29	35	29	25	34	29	25

visual comfort probability (rated lumens per lamp 2850.)

room size	ceiling height				ceiling height					
	W	L	8.5	10.0	13.0	16.0	8.5	10.0	13.0	16.0
20	20	20	53	57	65	74	51	55	62	70
20	30	30	46	50	54	62	43	47	52	59
20	40	40	43	45	49	54	39	42	46	51
20	60	60	40	42	45	49	35	38	41	45
30	20	20	55	58	64	71	53	57	62	69
30	30	30	47	50	54	60	45	48	52	57
30	40	40	43	45	48	52	39	42	46	50
30	60	60	39	42	43	47	35	38	40	44
30	80	80	38	40	41	44	34	36	37	40
40	20	20	56	60	65	71	55	59	64	69
40	30	30	49	52	55	59	46	50	53	57
40	40	40	44	45	49	52	41	44	47	50
40	60	60	40	42	44	47	36	39	40	44
40	80	80	38	40	40	43	34	36	37	40
40	100	100	38	39	39	41	34	35	35	38
60	30	30	49	53	55	60	48	52	54	58
60	40	40	45	47	49	52	42	45	48	51
60	60	60	40	43	44	47	37	40	41	44
60	80	80	38	40	40	43	35	37	37	40
60	100	100	38	39	38	41	34	35	35	37
100	40	40	47	50	51	55	46	48	50	54
100	60	60	43	45	45	49	41	43	43	47
100	80	80	41	42	42	44	38	39	39	42
100	100	100	39	40	39	42	36	37	36	38

Ordering Information

Explanation of Catalog Number. Example: XP2GVA2FT120SBGLR

XP	2	G	VA	2	FT							
XP = Recessed Fluorescent with Flat Steel Lens Frame XA = Recessed Fluorescent with Regressed Aluminum Lens Frame	Fixture Width	Ceiling Type: G = Grid (lay-in) T-bar	Lens Shielding Type: VA = Virgin Acrylic (standard) see options and consult factory	Lamp Quantity: (By others) 2 = 2 Lamp	Lamp Fixture Length: FT = Twin Tube (T5) (Nominal 24")	Voltage: 120, 277 or UNV=120-277	Ballast Type: <20THD <10THD SB* IB* PB -	Options: Lamps Flex Fuse (Consult your representative)	1-2 Lamp Elec. (TT5) LOL TT5 Dimming *Instant Start Standard Other dimming options. Consult factory.			

Options/Accessories

Special Lens: Substitute **VY** for .125" nominal pattern 12 with 7.8 oz. average weight per square foot. Substitute **VI** for .125" normal pattern 12 with 6.8 oz. average weight per square foot.

Access Plates: Top wiring access plate is shipped with fixture as standard. When access plates are required in advance for wiring convenience, specify separately. Order Catalog Number: **ACP CSP**.

Electrical Wiring Options: Consult factory.

Fusing: Internal fast-blow fusing. Suffix: **GLR**.
Internal slow-blow fusing. Suffix: **GMF**.

Radio Interference Filter: 120 or 277 volt, 50 or 60 Hz. One per fixture: Suffix: **R**. One per ballast: Suffix: **B**.

Drywall Kit: G type fixtures for drywall or plaster ceilings. Order Catalog Number: **FK92X2**.

Specifications

Performance: In an installation of 2 lamps 40 W luminaires in a room cavity ratio of 1, with reflectance of 80% ceiling, 50% walls, 20% floor, the C.U. shall not be less than .89. To reduce glare the VCP shall not be less than 37 either lengthwise or crosswise (at 100 fc level) and the average brightness at 65 shall not exceed 3956 footlamberts. To control veiling reflections, luminaire output in the 30°-90° zone shall be not less than 68%.

Specifications (continued)

Materials: Chassis parts are die-formed code gauge cold rolled steel. Lens frames—(XP) flat full-size steel frame, (XA) regressed full-size aluminum frame.

Finish: Chassis exterior—white baked polyester enamel. Cavity—white baked polyester enamel minimum 86% reflectance. Phosphate undercoating.

Lens: Extruded virgin acrylic 3/16" square based female cones, running 45° to the panel edge. .095" nominal thickness (similar to pattern 12).

Electrical: Thermally protected class "P" ballast C.B.M. approved, non PCB. If K.O. is with in 3" of ballast, use wire suitable for at least 90°.

Labels: I.B.E.W./UL and ULc Listed.

This product may have a mercury containing lamp. Manage in accord with Disposal Laws. See: www.lamprecycle.org

Job Information

Type:

For Factory Technical Information: (978) 657-7600 • Fax (978) 658-0595
631 Airport Road, Fall River, MA 02720 • (508) 679-8131 • Fax (508) 674-4710

We reserve the right to change details of design, materials and finish.

www.lightolier.com © 2008 a Philips Group

Section 1A/Folio F60-55 Rev. A