

Register your product and get support at  
[www.philips.com/welcome](http://www.philips.com/welcome)

MCM2000



---

EN	User manual	3
DE	Benutzerhandbuch	21
ES	Manual del usuario	41
FR	Mode d'emploi	59

---

IT	Manuale utente	77
NL	Gebruiksaanwijzing	97
PT	Manual do utilizador	117
SV	Användarhandbok	137

# PHILIPS

# Contents

---

<b>1</b>	<b>Important</b>	4
	Safety	4
	Notice	5

---

<b>2</b>	<b>Your Micro Music System</b>	6
	Introduction	6
	What's in the box	6
	Overview of the main unit	7
	Overview of the remote control	8

---

<b>3</b>	<b>Get started</b>	9
	Connect speakers	9
	Connect FM aerial	10
	Connect power	10
	Prepare the remote control	10
	Demonstrate the unit's features	11
	Set clock	11
	Turn on	11
	Store radio stations automatically	12

---

<b>4</b>	<b>Play</b>	12
	Basic play operations	12
	Play from disc	13
	Play from USB	13
	Adjust sound	13

---

<b>5</b>	<b>Listen to FM radio</b>	14
	Tune to FM radio stations	14
	Program radio stations automatically	14
	Program radio stations manually	14
	Tune to a preset radio station	14
	Show RDS information	15

---

<b>6</b>	<b>Other features</b>	15
	Set alarm timer	15
	Set sleep timer	16
	Listen to external audio device	16
	Listen through headphone	16

---

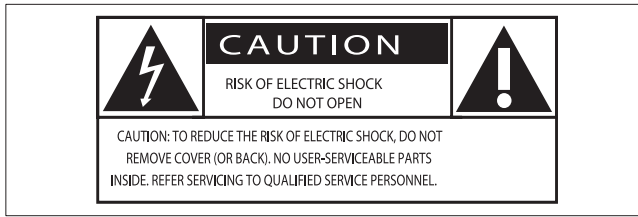
<b>7</b>	<b>Product information</b>	16
	Specifications	16
	USB playability information	17
	Supported MP3 disc formats	18

---

<b>8</b>	<b>Troubleshooting</b>	18
----------	------------------------	----

# 1 Important

## Safety



This 'bolt of lightning' indicates uninsulated material within your unit may cause an electrical shock. For the safety of everyone in your household, please do not remove product covering.

The 'exclamation point' calls attention to features for which you should read the enclosed literature closely to prevent operating and maintenance problems.

**WARNING:** To reduce the risk of fire or electric shock, this apparatus should not be exposed to rain or moisture and objects filled with liquids, such as vases, should not be placed on this apparatus.

**CAUTION:** To prevent electric shock, match wide blade of plug to wide slot, fully insert.

### Warning

- Never remove the casing of this apparatus.
- Never lubricate any part of this apparatus.
- Never place this apparatus on other electrical equipment.
- Keep this apparatus away from direct sunlight, naked flames or heat.
- Ensure that you always have easy access to the power cord, plug or adaptor to disconnect the apparatus from the power.

- The device shall not be exposed to dripping or splashing.

- Do not place any source of danger on the device (e.g. liquid filled objects, lit candles).
- Where the MAINS plug or an appliance coupler is used as the disconnect device, the disconnect device shall remain readily operable.

### Caution

- Use of controls or adjustments or performance of procedures other than herein may result in hazardous radiation exposure or other unsafe operation.

## Hearing Safety

### Caution

- To avoid hearing damage, limit the time you use the headphones at high volume and set the volume to a safe level. The louder the volume, the shorter is the safe listening time.

### Be sure to observe the following guidelines when using your headphones.

- Listen at reasonable volumes for reasonable periods of time.
- Be careful not to adjust the volume continuously upwards as your hearing adapts.
- Do not turn up the volume so high that you can't hear what's around you.
- You should use caution or temporarily discontinue use in potentially hazardous situations.
- Excessive sound pressure from earphones and headphones can cause hearing loss.

## Notice

Any changes or modifications made to this device that are not expressly approved by Philips Consumer Lifestyle may void the user's authority to operate the equipment.



This product complies with the radio interference requirements of the European Community.

This product complies with the requirements of the following directives and guidelines: 2004/108/EC + 2006/95/EC



Your product is designed and manufactured with high quality materials and components, which can be recycled and reused.



When this crossed-out wheeled bin symbol is attached to a product it means that the product is covered by the European Directive 2002/96/EC.

Please inform yourself about the local separate collection system for electrical and electronic products.

Please act according to your local rules and do not dispose of your old products with your normal household waste. Correct disposal of your old product helps to prevent potential negative consequences for the environment and human health.



Your product contains batteries covered by the European Directive 2006/66/EC, which cannot be disposed with normal household

waste. Please inform yourself about the local rules on separate collection of batteries because correct disposal helps to prevent negative consequences for the environmental and human health.

### Environmental information

All unnecessary packaging has been omitted. We have tried to make the packaging easy to separate into three materials: cardboard (box), polystyrene foam (buffer) and polyethylene (bags, protective foam sheet.)

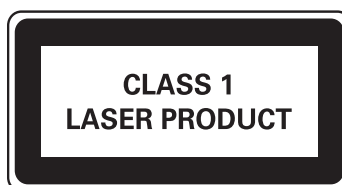
Your system consists of materials which can be recycled and reused if disassembled by a specialized company. Please observe the local regulations regarding the disposal of packaging materials, exhausted batteries and old equipment.



**Be responsible  
Respect copyrights**

The making of unauthorized copies of copy-protected material, including computer programs, files, broadcasts and sound recordings, may be an infringement of copyrights and constitute a criminal offence. This equipment should not be used for such purposes.

**This apparatus includes this label:**



### Note

- The type plate is located on the bottom of the apparatus.

## 2 Your Micro Music System

Congratulations on your purchase, and welcome to Philips! To fully benefit from the support that Philips offers, register your product at [www.philips.com/welcome](http://www.philips.com/welcome).

---

### Introduction

With this unit, you can:

- enjoy audio from discs, USB devices, and other external devices
- listen to radio stations

You can enrich sound output with these sound effects:

- Digital Sound Control (DSC)
- Dynamic Bass Boost (DBB)

The unit supports these media formats:



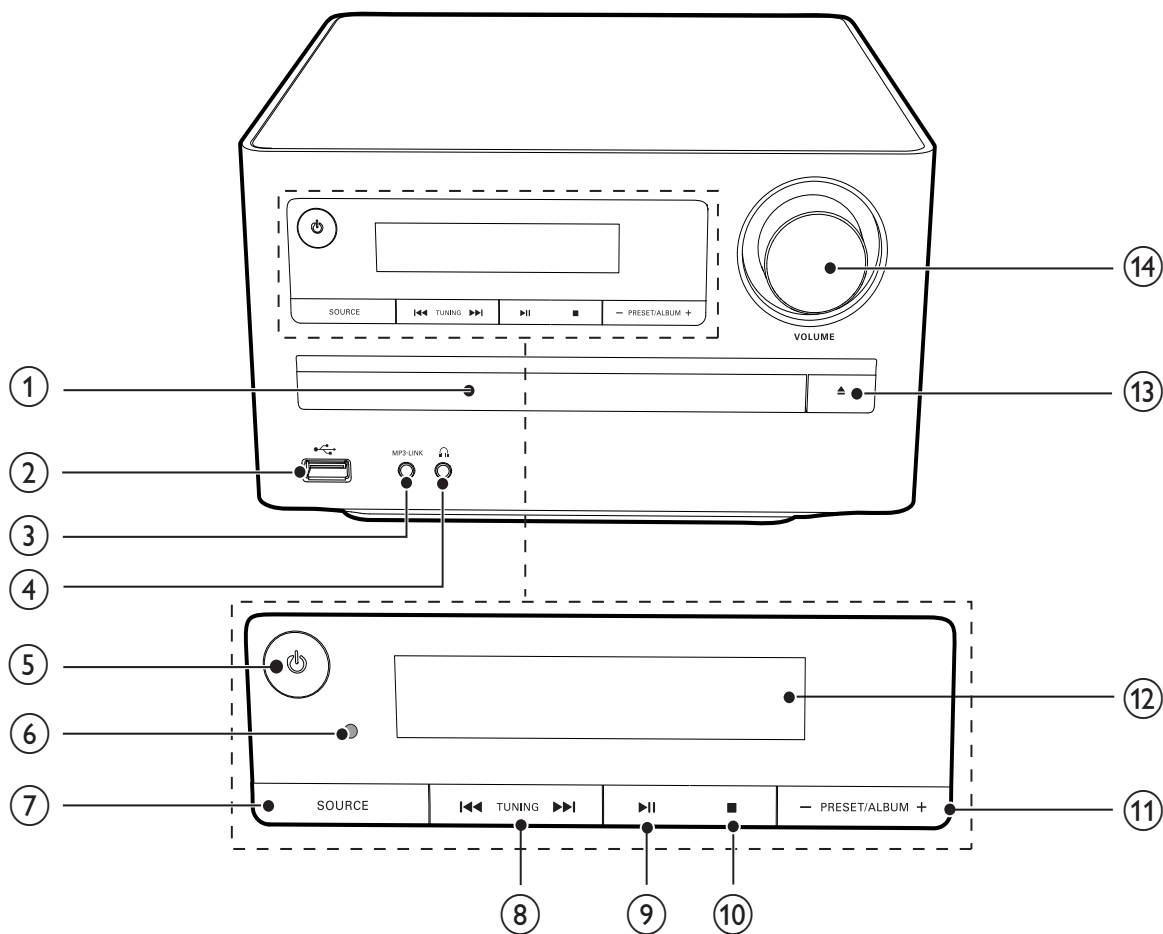
---

### What's in the box

Check and identify the contents of your package:

- Main unit
- Remote control
- Speaker boxes (×2)
- FM antenna
- User manual
- Quick start guide

## Overview of the main unit



### ① Disc compartment

- Hold the disc.

### ②

- USB socket.

### ③ MP3 LINK

- Connect external audio device.

### ④

- Headphone socket.

### ⑤

- Turn on the apparatus, switch to standby mode, or Eco Power standby mode.

### ⑥ IR sensor

- Detect signals from the remote control. Always point the remote control at the IR sensor.

### ⑦ SOURCE

- Select a source.

### ⑧

- Skip to previous/next track.
- Search within a track/disc.
- Tune to a radio station.

### ⑨

- Start or pause play.

### ⑩

- Stop play.
- Erase a program.

### ⑪ -PRESET/ALBUM+

- Skip to previous/next album.
- Select a preset radio station.

### ⑫ Display panel

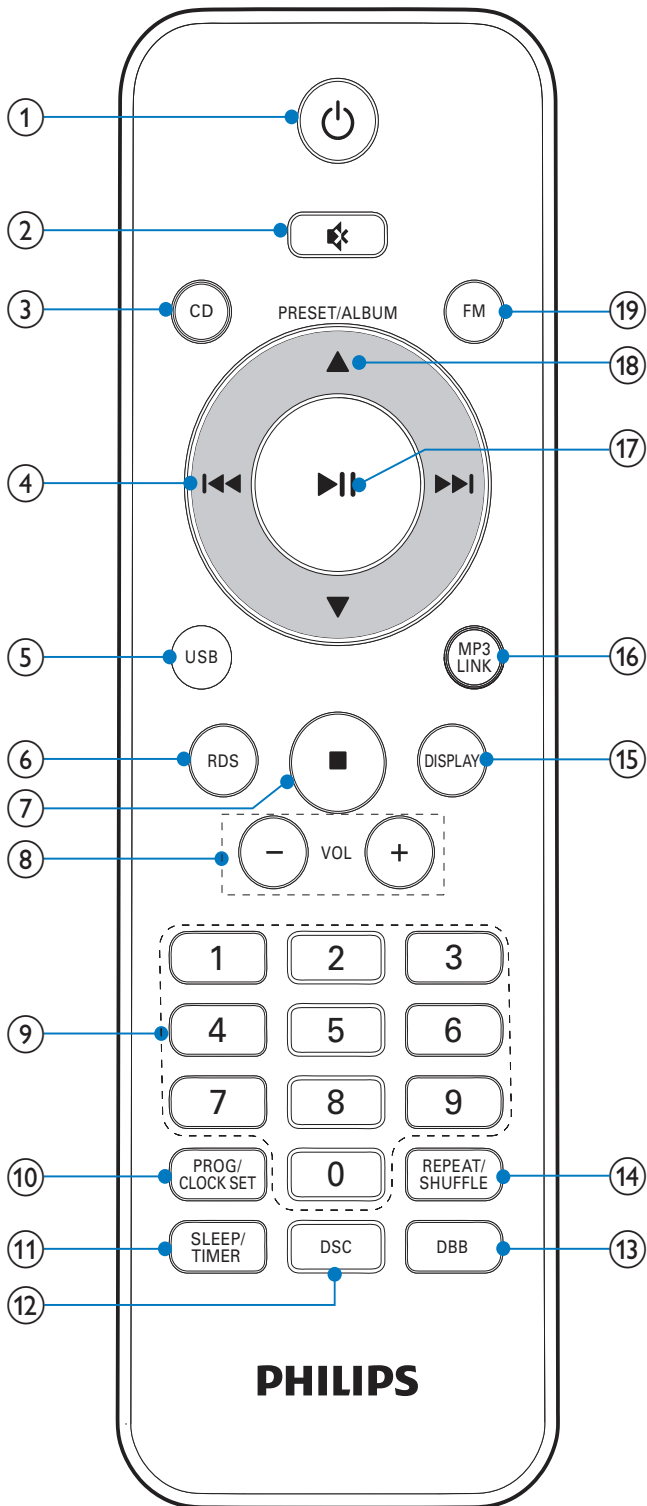
- Show current status.

### ⑬

- Open or close the disc tray.

- ⑭ **VOLUME**
- Adjust volume.
  - Adjust time.

## Overview of the remote control



- ① **⏻**
- Turn on the unit.
  - Switch to standby or Eco Power standby mode.
- ② **🔇**
- Mute volume.
- ③ **CD**
- Select CD source.
- ④ **⏮ / ⏭**
- Skip to previous/next track.
  - Search within a track/disc.
  - Tune to a radio station.
- ⑤ **USB**
- ⑥ **RDS**
- For selected FM radio stations: display RDS information.
  - Synchronize clock with RDS station.
- ⑦ **■**
- Stop play.
  - Erase a program.
- ⑧ **VOL +/-**
- Adjust volume.
- ⑨ **Numeric keypad**
- Select a track directly.
- ⑩ **PROG/CLOCK SET**
- Program tracks.
  - Program radio stations.
  - Set clock.
- ⑪ **SLEEP/TIMER**
- Set sleep timer.
  - Set alarm timer.
- ⑫ **DSC**
- Select a preset sound setting.
- ⑬ **DBB**
- Turn on or off dynamic bass enhancement.
- ⑭ **REPEAT/SHUFFLE**
- Play tracks randomly.
  - Select a repeat play mode.

- ⑮ **DISPLAY**
  - Display play information.
- ⑯ **MP3 LINK**
  - Select MP3 source.
- ⑰ **▶ ||**
  - Start or pause play.
  - Select FM stereo or FM mono.
- ⑱ **PRESET/ALBUM ▲ / ▼**
  - Skip to previous/next album.
  - Select a preset radio station.
- ⑲ **FM**
  - Select FM radio source.

## 3 Get started



### Caution

- Use of controls or adjustments or performance of procedures other than herein may result in hazardous radiation exposure or other unsafe operation.

Always follow the instructions in this chapter in sequence.

If you contact Philips, you will be asked for the model and serial number of this apparatus. The model number and serial number are on the bottom of the apparatus. Write the numbers here:

Model No. \_\_\_\_\_

Serial No. \_\_\_\_\_

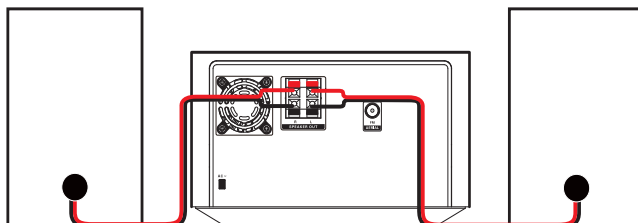
## Connect speakers



### Note

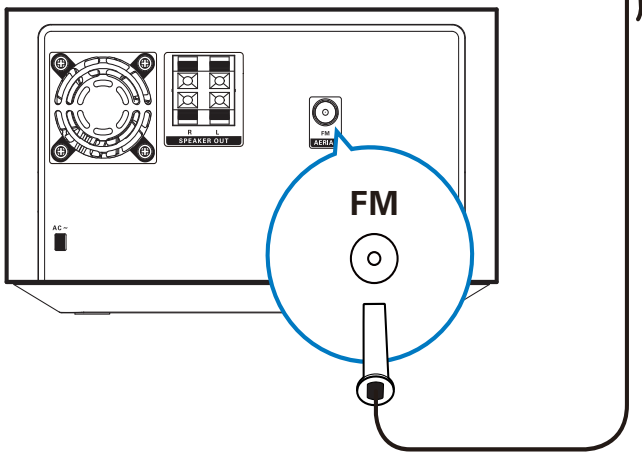
- For optimal sound, use the supplied speakers only.
- Connect only speakers with impedance that is the same or higher than the supplied speakers. Refer to the Specifications section of this manual.

- 1 Insert the speaker wires completely into the speaker input sockets on the back of the unit.





## Connect FM aerial



### Tip

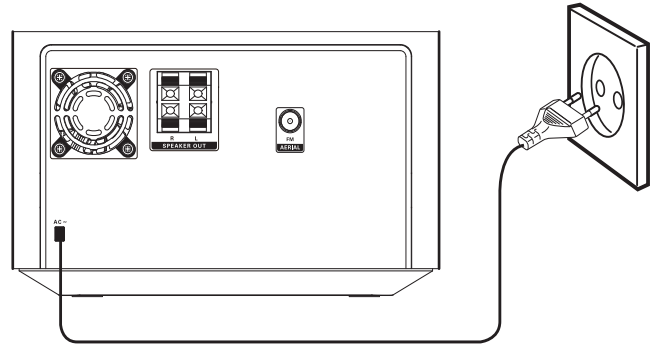
- For optimal reception, fully extend and adjust the position of the antenna.
- For better FM stereo reception, connect an outdoor FM antenna to the **FM AERIAL** socket.
- The unit does not support MW radio reception.

- 1 Connect the supplied FM antenna to the **FM AERIAL** socket on the main unit.

## Connect power

### Caution

- Risk of product damage! Ensure that the power supply voltage corresponds to the voltage printed on the back or the underside of the unit.
- Risk of electric shock! When you unplug the AC power cord, always pull the plug from the socket. Never pull the cord.
- Before you connect the AC power cord, ensure that you have completed all other connections.



- 1 Connect the power cable to the wall socket.

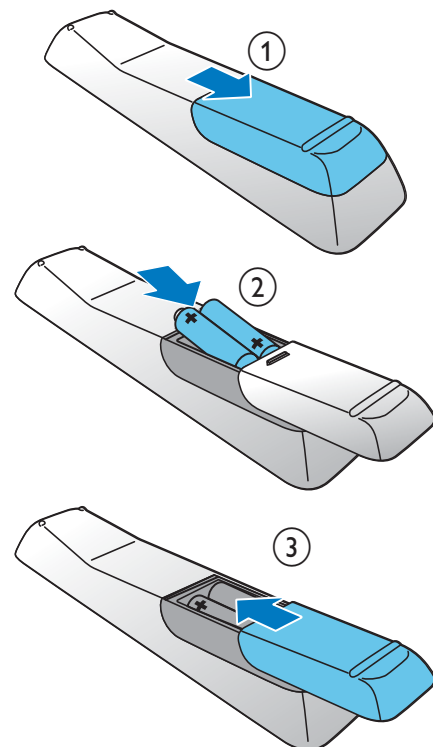
## Prepare the remote control

### Caution

- Risk of explosion! Keep batteries away from heat, sunshine, or fire. Never discard batteries in fire.

To insert the remote control battery:

- 1 Open the battery compartment.
- 2 Insert 2 AAA batteries with correct polarity (+/-) as indicated.
- 3 Close the battery compartment.



**Note**

- If you are not going to use the remote control for a long time, remove the batteries.
- Do not use old and new or different types of batteries in combination.
- Batteries contain chemical substances, so they should be disposed of properly.

---

## Demonstrate the unit's features

- 1 In the standby mode, press **■** until "DEMO ON" is displayed.
  - ↳ This system's features are displayed one by one.
    - To turn off the demonstration, press **■** again.

---

## Set clock

- 1 In standby mode, press **PROG/CLOCK SET** for 3 seconds to activate clock setting mode.
  - ↳ **[CLOCK SET]** scrolls on the display, then the time format **[24H]** and **[12H]** appears.
- 2 Press **▲ / ▼** to select 24H or 12H, then press **PROG/CLOCK SET** to confirm.
  - ↳ The hour digits begin to blink.
- 3 Press **▲ / ▼** to set hour, then press **PROG/CLOCK SET** again.
  - ↳ The minute digits begin to blink.
- 4 Press **▲ / ▼** to set minute.
- 5 Press **PROG/CLOCK SET** to confirm the clock setting.

**Note**

- To exit clock setting mode without storing, press **■**.
- If no button is pressed in 90 seconds, the system exits clock setting mode automatically.

---

## Turn on

- 1 Press **⏻**.
  - ↳ The unit switches to the last selected source.

---

## Switch to standby mode

- 1 Press **⏻** for over 3 seconds to switch the unit to Eco Power Standby mode.
  - ↳ The backlight on the display panel turns off.

### To switch the unit to standby mode:

- 1 In Eco Power Standby mode, press **⏻** for over 3 seconds.
  - ↳ The clock (if set) appears on the display panel.

---

## Store radio stations automatically

If no radio stations are stored, the unit can store radio stations automatically.

- 1 Turn on the unit.
- 2 Press FM.
  - ↳ [AUTO INSTALL -- PRESS PLAY -- STOP CANCEL] (press ►|| to start automatic installation, or press ■ to cancel) is displayed.
- 3 Press ►||.
  - ↳ The unit automatically stores radio stations with sufficient signal strength.
  - ↳ After all available radio stations are stored, the first stored radio station is broadcast automatically.

---

## 4 Play

---

### Basic play operations

You can control play through following operations.

Key	Function
◀◀ / ▶▶	To select a track or file. Press and hold to fast-forward/ fast-reverse the track during playback, then release to resume play.
►	To pause/resume play during playback.
DISPLAY	To select different play information.
REPEAT/ SHUFFLE	To select a repeat play mode: [REP] (repeat): play current track repeatedly. [REP ALL] (repeat all): play all tracks repeatedly. [SHUF](shuffle): play tracks randomly. Press repeatedly to return to normal play.



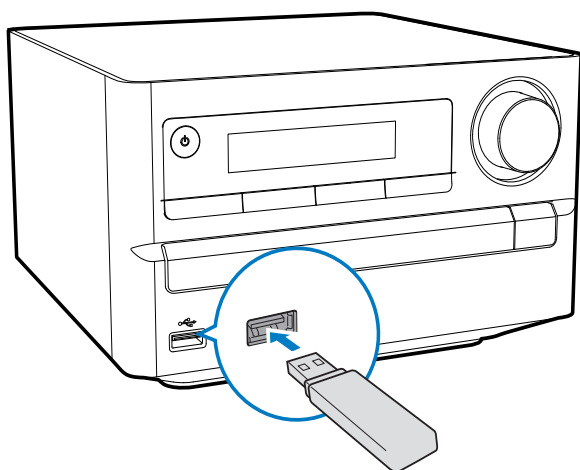
#### Note

- You can also use numeric keys to select a track. If you want to select a track number larger than 10, press the first number; and then press the second number within 3 seconds. For example, if you want to select track 15, press the numeric key "1", and then press "5" within 3 seconds.

## Play from disc

- 1 Press **CD** to select the CD source.
- 2 Press **OPEN/CLOSE**.  
↳ The disc compartment opens.
- 3 Place a disc with the printed side facing up, then press **▲**.
- 4 Play starts automatically.
  - If play does not start, press **◀◀ / ▶▶** to select a track, then press **▶▶**.

## Play from USB



Ensure that the USB device contains playable audio contents for supported formats.

- 1 Insert the USB device into the USB socket.
- 2 Press **USB** to select the USB source.  
↳ Play starts automatically. If not, press **ALBUM/PRESET** to select a folder and **◀◀ / ▶▶** to select a file. Then press **▶▶** to start play.

## Adjust sound

During play, you can adjust volume through following operations.

Key	Function
<b>VOL +/-</b>	To increase/decrease the volume.
<b>⊘</b>	To mute/restore sound.
<b>DBB</b>	To turn on or off dynamic bass enhancement. If DBB is activated, <b>[DBB]</b> is displayed.
<b>DSC</b>	To select your desired sound effect: <b>[POP]</b> (pop) <b>[JAZZ]</b> (jazz) <b>[ROCK]</b> (rock) <b>[FLAT]</b> (flat) <b>[CLASSIC]</b> (classic)

# 5 Listen to FM radio

## Tune to FM radio stations

### Note

- Ensure that you have connected and fully extended the supplied FM antenna.

- 1 Press **FM**.
- 2 Press and hold **◀◀ / ▶▶** to tune to a radio station.
- 3 When the frequency starts to change, release the button.  
↳ The FM tuner tunes to a station with strong reception automatically.
- 4 Repeat steps 2-3 to tune to more stations.

### To tune to a weak station:

Press **◀◀ / ▶▶** repeatedly until you find optimal reception.

## Program radio stations automatically

### Note

- You can program a maximum of 20 preset radio stations.

- 1 In FM tuner mode, press **PROG/CLOCK SET** for 3 seconds to activate automatic programming.  
↳ **[AUTO]** (auto) is displayed.  
↳ The unit stores all the FM radio stations automatically and then broadcasts the first preset radio station.

## Program radio stations manually

### Note

- You can program a maximum of 20 preset radio stations.

- 1 Tune to a radio station.
- 2 Press **PROG/CLOCK SET** to activate programming mode.
- 3 Press **▲ / ▼** to select a number from 1–20 for this radio station, then press **PROG/CLOCK SET** to confirm.  
↳ The preset number and the frequency of the preset station are displayed.
- 4 Repeat steps 2-3 to program other stations.

### Note

- To overwrite a programmed station, store another station in its place.

## Tune to a preset radio station

- 1 Press **▲ / ▼** to select a preset number.

## Show RDS information

RDS (Radio Data System) is a service that allows FM stations to show additional information. If you tune to an RDS station, an RDS icon and the station name are displayed.

- 1 Tune to an RDS station.
- 2 Press **RDS** repeatedly to scroll through the following information (if available):
  - ↳ Station name
  - ↳ Program type such as **[NEWS]** (news), **[SPORT]** (sport), **[POP M]** (pop music)...
  - ↳ RDS clock
  - ↳ Frequency

## Synchronize clock with RDS

You can synchronize time shown on the unit with that on the RDS station.

- 1 Tune to a RDS radio station that transmits time signals.
- 2 Press **RDS** for over 2 seconds.
  - ↳ **[CT SYNC]** is displayed and the unit reads RDS time automatically.
  - ↳ If no time signal is received, **[NO CT]** is displayed.

### Note

- The accuracy of the transmitted time depends on the RDS station that transmits the time signal.

## 6 Other features

### Set alarm timer

This unit can be used as an alarm clock. You can select **DISC**, **TUNER**, or **USB** as alarm source.

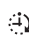
### Note

- Make sure that you have set the time correctly.

- 1 In standby mode, press and hold **SLEEP/TIMER** until **[TIMER SET]**(timer set) scrolls on the display.
  - ↳ **[SELECT SOURCE]** (select source) scrolls on the screen.
- 2 Press **SOURCE** repeatedly to select a source: **DISC**, **USB**, or **TUNER**.
- 3 Press **SLEEP/TIMER** to confirm.
  - ↳ The hour digits are displayed and begin to blink.
- 4 Press **▲ / ▼** repeatedly to set hour; then press **SLEEP/TIMER** again to confirm.
  - ↳ The minute digits are displayed and begin to blink.
- 5 Press **▲ / ▼** to set minute, then press **SLEEP/TIMER** to confirm.
  - ↳ **VOL** (volume) is displayed and begins to blink.
- 6 Press **▲ / ▼** to adjust volume, then press **SLEEP/TIMER** to confirm.
  - ↳ **⊕** is displayed.

---

## Activate/deactivate alarm timer

- 1 In standby mode, press **SLEEP/TIMER** repeatedly to activate or deactivate timer.  
↳ If timer is activated,  is displayed.

### Tip

- Alarm timer is not available in MP3 LINK mode.
- If DISC/USB source is selected, yet no disc is placed or no USB connected, the system switches to the tuner source automatically.

---

## Set sleep timer

- 1 When the unit is turned on, press **SLEEP/TIMER** repeatedly to select a time period (in minutes).  
↳ When sleep timer is activated, **zZ** is displayed.  
↳ To deactivate sleep timer, press **SLEEP/TIMER** again until **zZ** disappears.

---

## Listen to external audio device

You can listen to an external audio device such as MP3 player through this unit.

- 1 Connect the audio device.
  - For audio device with headphone sockets:  
Connect MP3 Link cable to the **MP3 LINK** socket and to the headphone socket on the audio device.
- 2 Select **MP3 LINK** source.
- 3 Play the device.

---

## Listen through headphone

- 1 Plug a headphone into the  socket on the unit.

# 7 Product information

### Note

- Product information is subject to change without prior notice.

---

## Specifications

### Amplifier

Rated Output Power	2X10W RMS
Frequency Response	40Hz-20kHz, ±3dB
Signal to Noise Ratio	>77dB
MP3-Link Input	600mV RMS 22 kohm

### Disc

Laser Type	Semiconductor
Disc Diameter	12cm/8cm
Support Disc	CD-DA, CD-R, CD-RW, MP3-CD, WMA-CD
Audio DAC	24Bits / 44.1kHz
Total Harmonic Distortion	<0.8% (1 kHz)
Frequency Response	4Hz - 20kHz (44.1kHz)
S/N Ratio	>75dBA

## Tuner (FM)

Tuning Range	87.5 - 108MHz
Tuning grid	50 KHz
Sensitivity	< 22 dBf
- Mono, 26dB S/N Ratio	< 43 dBf
- Stereo, 46dB S/N Ratio	
Search Selectivity	>28 dBf
Total Harmonic Distortion	<2%
Signal to Noise Ratio	>55 dB

## Speakers

Speaker Impedance	6 ohm
Speaker Driver	10 cm full range
Sensitivity	>84dB/m/W ± 4dB/m/W

## General information

AC power	220-240V, 50/60 Hz
Operation Power Consumption	10W
Eco Standby Power Consumption	≤0.5W
Headphone Output	2x15mW 32ohm
USB Direct	Version 2.0 HS
Dimensions	
- Main Unit (W × H × D)	200 × 118 × 210 mm
- Speaker Box (W × H × D)	140 × 224 × 144 mm
Weight	
- Main Unit	1.25 kg
- Speaker Box	1.05 kg × 2

## USB playability information

### Compatible USB devices:

- USB flash memory (USB 2.0 or USB1.1)
- USB flash players (USB 2.0 or USB1.1)
- memory cards (requires an additional card reader to work with this unit)

### Supported formats:

- USB or memory file format FAT12, FAT16, FAT32 (sector size: 512 bytes)
- MP3 bit rate (data rate): 32-320 Kbps and variable bit rate
- WMA v9 or earlier
- Directory nesting up to a maximum of 8 levels
- Number of albums/ folders: maximum 99
- Number of tracks/titles: maximum 999
- ID3 tag v2.0 or later
- File name in Unicode UTF8 (maximum length: 64 bytes)

### Unsupported formats:

- Empty albums: an empty album is an album that does not contain MP3/ WMA files, and is not be shown in the display.
- Unsupported file formats are skipped. For example, Word documents (.doc) or MP3 files with extension .dlf are ignored and not played.
- AAC, WAV, PCM audio files
- DRM protected WMA files (.wav, .m4a, .m4p, .mp4, .aac)
- WMA files in Lossless format



---

## Supported MP3 disc formats

- ISO9660, Joliet
- Maximum title number: 512 (depending on file name length)
- Maximum album number: 255
- Supported sampling frequencies: 32 kHz, 44.1kHz, 48 kHz
- Supported Bit-rates: 32~320 (kbps), variable bit rates

# 8 Troubleshooting



### Warning

- Never remove the casing of this apparatus.

To keep the warranty valid, never try to repair the system yourself.

If you encounter problems when using this apparatus, check the following points before requesting service. If the problem remains unsolved, go to the Philips web site ([www.philips.com/welcome](http://www.philips.com/welcome)). When you contact Philips, ensure that the apparatus is nearby and the model number and serial number are available.

### No power

- Ensure that the AC power cord of the unit is connected properly.
- Ensure that there is power at the AC outlet.
- As a power-saving feature, the system switches off automatically 15 minutes after track play reaches the end and no control is operated.

### No sound or poor sound

- Adjust the volume.
- Disconnect the headphones.
- Check that the speakers are connected correctly.
- Check if the stripped speaker wires are clamped.

### No response from the unit

- Disconnect and reconnect the AC power plug, then turn on the unit again.
- As a power-saving feature, the system switches off automatically 15 minutes after track play reaches the end and no control is operated.

### Remote control does not work

- Before you press any function button, first select the correct source with the remote control instead of the main unit.
- Reduce the distance between the remote control and the unit.
- Insert the battery with its polarities (+/– signs) aligned as indicated.
- Replace the battery.
- Aim the remote control directly at the sensor on the front of the unit.

#### **No disc detected**

- Insert a disc.
- Check if the disc is inserted upside down.
- Wait until the moisture condensation at the lens has cleared.
- Replace or clean the disc.
- Use a finalized CD or correct format disc.

#### **Cannot display some files in USB device**

- The number of folders or files in the USB device has exceeded a certain limit. This phenomenon is not a malfunction.
- The formats of these files are not supported.

#### **USB device not supported**

- The USB device is incompatible with the unit. Try another one.

#### **Poor radio reception**

- Increase the distance between the unit and your TV or VCR.
- Fully extend the FM antenna.
- Connect an outdoor FM antenna instead.

#### **Timer does not work**

- Set the clock correctly.
- Switch on the timer.

#### **Clock/timer setting erased**

- Power has been interrupted or the power cord has been disconnected.
- Reset the clock/timer.

