

CD Soundmachine

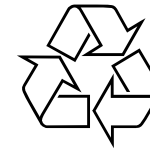
AZ1301
AZ1325

User Manual
Manuel d'utilisation
Manual del usuario
Benutzerhandbuch
Gebruikershandleiding



Remote Control for
AZ1325 model only

Meet Philips at the Internet
<http://www.philips.co>

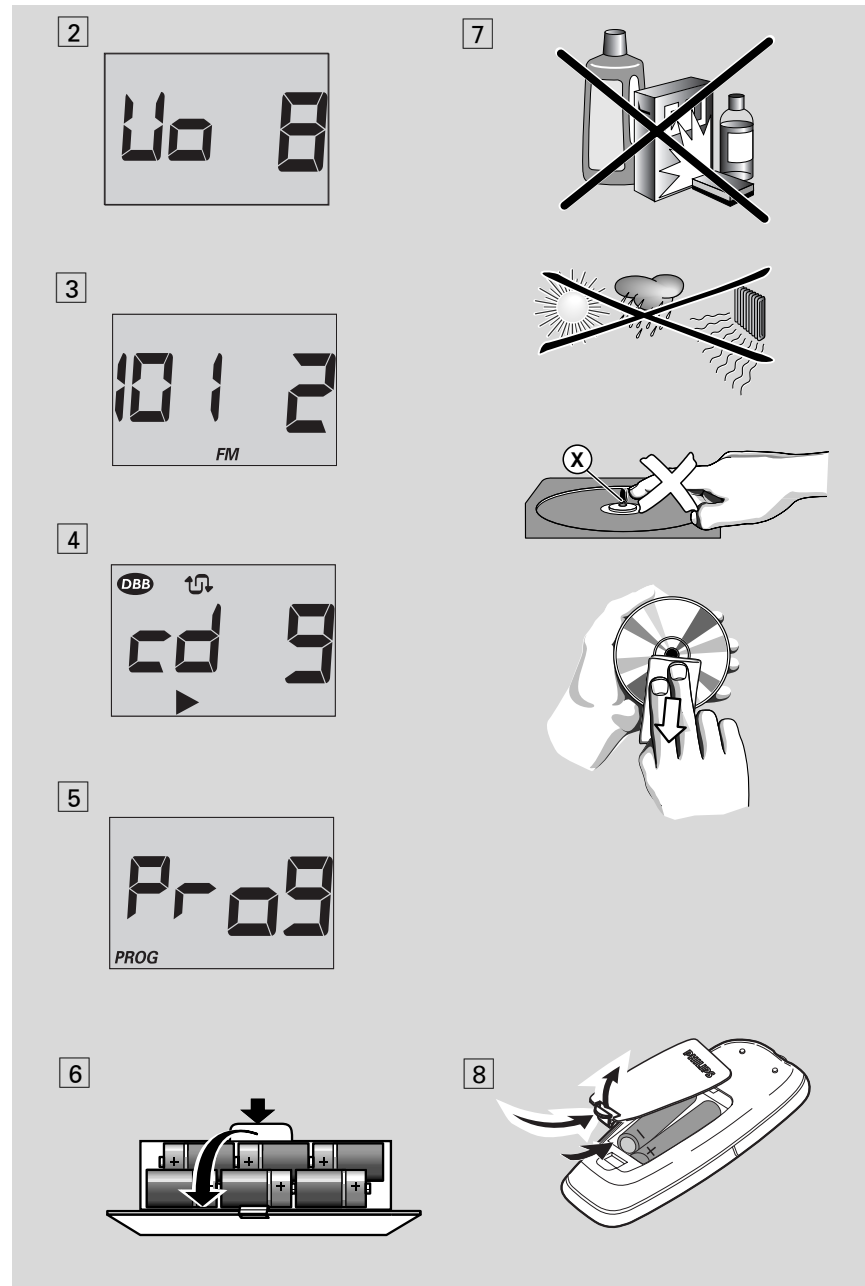
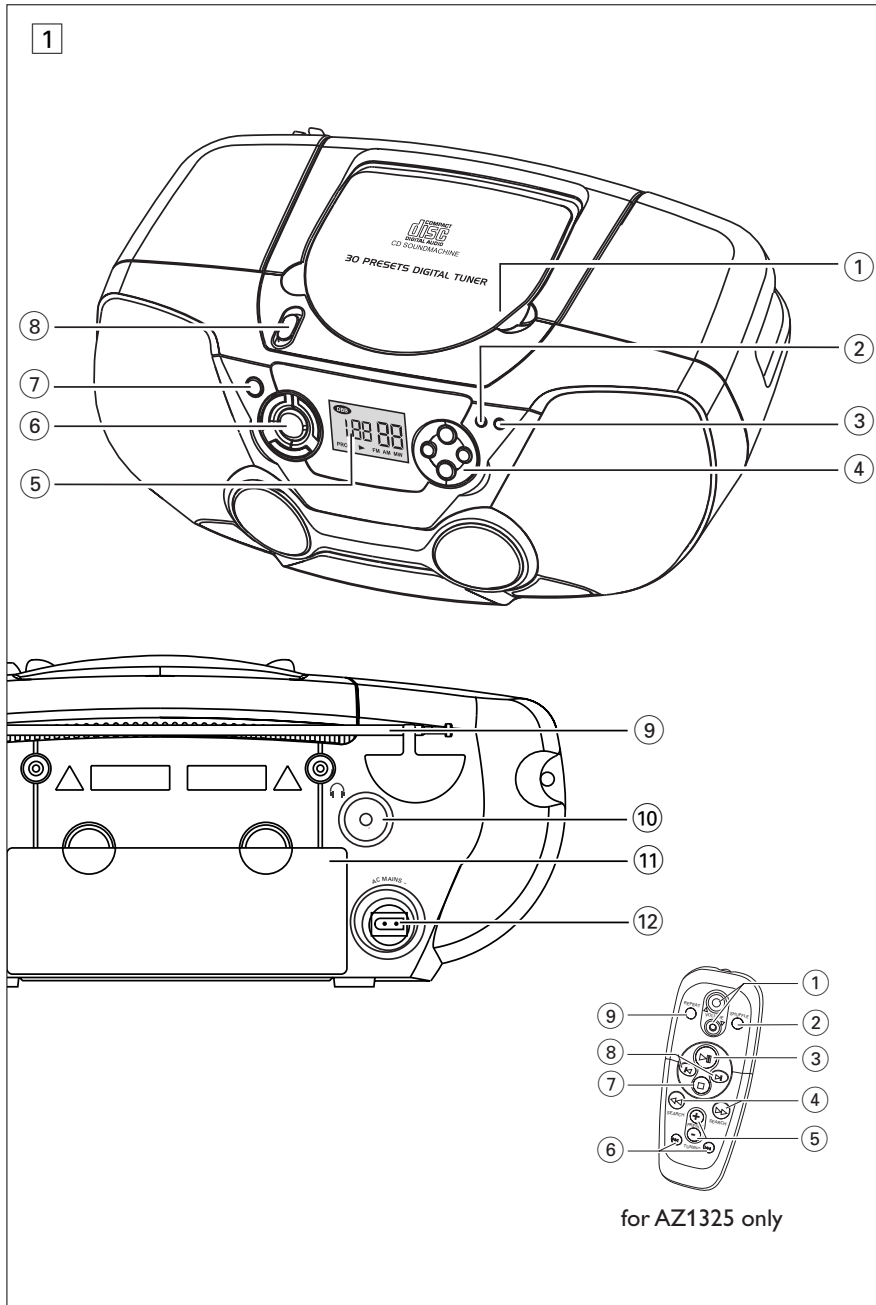


AZ 1301
AZ 1325



PHILIPS





English

ACCESSORIES

- 1 x AC mains lead
- 1 x Remote Control (for **AZ1325** model only)

TOP AND FRONT PANEL (See [1])

- ① **OPEN•CLOSE** – press to open/ close CD door
- ② **PROG**
CD: - programs tracks and reviews the program;
Tuner: - programs preset radio stations.
- ③ **MODE** - selects different play modes: e.g. **REPEAT** or **SHUFFLE** (random) order.
- ④ **VOLUME ▲, ▼** - to adjust volume level.
PRESET +, - (up, down) - selects a preset radio station.
- ⑤ **Display** - shows the status of the set.
- ⑥ **▶II** - starts or pauses CD playback.
■ - to stop playback or erase a CD program.
SEARCH ◀◀, ▶▶
CD: - searches backward and forward within a track;
- skips to the beginning of a current track/
previous/ later track.
RADIO: - (down, up) tunes to radio stations.
- ⑦ **DBB (Dynamic Bass Boost)** - activates a more vivid bass response.
- ⑧ **POWER slider** - selects **CD/ MW / FM / OFF** function and also the power off switch (**OFF**).

BACK PANEL (See [1])

- ⑨ **Telescopic aerial** - improves FM reception.
- ⑩ **🔊** – 3.5 mm stereo headphone jack.
Note: The speakers will be muted when headphones are connected to the set.
- ⑪ **Battery compartment** - for 6 batteries, type **R-14, UM2** or **C-cells**.
- ⑫ **AC MAINS** - inlet for mains lead.

CONTROL

REMOTE CONTROL (for AZ1325 model only)

- ① **VOLUME ▲, ▼** - adjusts volume level.
- ② **SHUFFLE** - plays all CD tracks in random order.
- ③ **▶II** - starts or pauses CD playback.
- ④ **SEARCH ◀◀, ▶▶** - searches backwards/ forwards within a track.
- ⑤ **PRESET +, -** (up, down) - selects a preset radio station.
- ⑥ **TUNING ◀◀, ▶▶** (down, up) - tunes to tuner stations.
- ⑦ **■** - to stop playback;
- erases a CD program.
- ⑧ **◀, ▶** - skips to the beginning of a current track previous/ subsequent track.
- ⑨ **REPEAT** - repeats a track /program/ entire CD.

CAUTION

Use of controls or adjustments or performance of procedures other than herein may result in hazardous radiation exposure or other unsafe operation.

POWER SUPPLY

Whenever convenient, use the AC power supply to conserve battery life. Make sure you remove the power plug from the set and wall outlet before inserting batteries.

Batteries (not included)

- Insert 6 batteries, type **R-14, UM-2** or **C-cells**, (preferably alkaline) with the correct polarity. (See [6])
- **Remote control (AZ1325 model only)**
Insert 2 batteries, type **AAA, R03** or **UM4** (preferably alkaline). (See [8])

POWER SUPPLY

IMPORTANT!

- Incorrect use of batteries can cause electrolyte leakage and will corrode the compartment or cause the batteries to burst.
- Do not mix battery types: e.g. alkaline with carbon zinc. Only use batteries of the same type for the set.
- When inserting new batteries, do not try to mix old batteries with the new ones.
- **Batteries contain chemical substances, so they should be disposed of properly.**

Using AC Power

1. Check if the AC power supply, as shown on the **type plate located on the bottom of the set**, corresponds to your local power supply. If it does not, consult your dealer or service centre.
2. Connect the mains lead to the wall socket.
3. To disconnect the mains supply, unplug the set from the wall socket.

The type plate is located on the bottom of the set.

This set complies with the radio interference requirements of the European Community.

For users in the U.K., please follow the boxed instructions 'Important notes...' on this sheet.

POWER SUPPLY

BASIC FUNCTIONS

Switching on and off and selecting function

1. To switch on, adjust the **POWER slider** to select: **CD, MW (AM), FM** function, and operate the respective function controls.
2. To switch off, adjust the **POWER slider** to select **OFF**.

Note : *The DBB setting, tuner presets and the volume level (maximum to 20) will be retained in the set's memory.*

Adjusting volume and sound (See [2])

1. Adjust the volume with the **VOLUME** controls.
→ Display shows the volume level in number from 0-32.
2. Press **DBB** once or more to select dynamic bass boost on or off.
→ Display: shows **DBB** when activated.

DIGITAL TUNER

DIGITAL TUNER

Tuning to radio stations

1. Adjust the **POWER slider** to **MW** or **FM**.
 - The radio, station frequency, waveband are shown (See [3])
2. Press and hold **SEARCH** or until the frequency in the display starts running.
 - The radio automatically tunes to a station of sufficient reception. Display shows $\mathcal{F} r c h$ during automatic tuning.
3. Repeat step 2 if necessary until you find the desired station.
 - To tune to a weak station, press or briefly and repeatedly until you have found optimal reception.

To improve radio reception:

- For **FM**, extend, incline and turn the telescopic aerial. Reduce its length if the signal is too strong.
- For **MW**, the set uses a built-in aerial. Direct this aerial by turning the whole set.

Programming radio stations

You can store up to a total of 30 radio stations (20 FM and 10 MW) in the memory, manually or automatically (Autostore).

DIGITAL TUNER

Manual programming

1. Tune to your desired station (see **Tuning to radio stations**).
2. Press **PROG** to activate programming.
 - **PROG** flashes.
3. Press **PRESET + / -** once or more to select a preset number.
 - **Remote control (AZ1325 models only)**: Press **PRESET + / -** once or more to select a preset station.
4. Press **PROG** to confirm.
5. Repeat steps 1-4 to store other stations.

Note : You can erase a preset station by storing another frequency in its place.

Autostore

Autostore automatically starts programming radio stations from preset 1. Available stations are programmed in order if the station with sufficient reception strength. Any previous presets e.g. manually programmed will be erased.

- Press **PROG** for 2 seconds or more to activate autostore programming.
 - The display shows $\mathcal{R} U \mathcal{L} \mathcal{D}$, **PROG** blinks, followed by the radio station details when stored.

After all stations are stored, the first preset station will then automatically play.

To listen to a preset station

- Press the **PRESET + , =** buttons once or more until the desired preset station is displayed.
- Remote control (**AZ1325 models only**): optionally, press **PRESET + , =** to select your preset station.

CD PLAYER

Playing a CD

This CD player plays Audio Discs including CD-Recordables and CD-Rewritables.

1. Adjust the **POWER slider** to **CD**.
 - $\mathcal{C} P E \mathcal{D}$ is displayed.
2. Open the CD Door.
 - $\mathcal{C} P E \mathcal{D}$ if no CD inserted/ CD dirty, incorrectly inserted or damaged.
 - $\mathcal{C} F c \mathcal{D}$ if you have inserted a non-finalized CD-R(W).
4. Press **▶II** to start playback.
5. To pause playback press **▶II**. Press **▶II** again to resume play.
 - Display: flashes during pause.
6. To stop CD playback, press the **■** button.

Note : CD play will also stop when:

- the CD door is opened
- the CD has reached the end
- you select **MW / FM** function.

Selecting a different track

- Press **SEARCH** or once or repeatedly to select your track.
- In the pause / stop position, press **▶II** to start playback.

CD PLAYER

Finding a passage within a track

1. Press and hold **SEARCH** or .
 - The CD is played at high speed and low volume.
 2. When you recognize the passage you want, release or to resume normal playback.
- Note* : During a CD program or if **SHUFFLE/ REPEAT** active, searching is only possible within a track.

Different play modes: SHUFFLE and REPEAT

You can select and change the various play modes before or during playback, and combine the modes with PROG. (See [4])

- (**SHUFFLE**) - tracks of the entire CD/ program are played in random order
- (**SHUFFLE REPEAT ALL**) - to repeat the entire CD/ program continuously in random order
- (**REPEAT ALL**) - repeats the entire CD/ program
- (**REPEAT**) - plays the current track continuously

1. To select play mode, press **MODE** once or more.
2. Press **▶II** to start playback if in the stop position.
3. To select normal playback, press **MODE** repeatedly until the various modes are no longer displayed.
 - You can also press the **■** button to cancel your play mode.

CD PLAYER

Programming track numbers

In the stop position, select and store your CD tracks in the desired sequence. Up to 20 tracks can be stored in the memory.

1. Press **SEARCH** ◀◀ or ▶▶ on the set to select your desired track number.
2. Press **PROG**.
 - Display: **PROG**, *P r o g* briefly and your selected track number. (See [5])
 - If you attempt to program without first selecting a track number, *n o S E* is shown.
3. Repeat steps 1-2 to select and store all desired tracks.
 - Display: *F U L L* if you try to program more than 20 tracks.

Reviewing the program

In the stop position, press and hold **PROG** until the display shows all your stored track numbers in sequence.

Erasing a program

You can erase the program by either:

- pressing ■ twice
 - *E L r* is displayed briefly and **PROG** disappears.
- You select **MW** / **FM** function.
- Open the CD door.

SAFETY & MAINTENANCE

SAFETY & MAINTENANCE INFORMATION

(See [7])

- Don't expose the set, batteries, CDs to humidity, rain, sand or excessive heat.
- Clean the set with a dry cloth. Don't use any cleaning agents containing alcohol, ammonia, benzene or abrasives as these may harm the set.
- Place the set on a hard and flat surface so that the system does not tilt. Make sure there is good ventilation to prevent the set overheating.
- The mechanical parts of the set contain self-lubricating bearings and must not be oiled or lubricated.

CD player and CD handling

- If the CD player cannot read CDs correctly, use a cleaning CD to clean the lens before taking the set to repair.
- The lens of the CD player should never be touched!
- Sudden changes in the surrounding temperature can cause condensation on the lens of your CD player. Playing a CD is then not possible. Do not attempt to clean the lens but leave the set in a warm environment until the moisture evaporates.
- Always close the CD door to avoid dust on the lens.
- To clean the CD, wipe in a straight line from the centre towards the edge using a soft, lint-free cloth. Do not use cleaning agents as they may damage the disc.
- *Never* write on a CD or attach any stickers to it.

TROUBLESHOOTING

If a fault occurs, first check the points listed below before taking the set for repair. If you are unable to remedy a problem by following these hints, consult your dealer or service centre.

WARNING: *Do not open the set as there is a risk of electric shock! Under no circumstances should you try to repair the set yourself, as this will invalidate the guarantee.*

No sound /power

- *Volume not adjusted*
- Adjust the **VOLUME**
- *Mains lead not securely connected*
- Connect the AC mains lead properly
- *Batteries exhausted/ incorrectly inserted*
- Insert (fresh) batteries correctly

Severe radio hum or noise

- *Electrical interference: set too close to TV, VCR or computer*
- Move the set to increase the distance

Poor radio reception

- *Weak radio signal*
- **FM**: Adjust the FM telescopic aerial

n o c d indication

- *CD badly scratched or dirty*
- Replace/ clean CD, see Maintenance
- *Laser lens steamed up*
- Wait until lens has cleared

n F c d indication

- *CD-R(W) is blank/ not finalized*
- Use a finalized CD-R(W)

d R L R indication

- *CD contains non-audio files*
- Press **SEARCH** ◀◀ or ▶▶ once or more to skip to a CD audio track, instead of the data file

The CD skips tracks

- *CD damaged or dirty*
- Replace or clean CD
- *SHUFFLE or PROG is active*
- Switch off **SHUFFLE** / **PROG**

Remote control does not function properly (for AZ1325 model only)

- *Batteries exhausted/ incorrectly inserted*
- Insert (fresh) batteries correctly
- *Distance/ angle between the set too large*
- Reduce the distance/ angle

Environmental information

We have done our best to reduce the packaging and make it easy to separate into 3 materials: cardboard, expandable polystyrene, polyethylene.

Your set consists of materials which can be recycled if disassembled by a specialized company. Please observe the local regulations regarding the disposal of packaging, exhausted batteries and old equipment.

Important notes for users in the U.K.

Mains plug

This apparatus is fitted with an approved 13 Amp plug. To change a fuse in this type of plug proceed as follows:

1. Remove fuse cover and fuse.
2. Fix new fuse which should be a BS1362 5 Amp, A.S.T.A. or BSI approved type.
3. Refit the fuse cover.

If the fitted plug is not suitable for your socket outlets, it should be cut off and an appropriate plug fitted in its place. If the mains plug contains a fuse, this should have a value of 5 Amp. If a plug without a fuse is used, the fuse at the distribution board should not be greater than 5 Amp.

Note: The severed plug must be disposed of to avoid a possible shock hazard should it be inserted into a 13 Amp socket elsewhere.

How to connect a plug

The wires in the mains lead are coloured with the following code: blue = neutral (N), brown = live (L). As these colours may not correspond with the colour markings identifying the terminals in your plug, proceed as follows:

- Connect the blue wire to the terminal marked N or coloured black.
- Connect the brown wire to the terminal marked L or coloured red.
- Do not connect either wire to the earth terminal in the plug, marked E (or e) or coloured green (or green and yellow).

Before replacing the plug cover, make certain that the cord grip is clamped over the sheath of the lead - not simply over the two wires.

Copyright in the U.K.

Recording and playback of material may require consent. See Copyright Act 1956 and The Performer's Protection Acts 1958 to 1972.