



Specifications: FPS20-8

System Type	
	2 x 50 mm (2.0 in) Stereo high-directivity focused sound, voice coil/8 Ohm direct
Frequency Response (-3 dB) ¹	250 Hz - 16.2 kHz
Frequency Response (-6 dB) ¹	230 Hz - 17.3 kHz
Low Frequency (-10 dB) ¹	210 Hz - 18.7 kHz
Max. Program Power	50 W
Max. Continuous Power RMS ²	25 W
Max. SPL dB @ .5M	108 dB
Sensitivity dB @ 1W/0.5M ³	91 dB
Impedance	8 Ohm (nominal value)
Coverage Angle (-6 dB)	50° @ 2 kHz
Directivity Factor (Q)	12.63 (100 Hz to 10 kHz averaged) 27.35 @ 2 kHz
Directivity Index (DI)	9.31 dB (100 Hz to 10 kHz averaged) 14.37 dB @ 2 kHz
Transducers	2 x 50 mm (2.0 in) Wide-range, fiber cone, rubber surround
Inputs	3 M (10.0 ft) Hardwire lead, 4 conductor
Dome Material	Custom molded PETG clear dome
Enclosure Material	Molded Plastic ABS driver housing
Colors	Clear, custom translucent & opaque colors available
Dome Diameter	514 mm (20.25 in)
Total Height	223 mm (8.75 in)
Weight	1.70 kG (3.75 lbs)
Accessories	
Optional	SoundSleeves™ & Wall Mount Bracket

Key Features

- Patented Dual-Parabolic™ dispersion control technology provides a dramatic hot spot with crisp stereo separation.
- 514 mm (20.25 in) Custom-molded PETG clear polymer dome.
- Twin 50 mm (2.0 in) drivers for stereo music & messaging.
- Patented ZeroReflection™ enclosure technology for accurate sound reproduction.
- Narrow 50° coverage angle for sharp focus.
- Single point balanced mounting for easier and cleaner looking installs.
- Shipped fully assembled; bulk shipping available upon customer request.
- Optional wall-mount bracket available.
- Custom colors and printed decorative and promotional dome covers optional.

Applications

Only 20.25" in diameter, SoundTube's FPS20 delivers a targeted audio footprint for a single listener. Tight coverage, wide-range stereo sound and a smaller dome make the FPS20 the ideal choice for focused audio applications, including kiosks, P.O.P. displays, shows, plasma displays or anywhere the visual impact must be minimized.

Patented Dual-Parabolic™ Technology

SoundTube Entertainment is constantly developing new technologies that enhance audio product performance. SoundTube Entertainment's innovations are protected by multiple U.S. & international patents, which explicitly cover SoundTube dome, enclosure and dispersion technologies. SoundTube Entertainment actively defends its patents in order to protect SoundTube resellers and end users.

Technical Data

SoundTube Entertainment strives to provide complete and effective technical information and data to dealers, engineers and designers. All data are available from SoundTube Entertainment, or at www.soundtube.com.

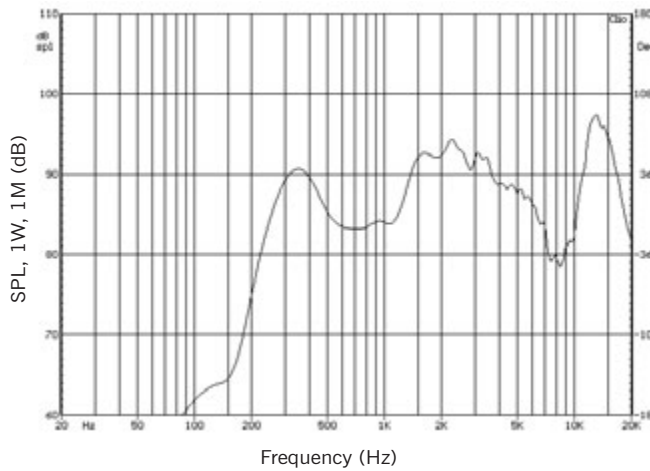
¹ Frequency response is measured in full space.

² Continuous power rating, EIA-426-B test.

³ 2.83 Volts at a distance of 0.5 meters.

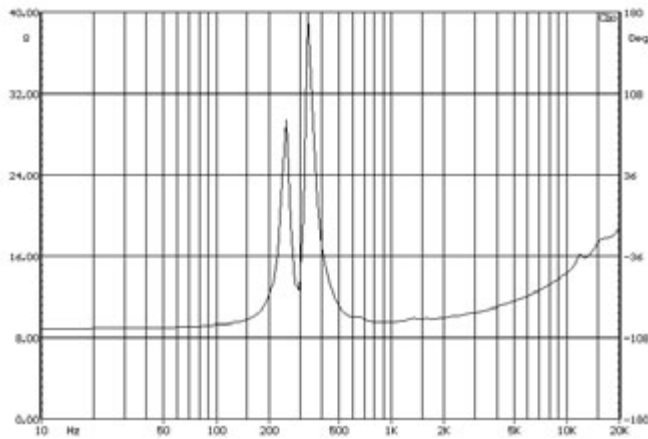
SoundTube continually develops new product innovations and improvements. Updates to existing products without prior notice are an example of SoundTube's drive for constant improvement.

Frequency Response (unequalized)

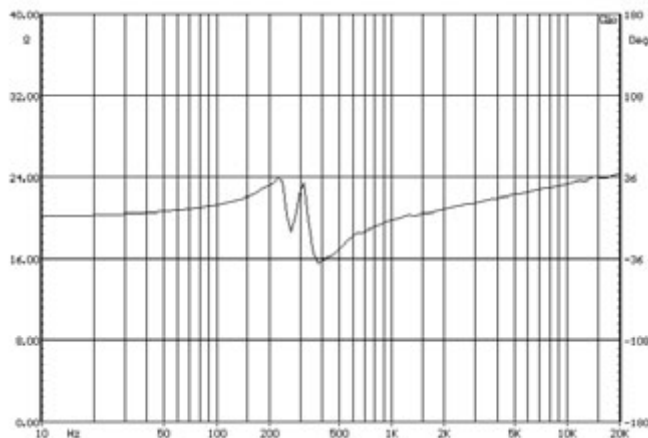


Frequency Response on-axis in full space (4π).

Impedance Response



Phase Response



Technical data and downloads include:

EASE™ data – 3-D polar plots

Tech Sheets – Technical information and architectural specs for system engineers.

Data Acquisition

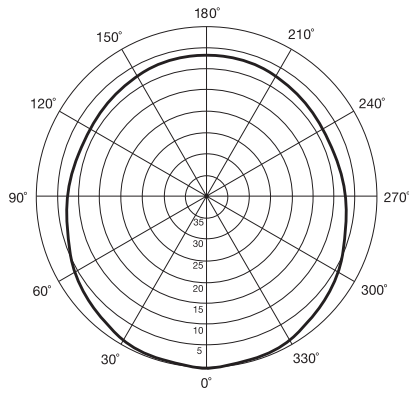
All performance data acquired at SoundTube’s Technical Measurement Center (TMC) are analyzed using a variety of standard measurement techniques, including Maximum Length Sequence (MLS) and Time Delay Spectrometry (TDS). Performance, development and data acquisitions tools include: Gold Line TEF 20 Suite, CLIO, LMS, LEAP, and proprietary modeling software.

Data for Other SoundTube Products

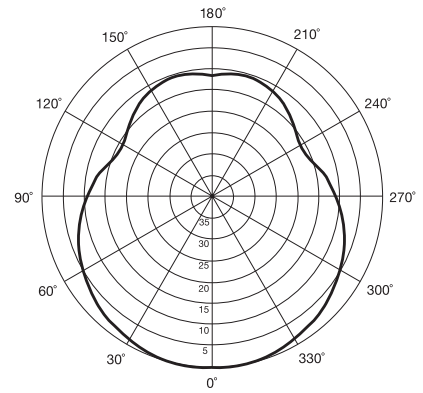
Also available: Sales & installation information for all SoundTube speaker systems, including open-ceiling, in-ceiling, surface-mount, in-ground and sound-focusing speakers.

Horizontal One Octave Polars

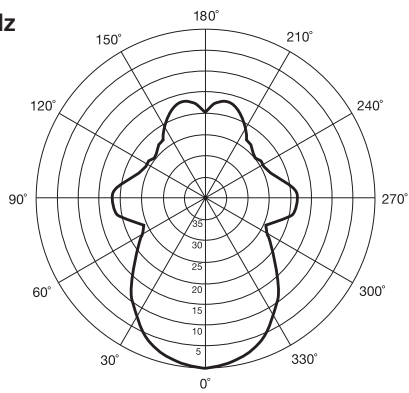
250 Hz



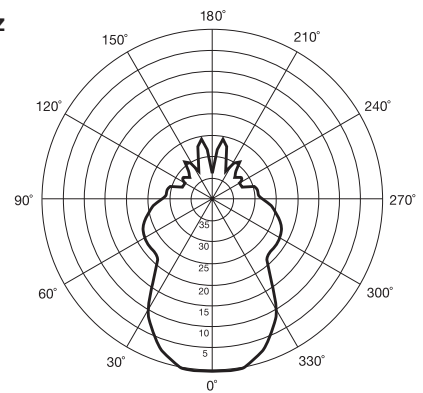
500 Hz



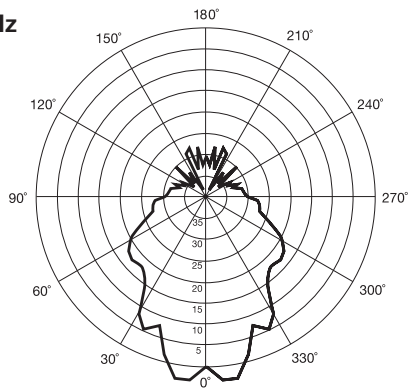
1000 Hz



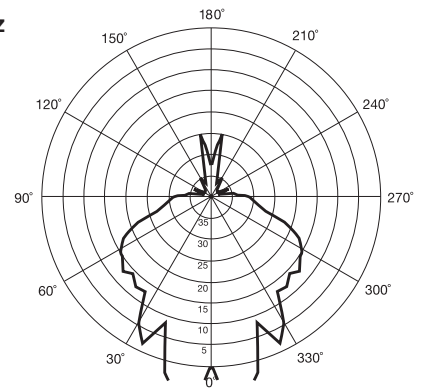
2000 Hz



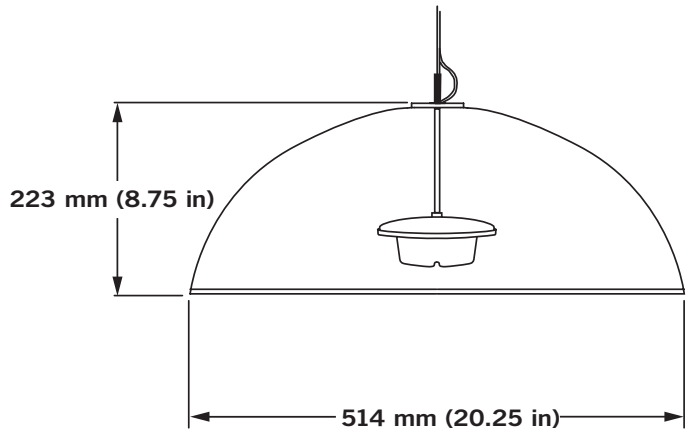
4000 Hz



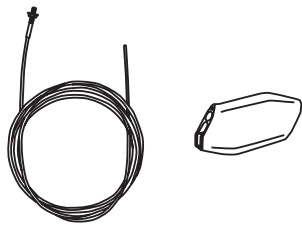
8000 Hz



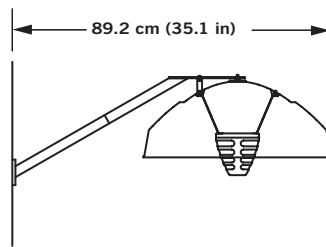
Mechanical Drawings



Optional Accessories



HC20 20' Hanging Cable with SpeedClamp™



WB3 Wall Mount Bracket



CPSU Custom Printed SoundSleeve™

Architectural Specifications

The loudspeaker shall consist of two 50 mm (2.0 in) transducers with a voice coil diameter of 25 mm (1.0 in). Sound waves from the transducers shall be reflected from a 514 mm (20.25 in) Dual-Parabolic™ sound dome.

Performance specifications of a typical production unit shall be as follows: Usable frequency response shall extend from 210 Hz - 18.7 kHz. The loudspeaker shall be available in 8 Ohm impedance mode. Rated power capacity of the components and network shall be at least 25 Watts RMS.

The dome shall be constructed of custom-molded PETG with an ABS driver enclosure. The transducers shall have a fiber cone with butyl rubber surround. The grille shall be constructed of heat-resistant ABS plastic material. The overall dome and cabinet dimensions shall be no more than 514 mm (20.25 in) in diameter by 223 mm (8.75 in) in height and weigh no more than 1.70 kG (3.75 lbs).

Installation for the FPS30 shall be by single point hanging aircraft cable (AC-HC20) with a 1/4 -20 stud into a threaded insert on dome apex. Additional accessories include Wall Mount Bracket (AC-WB3) and Threaded Hanging Rod (AC-TR36). Wall bracket is constructed of cold rolled steel. The hardwired input connectors shall be tinned, 24-gauge, 4-conductor, color-coded wires. Optional decorative SoundSleeve™ available for in-store marketing.

SoundTube Entertainment

6430 North Business Park Loop
 Park City, Utah 84098
 Phone 435.647.9555
 Fax 435.647.9666
 Toll Free 800.647.TUBE
 www.soundtube.com

All SoundTube products come with a 5-year limited warranty.

(not shown)

AC-TR36 – Threaded Hanging Rod **AC-FE1** – Forged Eyebolt

SoundTube Entertainment manufactures a complete line of speakers for:

Open-Ceiling • In-Ceiling • Surface-Mount • Outdoor • Sound-Focusing

All SoundTube products are designed and engineered in the USA.